

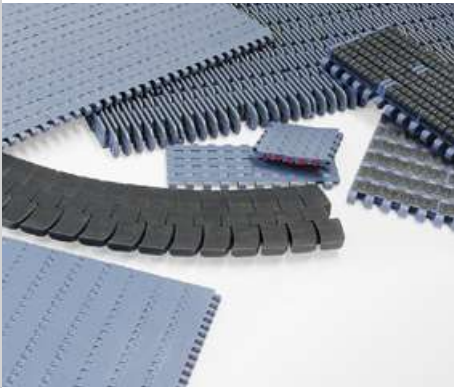
Metric  
Version

CONVEYOR COMPONENTS AND MODULAR SOLUTIONS.



***Movex***<sup>®</sup>  
PRODUCT CATALOG





## Our **HISTORY**, the basis for our **FUTURE**.

Movex® is a dynamic and flexible business reality that have been active in the industrial production for over ten years and is reaching market leadership as a reliable and precise supplier, planning the future without losing sight of its history and its values.

In the headquarters Movex® designs and manufactures high quality components for the beverage, packaging, food, logistics, automotive and automation industries.

Movex® meets your needs for standard and custom made products in a dynamic and responsive way, ensuring the best performance to satisfy our customers requirements.

A top service level is the goal of a qualified Engineering and Sales team with the objective of presenting Movex® as a supplier of excellence to all clients.

Through a distribution/network which spans the globe, Movex® offers technical support and a careful after-sales service, always at your disposal.

### ABOUT US

>200

EMPLOYEES AROUND  
THE WORLD

>30%

ANNUAL GROWTH RATE

Reference year 2021

>6.000

SATISFIED CUSTOMERS





Logistics center  
Via della Repubblica 21/E  
Castelli calepio (BG) - ITALY



## MISSION

Creating value through development of ideas, supporting our partners with professionalism flexibility and effectiveness.



## VISION

Reaching market leadership as a reliable and precise supplier. Planning the future without losing sight of our history and the values that allow our growth.



Headquarters  
Viale Industria, 22  
Castelli calepio (BG) - ITALY



## ABOUT PRODUCTS



>35.000  
PRODUCTS AVAILABLE

>12.000  
NEW ARTICLE NUMBERS

Compared to the previous catalog version

<24 h  
TIME FOR PROCESSING  
YOUR REQUESTS

## Movex World

Three simple ways to keep in touch.



### Website

Consult our catalogs and stay updated on our latest news.

[www.movexii.com](http://www.movexii.com)

### Social media

News, curiosity and info about us and our products.

Follow us   

### Movex App

The easiest way to keep up to date on our events, projects.

Download it free!



**SYNERGIA**  
CORPORATE SERVICE

Tailor-made support  
for your business.



TECHNICAL  
SUPPORT



CONSULTING  
SERVICE



FAST  
ASSISTANCE



DATA  
COLLECTION

+39 035 8359711  
synergia@movexii.com

## Line survey, analysis and monitoring

THE ADVANTAGE OF BEING ALWAYS ON THE BALL.

Frequently, replacement of conveyor components are only executed when line performances starts decreasing, causing severe downtimes and loss of efficiency.

While you stay focused on your priorities, we will collect data and make an ideal plan to keep your line 100% efficient.

## Full lifecycle product support

ENJOY PEACE OF MIND WITH A PREVENTIVE ACTION.

With SYNERGIA service you can easy identify the line conditions and determine an optimized replacement schedule.

- PLAN INTERVENTION ACTIONS • CORRECT REPLACEMENT PARTS
- ELIMINATE UNEXPECTED DOWNTIMES • SAVE ON TOTAL COST

## Why choose us?

TELL US HOW WE CAN HELP.

By using SYNERGIA, your company will have the chance to work with a professional team of experts, specialized in conveyor components, able to help you from remote desktop or directly on site.

- ENGINEER • MECHANIC • TECHNICIAN • WELDER

CONTACT US AND CHOOSE YOUR SYNERGIA PLAN  
THAT BEST SUITS YOUR NEEDS.



# Priority service

Even faster and responsive,  
when you need it.

Products in stock are available to ship  
within 24 Hours of the receipt of order.
















>10.000 ARTICLES NUMBER  
READY TO DELIVERY

Request a free quotation!

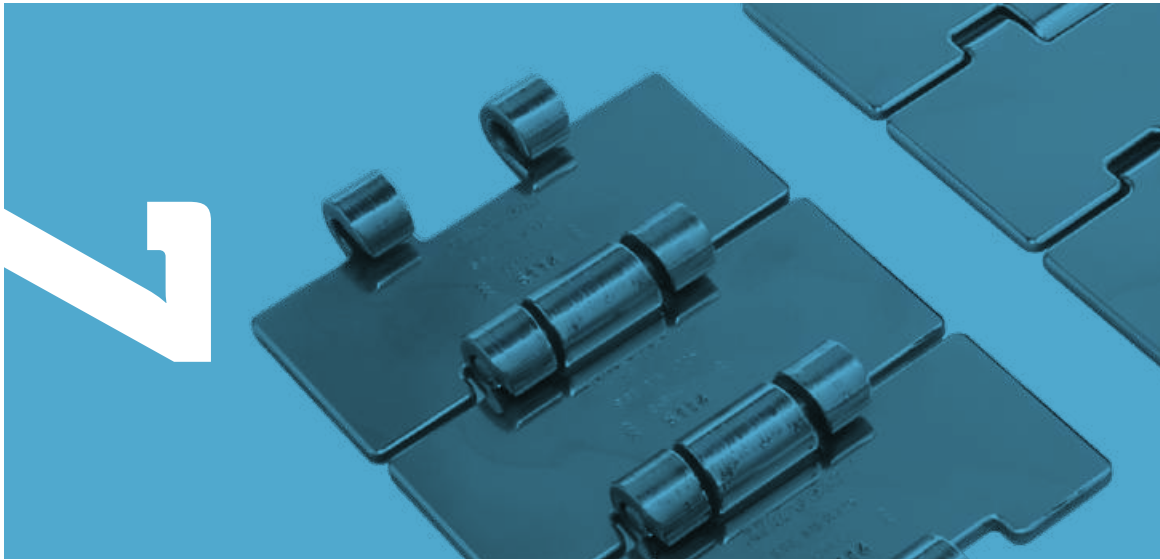
Priority service is optional,  
available on request

# Table of contents






















## Sommario / Inhaltsverzeichnis

|  |                                     |               |
|--|-------------------------------------|---------------|
|    | Steel chains                        | Pag 7         |
|    | Plastic chains                      | Pag 27        |
|    | Chain sprockets and Turning disks   | Pag 77 / 102  |
|    | Chain idler wheels                  | Pag 107       |
|    | Magnetic, Tab & Bevel corner tracks | Pag 113       |
|    | Modular belts and NoseBars          | Pag 179 / 270 |
|  | Modular solutions                   | Pag 285       |
|  | Belt sprockets                      | Pag 311       |
|  | Extruded profiles                   | Pag 341       |
|  | Return components                   | Pag 435       |
|  | Conveyor components                 | Pag 447       |
|  | Conveyor support components         | Pag 513       |
|  | Bearing supports                    | Pag 529       |
|  | Leveling feet                       | Pag 557       |
|  | Materials                           | Pag 645       |





# Steel chains

|   |   |  |  |  |  |
|---|---|--|--|--|--|
| <b>812/815</b><br><br>Pag 8/9      | <b>812 GT/815 GT</b><br><br>Pag 10 | <b>815 TAB GT</b><br><br>Pag 11 | <b>815 MINI</b><br><br>Pag 12     | <b>815 MINI GT</b><br><br>Pag 12   | <b>802/805</b><br><br>Pag 13  |
| <b>802 GT/805 GT</b><br><br>Pag 14 | <b>8157</b><br><br>Pag 15          | <b>8157 GT</b><br><br>Pag 15    | <b>512</b><br><br>Pag 16          | <b>881 M</b><br><br>Pag 17/18      | <b>881 M GT</b><br><br>Pag 19 |
| <b>881 TAB</b><br><br>Pag 20     | <b>881 B</b><br><br>Pag 21       | <b>8811 TAB</b><br><br>Pag 22 | <b>8811 R TAB</b><br><br>Pag 23 | <b>8811 TAB GT</b><br><br>Pag 23 | <b>8811 B</b><br><br>Pag 24 |
| <b>8857 M</b><br><br>Pag 25      | <b>8857 M GT</b><br><br>Pag 25   | <b>1874 TAB</b><br><br>Pag 26 |  |  |  |

Material Info:

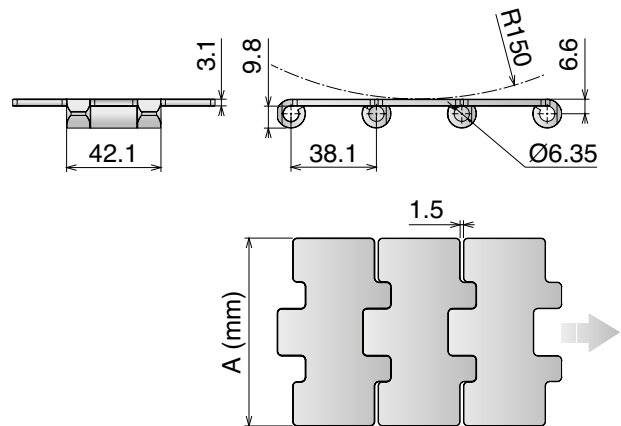


pg. 662>665

## 815 Catena rettilinea Straight running chain / Geradegängige Scharnierbandkette

Delivery: **Easy** **Standard**

Pins: Martensitic 1.4057 | Backflex radius min.: 150 mm

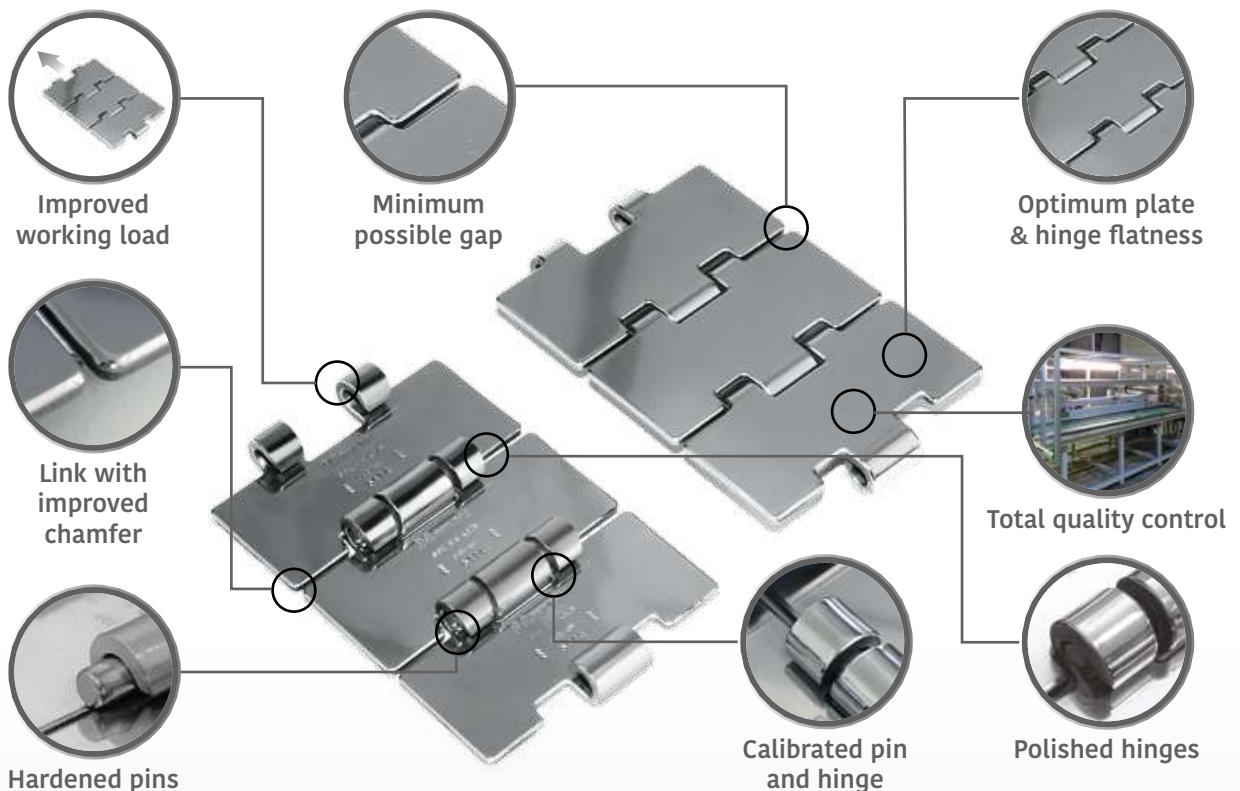


| Article-Nr. | Ref. | A (Plate Width) mm | Weight kg/m | Surface finish µm | Surface Flatness mm | Polished Hinge eyes | Max working load (N) | Plate Thickness mm |
|-------------|------|--------------------|-------------|-------------------|---------------------|---------------------|----------------------|--------------------|
|-------------|------|--------------------|-------------|-------------------|---------------------|---------------------|----------------------|--------------------|

### SSM Max Speed - Hardened pins

|          |              |      |      |     |      |     |      |     |
|----------|--------------|------|------|-----|------|-----|------|-----|
| 10010302 | SSM 815 K325 | 82,5 | 2,55 | 0,2 | 0,08 | YES | 6000 | 3,1 |
| 10010303 | SSM 815 K330 | 83,8 | 2,59 | 0,2 | 0,08 | YES |      |     |

## Max Speed High Performance



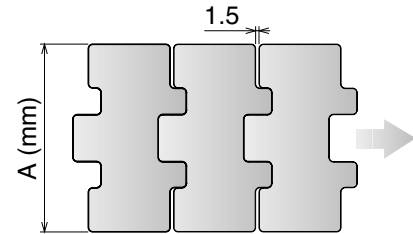
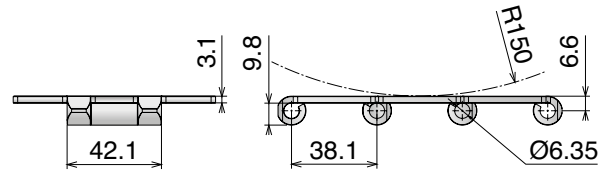


## 812/815

Catena rettilinea  
Straight running chain / Geradegängige Scharnierbandkette

Delivery: **Easy** **Standard**

Pins: Martensitic 1.4057 | Backflex radius min.: 150 mm



| Article-Nr. | Ref. | A (Plate Width) mm | Weight kg/m | Surface finish µm | Surface Flatness mm | Polished Hinge eyes | Max working load (N) | Plate Thickness mm |
|-------------|------|--------------------|-------------|-------------------|---------------------|---------------------|----------------------|--------------------|
|-------------|------|--------------------|-------------|-------------------|---------------------|---------------------|----------------------|--------------------|

### SS Ferritic Stainless Steel (1.4016)

|          |             |       |      |     |      |    |      |     |
|----------|-------------|-------|------|-----|------|----|------|-----|
| 10010216 | SS 812 K300 | 76,2  | 2,50 | 0,5 | 0,15 | NO | 5400 | 3,1 |
| 10010202 | SS 812 K325 | 82,5  | 2,55 | 0,5 | 0,15 | NO |      |     |
| 10010203 | SS 812 K330 | 83,8  | 2,59 | 0,5 | 0,15 | NO |      |     |
| 10010204 | SS 812 K350 | 88,9  | 2,69 | 0,5 | 0,15 | NO |      |     |
| 10010214 | SS 812 K400 | 101,6 | 3,00 | 0,5 | 0,15 | NO |      |     |
| 10010205 | SS 812 K450 | 114,3 | 3,25 | 0,5 | 0,20 | NO |      |     |
| 10010206 | SS 812 K600 | 152,4 | 4,15 | 0,5 | 0,30 | NO |      |     |
| 10010207 | SS 812 K750 | 190,5 | 5,05 | 0,5 | 0,30 | NO |      |     |

### SSE Specially treated Ferritic Stainless Steel (1.4589) - Hardened pins

|          |              |       |      |     |      |     |      |     |
|----------|--------------|-------|------|-----|------|-----|------|-----|
| 10010102 | SSE 815 K325 | 82,5  | 2,55 | 0,3 | 0,10 | YES | 6000 | 3,1 |
| 10010103 | SSE 815 K330 | 83,8  | 2,59 | 0,3 | 0,10 | YES |      |     |
| 10010104 | SSE 815 K350 | 88,9  | 2,69 | 0,3 | 0,15 | NO  |      |     |
| 10010114 | SSE 815 K400 | 101,6 | 3,00 | 0,3 | 0,15 | NO  |      |     |
| 10010105 | SSE 815 K450 | 114,3 | 3,25 | 0,3 | 0,20 | NO  |      |     |
| 10010106 | SSE 815 K600 | 152,4 | 4,15 | 0,3 | 0,30 | NO  |      |     |
| 10010107 | SSE 815 K750 | 190,5 | 5,05 | 0,3 | 0,30 | NO  |      |     |

### SSA Austenitic Stainless Steel (AISI 304) - Austenitic pin

|          |              |       |      |     |      |    |      |     |
|----------|--------------|-------|------|-----|------|----|------|-----|
| 10010402 | SSA 815 K325 | 82,5  | 2,55 | 0,5 | 0,15 | NO | 5300 | 3,1 |
| 10010403 | SSA 815 K330 | 83,8  | 2,59 | 0,5 | 0,15 | NO |      |     |
| 10010404 | SSA 815 K350 | 88,9  | 2,69 | 0,5 | 0,15 | NO |      |     |
| 10010405 | SSA 815 K450 | 114,3 | 3,25 | 0,5 | 0,20 | NO |      |     |
| 10010406 | SSA 815 K600 | 152,4 | 4,15 | 0,5 | 0,30 | NO |      |     |
| 10010407 | SSA 815 K750 | 190,5 | 5,05 | 0,5 | 0,30 | NO |      |     |

# 812 GT/815 GT

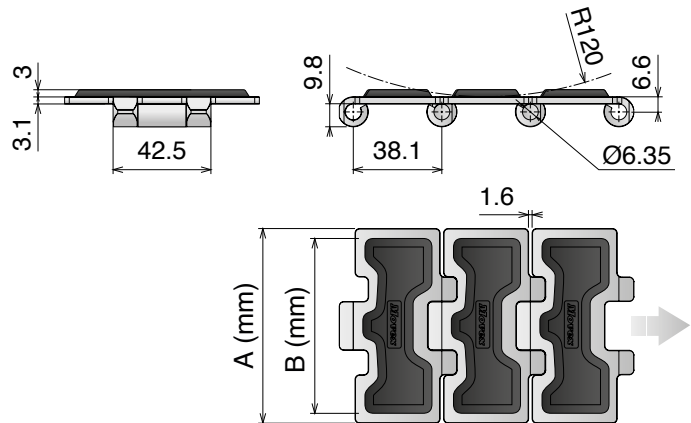
Catene in acciaio / Steel chains / Scharnierbandketten aus Edelstahl

## 812 GT/815 GT

Catena rettilinea  
Straight running chain / Geradegängige Scharnierbandkette

Delivery: **Easy** **Standard**

Pins: Martensitic 1.4057 | Backflex radius min.: 120 mm



| Article-Nr. | Ref. | A (Plate Width) mm | B (Rubber Width) mm | Weight kg/m | Max working load (N) | Plate/Rubber Thickness mm |
|-------------|------|--------------------|---------------------|-------------|----------------------|---------------------------|
|-------------|------|--------------------|---------------------|-------------|----------------------|---------------------------|

### SS Ferritic Stainless Steel (1.4016)

|                 |                       |      |    |      |      |                    |
|-----------------|-----------------------|------|----|------|------|--------------------|
| <b>10020202</b> | <b>SS 812 GT K325</b> | 82,5 | 75 | 2,80 | 5400 | Plate 3,1 Rubber 3 |
|-----------------|-----------------------|------|----|------|------|--------------------|

### SSE Specially treated Ferritic Stainless Steel (1.4589) - Hardened pins

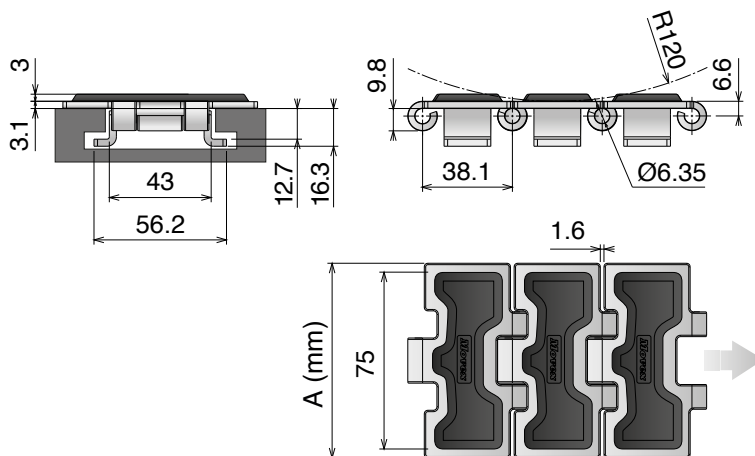
|                 |                        |       |     |      |      |                       |
|-----------------|------------------------|-------|-----|------|------|-----------------------|
| <b>10020102</b> | <b>SSE 815 GT K325</b> | 82,5  | 75  | 2,80 | 6000 | Plate 3,1<br>Rubber 3 |
| <b>10020105</b> | <b>SSE 815 GT K450</b> | 114,3 | 107 | 3,55 |      |                       |
| <b>10020107</b> | <b>SSE 815 GT K750</b> | 190,5 | 140 | 5,55 |      |                       |

## 815 TAB GT

Catena rettilinea  
Straight running chain / Geradegängige Schmierbandkette

Delivery: **Easy** Standard

Pins: Martensitic 1.4057 | Backflex radius min.: 120 mm



**TAB SYSTEM**

10 feet  
3.048 m

80 links

78-79-93/108

pg. 662->665

| Article-Nr. | Ref. | A (Plate Width) mm | Weight kg/m | Max working load (N) | Plate/Rubber Thickness mm |
|-------------|------|--------------------|-------------|----------------------|---------------------------|
|-------------|------|--------------------|-------------|----------------------|---------------------------|

**SSE Specially treated Ferritic Stainless Steel (1.4589) - Hardened pins**

|          |                     |      |      |      |                    |
|----------|---------------------|------|------|------|--------------------|
| 10200102 | SSE 815 TAB GT K325 | 82,5 | 3,40 | 6000 | Plate 3,1 Rubber 3 |
|----------|---------------------|------|------|------|--------------------|

# 815 MINI-815 MINI GT

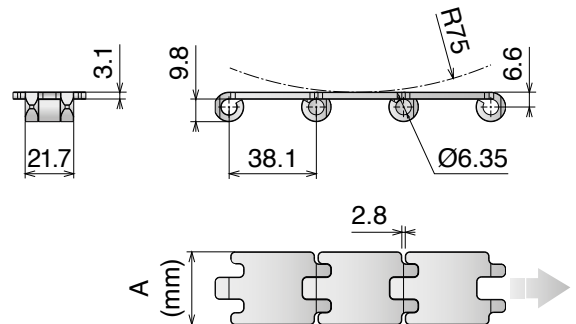
Catene in acciaio / Steel chains / Scharnierbandketten aus Edelstahl

## 815 MINI

Catena rettilinea  
Straight running chain / Geradegängige Scharnierbandkette

Delivery: **Easy** **Standard**

Pins: Martensitic 1.4057 | Backflex radius min.: 75 mm



| Article-Nr. | Ref. | A (Plate Width) mm | Weight kg/m | Max working load (N) | Plate Thickness mm |
|-------------|------|--------------------|-------------|----------------------|--------------------|
|-------------|------|--------------------|-------------|----------------------|--------------------|

**SSE Specially treated Ferritic Stainless Steel (1.4589) - Hardened pins**

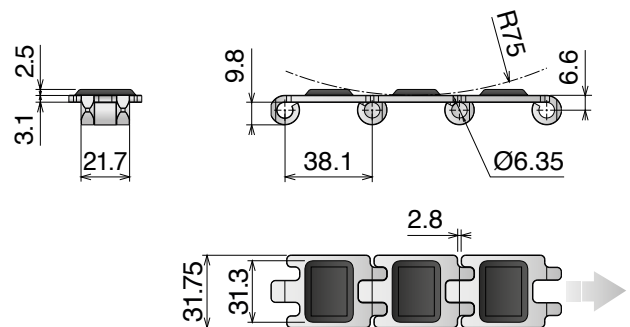
|          |              |       |      |      |     |
|----------|--------------|-------|------|------|-----|
| 10210117 | SSE 815 K125 | 31,75 | 1,07 | 3000 | 3,1 |
| 10210118 | SSE 815 K175 | 44,45 | 1,35 |      |     |

## 815 MINI GT

Catena rettilinea  
Straight running chain / Geradegängige Scharnierbandkette

Delivery: **Easy** **Standard**

Pins: Martensitic 1.4057 | Backflex radius min.: 75 mm



| Article-Nr. | Ref. | A (Plate Width) mm | B (Rubber Width) mm | Weight kg/m | Max working load (N) | Plate/Rubber Thickness mm |
|-------------|------|--------------------|---------------------|-------------|----------------------|---------------------------|
|-------------|------|--------------------|---------------------|-------------|----------------------|---------------------------|

**SSE Specially treated Ferritic Stainless Steel (1.4589) - Hardened pins**

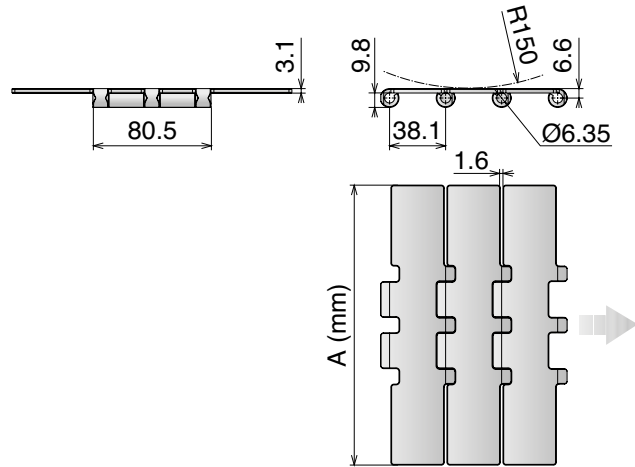
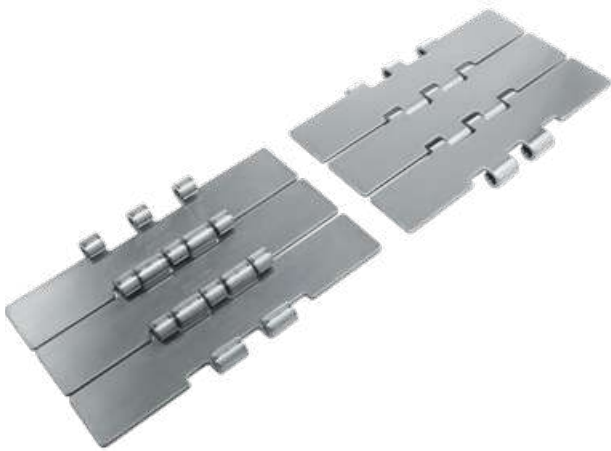
|          |                 |       |      |      |      |                      |
|----------|-----------------|-------|------|------|------|----------------------|
| 10230117 | SSE 815 GT K125 | 31,75 | 31,3 | 1,20 | 4000 | Plate 3,1 Rubber 2,5 |
|----------|-----------------|-------|------|------|------|----------------------|

## 802/805

Catena rettilinea  
Straight running chain / Geradegängige Scharnierbandkette

Delivery: **Easy** Standard

Pins: Martensitic 1.4057 | Backflex radius min.: 150 mm



| Article-Nr.  | Ref.         | A (Plate Width) mm | Weight kg/m | Surface finish µm | Max working load (N) | Plate Thickness mm |
|--|--------------|--------------------|-------------|-------------------|----------------------|--------------------|
| <b>SS Ferritic Stainless Steel (1.4016)</b>                                    |              |                    |             |                   |                      |                    |
| 10030207   | SS 802 K750  | 190,5              | 5,80        | 0,6               | 7000                 | 3,1                |
| <b>SSE Specially treated Ferritic Stainless Steel (1.4589) - Hardened pins</b> |              |                    |             |                   |                      |                    |
| 10030107   | SSE 805 K750 | 190,5              | 5,80        | 0,3               | 9000                 | 3,1                |
| <b>SSA Austenitic Stainless Steel (AISI 304) - Austenitic pin</b>              |              |                    |             |                   |                      |                    |
| 10030407   | SSA 805 K750 | 190,5              | 5,80        | 0,6               | 8700                 | 3,1                |

# 802 GT/805 GT

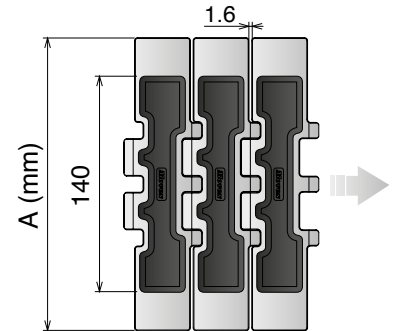
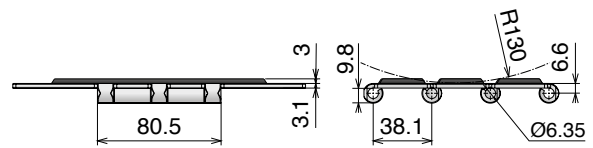
Catene in acciaio / Steel chains / Scharnierbandketten aus Edelstahl

## 802 GT/805 GT

Catena rettilinea  
Straight running chain / Geradegängige Scharnierbandkette

Delivery: **Easy** **Standard**

Pins: Martensitic 1.4057 | Backflex radius min.: 130 mm



80 links



pg. 82-94/109



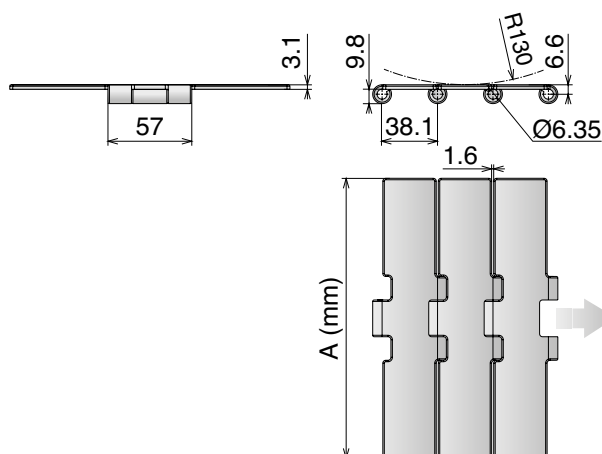
pg. 662>665

| Article-Nr.  | Ref.                   | A (Plate Width) mm | Weight kg/m | Max working load (N) | Plate/Rubber Thickness mm |
|--|------------------------|--------------------|-------------|----------------------|---------------------------|
| <b>SS Ferritic Stainless Steel (1.4016)</b>                                    |                        |                    |             |                      |                           |
| <b>10040207</b>  | <b>SS 802 GT K750</b>  | 190,5              | 6,20        | 7000                 | Plate 3,1 Rubber 3        |
| <b>SSE Specially treated Ferritic Stainless Steel (1.4589) - Hardened pins</b> |                        |                    |             |                      |                           |
| <b>10040107</b>  | <b>SSE 805 GT K750</b> | 190,5              | 6,20        | 9000                 | Plate 3,1 Rubber 3        |

## 8157 Catena rettilinea Straight running chain / Geradegängige Scharnierbandkette

Delivery: **Easy** **Standard**

Pins: Martensitic 1.4057 | Backflex radius min.: 130 mm



| Article-Nr. | Ref. | A (Plate Width) mm | Weight kg/m | Surface finish $\mu\text{m}$ | Max working load (N) | Plate Thickness mm |
|-------------|------|--------------------|-------------|------------------------------|----------------------|--------------------|
|-------------|------|--------------------|-------------|------------------------------|----------------------|--------------------|

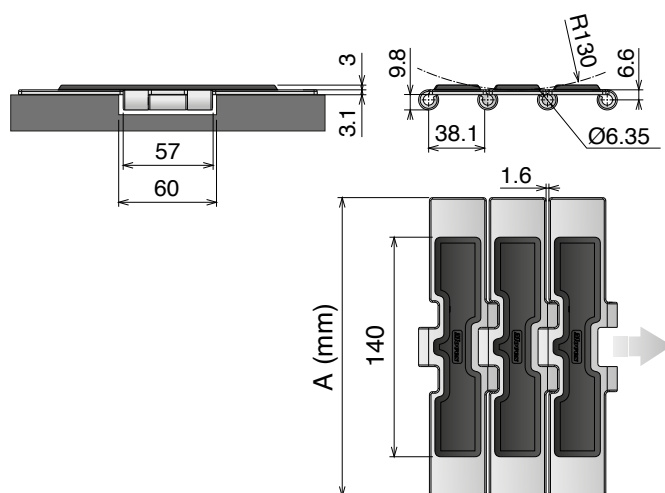
**SSE Specially treated Ferritic Stainless Steel (1.4589) - Hardened pins**

|          |               |       |      |     |      |     |
|----------|---------------|-------|------|-----|------|-----|
| 10050107 | SSE 8157 K750 | 190,5 | 5,60 | 0,3 | 7000 | 3,1 |
|----------|---------------|-------|------|-----|------|-----|

## 8157 GT Catena rettilinea Straight running chain / Geradegängige Scharnierbandkette

Delivery: **Easy** **Standard**

Pins: Martensitic 1.4057 | Backflex radius min.: 130 mm



| Article-Nr. | Ref. | A (Plate Width) mm | Weight kg/m | Max working load (N) | Plate/Rubber Thickness mm |
|-------------|------|--------------------|-------------|----------------------|---------------------------|
|-------------|------|--------------------|-------------|----------------------|---------------------------|

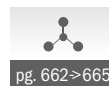
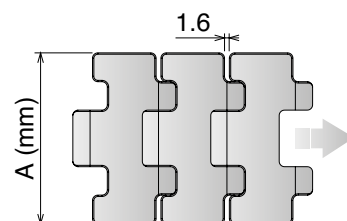
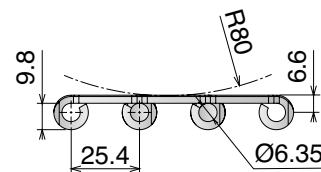
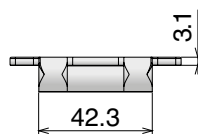
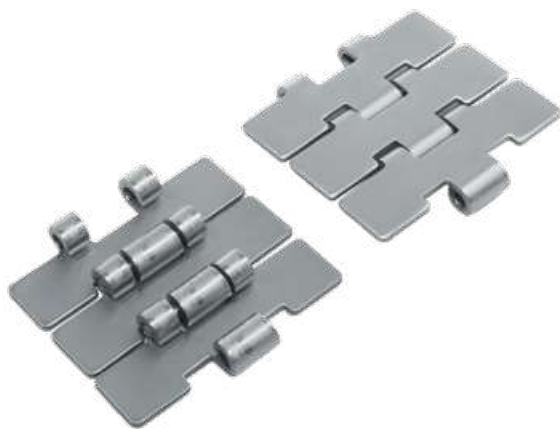
**SSE Specially treated Ferritic Stainless Steel (1.4589) - Hardened pins**

|          |                  |       |      |       |                    |
|----------|------------------|-------|------|-------|--------------------|
| 10060107 | SSE 8157 GT K750 | 190,5 | 6,00 | 10000 | Plate 3,1 Rubber 3 |
|----------|------------------|-------|------|-------|--------------------|

## 512 Catena rettilinea Straight running chain / Geradegängige Scharnierbandkette

Delivery: **Easy** **Standard**

Pins: Martensitic 1.4057 | Backflex radius min.: 80 mm



| Article-Nr. | Ref. | A (Plate Width) mm | Weight kg/m | Surface finish µm | Max working load (N) | Plate Thickness mm |
|-------------|------|--------------------|-------------|-------------------|----------------------|--------------------|
|-------------|------|--------------------|-------------|-------------------|----------------------|--------------------|

### SSE Specially treated Ferritic Stainless Steel (1.4589) - Hardened pins

|          |              |       |      |     |      |     |
|----------|--------------|-------|------|-----|------|-----|
| 10070100 | SSE 512 K217 | 55,1  | 2,30 | 0,3 | 5000 | 3,1 |
| 10070101 | SSE 512 K236 | 59,9  | 2,40 | 0,3 |      |     |
| 10070108 | SSE 512 K250 | 63,5  | 2,45 | 0,3 |      |     |
| 10070109 | SSE 512 K283 | 71,9  | 2,65 | 0,3 |      |     |
| 10070102 | SSE 512 K325 | 82,5  | 2,90 | 0,3 |      |     |
| 10070104 | SSE 512 K350 | 88,9  | 3,00 | 0,3 |      |     |
| 10070114 | SSE 512 K400 | 101,6 | 3,30 | 0,3 |      |     |

### SSA Austenitic Stainless Steel (AISI 304) - Austenitic pin

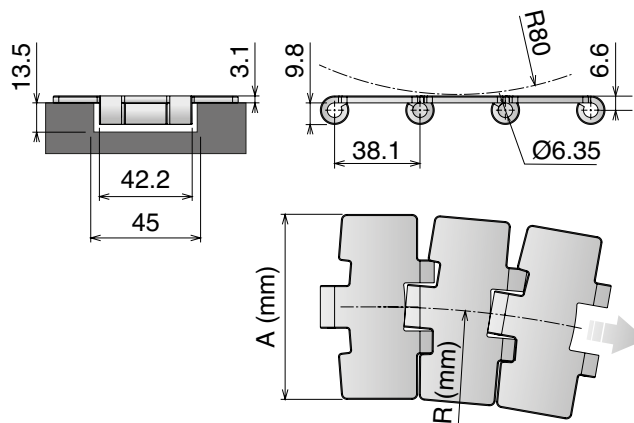
|          |              |       |      |     |      |     |
|----------|--------------|-------|------|-----|------|-----|
| 10070400 | SSA 512 K217 | 55,1  | 2,30 | 0,3 | 4500 | 3,1 |
| 10070401 | SSA 512 K236 | 59,9  | 2,40 | 0,3 |      |     |
| 10070408 | SSA 512 K250 | 63,5  | 2,45 | 0,3 |      |     |
| 10070409 | SSA 512 K283 | 71,9  | 2,65 | 0,3 |      |     |
| 10070414 | SSA 512 K400 | 101,6 | 3,30 | 0,3 |      |     |



## 881 M Catena curvilinea Sideflexing chain / Kurvengängige Scharnierbandkette

Delivery: **Easy** **Standard**

Pins: Martensitic 1.4057 | Backflex radius min.: 80 mm



### MAGNETIC SYSTEM



80 links



pg. 78->81-93/108-110



pg. 115->130



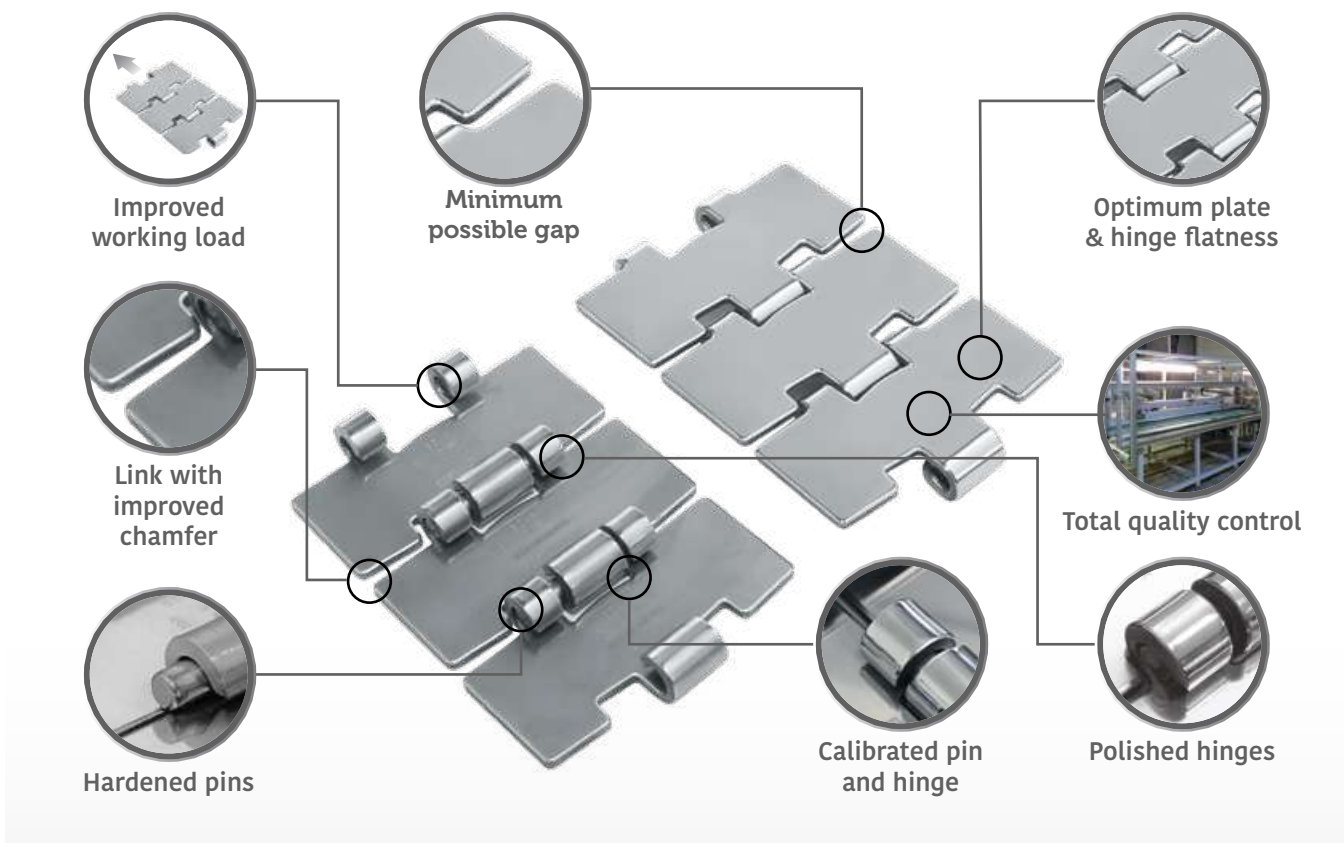
pg. 662->665

| Article-Nr. | Ref. | A (Plate Width) mm | R mm | Weight kg/m | Surface finish µm | Surface Flatness mm | Polished Hinge eyes | Max working load (N) | Plate Thickness mm |
|-------------|------|--------------------|------|-------------|-------------------|---------------------|---------------------|----------------------|--------------------|
|-------------|------|--------------------|------|-------------|-------------------|---------------------|---------------------|----------------------|--------------------|

### SSM Max Speed - Hardened pins

|          |                 |      |     |      |     |      |     |      |     |
|----------|-----------------|------|-----|------|-----|------|-----|------|-----|
| 10080302 | SSM 881 M0 K325 | 82,5 | 500 | 2,55 | 0,2 | 0,08 | YES | 6000 | 3,1 |
| 10080303 | SSM 881 M0 K330 | 83,8 | 500 | 2,59 | 0,2 | 0,08 | YES |      |     |

## Max Speed High Performance

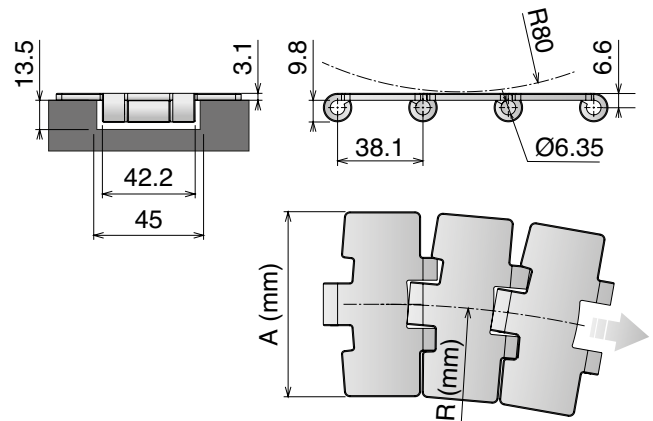


## 881 M

Catena curvilinea  
Sideflexing chain / Kurvengängige Scharnierbandkette

Delivery: **Easy** **Standard**

Pins: Martensitic 1.4057 | Backflex radius min.: 80 mm



**MAGNETIC SYSTEM**



80 links



pg. 78->81-93/108-110



pg. 115->130



pg. 662->665

| Article-Nr. | Ref. | A (Plate Width) mm | R mm | Weight kg/m | Surface finish $\mu\text{m}$ | Surface Flatness mm | Polished Hinge eyes | Max working load (N) | Plate Thickness mm |
|-------------|------|--------------------|------|-------------|------------------------------|---------------------|---------------------|----------------------|--------------------|
|-------------|------|--------------------|------|-------------|------------------------------|---------------------|---------------------|----------------------|--------------------|

### SS Ferritic Stainless Steel (1.4016)

|          |                |       |     |      |     |      |     |      |     |
|----------|----------------|-------|-----|------|-----|------|-----|------|-----|
| 10080202 | SS 881 MO K325 | 82,5  | 500 | 2,55 | 0,5 | 0,15 | YES | 5400 | 3,1 |
| 10080203 | SS 881 MO K330 | 83,8  | 500 | 2,59 | 0,5 | 0,15 | YES |      |     |
| 10080205 | SS 881 MO K450 | 114,3 | 500 | 3,10 | 0,5 | 0,20 | YES |      |     |
| 10080207 | SS 881 MO K750 | 190,5 | 500 | 4,85 | 0,5 | 0,30 | YES |      |     |

### SSE Specially treated Ferritic Stainless Steel (1.4589) - Hardened pins

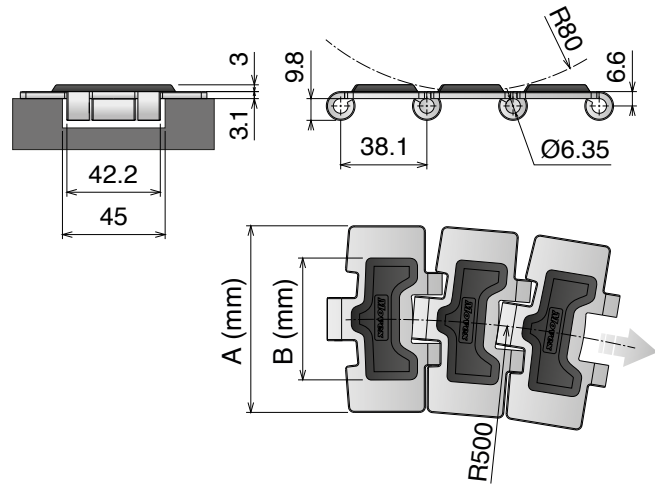
|          |                 |       |     |      |     |      |     |      |     |
|----------|-----------------|-------|-----|------|-----|------|-----|------|-----|
| 10080102 | SSE 881 MO K325 | 82,5  | 500 | 2,55 | 0,3 | 0,10 | YES | 6000 | 3,1 |
| 10080103 | SSE 881 MO K330 | 83,8  | 500 | 2,59 | 0,3 | 0,10 | YES |      |     |
| 10080105 | SSE 881 MO K450 | 114,3 | 500 | 3,10 | 0,3 | 0,20 | YES |      |     |
| 10080107 | SSE 881 MO K750 | 190,5 | 500 | 4,85 | 0,3 | 0,30 | YES |      |     |

## 881 M GT

Catena curvilinea  
Sideflexing chain / Kurvengängige Scharnierbandkette

Delivery: **Easy** **Standard**

Pins: Martensitic 1.4057 | Backflex radius min.: 80 mm



### MAGNETIC SYSTEM

10 feet  
3.048 m  
80 links

pg. 78->81-93/108-110

pg. 115->130

pg. 662->665

| Article-Nr.  | Ref.              | A (Plate Width) mm | B (Plate Width) mm | Weight kg/m | Max working load (N) | Plate/Rubber Thickness mm |
|--|-------------------|--------------------|--------------------|-------------|----------------------|---------------------------|
| <b>SSE Specially treated Ferritic Stainless Steel (1.4589) - Hardened pins</b> |                   |                    |                    |             |                      |                           |
| 10090102   | SSE 881 M GT K325 | 82,5               | 57                 | 2,80        | 6000                 | Plate 3,1<br>Rubber 3     |
| 10090107   | SSE 881 M GT K750 | 190,5              | 140                | 5,00        |                      |                           |

# 881 TAB

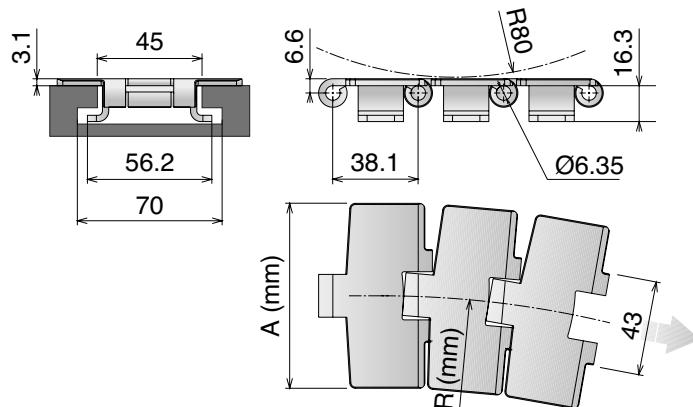
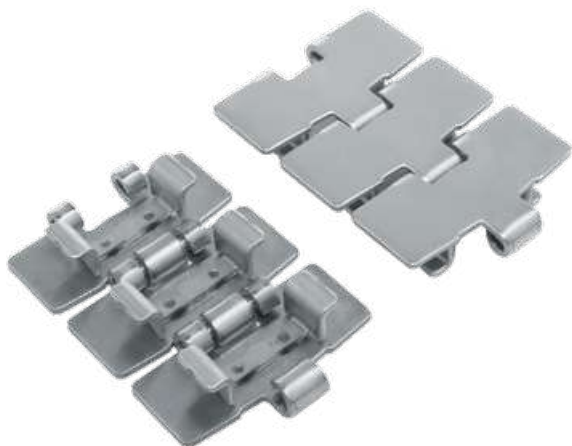
Catene in acciaio / Steel chains / Scharnierbandketten aus Edelstahl

## 881 TAB

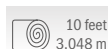
Catena curvilinea  
Sideflexing chain / Kurvengängige Scharnierbandkette

Delivery: **Easy** **Standard**

Pins: Martensitic 1.4057 | Backflex radius min.: 80 mm



### TAB SYSTEM



10 feet  
3.048 m



pg. 80-81/110



pg. 163/175



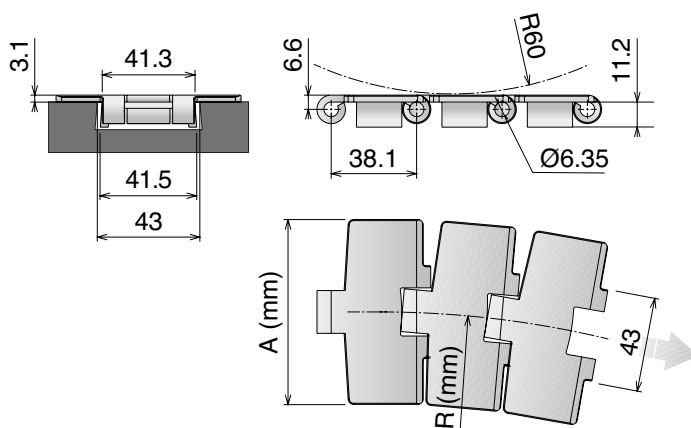
pg. 662->665

| Article-Nr.  | Ref.             | A (Plate Width)<br>mm | R<br>mm | Weight<br>kg/m | Surface finish<br>µm | Max working<br>load (N) | Plate Thickness<br>mm |
|--|------------------|-----------------------|---------|----------------|----------------------|-------------------------|-----------------------|
| <b>SS Ferritic Stainless Steel (1.4016)</b>                                    |                  |                       |         |                |                      |                         |                       |
| 10100202   | SS 881 TAB K325  | 82,5                  | 457     | 3,00           | 0,3                  | 5400                    | 3,1                   |
| <b>SSE Specially treated Ferritic Stainless Steel (1.4589) - Hardened pins</b> |                  |                       |         |                |                      |                         |                       |
| 10100102   | SSE 881 TAB K325 | 82,5                  | 457     | 3,00           | 0,3                  | 6000                    | 3,1                   |
| 10100105   | SSE 881 TAB K450 | 114,3                 | 500     | 3,69           | 0,3                  |                         |                       |
| 10100107   | SSE 881 TAB K750 | 190,5                 | 500     | 5,50           | 0,3                  |                         |                       |
| <b>SSA Austenitic Stainless Steel (AISI 304) - Austenitic pin</b>              |                  |                       |         |                |                      |                         |                       |
| 10100402   | SSA 881 TAB K325 | 82,5                  | 457     | 3,00           | 0,3                  | 4500                    | 3,1                   |
| 10100405   | SSA 881 TAB K450 | 114,3                 | 500     | 3,69           | 0,3                  |                         |                       |
| 10100407   | SSA 881 TAB K750 | 190,5                 | 500     | 5,50           | 0,3                  |                         |                       |

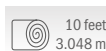
## 881 B

Catena curvilinea  
Sideflexing chain / Kurvengängige Scharnierbandkette

Pins: Martensitic 1.4057 | Backflex radius min.: 60 mm



### BEVEL SYSTEM



10 feet  
3.048 m



80 links  
pg. 80-81/110



pg. 174



pg. 662->665

| Article-Nr. | Ref. | A (Plate Width)<br>mm | R<br>mm | Weight<br>kg/m | Surface finish<br>µm | Max working<br>load (N) | Plate Thickness<br>mm |
|-------------|------|-----------------------|---------|----------------|----------------------|-------------------------|-----------------------|
|-------------|------|-----------------------|---------|----------------|----------------------|-------------------------|-----------------------|

#### SSE Specially treated Ferritic Stainless Steel (1.4589) - Hardened pins

|          |              |       |     |      |     |      |     |
|----------|--------------|-------|-----|------|-----|------|-----|
| 10120102 | SSE 881 K325 | 82,5  | 457 | 2,95 | 0,3 | 6000 | 3,1 |
| 10120104 | SSE 881 K350 | 88,9  | 500 | 3,00 | 0,3 |      |     |
| 10120105 | SSE 881 K450 | 114,3 | 500 | 3,65 | 0,3 |      |     |
| 10120107 | SSE 881 K750 | 190,5 | 500 | 5,45 | 0,3 |      |     |

#### SSA Austenitic Stainless Steel (AISI 304) - Austenitic pin

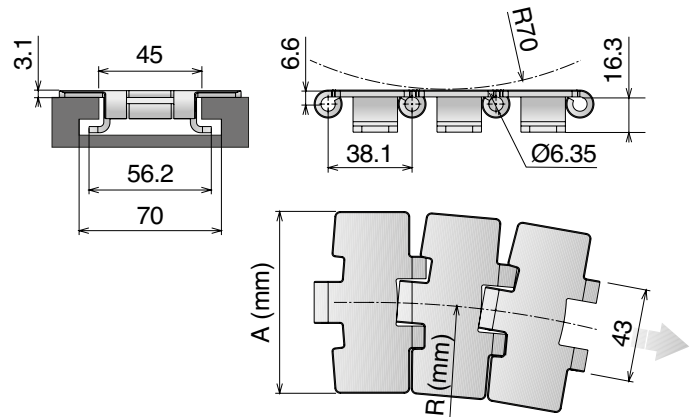
|          |              |       |     |      |     |      |     |
|----------|--------------|-------|-----|------|-----|------|-----|
| 10120402 | SSA 881 K325 | 82,5  | 457 | 2,95 | 0,3 | 4500 | 3,1 |
| 10120405 | SSA 881 K450 | 114,3 | 500 | 3,65 | 0,3 |      |     |
| 10120407 | SSA 881 K750 | 190,5 | 500 | 5,45 | 0,3 |      |     |

## 8811 TAB

Catena curvilinea  
Sideflexing chain / Kurvengängige Scharnierbandkette

Delivery: **Easy** **Standard**

Pins: Martensitic 1.4057 | Backflex radius min.: 70 mm



### TAB SYSTEM

|                    |               |             |             |
|--------------------|---------------|-------------|-------------|
| 10 feet<br>3.048 m |               |             |             |
| 80 links           | pg. 80-81/110 | pg. 163/175 | pg. 662>665 |

| Article-Nr. | Ref. | A (Plate Width)<br>mm | R<br>mm | Weight<br>kg/m | Surface finish<br>µm | Max working<br>load (N) | Plate Thickness<br>mm |
|-------------|------|-----------------------|---------|----------------|----------------------|-------------------------|-----------------------|
|-------------|------|-----------------------|---------|----------------|----------------------|-------------------------|-----------------------|

#### SS Ferritic Stainless Steel (1.4016)

|          |                  |       |     |      |     |      |     |
|----------|------------------|-------|-----|------|-----|------|-----|
| 10140202 | SS 8811 TAB K325 | 82,5  | 500 | 2,95 | 0,3 | 5400 | 3,1 |
| 10140203 | SS 8811 TAB K330 | 83,8  | 500 | 3,05 | 0,3 |      |     |
| 10140205 | SS 8811 TAB K450 | 114,3 | 610 | 3,65 | 0,3 |      |     |
| 10140207 | SS 8811 TAB K750 | 190,5 | 610 | 5,45 | 0,3 |      |     |

#### SSE Specially treated Ferritic Stainless Steel (1.4589) - Hardened pins

|          |                   |       |     |      |     |      |     |
|----------|-------------------|-------|-----|------|-----|------|-----|
| 10140102 | SSE 8811 TAB K325 | 82,5  | 500 | 2,95 | 0,3 | 6000 | 3,1 |
| 10140103 | SSE 8811 TAB K330 | 83,8  | 500 | 3,05 | 0,3 |      |     |
| 10140104 | SSE 8811 TAB K350 | 88,9  | 500 | 3,15 | 0,3 |      |     |
| 10140105 | SSE 8811 TAB K450 | 114,3 | 500 | 3,65 | 0,3 |      |     |
| 10140107 | SSE 8811 TAB K750 | 190,5 | 500 | 5,45 | 0,3 |      |     |

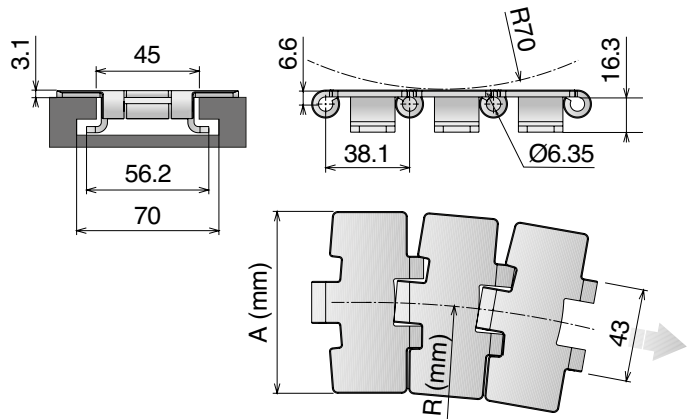
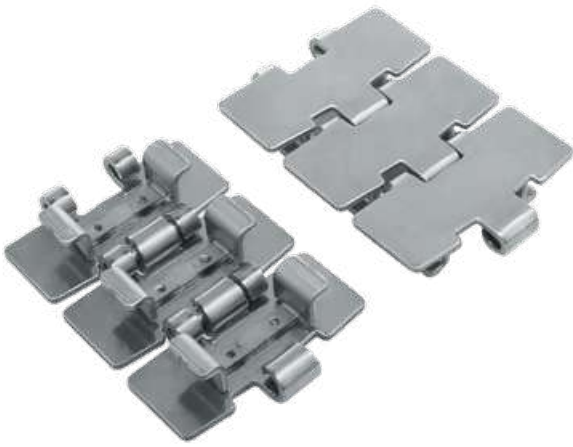
#### SSA Austenitic Stainless Steel (AISI 304) - Austenitic pin

|          |                   |       |     |      |     |      |     |
|----------|-------------------|-------|-----|------|-----|------|-----|
| 10140402 | SSA 8811 TAB K325 | 82,5  | 500 | 2,95 | 0,3 | 4500 | 3,1 |
| 10140403 | SSA 8811 TAB K330 | 83,8  | 500 | 3,05 | 0,3 |      |     |
| 10140405 | SSA 8811 TAB K450 | 114,3 | 500 | 3,65 | 0,3 |      |     |
| 10140407 | SSA 8811 TAB K750 | 190,5 | 500 | 5,45 | 0,3 |      |     |

## 8811 R TAB

Catena curvilinea  
Sideflexing chain / Kurvengängige Scharnierbandkette

Pins: Martensitic 1.4057 | Backflex radius min.: 80 mm



**TAB SYSTEM**

**SMALL RADIUS**

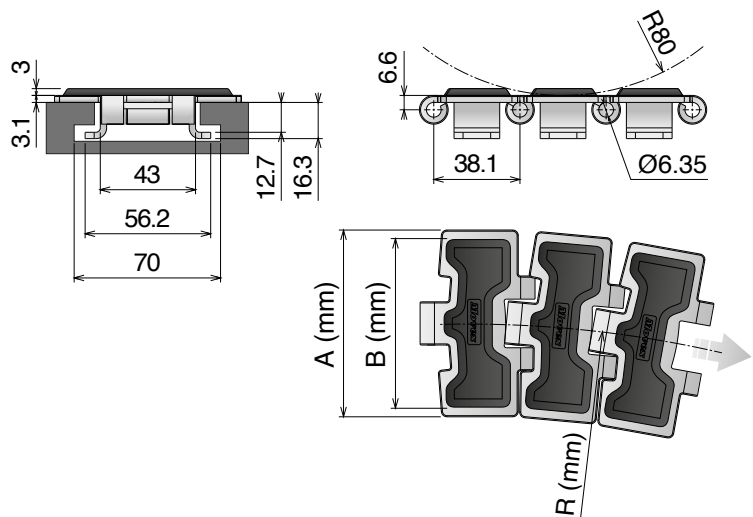


| Article-Nr.                                 | Ref.                     | A (Plate Width) mm | R mm | Weight kg/m | Surface finish µm | Max working load (N) | Plate Thickness mm |
|---|--------------------------|--------------------|------|-------------|-------------------|----------------------|--------------------|
| <b>SS Ferritic Stainless Steel (1.4016)</b> |                          |                    |      |             |                   |                      |                    |
| <b>10240202</b>                             | <b>SS 8811R TAB K325</b> | 82,5               | 200  | 2,78        | 0,3               | 5400                 | 3,1                |

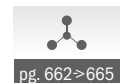
## 8811 TAB GT

Catena curvilinea  
Sideflexing chain / Kurvengängige Scharnierbandkette

Pins: Martensitic 1.4057 | Backflex radius min.: 80 mm



**TAB SYSTEM**



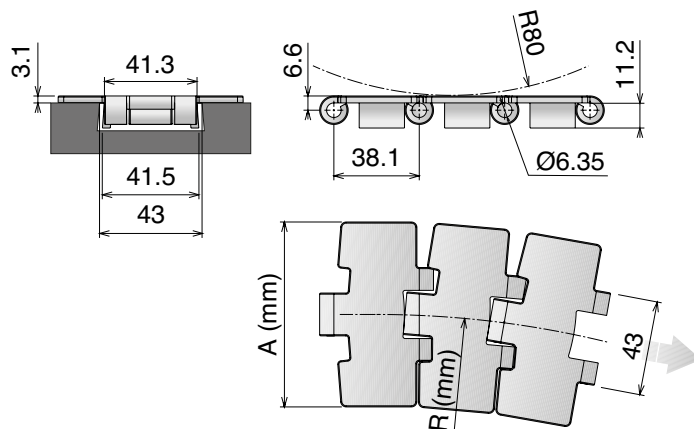
| Article-Nr.  | Ref.                        | A (Plate Width) mm | B (Plate Width) mm | R mm | Weight kg/m | Max working load (N) | Plate/Rubber Thickness mm |
|--|-----------------------------|--------------------|--------------------|------|-------------|----------------------|---------------------------|
| <b>SSE Specially treated Ferritic Stainless Steel (1.4589) - Hardened pins</b> |                             |                    |                    |      |             |                      |                           |
| <b>10150102</b>  | <b>SSE 8811 TAB GT K325</b> | 82,5               | 75                 | 500  | 3,20        | 6000                 | Plate 3,1                 |
| <b>10150107</b>  | <b>SSE 8811 TAB GT K750</b> | 190,5              | 140                | 610  | 5,70        |                      | Rubber 3                  |

## 8811 B

Catena curvilinea  
Sideflexing chain / Kurvengängige Scharnierbandkette

Delivery: **Easy** **Standard**

Pins: Martensitic 1.4057 | Backflex radius min.: 80 mm



### BEVEL SYSTEM



10 feet  
3.048 m



pg. 80-81/110



pg. 174



pg. 662>665

| Article-Nr. | Ref. | A (Plate Width)<br>mm | R<br>mm | Weight<br>kg/m | Surface finish<br>µm | Max working<br>load (N) | Plate Thickness<br>mm |
|-------------|------|-----------------------|---------|----------------|----------------------|-------------------------|-----------------------|
|-------------|------|-----------------------|---------|----------------|----------------------|-------------------------|-----------------------|

#### SSE Specially treated Ferritic Stainless Steel (1.4589) - Hardened pins

|                 |                      |       |     |      |     |      |     |
|-----------------|----------------------|-------|-----|------|-----|------|-----|
| <b>10160102</b> | <b>SSE 8811 K325</b> | 82,5  | 500 | 2,90 | 0,3 | 6000 | 3,1 |
| <b>10160104</b> | <b>SSE 8811 K350</b> | 88,9  | 500 | 3,15 | 0,3 |      |     |
| <b>10160105</b> | <b>SSE 8811 K450</b> | 114,3 | 500 | 3,60 | 0,3 |      |     |
| <b>10160107</b> | <b>SSE 8811 K750</b> | 190,5 | 500 | 5,40 | 0,3 |      |     |

#### SSA Austenitic Stainless Steel (AISI 304) - Austenitic pin

|                 |                      |       |     |      |     |      |     |
|-----------------|----------------------|-------|-----|------|-----|------|-----|
| <b>10160402</b> | <b>SSA 8811 K325</b> | 82,5  | 500 | 2,90 | 0,3 | 4500 | 3,1 |
| <b>10160404</b> | <b>SSA 8811 K350</b> | 88,9  | 500 | 3,15 | 0,3 |      |     |
| <b>10160405</b> | <b>SSA 8811 K450</b> | 114,3 | 500 | 3,60 | 0,3 |      |     |
| <b>10160407</b> | <b>SSA 8811 K750</b> | 190,5 | 500 | 5,40 | 0,3 |      |     |

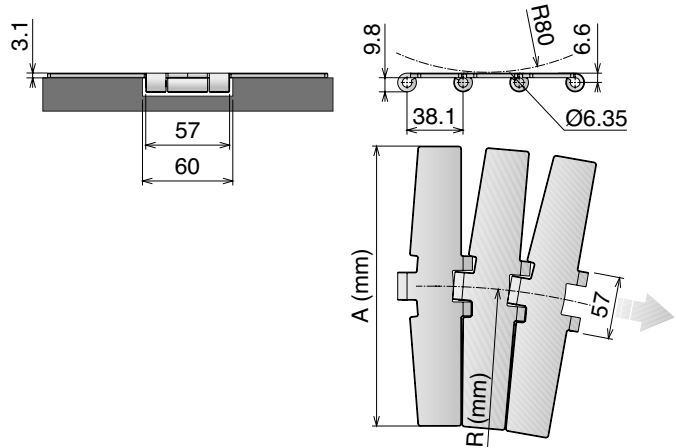


## 8857 M

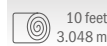
Catena curvilinea  
Sideflexing chain / Kurvengängige Scharnierbandkette

Delivery: **Easy** **Standard**

Pins: Martensitic 1.4057 | Backflex radius min.: 80 mm



**MAGNETIC SYSTEM**



80 links



pg. 83-93/110



pg. 132->134



pg. 662->665

| Article-Nr. | Ref. | A (Plate Width) mm | R mm | Weight kg/m | Surface finish µm | Max working load (N) | Plate Thickness mm |
|-------------|------|--------------------|------|-------------|-------------------|----------------------|--------------------|
|-------------|------|--------------------|------|-------------|-------------------|----------------------|--------------------|

**SSE Specially treated Ferritic Stainless Steel (1.4589) - Hardened pins**

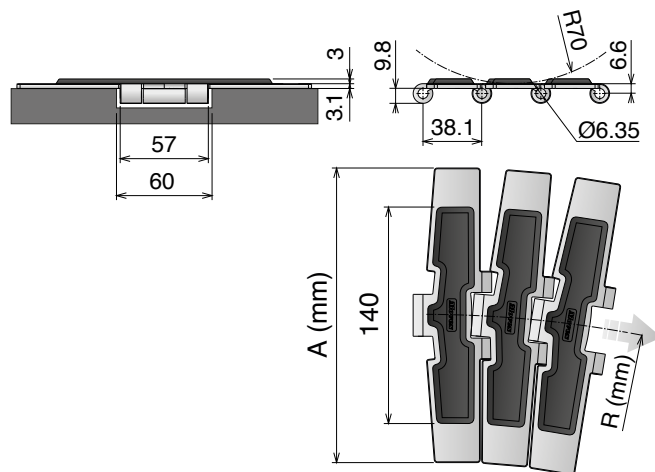
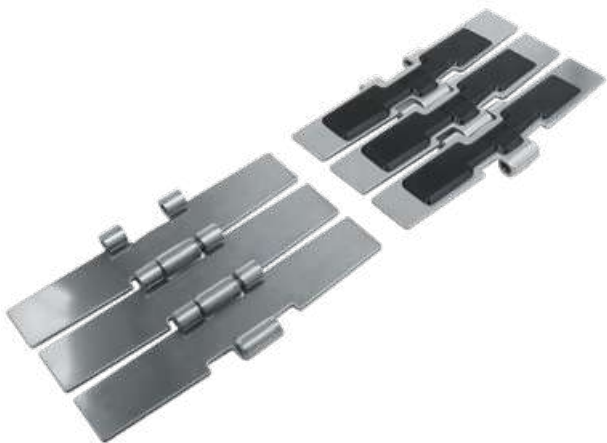
|          |                 |       |     |      |     |      |     |
|----------|-----------------|-------|-----|------|-----|------|-----|
| 10180107 | SSE 8857 M K750 | 190,5 | 750 | 5,30 | 0,3 | 7000 | 3,1 |
|----------|-----------------|-------|-----|------|-----|------|-----|

## 8857 M GT

Catena curvilinea  
Sideflexing chain / Kurvengängige Scharnierbandkette

Delivery: **Easy** **Standard**

Pins: Martensitic 1.4057 | Backflex radius min.: 70 mm



**MAGNETIC SYSTEM**



80 links



pg. 83-93/110



pg. 131->136



pg. 662->665

| Article-Nr. | Ref. | A (Plate Width) mm | R mm | Weight kg/m | Surface finish µm | Max working load (N) | Plate/Rubber Thickness mm |
|-------------|------|--------------------|------|-------------|-------------------|----------------------|---------------------------|
|-------------|------|--------------------|------|-------------|-------------------|----------------------|---------------------------|

**SSE Specially treated Ferritic Stainless Steel (1.4589) - Hardened pins**

|          |                    |       |     |      |     |       |                    |
|----------|--------------------|-------|-----|------|-----|-------|--------------------|
| 10190107 | SSE 8857 M GT K750 | 190,5 | 750 | 5,70 | 0,3 | 10000 | Plate 3,1 Rubber 3 |
|----------|--------------------|-------|-----|------|-----|-------|--------------------|

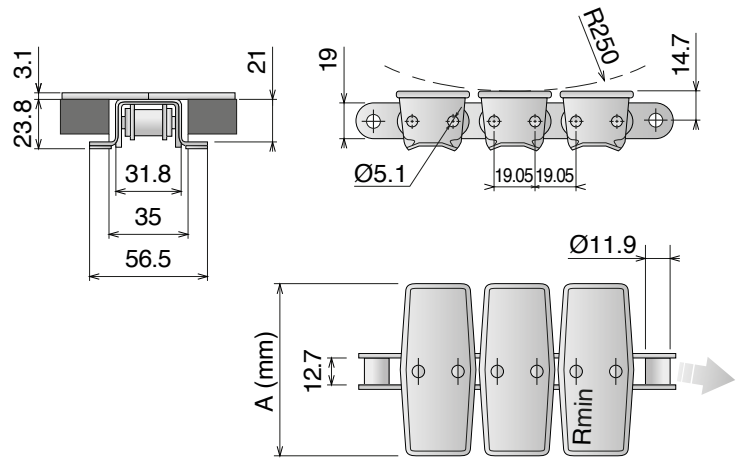
# 1874 TAB

Catene in acciaio / Steel chains / Scharnierbandketten aus Edelstahl

## 1874 TAB Catena curvilinea Sideflexing chain / Kurvengängige Scharnierbandkette

Delivery: **Easy** **Standard**

Backflex radius min.: 250 mm



Standard length roller chain: 160 Pitches

**TAB SYSTEM**

10 feet  
3.048 m  
80 links

**SPROCKET**  
ASA 60  
Standard on  
market

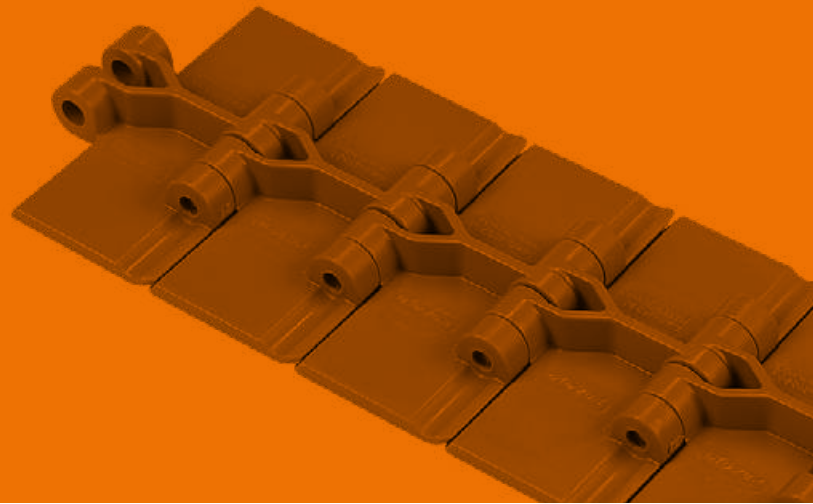
pg. 167/176



pg. 662>665

| Article-Nr. | Ref. | A (Plate Width)<br>mm | R<br>mm | Weight<br>kg/m | Surface finish<br>µm | Max working<br>load (N) | Plate Thickness<br>mm |
|-------------|------|-----------------------|---------|----------------|----------------------|-------------------------|-----------------------|
|-------------|------|-----------------------|---------|----------------|----------------------|-------------------------|-----------------------|

**SSA Austenitic Stainless Steel (AISI 304)**







|                 |                         |       |     |      |     |      |     |
|-----------------|-------------------------|-------|-----|------|-----|------|-----|
| <b>10220202</b> | <b>SS 1874 TAB K325</b> | 82,5  | 381 | 4,20 | 0,5 | 4500 | 3,1 |
| <b>10220205</b> | <b>SS 1874 TAB K450</b> | 114,3 | 381 | 4,80 | 0,5 |      |     |
| <b>10220206</b> | <b>SS 1874 TAB K600</b> | 152,4 | 457 | 5,70 | 0,5 |      |     |
| <b>10220207</b> | <b>SS 1874 TAB K750</b> | 190,5 | 610 | 6,40 | 0,5 |      |     |









|   |   |   |   |  |   |
|---|---|---|---|--|---|
| <b>820</b><br><br>Pag 29/30 | <b>820 V</b><br><br>Pag 31 | <b>820 Plastic pin</b><br><br>Pag 31 | <b>828</b><br><br>Pag 32 | <b>831</b><br><br>Pag 33 | <b>821</b><br><br>Pag 34 |
|---|---|---|---|--|---|

|   |   |  |   |   |   |
|---|---|--|---|---|---|
| <b>821 GT</b><br><br>Pag 35 | <b>821 LBP</b><br><br>Pag 36 | <b>8257</b><br><br>Pag 37 | <b>8257 GT</b><br><br>Pag 38 | <b>8257 LBP</b><br><br>Pag 39 | <b>878 TAB</b><br><br>Pag 40 |
|---|---|--|---|---|---|







|  |   |   |  |  |   |
|--|---|---|--|--|---|
| <b>879 M</b><br><br>Pag 41 | <b>879 TAB</b><br><br>Pag 42 | <b>888 TAB</b><br><br>Pag 43 | <b>888 TAB GT</b><br><br>Pag 44 | <b>880 M</b><br><br>Pag 45 | <b>880 TAB</b><br><br>Pag 46 |
|--|---|---|--|--|---|

|  |   |  |   |  |  |
|--|---|--|---|--|--|
| <b>880 V TAB</b><br><br>Pag 47 | <b>880 TAB Plastic pin</b><br><br>Pag 48 | <b>880 TAB B0</b><br><br>Pag 48 | <b>880 B</b><br><br>Pag 49 | <b>882 M</b><br><br>Pag 50 | <b>882 M GT</b><br><br>Pag 51 |
|--|---|--|---|--|--|

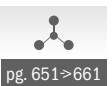
|  |   |  |   |   |   |
|--|---|--|---|---|---|
| <b>882 M LBP</b><br><br>Pag 52 | <b>882 TAB</b><br><br>Pag 53 | <b>882 TAB GT</b><br><br>Pag 54 | <b>882 TAB LBP</b><br><br>Pag 55 | <b>1873</b><br><br>Pag 56 | <b>1873 GT</b><br><br>Pag 57 |
|--|---|--|---|---|---|

|   |  |  |  |   |  |
|---|--|--|--|---|--|
| <b>1873 GRIPPER GS1</b><br><br>Pag 58 | <b>1873 GRIPPER GS2</b><br><br>Pag 59 | <b>1873 GRIPPER GS4</b><br><br>Pag 60 | <b>1873 D-SHAPE</b><br><br>Pag 61 | <b>1873 MX1</b><br><br>Pag 62 | <b>1873 MX2</b><br><br>Pag 63 |
|---|--|--|--|---|--|

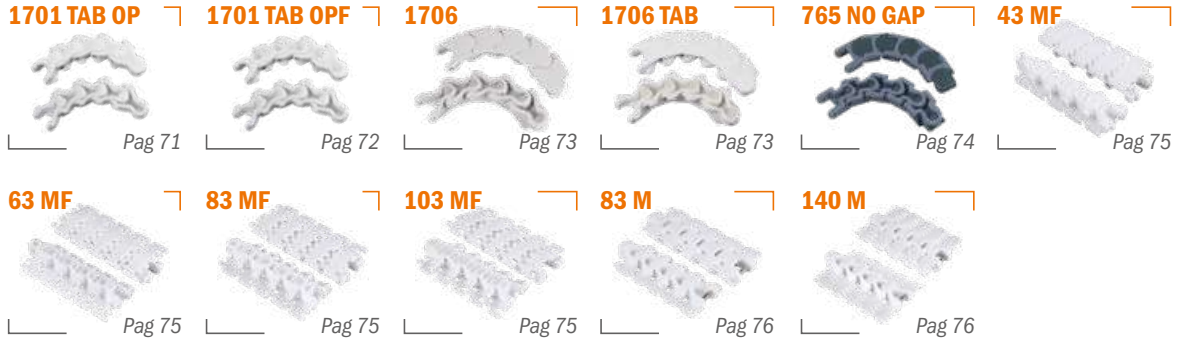
|  |   |   |  |  |  |
|--|---|---|--|--|--|
| <b>878 GRIPPER GS1</b><br><br>Pag 64 | <b>878 GRIPPER GS2</b><br><br>Pag 64 | <b>878 GRIPPER GS4</b><br><br>Pag 64 | <b>1843</b><br><br>Pag 65 | <b>SP 1883</b><br><br>Pag 66 | <b>SP 1883 GT</b><br><br>Pag 67 |
|--|---|---|--|--|--|

|   |  |  |  |  |   |
|---|--|--|--|--|---|
| <b>CC 600</b><br><br>Pag 68 | <b>CC 600 TAB</b><br><br>Pag 68 | <b>CC 600 D</b><br><br>Pag 69 | <b>CC 600 D TAB</b><br><br>Pag 69 | <b>CC 1400</b><br><br>Pag 70 | <b>CC 1400 TAB</b><br><br>Pag 70 |
|---|--|--|--|--|---|

Material Info:



pg. 651 > 661



# PFX

The best choice for dry running applications.

**PFX** is the plastic material specifically developed for chains and belts in order to run with limited lubrication or in dry applications where the demands are extreme concerning speed, performance & efficiency.

Realizing the many advantages and the versatility of our plastic compound, a growing number of companies are implementing **PFX** into their production lines with excellent results. Contact us, and request a free quotation!

## Plastic chains available:

**820 FT**



**828 FT**



**880 M**



**880 TAB**



### Low friction

Developed to reduce friction between chain and product, and chain and wearstrip.



### Minimal dusting

Developed to avoid dusting under extreme circumstances.



### Food contact Certified

PFX material is suitable in food application.



### High performance

Longer wear life lead to excellent and long enduring product handling features.



### Control of cost

Better control of total cost & sustainable conveyor technology.



### Patented material

PFX is an exclusive product of Movex.

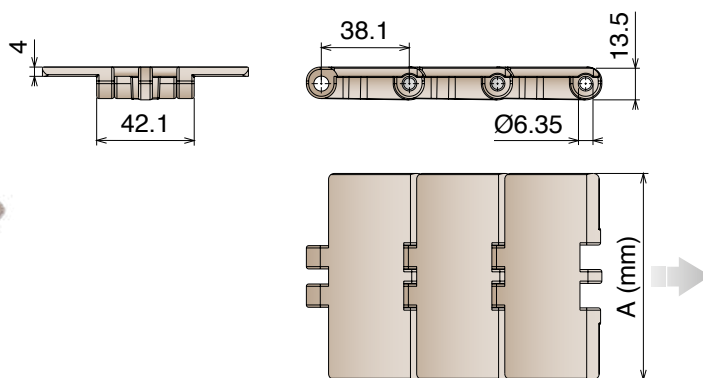
Other different types of product in PFX are on request.

# 820

Catena rettilinea  
Straight running chain / Geradegängige Scharnierbandkette

**IMPROVED DESIGN**Delivery: **Easy** **Standard**

Pins: Stainless Steel | Backflex radius min.: 50 mm



80 links



84-85-94/108



pg. 651&gt;661

| Article-Nr. | Ref.        | A (Plate Width) mm | Weight kg/m | Max working load N | Material |
|-------------|-------------|--------------------|-------------|--------------------|----------|
| 11010102    | LF 820 K325 | 82,5               | 0,89        | 1625               | LF       |
| 11010103    | LF 820 K330 | 83,8               | 0,90        |                    |          |
| 11010104    | LF 820 K350 | 88,9               | 0,91        |                    |          |
| 11010114    | LF 820 K400 | 101,6              | 0,95        |                    |          |
| 11010105    | LF 820 K450 | 114,3              | 1,00        |                    |          |
| 11010106    | LF 820 K600 | 152,4              | 1,22        |                    |          |
| 11010107    | LF 820 K750 | 190,5              | 1,43        |                    |          |
| 11010302    | MX 820 K325 | 82,5               | 0,89        | 1260               | MX       |
| 11010303    | MX 820 K330 | 83,8               | 0,90        |                    |          |
| 11010304    | MX 820 K350 | 88,9               | 0,91        |                    |          |
| 11010314    | MX 820 K400 | 101,6              | 0,95        |                    |          |
| 11010305    | MX 820 K450 | 114,3              | 1,00        |                    |          |
| 11010306    | MX 820 K600 | 152,4              | 1,22        |                    |          |
| 11010307    | MX 820 K750 | 190,5              | 1,43        |                    |          |

## 820 Series

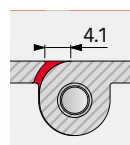
PRODUCT UPDATE

Movex created an optimized version in which the gap between the links is 45% lower and the contact surface has increased up to a maximum of 15%: the result is an improved product stability. The new design is completely interchangeable and connectable with the previous one.

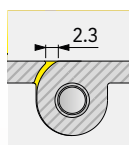
### Advantages:

- Improved stability
- Increased sliding surface
- Minimized open gap
- Same backflex radius

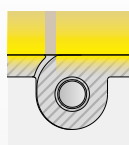
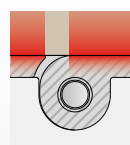
PREVIOUS VERSION



CURRENT VERSION



**-45%**  
OPEN GAP



**+15%**  
CONTACT SURFACE

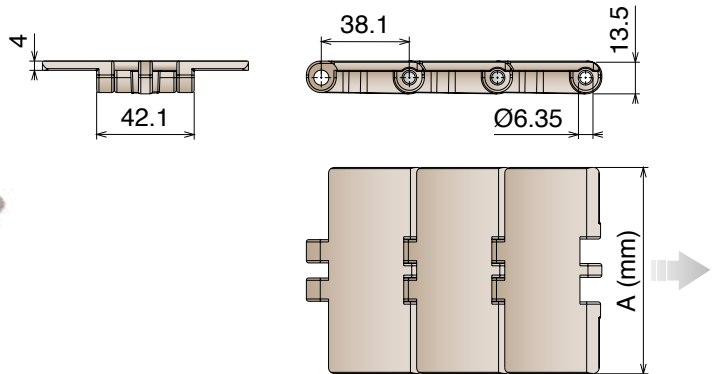
820

Catena rettilinea  
Straight running chain / Geradegängige Scharnierbandkette

IMPROVED DESIGN

Delivery: **Easy** **Standard**

Pins: Stainless Steel | Backflex radius min.: 50 mm



**-45%**  
OPEN GAP

**+15%**  
CONTACT SURFACE



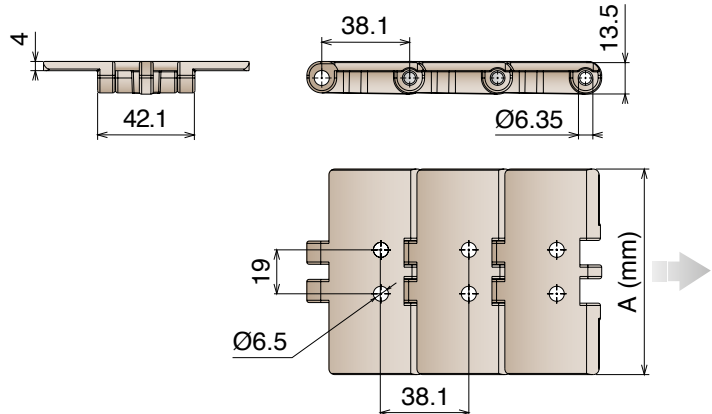
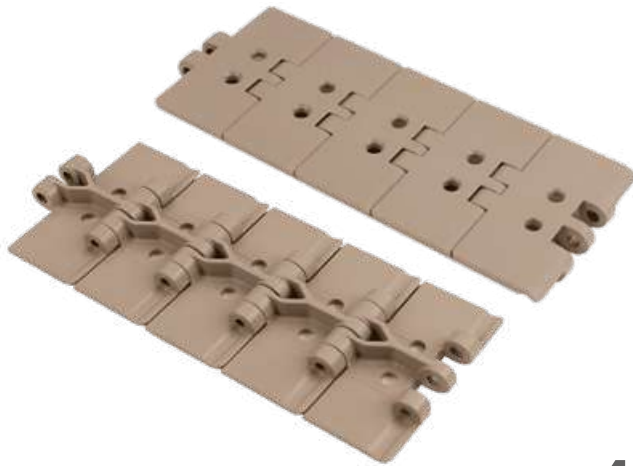
| Article-Nr. | Ref.         | A (Plate Width) mm | Weight kg/m | Max working load N | Material |
|-------------|--------------|--------------------|-------------|--------------------|----------|
| 11013002    | PFX 820 K325 | 82,5               | 0,89        | 1260               | PFX      |
| 11013003    | PFX 820 K330 | 83,8               | 0,90        |                    |          |
| 11013004    | PFX 820 K350 | 88,9               | 0,91        |                    |          |
| 11013014    | PFX 820 K400 | 101,6              | 0,95        |                    |          |
| 11013005    | PFX 820 K450 | 114,3              | 1,00        |                    |          |
| 11013006    | PFX 820 K600 | 152,4              | 1,22        |                    |          |
| 11013007    | PFX 820 K750 | 190,5              | 1,43        |                    |          |
| 11012502    | MPX 820 K325 | 82,5               | 0,89        | 1625               | MPX      |
| 11012503    | MPX 820 K330 | 83,8               | 0,90        |                    |          |
| 11012504    | MPX 820 K350 | 88,9               | 0,91        |                    |          |
| 11012514    | MPX 820 K400 | 101,6              | 0,95        |                    |          |
| 11012505    | MPX 820 K450 | 114,3              | 1,00        |                    |          |
| 11012506    | MPX 820 K600 | 152,4              | 1,22        |                    |          |
| 11012507    | MPX 820 K750 | 190,5              | 1,43        |                    |          |
| 11011602    | DKM 820 K325 | 82,5               | 0,89        | 1625               | DKM      |
| 11011603    | DKM 820 K330 | 83,8               | 0,90        |                    |          |
| 11011604    | DKM 820 K350 | 88,9               | 0,91        |                    |          |
| 11011614    | DKM 820 K400 | 101,6              | 0,95        |                    |          |
| 11011605    | DKM 820 K450 | 114,3              | 1,00        |                    |          |
| 11011606    | DKM 820 K600 | 152,4              | 1,22        |                    |          |
| 11011607    | DKM 820 K750 | 190,5              | 1,43        |                    |          |
| 11011702    | MWX 820 K325 | 82,5               | 0,89        | 1625               | MWX      |
| 11011703    | MWX 820 K330 | 83,8               | 0,90        |                    |          |
| 11011704    | MWX 820 K350 | 88,9               | 0,91        |                    |          |
| 11011714    | MWX 820 K400 | 101,6              | 0,95        |                    |          |
| 11011705    | MWX 820 K450 | 114,3              | 1,00        |                    |          |
| 11011706    | MWX 820 K600 | 152,4              | 1,22        |                    |          |
| 11011707    | MWX 820 K750 | 190,5              | 1,43        |                    |          |

## 820 V

Catena rettilinea  
Straight running chain / Geradegängige Scharnierbandkette

**IMPROVED DESIGN**

Pins: Stainless Steel | Backflex radius min.: 50 mm



**-45%**  
OPEN GAP

**+15%**  
CONTACT SURFACE

10 feet  
3.048 m  
80 links

84-85-94/108

pg. 651>661

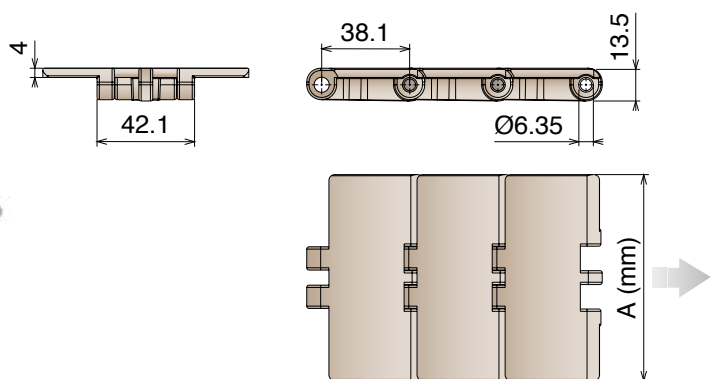
| Article-Nr. | Ref.           | A (Plate Width) mm | Weight kg/m | Max working load N | Material |
|-------------|----------------|--------------------|-------------|--------------------|----------|
| 11550102    | LF 820 V2 K325 | 82,5               | 0,89        | 1625               | LF       |
| 11550105    | LF 820 V2 K450 | 114,3              | 1,00        |                    |          |

## 820

Plastic pin Catena rettilinea con perno in plastica  
Straight running chain with plastic pin / Geradegängige Scharnierbandkette mit plastic bolzen

**IMPROVED DESIGN**

Pins: Reinforced acetal resin | Backflex radius min.: 50 mm



**-45%**  
OPEN GAP

**+15%**  
CONTACT SURFACE

10 feet  
3.048 m  
80 links

84-85-94/108

pg. 651>661

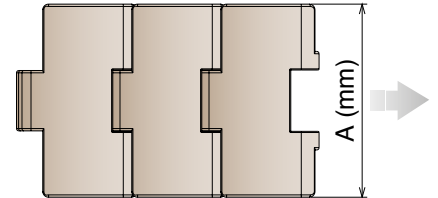
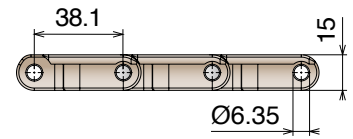
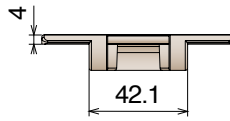
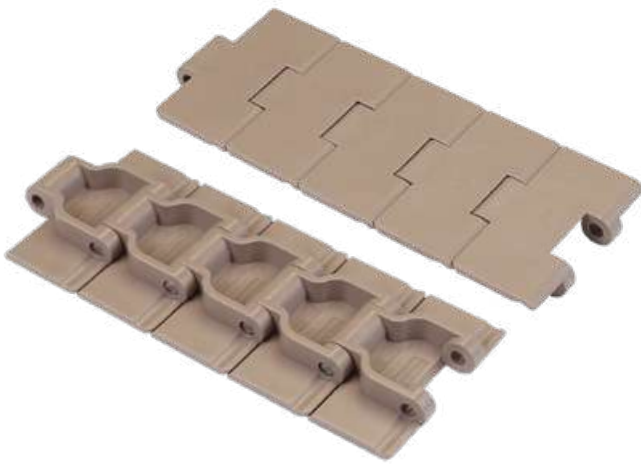
| Article-Nr. | Ref.        | A (Plate Width) mm | Weight kg/m | Max working load N | Material |
|-------------|-------------|--------------------|-------------|--------------------|----------|
| 11630102    | LF 820 K325 | 82,5               | 0,69        | 650                | LF       |
| 11630105    | LF 820 K450 | 114,3              | 0,80        |                    |          |

828

Catena rettilinea  
Straight running chain / Geradegängige Scharnierbandkette

Delivery: **Easy** **Standard**

Pins: Stainless Steel | Backflex radius min.: 50 mm



80 links



pg. 88-89/108



pg. 651>661

| Article-Nr. | Ref.         | A (Plate Width) mm | Weight kg/m | Max working load N | Material |
|-------------|--------------|--------------------|-------------|--------------------|----------|
| 11020102    | LF 828 K325  | 82,5               | 1,07        | 2320               | LF       |
| 11020103    | LF 828 K330  | 83,8               | 1,13        |                    |          |
| 11020302    | MX 828 K325  | 82,5               | 1,07        | 1860               | MX       |
| 11020303    | MX 828 K330  | 83,8               | 1,13        |                    |          |
| 11023002    | PFX 828 K325 | 82,5               | 1,07        | 1860               | PFX      |
| 11023003    | PFX 828 K330 | 83,8               | 1,13        |                    |          |
| 11022502    | MPX 828 K325 | 82,5               | 1,07        | 2320               | MPX      |
| 11022503    | MPX 828 K330 | 83,8               | 1,13        |                    |          |

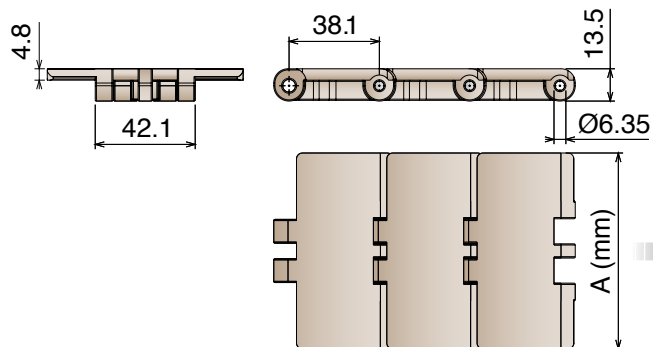


# 831

Catena rettilinea  
Straight running chain / Geradegängige Scharnierbandkette

Delivery: **Easy** **Standard**

Pins: Stainless Steel | Backflex radius min.: 50 mm



10 feet  
3.048 m

80 links



pg. 86-87/108



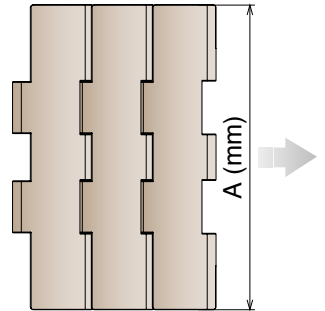
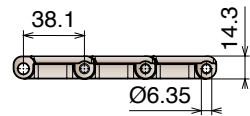
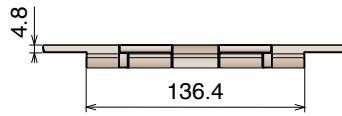
pg. 651>661

| Article-Nr. | Ref.        | A (Plate Width) mm | Weight kg/m | Max working load N | Material |
|-------------|-------------|--------------------|-------------|--------------------|----------|
| 11030102    | LF 831 K325 | 82,5               | 1,00        | 1625               | LF       |
| 11030105    | LF 831 K450 | 114,3              | 1,28        |                    |          |
| 11030107    | LF 831 K750 | 190,5              | 1,80        |                    |          |
| 11030302    | MX 831 K325 | 82,5               | 1,00        | 1260               | MX       |
| 11030305    | MX 831 K450 | 114,3              | 1,28        |                    |          |
| 11030307    | MX 831 K750 | 190,5              | 1,80        |                    |          |

## 821 Catena rettilinea Straight running chain / Geradegängige Scharnierbandkette

Delivery: **Easy** **Standard**

Pins: Stainless Steel | Backflex radius min.: 50 mm



80 links



pg. 82/109



pg. 651>661

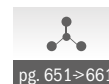
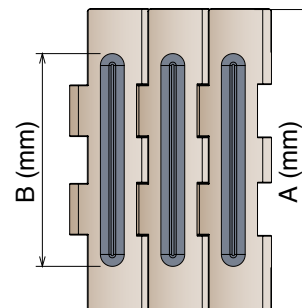
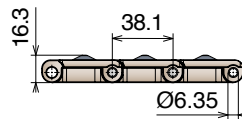
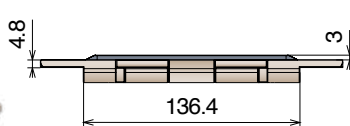
| Article-Nr. | Ref.          | A (Plate Width) mm | Weight kg/m | Max working load N | Material |
|-------------|---------------|--------------------|-------------|--------------------|----------|
| 11040107    | LF 821 K750   | 190,5              | 2,55        | 2770               | LF       |
| 11040108    | LF 821 K1000  | 254,0              | 3,05        |                    |          |
| 11040109    | LF 821 K1200  | 304,8              | 3,35        |                    |          |
| 11040307    | MX 821 K750   | 190,5              | 2,55        | 2200               | MX       |
| 11040308    | MX 821 K1000  | 254,0              | 3,05        |                    |          |
| 11040309    | MX 821 K1200  | 304,8              | 3,35        |                    |          |
| 11042507    | MPX 821 K750  | 190,5              | 2,55        | 2770               | MPX      |
| 11042508    | MPX 821 K1000 | 254,0              | 3,05        |                    |          |
| 11042509    | MPX 821 K1200 | 304,8              | 3,35        |                    |          |

## 821 GT

Catena rettilinea  
Straight running chain / Geradegängige Scharnierbandkette

Delivery: **Easy** **Standard**

Pins: Stainless Steel | Backflex radius min.: 50 mm | TPE Rubber: 50 ShA



| Article-Nr. | Ref.            | A (Plate Width) mm | B (Rubber Width) mm | Weight kg/m | Max working load N | Material |
|-------------|-----------------|--------------------|---------------------|-------------|--------------------|----------|
| 11050107    | LF 821 GT K750  | 190,5              | 134,0               | 2,55        | 2770               | LF       |
| 11050108    | LF 821 GT K1000 | 254,0              | 192,0               | 3,05        |                    |          |
| 11050109    | LF 821 GT K1200 | 304,8              | 252,0               | 3,35        |                    |          |
| 11050307    | MX 821 GT K750  | 190,5              | 134,0               | 2,55        | 2200               | MX       |
| 11050308    | MX 821 GT K1000 | 254,0              | 192,0               | 3,05        |                    |          |
| 11050309    | MX 821 GT K1200 | 304,8              | 252,0               | 3,35        |                    |          |

# 821 LBP

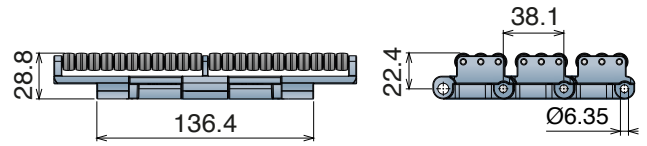
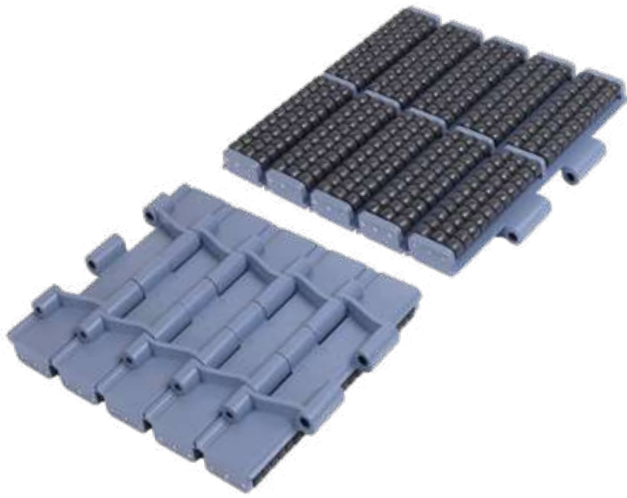
Catene in plastica / Plastic chains / Kunststoffkette

## 821 LBP

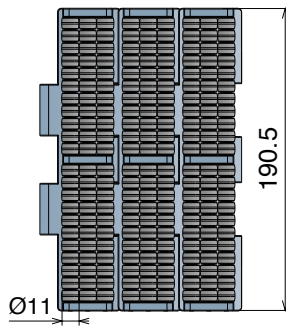
Catena rettilinea  
Straight running chain / Geradegängige Scharnierbandkette

Delivery: **Easy** **Standard**

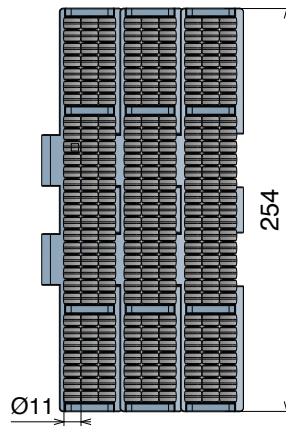
Pins: Stainless Steel | Backflex radius min.: 150 mm



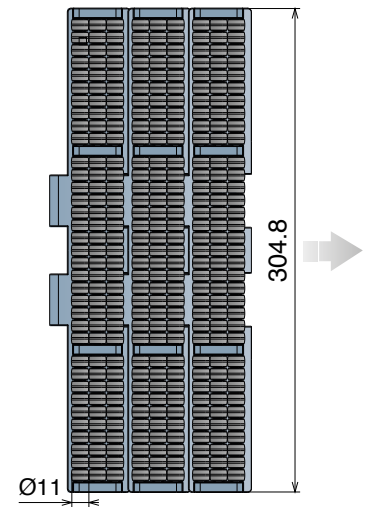
### K750



### K1000



### K1200



|                   |            |             |
|-------------------|------------|-------------|
| 5 feet<br>1.524 m |            |             |
| 40 links          | pg. 82/109 | pg. 651>661 |

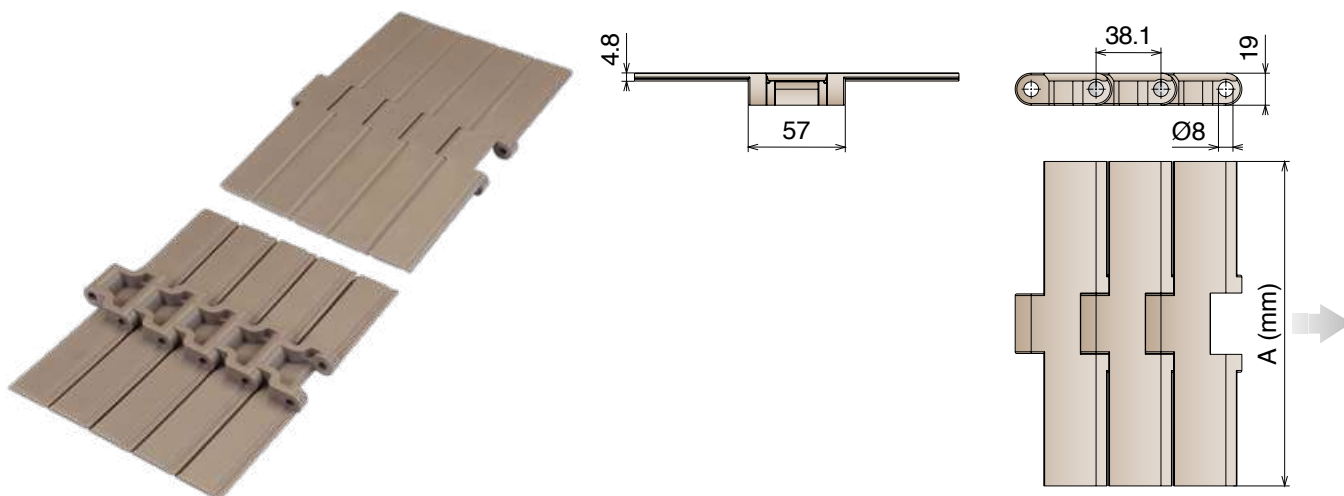
| Article-Nr. | Ref.              | Plate Width mm | Weight kg/m | Max working load N | Material |
|-------------|-------------------|----------------|-------------|--------------------|----------|
| 11060107    | LFA 821 LBP K750  | 190,5          | 5,70        | 2770               | LFA      |
| 11060108    | LFA 821 LBP K1000 | 254,0          | 7,05        |                    |          |
| 11060109    | LFA 821 LBP K1200 | 304,8          | 8,21        |                    |          |

# 8257

Catena rettilinea  
Straight running chain / Geradegängige Scharnierbandkette

Delivery: **Easy** Standard

Pins: Stainless Steel | Backflex radius min.: 50 mm



10 feet  
3.048 m



pg. 90-91/110



pg. 651>661

80 links

| Article-Nr. | Ref.          | A (Plate Width)<br>mm | Weight<br>kg/m | Max working load<br>N | Material |
|-------------|---------------|-----------------------|----------------|-----------------------|----------|
| 11070107    | LF 8257 K750  | 190,5                 | 2,55           | 3830                  | LF       |
| 11070108    | LF 8257 K1000 | 254,0                 | 3,05           |                       |          |
| 11070109    | LF 8257 K1200 | 304,8                 | 3,35           |                       |          |
| 11070307    | MX 8257 K750  | 190,5                 | 2,55           | 3050                  | MX       |
| 11070308    | MX 8257 K1000 | 254,0                 | 3,05           |                       |          |
| 11070309    | MX 8257 K1200 | 304,8                 | 3,35           |                       |          |

# 8257 GT

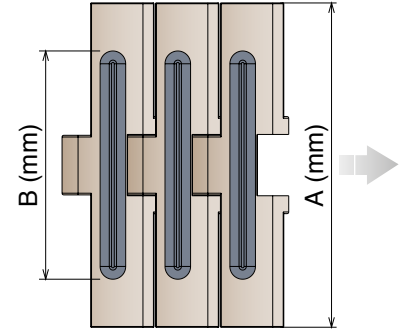
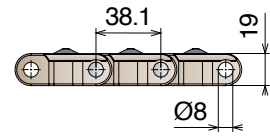
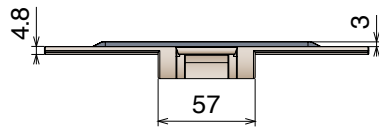
Catene in plastica / Plastic chains / Kunststoffkette

## 8257 GT

Catena rettilinea  
Straight running chain / Geradegängige Scharnierbandkette

Delivery: **Easy** **Standard**

Pins: Stainless Steel | Backflex radius min.: 50 mm | TPE Rubber: 50 ShA



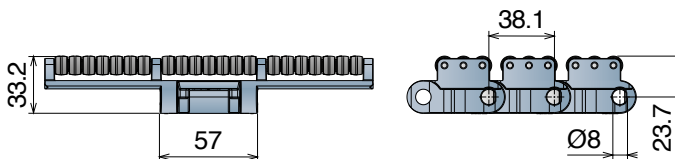
| Article-Nr. | Ref.             | A (Plate Width) mm | B (Rubber Width) mm | Weight kg/m | Max working load N | Material |
|-------------|------------------|--------------------|---------------------|-------------|--------------------|----------|
| 11080107    | LF 8257 GT K750  | 190,5              | 134,0               | 2,55        | 3830               | LF       |
| 11080108    | LF 8257 GT K1000 | 254,0              | 192,0               | 2,60        |                    |          |
| 11080109    | LF 8257 GT K1200 | 304,8              | 252,0               | 2,95        |                    |          |

## 8257 LBP

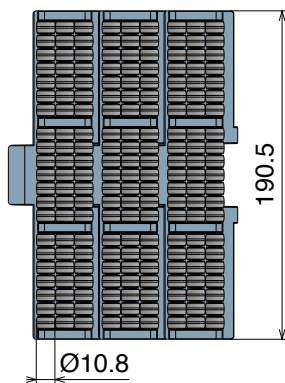
Catena rettilinea  
Straight running chain / Geradegängige Scharnierbandkette

Delivery: **Easy** Standard

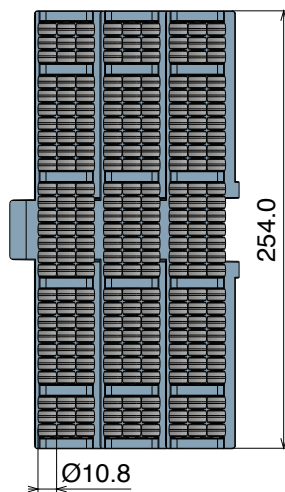
Pins: Stainless Steel | Backflex radius min.: 200 mm



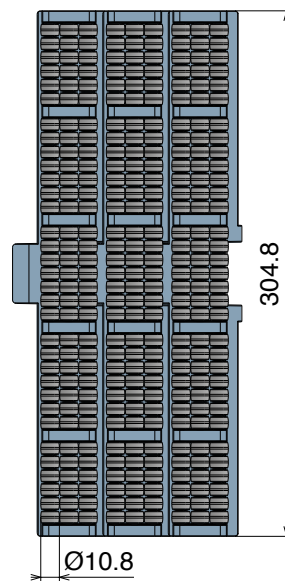
### K750



### K1000



### K1200



|                   |               |             |
|-------------------|---------------|-------------|
| 5 feet<br>1.524 m | pg. 90-91/110 | pg. 651>661 |
| 40 links          |               |             |

| Article-Nr. | Ref.               | A (Plate Width) mm | Weight kg/m | Max working load N | Material |
|-------------|--------------------|--------------------|-------------|--------------------|----------|
| 11090107    | LFA 8257 LBP K750  | 190,5              | 5,65        | 3830               | LFA      |
| 11090108    | LFA 8257 LBP K1000 | 254,0              | 7,16        |                    |          |
| 11090109    | LFA 8257 LBP K1200 | 304,8              | 8,05        |                    |          |

# 878 TAB

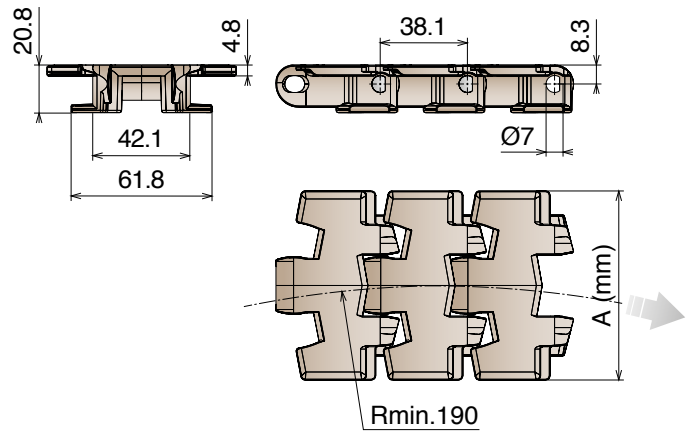
Catene in plastica / Plastic chains / Kunststoffkette

## 878 TAB

Catena curvilinea  
Sideflexing chain / Kurvengängige Scharnierbandkette

Delivery: **Easy** **Standard**

Pins: Stainless Steel | Backflex radius min.: 50 mm



### TAB SYSTEM



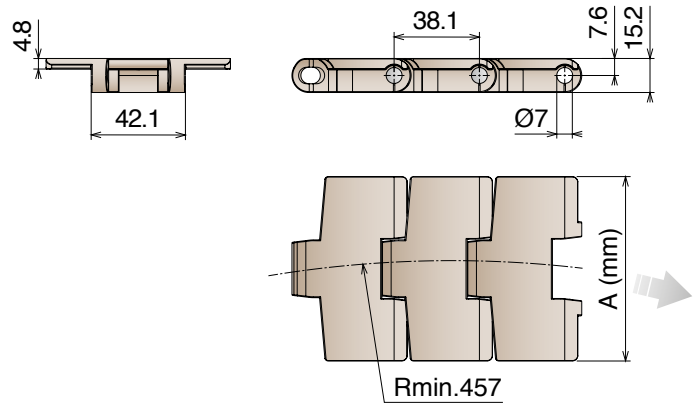
| Article-Nr. | Ref.             | A (Plate Width) mm | Weight kg/m | Max working load N | Material |
|-------------|------------------|--------------------|-------------|--------------------|----------|
| 11190102    | LF 878 TAB K325  | 82,5               | 1,06        | 2200               | LF       |
| 11190105    | LF 878 TAB K450  | 114,3              | 1,18        |                    |          |
| 11190302    | MX 878 TAB K325  | 82,5               | 1,06        | 1750               | MX       |
| 11190305    | MX 878 TAB K450  | 114,3              | 1,18        |                    |          |
| 11191602    | DKM 878 TAB K325 | 82,5               | 1,06        | 2200               | DKM      |
| 11191605    | DKM 878 TAB K450 | 114,3              | 1,18        |                    |          |



## 879 M Catena curvilinea Sideflexing chain / Kurvengängige Scharnierbandkette

Delivery: **Easy** **Standard**

Pins: Ferritic Stainless Steel | Backflex radius min.: 50 mm



**MAGNETIC SYSTEM**

10 feet  
3.048 m  
80 links

pg. 88-89/108

pg. 115->128

pg. 651>661

| Article-Nr. | Ref.          | A (Plate Width)<br>mm | R<br>mm | Weight<br>kg/m | Max working load<br>N | Material |
|-------------|---------------|-----------------------|---------|----------------|-----------------------|----------|
| 11240102    | LF 879 M K325 | 82,5                  | 457     | 1,05           | 2200                  | LF       |
| 11240105    | LF 879 M K450 | 114,3                 | 457     | 1,15           |                       |          |
| 11240302    | MX 879 M K325 | 82,5                  | 457     | 1,05           | 1750                  | MX       |
| 11240305    | MX 879 M K450 | 114,3                 | 457     | 1,15           |                       |          |

# 879 TAB

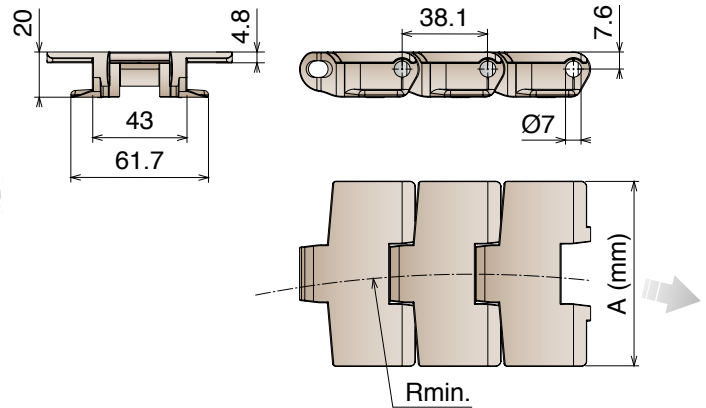
Catene in plastica / Plastic chains / Kunststoffkette

## 879 TAB

Catena curvilinea  
Sideflexing chain / Kurvengängige Scharnierbandkette

Delivery: **Easy** Standard

Pins: Stainless Steel | Backflex radius min.: 50 mm



### TAB SYSTEM

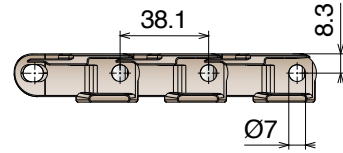
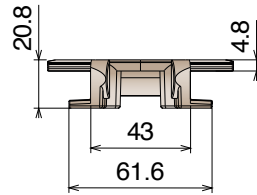


| Article-Nr. | Ref.             | A (Plate Width)<br>mm | R<br>mm | Weight<br>kg/m | Max working load<br>N | Material |
|-------------|------------------|-----------------------|---------|----------------|-----------------------|----------|
| 11250102    | LF 879 TAB K325  | 82,5                  | 457     | 1,01           | 2200                  | LF       |
| 11250105    | LF 879 TAB K450  | 114,3                 | 610     | 1,13           |                       |          |
| 11250302    | MX 879 TAB K325  | 82,5                  | 457     | 1,01           | 1750                  | MX       |
| 11250305    | MX 879 TAB K450  | 114,3                 | 610     | 1,13           |                       |          |
| 11252502    | MPX 879 TAB K325 | 82,5                  | 457     | 1,01           | 2200                  | MPX      |
| 11252505    | MPX 879 TAB K450 | 114,3                 | 610     | 1,13           |                       |          |
| 11251702    | MWX 879 TAB K325 | 82,5                  | 457     | 1,01           | 2200                  | MWX      |
| 11251705    | MWX 879 TAB K450 | 114,3                 | 610     | 1,13           |                       |          |

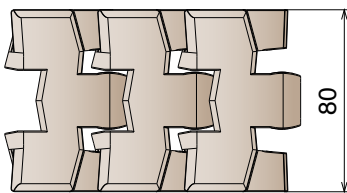
## 888 TAB

Catena curvilinea  
Sideflexing chain / Kurvengängige Scharnierbandkette

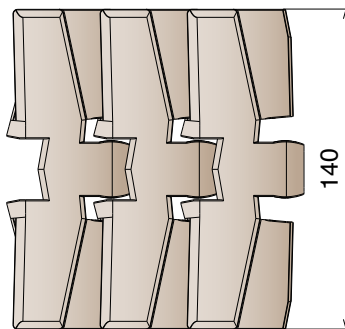
Pins: Stainless Steel | Backflex radius min.: 150 mm



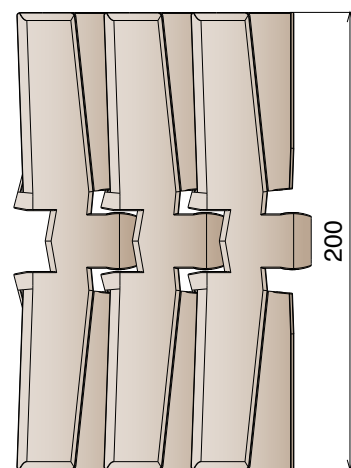
### W80



### W140



### W200



#### TAB SYSTEM



| Article-Nr. | Ref.            | Plate Width mm | R mm | Weight kg/m | Max working load N | Material |
|-------------|-----------------|----------------|------|-------------|--------------------|----------|
| 11700119    | LF 888 TAB W80  | 80,0           | 200  | 1,05        | 2200               | LF       |
| 11700120    | LF 888 TAB W140 | 140,0          | 500  | 1,32        |                    |          |
| 11700121    | LF 888 TAB W200 | 200,0          | 500  | 1,62        |                    |          |

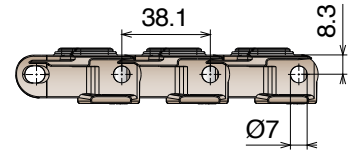
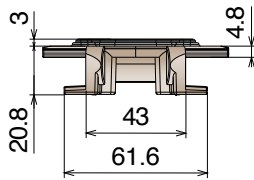
# 888 TAB GT

Catene in plastica / Plastic chains / Kunststoffkette

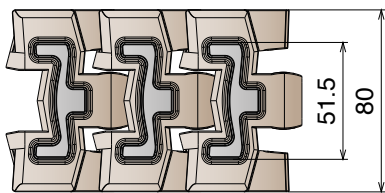
## 888 TAB GT

Catena curvilinea  
Sideflexing chain / Kurvengängige Scharnierbandkette

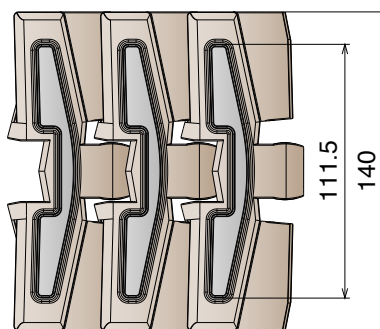
Pins: Stainless Steel | Backflex radius min.: 150 mm | TPE Rubber: 75 ShA



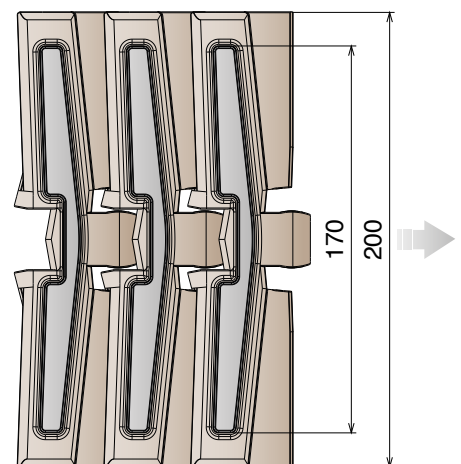
W80



W140



W200



### TAB SYSTEM

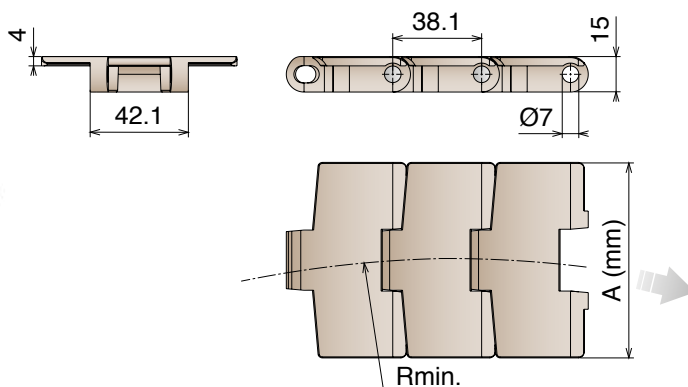
|  |   |   |   |   |
|--|---|---|---|---|
|  10 feet<br>3.048 m |  pg. 88-89 |  pg. 103-104 |  pg. 165/175 |  pg. 651>661 |
| 80 links   |   |   |   |   |

| Article-Nr. | Ref.               | Plate Width mm | R mm | Weight kg/m | Max working load N | Material |
|-------------|--------------------|----------------|------|-------------|--------------------|----------|
| 11710119    | LF 888 TAB GT W80  | 80,0           | 200  | 1,15        | 2200               | LF       |
| 11710120    | LF 888 TAB GT W140 | 140,0          | 500  | 1,43        |                    |          |
| 11710121    | LF 888 TAB GT W200 | 200,0          | 500  | 1,75        |                    |          |

## 880 M Catena curvilinea Sideflexing chain / Kurvengängige Scharnierbandkette

Delivery: **Easy** **Standard**

Pins: Ferritic Stainless Steel | Backflex radius min.: 50 mm



### MAGNETIC SYSTEM

10 feet  
3.048 m  
80 links

pg. 88-89/108

pg. 115>128

pg. 651>661

| Article-Nr. | Ref.           | A (Plate Width)<br>mm | R<br>mm | Weight<br>kg/m | Max working load<br>N | Material |
|-------------|----------------|-----------------------|---------|----------------|-----------------------|----------|
| 11100102    | LF 880 M K325  | 82,5                  | 457     | 1,05           | 2200                  | LF       |
| 11100103    | LF 880 M K330  | 83,8                  | 457     | 1,09           |                       |          |
| 11100105    | LF 880 M K450  | 114,3                 | 457     | 1,15           |                       |          |
| 11100302    | MX 880 M K325  | 82,5                  | 457     | 1,05           | 1750                  | MX       |
| 11100303    | MX 880 M K330  | 83,8                  | 457     | 1,09           |                       |          |
| 11100305    | MX 880 M K450  | 114,3                 | 457     | 1,15           |                       |          |
| 11103002    | PFX 880 M K325 | 82,5                  | 457     | 1,05           | 1750                  | PFX      |
| 11103003    | PFX 880 M K330 | 83,8                  | 457     | 1,09           |                       |          |
| 11103005    | PFX 880 M K450 | 114,3                 | 457     | 1,15           |                       |          |
| 11102502    | MPX 880 M K325 | 82,5                  | 457     | 1,05           | 2200                  | MPX      |
| 11102503    | MPX 880 M K330 | 83,8                  | 457     | 1,09           |                       |          |
| 11102505    | MPX 880 M K450 | 114,3                 | 457     | 1,15           |                       |          |
| 11101702    | MWX 880 M K325 | 82,5                  | 457     | 1,05           | 2200                  | MWX      |
| 11101703    | MWX 880 M K330 | 83,8                  | 457     | 1,09           |                       |          |
| 11101705    | MWX 880 M K450 | 114,3                 | 457     | 1,15           |                       |          |

# 880 TAB

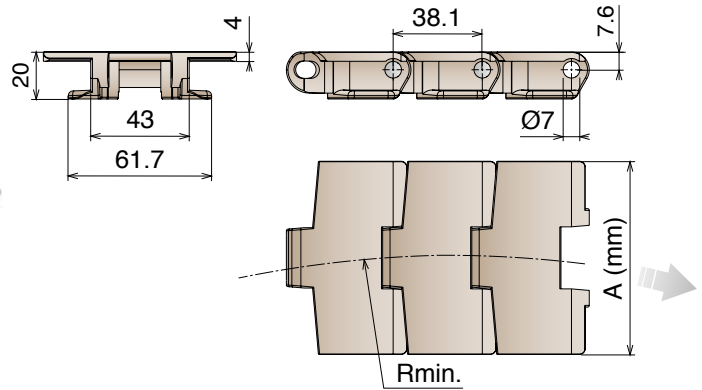
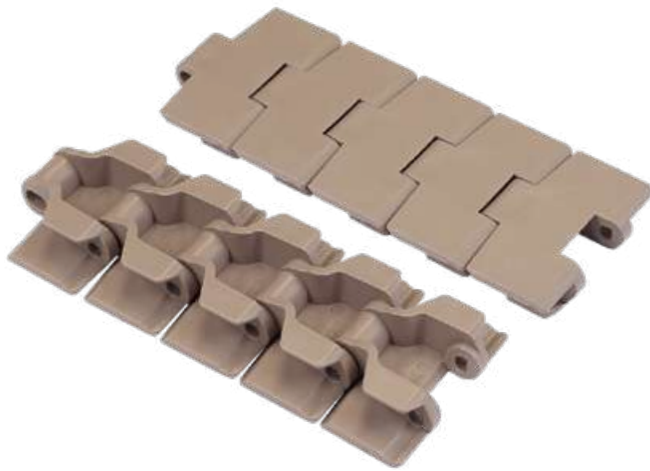
Catene in plastica / Plastic chains / Kunststoffkette

## 880 TAB

Catena curvilinea  
Sideflexing chain / Kurvengängige Scharnierbandkette

Delivery: **Easy** **Standard**

Pins: Stainless Steel | Backflex radius min.: 40 mm



### TAB SYSTEM



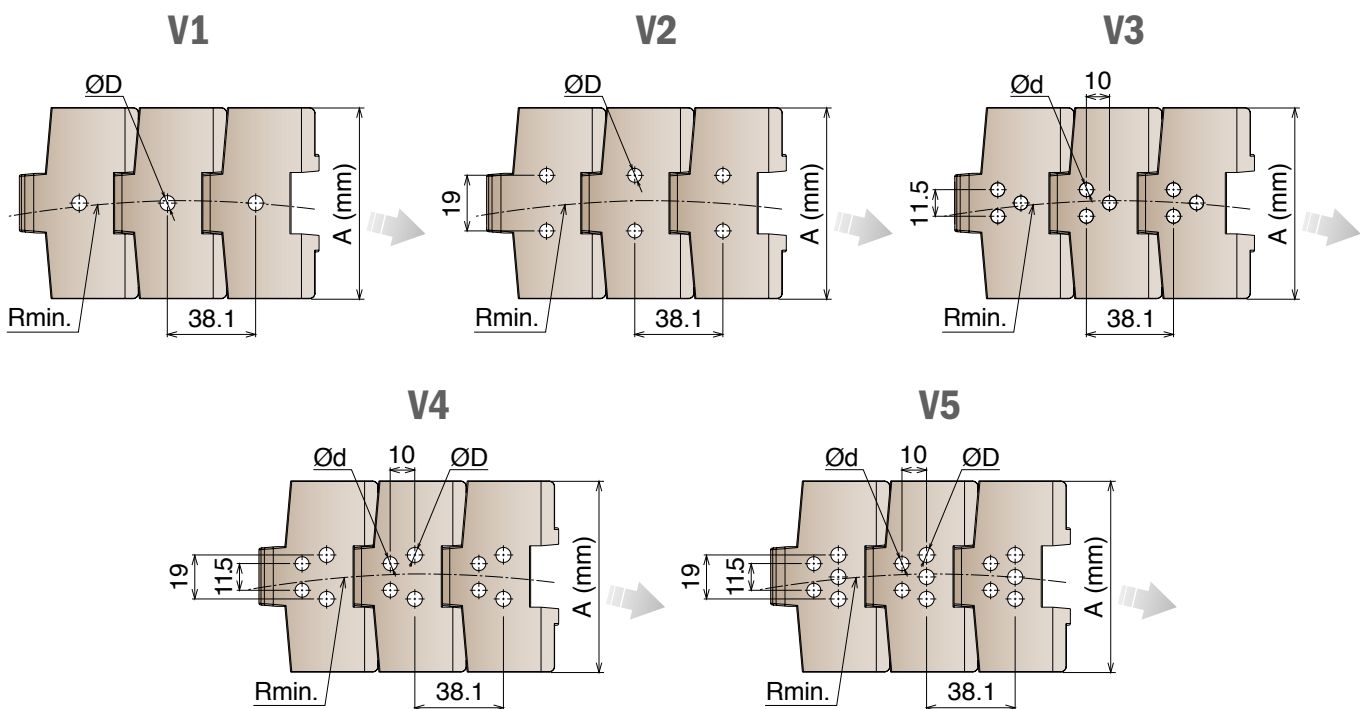
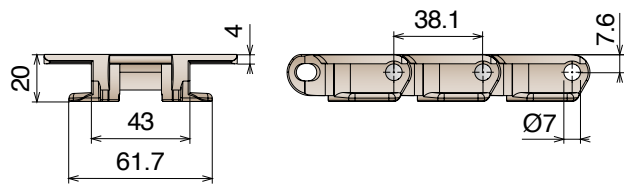
| Article-Nr. | Ref.             | A (Plate Width) mm | R mm | Weight kg/m | Max working load N | Material |
|-------------|------------------|--------------------|------|-------------|--------------------|----------|
| 11110102    | LF 880 TAB K325  | 82,5               | 457  | 1,015       | 2200               | LF       |
| 11110103    | LF 880 TAB K330  | 83,8               | 457  | 1,018       |                    |          |
| 11110105    | LF 880 TAB K450  | 114,3              | 457  | 1,09        |                    |          |
| 11110302    | MX 880 TAB K325  | 82,5               | 457  | 1,015       | 1750               | MX       |
| 11110303    | MX 880 TAB K330  | 83,8               | 457  | 1,018       |                    |          |
| 11110305    | MX 880 TAB K450  | 114,3              | 457  | 1,09        |                    |          |
| 11113002    | PFX 880 TAB K325 | 82,5               | 457  | 1,015       | 1750               | PFX      |
| 11113003    | PFX 880 TAB K330 | 83,8               | 457  | 1,018       |                    |          |
| 11113005    | PFX 880 TAB K450 | 114,3              | 457  | 1,09        |                    |          |
| 11112502    | MPX 880 TAB K325 | 82,5               | 457  | 1,015       | 2200               | MPX      |
| 11112503    | MPX 880 TAB K330 | 83,8               | 457  | 1,018       |                    |          |
| 11112505    | MPX 880 TAB K450 | 114,3              | 457  | 1,09        |                    |          |
| 11111602    | DKM 880 TAB K325 | 82,5               | 457  | 1,015       | 2200               | DKM      |
| 11111603    | DKM 880 TAB K330 | 83,8               | 457  | 1,018       |                    |          |
| 11111605    | DKM 880 TAB K450 | 114,3              | 457  | 1,09        |                    |          |
| 11111702    | MWX 880 TAB K325 | 82,5               | 457  | 1,015       | 2200               | MWX      |
| 11111703    | MWX 880 TAB K330 | 83,8               | 457  | 1,018       |                    |          |
| 11111705    | MWX 880 TAB K450 | 114,3              | 457  | 1,09        |                    |          |

## 880 V TAB

Catena curvilinea  
Sideflexing chain / Kurvengängige Scharnierbandkette

Delivery: **Easy** Standard

Pins: Stainless Steel | Backflex radius min.: 40 mm



### TAB SYSTEM

10 feet  
3.048 m  
80 links

pg. 88-89

pg. 163/175

pg. 651>661

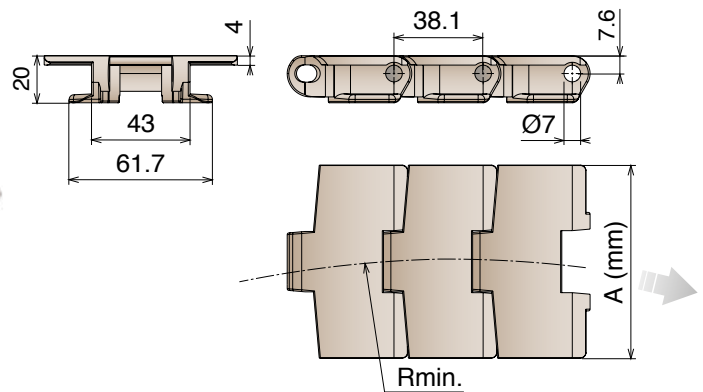
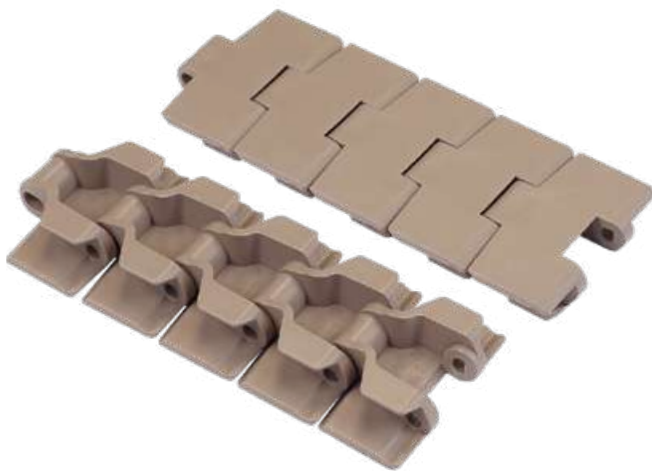
| Article-Nr. | Ref.           | A (Plate Width) mm | R mm | Weight kg/m | ØD mm | Ød mm | Max working load N | Material |
|-------------|----------------|--------------------|------|-------------|-------|-------|--------------------|----------|
| 11560102    | LF 880 V1 K325 | 82,5               | 457  | 1,015       | 6,5   | 6     | 2200               | LF       |
| 11570102    | LF 880 V2 K325 | 82,5               | 457  | 1,015       |       |       |                    |          |
| 11580102    | LF 880 V3 K325 | 82,5               | 457  | 1,015       |       |       |                    |          |
| 11560102-V4 | LF 880 V4 K325 | 82,5               | 457  | 1,015       |       |       |                    |          |
| 11560102-V5 | LF 880 V5 K325 | 82,5               | 457  | 1,015       |       |       |                    |          |
| 11570105    | LF 880 V2 K450 | 114,3              | 457  | 1,09        |       |       |                    |          |

# 880 TAB Plastic pin-880 TAB BO

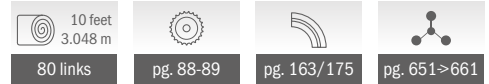
Catene in plastica / Plastic chains / Kunststoffkette

## 880 TAB Plastic pin *Catena curvilinea con perno in plastica* *Sideflexing chain with plastic pin / Kurvengängige Scharnierbandkette mit plastic bolzen*

Pins: Reinforced acetal resin | Backflex radius min.: 40 mm



### TAB SYSTEM

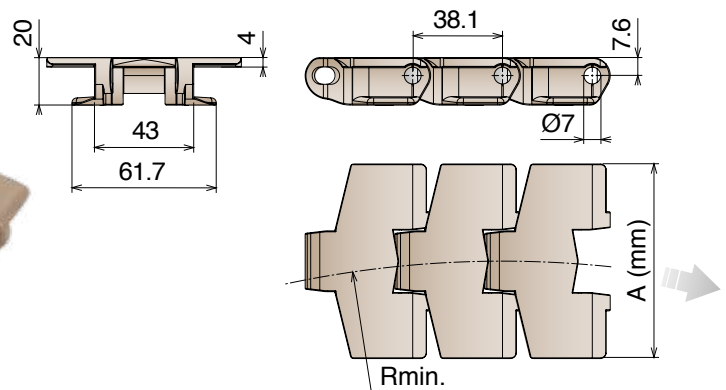


| Article-Nr. | Ref.            | A (Plate Width) mm | R mm | Weight kg/m | Max working load N | Material |
|-------------|-----------------|--------------------|------|-------------|--------------------|----------|
| 11660102    | LF 880 TAB K325 | 82,5               | 457  | 0,815       | 550                | LF       |
| 11660105    | LF 880 TAB K450 | 114,3              | 457  | 0,89        |                    |          |

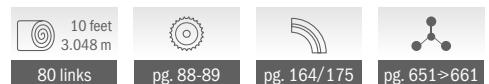
## 880 TAB BO *Catena curvilinea* *Sideflexing chain / Kurvengängige Scharnierbandkette*

Delivery: **Easy** Standard

Pins: Stainless Steel | Backflex radius min.: 40 mm



### TAB SYSTEM



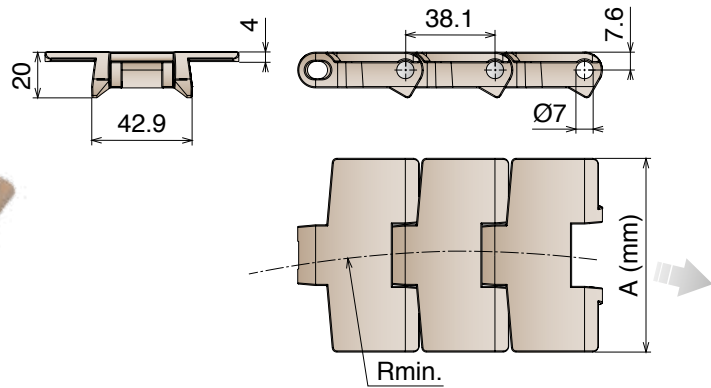
| Article-Nr. | Ref.               | A (Plate Width) mm | R mm | Weight kg/m | Max working load N | Material |
|-------------|--------------------|--------------------|------|-------------|--------------------|----------|
| 11260102    | LF 880 TAB BO K325 | 82,5               | 190  | 0,96        | 1680               | LF       |
| 11260105    | LF 880 TAB BO K450 | 114,3              | 190  | 1,10        |                    |          |
| 11260302    | MX 880 TAB BO K325 | 82,5               | 190  | 0,96        | 1350               | MX       |
| 11260305    | MX 880 TAB BO K450 | 114,3              | 190  | 1,10        |                    |          |



## 880 B Catena curvilinea Sideflexing chain / Kurvengängige Scharnierbandkette

Delivery: **Easy** **Standard**

Pins: Stainless Steel | Backflex radius min.: 40 mm



### BEVEL SYSTEM

10 feet  
3.048 m  
80 links

pg. 88-89

pg. 174

pg. 651>661

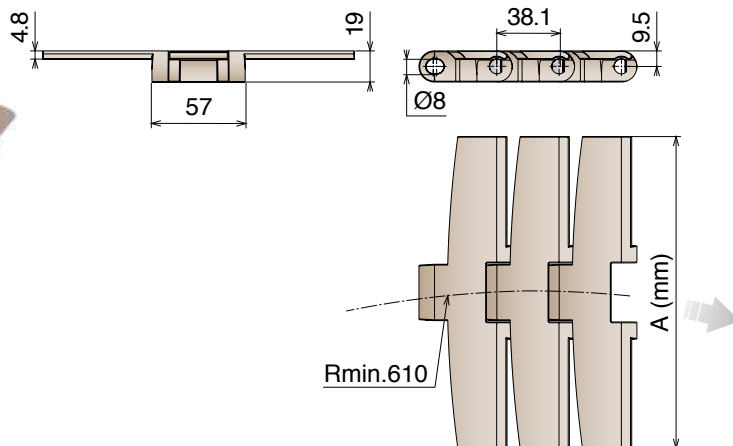
| Article-Nr. | Ref.          | A (Plate Width)<br>mm | R<br>mm | Weight<br>kg/m | Max working load<br>N | Material |
|-------------|---------------|-----------------------|---------|----------------|-----------------------|----------|
| 11120102    | LF 880 B K325 | 82,5                  | 457     | 0,89           | 2200                  | LF       |
| 11120104    | LF 880 B K350 | 88,9                  | 457     | 0,93           |                       |          |
| 11120105    | LF 880 B K450 | 114,3                 | 457     | 1,05           |                       |          |
| 11120302    | MX 880 B K325 | 82,5                  | 457     | 0,89           | 1750                  | MX       |
| 11120304    | MX 880 B K350 | 88,9                  | 457     | 0,93           |                       |          |
| 11120305    | MX 880 B K450 | 114,3                 | 457     | 1,05           |                       |          |

## 882 M

Catena curvilinea  
Sideflexing chain / Kurvengängige Scharnierbandkette

Delivery: **Easy** **Standard**

Pins: Ferritic Stainless Steel | Backflex radius min.: 50 mm



### MAGNETIC SYSTEM



80 links



pg. 90-91/110



pg. 131->136



pg. 651>661

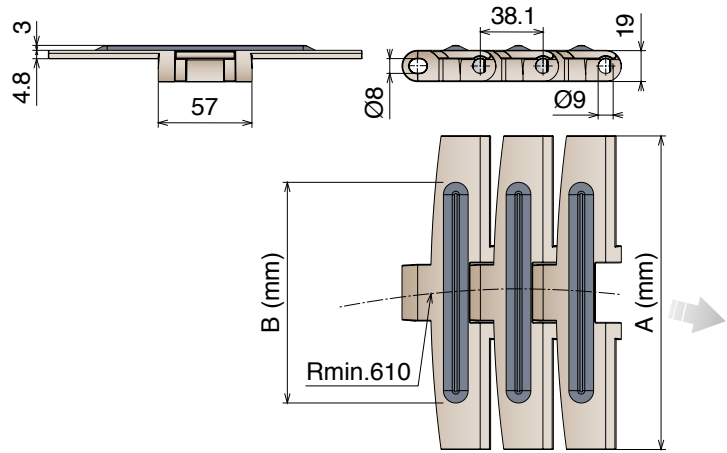
| Article-Nr. | Ref.           | A (Plate Width) mm | Weight kg/m | Max working load N | Material |
|-------------|----------------|--------------------|-------------|--------------------|----------|
| 11130107    | LF 882 M K750  | 190,5              | 2,14        | 3830               | LF       |
| 11130108    | LF 882 M K1000 | 254,0              | 2,45        |                    |          |
| 11130109    | LF 882 M K1200 | 304,8              | 2,68        |                    |          |
| 11130307    | MX 882 M K750  | 190,5              | 2,14        | 3050               | MX       |
| 11130308    | MX 882 M K1000 | 254,0              | 2,45        |                    |          |
| 11130309    | MX 882 M K1200 | 304,8              | 2,68        |                    |          |

## 882 M GT

Catena curvilinea  
Sideflexing chain / Kurvengängige Scharnierbandkette

Delivery: **Easy** **Standard**

Pins: Ferritic Stainless Steel | Backflex radius min.: 50 mm | TPE Rubber: 50 ShA



### MAGNETIC SYSTEM

5 feet  
1.524 m  
40 links

pg. 90-91/110

pg. 131->136

pg. 651->661

| Article-Nr. | Ref.              | A (Plate Width)<br>mm | B (Rubber Width)<br>mm | Weight<br>kg/ m | Max working load<br>N | Material |
|-------------|-------------------|-----------------------|------------------------|-----------------|-----------------------|----------|
| 11150107    | LF 882 M GT K750  | 190,5                 | 134,0                  | 2,10            | 3830                  | LF       |
| 11150108    | LF 882 M GT K1000 | 254,0                 | 197,0                  | 2,45            |                       |          |
| 11150109    | LF 882 M GT K1200 | 304,8                 | 249,0                  | 2,74            |                       |          |

# 882 M LBP

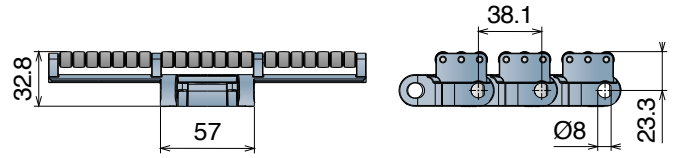
Catene in plastica / Plastic chains / Kunststoffkette

## 882 M LBP

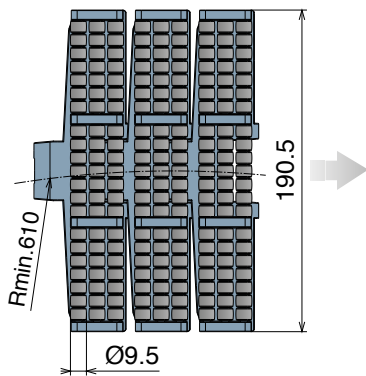
Catena curvilinea  
Sideflexing chain / Kurvengängige Scharnierbandkette

Delivery: **Easy** Standard

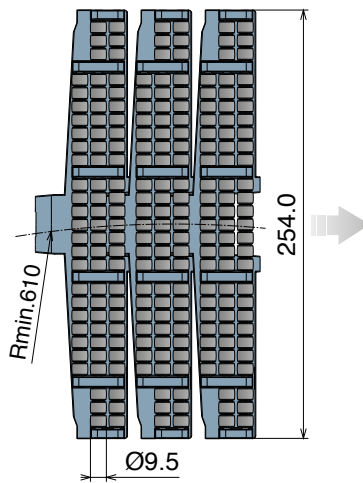
Pins: Ferritic Stainless Steel | Backflex radius min.: 150 mm



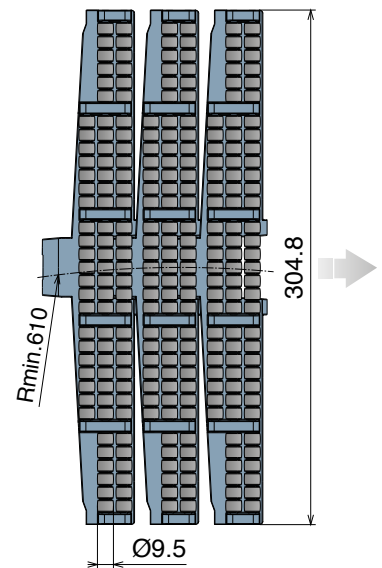
**K750**



**K1000**



**K1200**



### MAGNETIC SYSTEM

|                   |               |              |             |
|-------------------|---------------|--------------|-------------|
| 5 feet<br>1.524 m |               |              |             |
| 40 links          | pg. 90-91/110 | pg. 137->140 | pg. 651>661 |

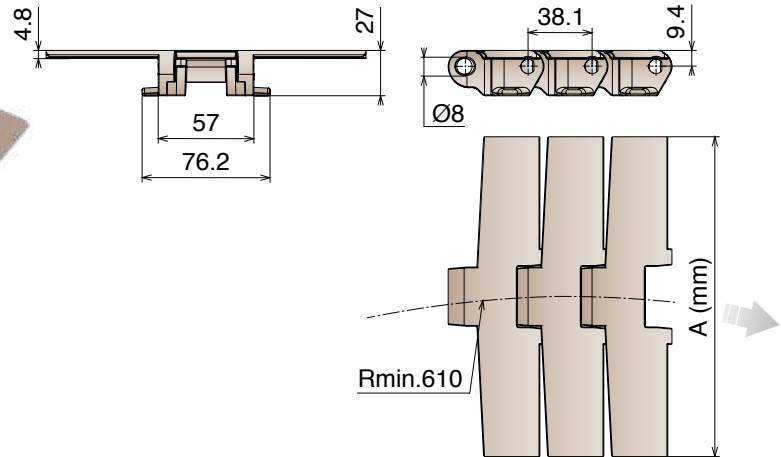
| Article-Nr. | Ref.                | A (Plate Width) mm | Weight kg/m | Max working load N | Material |
|-------------|---------------------|--------------------|-------------|--------------------|----------|
| 11170107    | LFA 882 M LBP K750  | 190,5              | 3,92        | 3830               | LFA      |
| 11170108    | LFA 882 M LBP K1000 | 254,0              | 4,94        |                    |          |
| 11170109    | LFA 882 M LBP K1200 | 304,8              | 5,82        |                    |          |

## 882 TAB

Catena curvilinea  
Sideflexing chain / Kurvengängige Scharnierbandkette

Delivery: **Easy** **Standard**

Pins: Stainless Steel | Backflex radius min.: 40 mm



### TAB SYSTEM



10 feet  
3.048 m



80 links



pg. 90-91/110



pg. 166/175



pg. 651->661

| Article-Nr. | Ref.              | A (Plate Width)<br>mm | Weight<br>kg/m | Max working load<br>N | Material |
|-------------|-------------------|-----------------------|----------------|-----------------------|----------|
| 11140105    | LF 882 TAB K450   | 114,3                 | 2,05           | 3830                  | LF       |
| 11140106    | LF 882 TAB K600   | 152,4                 | 2,20           |                       |          |
| 11140107    | LF 882 TAB K750   | 190,5                 | 2,45           |                       |          |
| 11140108    | LF 882 TAB K1000  | 254,0                 | 2,85           |                       |          |
| 11140109    | LF 882 TAB K1200  | 304,8                 | 3,40           |                       |          |
| 11140305    | MX 882 TAB K450   | 114,3                 | 2,05           | 3050                  | MX       |
| 11140306    | MX 882 TAB K600   | 152,4                 | 2,20           |                       |          |
| 11140307    | MX 882 TAB K750   | 190,5                 | 2,45           |                       |          |
| 11140308    | MX 882 TAB K1000  | 254,0                 | 2,85           |                       |          |
| 11140309    | MX 882 TAB K1200  | 304,8                 | 3,40           |                       |          |
| 11142505    | MPX 882 TAB K450  | 114,3                 | 2,05           | 3830                  | MPX      |
| 11142506    | MPX 882 TAB K600  | 152,4                 | 2,20           |                       |          |
| 11142507    | MPX 882 TAB K750  | 190,5                 | 2,45           |                       |          |
| 11142508    | MPX 882 TAB K1000 | 254,0                 | 2,85           |                       |          |
| 11142509    | MPX 882 TAB K1200 | 304,8                 | 3,40           |                       |          |
| 11141705    | MWX 882 TAB K450  | 114,3                 | 2,05           | 3830                  | MWX      |
| 11141706    | MWX 882 TAB K600  | 152,4                 | 2,20           |                       |          |
| 11141707    | MWX 882 TAB K750  | 190,5                 | 2,45           |                       |          |
| 11141708    | MWX 882 TAB K1000 | 254,0                 | 2,85           |                       |          |
| 11141709    | MWX 882 TAB K1200 | 304,8                 | 3,40           |                       |          |

# 882 TAB GT

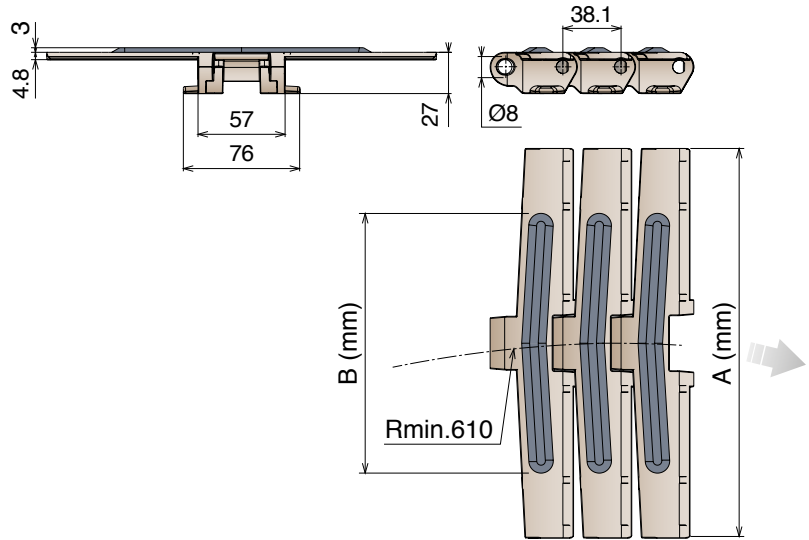
Catene in plastica / Plastic chains / Kunststoffkette

## 882 TAB GT

Catena curvilinea  
Sideflexing chain / Kurvengängige Scharnierbandkette

Delivery: **Easy** Standard

Pins: Stainless Steel | Backflex radius min.: 40 mm | TPE Rubber: 50 ShA



### TAB SYSTEM

5 feet  
1.524 m  
40 links

pg. 90-91/110

pg. 166/175

pg. 651>661

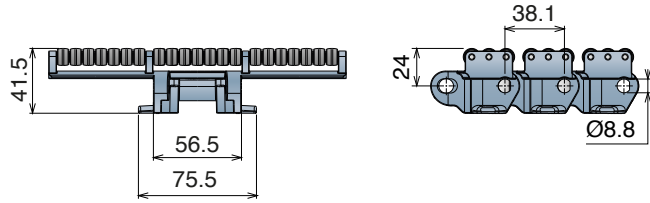
| Article-Nr. | Ref.                | A (Plate Width)<br>mm | B (Rubber Width)<br>mm | Weight<br>kg/m | Max working load<br>N | Material |
|-------------|---------------------|-----------------------|------------------------|----------------|-----------------------|----------|
| 11160107    | LF 882 TAB GT K750  | 190,5                 | 134,0                  | 2,37           | 3830                  | LF       |
| 11160108    | LF 882 TAB GT K1000 | 254,0                 | 197,0                  | 2,67           |                       |          |
| 11160109    | LF 882 TAB GT K1200 | 304,8                 | 249,0                  | 2,92           |                       |          |
| 11160307    | MX 882 TAB GT K750  | 190,5                 | 134,0                  | 2,37           | 3050                  | MX       |
| 11160308    | MX 882 TAB GT K1000 | 254,0                 | 197,0                  | 2,67           |                       |          |
| 11160309    | MX 882 TAB GT K1200 | 304,8                 | 249,0                  | 2,92           |                       |          |

## 882 TAB LBP

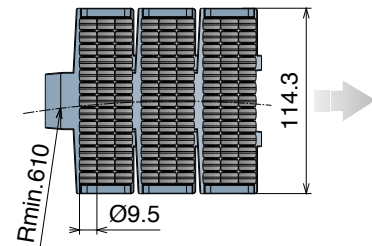
Catena curvilinea  
Sideflexing chain / Kurvengängige Scharnierbandkette

Delivery: **Easy** Standard

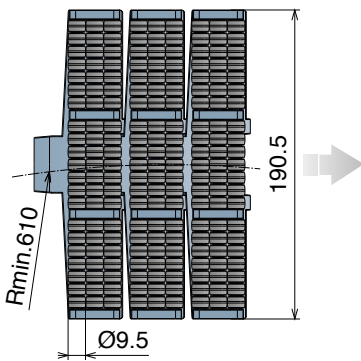
Pins: Stainless Steel | Backflex radius min.: 150 mm



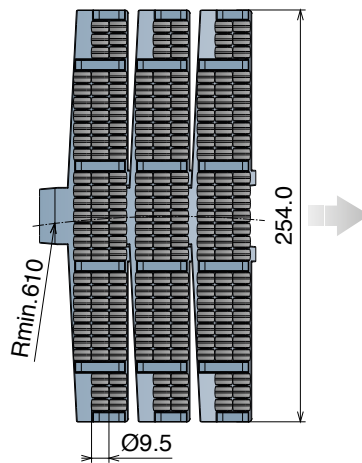
### K450



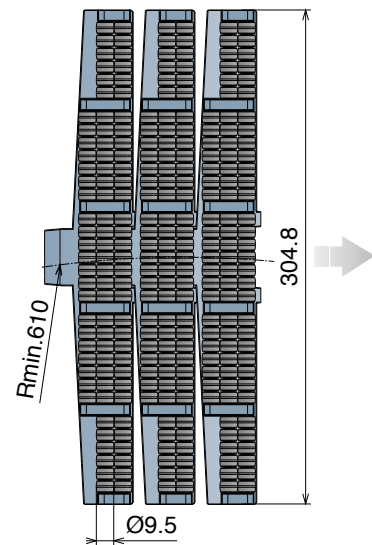
### K750



### K1000



### K1200



#### TAB SYSTEM

5 feet  
1.524 m  
40 links

pg. 90-91/110

pg. 166/175

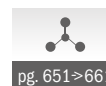
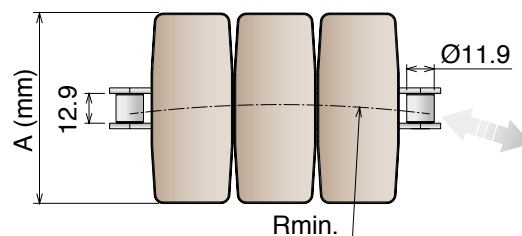
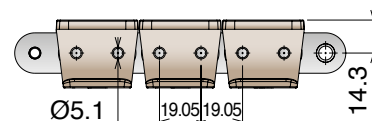
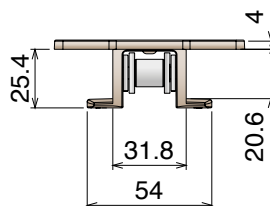
pg. 651>661

| Article-Nr. | Ref.                  | Plate Width mm | Weight kg/m | Max working load N | Material |
|-------------|-----------------------|----------------|-------------|--------------------|----------|
| 11180105    | LFA 882 TAB LBP K450  | 114,3          | 4,00        | 3830               | LFA      |
| 11180107    | LFA 882 TAB LBP K750  | 190,5          | 4,70        |                    |          |
| 11180108    | LFA 882 TAB LBP K1000 | 254,0          | 5,95        |                    |          |
| 11180109    | LFA 882 TAB LBP K1200 | 304,8          | 6,55        |                    |          |

## 1873 Catena curvilinea Sideflexing chain / Kurvengängige Plattenbandkette

Delivery: **Easy** **Standard**

The stainless steel version is supplied with LONG-LIFE SS roller chain. | Backflex radius min.: 210 mm



Standard length roller chain: 160 Pitches

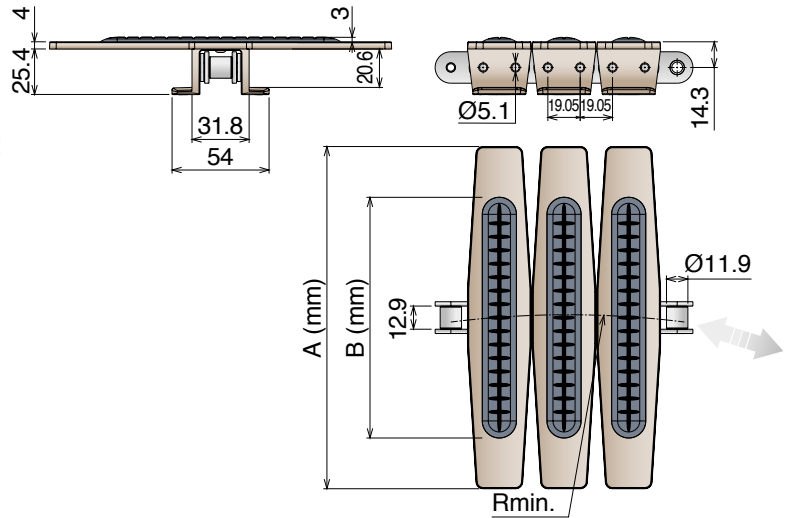
### TAB SYSTEM

| Article-Nr. | Chain           | Ref.                     | A (Plate Width) mm | R mm | Weight kg/m | Max working load N | Backflex radius min. mm | Material |     |    |
|-------------|-----------------|--------------------------|--------------------|------|-------------|--------------------|-------------------------|----------|-----|----|
| 11590102    | C45             | <b>LF 1873 TAB K325</b>  | 82,5               | 355  | 2,10        | 4500               | 180                     | LF       |     |    |
| 11600102    | Stainless Steel |                          | 82,5               | 355  | 2,10        | 3500               |                         |          |     |    |
| 11590105    | C45             | <b>LF 1873 TAB K450</b>  | 114,3              | 355  | 2,30        | 4500               |                         |          |     |    |
| 11600105    | Stainless Steel |                          | 114,3              | 355  | 2,30        | 3500               |                         |          |     |    |
| 11590106    | C45             | <b>LF 1873 TAB K600</b>  | 152,4              | 457  | 2,40        | 4500               |                         |          |     |    |
| 11600106    | Stainless Steel |                          | 152,4              | 457  | 2,40        | 3500               |                         |          |     |    |
| 11590107    | C45             | <b>LF 1873 TAB K750</b>  | 190,5              | 457  | 2,60        | 4500               |                         |          |     |    |
| 11600107    | Stainless Steel |                          | 190,5              | 457  | 2,60        | 3500               |                         |          |     |    |
| 11590108    | C45             | <b>LF 1873 TAB K1000</b> | 254,0              | 457  | 2,80        | 4500               |                         |          |     |    |
| 11600108    | Stainless Steel |                          | 254,0              | 457  | 2,80        | 3500               |                         |          |     |    |
| 11590109    | C45             | <b>LF 1873 TAB K1200</b> | 304,8              | 457  | 3,00        | 4500               |                         |          |     |    |
| 11600109    | Stainless Steel |                          | 304,8              | 457  | 3,00        | 3500               |                         |          |     |    |
| 11590302    | C45             | <b>MX 1873 TAB K325</b>  | 82,5               | 355  | 2,10        | 4500               |                         |          | 180 | MX |
| 11600302    | Stainless Steel |                          | 82,5               | 355  | 2,10        | 3500               |                         |          |     |    |
| 11590305    | C45             | <b>MX 1873 TAB K450</b>  | 114,3              | 355  | 2,30        | 4500               |                         |          |     |    |
| 11600305    | Stainless Steel |                          | 114,3              | 355  | 2,30        | 3500               |                         |          |     |    |
| 11590306    | C45             | <b>MX 1873 TAB K600</b>  | 152,4              | 457  | 2,40        | 4500               |                         |          |     |    |
| 11600306    | Stainless Steel |                          | 152,4              | 457  | 2,40        | 3500               |                         |          |     |    |
| 11590307    | C45             | <b>MX 1873 TAB K750</b>  | 190,5              | 457  | 2,60        | 4500               |                         |          |     |    |
| 11600307    | Stainless Steel |                          | 190,5              | 457  | 2,60        | 3500               |                         |          |     |    |
| 11590308    | C45             | <b>MX 1873 TAB K1000</b> | 254,0              | 457  | 2,80        | 4500               |                         |          |     |    |
| 11600308    | Stainless Steel |                          | 254,0              | 457  | 2,80        | 3500               |                         |          |     |    |
| 11590309    | C45             | <b>MX 1873 TAB K1200</b> | 304,8              | 457  | 3,00        | 4500               |                         |          |     |    |
| 11600309    | Stainless Steel |                          | 304,8              | 457  | 3,00        | 3500               |                         |          |     |    |



## 1873 GT Catena curvilinea Sideflexing chain / Kurvengängige Plattenbandkette

Delivery: **Easy** **Standard** *The stainless steel version is supplied with LONG-LIFE SS roller chain.* | TPE Rubber: 75 ShA | Backflex radius min.: 210 mm



Standard length roller chain: 160 Pitches

### TAB SYSTEM

10 feet  
3.048 m  
80 flights

**SPROCKET**  
ASA 60  
Standard on market

pg. 167/176

pg. 651>661

| Article-Nr. | Chain           | Ref.                 | A (Plate Width) mm | B (Rubber Width) mm | Weight kg/m | Max working load N | Sideflex radius min. mm | Material |
|-------------|-----------------|----------------------|--------------------|---------------------|-------------|--------------------|-------------------------|----------|
| 11610107    | C45             | LF 1873 GT TAB K750  | 190,5              | 134,0               | 2,60        | 4500               | 457                     | LF       |
| 11620107    | Stainless Steel |                      | 190,5              | 134,0               | 2,60        | 3500               |                         |          |
| 11610108    | C45             | LF 1873 GT TAB K1000 | 254,0              | 192,0               | 2,80        | 4500               |                         |          |
| 11620108    | Stainless Steel |                      | 254,0              | 192,0               | 2,80        | 3500               |                         |          |
| 11610109    | C45             | LF 1873 GT TAB K1200 | 304,8              | 252,0               | 3,00        | 4500               | 457                     |          |
| 11620109    | Stainless Steel |                      | 304,8              | 252,0               | 3,00        | 3500               |                         |          |

# 1873 GRIPPER GS1

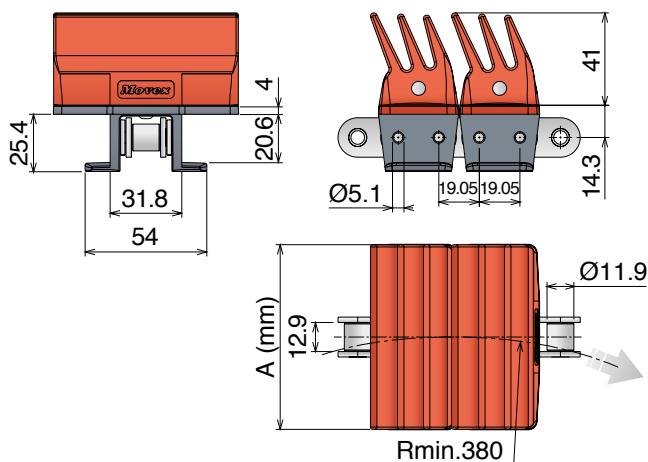
Catene in plastica / Plastic chains / Kunststoffkette

## 1873 GRIPPER GS1

Catena curvilinea  
Sideflexing chain / Kurvengängige Plattenbandkette

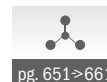
Delivery: **Easy** **Standard**

The stainless steel version is supplied with LONG-LIFE SS roller chain. | Backflex radius min.: 150 mm



Standard length roller chain: 160 Pitches

### TAB SYSTEM

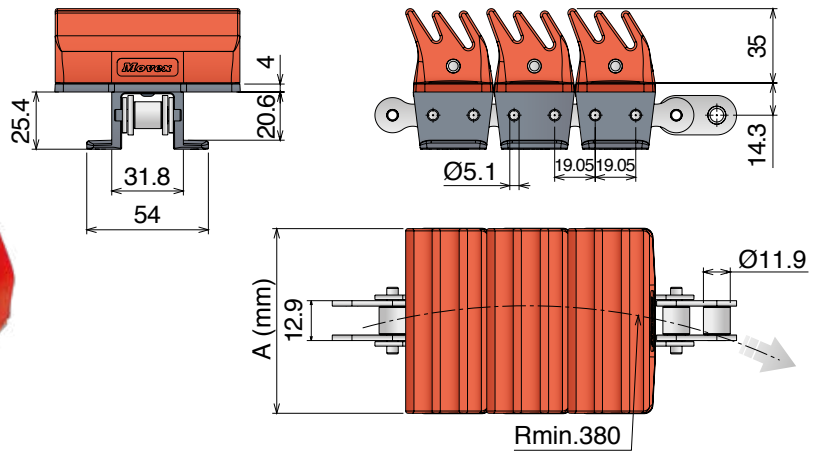
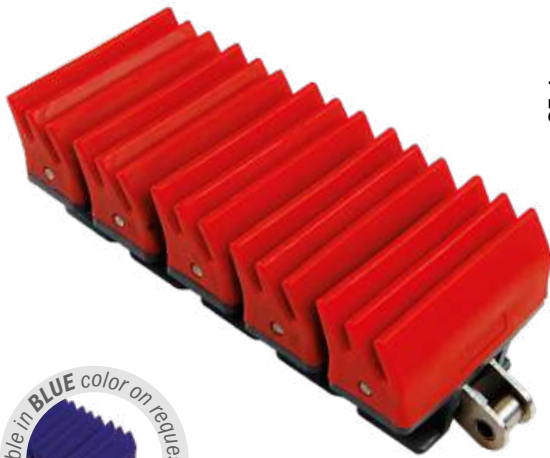


| Article-Nr.     | Chain               | Ref.                       | A (Width) mm | Max working load N | Weight kg/m | Rubber                                  | Material   |
|-----------------|---------------------|----------------------------|--------------|--------------------|-------------|---|------------|
| <b>11200102</b> | C45                 | <b>1873 TAB K325 GR</b>    | 82,5         | 4500               | 4,354       | Material:<br>TPR<br>Color:<br>Red       | <b>LFD</b> |
| <b>11200105</b> |                     | <b>1873 TAB K450 GR</b>    | 114,3        |                    |             |   |            |
| <b>11200202</b> | Nickel Plated Steel | <b>1873 NP TAB K325 GR</b> | 82,5         | 4500               | 4,354       |   |            |
| <b>11200205</b> |                     | <b>1873 NP TAB K450 GR</b> | 114,3        |                    |             |   |            |
| <b>11200302</b> | Stainless Steel     | <b>1873 SS TAB K325 GR</b> | 82,5         | 3500               | 4,354       |   |            |
| <b>11200305</b> |                     | <b>1873 SS TAB K450 GR</b> | 114,3        |                    |             |   |            |
| <b>11320102</b> | C45                 | <b>1873 TAB K325 GR</b>    | 82,5         | 4500               | 4,354       | Material:<br>TPR<br>Color:<br>Red       | <b>MX</b>  |
| <b>11320105</b> |                     | <b>1873 TAB K450 GR</b>    | 114,3        |                    |             |   |            |
| <b>11320202</b> | Nickel Plated Steel | <b>1873 NP TAB K325 GR</b> | 82,5         | 4500               | 4,354       |   |            |
| <b>11320205</b> |                     | <b>1873 NP TAB K450 GR</b> | 114,3        |                    |             |   |            |
| <b>11320302</b> | Stainless Steel     | <b>1873 SS TAB K325 GR</b> | 82,5         | 3500               | 4,354       |   |            |
| <b>11320305</b> |                     | <b>1873 SS TAB K450 GR</b> | 114,3        |                    |             |   |            |
| <b>11210102</b> | C45                 | <b>1873 TAB K325 GR</b>    | 82,5         | 4500               | 4,354       | Material:<br>EPDM-PP<br>Color:<br>Black | <b>PP</b>  |
| <b>11210105</b> |                     | <b>1873 TAB K450 GR</b>    | 114,3        |                    |             |   |            |
| <b>11210202</b> | Nickel Plated Steel | <b>1873 NP TAB K325 GR</b> | 82,5         | 4500               | 4,354       |   |            |
| <b>11210205</b> |                     | <b>1873 NP TAB K450 GR</b> | 114,3        |                    |             |   |            |
| <b>11210302</b> | Stainless Steel     | <b>1873 SS TAB K325 GR</b> | 82,5         | 3500               | 4,354       |   |            |
| <b>11210305</b> |                     | <b>1873 SS TAB K450 GR</b> | 114,3        |                    |             |   |            |
| <b>11330102</b> | C45                 | <b>1873 TAB K325 GR</b>    | 82,5         | 4500               | 4,354       | Material:<br>TPR<br>Color:<br>Red       | <b>MWX</b> |
| <b>11330105</b> |                     | <b>1873 TAB K450 GR</b>    | 114,3        |                    |             |   |            |
| <b>11330202</b> | Nickel Plated Steel | <b>1873 NP TAB K325 GR</b> | 82,5         | 4500               | 4,354       |   |            |
| <b>11330205</b> |                     | <b>1873 NP TAB K450 GR</b> | 114,3        |                    |             |   |            |
| <b>11330302</b> | Stainless Steel     | <b>1873 SS TAB K325 GR</b> | 82,5         | 3500               | 4,354       |   |            |
| <b>11330305</b> |                     | <b>1873 SS TAB K450 GR</b> | 114,3        |                    |             |   |            |

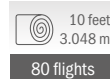
## 1873 GRIPPER GS2 Catena curvilinea Sideflexing chain / Kurvengängige Plattenbandkette

Delivery: **Easy** **Standard**

The stainless steel version is supplied with LONG-LIFE SS roller chain. | Backflex radius min.: 150 mm



### TAB SYSTEM



Standard length roller chain: 160 Pitches

| Article-Nr.     | Chain               | Ref.                       | A (Width) mm | Max working load N | Weight kg/m | Rubber            | Material   |
|-----------------|---------------------|----------------------------|--------------|--------------------|-------------|-------------------|------------|
| <b>11280102</b> | C45                 | <b>1873 TAB K325 GR</b>    | 82,5         | 4500               | 4,354       |                   | <b>LFD</b> |
| <b>11280105</b> |                     | <b>1873 TAB K450 GR</b>    | 114,3        |                    |             |                   |            |
| <b>11280202</b> | Nickel Plated Steel | <b>1873 NP TAB K325 GR</b> | 82,5         | 4500               | 4,354       | Material: TPR     |            |
| <b>11280205</b> |                     | <b>1873 NP TAB K450 GR</b> | 114,3        |                    |             | Color: Red        |            |
| <b>11280302</b> | Stainless Steel     | <b>1873 SS TAB K325 GR</b> | 82,5         | 3500               | 4,354       |                   |            |
| <b>11280305</b> |                     | <b>1873 SS TAB K450 GR</b> | 114,3        |                    |             |                   |            |
| <b>11340102</b> | C45                 | <b>1873 TAB K325 GR</b>    | 82,5         | 4500               | 4,354       |                   | <b>MX</b>  |
| <b>11340105</b> |                     | <b>1873 TAB K450 GR</b>    | 114,3        |                    |             |                   |            |
| <b>11340202</b> | Nickel Plated Steel | <b>1873 NP TAB K325 GR</b> | 82,5         | 4500               | 4,354       | Material: TPR     |            |
| <b>11340205</b> |                     | <b>1873 NP TAB K450 GR</b> | 114,3        |                    |             | 4,945             |            |
| <b>11340302</b> | Stainless Steel     | <b>1873 SS TAB K325 GR</b> | 82,5         | 3500               | 4,354       |                   |            |
| <b>11340305</b> |                     | <b>1873 SS TAB K450 GR</b> | 114,3        |                    |             |                   |            |
| <b>11290102</b> | C45                 | <b>1873 TAB K325 GR</b>    | 82,5         | 4500               | 4,354       |                   | <b>PP</b>  |
| <b>11290105</b> |                     | <b>1873 TAB K450 GR</b>    | 114,3        |                    |             |                   |            |
| <b>11290202</b> | Nickel Plated Steel | <b>1873 NP TAB K325 GR</b> | 82,5         | 4500               | 4,354       | Material: EPDM-PP |            |
| <b>11290205</b> |                     | <b>1873 NP TAB K450 GR</b> | 114,3        |                    |             | 4,945             |            |
| <b>11290302</b> | Stainless Steel     | <b>1873 SS TAB K325 GR</b> | 82,5         | 3500               | 4,354       |                   |            |
| <b>11290305</b> |                     | <b>1873 SS TAB K450 GR</b> | 114,3        |                    |             |                   |            |
| <b>11350102</b> | C45                 | <b>1873 TAB K325 GR</b>    | 82,5         | 4500               | 4,354       |                   | <b>MWX</b> |
| <b>11350105</b> |                     | <b>1873 TAB K450 GR</b>    | 114,3        |                    |             |                   |            |
| <b>11350202</b> | Nickel Plated Steel | <b>1873 NP TAB K325 GR</b> | 82,5         | 4500               | 4,354       | Material: TPR     |            |
| <b>11350205</b> |                     | <b>1873 NP TAB K450 GR</b> | 114,3        |                    |             | 4,945             |            |
| <b>11350302</b> | Stainless Steel     | <b>1873 SS TAB K325 GR</b> | 82,5         | 3500               | 4,354       |                   |            |
| <b>11350305</b> |                     | <b>1873 SS TAB K450 GR</b> | 114,3        |                    |             |                   |            |

# 1873 GRIPPER GS4

Catene in plastica / Plastic chains / Kunststoffkette

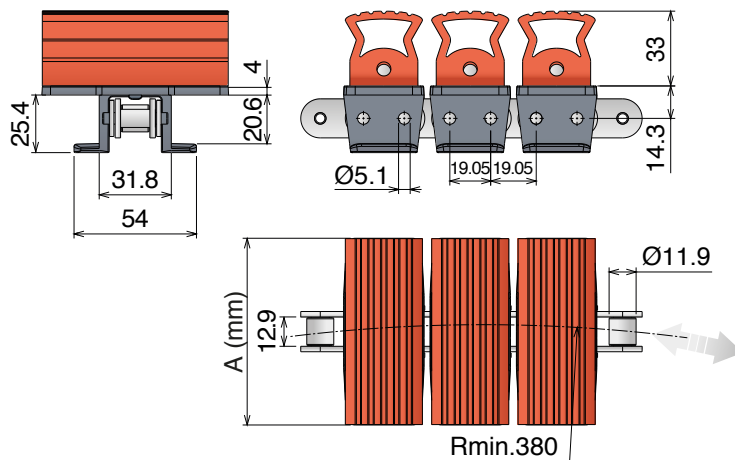
## 1873 GRIPPER GS4

Catena curvilinea

Sideflexing chain / Kurvengängige Plattenbandkette

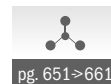
Delivery: **Easy** **Standard**

The stainless steel version is supplied with LONG-LIFE SS roller chain. | Backflex radius min.: 400 mm



Standard length roller chain: 160 Pitches

### TAB SYSTEM

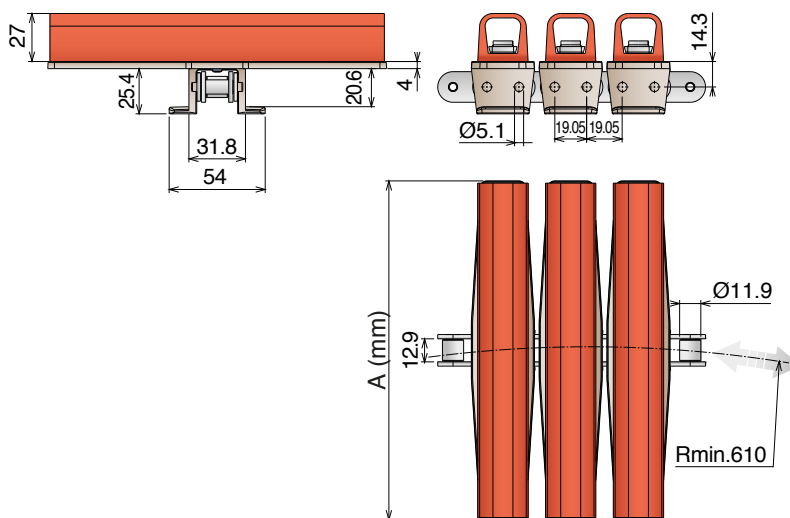


| Article-Nr.     | Chain               | Ref.                       | A (Width) mm | Max working load N | Weight kg/m | Rubber            | Material   |
|-----------------|---------------------|----------------------------|--------------|--------------------|-------------|-------------------|------------|
| <b>11830102</b> | C45                 | <b>1873 TAB K325 GR</b>    | 82,5         | 4500               | 4,15        |                   | <b>LFD</b> |
| <b>11830105</b> |                     | <b>1873 TAB K450 GR</b>    | 114,3        |                    |             |                   |            |
| <b>11830202</b> | Nickel Plated Steel | <b>1873 NP TAB K325 GR</b> | 82,5         | 4500               | 4,15        | Material: TPR     |            |
| <b>11830205</b> |                     | <b>1873 NP TAB K450 GR</b> | 114,3        |                    |             | Color: Red        |            |
| <b>11830302</b> | Stainless Steel     | <b>1873 SS TAB K325 GR</b> | 82,5         | 3500               | 4,15        |                   |            |
| <b>11830305</b> |                     | <b>1873 SS TAB K450 GR</b> | 114,3        |                    |             |                   |            |
| <b>11840102</b> | C45                 | <b>1873 TAB K325 GR</b>    | 82,5         | 4500               | 4,15        |                   | <b>MX</b>  |
| <b>11840105</b> |                     | <b>1873 TAB K450 GR</b>    | 114,3        |                    |             |                   |            |
| <b>11840202</b> | Nickel Plated Steel | <b>1873 NP TAB K325 GR</b> | 82,5         | 4500               | 4,15        | Material: TPR     |            |
| <b>11840205</b> |                     | <b>1873 NP TAB K450 GR</b> | 114,3        |                    |             | 4,70              |            |
| <b>11840302</b> | Stainless Steel     | <b>1873 SS TAB K325 GR</b> | 82,5         | 3500               | 4,15        |                   |            |
| <b>11840305</b> |                     | <b>1873 SS TAB K450 GR</b> | 114,3        |                    |             |                   |            |
| <b>11850102</b> | C45                 | <b>1873 TAB K325 GR</b>    | 82,5         | 4500               | 4,15        |                   | <b>PP</b>  |
| <b>11850105</b> |                     | <b>1873 TAB K450 GR</b>    | 114,3        |                    |             |                   |            |
| <b>11850202</b> | Nickel Plated Steel | <b>1873 NP TAB K325 GR</b> | 82,5         | 4500               | 4,15        | Material: EPDM-PP |            |
| <b>11850205</b> |                     | <b>1873 NP TAB K450 GR</b> | 114,3        |                    |             | 4,70              |            |
| <b>11850302</b> | Stainless Steel     | <b>1873 SS TAB K325 GR</b> | 82,5         | 3500               | 4,15        |                   |            |
| <b>11850305</b> |                     | <b>1873 SS TAB K450 GR</b> | 114,3        |                    |             |                   |            |
| <b>11860102</b> | C45                 | <b>1873 TAB K325 GR</b>    | 82,5         | 4500               | 4,15        |                   | <b>MWX</b> |
| <b>11860105</b> |                     | <b>1873 TAB K450 GR</b>    | 114,3        |                    |             |                   |            |
| <b>11860202</b> | Nickel Plated Steel | <b>1873 NP TAB K325 GR</b> | 82,5         | 4500               | 4,15        | Material: TPR     |            |
| <b>11860205</b> |                     | <b>1873 NP TAB K450 GR</b> | 114,3        |                    |             | 4,70              |            |
| <b>11860302</b> | Stainless Steel     | <b>1873 SS TAB K325 GR</b> | 82,5         | 3500               | 4,15        |                   |            |
| <b>11860305</b> |                     | <b>1873 SS TAB K450 GR</b> | 114,3        |                    |             |                   |            |

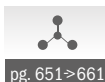
## 1873 D-SHAPE

Catena curvilinea  
Sideflexing chain / Kurvengängige Plattenbandkette

The stainless steel version is supplied with LONG-LIFE SS roller chain. | Backflex radius min.: 200 mm



**SPROCKET**  
ASA 60  
Standard on market



**TAB SYSTEM**

Standard lenght roller chain: 160 Pitches

| Article-Nr.     | Chain               | Ref.                      | A (Width) mm | Max working load N | Weight kg/m | Rubber                                  | Material |
|-----------------|---------------------|---------------------------|--------------|--------------------|-------------|---|----------|
| <b>11870106</b> | C45                 | <b>1873 TAB K600 D</b>    | 152,4        | 4500               | 4,00        | Material:<br>TPR<br>Color:<br>Red       | LF       |
| <b>11870107</b> |                     | <b>1873 TAB K750 D</b>    | 190,5        |                    |             |   |          |
| <b>11870206</b> | Nickel Plated Steel | <b>1873 NP TAB K600 D</b> | 152,4        | 4500               | 4,00        |   |          |
| <b>11870207</b> |                     | <b>1873 NP TAB K750 D</b> | 190,5        |                    |             |   |          |
| <b>11870306</b> | Stainless Steel     | <b>1873 SS TAB K600 D</b> | 152,4        | 3500               | 4,00        |   |          |
| <b>11870307</b> |                     | <b>1873 SS TAB K750 D</b> | 190,5        |                    |             |   |          |
| <b>11880106</b> | C45                 | <b>1873 TAB K600 D</b>    | 152,4        | 4500               | 4,00        | Material:<br>TPR<br>Color:<br>Red       | MX       |
| <b>11880107</b> |                     | <b>1873 TAB K750 D</b>    | 190,5        |                    |             |   |          |
| <b>11880206</b> | Nickel Plated Steel | <b>1873 NP TAB K600 D</b> | 152,4        | 4500               | 4,00        |   |          |
| <b>11880207</b> |                     | <b>1873 NP TAB K750 D</b> | 190,5        |                    |             |   |          |
| <b>11880306</b> | Stainless Steel     | <b>1873 SS TAB K600 D</b> | 152,4        | 3500               | 4,00        |   |          |
| <b>11880307</b> |                     | <b>1873 SS TAB K750 D</b> | 190,5        |                    |             |   |          |
| <b>11890106</b> | C45                 | <b>1873 TAB K600 D</b>    | 152,4        | 4500               | 4,00        | Material:<br>EPDM-PP<br>Color:<br>Black | MPX      |
| <b>11890107</b> |                     | <b>1873 TAB K750 D</b>    | 190,5        |                    |             |   |          |
| <b>11890206</b> | Nickel Plated Steel | <b>1873 NP TAB K600 D</b> | 152,4        | 4500               | 4,00        |   |          |
| <b>11890207</b> |                     | <b>1873 NP TAB K750 D</b> | 190,5        |                    |             |   |          |
| <b>11890306</b> | Stainless Steel     | <b>1873 SS TAB K600 D</b> | 152,4        | 3500               | 4,00        |   |          |
| <b>11890307</b> |                     | <b>1873 SS TAB K750 D</b> | 190,5        |                    |             |   |          |



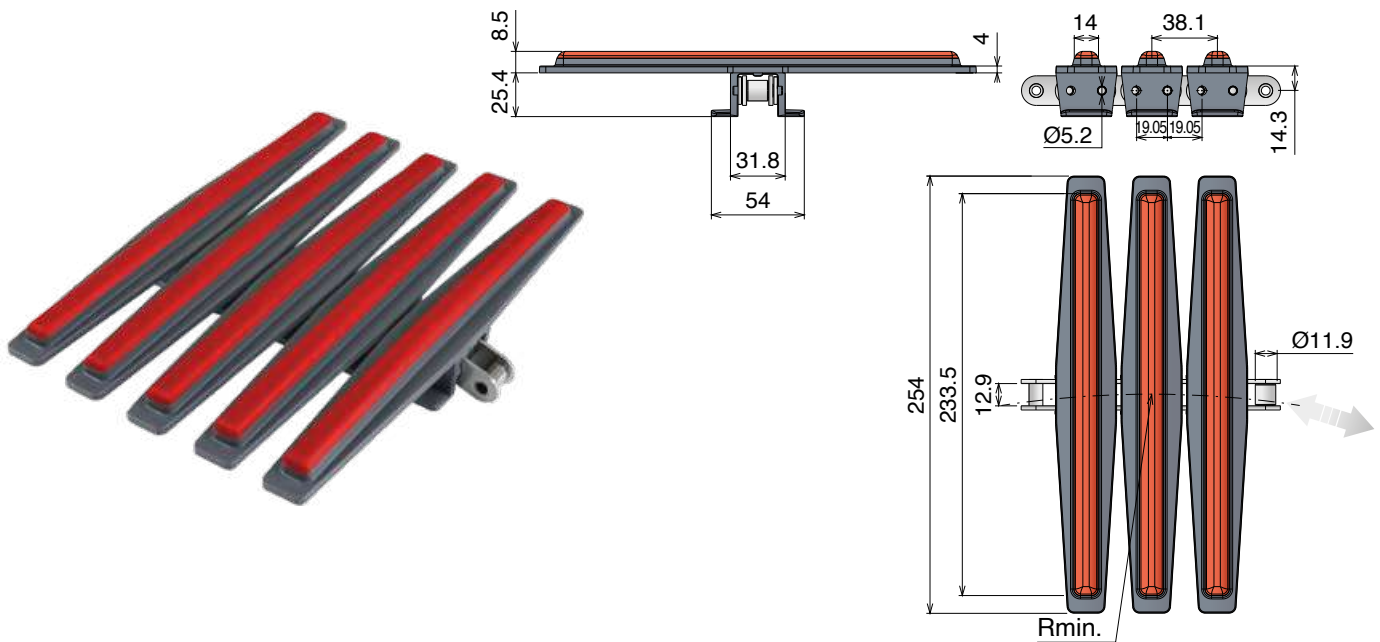
# 1873 MX1

Catene in plastica / Plastic chains / Kunststoffkette

## 1873 MX1 Catena curvilinea Sideflexing chain / Kurvengängige Plattenbandkette

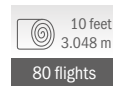
**RANGE EXTENSION**

The stainless steel version is supplied with LONG-LIFE SS roller chain. | TPE Rubber: 75 ShA | Backflex radius min.: 200 mm



Standard lenght roller chain: 160 Pitches

**TAB SYSTEM**



| Article-Nr. | Chain               | Ref.              | Plate Width mm | Weight kg/m | Max working load N | Sideflex radius min. mm | Material |
|-------------|---------------------|-------------------|----------------|-------------|--------------------|-------------------------|----------|
| 11790108    | C45                 | 1873 LFTAB K1000  | 254,0          | 2,80        | 4500               | 457                     | LF       |
| 11780108    | Nickel Plated Steel |                   |                |             | 4500               |                         |          |
| 11690108    | Stainless Steel     |                   |                |             | 3500               |                         |          |
| 11790308    | C45                 | 1873 MX TAB K1000 | 254,0          | 2,80        | 4500               | 457                     | MX       |
| 11780308    | Nickel Plated Steel |                   |                |             | 4500               |                         |          |
| 11690308    | Stainless Steel     |                   |                |             | 3500               |                         |          |

## 1873 MX1

Chain for hot-fill applications, neck & cap sterilizing.

### Care

Designed to keep the products in the correct position during the twist movement.

### Temperature resistance

The rubber is developed for and perfectly resistant against the higher temperatures of the hot-filled products.

### Long life roller chain

Special hardened pins and bushing guarantee a longer lifetime. Chain can twist 90° in 1500 mm.

### Product stability

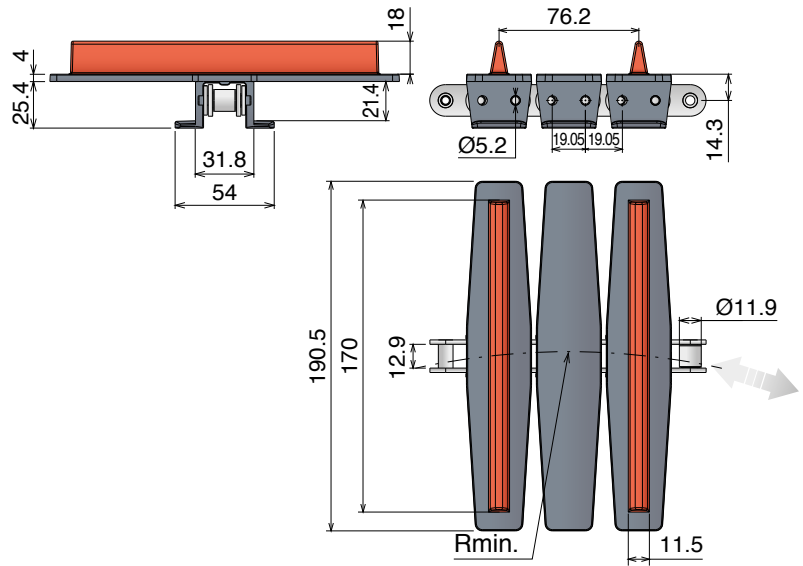
The new developed design guarantees a perfect connection between rubber and plate.

## 1873 MX2

Catena curvilinea  
Sideflexing chain / Kurvengängige Plattenbandkette

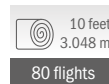
**RANGE EXTENSION**

The stainless steel version is supplied with LONG-LIFE SS roller chain. | TPE Rubber: 75 ShA | Backflex radius min.: 200 mm



Standard length roller chain: 160 Pitches

**TAB SYSTEM**



| Article-Nr. | Chain               | Ref.                    | Plate Width mm | Weight kg/m | Max working load N | Sideflex radius min. mm | Material |
|-------------|---------------------|-------------------------|----------------|-------------|--------------------|-------------------------|----------|
| 11770107    | C45                 |                         |                |             | 4500               |                         |          |
| 11760107    | Nickel Plated Steel | <b>1873 LF TAB K750</b> | 190,5          | 2,60        | 4500               | 457                     | LF       |
| 11670107    | Stainless Steel     |                         |                |             | 3500               |                         |          |
| 11770307    | C45                 |                         |                |             | 4500               |                         |          |
| 11760307    | Nickel Plated Steel | <b>1873 MX TAB K750</b> | 190,5          | 2,60        | 4500               | 457                     | MX       |
| 11670307    | Stainless Steel     |                         |                |             | 3500               |                         |          |

## 1873 MX2

Chain for twisting cans

### Care

Designed to twist cans without pressure.

### Temperature resistance

Materials are suitable for use at high temperatures.

### Long life roller chain

Special hardened pins and bushing guarantee a longer lifetime. Chain can twist 90° in 1500 mm.

### Product stability

The flights assure the position of the cans also at higher speed.



# 878 GRIPPER GS1/GS2/GS4

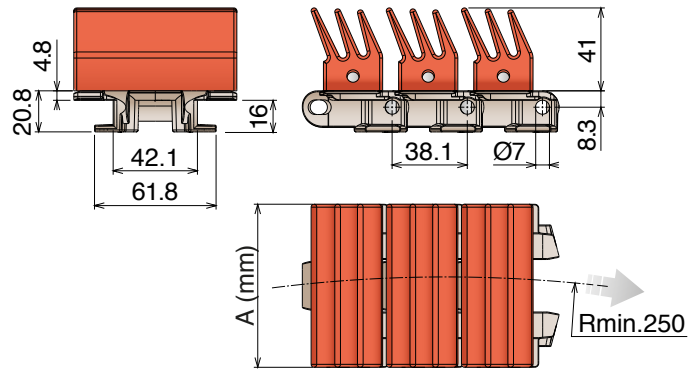
Catene in plastica / Plastic chains / Kunststoffkette

## 878 GRIPPER

Catena curvilinea  
Sideflexing chain / Kurvengängige Scharnierbandkette

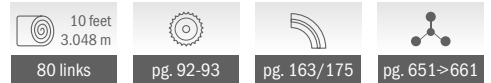
Delivery: **Easy** **Standard**

Backflex radius min. **GS1:** 100 mm - **GS2** 180 mm - **GS4** 380 mm

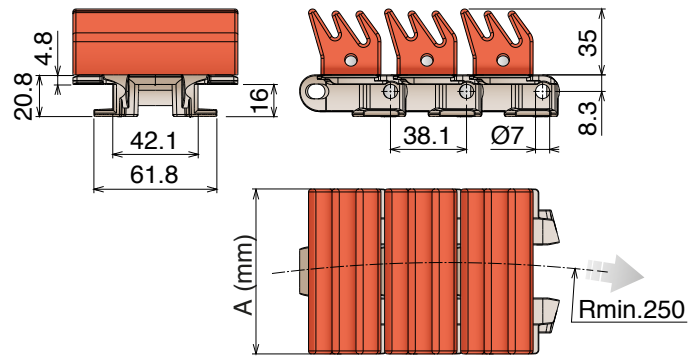


### GS1

**TAB SYSTEM**

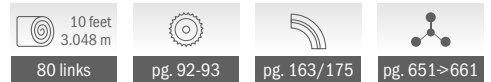


| Article-Nr. | Ref.            | A (Plate Width) mm | R mm | Weight kg/m | Max working load N | Rubber | Material |
|-------------|-----------------|--------------------|------|-------------|--------------------|--------|----------|
| 11800102    | LF 878 GS1 K325 | 82,5               | 250  | 4,65        | 2200               | TPR    | LF       |

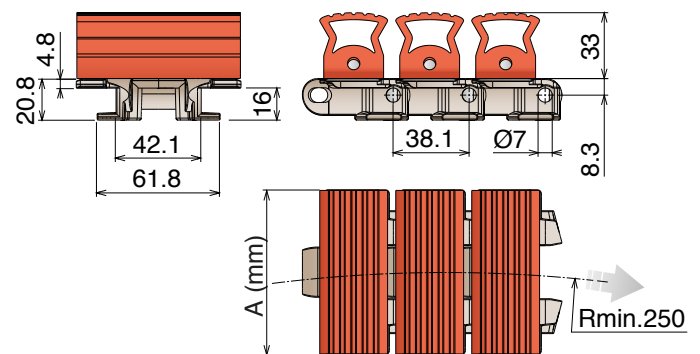


### GS2

**TAB SYSTEM**

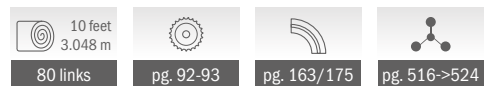


| Article-Nr. | Ref.            | A (Plate Width) mm | R mm | Weight kg/m | Max working load N | Rubber | Material |
|-------------|-----------------|--------------------|------|-------------|--------------------|--------|----------|
| 11810102    | LF 878 GS2 K325 | 82,5               | 250  | 4,05        | 2200               | TPR    | LF       |



### GS4

**TAB SYSTEM**



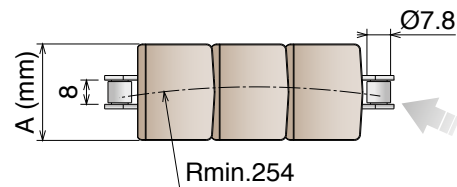
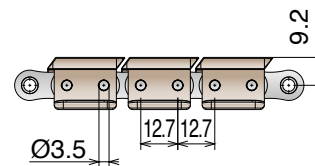
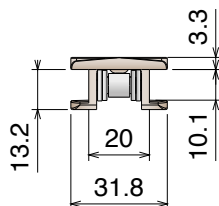
| Article-Nr. | Ref.            | A (Plate Width) mm | R mm | Weight kg/m | Max working load N | Rubber | Material |
|-------------|-----------------|--------------------|------|-------------|--------------------|--------|----------|
| 11820102    | LF 878 GS4 K325 | 82,5               | 250  | 4,10        | 2200               | TPR    | LF       |



## 1843 Catena curvilinea Sideflexing chain / Kurvengängige Plattenbandkette

Delivery: **Easy** **Standard**

Backflex radius min.: 80 mm



Standard length roller chain: 240 Pitches

### TAB SYSTEM

10 feet  
3.048 m  
120 links

**SPROCKET**  
ASA 40  
Standard on market

pg. 168/176

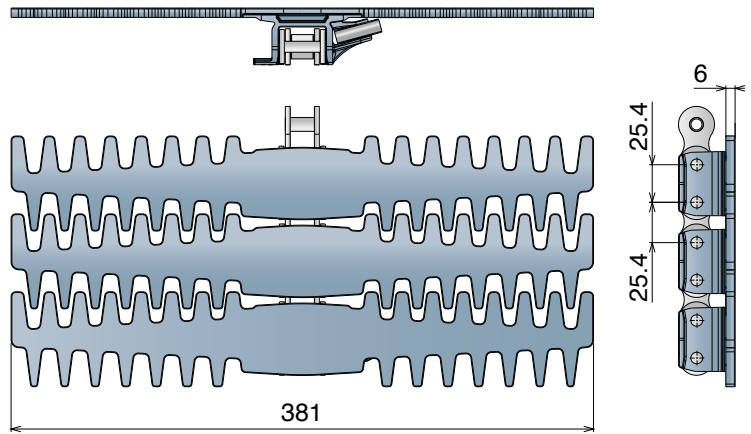
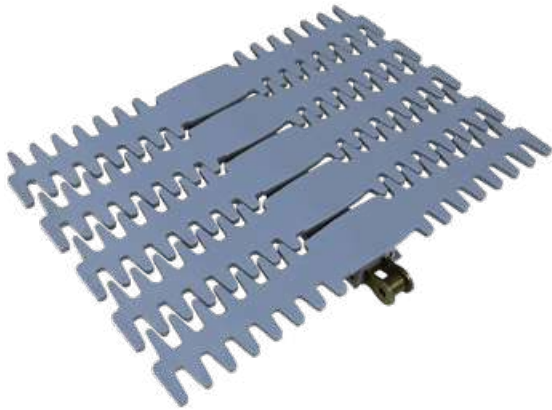
pg. 651>661

| Article-Nr. | Chain           | Ref.             | A (Plate Width) mm | R mm | Weight kg/m | Max working load N | Backflex radius min. mm | Material |
|-------------|-----------------|------------------|--------------------|------|-------------|--------------------|-------------------------|----------|
| 11400117    | C45             | LF 1843 TAB K125 | 31,8               | 254  | 0,74        | 2700               | 50                      | LF       |
| 11410117    | Stainless Steel |                  | 31,8               | 254  | 0,74        | 1900               |                         |          |
| 11400119    | C45             | LF 1843 TAB K200 | 50,8               | 254  | 0,89        | 2700               |                         |          |
| 11410119    | Stainless Steel |                  | 50,8               | 254  | 0,89        | 1900               |                         |          |
| 11400317    | C45             | MX 1843 TAB K125 | 31,8               | 254  | 0,74        | 2700               | 50                      | MX       |
| 11410317    | Stainless Steel |                  | 31,8               | 254  | 0,74        | 1900               |                         |          |
| 11400319    | C45             | MX 1843 TAB K200 | 50,8               | 254  | 0,89        | 2700               |                         |          |
| 11410319    | Stainless Steel |                  | 50,8               | 254  | 0,89        | 1900               |                         |          |

## SP 1883

Catena curvilinea  
Sideflexing chain / Kurvengängige Plattenbandkette

Backflex radius min.: 350 mm



Standard length roller chain: 120 Pitches

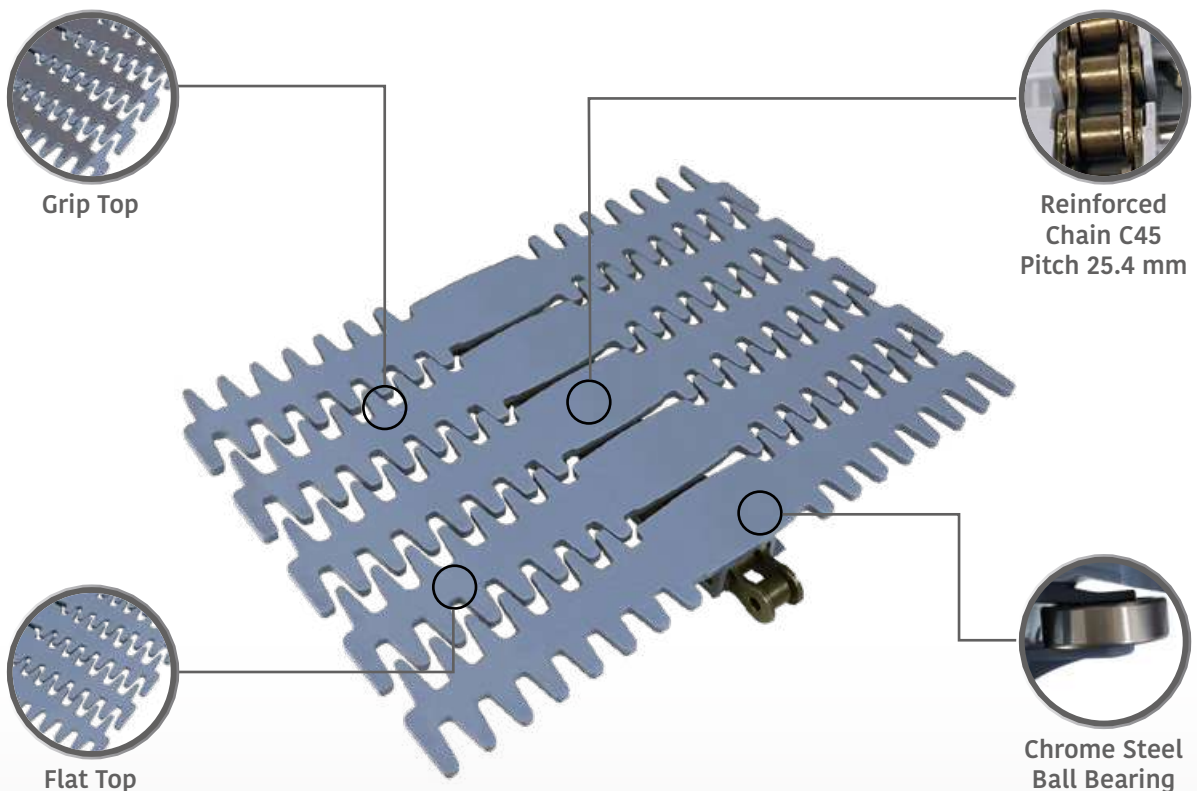


**SPROCKET**  
ASA 80  
Standard on market



| Article-Nr. | Chain | Ref.                  | Plate Width mm | Weight kg/m | Max working load N | Sideflex radius min. mm | Material |
|-------------|-------|-----------------------|----------------|-------------|--------------------|-------------------------|----------|
| 11640110    | C45   | LFA SP 1883 TAB K1500 | 381,0          | 12,5        | 6500               | 711                     | LFA      |

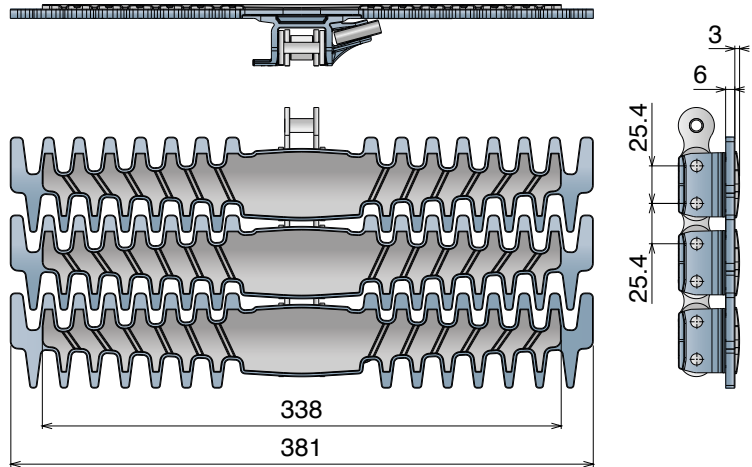
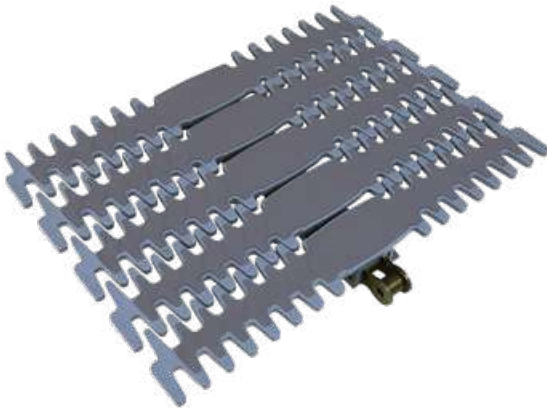
## Max Speed High Performance



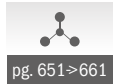
## SP 1883 GT

Catena curvilinea  
Sideflexing chain / Kurvengängige Plattenbandkette

Backflex radius min.: 350 mm



Standard length roller chain: 120 Pitches



| Article-Nr. | Chain | Ref.                     | Plate Width mm | Weight kg/m | Max working load N | Sideflex radius min. mm | Material |
|-------------|-------|--------------------------|----------------|-------------|--------------------|-------------------------|----------|
| 11650110    | C45   | LFA SP 1883 GT TAB K1500 | 381,0          | 13,0        | 6500               | 711                     | LFA      |



# CC 600-CC 600 TAB

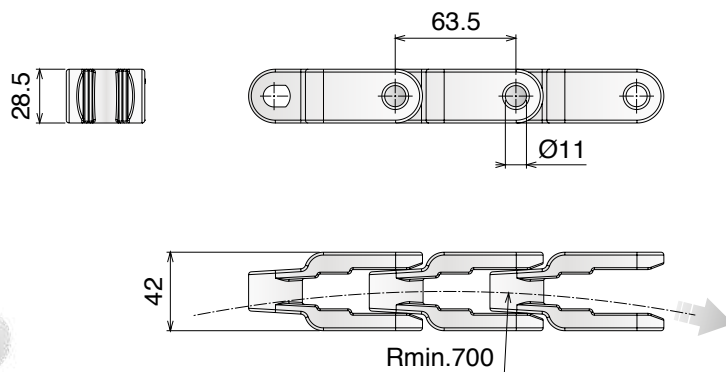
Catene in plastica / Plastic chains / Kunststoffkette

## CC 600

Catena curvilinea  
Sideflexing chain / Kurvengängige Scharnierbandkette

Delivery: **Easy** Standard

Pins: Stainless Steel | Backflex radius min.: 50 mm



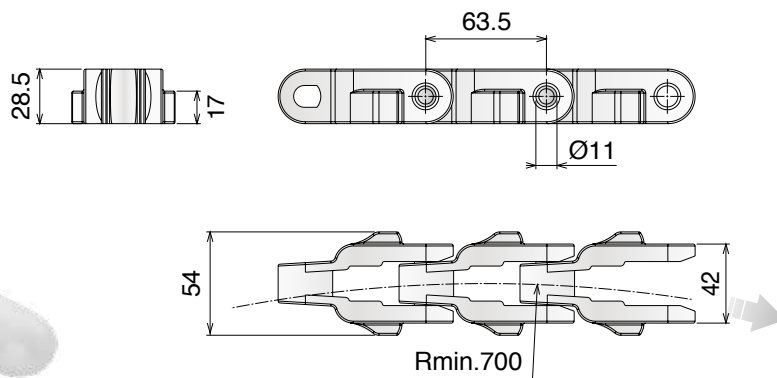
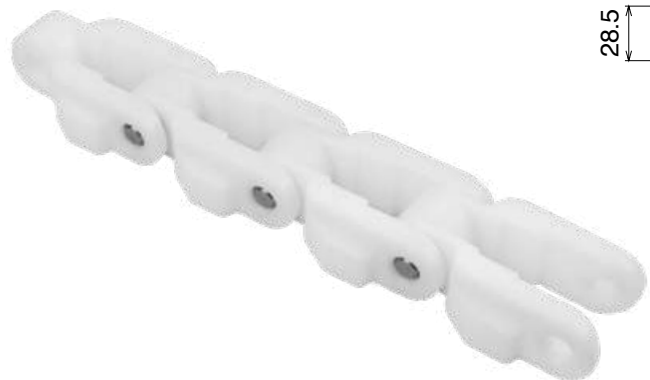
| Article-Nr. | Ref.   | Plate Width mm | Weight kg/m | Max working load N | Material |
|-------------|--------|----------------|-------------|--------------------|----------|
| 11220400    | CC 600 | 42             | 1,35        | 4000               | LFN      |
| 11220300    | CC 600 | 42             | 1,35        | 3200               | MX       |

## CC 600 TAB

Catena curvilinea  
Sideflexing chain / Kurvengängige Scharnierbandkette

Delivery: **Easy** Standard

Pins: Stainless Steel | Backflex radius min.: 50 mm



**TAB SYSTEM**



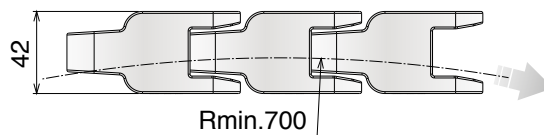
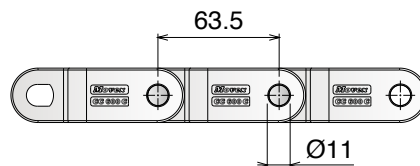
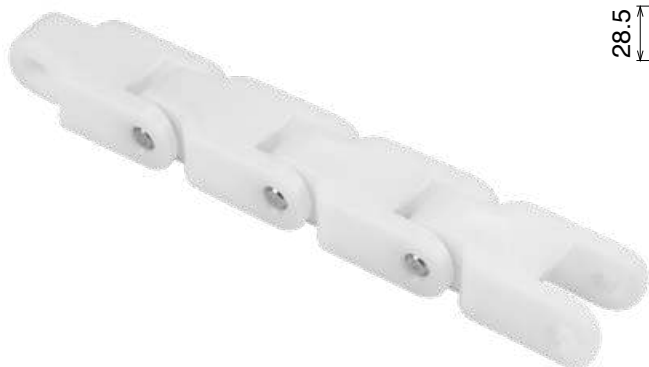
| Article-Nr. | Ref.       | Plate Width mm | Weight kg/m | Max working load N | Material |
|-------------|------------|----------------|-------------|--------------------|----------|
| 11230400    | CC 600 TAB | 42             | 1,45        | 4000               | LFN      |
| 11230300    | CC 600 TAB | 42             | 1,45        | 3200               | MX       |

## CC 600 D

Catena curvilinea  
Sideflexing chain / Kurvengängige Scharnierbandkette

Delivery: **Easy** Standard

Pins: Stainless Steel | Backflex radius min.: 50 mm



48 links



pg. 97



pg. 651>661

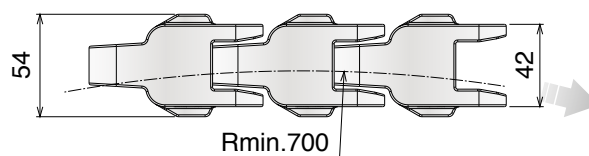
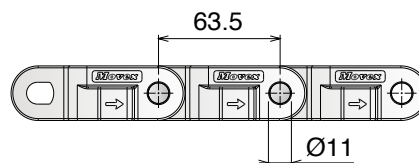
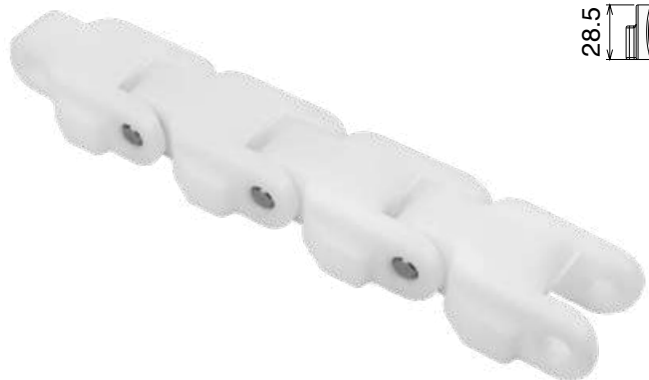
| Article-Nr. | Ref.     | Plate Width mm | Weight kg/m | Max working load N | Material |
|-------------|----------|----------------|-------------|--------------------|----------|
| 11220410    | CC 600 D | 42             | 1,40        | 4000               | LFN      |
| 11220310    | CC 600 D | 42             | 1,40        | 3200               | MX       |

## CC 600 D TAB

Catena curvilinea  
Sideflexing chain / Kurvengängige Scharnierbandkette

Delivery: **Easy** Standard

Pins: Stainless Steel | Backflex radius min.: 50 mm



**TAB SYSTEM**



48 links



pg. 97



pg. 651>661

| Article-Nr. | Ref.         | Plate Width mm | Weight kg/m | Max working load N | Material |
|-------------|--------------|----------------|-------------|--------------------|----------|
| 11230410    | CC 600 D TAB | 42             | 1,55        | 4000               | LFN      |
| 11230310    | CC 600 D TAB | 42             | 1,55        | 3200               | MX       |

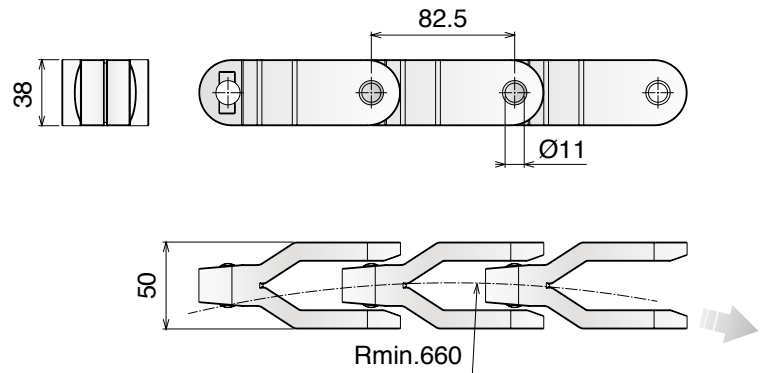
# CC 1400-CC 1400 TAB

Catene in plastica / Plastic chains / Kunststoffkette

## CC 1400

Catena curvilinea  
Sideflexing chain / Kurvengängige Scharnierbandkette

Pins: Stainless Steel | Backflex radius min.: 50 mm

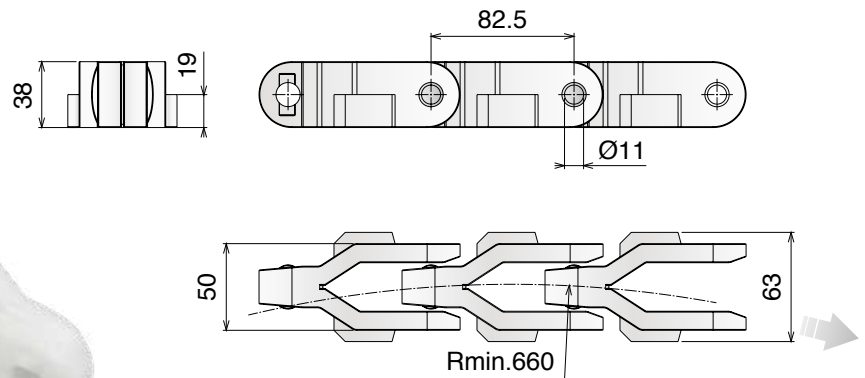


| Article-Nr. | Ref.    | Plate Width mm | Weight kg/m | Max working load N | Material |
|-------------|---------|----------------|-------------|--------------------|----------|
| 11300400    | CC 1400 | 50             | 3,24        | 6500               | LFN      |
| 11300300    | CC 1400 | 50             | 3,24        | 5200               | MX       |

## CC 1400 TAB

Catena curvilinea  
Sideflexing chain / Kurvengängige Scharnierbandkette

Pins: Stainless Steel | Backflex radius min.: 50 mm

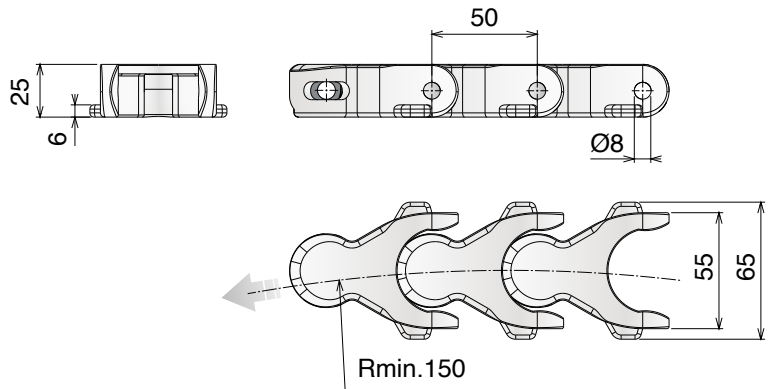


| Article-Nr. | Ref.        | Plate Width mm | Weight kg/m | Max working load N | Material |
|-------------|-------------|----------------|-------------|--------------------|----------|
| 11310400    | CC 1400 TAB | 50             | 3,24        | 6500               | LFN      |
| 11310300    | CC 1400 TAB | 50             | 3,24        | 5200               | MX       |






## 1701 TAB OP

Catena curvilinea  
Sideflexing chain / Kardankette

Pins: Stainless Steel | Backflex radius min.: 50 mm



### TAB SYSTEM

|  |  |   |   |  |
|--|--|---|---|--|
|  10 feet<br>3.050 m |  pg. 98 |  pg. 104 |  pg. 169/177 |  pg. 651->661 |
| 61 links   |  |   |   |  |

| Article-Nr. | Ref.           | Plate Width mm | Weight kg/m | Max working load N | Material |
|-------------|----------------|----------------|-------------|--------------------|----------|
| 11360400    | LF 1701 TAB OP | 55             | 1,40        | 2700               | LFN      |

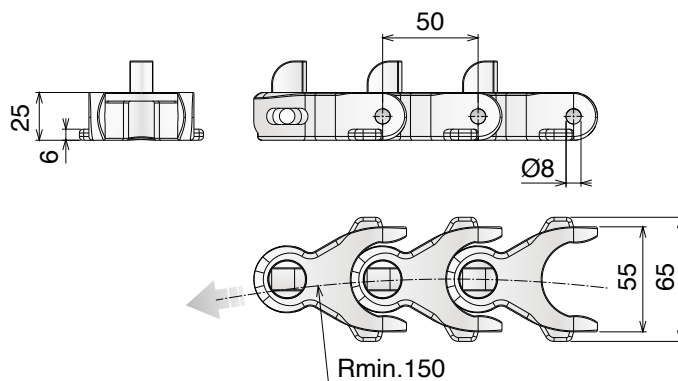
# 1701 TAB OPF

Catene in plastica / Plastic chains / Kunststoffkette

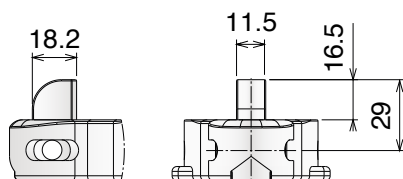
## 1701 TAB OPF

Catena curvilinea  
Sideflexing chain / Kardankette

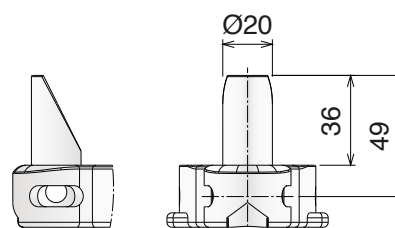
Pins: Stainless Steel | Backflex radius min. Type A/B/C: 100 mm | Backflex radius min. Type D: 120 mm



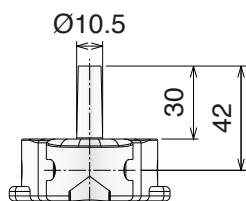
**Type A**



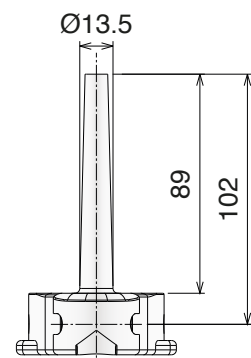
**Type B**



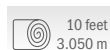
**Type C**



**Type D**



### TAB SYSTEM



10 feet  
3.050 m



61 links



pg. 98



pg. 104



pg. 169/177



pg. 651>661

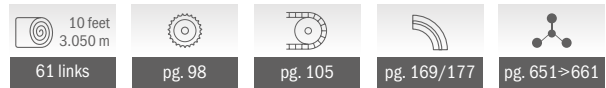
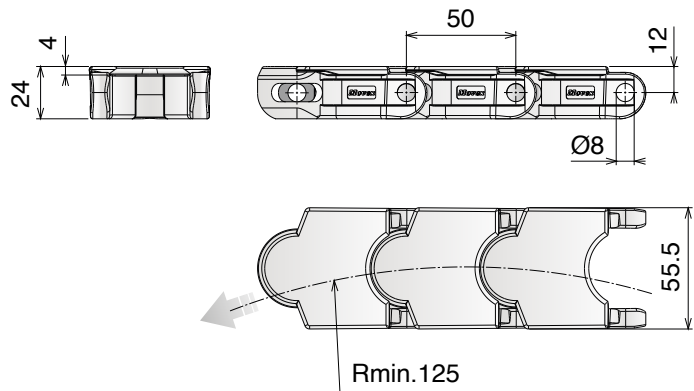
| Article-Nr. | Ref.            | Plate Width mm | Weight kg/m | Max working load N | Material |
|-------------|-----------------|----------------|-------------|--------------------|----------|
| 11360400-FA | 1701 TAB Type A | 55             | 1,60        | 2700               | LFN      |
| 11360400-FB | 1701 TAB Type B | 55             | 1,60        |                    |          |
| 11360400-FC | 1701 TAB Type C | 55             | 2,00        |                    |          |
| 11360400-FD | 1701 TAB Type D | 55             | 2,30        |                    |          |



## 1706

Catena curvilinea  
Sideflexing chain / Kardankette

Pins: Stainless Steel | Backflex radius min.: 80 mm

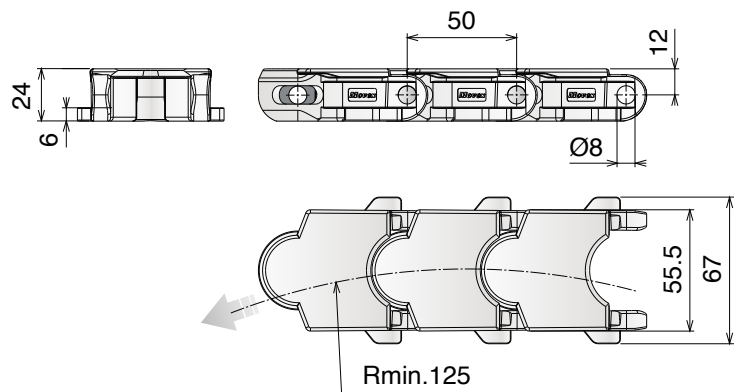


| Article-Nr. | Ref.    | Plate Width mm | Weight kg/m | Max working load N | Material |
|-------------|---------|----------------|-------------|--------------------|----------|
| 11720400    | LF 1706 | 55,5           | 1,35        | 2300               | LFN      |
| 11720300    | MX 1706 | 55,5           | 1,35        | 1900               | MX       |

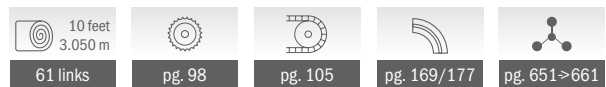
## 1706 TAB

Catena curvilinea  
Sideflexing chain / Kardankette

Pins: Stainless Steel | Backflex radius min.: 80 mm



**TAB SYSTEM**



| Article-Nr. | Ref.        | Plate Width mm | Weight kg/m | Max working load N | Material |
|-------------|-------------|----------------|-------------|--------------------|----------|
| 11730400    | LF 1706 TAB | 55,5           | 1,38        | 2300               | LFN      |
| 11730300    | MX 1706 TAB | 55,5           | 1,38        | 1900               | MX       |

# 765 NO GAP

Catene in plastica / Plastic chains / Kunststoffkette

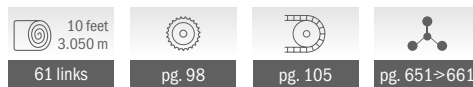
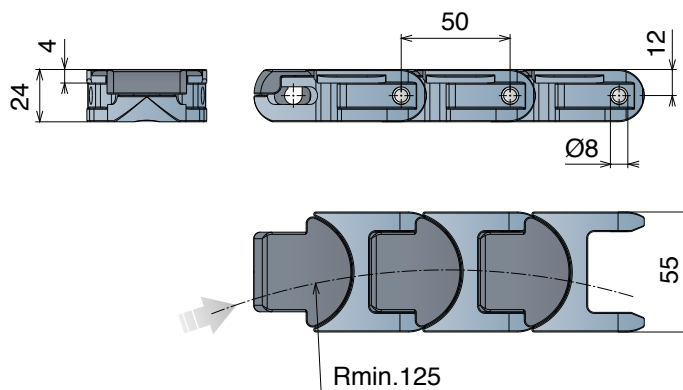
## 765 NO GAP

Catena curvilinea  
Sideflexing chain / Kardankette

UPDATED MATERIALS

Delivery: **Easy** **Standard**

Pins: Stainless Steel | Backflex radius min.: 50 mm



| Article-Nr. | Ref.           | Plate Width mm | Weight kg/m | Max working load N | Frame Material | Plate Material |
|-------------|----------------|----------------|-------------|--------------------|----------------|----------------|
| 11940100    | 765 LFA NO GAP | 55             | 1,46        | 2670               | LFA            | MX             |
| 11940300    | 765 MX NO GAP  | 55             | 1,46        | 2200               | MX             | MK             |



### Advantages:

- Improved safety
- Product stability
- Ideal to transport small products

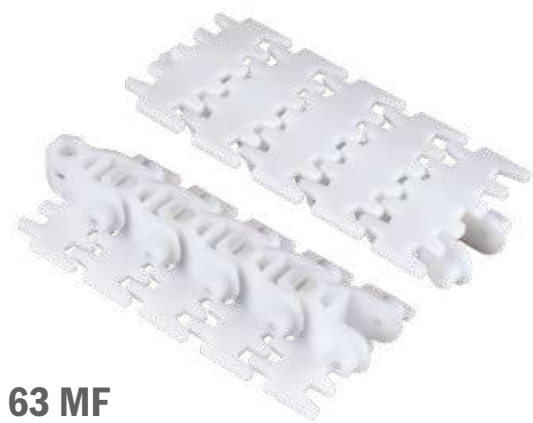
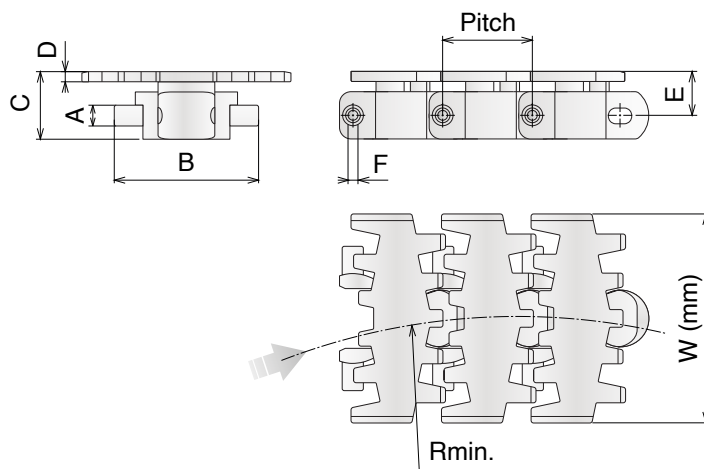
## 43 MF-63 MF-83 MF-103 MF

Catena curvilinea  
Sideflexing chain / Kardankette

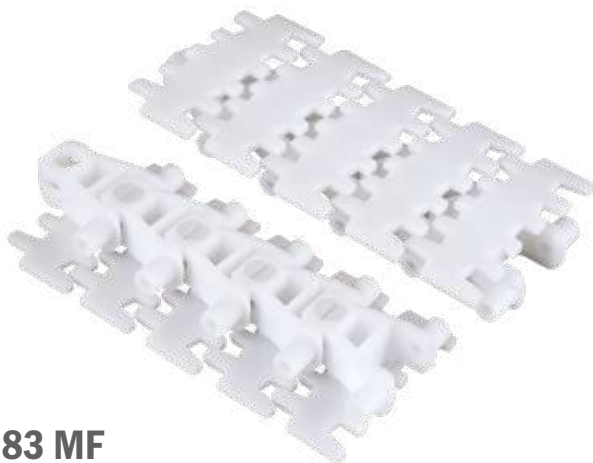
Pins: Stainless Steel | Backflex radius min.: 80 mm



43 MF



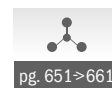
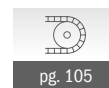
63 MF



83 MF



103 MF



| Article-Nr. | Ref.   | W (Plate Width) mm | A mm | B mm | C mm | D mm | E mm  | F mm | Weight kg/m | Pitch | Radius min. | Links             | Max working load N | Material |
|-------------|--------|--------------------|------|------|------|------|-------|------|-------------|-------|-------------|-------------------|--------------------|----------|
| 12010400    | 43 MF  | 43                 | 8,25 | 35   | 22   | 3    | 13,25 | 4    | 0,60        | 25,4  | 140         | 3.048 (120 links) | 2100               | LFN      |
| 12010401    | 63 MF  | 63                 | 8,25 | 35   | 22,5 | 3,5  | 13,75 | 4    | 0,80        | 25,4  | 150         | 3.048 (120 links) |                    |          |
| 12010402    | 83 MF  | 83                 | 11   | 58   | 27   | 4    | 17    | 6    | 1,70        | 33,5  | 160         | 3.015 (90 links)  |                    |          |
| 12010403    | 103 MF | 103                | 12   | 75   | 26   | 4,5  | 17,5  | 6    | 2,00        | 35,5  | 170         | 3.195 (90 links)  |                    |          |

# 83 M-140 M

Catene in plastica / Plastic chains / Kunststoffkette

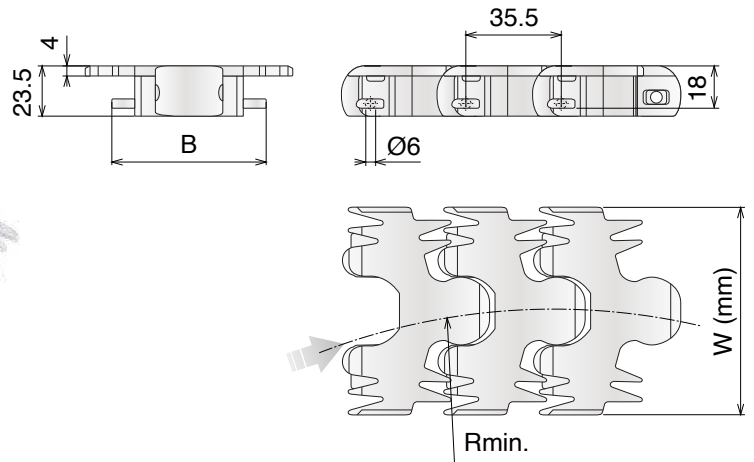
## 83 M-140 M

Catena curvilinea  
Sideflexing chain / Kardankette

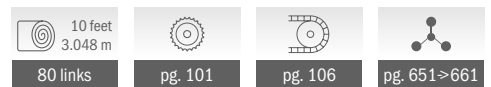
Pins: Stainless Steel | Backflex radius min.: 150 mm



83 M



140 M

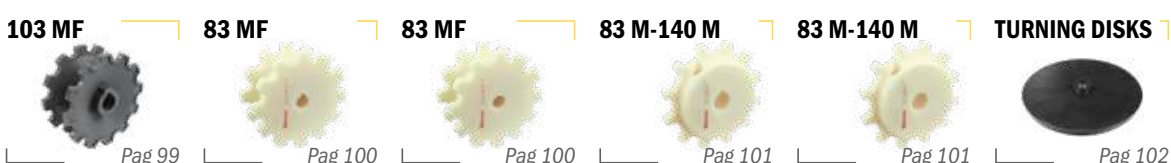
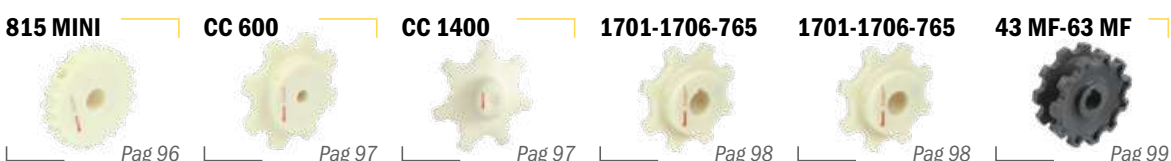
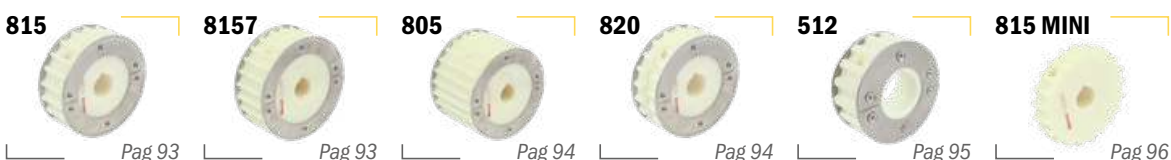
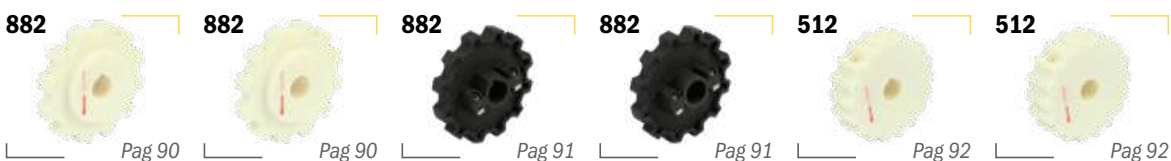
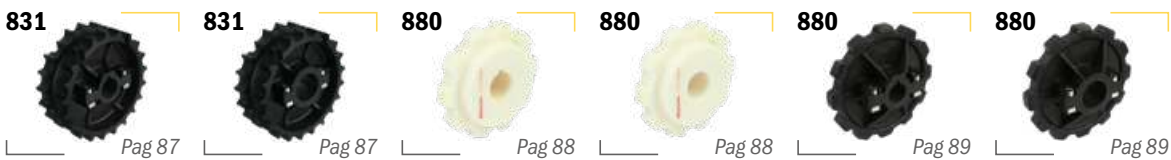
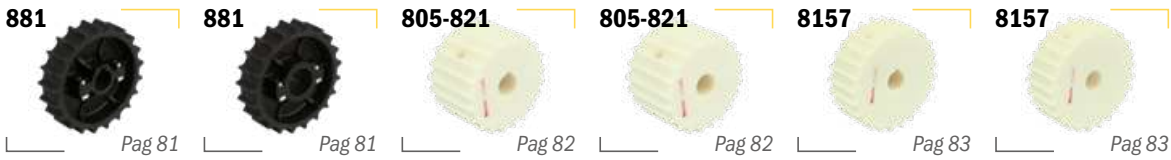


| Article-Nr. | Ref.  | W (Plate Width)<br>mm | B<br>mm | Weight<br>kg/m | Pitch | Radius min. | Max working load<br>N | Material |
|-------------|-------|-----------------------|---------|----------------|-------|-------------|-----------------------|----------|
| 12020402    | 83 M  | 83                    | 63      | 1,35           | 35,5  | 150         | 2100                  | LFN      |
| 12020404    | 140 M | 140                   | 63      | 2,10           | 35,5  | 250         |                       |          |



For bore tolerance refers to Movex engineering manual available on our website.

# Chain sprockets



Material Info:



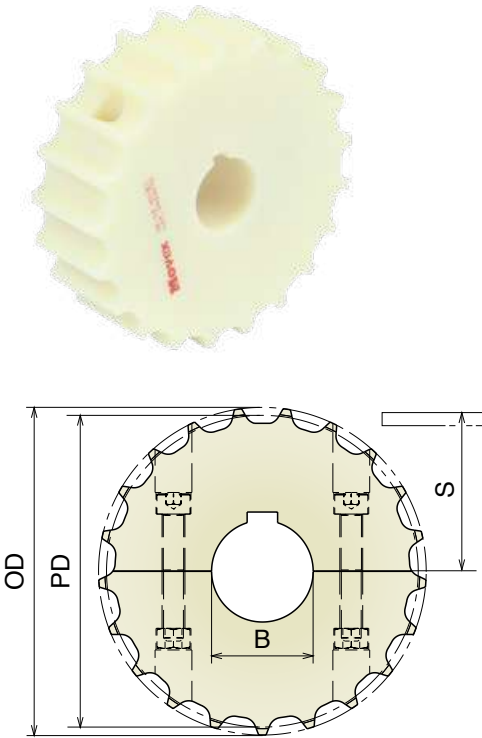
pg. 666

## 815

### Ruota traino divisa, fresata

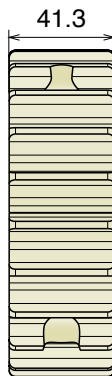
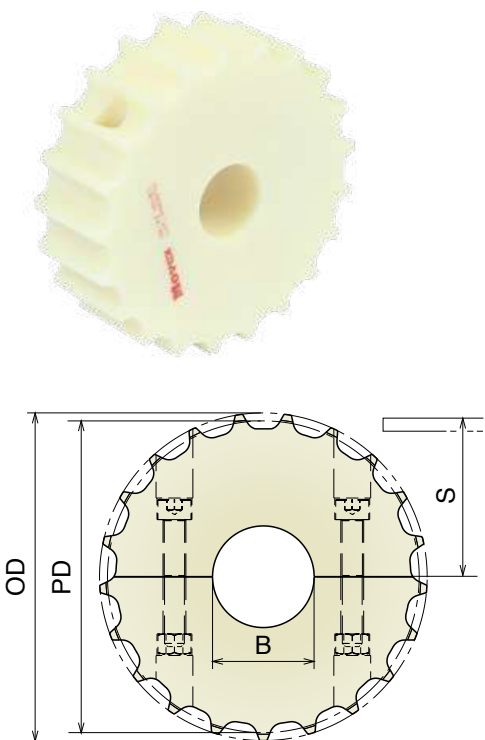
### Split drive sprocket, machined / geteiltes Antriebskettenrad gefräst

| Delivery: | Easy | Standard | Also suitable for Series 881 M | Part | Article-Nr. | Z  | Bore | PD    | OD    | S    |
|-----------|------|----------|--------------------------------|------|-------------|----|------|-------|-------|------|
|           |      |          |                                | 501  | 50101       | 17 | 25   | 105,5 | 103,9 | 55,9 |
|           |      |          |                                | 501  | 50102       |    | 30   |       |       |      |
|           |      |          |                                | 501  | 50103       |    | 35   |       |       |      |
|           |      |          |                                | 501  | 50104       |    | 40   |       |       |      |
|           |      |          |                                | 502  | 50201       | 19 | 25   | 117,3 | 117,0 | 61,9 |
|           |      |          |                                | 502  | 50202       |    | 30   |       |       |      |
|           |      |          |                                | 502  | 50203       |    | 35   |       |       |      |
|           |      |          |                                | 502  | 50204       |    | 40   |       |       |      |
|           |      |          |                                | 503  | 50301       | 21 | 25   | 129,3 | 129,0 | 67,8 |
|           |      |          |                                | 503  | 50302       |    | 30   |       |       |      |
|           |      |          |                                | 503  | 50303       |    | 35   |       |       |      |
|           |      |          |                                | 503  | 50304       |    | 40   |       |       |      |
|           |      |          |                                | 504  | 50401       | 23 | 25   | 141,2 | 142,0 | 73,8 |
|           |      |          |                                | 504  | 50402       |    | 30   |       |       |      |
|           |      |          |                                | 504  | 50403       |    | 35   |       |       |      |
|           |      |          |                                | 504  | 50404       |    | 40   |       |       |      |
|           |      |          |                                | 505  | 50501       | 25 | 25   | 153,2 | 154,0 | 79,8 |
|           |      |          |                                | 505  | 50502       |    | 30   |       |       |      |
|           |      |          |                                | 505  | 50503       |    | 35   |       |       |      |
|           |      |          |                                | 505  | 50504       |    | 40   |       |       |      |
|           |      |          |                                | 506  | 50601       | 27 | 25   | 165,2 | 166,8 | 85,8 |
|           |      |          |                                | 506  | 50602       |    | 30   |       |       |      |
|           |      |          |                                | 506  | 50603       |    | 35   |       |       |      |
|           |      |          |                                | 506  | 50604       |    | 40   |       |       |      |
|           |      |          |                                | 507  | 50701       | 29 | 25   | 177,2 | 178,5 | 91,8 |
|           |      |          |                                | 507  | 50702       |    | 30   |       |       |      |
|           |      |          |                                | 507  | 50703       |    | 35   |       |       |      |
|           |      |          |                                | 507  | 50704       |    | 40   |       |       |      |



### Ruota rinvio divisa, fresata

### Split idler sprocket, machined / geteiltes Umlenrad, gefräst



| Part | Article-Nr. | Z  | Bore | PD    | OD    | S    |
|------|-------------|----|------|-------|-------|------|
| 501  | 50150       | 17 | 18*  | 105,5 | 103,9 | 55,9 |
| 501  | 50151       |    | 25   |       |       |      |
| 501  | 50152       |    | 30   |       |       |      |
| 501  | 50153       |    | 35   |       |       |      |
| 501  | 50154       |    | 40   |       |       |      |
| 502  | 50250       | 19 | 18*  | 117,3 | 117,0 | 61,9 |
| 502  | 50251       |    | 25   |       |       |      |
| 502  | 50252       |    | 30   |       |       |      |
| 502  | 50253       |    | 35   |       |       |      |
| 502  | 50254       |    | 40   |       |       |      |
| 503  | 50350       | 21 | 18*  | 129,3 | 129,0 | 67,8 |
| 503  | 50351       |    | 25   |       |       |      |
| 503  | 50352       |    | 30   |       |       |      |
| 503  | 50353       |    | 35   |       |       |      |
| 503  | 50354       |    | 40   |       |       |      |
| 504  | 50450       | 23 | 18*  | 141,2 | 142,0 | 73,8 |
| 504  | 50451       |    | 25   |       |       |      |
| 504  | 50452       |    | 30   |       |       |      |
| 504  | 50453       |    | 35   |       |       |      |
| 504  | 50454       |    | 40   |       |       |      |
| 505  | 50550       | 25 | 18*  | 153,2 | 154,0 | 79,8 |
| 505  | 50551       |    | 25   |       |       |      |
| 505  | 50552       |    | 30   |       |       |      |
| 505  | 50553       |    | 35   |       |       |      |
| 505  | 50554       |    | 40   |       |       |      |
| 506  | 50650       | 27 | 18*  | 165,2 | 166,8 | 85,8 |
| 506  | 50651       |    | 25   |       |       |      |
| 506  | 50652       |    | 30   |       |       |      |
| 506  | 50653       |    | 35   |       |       |      |
| 506  | 50654       |    | 40   |       |       |      |
| 507  | 50750       | 29 | 18*  | 177,2 | 178,5 | 91,8 |
| 507  | 50751       |    | 25   |       |       |      |
| 507  | 50752       |    | 30   |       |       |      |
| 507  | 50753       |    | 35   |       |       |      |
| 507  | 50754       |    | 40   |       |       |      |

\*Plain Bore

**Materiale / Material / Materialien:**

Poliamide rinforzato/Polyamide reinforced/Verstärktes Polyamid  
 Viti: Acciaio inox/Screws: Stainless steel/Schrauben: Edelstahl  
 Dadi: Ottone nichelato/Nuts: Nickel plated brass/Mutter: Messing

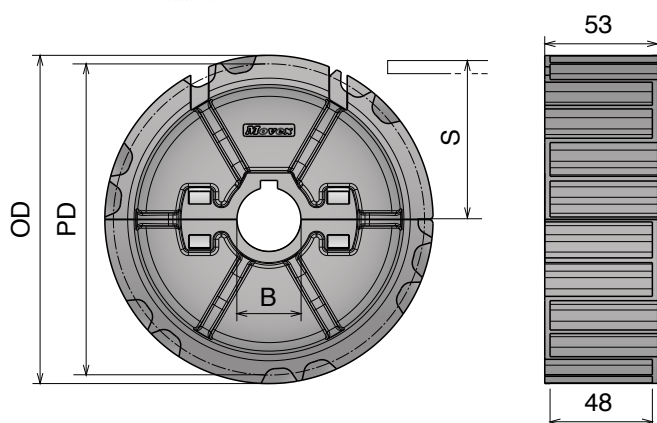
# 815

## Ruota traino divisa, stampata

### Split drive sprocket, molded / geteiltes Antriebskettenrad, gespritzt

Delivery: **Easy** **Standard** Also suitable for Series 881 M

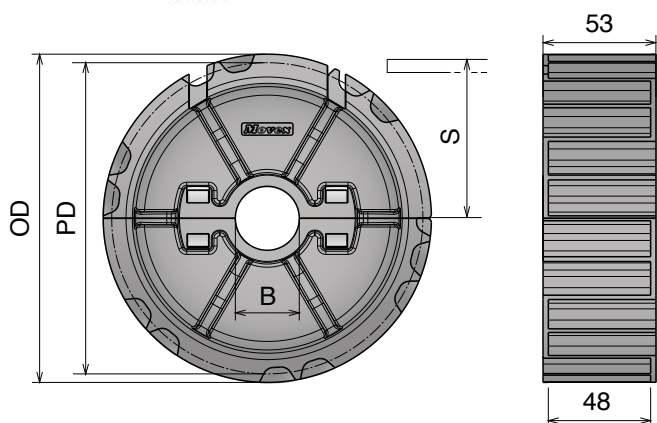
| Part | Article-Nr. | Z- | Bore | PD    | OD    | S    |
|------|-------------|----|------|-------|-------|------|
| 508  | 50801       | 21 | 25   | 129,3 | 129,0 | 67,8 |
| 508  | 50802       |    | 30   |       |       |      |
| 508  | 50803       |    | 35   |       |       |      |
| 508  | 50804       |    | 40   |       |       |      |
| 509  | 50901       | 23 | 25   | 141,2 | 142,0 | 73,8 |
| 509  | 50902       |    | 30   |       |       |      |
| 509  | 50903       |    | 35   |       |       |      |
| 509  | 50904       |    | 40   |       |       |      |
| 510  | 51001       | 25 | 25   | 153,2 | 154,0 | 79,8 |
| 510  | 51002       |    | 30   |       |       |      |
| 510  | 51003       |    | 35   |       |       |      |
| 510  | 51004       |    | 40   |       |       |      |



## Ruota rinvio divisa, stampata

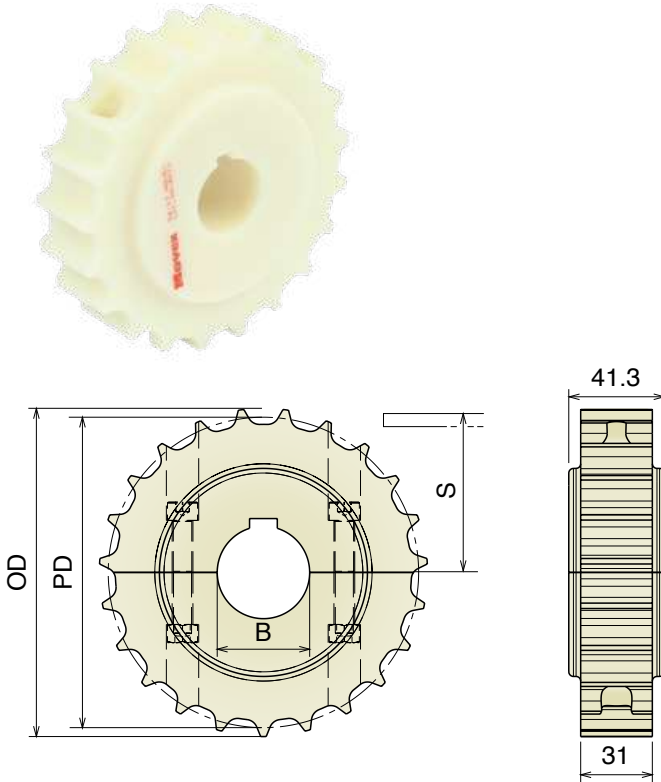
### Split idler sprocket, molded / geteiltes Umlenkrad, gespritzt

| Part | Article-Nr. | Z- | Bore | PD    | OD    | S    |
|------|-------------|----|------|-------|-------|------|
| 508  | 50851       | 21 | 25   | 129,3 | 129,0 | 67,8 |
| 508  | 50852       |    | 30   |       |       |      |
| 508  | 50853       |    | 35   |       |       |      |
| 508  | 50854       |    | 40   |       |       |      |
| 509  | 50951       | 23 | 25   | 141,2 | 142,0 | 73,8 |
| 509  | 50952       |    | 30   |       |       |      |
| 509  | 50953       |    | 35   |       |       |      |
| 509  | 50954       |    | 40   |       |       |      |
| 510  | 51051       | 25 | 25   | 153,2 | 154,0 | 79,8 |
| 510  | 51052       |    | 30   |       |       |      |
| 510  | 51053       |    | 35   |       |       |      |
| 510  | 51054       |    | 40   |       |       |      |



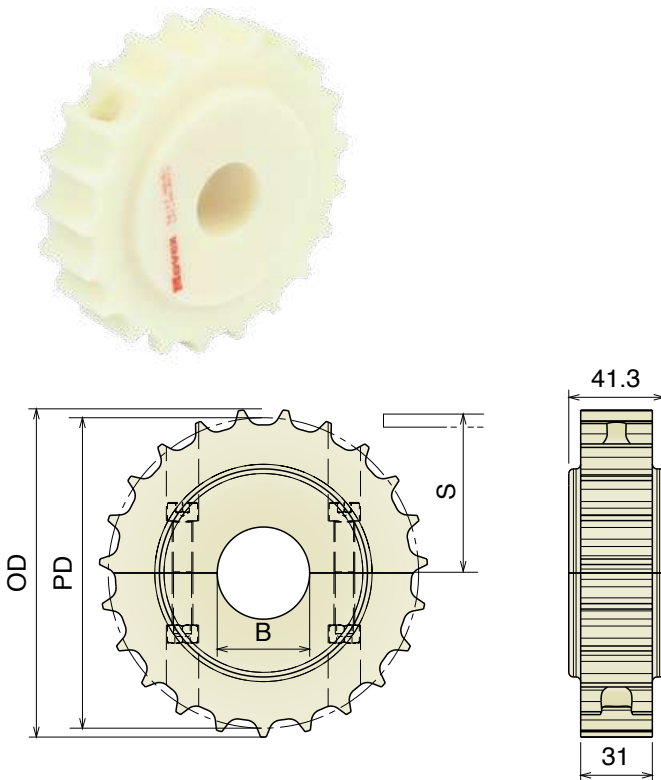
## 881 Ruota traino divisa, fresata Split drive sprocket, machined / geteiltes Antriebskettenrad gefräst

Also suitable for Series 881 M, 881 B and 881 TAB



| Part | Article-Nr. | Z  | Bore | PD    | OD    | S    |
|------|-------------|----|------|-------|-------|------|
| 511  | 51101       | 17 | 25   | 105,5 | 103,9 | 55,9 |
| 511  | 51102       |    | 30   |       |       |      |
| 511  | 51103       |    | 35   |       |       |      |
| 511  | 51104       |    | 40   |       |       |      |
| 512  | 51201       | 19 | 25   | 117,3 | 117,0 | 61,9 |
| 512  | 51202       |    | 30   |       |       |      |
| 512  | 51203       |    | 35   |       |       |      |
| 512  | 51204       |    | 40   |       |       |      |
| 513  | 51301       | 21 | 25   | 129,3 | 129,0 | 67,8 |
| 513  | 51302       |    | 30   |       |       |      |
| 513  | 51303       |    | 35   |       |       |      |
| 513  | 51304       |    | 40   |       |       |      |
| 514  | 51401       | 23 | 25   | 141,2 | 142,0 | 73,8 |
| 514  | 51402       |    | 30   |       |       |      |
| 514  | 51403       |    | 35   |       |       |      |
| 514  | 51404       |    | 40   |       |       |      |
| 515  | 51501       | 25 | 25   | 153,2 | 154,0 | 79,8 |
| 515  | 51502       |    | 30   |       |       |      |
| 515  | 51503       |    | 35   |       |       |      |
| 515  | 51504       |    | 40   |       |       |      |
| 516  | 51601       | 27 | 25   | 165,2 | 166,8 | 85,8 |
| 516  | 51602       |    | 30   |       |       |      |
| 516  | 51603       |    | 35   |       |       |      |
| 516  | 51604       |    | 40   |       |       |      |
| 517  | 51701       | 29 | 25   | 177,2 | 178,5 | 91,8 |
| 517  | 51702       |    | 30   |       |       |      |
| 517  | 51703       |    | 35   |       |       |      |
| 517  | 51704       |    | 40   |       |       |      |

## Ruota rinvio divisa, fresata Split idler sprocket, machined / geteiltes Umlenrad, gefräst



| Part | Article-Nr. | Z  | Bore | PD    | OD    | S    |
|------|-------------|----|------|-------|-------|------|
| 511  | 51150       | 17 | 18*  | 105,5 | 103,9 | 55,9 |
| 511  | 51151       |    | 25   |       |       |      |
| 511  | 51152       |    | 30   |       |       |      |
| 511  | 51153       |    | 35   |       |       |      |
| 511  | 51154       |    | 40   |       |       |      |
| 512  | 51250       | 19 | 18*  | 117,3 | 117,0 | 61,9 |
| 512  | 51251       |    | 25   |       |       |      |
| 512  | 51252       |    | 30   |       |       |      |
| 512  | 51253       |    | 35   |       |       |      |
| 512  | 51254       |    | 40   |       |       |      |
| 513  | 51350       | 21 | 18*  | 129,3 | 129,0 | 67,8 |
| 513  | 51351       |    | 25   |       |       |      |
| 513  | 51352       |    | 30   |       |       |      |
| 513  | 51353       |    | 35   |       |       |      |
| 513  | 51354       |    | 40   |       |       |      |
| 514  | 51450       | 23 | 18*  | 141,2 | 142,0 | 73,8 |
| 514  | 51451       |    | 25   |       |       |      |
| 514  | 51452       |    | 30   |       |       |      |
| 514  | 51453       |    | 35   |       |       |      |
| 514  | 51454       |    | 40   |       |       |      |
| 515  | 51550       | 25 | 18*  | 153,2 | 154,0 | 79,8 |
| 515  | 51551       |    | 25   |       |       |      |
| 515  | 51552       |    | 30   |       |       |      |
| 515  | 51553       |    | 35   |       |       |      |
| 515  | 51554       |    | 40   |       |       |      |
| 516  | 51650       | 27 | 18*  | 165,2 | 166,8 | 85,8 |
| 516  | 51651       |    | 25   |       |       |      |
| 516  | 51652       |    | 30   |       |       |      |
| 516  | 51653       |    | 35   |       |       |      |
| 516  | 51654       |    | 40   |       |       |      |
| 517  | 51750       | 29 | 18*  | 177,2 | 178,5 | 91,8 |
| 517  | 51751       |    | 25   |       |       |      |
| 517  | 51752       |    | 30   |       |       |      |
| 517  | 51753       |    | 35   |       |       |      |
| 517  | 51754       |    | 40   |       |       |      |

\*Plain Bore



**Materiale / Material / Materialien:**

Poliammide rinforzato/Polyamide reinforced/Verstärktes Polyamid  
 Viti: Acciaio inox/Screws: Stainless steel/Schrauben: Edelstahl  
 Dadi: Ottone nichelato/Nuts: Nickel plated brass/Mutter: Messing

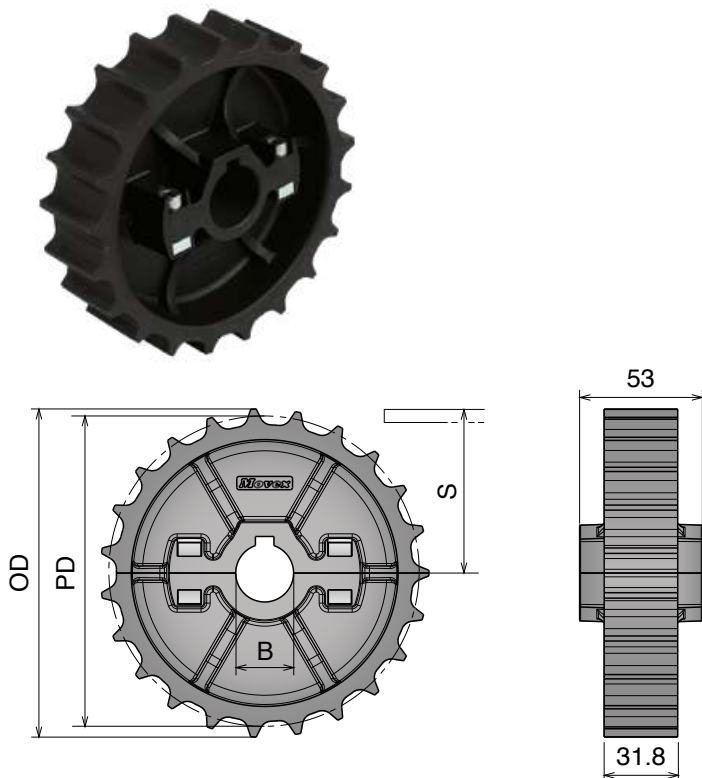
# 881

## Ruota traino divisa, stampata

### Split drive sprocket, molded / geteiltes Antriebskettenrad, gespritzt

Delivery: **Easy** **Standard** Also suitable for Series 881 M, 881 B and 881 TAB

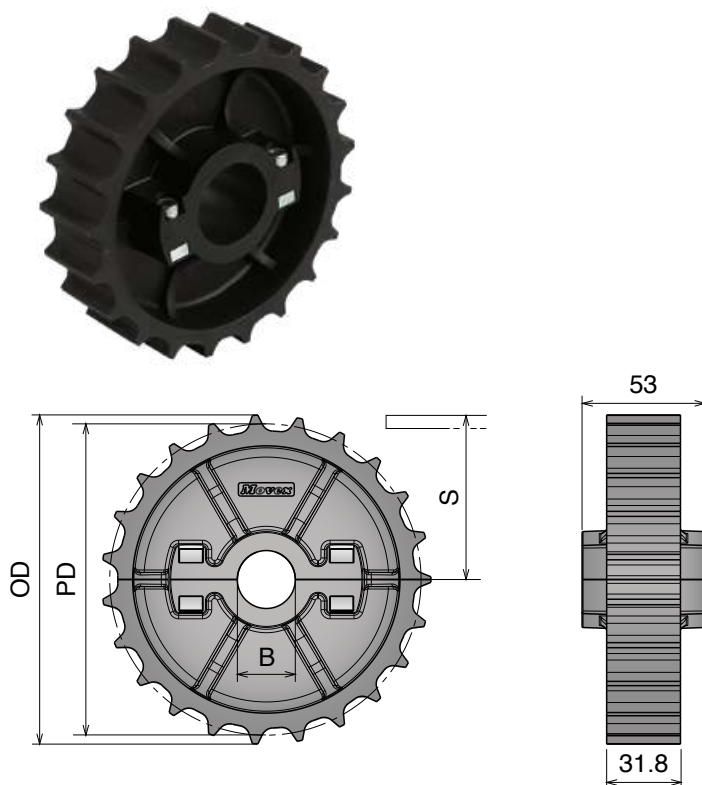
| Part | Article-Nr. | Z- | Bore | PD    | OD    | S    |
|------|-------------|----|------|-------|-------|------|
| 518  | 51801       | 21 | 25   | 129,3 | 129,0 | 67,8 |
| 518  | 51802       |    | 30   |       |       |      |
| 518  | 51803       |    | 35   |       |       |      |
| 518  | 51804       |    | 40   |       |       |      |
| 519  | 51901       | 23 | 25   | 141,2 | 142,0 | 73,8 |
| 519  | 51902       |    | 30   |       |       |      |
| 519  | 51903       |    | 35   |       |       |      |
| 519  | 51904       |    | 40   |       |       |      |
| 520  | 52001       | 25 | 25   | 153,2 | 154,0 | 79,8 |
| 520  | 52002       |    | 30   |       |       |      |
| 520  | 52003       |    | 35   |       |       |      |
| 520  | 52004       |    | 40   |       |       |      |



## Ruota rinvio divisa, stampata

### Split idler sprocket, molded / geteiltes Umlenkrad, gespritzt

| Part | Article-Nr. | Z- | Bore | PD    | OD    | S    |
|------|-------------|----|------|-------|-------|------|
| 518  | 51851       | 21 | 25   | 129,3 | 129,0 | 67,8 |
| 518  | 51852       |    | 30   |       |       |      |
| 518  | 51853       |    | 35   |       |       |      |
| 518  | 51854       |    | 40   |       |       |      |
| 519  | 51951       | 23 | 25   | 141,2 | 142,0 | 73,8 |
| 519  | 51952       |    | 30   |       |       |      |
| 519  | 51953       |    | 35   |       |       |      |
| 519  | 51954       |    | 40   |       |       |      |
| 520  | 52051       | 25 | 25   | 153,2 | 154,0 | 79,8 |
| 520  | 52052       |    | 30   |       |       |      |
| 520  | 52053       |    | 35   |       |       |      |
| 520  | 52054       |    | 40   |       |       |      |

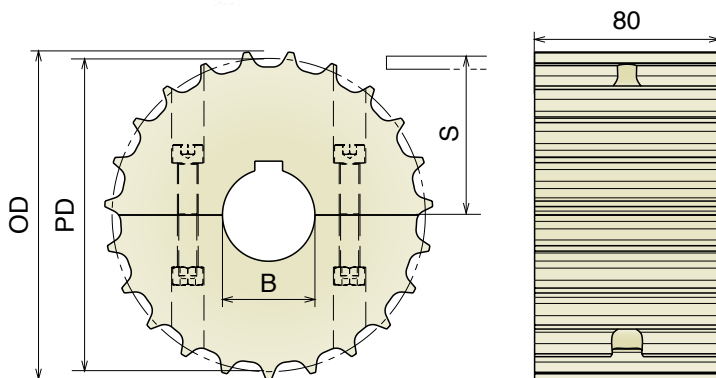


## 805-821

### Ruota traino divisa, fresata

### Split drive sprocket, machined / geteiltes Antriebskettenrad gefräst

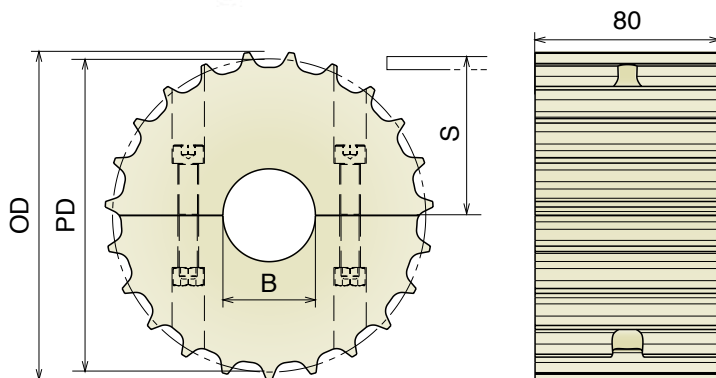
Delivery: **Easy** **Standard**



| Part | Article-Nr. | Z  | Bore | PD    | OD    | S    |
|------|-------------|----|------|-------|-------|------|
| 521  | 52101       | 17 | 25   | 105,5 | 103,9 | 55,9 |
| 521  | 52102       |    | 30   |       |       |      |
| 521  | 52103       |    | 35   |       |       |      |
| 521  | 52104       |    | 40   |       |       |      |
| 522  | 52201       | 19 | 25   | 117,3 | 117,0 | 61,9 |
| 522  | 52202       |    | 30   |       |       |      |
| 522  | 52203       |    | 35   |       |       |      |
| 522  | 52204       |    | 40   |       |       |      |
| 523  | 52301       | 21 | 25   | 129,3 | 129,0 | 67,8 |
| 523  | 52302       |    | 30   |       |       |      |
| 523  | 52303       |    | 35   |       |       |      |
| 523  | 52304       |    | 40   |       |       |      |
| 524  | 52401       | 23 | 25   | 141,2 | 142,0 | 73,8 |
| 524  | 52402       |    | 30   |       |       |      |
| 524  | 52403       |    | 35   |       |       |      |
| 524  | 52404       |    | 40   |       |       |      |
| 525  | 52501       | 25 | 25   | 153,2 | 154,0 | 79,8 |
| 525  | 52502       |    | 30   |       |       |      |
| 525  | 52503       |    | 35   |       |       |      |
| 525  | 52504       |    | 40   |       |       |      |
| 526  | 52601       | 27 | 25   | 165,2 | 166,8 | 85,8 |
| 526  | 52602       |    | 30   |       |       |      |
| 526  | 52603       |    | 35   |       |       |      |
| 526  | 52604       |    | 40   |       |       |      |
| 527  | 52701       | 29 | 25   | 177,2 | 178,5 | 91,8 |
| 527  | 52702       |    | 30   |       |       |      |
| 527  | 52703       |    | 35   |       |       |      |
| 527  | 52704       |    | 40   |       |       |      |

### Ruota rinvio divisa, fresata

### Split idler sprocket, machined / geteiltes Umlenrad, gefräst



| Part | Article-Nr. | Z  | Bore | PD    | OD    | S    |
|------|-------------|----|------|-------|-------|------|
| 521  | 52150       | 17 | 18*  | 105,5 | 103,9 | 55,9 |
| 521  | 52151       |    | 25   |       |       |      |
| 521  | 52152       |    | 30   |       |       |      |
| 521  | 52153       |    | 35   |       |       |      |
| 521  | 52154       |    | 40   |       |       |      |
| 522  | 52250       | 19 | 18*  | 117,3 | 117,0 | 61,9 |
| 522  | 52251       |    | 25   |       |       |      |
| 522  | 52252       |    | 30   |       |       |      |
| 522  | 52253       |    | 35   |       |       |      |
| 522  | 52254       |    | 40   |       |       |      |
| 523  | 52350       | 21 | 18*  | 129,3 | 129,0 | 67,8 |
| 523  | 52351       |    | 25   |       |       |      |
| 523  | 52352       |    | 30   |       |       |      |
| 523  | 52353       |    | 35   |       |       |      |
| 523  | 52354       |    | 40   |       |       |      |
| 524  | 52450       | 23 | 18*  | 141,2 | 142,0 | 73,8 |
| 524  | 52451       |    | 25   |       |       |      |
| 524  | 52452       |    | 30   |       |       |      |
| 524  | 52453       |    | 35   |       |       |      |
| 524  | 52454       |    | 40   |       |       |      |
| 525  | 52550       | 25 | 18*  | 153,2 | 154,0 | 79,8 |
| 525  | 52551       |    | 25   |       |       |      |
| 525  | 52552       |    | 30   |       |       |      |
| 525  | 52553       |    | 35   |       |       |      |
| 525  | 52554       |    | 40   |       |       |      |
| 526  | 52650       | 27 | 18*  | 165,2 | 166,8 | 85,8 |
| 526  | 52651       |    | 25   |       |       |      |
| 526  | 52652       |    | 30   |       |       |      |
| 526  | 52653       |    | 35   |       |       |      |
| 526  | 52654       |    | 40   |       |       |      |
| 527  | 52750       | 29 | 18*  | 177,2 | 178,5 | 91,8 |
| 527  | 52751       |    | 25   |       |       |      |
| 527  | 52752       |    | 30   |       |       |      |
| 527  | 52753       |    | 35   |       |       |      |
| 527  | 52754       |    | 40   |       |       |      |

\*Plain Bore

**Materiale / Material / Materialien:**

Poliammide/Polyamide/Polyamid

Viti: Acciaio inox/Screws: Stainless steel/Schrauben: Edelstahl

Dadi: ferro zincato/Nuts: zinc plated steel/Mutter: verzinkter Stahl

**8157**

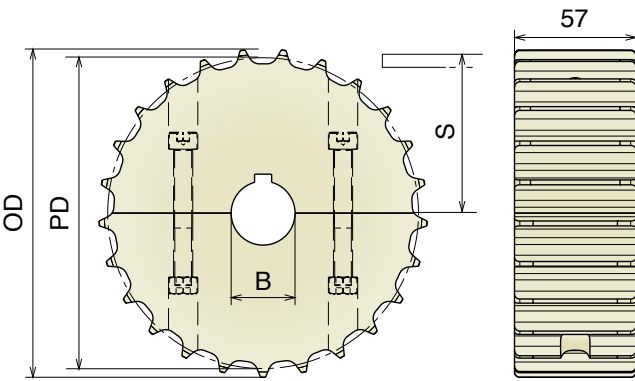
Ruote dentate per catene / Chain sprockets / Kettenräder für Scharnierbandketten

**8157**

**Ruota traino divisa, fresata**

**Split drive sprocket, machined / geteiltes Antriebskettenrad gefräst**

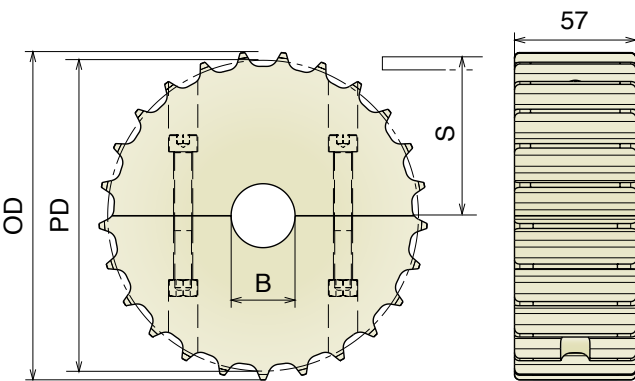
Delivery: **Easy** **Standard** Also suitable for Series 8857 M - 8857 M GT



| Part | Article-Nr. | Z- | Bore | PD    | OD    | S    |
|------|-------------|----|------|-------|-------|------|
| 528  | 52801       | 17 | 25   | 105,5 | 103,9 | 55,9 |
| 528  | 52802       |    | 30   |       |       |      |
| 528  | 52803       |    | 35   |       |       |      |
| 528  | 52804       |    | 40   |       |       |      |
| 529  | 52901       | 19 | 25   | 117,3 | 117,0 | 61,9 |
| 529  | 52902       |    | 30   |       |       |      |
| 529  | 52903       |    | 35   |       |       |      |
| 529  | 52904       |    | 40   |       |       |      |
| 530  | 53001       | 21 | 25   | 129,3 | 129,0 | 67,8 |
| 530  | 53002       |    | 30   |       |       |      |
| 530  | 53003       |    | 35   |       |       |      |
| 530  | 53004       |    | 40   |       |       |      |
| 531  | 53101       | 23 | 25   | 141,2 | 142,0 | 73,8 |
| 531  | 53102       |    | 30   |       |       |      |
| 531  | 53103       |    | 35   |       |       |      |
| 531  | 53104       |    | 40   |       |       |      |
| 532  | 53201       | 25 | 25   | 153,2 | 154,0 | 79,8 |
| 532  | 53202       |    | 30   |       |       |      |
| 532  | 53203       |    | 35   |       |       |      |
| 532  | 53204       |    | 40   |       |       |      |
| 533  | 53301       | 27 | 25   | 165,2 | 166,8 | 85,8 |
| 533  | 53302       |    | 30   |       |       |      |
| 533  | 53303       |    | 35   |       |       |      |
| 533  | 53304       |    | 40   |       |       |      |
| 534  | 53401       | 29 | 25   | 177,2 | 178,5 | 91,8 |
| 534  | 53402       |    | 30   |       |       |      |
| 534  | 53403       |    | 35   |       |       |      |
| 534  | 53404       |    | 40   |       |       |      |

**Ruota rinvio divisa, fresata**

**Split idler sprocket, machined / geteiltes Umlenrad, gefräst**



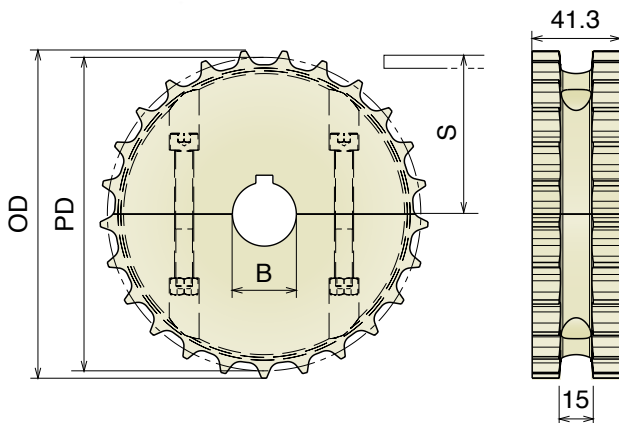
| Part | Article-Nr. | Z- | Bore | PD    | OD    | S    |
|------|-------------|----|------|-------|-------|------|
| 528  | 52850       | 17 | 18*  | 105,5 | 103,9 | 55,9 |
| 528  | 52851       |    | 25   |       |       |      |
| 528  | 52852       |    | 30   |       |       |      |
| 528  | 52853       |    | 35   |       |       |      |
| 528  | 52854       |    | 40   |       |       |      |
| 529  | 52950       | 19 | 18*  | 117,3 | 117,0 | 61,9 |
| 529  | 52951       |    | 25   |       |       |      |
| 529  | 52952       |    | 30   |       |       |      |
| 529  | 52953       |    | 35   |       |       |      |
| 529  | 52954       |    | 40   |       |       |      |
| 530  | 53050       | 21 | 18*  | 129,3 | 129,0 | 67,8 |
| 530  | 53051       |    | 25   |       |       |      |
| 530  | 53052       |    | 30   |       |       |      |
| 530  | 53053       |    | 35   |       |       |      |
| 530  | 53054       |    | 40   |       |       |      |
| 531  | 53150       | 23 | 18*  | 141,2 | 142,0 | 73,8 |
| 531  | 53151       |    | 25   |       |       |      |
| 531  | 53152       |    | 30   |       |       |      |
| 531  | 53153       |    | 35   |       |       |      |
| 531  | 53154       |    | 40   |       |       |      |
| 532  | 53250       | 25 | 18*  | 153,2 | 154,0 | 79,8 |
| 532  | 53251       |    | 25   |       |       |      |
| 532  | 53252       |    | 30   |       |       |      |
| 532  | 53253       |    | 35   |       |       |      |
| 532  | 53254       |    | 40   |       |       |      |
| 533  | 53350       | 27 | 18*  | 165,2 | 166,8 | 85,8 |
| 533  | 53351       |    | 25   |       |       |      |
| 533  | 53352       |    | 30   |       |       |      |
| 533  | 53353       |    | 35   |       |       |      |
| 533  | 53354       |    | 40   |       |       |      |
| 534  | 53450       | 29 | 18*  | 177,2 | 178,5 | 91,8 |
| 534  | 53451       |    | 25   |       |       |      |
| 534  | 53452       |    | 30   |       |       |      |
| 534  | 53453       |    | 35   |       |       |      |
| 534  | 53454       |    | 40   |       |       |      |

\*Plain Bore

820

## Ruota traino divisa, fresata

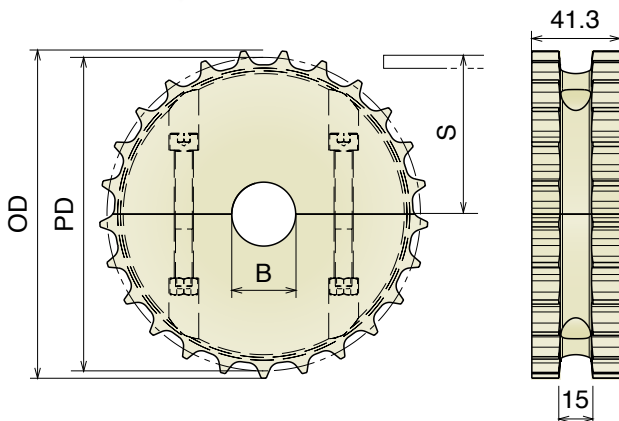
## Split drive sprocket, machined / geteiltes Antriebskettenrad gefräst

Delivery: **Easy** **Standard**

| Part | Article-Nr. | Z  | Bore | PD    | OD    | S    |
|------|-------------|----|------|-------|-------|------|
| 535  | 53501       | 17 | 25   | 105,5 | 103,9 | 55,9 |
| 535  | 53502       |    | 30   |       |       |      |
| 535  | 53503       |    | 35   |       |       |      |
| 535  | 53504       |    | 40   |       |       |      |
| 536  | 53601       | 19 | 25   | 117,3 | 117,0 | 61,9 |
| 536  | 53602       |    | 30   |       |       |      |
| 536  | 53603       |    | 35   |       |       |      |
| 536  | 53604       |    | 40   |       |       |      |
| 537  | 53701       | 21 | 25   | 129,3 | 129,0 | 67,8 |
| 537  | 53702       |    | 30   |       |       |      |
| 537  | 53703       |    | 35   |       |       |      |
| 537  | 53704       |    | 40   |       |       |      |
| 538  | 53801       | 23 | 25   | 141,2 | 142,0 | 73,8 |
| 538  | 53802       |    | 30   |       |       |      |
| 538  | 53803       |    | 35   |       |       |      |
| 538  | 53804       |    | 40   |       |       |      |
| 539  | 53901       | 25 | 25   | 153,2 | 154,0 | 79,8 |
| 539  | 53902       |    | 30   |       |       |      |
| 539  | 53903       |    | 35   |       |       |      |
| 539  | 53904       |    | 40   |       |       |      |
| 540  | 54001       | 27 | 25   | 165,2 | 166,8 | 85,8 |
| 540  | 54002       |    | 30   |       |       |      |
| 540  | 54003       |    | 35   |       |       |      |
| 540  | 54004       |    | 40   |       |       |      |
| 541  | 54101       | 29 | 25   | 177,2 | 178,5 | 91,8 |
| 541  | 54102       |    | 30   |       |       |      |
| 541  | 54103       |    | 35   |       |       |      |
| 541  | 54104       |    | 40   |       |       |      |

## Ruota rinvio divisa, fresata

## Split idler sprocket, machined / geteiltes Umlenrad, gefräst



| Part | Article-Nr. | Z  | Bore | PD    | OD    | S    |
|------|-------------|----|------|-------|-------|------|
| 535  | 53550       | 17 | 18*  | 105,5 | 103,9 | 55,9 |
| 535  | 53551       |    | 25   |       |       |      |
| 535  | 53552       |    | 30   |       |       |      |
| 535  | 53553       |    | 35   |       |       |      |
| 535  | 53554       |    | 40   |       |       |      |
| 536  | 53650       | 19 | 18*  | 117,3 | 117,0 | 61,9 |
| 536  | 53651       |    | 25   |       |       |      |
| 536  | 53652       |    | 30   |       |       |      |
| 536  | 53653       |    | 35   |       |       |      |
| 536  | 53654       |    | 40   |       |       |      |
| 537  | 53750       | 21 | 18*  | 129,3 | 129,0 | 67,8 |
| 537  | 53751       |    | 25   |       |       |      |
| 537  | 53752       |    | 30   |       |       |      |
| 537  | 53753       |    | 35   |       |       |      |
| 537  | 53754       |    | 40   |       |       |      |
| 538  | 53850       | 23 | 18*  | 141,2 | 142,0 | 73,8 |
| 538  | 53851       |    | 25   |       |       |      |
| 538  | 53852       |    | 30   |       |       |      |
| 538  | 53853       |    | 35   |       |       |      |
| 538  | 53854       |    | 40   |       |       |      |
| 539  | 53950       | 25 | 18*  | 153,2 | 154,0 | 79,8 |
| 539  | 53951       |    | 25   |       |       |      |
| 539  | 53952       |    | 30   |       |       |      |
| 539  | 53953       |    | 35   |       |       |      |
| 539  | 53954       |    | 40   |       |       |      |
| 540  | 54050       | 27 | 18*  | 165,2 | 166,8 | 85,8 |
| 540  | 54051       |    | 25   |       |       |      |
| 540  | 54052       |    | 30   |       |       |      |
| 540  | 54053       |    | 35   |       |       |      |
| 540  | 54054       |    | 40   |       |       |      |
| 541  | 54150       | 29 | 18*  | 177,2 | 178,5 | 91,8 |
| 541  | 54151       |    | 25   |       |       |      |
| 541  | 54152       |    | 30   |       |       |      |
| 541  | 54153       |    | 35   |       |       |      |
| 541  | 54154       |    | 40   |       |       |      |

\*Plain Bore

**Materiale / Material / Materialien:**

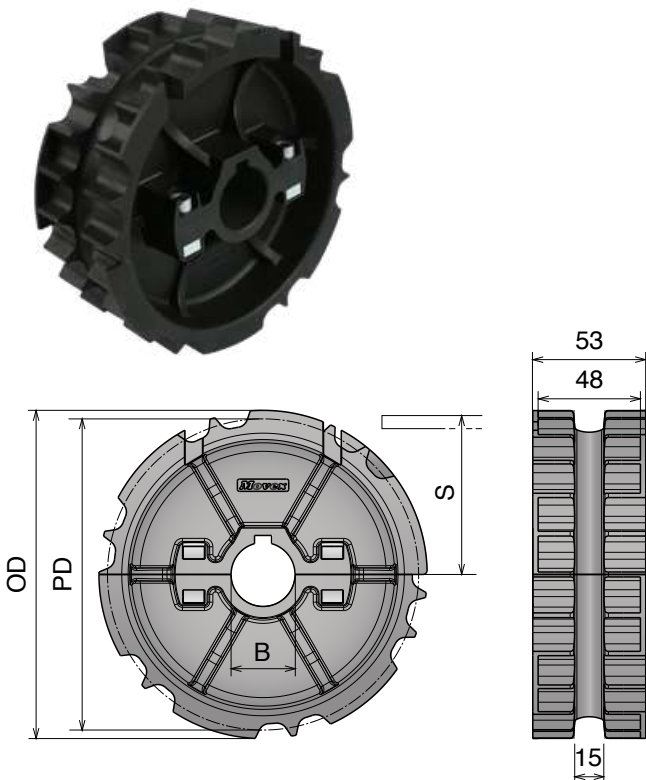
Poliamide rinforzato/Polyamide reinforced/Verstärktes Polyamid  
 Viti: Acciaio inox/Screws: Stainless steel/Schrauben: Edelstahl  
 Dadi: Ottone nichelato/Nuts: Nickel plated brass/Mutter: Messing

## 820 Ruota traino divisa, stampata

### Split drive sprocket, molded / geteiltes Antriebskettenrad, gespritzt

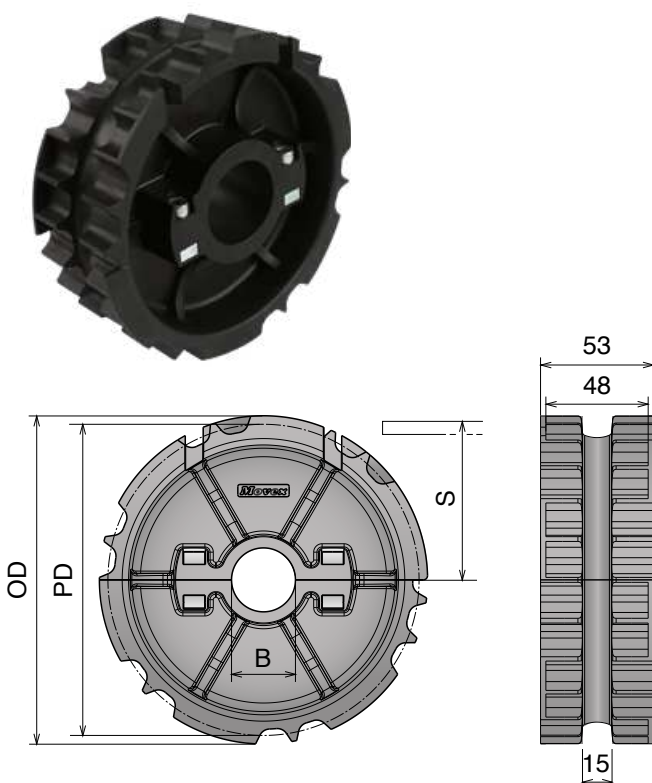
Delivery: **Easy** Standard

| Part | Article-Nr. | Z- | Bore | PD    | OD    | S    |
|------|-------------|----|------|-------|-------|------|
| 542  | 54201       | 21 | 25   | 129,3 | 129,0 | 67,8 |
| 542  | 54202       |    | 30   |       |       |      |
| 542  | 54203       |    | 35   |       |       |      |
| 542  | 54204       |    | 40   |       |       |      |
| 543  | 54301       | 23 | 25   | 141,2 | 142,0 | 73,8 |
| 543  | 54302       |    | 30   |       |       |      |
| 543  | 54303       |    | 35   |       |       |      |
| 543  | 54304       |    | 40   |       |       |      |
| 544  | 54401       | 25 | 25   | 153,2 | 154,0 | 79,8 |
| 544  | 54402       |    | 30   |       |       |      |
| 544  | 54403       |    | 35   |       |       |      |
| 544  | 54404       |    | 40   |       |       |      |



## Ruota rinvio divisa, stampata

### Split idler sprocket, molded / geteiltes Umlenkrad, gespritzt

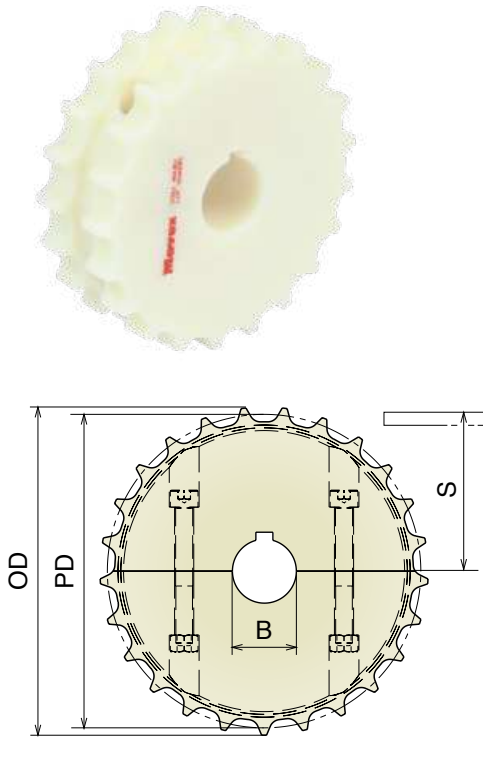


| Part | Article-Nr. | Z- | Bore | PD    | OD    | S    |
|------|-------------|----|------|-------|-------|------|
| 542  | 54251       | 21 | 25   | 129,3 | 129,0 | 67,8 |
| 542  | 54252       |    | 30   |       |       |      |
| 542  | 54253       |    | 35   |       |       |      |
| 542  | 54254       |    | 40   |       |       |      |
| 543  | 54351       | 23 | 25   | 141,2 | 142,0 | 73,8 |
| 543  | 54352       |    | 30   |       |       |      |
| 543  | 54353       |    | 35   |       |       |      |
| 543  | 54354       |    | 40   |       |       |      |
| 544  | 54451       | 25 | 25   | 153,2 | 154,0 | 79,8 |
| 544  | 54452       |    | 30   |       |       |      |
| 544  | 54453       |    | 35   |       |       |      |
| 544  | 54454       |    | 40   |       |       |      |

## 831

## Ruota traino divisa, fresata

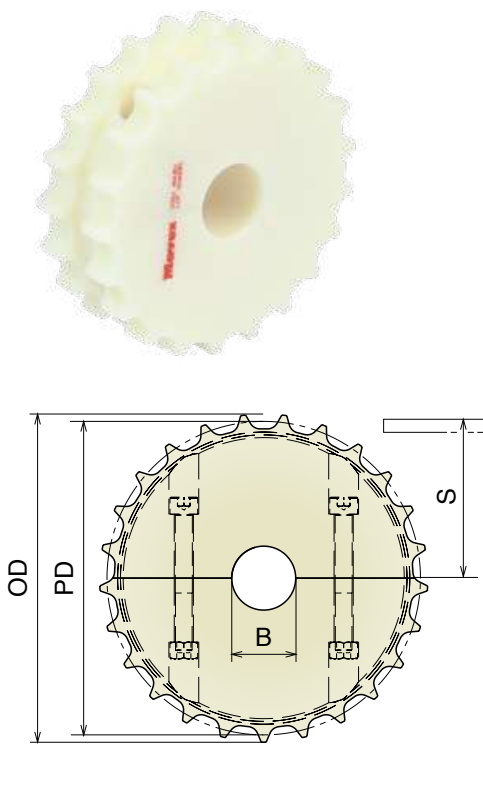
## Split drive sprocket, machined / geteiltes Antriebskettenrad gefräst

Delivery: **Easy** **Standard**

| Part | Article-Nr. | Z  | Bore | PD    | OD    | S    |
|------|-------------|----|------|-------|-------|------|
| 535  | 53501       | 17 | 25   | 105,5 | 103,9 | 55,1 |
| 535  | 53502       |    | 30   |       |       |      |
| 535  | 53503       |    | 35   |       |       |      |
| 535  | 53504       |    | 40   |       |       |      |
| 536  | 53601       | 19 | 25   | 117,3 | 117,0 | 61,1 |
| 536  | 53602       |    | 30   |       |       |      |
| 536  | 53603       |    | 35   |       |       |      |
| 536  | 53604       |    | 40   |       |       |      |
| 537  | 53701       | 21 | 25   | 129,3 | 129,0 | 67,0 |
| 537  | 53702       |    | 30   |       |       |      |
| 537  | 53703       |    | 35   |       |       |      |
| 537  | 53704       |    | 40   |       |       |      |
| 538  | 53801       | 23 | 25   | 141,2 | 142,0 | 73,0 |
| 538  | 53802       |    | 30   |       |       |      |
| 538  | 53803       |    | 35   |       |       |      |
| 538  | 53804       |    | 40   |       |       |      |
| 539  | 53901       | 25 | 25   | 153,2 | 154,0 | 79,0 |
| 539  | 53902       |    | 30   |       |       |      |
| 539  | 53903       |    | 35   |       |       |      |
| 539  | 53904       |    | 40   |       |       |      |
| 540  | 54001       | 27 | 25   | 165,2 | 166,8 | 85,0 |
| 540  | 54002       |    | 30   |       |       |      |
| 540  | 54003       |    | 35   |       |       |      |
| 540  | 54004       |    | 40   |       |       |      |
| 541  | 54101       | 29 | 25   | 177,2 | 178,5 | 91,0 |
| 541  | 54102       |    | 30   |       |       |      |
| 541  | 54103       |    | 35   |       |       |      |
| 541  | 54104       |    | 40   |       |       |      |

## Ruota rinvio divisa, fresata

## Split idler sprocket, machined / geteiltes Umlenrad, gefräst



| Part | Article-Nr. | Z  | Bore | PD    | OD    | S    |
|------|-------------|----|------|-------|-------|------|
| 535  | 53550       | 17 | 18*  | 105,5 | 103,9 | 55,1 |
| 535  | 53551       |    | 25   |       |       |      |
| 535  | 53552       |    | 30   |       |       |      |
| 535  | 53553       |    | 35   |       |       |      |
| 535  | 53554       |    | 40   |       |       |      |
| 536  | 53650       | 19 | 18*  | 117,3 | 117,0 | 61,1 |
| 536  | 53651       |    | 25   |       |       |      |
| 536  | 53652       |    | 30   |       |       |      |
| 536  | 53653       |    | 35   |       |       |      |
| 536  | 53654       |    | 40   |       |       |      |
| 537  | 53750       | 21 | 18*  | 129,3 | 129,0 | 67,0 |
| 537  | 53751       |    | 25   |       |       |      |
| 537  | 53752       |    | 30   |       |       |      |
| 537  | 53753       |    | 35   |       |       |      |
| 537  | 53754       |    | 40   |       |       |      |
| 538  | 53850       | 23 | 18*  | 141,2 | 142,0 | 73,0 |
| 538  | 53851       |    | 25   |       |       |      |
| 538  | 53852       |    | 30   |       |       |      |
| 538  | 53853       |    | 35   |       |       |      |
| 538  | 53854       |    | 40   |       |       |      |
| 539  | 53950       | 25 | 18*  | 153,2 | 154,0 | 79,0 |
| 539  | 53951       |    | 25   |       |       |      |
| 539  | 53952       |    | 30   |       |       |      |
| 539  | 53953       |    | 35   |       |       |      |
| 539  | 53954       |    | 40   |       |       |      |
| 540  | 54050       | 27 | 18*  | 165,2 | 166,8 | 85,0 |
| 540  | 54051       |    | 25   |       |       |      |
| 540  | 54052       |    | 30   |       |       |      |
| 540  | 54053       |    | 35   |       |       |      |
| 540  | 54054       |    | 40   |       |       |      |
| 541  | 54150       | 29 | 18*  | 177,2 | 178,5 | 91,0 |
| 541  | 54151       |    | 25   |       |       |      |
| 541  | 54152       |    | 30   |       |       |      |
| 541  | 54153       |    | 35   |       |       |      |
| 541  | 54154       |    | 40   |       |       |      |

\*Plain Bore

**Materiale / Material / Materialien:**

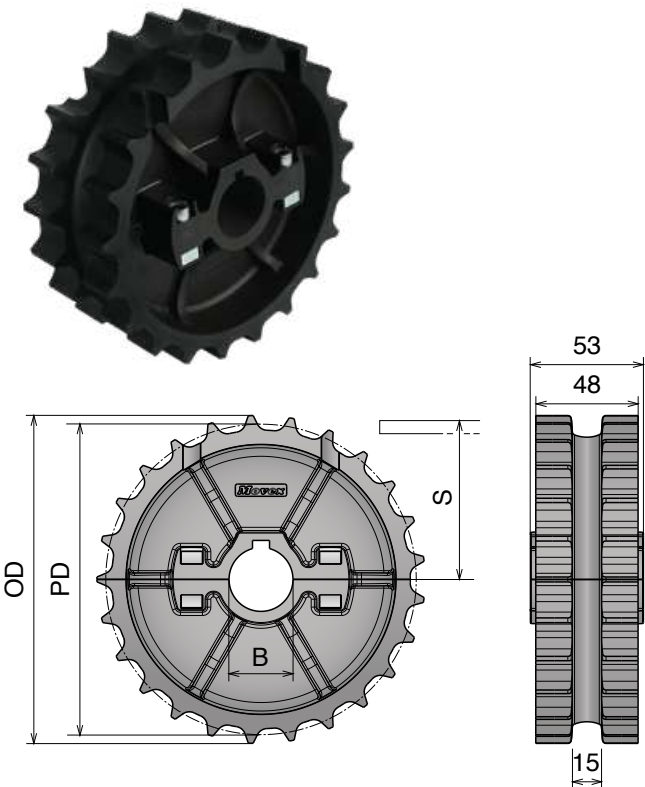
Poliamide rinforzato/Polyamide reinforced/Verstärktes Polyamid  
 Viti: Acciaio inox/Screws: Stainless steel/Schrauben: Edelstahl  
 Dadi: Ottone nichelato/Nuts: Nickel plated brass/Mutter: Messing

# 831

## Ruota traino divisa, stampata

### Split drive sprocket, molded / geteiltes Antriebskettenrad, gespritzt

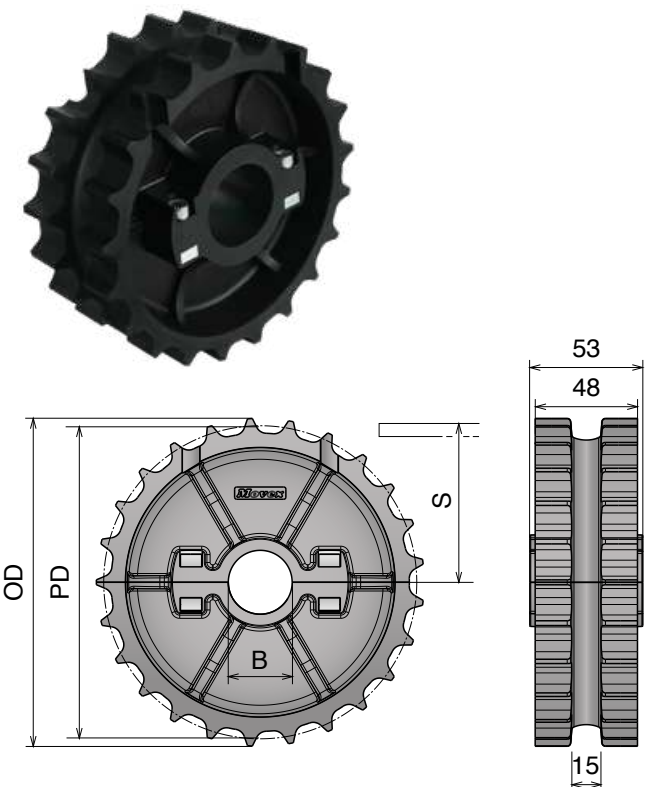
| Part | Article-Nr. | Z  | Bore | PD    | OD    | S    |
|------|-------------|----|------|-------|-------|------|
| 542  | 54201-2L    | 21 | 25   | 129,3 | 129,0 | 67,0 |
| 542  | 54202-2L    |    | 30   |       |       |      |
| 542  | 54203-2L    |    | 35   |       |       |      |
| 542  | 54204-2L    |    | 40   |       |       |      |
| 543  | 54301-2L    | 23 | 25   | 141,2 | 142,0 | 73,0 |
| 543  | 54302-2L    |    | 30   |       |       |      |
| 543  | 54303-2L    |    | 35   |       |       |      |
| 543  | 54304-2L    |    | 40   |       |       |      |
| 544  | 54401-2L    | 25 | 25   | 153,2 | 154,0 | 79,0 |
| 544  | 54402-2L    |    | 30   |       |       |      |
| 544  | 54403-2L    |    | 35   |       |       |      |
| 544  | 54404-2L    |    | 40   |       |       |      |



## Ruota rinvio divisa, stampata

### Split idler sprocket, molded / geteiltes Umlenkrad, gespritzt

| Part | Article-Nr. | Z  | Bore | PD    | OD    | S    |
|------|-------------|----|------|-------|-------|------|
| 542  | 54251-2L    | 21 | 25   | 129,3 | 129,0 | 67,0 |
| 542  | 54252-2L    |    | 30   |       |       |      |
| 542  | 54253-2L    |    | 35   |       |       |      |
| 542  | 54254-2L    |    | 40   |       |       |      |
| 543  | 54351-2L    | 23 | 25   | 141,2 | 142,0 | 73,0 |
| 543  | 54352-2L    |    | 30   |       |       |      |
| 543  | 54353-2L    |    | 35   |       |       |      |
| 543  | 54354-2L    |    | 40   |       |       |      |
| 544  | 54451-2L    | 25 | 25   | 153,2 | 154,0 | 79,0 |
| 544  | 54452-2L    |    | 30   |       |       |      |
| 544  | 54453-2L    |    | 35   |       |       |      |
| 544  | 54454-2L    |    | 40   |       |       |      |

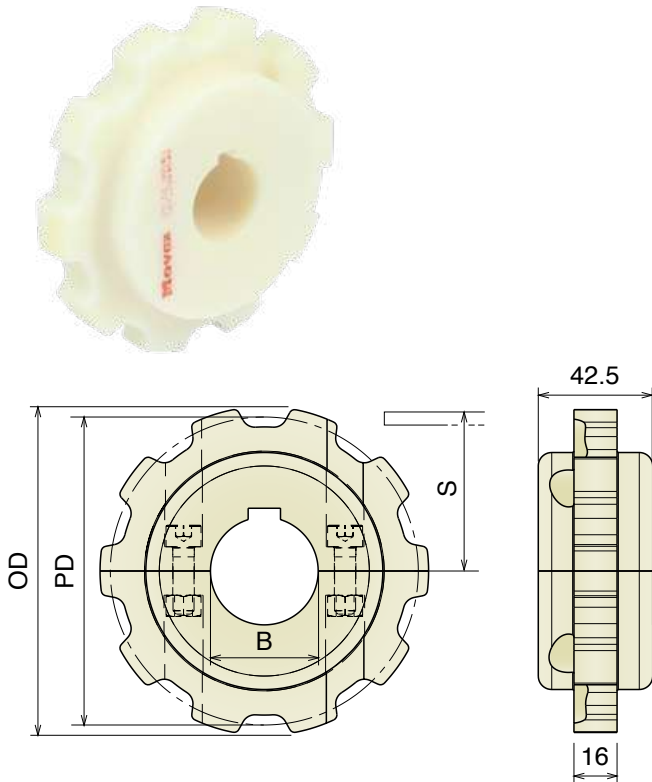


880

## Ruota traino divisa, fresata

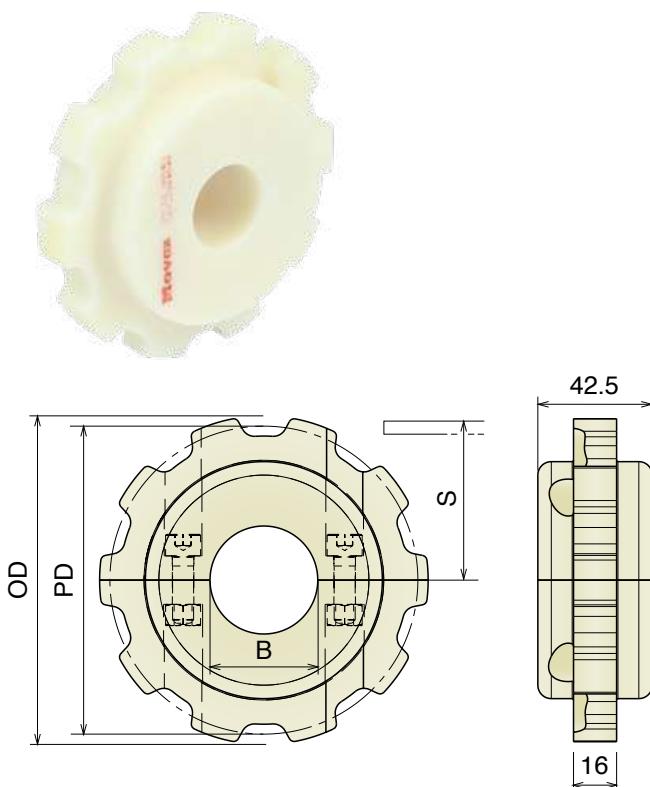
## Split drive sprocket, machined / geteiltes Antriebskettenrad gefräst

| Delivery: | Easy | Standard | Used also for Series 828 - 878 TAB - 879 M - 879 TAB - 888 TAB - 888 TAB GT | Part | Article-Nr. | Z- | Bore | PD    | OD    | S     |
|-----------|------|----------|---|------|-------------|----|------|-------|-------|-------|
|           |      |          |   | 545  | 54501       | 9  | 25   | 111,4 | 110,0 | 59,3  |
|           |      |          |   | 545  | 54502       |    | 30   |       |       |       |
|           |      |          |   | 545  | 54503       |    | 35   |       |       |       |
|           |      |          |   | 545  | 54504       |    | 40   |       |       |       |
|           |      |          |   | 546  | 54601       | 10 | 25   | 123,3 | 122,0 | 65,25 |
|           |      |          |   | 546  | 54602       |    | 30   |       |       |       |
|           |      |          |   | 546  | 54603       |    | 35   |       |       |       |
|           |      |          |   | 546  | 54604       |    | 40   |       |       |       |
|           |      |          |   | 547  | 54701       | 11 | 25   | 135,2 | 135,0 | 71,2  |
|           |      |          |   | 547  | 54702       |    | 30   |       |       |       |
|           |      |          |   | 547  | 54703       |    | 35   |       |       |       |
|           |      |          |   | 547  | 54704       |    | 40   |       |       |       |
|           |      |          |   | 548  | 54801       | 12 | 25   | 147,2 | 147,3 | 77,2  |
|           |      |          |   | 548  | 54802       |    | 30   |       |       |       |
|           |      |          |   | 548  | 54803       |    | 35   |       |       |       |
|           |      |          |   | 548  | 54804       |    | 40   |       |       |       |



## Ruota rinvio divisa, fresata

## Split idler sprocket, machined / geteiltes Umlenrad, gefräst



| Part | Article-Nr. | Z- | Bore | PD    | OD    | S     |
|------|-------------|----|------|-------|-------|-------|
| 545  | 54550       | 9  | 18*  | 111,4 | 110,0 | 59,3  |
| 545  | 54551       |    | 25   |       |       |       |
| 545  | 54552       |    | 30   |       |       |       |
| 545  | 54553       |    | 35   |       |       |       |
| 545  | 54554       |    | 40   |       |       |       |
| 546  | 54650       | 10 | 18*  | 123,3 | 122,0 | 65,25 |
| 546  | 54651       |    | 25   |       |       |       |
| 546  | 54652       |    | 30   |       |       |       |
| 546  | 54653       |    | 35   |       |       |       |
| 546  | 54654       |    | 40   |       |       |       |
| 547  | 54750       | 11 | 18*  | 135,2 | 135,0 | 71,2  |
| 547  | 54751       |    | 25   |       |       |       |
| 547  | 54752       |    | 30   |       |       |       |
| 547  | 54753       |    | 35   |       |       |       |
| 547  | 54754       |    | 40   |       |       |       |
| 548  | 54850       | 12 | 18*  | 147,2 | 147,3 | 77,2  |
| 548  | 54851       |    | 25   |       |       |       |
| 548  | 54852       |    | 30   |       |       |       |
| 548  | 54853       |    | 35   |       |       |       |
| 548  | 54854       |    | 40   |       |       |       |

\*Plain Bore



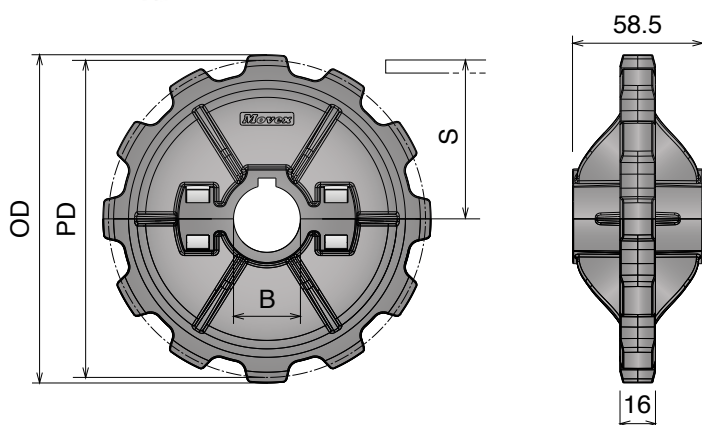
**Materiale / Material / Materialien:**

Poliamide rinforzato/Polyamide reinforced/Verstärktes Polyamid  
 Viti: Acciaio inox/Screws: Stainless steel/Schrauben: Edelstahl  
 Dadi: Ottone nichelato/Nuts: Nickel plated brass/Mutter: Messing

## 880 Ruota traino divisa, stampata

### Split drive sprocket, molded / geteiltes Antriebskettenrad, gespritzt

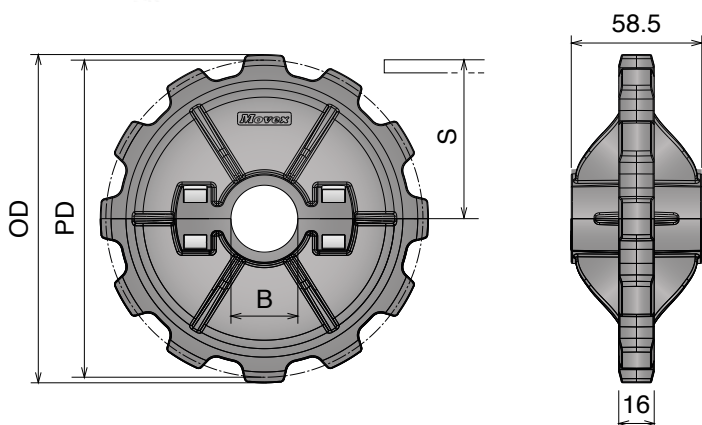
| Delivery: | Easy | Standard | Used also for Series 828 - 878 TAB - 879 M - 879 TAB - 888 TAB - 888 TAB GT | Part | Article-Nr. | Z- | Bore | PD    | OD    | S     |
|-----------|------|----------|---|------|-------------|----|------|-------|-------|-------|
|           |      |          |   | 549  | 54901       | 10 | 25   | 123,3 | 122,0 | 65,25 |
|           |      |          |   | 549  | 54902       |    | 30   |       |       |       |
|           |      |          |   | 549  | 54903       |    | 35   |       |       |       |
|           |      |          |   | 549  | 54904       |    | 40   |       |       |       |
|           |      |          |   | 550  | 55001       | 12 | 25   | 147,2 | 147,3 | 77,2  |
|           |      |          |   | 550  | 55002       |    | 30   |       |       |       |
|           |      |          |   | 550  | 55003       |    | 35   |       |       |       |
|           |      |          |   | 550  | 55004       |    | 40   |       |       |       |



## Ruota rinvio divisa, stampata

### Split idler sprocket, molded / geteiltes Umlenkrad, gespritzt

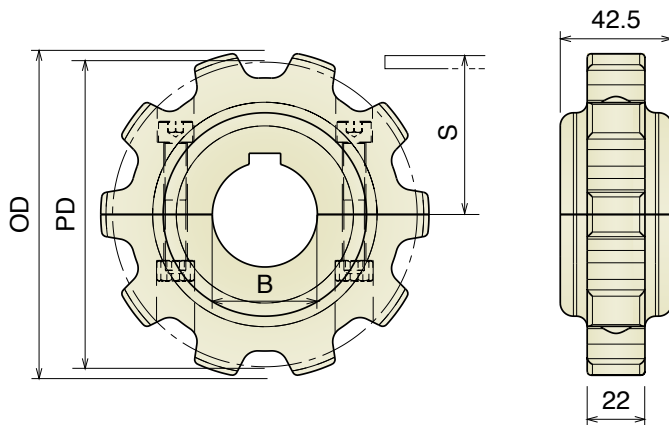
| Part | Article-Nr. | Z- | Bore | PD    | OD    | S     |
|------|-------------|----|------|-------|-------|-------|
| 549  | 54951       | 10 | 25   | 123,3 | 122,0 | 65,25 |
| 549  | 54952       |    | 30   |       |       |       |
| 549  | 54953       |    | 35   |       |       |       |
| 549  | 54954       |    | 40   |       |       |       |
| 550  | 55051       | 12 | 25   | 147,2 | 147,3 | 77,2  |
| 550  | 55052       |    | 30   |       |       |       |
| 550  | 55053       |    | 35   |       |       |       |
| 550  | 55054       |    | 40   |       |       |       |



## 882

## Ruota traino divisa, fresata

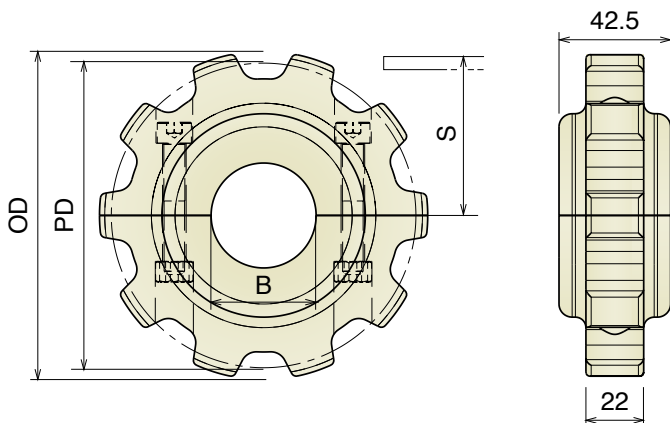
## Split drive sprocket, machined / geteiltes Antriebskettenrad gefräst

Delivery: **Easy** **Standard** Also suitable for Series 8257

| Part | Article-Nr. | Z  | Bore | PD    | OD    | S    |
|------|-------------|----|------|-------|-------|------|
| 551  | 55101       | 9  | 25   | 111,4 | 112,0 | 60,5 |
| 551  | 55102       |    | 30   |       |       |      |
| 551  | 55103       |    | 35   |       |       |      |
| 551  | 55104       |    | 40   |       |       |      |
| 552  | 55201       | 10 | 25   | 123,2 | 125,0 | 66,4 |
| 552  | 55202       |    | 30   |       |       |      |
| 552  | 55203       |    | 35   |       |       |      |
| 552  | 55204       |    | 40   |       |       |      |
| 553  | 55301       | 11 | 25   | 135,2 | 137,0 | 72,4 |
| 553  | 55302       |    | 30   |       |       |      |
| 553  | 55303       |    | 35   |       |       |      |
| 553  | 55304       |    | 40   |       |       |      |
| 554  | 55401       | 12 | 25   | 147,2 | 149,0 | 78,4 |
| 554  | 55402       |    | 30   |       |       |      |
| 554  | 55403       |    | 35   |       |       |      |
| 554  | 55404       |    | 40   |       |       |      |
| 554  | 55406       |    | 50   |       |       |      |

## Ruota rinvio divisa, fresata

## Split idler sprocket, machined / geteiltes Umlenrad, gefräst



| Part | Article-Nr. | Z  | Bore | PD    | OD    | S    |
|------|-------------|----|------|-------|-------|------|
| 551  | 55150       | 9  | 18*  | 111,4 | 112,0 | 60,5 |
| 551  | 55151       |    | 25   |       |       |      |
| 551  | 55152       |    | 30   |       |       |      |
| 551  | 55153       |    | 35   |       |       |      |
| 551  | 55154       |    | 40   |       |       |      |
| 552  | 55250       | 10 | 18*  | 123,2 | 125,0 | 66,4 |
| 552  | 55251       |    | 25   |       |       |      |
| 552  | 55252       |    | 30   |       |       |      |
| 552  | 55253       |    | 35   |       |       |      |
| 552  | 55254       |    | 40   |       |       |      |
| 553  | 55350       | 11 | 18*  | 135,2 | 137,0 | 72,4 |
| 553  | 55351       |    | 25   |       |       |      |
| 553  | 55352       |    | 30   |       |       |      |
| 553  | 55353       |    | 35   |       |       |      |
| 553  | 55354       |    | 40   |       |       |      |
| 554  | 55450       | 12 | 18*  | 147,2 | 149,0 | 78,4 |
| 554  | 55451       |    | 25   |       |       |      |
| 554  | 55452       |    | 30   |       |       |      |
| 554  | 55453       |    | 35   |       |       |      |
| 554  | 55454       |    | 40   |       |       |      |

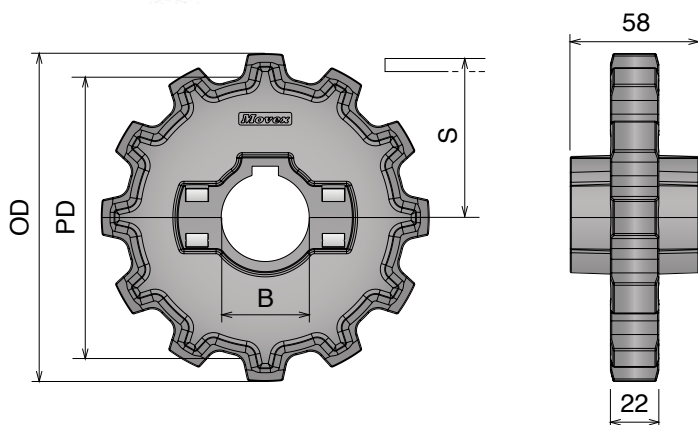
\*Plain Bore

**Materiale / Material / Materialien:**

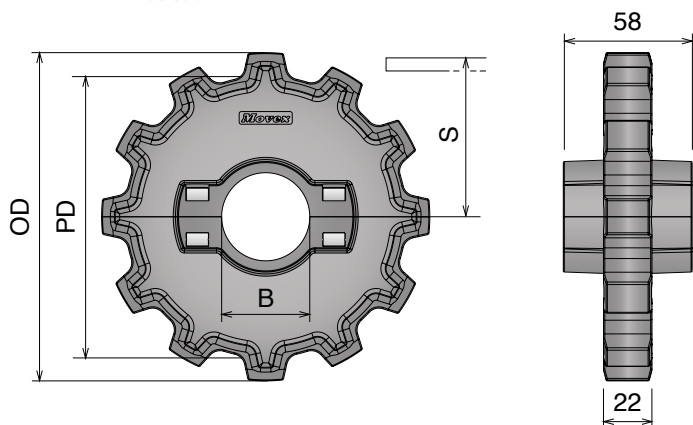
Poliamide rinforzato/Polyamide reinforced/Verstärktes Polyamid  
 Viti: Acciaio inox/Screws: Stainless steel/Schrauben: Edelstahl  
 Dadi: Ottone nichelato/Nuts: Nickel plated brass/Mutter: Messing

**882****Ruota traino divisa, stampata****Split drive sprocket, molded / geteiltes Antriebskettenrad, gespritzt**Delivery: **Easy** **Standard** Also suitable for Series 8257

| Part | Article-Nr. | Z- | Bore | PD    | OD    | S    |
|------|-------------|----|------|-------|-------|------|
| 556  | 55601       | 12 | 25   | 147,2 | 149,0 | 78,4 |
| 556  | 55602       |    | 30   |       |       |      |
| 556  | 55603       |    | 35   |       |       |      |
| 556  | 55604       |    | 40   |       |       |      |

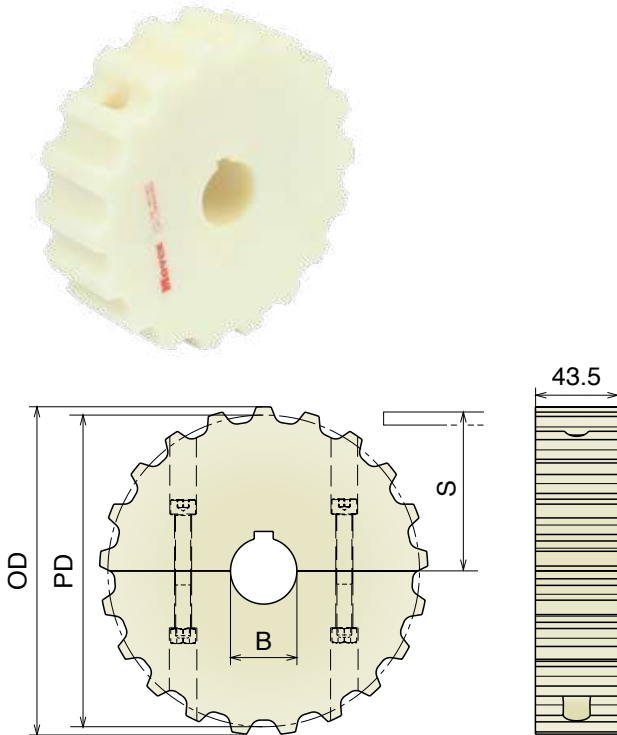
**Ruota rinvio divisa, stampata****Split idler sprocket, molded / geteiltes Umlenkrad, gespritzt**

| Part | Article-Nr. | Z- | Bore | PD    | OD    | S    |
|------|-------------|----|------|-------|-------|------|
| 556  | 55651       | 12 | 25   | 147,2 | 149,0 | 78,4 |
| 556  | 55652       |    | 30   |       |       |      |
| 556  | 55653       |    | 35   |       |       |      |
| 556  | 55654       |    | 40   |       |       |      |



## 512 Ruota traino divisa, fresata

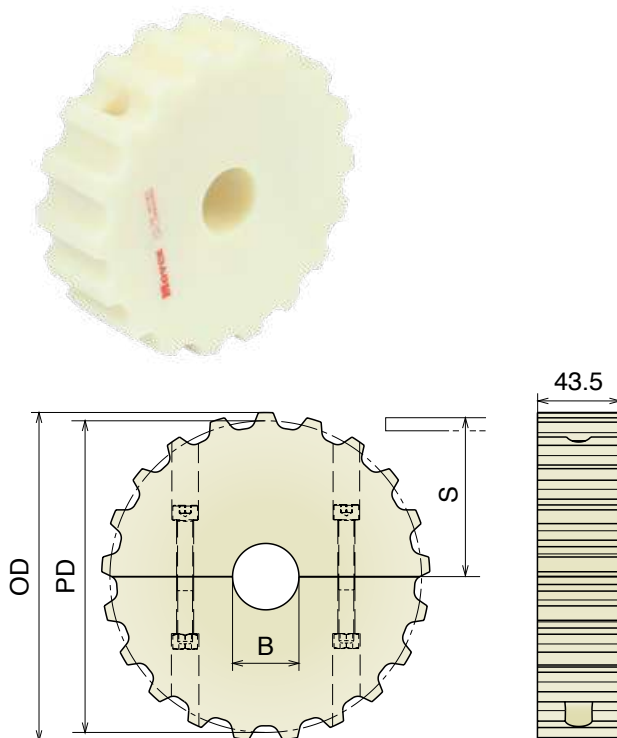
### Split drive sprocket, machined / geteiltes Antriebskettenrad gefräst

Delivery: **Easy** Standard

| Part | Article-Nr. | Z  | Bore | PD    | OD    | S     |
|------|-------------|----|------|-------|-------|-------|
| 557  | 55701       | 13 | 25   | 108,0 | 106,1 | 57,2  |
| 557  | 55702       |    | 30   |       |       |       |
| 557  | 55703       |    | 35   |       |       |       |
| 557  | 55704       |    | 40   |       |       |       |
| 558  | 55801       | 15 | 25   | 124,0 | 122,2 | 65,2  |
| 558  | 55802       |    | 30   |       |       |       |
| 558  | 55803       |    | 35   |       |       |       |
| 558  | 55804       |    | 40   |       |       |       |
| 559  | 55901       | 17 | 25   | 138,2 | 138,2 | 72,3  |
| 559  | 55902       |    | 30   |       |       |       |
| 559  | 55903       |    | 35   |       |       |       |
| 559  | 55904       |    | 40   |       |       |       |
| 560  | 56001       | 18 | 25   | 146,3 | 146,4 | 76,4  |
| 560  | 56002       |    | 30   |       |       |       |
| 560  | 56003       |    | 35   |       |       |       |
| 560  | 56004       |    | 40   |       |       |       |
| 561  | 56101       | 19 | 25   | 154,3 | 155,7 | 80,4  |
| 561  | 56102       |    | 30   |       |       |       |
| 561  | 56103       |    | 35   |       |       |       |
| 561  | 56104       |    | 40   |       |       |       |
| 562  | 56201       | 21 | 25   | 170,4 | 173,0 | 88,4  |
| 562  | 56202       |    | 30   |       |       |       |
| 562  | 56203       |    | 35   |       |       |       |
| 562  | 56204       |    | 40   |       |       |       |
| 563  | 56301       | 23 | 25   | 186,5 | 190,0 | 96,5  |
| 563  | 56302       |    | 30   |       |       |       |
| 563  | 56303       |    | 35   |       |       |       |
| 563  | 56304       |    | 40   |       |       |       |
| 564  | 56401       | 25 | 25   | 202,7 | 204,0 | 104,6 |
| 564  | 56402       |    | 30   |       |       |       |
| 564  | 56403       |    | 35   |       |       |       |
| 564  | 56404       |    | 40   |       |       |       |

## Ruota rinvio divisa, fresata

### Split idler sprocket, machined / geteiltes Umlenrad, gefräst



| Part | Article-Nr. | Z  | Bore | PD    | OD    | S     |
|------|-------------|----|------|-------|-------|-------|
| 557  | 55750       | 13 | 18*  | 108,0 | 106,1 | 57,2  |
| 557  | 55751       |    | 25   |       |       |       |
| 557  | 55752       |    | 30   |       |       |       |
| 557  | 55753       |    | 35   |       |       |       |
| 557  | 55754       |    | 40   |       |       |       |
| 558  | 55850       | 15 | 18*  | 124,0 | 122,2 | 65,2  |
| 558  | 55851       |    | 25   |       |       |       |
| 558  | 55852       |    | 30   |       |       |       |
| 558  | 55853       |    | 35   |       |       |       |
| 558  | 55854       |    | 40   |       |       |       |
| 559  | 55950       | 17 | 18*  | 138,2 | 138,2 | 72,3  |
| 559  | 55951       |    | 25   |       |       |       |
| 559  | 55952       |    | 30   |       |       |       |
| 559  | 55953       |    | 35   |       |       |       |
| 559  | 55954       |    | 40   |       |       |       |
| 560  | 56050       | 18 | 18*  | 146,3 | 146,4 | 76,4  |
| 560  | 56051       |    | 25   |       |       |       |
| 560  | 56052       |    | 30   |       |       |       |
| 560  | 56053       |    | 35   |       |       |       |
| 560  | 56054       |    | 40   |       |       |       |
| 561  | 56150       | 19 | 18*  | 154,3 | 155,7 | 80,4  |
| 561  | 56151       |    | 25   |       |       |       |
| 561  | 56152       |    | 30   |       |       |       |
| 561  | 56153       |    | 35   |       |       |       |
| 561  | 56154       |    | 40   |       |       |       |
| 562  | 56250       | 21 | 18*  | 170,4 | 173,0 | 88,4  |
| 562  | 56251       |    | 25   |       |       |       |
| 562  | 56252       |    | 30   |       |       |       |
| 562  | 56253       |    | 35   |       |       |       |
| 562  | 56254       |    | 40   |       |       |       |
| 563  | 56350       | 23 | 18*  | 186,5 | 190,0 | 96,5  |
| 563  | 56351       |    | 25   |       |       |       |
| 563  | 56352       |    | 30   |       |       |       |
| 563  | 56353       |    | 35   |       |       |       |
| 563  | 56354       |    | 40   |       |       |       |
| 564  | 56450       | 25 | 18*  | 202,7 | 204,0 | 104,6 |
| 564  | 56451       |    | 25   |       |       |       |
| 564  | 56452       |    | 30   |       |       |       |
| 564  | 56453       |    | 35   |       |       |       |
| 564  | 56454       |    | 40   |       |       |       |

\*Plain Bore

**Materiale / Material / Materialien:**

Poliamide/Polyamide/Polyamid

Viti: Acciaio inox/Screws: Stainless steel/Schrauben: Edelstahl

Dadi: ferro zincato/Nuts: zinc plated steel/Mutter: verzinkter Stahl

**815-8157**

Ruote dentate per catene / Chain sprockets / Kettenräder für Scharnierbandketten

**815**

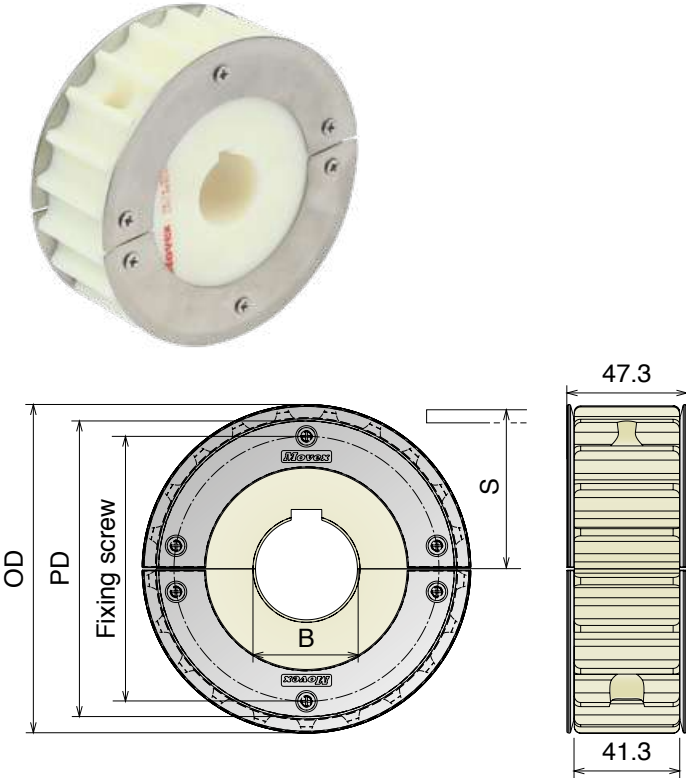
**Ruota flangiata divisa, fresata**

**Split sprocket with guides, machined / Geteiltes Kettenrad mit Bordscheibe, gefräst**

**RANGE EXTENSION**

Delivery: **Easy** **Standard** Anelli Inox / SS Guide-rings / Edelstahl Bordscheibe  
Also suitable for Series 881 M

| Part | Article-Nr. | Z- | Bore | PD    | OD    | S    | Ø screw |
|------|-------------|----|------|-------|-------|------|---------|
| 501  | 50101G      | 17 | 25   | 105,5 | 103,9 | 55,9 | 80,0    |
| 501  | 50102G      |    | 30   |       |       |      |         |
| 501  | 50103G      |    | 35   |       |       |      |         |
| 501  | 50104G      |    | 40   |       |       |      |         |
| 503  | 50301G      | 21 | 25   | 129,3 | 129,0 | 67,8 | 104,0   |
| 503  | 50302G      |    | 30   |       |       |      |         |
| 503  | 50303G      |    | 35   |       |       |      |         |
| 503  | 50304G      |    | 40   |       |       |      |         |
| 504  | 50401G      | 23 | 25   | 141,2 | 142,0 | 73,8 | 116,0   |
| 504  | 50402G      |    | 30   |       |       |      |         |
| 504  | 50403G      |    | 35   |       |       |      |         |
| 504  | 50404G      |    | 40   |       |       |      |         |
| 505  | 50501G      | 25 | 25   | 153,2 | 154,0 | 79,8 | 128,0   |
| 505  | 50502G      |    | 30   |       |       |      |         |
| 505  | 50503G      |    | 35   |       |       |      |         |
| 505  | 50504G      |    | 40   |       |       |      |         |



**8157**

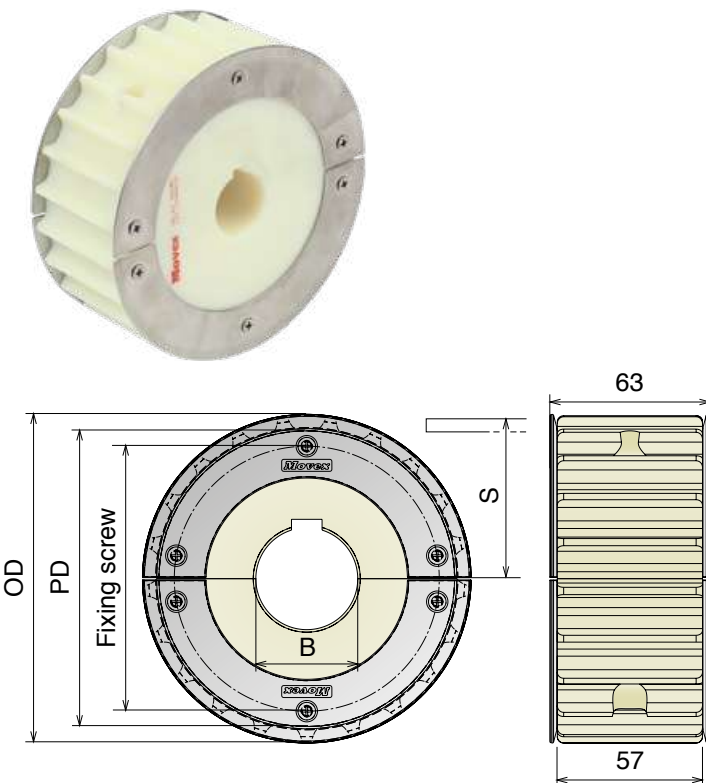
**Ruota flangiata divisa, fresata**

**Split sprocket with guides, machined / Geteiltes Kettenrad mit Bordscheibe, gefräst**

**RANGE EXTENSION**

Anelli Inox / SS Guide-rings / Edelstahl Bordscheibe

| Part | Article-Nr. | Z- | Bore | PD    | OD    | S    | Ø screw |
|------|-------------|----|------|-------|-------|------|---------|
| 528  | 52801G      | 17 | 25   | 105,5 | 103,9 | 55,9 | 80,0    |
| 528  | 52802G      |    | 30   |       |       |      |         |
| 528  | 52803G      |    | 35   |       |       |      |         |
| 528  | 52804G      |    | 40   |       |       |      |         |
| 530  | 53001G      | 21 | 25   | 129,3 | 129,0 | 67,8 | 104,0   |
| 530  | 53002G      |    | 30   |       |       |      |         |
| 530  | 53003G      |    | 35   |       |       |      |         |
| 530  | 53004G      |    | 40   |       |       |      |         |
| 531  | 53101G      | 23 | 25   | 141,2 | 142,0 | 73,8 | 116,0   |
| 531  | 53102G      |    | 30   |       |       |      |         |
| 531  | 53103G      |    | 35   |       |       |      |         |
| 531  | 53104G      |    | 40   |       |       |      |         |
| 532  | 53201G      | 25 | 25   | 153,2 | 154,0 | 79,8 | 128,0   |
| 532  | 53202G      |    | 30   |       |       |      |         |
| 532  | 53203G      |    | 35   |       |       |      |         |
| 532  | 53204G      |    | 40   |       |       |      |         |



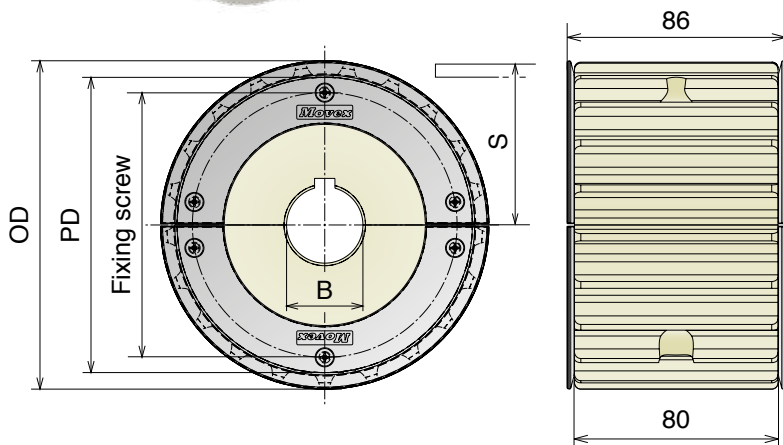
## 805

Ruota flangiata divisa, fresata

Split sprocket with guides, machined / Geteiltes Kettenrad mit Bordscheibe, gefräst

RANGE EXTENSION

Delivery: **Easy** **Standard** Anelli Inox / SS Guide-rings / Edelstahl Bordscheibe



| Part | Article-Nr. | Z- | Bore | PD    | OD    | S    | Ø screw |
|------|-------------|----|------|-------|-------|------|---------|
| 521  | 52101G      | 17 | 25   | 105,5 | 103,9 | 55,9 | 80,0    |
| 521  | 52102G      |    | 30   |       |       |      |         |
| 521  | 52103G      |    | 35   |       |       |      |         |
| 521  | 52104G      |    | 40   |       |       |      |         |
| 523  | 52301G      | 21 | 25   | 129,3 | 129,0 | 67,8 | 104,0   |
| 523  | 52302G      |    | 30   |       |       |      |         |
| 523  | 52303G      |    | 35   |       |       |      |         |
| 523  | 52304G      |    | 40   |       |       |      |         |
| 524  | 52401G      | 23 | 25   | 141,2 | 142,0 | 73,8 | 116,0   |
| 524  | 52402G      |    | 30   |       |       |      |         |
| 524  | 52403G      |    | 35   |       |       |      |         |
| 524  | 52404G      |    | 40   |       |       |      |         |
| 525  | 52501G      | 25 | 25   | 153,2 | 154,0 | 79,8 | 128,0   |
| 525  | 52502G      |    | 30   |       |       |      |         |
| 525  | 52503G      |    | 35   |       |       |      |         |
| 525  | 52504G      |    | 40   |       |       |      |         |

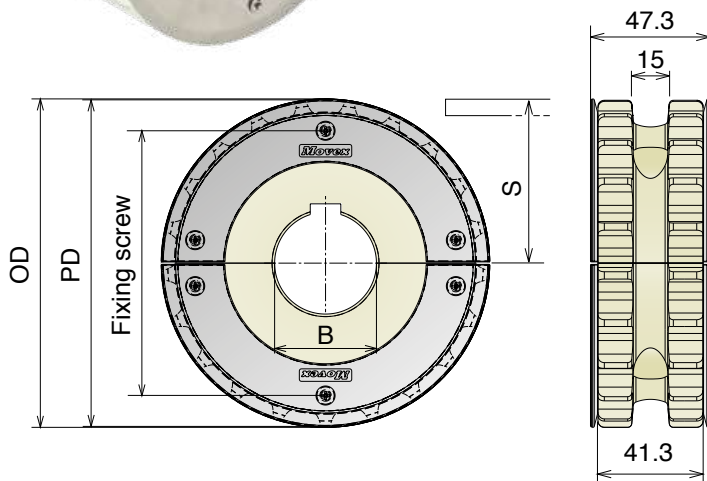
## 820

Ruota flangiata divisa, fresata

Split sprocket with guides, machined / Geteiltes Kettenrad mit Bordscheibe, gefräst

RANGE EXTENSION

Anelli Inox / SS Guide-rings / Edelstahl Bordscheibe



| Part | Article-Nr. | Z- | Bore | PD    | OD    | S    | Ø screw |
|------|-------------|----|------|-------|-------|------|---------|
| 535  | 53501G      | 17 | 25   | 105,5 | 103,9 | 55,9 | 80,0    |
| 535  | 53502G      |    | 30   |       |       |      |         |
| 535  | 53503G      |    | 35   |       |       |      |         |
| 535  | 53504G      |    | 40   |       |       |      |         |
| 537  | 53701G      | 21 | 25   | 129,3 | 129,0 | 67,8 | 104,0   |
| 537  | 53702G      |    | 30   |       |       |      |         |
| 537  | 53703G      |    | 35   |       |       |      |         |
| 537  | 53704G      |    | 40   |       |       |      |         |
| 538  | 53801G      | 23 | 25   | 141,2 | 142,0 | 73,8 | 116,0   |
| 538  | 53802G      |    | 30   |       |       |      |         |
| 538  | 53803G      |    | 35   |       |       |      |         |
| 538  | 53804G      |    | 40   |       |       |      |         |
| 539  | 53901G      | 25 | 25   | 153,2 | 154,0 | 79,8 | 128,0   |
| 539  | 53902G      |    | 30   |       |       |      |         |
| 539  | 53903G      |    | 35   |       |       |      |         |
| 539  | 53904G      |    | 40   |       |       |      |         |

**Materiale / Material / Materialien:**

Poliamide/Polyamide/Polyamid

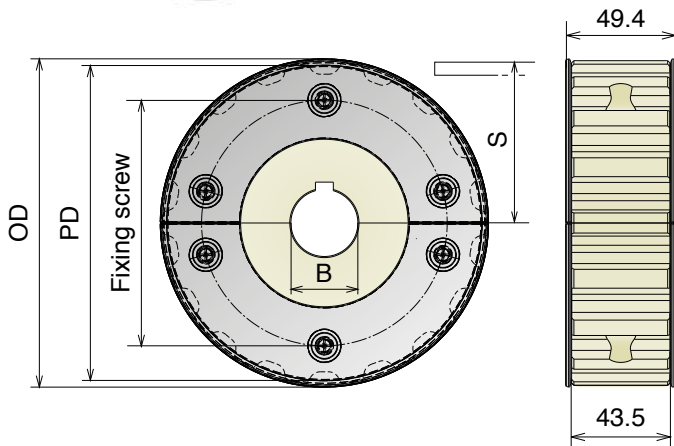
Viti: Acciaio inox/Screws: Stainless steel/Schrauben: Edelstahl

Dadi: ferro zincato/Nuts: zinc plated steel/Mutter: verzinkter Stahl

**512****Ruota flangiata divisa, fresata****Split sprocket with guides, machined / Geteiltes Kettenrad mit Bordscheibe, gefräst**

Anelli Inox / SS Guide-rings / Edelstahl Bordscheibe

| Part | Article-Nr.   | Z- | Bore | PD    | OD    | S    | Ø screw |
|------|---------------|----|------|-------|-------|------|---------|
| 576  | <b>57601G</b> | 18 | 25   | 146,3 | 147,0 | 76,4 | 110,0   |
| 576  | <b>57602G</b> |    | 30   |       |       |      |         |
| 576  | <b>57603G</b> |    | 35   |       |       |      |         |
| 576  | <b>57604G</b> |    | 40   |       |       |      |         |

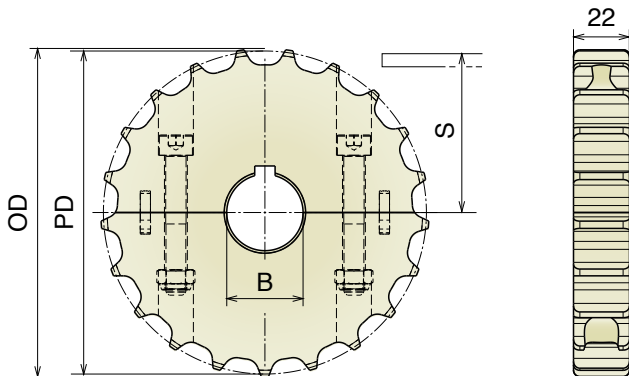


## 815 MINI

Ruota traino divisa, fresata

Split drive sprocket, machined / geteiltes Antriebskettenrad gefräst

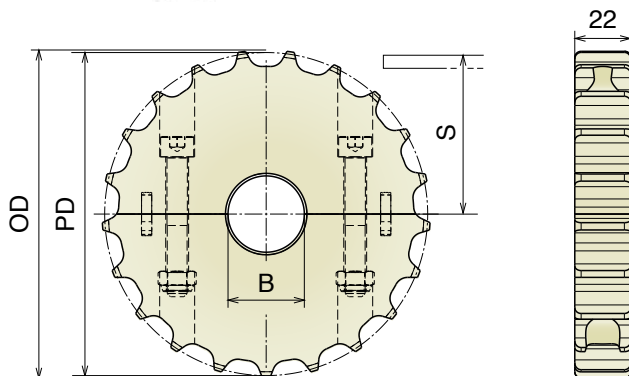
Delivery: **Easy** Standard



| Part | Article-Nr. | Z  | Bore | PD    | OD    | S    |
|------|-------------|----|------|-------|-------|------|
| 580  | 58001       | 19 | 25   | 117,3 | 117,0 | 61,9 |
| 580  | 58002       |    | 30   |       |       |      |
| 580  | 58003       |    | 35   |       |       |      |
| 580  | 58004       |    | 40   |       |       |      |
| 581  | 58101       | 21 | 25   | 129,3 | 129,0 | 67,8 |
| 581  | 58102       |    | 30   |       |       |      |
| 581  | 58103       |    | 35   |       |       |      |
| 581  | 58104       |    | 40   |       |       |      |
| 582  | 58201       | 23 | 25   | 141,2 | 142,0 | 73,8 |
| 582  | 58202       |    | 30   |       |       |      |
| 582  | 58203       |    | 35   |       |       |      |
| 582  | 58204       |    | 40   |       |       |      |
| 583  | 58301       | 25 | 25   | 153,2 | 154,0 | 79,8 |
| 583  | 58302       |    | 30   |       |       |      |
| 583  | 58303       |    | 35   |       |       |      |
| 583  | 58304       |    | 40   |       |       |      |

Ruota rinvio divisa, fresata

Split idler sprocket, machined / geteiltes Umlenrad, gefräst



| Part | Article-Nr. | Z  | Bore | PD    | OD    | S    |
|------|-------------|----|------|-------|-------|------|
| 580  | 58050       | 19 | 18*  | 117,3 | 117,0 | 61,9 |
| 580  | 58051       |    | 25   |       |       |      |
| 580  | 58052       |    | 30   |       |       |      |
| 580  | 58053       |    | 35   |       |       |      |
| 580  | 58054       |    | 40   |       |       |      |
| 581  | 58150       | 21 | 18*  | 129,3 | 129,0 | 67,8 |
| 581  | 58151       |    | 25   |       |       |      |
| 581  | 58152       |    | 30   |       |       |      |
| 581  | 58153       |    | 35   |       |       |      |
| 581  | 58154       |    | 40   |       |       |      |
| 582  | 58250       | 23 | 18*  | 141,2 | 142,0 | 73,8 |
| 582  | 58251       |    | 25   |       |       |      |
| 582  | 58252       |    | 30   |       |       |      |
| 582  | 58253       |    | 35   |       |       |      |
| 582  | 58254       |    | 40   |       |       |      |
| 583  | 58350       | 25 | 18*  | 153,2 | 154,0 | 79,8 |
| 583  | 58351       |    | 25   |       |       |      |
| 583  | 58352       |    | 30   |       |       |      |
| 583  | 58353       |    | 35   |       |       |      |
| 583  | 58354       |    | 40   |       |       |      |

\*Plain Bore



**Materiale / Material / Materialien:**

Poliamide/Polyamide/Polyamid

Viti: Acciaio inox/Screws: Stainless steel/Schrauben: Edelstahl

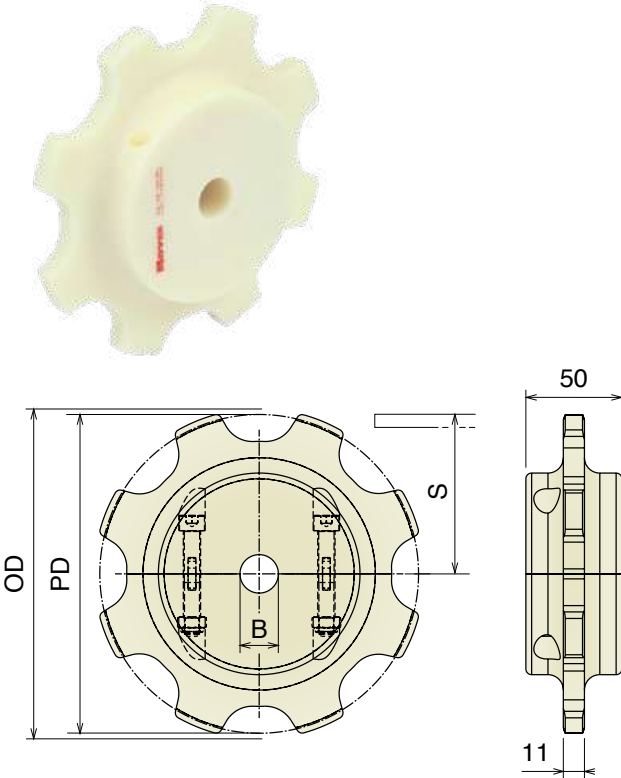
Dadi: ferro zincato/Nuts: zinc plated steel/Mutter: verzinkter Stahl

## CC 600 Ruota rinvio divisa, fresata Split idler sprocket, machined / geteiltes Umlenkrad, gefräst

For adequate quantities these sprockets can be delivered with finished bore.

| Part | Article-Nr. | Z- | Bore | PD    | OD    | S     |
|------|-------------|----|------|-------|-------|-------|
| 565  | 56550       | 8  | 20   | 166,0 | 172,0 | 70,0  |
| 566  | 56650       | 10 | 20   | 205,0 | 215,0 | 89,5  |
| 567  | 56750       | 12 | 20   | 246,0 | 256,0 | 110,0 |
| 568  | 56850       | 14 | 20   | 286,0 | 297,0 | 130,0 |

Other bores available on request

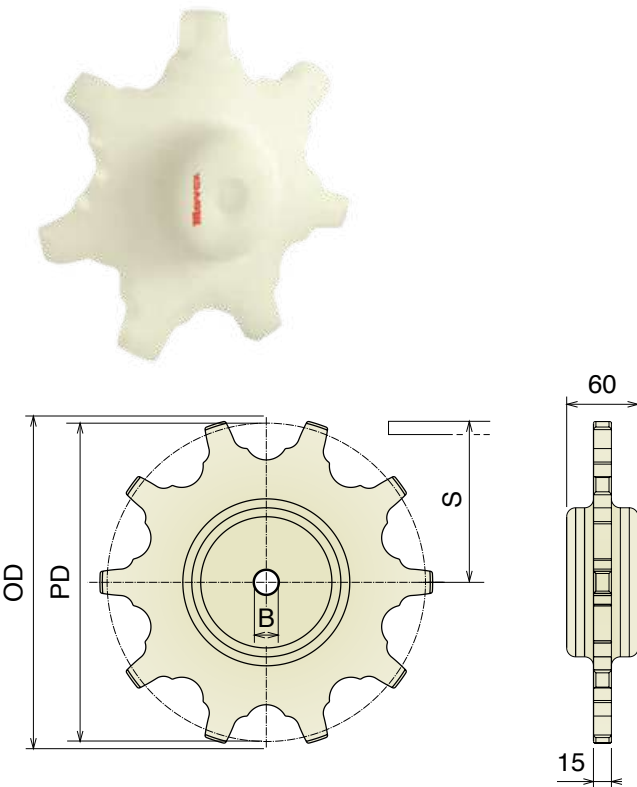


## CC 1400 Ruota rinvio, fresata Idler sprocket, machined / Umlenkrad, gefräst

For adequate quantities these sprockets can be delivered with finished bore.

| Part | Article-Nr. | Z- | Bore | PD    | OD    | S     |
|------|-------------|----|------|-------|-------|-------|
| 570  | 57050E      | 7  | 20   | 190,0 | 202,0 | 78,0  |
| 571  | 57150E      | 8  | 20   | 218,0 | 227,6 | 92,0  |
| 572  | 57250E      | 10 | 20   | 267,0 | 279,0 | 116,0 |

Other bores available on request



# 1701-1706-765 NO GAP

Ruote dentate per catene / Chain sprockets / Kettenräder für Scharnierbandketten

Materiali / Material / Materialien:

Poliammide/Polyamide/Polyamid

Viti: Acciaio inox/Screws: Stainless steel/Schrauben: Edelstahl

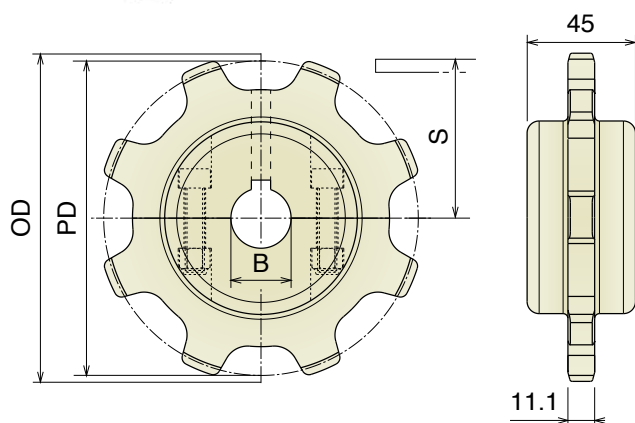
Dadi: ferro zincato/Nuts: zinc plated steel/Mutter: verzinkter Stahl

## 1701-1706-765 NO GAP

Ruota traino divisa, fresata

Split drive sprocket, machined / geteiltes Antriebskettenrad gefräst

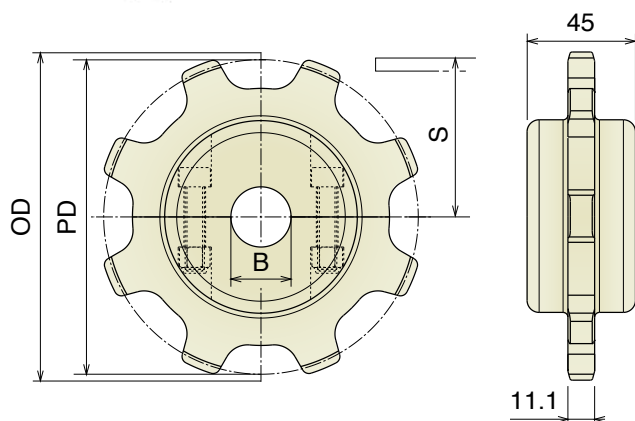
Delivery: **Easy** Standard



| Part | Article-Nr. | Z  | Bore | PD    | OD     | S    |
|------|-------------|----|------|-------|--------|------|
| 573  | 57301       | 8  | 25   | 130,7 | 132,75 | 53,0 |
| 573  | 57302       |    | 30   |       |        |      |
| 573  | 57303       |    | 35   |       |        |      |
| 573  | 57304       |    | 40   |       |        |      |
| 574  | 57401       | 10 | 25   | 161,8 | 165,1  | 69,0 |
| 574  | 57402       |    | 30   |       |        |      |
| 574  | 57403       |    | 35   |       |        |      |
| 574  | 57404       |    | 40   |       |        |      |
| 575  | 57501       | 13 | 25   | 208,9 | 215,0  | 93,5 |
| 575  | 57502       |    | 30   |       |        |      |
| 575  | 57503       |    | 35   |       |        |      |
| 575  | 57504       |    | 40   |       |        |      |

Ruota rinvio divisa, fresata

Split idler sprocket, machined / geteiltes Umlenrad, gefräst



| Part | Article-Nr. | Z  | Bore | PD    | OD     | S    |
|------|-------------|----|------|-------|--------|------|
| 573  | 57350       | 8  | 18*  | 130,7 | 132,75 | 53,0 |
| 573  | 57351       |    | 25   |       |        |      |
| 573  | 57352       |    | 30   |       |        |      |
| 573  | 57353       |    | 35   |       |        |      |
| 573  | 57354       |    | 40   |       |        |      |
| 574  | 57450       | 10 | 18*  | 161,8 | 165,1  | 69,0 |
| 574  | 57451       |    | 25   |       |        |      |
| 574  | 57452       |    | 30   |       |        |      |
| 574  | 57453       |    | 35   |       |        |      |
| 574  | 57454       |    | 40   |       |        |      |
| 575  | 57550       | 13 | 18*  | 208,9 | 215,0  | 93,5 |
| 575  | 57551       |    | 25   |       |        |      |
| 575  | 57552       |    | 30   |       |        |      |
| 575  | 57553       |    | 35   |       |        |      |
| 575  | 57554       |    | 40   |       |        |      |

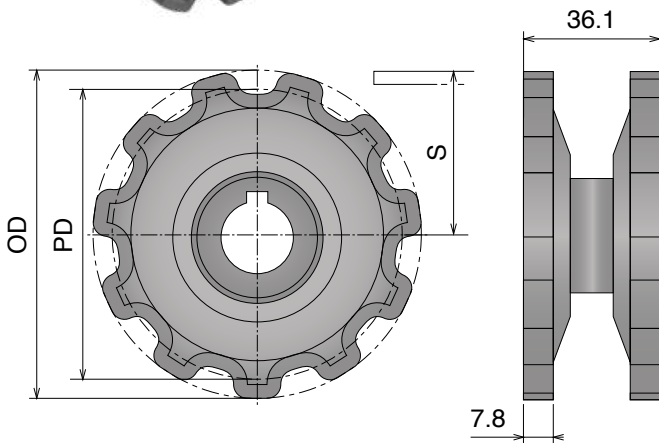
\*Plain Bore

## 43 MF-63 MF

Ruota traino, stampata  
 Drive sprocket, molded / Antriebskettenrad, gespritzt

Delivery: **Easy** Standard

| Part | Article-Nr. | Z- | Bore | PD   | OD   | S    |
|------|-------------|----|------|------|------|------|
| 586  | 58600       | 11 | 20   | 90,2 | 94,5 | 56,5 |

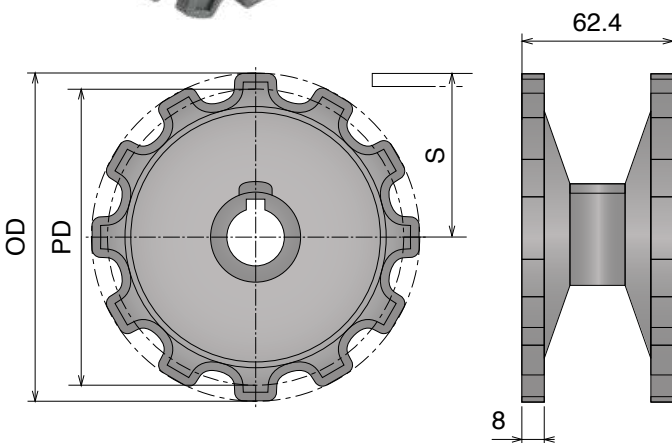


## 103 MF

Ruota traino, stampata  
 Drive sprocket, molded / Antriebskettenrad, gespritzt

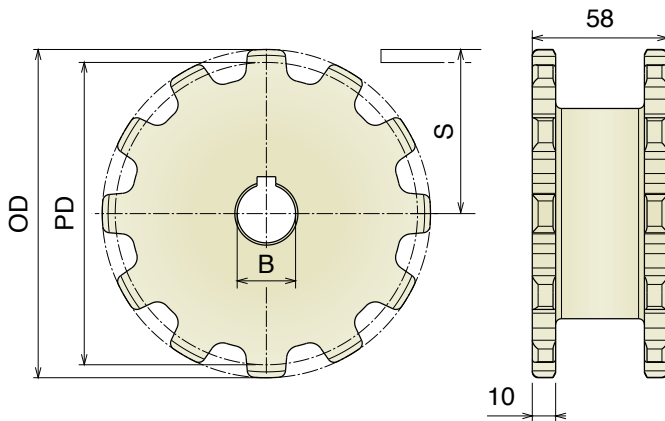
Delivery: **Easy** Standard

| Part | Article-Nr. | Z- | Bore | PD    | OD    | OD   |
|------|-------------|----|------|-------|-------|------|
| 587  | 58701       | 12 | 25   | 129,4 | 144,5 | 82,5 |



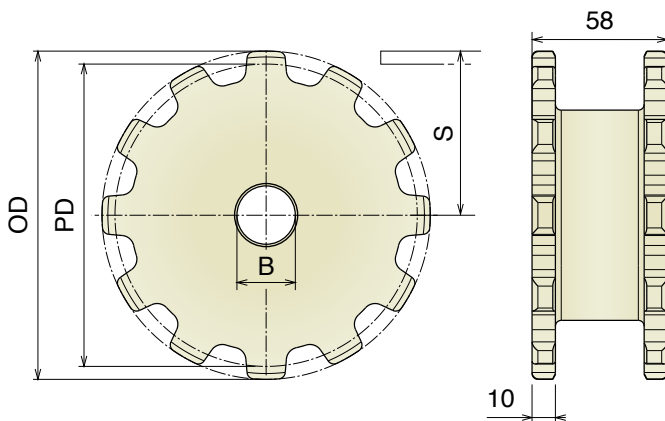
## 83 MF

Ruota traino, fresata  
Drive sprocket, machined / Antriebskettenrad gefräst



| Part | Article-Nr. | Z- | Bore | PD    | OD    | S    |
|------|-------------|----|------|-------|-------|------|
| 589  | 58901E      | 9  | 25   | 97,9  | 108,5 | 62,0 |
| 589  | 58902E      |    | 30   |       |       |      |
| 589  | 58903E      |    | 35   |       |       |      |
| 589  | 58904E      |    | 40   |       |       |      |
| 588  | 58801E      | 12 | 25   | 129,4 | 140,0 | 77,7 |
| 588  | 58802E      |    | 30   |       |       |      |
| 588  | 58803E      |    | 35   |       |       |      |
| 588  | 58804E      |    | 40   |       |       |      |

Ruota rinvio, fresata  
Idler sprocket, machined / Umlenkrad, gefräst



| Part | Article-Nr. | Z- | Bore | PD    | OD    | S    |
|------|-------------|----|------|-------|-------|------|
| 589  | 58950E      | 9  | 18*  | 97,9  | 108,5 | 62,0 |
| 589  | 58951E      |    | 25   |       |       |      |
| 589  | 58952E      |    | 30   |       |       |      |
| 589  | 58953E      |    | 35   |       |       |      |
| 589  | 58954E      |    | 40   |       |       |      |
| 588  | 58850E      | 12 | 18*  | 129,4 | 140,0 | 77,7 |
| 588  | 58851E      |    | 25   |       |       |      |
| 588  | 58852E      |    | 30   |       |       |      |
| 588  | 58853E      |    | 35   |       |       |      |
| 588  | 58854E      |    | 40   |       |       |      |

\*Plain Bore

**Materiale / Material / Materialien:**

Poliamide/Polyamide/Polyamid

Viti: Acciaio inox/Screws: Stainless steel/Schrauben: Edelstahl

Dadi: ferro zincato/Nuts: zinc plated steel/Mutter: verzinkter Stahl

# 83 M-140 M

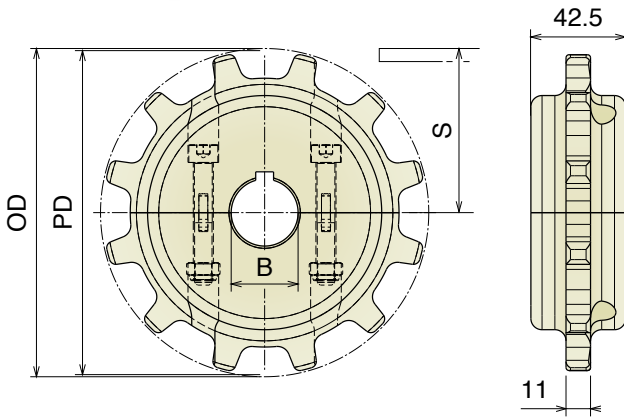
Ruote dentate per catene / Chain sprockets / Kettenräder für Scharnierbandketten

## 83 M-140 M

Ruota traino divisa, fresata

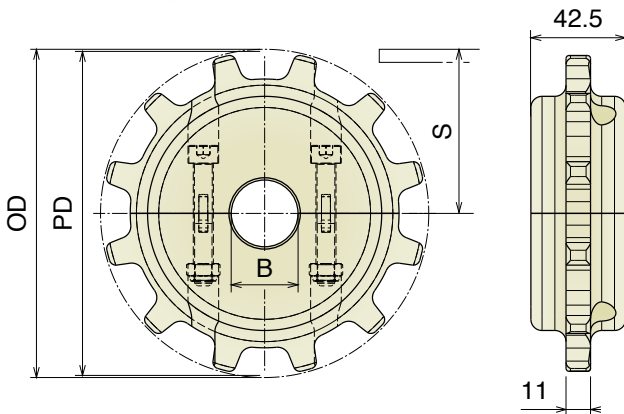
Split drive sprocket, machined / geteiltes Antriebskettenrad gefräst

| Part | Article-Nr. | Z- | Bore | PD    | OD    | S    |
|------|-------------|----|------|-------|-------|------|
| 590  | 59001       | 9  | 25   | 111,4 | 108,0 | 68,5 |
| 590  | 59002       |    | 30   |       |       |      |
| 590  | 59003       |    | 35   |       |       |      |
| 590  | 59004       |    | 40   |       |       |      |
| 591  | 59101       | 12 | 25   | 147,2 | 145,3 | 86   |
| 591  | 59102       |    | 30   |       |       |      |
| 591  | 59103       |    | 35   |       |       |      |
| 591  | 59104       |    | 40   |       |       |      |



Ruota rinvio divisa, fresata

Split idler sprocket, machined / geteiltes Umlenrad, gefräst



| Part | Article-Nr. | Z- | Bore | PD    | OD    | S    |
|------|-------------|----|------|-------|-------|------|
| 590  | 59050       | 9  | 18*  | 111,4 | 108,0 | 68,5 |
| 590  | 59051       |    | 25   |       |       |      |
| 590  | 59052       |    | 30   |       |       |      |
| 590  | 59053       |    | 35   |       |       |      |
| 590  | 59054       |    | 40   |       |       |      |
| 591  | 59150       | 12 | 18*  | 147,2 | 145,3 | 86   |
| 591  | 59151       |    | 25   |       |       |      |
| 591  | 59152       |    | 30   |       |       |      |
| 591  | 59153       |    | 35   |       |       |      |
| 591  | 59154       |    | 40   |       |       |      |

\*Plain Bore

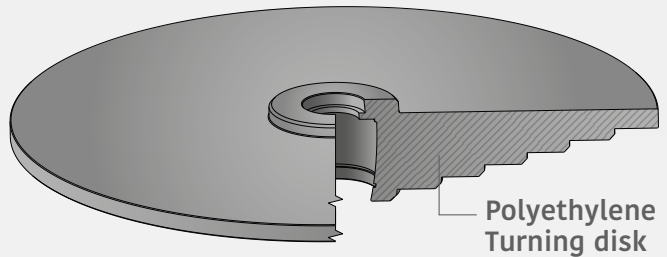
## Turning disks

**RANGE EXTENSION**

The use of drive disks, idler disks and turnings disks enables the design of the conveyor to be realized with many curves, greatly reducing the PV and guaranteeing exceeding performances compared to traditional system.

Thanks to our machined versions, superior tolerances and planarity are provided; it will then become easier to realize longer conveyors either at the same level or staggered, inclined or declined.

 — Oil seal




Polyethylene Turning disk

 — Bearing

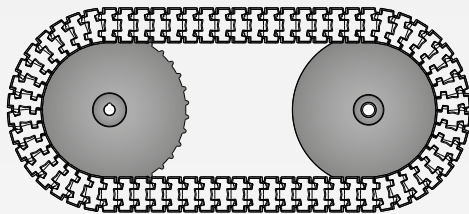
 — PVC-Spacer

 — Bearing

 — Seeger

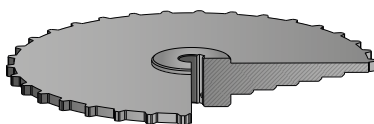
 — Oil seal

### DRIVE DISK

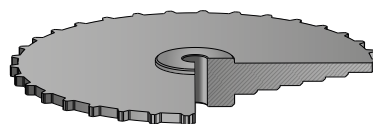


TURNING DISK

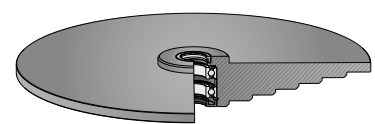
### TYPES AVAILABLE



DRIVE DISK



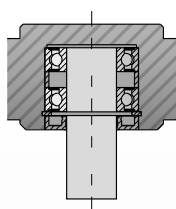
IDLER DISK



TURNING DISK

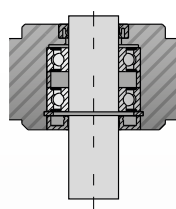
### POSSIBLE APPLICATIONS

MACHINED DISK  
OPTION A



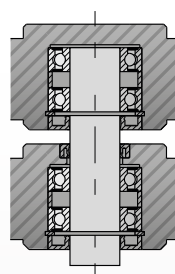
CLOSED VERSION

MACHINED DISK  
OPTION B



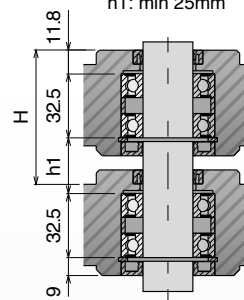
OPEN VERSION

MACHINED DISK  
OPTION C



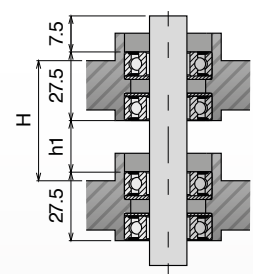
CLOSED VERSION  
+ OPEN VERSION

MACHINED DISK  
OPTION D  
h1: min 25mm



OPEN VERSION  
+ OPEN VERSION

MOLDED DISK  
OPTION A  
h1: min 25mm



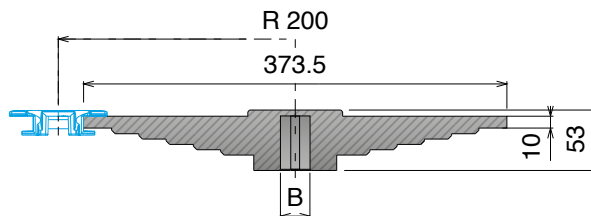
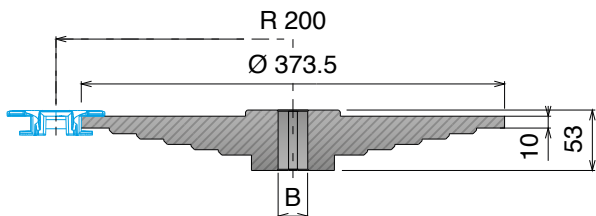
OPEN VERSION  
+ OPEN VERSION

For a correct installation of the shaft and the position of the circlips, please contact your sales representative.

## NEW 878 TAB Ruota tangenziale Tangential sprockets / Tangentiale kettenräder

Suitable for 878 TAB | Drive disk with grub screws included

### Drive disk, machined



#### OPEN VERSION



ROUNDBORE  
 WITH KEYWAY

| Article-Nr. | Z- | Bore |
|-------------|----|------|
| 59300       | 34 | 20   |
| 59301       |    | 25   |
| 59302       |    | 30   |
| 59303       |    | 35   |
| 59304       |    | 40   |

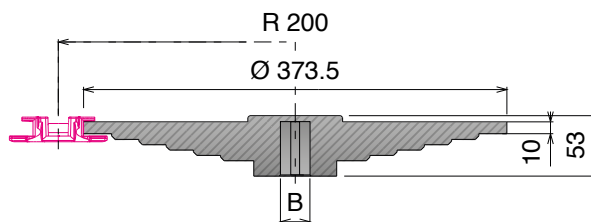
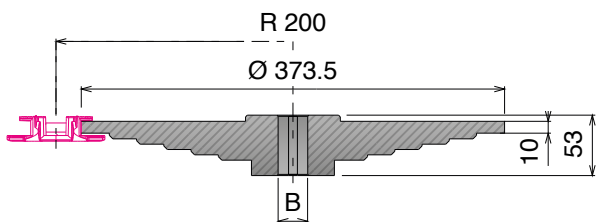
#### CLOSED VERSION



ROUNDBORE  
 WITH KEYWAY

| Article-Nr. | Z- | Bore |
|-------------|----|------|
| 59300C      | 34 | 20   |
| 59301C      |    | 25   |
| 59302C      |    | 30   |
| 59303C      |    | 35   |
| 59304C      |    | 40   |

### Idler disk, machined



#### OPEN VERSION



ROUNDBORE

| Article-Nr. | Z- | Bore |
|-------------|----|------|
| 59361       | 34 | 20   |
| 59362       |    | 25   |
| 59363       |    | 30   |
| 59364       |    | 35   |
| 59365       |    | 40   |

#### CLOSED VERSION



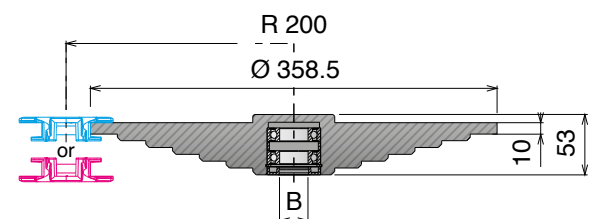
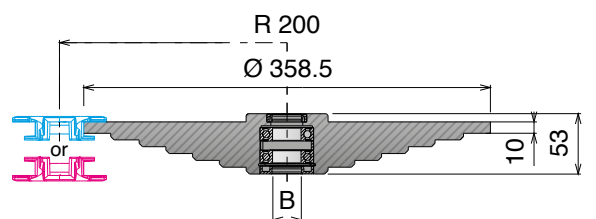
ROUNDBORE

| Article-Nr. | Z- | Bore |
|-------------|----|------|
| 59371C      | 34 | 20   |
| 59372C      |    | 25   |
| 59373C      |    | 30   |
| 59374C      |    | 35   |
| 59375C      |    | 40   |

## NEW 878 TAB Disco di ritorno Turning disk / Umlenkscheibe

Suitable for 878 TAB | Bearings and oils seal included

### Turning disk, machined - Carry and return side



OPEN VERSION  
 ROUNDBORE

| Article-Nr. | Bore |
|-------------|------|
| 593510      | 25   |



CLOSED VERSION  
 ROUNDBORE

| Article-Nr. | Bore |
|-------------|------|
| 59351C      | 25   |

# Turning disks

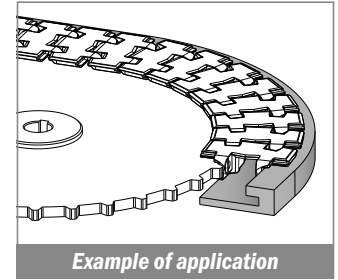
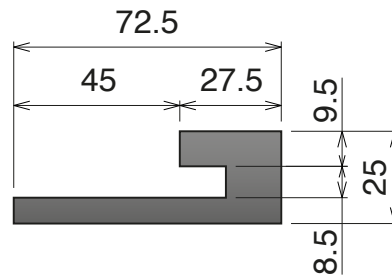
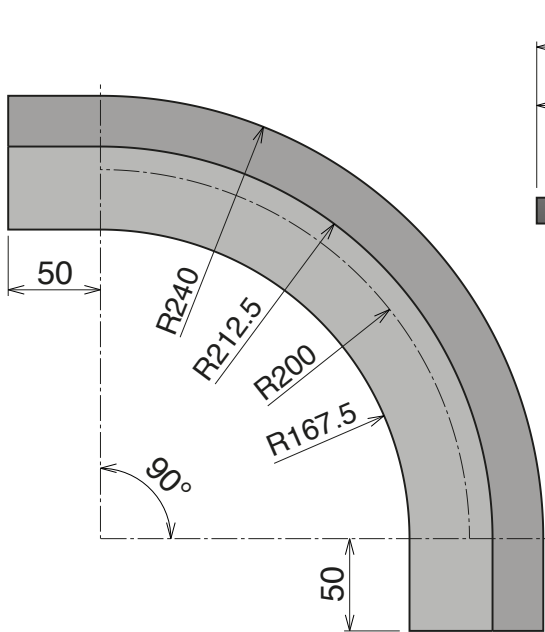
Disco di ritorno / Turning disk / Umlenkscheibe

Materiale / Material / Materialien:  
 Polietilene UHMW-PE  
 Polyethylene UHMW-PE  
 Polyäthylen UHMW-PE

## NEW 878 TAB Curves

Specific for drive, idler and turning disk applications

Chain Reference 878 TAB - K325/K450



Example of application

### TAB SYSTEM

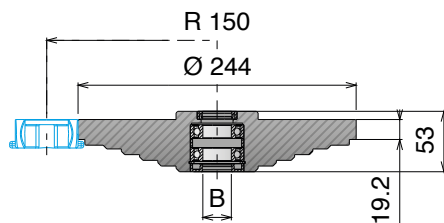
| Part        | $\alpha$ 90° | $\alpha$ 180° | Tracks | W    |
|-------------|--------------|---------------|--------|------|
| <b>K325</b> |              |               |        |      |
| 764         | 76411072     | 76421072      | 1      | 72,5 |
| <b>K450</b> |              |               |        |      |
| 764         | 76411087     | 76421087      | 1      | 87,5 |

## NEW 1701 TAB OP-1701 TAB OPF

Disco di ritorno  
 Turning disk / Umlenkscheibe

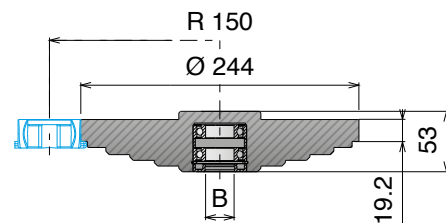
Suitable for 1701 TAB OP - 1701 TAB OPF | Bearings and oils seal included

Turning disk, machined - Carry side



**OPEN VERSION**  
 ROUND BORE

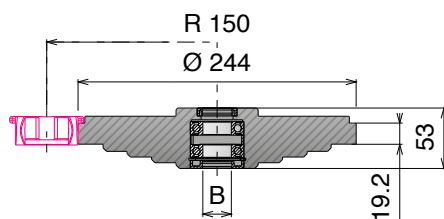
| Article-Nr. | Bore |
|-------------|------|
| 594010      | 25   |



**CLOSED VERSION**  
 ROUND BORE

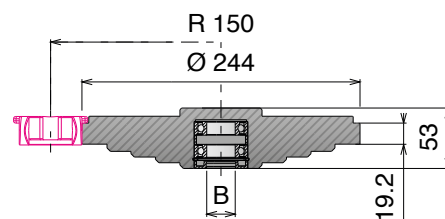
| Article-Nr. | Bore |
|-------------|------|
| 59401C      | 25   |

Turning disk, machined - Return side



**OPEN VERSION**  
 ROUND BORE

| Article-Nr. | Bore |
|-------------|------|
| 594210      | 25   |



**CLOSED VERSION**  
 ROUND BORE

| Article-Nr. | Bore |
|-------------|------|
| 59421C      | 25   |



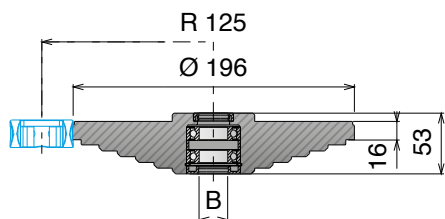
**Materiale / Material / Materialien:**  
 Polietilene UHMW-PE  
 Polyethylene UHMW-PE  
 Polyäthylen UHMW-PE

## NEW 1706-1706 TAB-765 NO GAP

Disco di ritorno  
 Turning disk / Umlenkscheibe

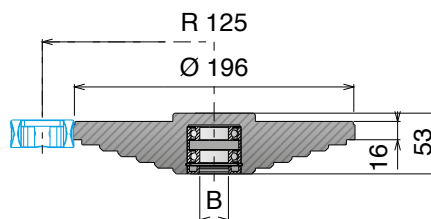
Suitable for 1706 - 1706 TAB - 765 NO GAP | Bearings and oils seal included

### Turning disk, machined - Carry side



**OPEN VERSION**  
 ROUND BORE

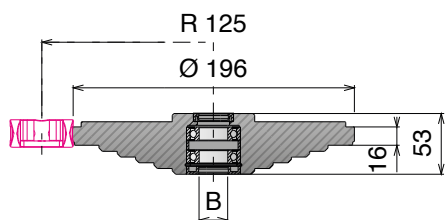
| Article-Nr. | Bore |
|-------------|------|
| 595010      | 25   |



**CLOSED VERSION**  
 ROUND BORE

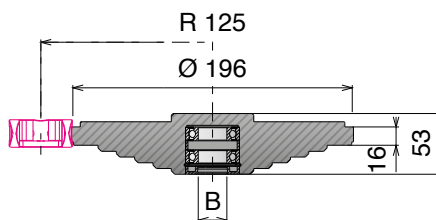
| Article-Nr. | Bore |
|-------------|------|
| 59501C      | 25   |

### Turning disk, machined - Return side



**OPEN VERSION**  
 ROUND BORE

| Article-Nr. | Bore |
|-------------|------|
| 595210      | 25   |



**CLOSED VERSION**  
 ROUND BORE

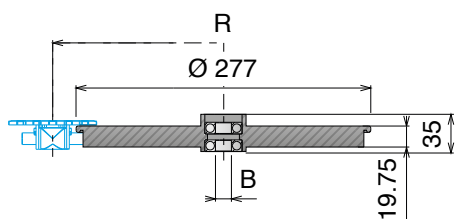
| Article-Nr. | Bore |
|-------------|------|
| 59521C      | 25   |

## NEW 43 MF-63 MF-83 MF-103 MF

Disco di ritorno  
 Turning disk / Umlenkscheibe

Suitable for 43 MF - 63 MF - 83 MF - 103 MF | Bearings included

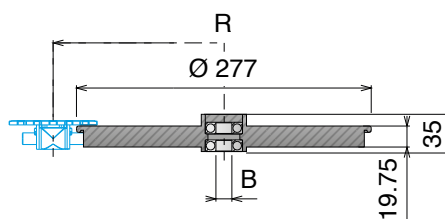
### Drive turning disk, molded - Carry side



**OPEN VERSION**  
 ROUND BORE

| Article-Nr. | Bore |
|-------------|------|
| 170000      | 15   |

R: 43 MF-63 MF 150 83 MF 160 103 MF 170



**CLOSED VERSION**  
 ROUND BORE

| Article-Nr. | Bore |
|-------------|------|
| 170000C     | 15   |

R: 43 MF-63 MF 150 83 MF 160 103 MF 170

# Turning disks

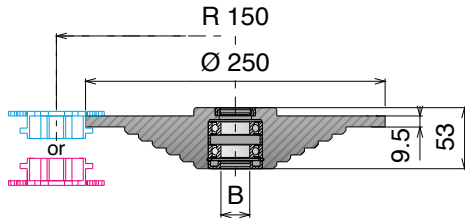
Disco di ritorno / Turning disk / Umlenkscheibe

Materiale / Material / Materialien:  
 Polietilene UHMW-PE  
 Polyethylene UHMW-PE  
 Polyäthylen UHMW-PE

## NEW 83 M Disco di ritorno Turning disk / Umlenkscheibe

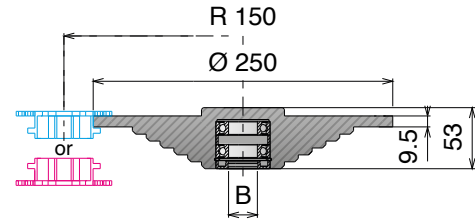
Suitable for 83 M | Bearing and screws included

### Turning disk, machined - Carry and return side



**OPEN VERSION**  
 ROUND BORE

| Article-Nr. | Bore |
|-------------|------|
| 596010      | 25   |



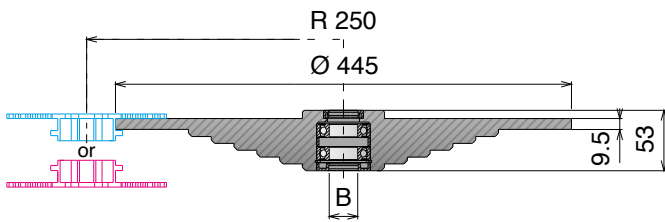
**CLOSED VERSION**  
 ROUND BORE

| Article-Nr. | Bore |
|-------------|------|
| 59601C      | 25   |

## NEW 140 M Disco di ritorno Turning disk / Umlenkscheibe

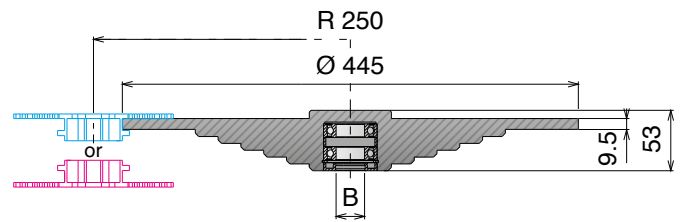
Suitable for 140 M | Bearing and screws included

### Turning disk, machined - Carry and return side



**OPEN VERSION**  
 ROUND BORE

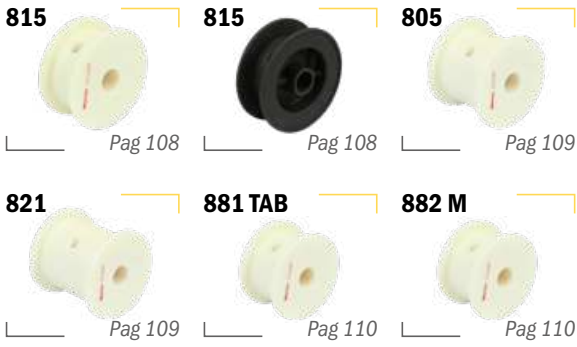
| Article-Nr. | Bore |
|-------------|------|
| 596210      | 25   |



**CLOSED VERSION**  
 ROUND BORE

| Article-Nr. | Bore |
|-------------|------|
| 59621C      | 25   |

For bore tolerance refers to Movex engineering manual available on our website.



## Chain idler wheels

Material Info:



pg. 666

**Materiale / Material / Materialien:**

Poliammide/Polyamide/Polyamid

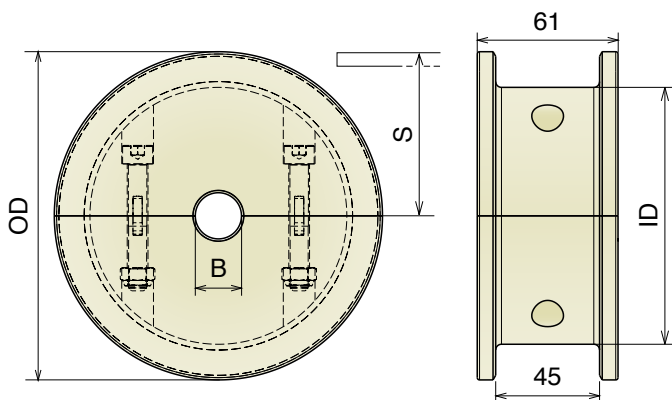
Viti: Acciaio inox/Screws: Stainless steel/Schrauben: Edelstahl

Dadi: ferro zincato/Nuts: zinc plated steel/Mutter: verzinkter Stahl

Dadi: ottone nichelato per stampate/Nuts: nickel plated brass for molded/Mutter: Messing vernickelt für gespritzt Version

## 815 Ruota rinvio liscia, divisa, fresata Split idler wheel, machined / geteilte Umlenkrolle, gefräst

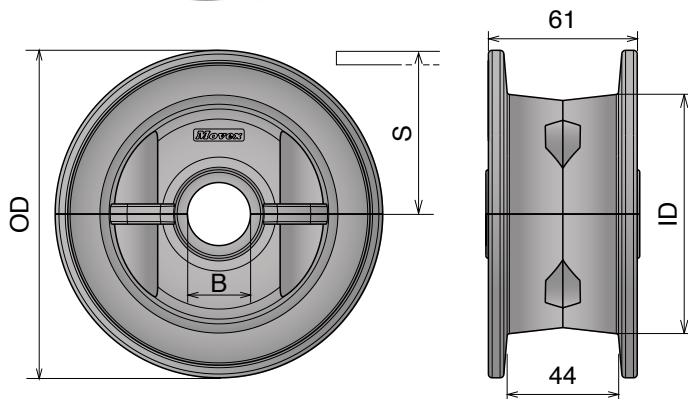
Delivery: **Easy** **Standard** Also suitable for Series 881 M - 820 - 831 - 828 - 879 M - 880 - 880 M



| Part | Article-Nr. | ecq. Z. | Bore | OD    | ID    | S    |
|------|-------------|---------|------|-------|-------|------|
| 601  | 60100       | 17      | 20   | 104,0 | 75,2  | 56,2 |
| 601  | 60101       |         | 25   |       |       |      |
| 601  | 60102       |         | 30   |       |       |      |
| 601  | 60103       |         | 35   |       |       |      |
| 601  | 60104       |         | 40   |       |       |      |
| 602  | 60200       | 19      | 20   | 117,0 | 92,2  | 62,6 |
| 602  | 60201       |         | 25   |       |       |      |
| 602  | 60202       |         | 30   |       |       |      |
| 602  | 60203       |         | 35   |       |       |      |
| 602  | 60204       |         | 40   |       |       |      |
| 603  | 60300       | 21      | 20   | 129,8 | 105,0 | 68,6 |
| 603  | 60301       |         | 25   |       |       |      |
| 603  | 60302       |         | 30   |       |       |      |
| 603  | 60303       |         | 35   |       |       |      |
| 603  | 60304       |         | 40   |       |       |      |
| 604  | 60400       | 23      | 20   | 142,2 | 111,3 | 74,6 |
| 604  | 60401       |         | 25   |       |       |      |
| 604  | 60402       |         | 30   |       |       |      |
| 604  | 60403       |         | 35   |       |       |      |
| 604  | 60404       |         | 40   |       |       |      |
| 605  | 60500       | 25      | 20   | 154,7 | 124,7 | 80,5 |
| 605  | 60501       |         | 25   |       |       |      |
| 605  | 60502       |         | 30   |       |       |      |
| 605  | 60503       |         | 35   |       |       |      |
| 605  | 60504       |         | 40   |       |       |      |
| 606  | 60600       | 27      | 20   | 167,2 | 135,0 | 88,5 |
| 606  | 60601       |         | 25   |       |       |      |
| 606  | 60602       |         | 30   |       |       |      |
| 606  | 60603       |         | 35   |       |       |      |
| 606  | 60604       |         | 40   |       |       |      |
| 607  | 60700       | 29      | 20   | 179,3 | 140,0 | 92,8 |
| 607  | 60701       |         | 25   |       |       |      |
| 607  | 60702       |         | 30   |       |       |      |
| 607  | 60703       |         | 35   |       |       |      |
| 607  | 60704       |         | 40   |       |       |      |

## 815 Ruota rinvio liscia, divisa, stampata Split idler wheel, molded / geteilte Umlenkrolle, gespritzt

Delivery: **Easy** **Standard** Also suitable for Series 881 M - 820 - 831 - 828 - 879 M - 880 - 880 M



| Part | Article-Nr. | ecq. Z. | Bore | OD    | ID    | S    |
|------|-------------|---------|------|-------|-------|------|
| 608  | 60801       | 21      | 25   | 129,8 | 94,8  | 68,6 |
| 608  | 60802       |         | 30   |       |       |      |
| 608  | 60803       |         | 35   |       |       |      |
| 608  | 60804       |         | 40   |       |       |      |
| 609  | 60901       | 23      | 25   | 142,2 | 99,3  | 74,6 |
| 609  | 60902       |         | 30   |       |       |      |
| 609  | 60903       |         | 35   |       |       |      |
| 609  | 60904       |         | 40   |       |       |      |
| 610  | 61001       | 25      | 25   | 154,7 | 102,0 | 80,5 |
| 610  | 61002       |         | 30   |       |       |      |
| 610  | 61003       |         | 35   |       |       |      |
| 610  | 61004       |         | 40   |       |       |      |

**Materiale / Material / Materialien:**

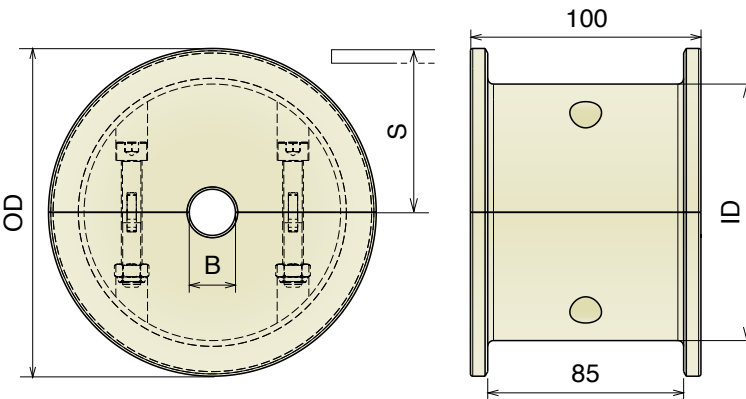
Poliamide/Polyamide/Polyamid

Viti: Acciaio inox/Screws: Stainless steel/Schrauben: Edelstahl

Dadi: ferro zincato/Nuts: zinc plated steel/Mutter: verzinkter Stahl

## 805 Ruota rinvio liscia, divisa, fresata Split idler wheel, machined / geteilte Umlenkrolle, gefräst

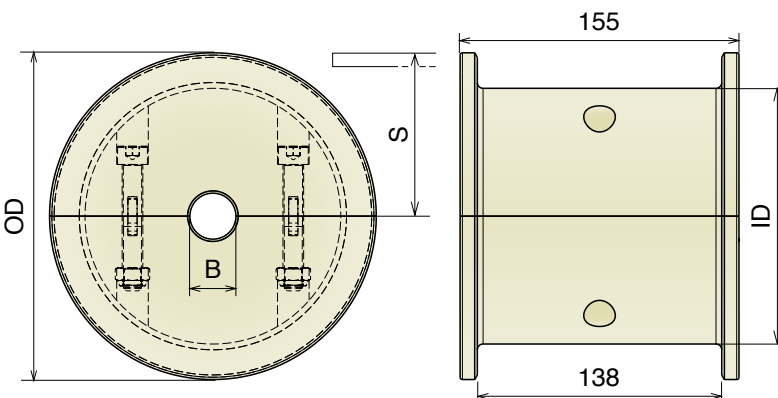
Delivery: **Easy** Standard



| Part | Article-Nr. | ecq. Z. | Bore | OD    | ID    | S    |
|------|-------------|---------|------|-------|-------|------|
| 611  | 61100       | 17      | 20   | 104,0 | 75,2  | 56,2 |
| 611  | 61101       |         | 25   |       |       |      |
| 611  | 61102       |         | 30   |       |       |      |
| 611  | 61103       |         | 35   |       |       |      |
| 611  | 61104       |         | 40   |       |       |      |
| 612  | 61200       | 19      | 20   | 117,0 | 92,2  | 62,6 |
| 612  | 61201       |         | 25   |       |       |      |
| 612  | 61202       |         | 30   |       |       |      |
| 612  | 61203       |         | 35   |       |       |      |
| 612  | 61204       |         | 40   |       |       |      |
| 613  | 61300       | 21      | 20   | 129,8 | 105,0 | 68,6 |
| 613  | 61301       |         | 25   |       |       |      |
| 613  | 61302       |         | 30   |       |       |      |
| 613  | 61303       |         | 35   |       |       |      |
| 613  | 61304       |         | 40   |       |       |      |
| 614  | 61400       | 23      | 20   | 142,2 | 111,3 | 74,6 |
| 614  | 61401       |         | 25   |       |       |      |
| 614  | 61402       |         | 30   |       |       |      |
| 614  | 61403       |         | 35   |       |       |      |
| 614  | 61404       |         | 40   |       |       |      |
| 615  | 61500       | 25      | 20   | 154,7 | 124,7 | 80,5 |
| 615  | 61501       |         | 25   |       |       |      |
| 615  | 61502       |         | 30   |       |       |      |
| 615  | 61503       |         | 35   |       |       |      |
| 615  | 61504       |         | 40   |       |       |      |
| 616  | 61600       | 27      | 20   | 167,2 | 135,0 | 88,5 |
| 616  | 61601       |         | 25   |       |       |      |
| 616  | 61602       |         | 30   |       |       |      |
| 616  | 61603       |         | 35   |       |       |      |
| 616  | 61604       |         | 40   |       |       |      |
| 617  | 61700       | 29      | 20   | 179,3 | 140,0 | 92,8 |
| 617  | 61701       |         | 25   |       |       |      |
| 617  | 61702       |         | 30   |       |       |      |
| 617  | 61703       |         | 35   |       |       |      |
| 617  | 61704       |         | 40   |       |       |      |

## 821 Ruota rinvio liscia, divisa, fresata Split idler wheel, machined / geteilte Umlenkrolle, gefräst

Delivery: **Easy** Standard



| Part | Article-Nr. | ecq. Z. | Bore | OD    | ID    | S    |
|------|-------------|---------|------|-------|-------|------|
| 625  | 62500       | 19      | 20   | 117,0 | 92,2  | 62,6 |
| 625  | 62501       |         | 25   |       |       |      |
| 625  | 62502       |         | 30   |       |       |      |
| 625  | 62503       |         | 35   |       |       |      |
| 625  | 62504       |         | 40   |       |       |      |
| 626  | 62600       | 21      | 20   | 129,8 | 105,0 | 68,6 |
| 626  | 62601       |         | 25   |       |       |      |
| 626  | 62602       |         | 30   |       |       |      |
| 626  | 62603       |         | 35   |       |       |      |
| 626  | 62604       |         | 40   |       |       |      |
| 627  | 62700       | 23      | 20   | 142,2 | 111,3 | 74,6 |
| 627  | 62701       |         | 25   |       |       |      |
| 627  | 62702       |         | 30   |       |       |      |
| 627  | 62703       |         | 35   |       |       |      |
| 627  | 62704       |         | 40   |       |       |      |
| 628  | 62800       | 25      | 20   | 154,7 | 124,7 | 80,5 |
| 628  | 62801       |         | 25   |       |       |      |
| 628  | 62802       |         | 30   |       |       |      |
| 628  | 62803       |         | 35   |       |       |      |
| 628  | 62804       |         | 40   |       |       |      |

# 881 TAB-882 M

Ruote folli per catene / Chain idler wheels / Umlenkrollen für Scharnierbandketten

Materiali / Material / Materialien:

Poliammide/Polyamide/Polyamid

Viti: Acciaio inox/Screws: Stainless steel/Schrauben: Edelstahl

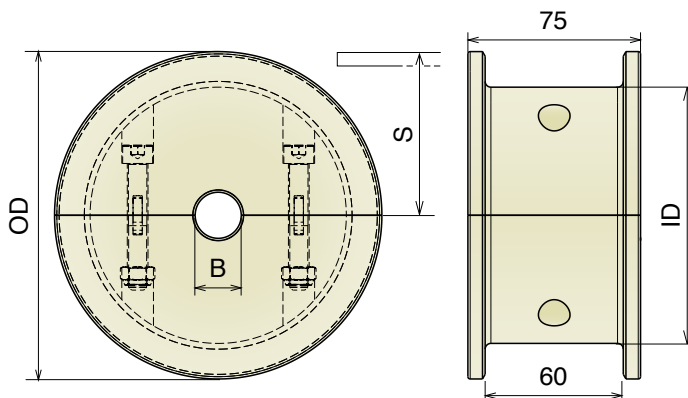
Dadi: ferro zincato/Nuts: zinc plated steel/Mutter: verzinkter Stahl

## 881 TAB

Ruota rinvio liscia, divisa, fresata

Split idler wheel, machined / geteilte Umlenkrolle, gefräst

Delivery: **Easy** **Standard**



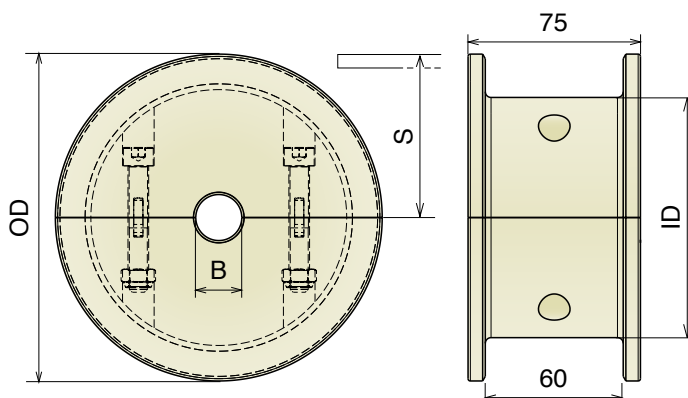
| Part | Article-Nr. | ecq. Z. | Bore | OD    | ID    | S    |
|------|-------------|---------|------|-------|-------|------|
| 618  | 61800       | 17      | 20   | 104,0 | 66,0  | 56,2 |
| 618  | 61801       |         | 25   |       |       |      |
| 618  | 61802       |         | 30   |       |       |      |
| 618  | 61803       |         | 35   |       |       |      |
| 618  | 61804       |         | 40   |       |       |      |
| 619  | 61900       | 19      | 20   | 117,0 | 75,0  | 62,6 |
| 619  | 61901       |         | 25   |       |       |      |
| 619  | 61902       |         | 30   |       |       |      |
| 619  | 61903       |         | 35   |       |       |      |
| 619  | 61904       |         | 40   |       |       |      |
| 620  | 62000       | 21      | 20   | 129,8 | 95,0  | 68,6 |
| 620  | 62001       |         | 25   |       |       |      |
| 620  | 62002       |         | 30   |       |       |      |
| 620  | 62003       |         | 35   |       |       |      |
| 620  | 62004       |         | 40   |       |       |      |
| 621  | 62100       | 23      | 20   | 142,2 | 108,0 | 74,6 |
| 621  | 62101       |         | 25   |       |       |      |
| 621  | 62102       |         | 30   |       |       |      |
| 621  | 62103       |         | 35   |       |       |      |
| 621  | 62104       |         | 40   |       |       |      |
| 622  | 62200       | 25      | 20   | 154,7 | 112,0 | 80,5 |
| 622  | 62201       |         | 25   |       |       |      |
| 622  | 62202       |         | 30   |       |       |      |
| 622  | 62203       |         | 35   |       |       |      |
| 622  | 62204       |         | 40   |       |       |      |
| 623  | 62300       | 27      | 20   | 167,2 | 120,0 | 88,5 |
| 623  | 62301       |         | 25   |       |       |      |
| 623  | 62302       |         | 30   |       |       |      |
| 623  | 62303       |         | 35   |       |       |      |
| 623  | 62304       |         | 40   |       |       |      |
| 624  | 62400       | 29      | 20   | 179,3 | 130,0 | 92,8 |
| 624  | 62401       |         | 25   |       |       |      |
| 624  | 62402       |         | 30   |       |       |      |
| 624  | 62403       |         | 35   |       |       |      |
| 624  | 62404       |         | 40   |       |       |      |

## 882 M

Ruota rinvio liscia, divisa, fresata

Split idler wheel, machined / geteilte Umlenkrolle, gefräst

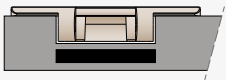
Delivery: **Easy** **Standard** Also suitable for Series 8157 - 8257 - 8857 M - 8857 M GT



| Part | Article-Nr. | ecq. Z. | Bore | OD    | ID    | S    |
|------|-------------|---------|------|-------|-------|------|
| 629  | 62900       | 17      | 20   | 104,0 | 75,2  | 56,2 |
| 629  | 62901       |         | 25   |       |       |      |
| 629  | 62902       |         | 30   |       |       |      |
| 629  | 62903       |         | 35   |       |       |      |
| 629  | 62904       |         | 40   |       |       |      |
| 630  | 63000       | 19      | 20   | 117,0 | 92,2  | 62,6 |
| 630  | 63001       |         | 25   |       |       |      |
| 630  | 63002       |         | 30   |       |       |      |
| 630  | 63003       |         | 35   |       |       |      |
| 630  | 63004       |         | 40   |       |       |      |
| 631  | 63100       | 21      | 20   | 129,8 | 105,0 | 68,6 |
| 631  | 63101       |         | 25   |       |       |      |
| 631  | 63102       |         | 30   |       |       |      |
| 631  | 63103       |         | 35   |       |       |      |
| 631  | 63104       |         | 40   |       |       |      |
| 632  | 63200       | 23      | 20   | 142,2 | 111,3 | 74,6 |
| 632  | 63201       |         | 25   |       |       |      |
| 632  | 63202       |         | 30   |       |       |      |
| 632  | 63203       |         | 35   |       |       |      |
| 632  | 63204       |         | 40   |       |       |      |
| 633  | 63300       | 25      | 20   | 154,7 | 124,7 | 80,5 |
| 633  | 63301       |         | 25   |       |       |      |
| 633  | 63302       |         | 30   |       |       |      |
| 633  | 63303       |         | 35   |       |       |      |
| 633  | 63304       |         | 40   |       |       |      |
| 634  | 63400       | 27      | 20   | 167,2 | 135,0 | 88,5 |
| 634  | 63401       |         | 25   |       |       |      |
| 634  | 63402       |         | 30   |       |       |      |
| 634  | 63403       |         | 35   |       |       |      |
| 634  | 63404       |         | 40   |       |       |      |
| 635  | 63500       | 29      | 20   | 179,3 | 140,0 | 92,8 |
| 635  | 63501       |         | 25   |       |       |      |
| 635  | 63502       |         | 30   |       |       |      |
| 635  | 63503       |         | 35   |       |       |      |
| 635  | 63504       |         | 40   |       |       |      |

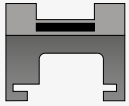
# Movex® Corner tracks

MAGNETIC, TAB and BEVEL



## Magnetic

The magnetic corner track is the most effective and reliable system for the table top conveyor design.

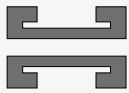


The magnets are carefully selected and positioned to provide the correct magnetic field to hold the chain on the corner track and this provides a flat carrying surface for the chain; thus, improving product stability and support for the product.

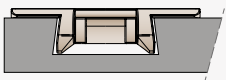


## TAB

TAB type corner tracks are a more economical solution compared to magnetic curves.

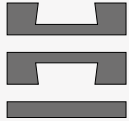


In those applications where cleaning and product support are less important, they can perfectly be used.



## Bevel

Bevel corner tracks are another alternative to magnetic and TAB corner track solutions.



Compared with TAB system it is more accessible but an additional support in the return is required.



## Standard

UHMW-PE

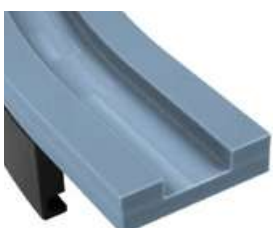
e.g. lubricated steel & plastic chains and belts



## C Abrasive

CONDITIONS

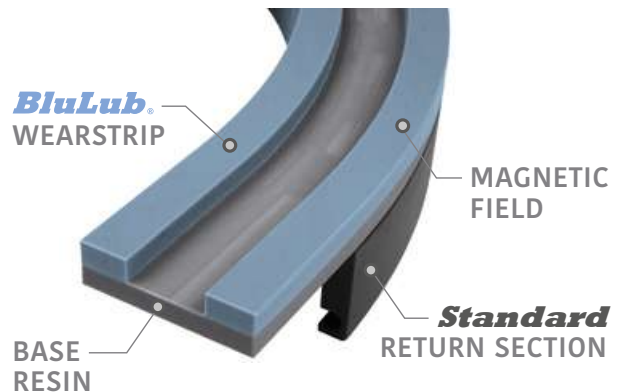
e.g. Dry running steel chains or polluted circumstances



## BluLub®

HIGH PERFORMANCE

e.g. Dry running plastic chains and belts & high speed application



## RS® Curves

SPECIFIC FOR HIGH LOAD APPLICATIONS

**RS** magnetic curves are designed to offer better conveyor performance.

**RS** curves equipped with **BluLub®** inserts require less energy consumption and reach a lower coefficient of friction which improves the product stability and elongate the wear life of chains and belts.

The curves **RS** are perfectly interchangeable with the traditional versions.

Depending on application conditions various curve materials are suitable.

# Movex RS PRO

SUPER RS MAGNETIC CURVE

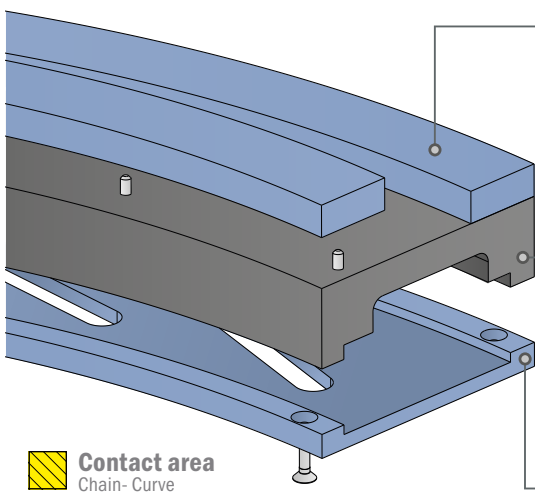
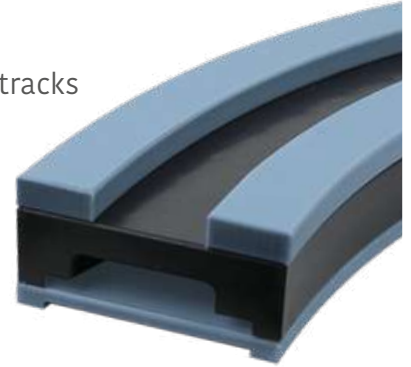
PATENTED

## A new concept of Magnetic curve.

**RS PRO** is a patented system that consists of machined plastic curve tracks equipped with permanent magnets with a new curve return concept.

This new return section-plate provides a total support of the chain or belt in the return of the curve.

**RS PRO** is equipped with wear-strips in **BluLub**, which contributes to improved PV-properties and reduce the energy consumption especially in applications with limited lubrication or higher loads.



### Wear strip made in **BluLub**

The assembly system reduces the maintenance-time in case of replacement and **BluLub** material guarantees great performance and due the lower friction which also improves the product stability and wearlife of chains and belts.

### Return section made in **Standard UHMW-PE**

The return section of the **RS PRO** curve is designed to reduce the distance between chain and magnets; ensuring steady magnetic force and keeping the chain in the correct position.

### New support plate made in **BluLub**

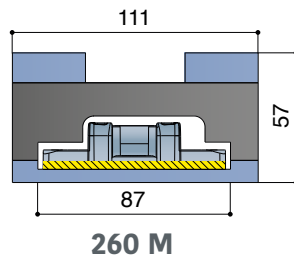
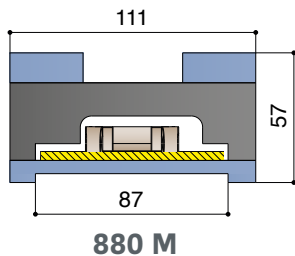
The new return-section plate creates a full support of the chain or belt in this return-section.

**RS PRO** patented curves can be used for **880 M** chain as well as **260 M** chain-belt.

Depending on the installation of the return-section plate, the correct space is created in the return.

Basically, two executions in one design!

 **Contact area**  
Chain- Curve



- Lower Friction • Less Wear • Easy to maintain • Lower TCO • Less Energy • Easy to install

## NEW **RS CRATES**

### Specific for high load applications.

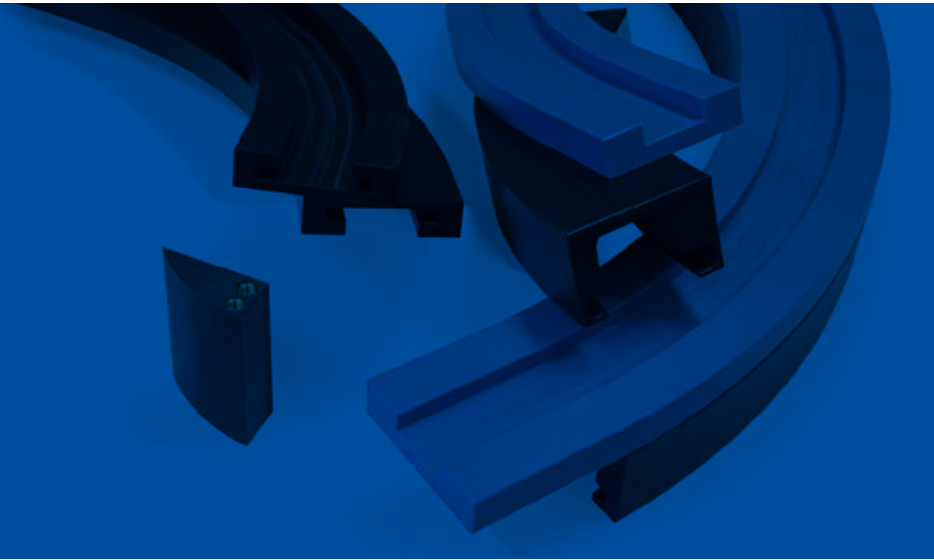
**RS CRATES** is the perfect solution for all the applications but specific abrasive conditions, able to guarantee great functionality even under high working load.

Also available in **C Abrasive** Version.





# 313



## RS PRO

### Series

\_\_\_\_\_ Pag 115

## 879-880-881

### M6 Series

\_\_\_\_\_ Pag 116

### M7 Series

\_\_\_\_\_ Pag 117

### M10 Series

\_\_\_\_\_ Pag 118

### M4 Series

\_\_\_\_\_ Pag 119

### M1 Series

\_\_\_\_\_ Pag 120

### M5 A/C/D Series

\_\_\_\_\_ Pag 121

### M8 Series

\_\_\_\_\_ Pag 122

### M42 Series

\_\_\_\_\_ Pag 123

### M9 Series

\_\_\_\_\_ Pag 124

### M43 Series

\_\_\_\_\_ Pag 125

### M21A Series

**K450** Pag 126

### M22A Series

**K450** Pag 127

### M27 Series

**K450** Pag 128

### M61 Series

**K750** Pag 129

### M62/66/65 Series

**K750** Pag 130

## 882-8857

### M81 Series

**K750** Pag 131

### M85 Series

**K750** Pag 132

### M86 Series

**K750** Pag 133

### M80 Series

**K750** Pag 134

## 882 M

### M93/M94 Series

**K1000** Pag 135

### M97/M98 Series

**K1200** Pag 136

## 882 LBP

### MP861 Series

**K750** Pag 137

### MP931/MP941 Series

**K1000** Pag 138

### MP91 Series

**K1000** Pag 139

### MP971/MP981 Series

**K1200** Pag 140

## 260 M

### MB7 Series

\_\_\_\_\_ Pag 141

### MB6 Series

\_\_\_\_\_ Pag 142

### MB4 Series

\_\_\_\_\_ Pag 143

### MB8 Series

\_\_\_\_\_ Pag 144

### MB5D Series

\_\_\_\_\_ Pag 145

### MB22 Series

**K450** Pag 146

### MB27 Series

**K450** Pag 147

## 261 M

### MC7 Series

\_\_\_\_\_ Pag 148

### MC6 Series

\_\_\_\_\_ Pag 149

### MC4 Series

\_\_\_\_\_ Pag 150

### MC8 Series

\_\_\_\_\_ Pag 151

### MCD5 Series

\_\_\_\_\_ Pag 152

### MC22 Series

**K450** Pag 153

### MC27 Series

**K450** Pag 154

## 520 M

### MA7 Series

\_\_\_\_\_ Pag 155

### MA6 Series

\_\_\_\_\_ Pag 156

### MA4 Series

\_\_\_\_\_ Pag 157

### MA8 Series

\_\_\_\_\_ Pag 158

### MA42 Series

\_\_\_\_\_ Pag 159

### MA43 Series

\_\_\_\_\_ Pag 160

### MA5D Series

\_\_\_\_\_ Pag 161

## 550 PRO M

### Series

\_\_\_\_\_ Pag 162

# Magnetic, Tab & Bevel corner tracks

Material  
Info:



pg. 111

## TAB Version

**878-879-880-881-888-260-261 TAB**

\_\_\_\_\_ Pag 163

**878 TAB-880 TAB BO**

\_\_\_\_\_ Pag 164

**888 TAB**

\_\_\_\_\_ Pag 165

**882 TAB**

\_\_\_\_\_ Pag 166

**1873-1874 TAB**

\_\_\_\_\_ Pag 167

**1843 TAB**

\_\_\_\_\_ Pag 168

**1701 TAB-1706 TAB**

\_\_\_\_\_ Pag 169

## Bevel Version

**880-881-8811 B**

\_\_\_\_\_ Pag 174

## Straight section

**878-879-880-881-888-260-261 TAB**

\_\_\_\_\_ Pag 175

**882 TAB**

\_\_\_\_\_ Pag 175

**1873-1874 TAB**

\_\_\_\_\_ Pag 176

**1843 TAB**

\_\_\_\_\_ Pag 176

**1701 TAB-1706 TAB**

\_\_\_\_\_ Pag 177

## 600 Series

**Standard and Small radius**

\_\_\_\_\_ Pag 170

**Standard and Small radius - TAB Version**

\_\_\_\_\_ Pag 171

**Heavy duty and Heavy duty/Small radius**

\_\_\_\_\_ Pag 172

**With Bearings**

\_\_\_\_\_ Pag 173



**RS PRO**

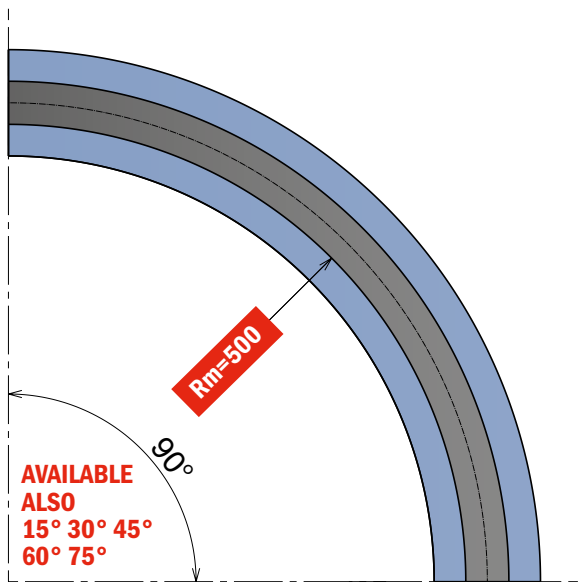
**PATENTED**

|                 |              |              |              |              |              |              |           |      |          |
|-----------------|--------------|--------------|--------------|--------------|--------------|--------------|-----------|------|----------|
| Chain Reference | 879 M - K325 | 880 M - K325 | 880 M - K330 | 881 M - K325 | 881 M - K330 | 260 M - K330 | Delivery: | Easy | Standard |
|-----------------|--------------|--------------|--------------|--------------|--------------|--------------|-----------|------|----------|

Curva Larghezza Base = 111 mm

Curve Basic Width = 111 mm

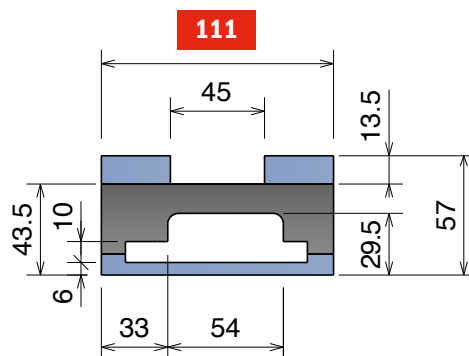
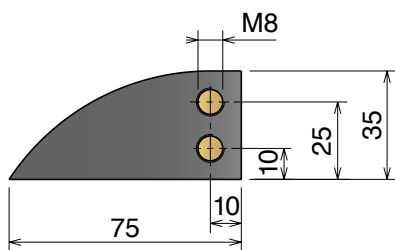
Kurve Basisbreite = 111 mm



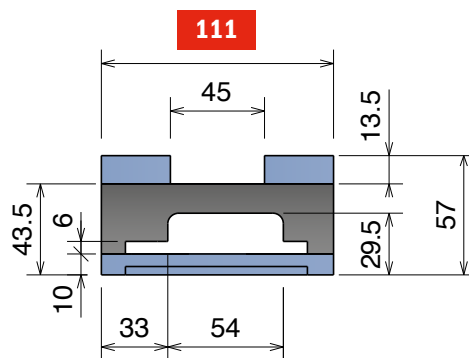
IN & OUT  
 AVAILABLE ALSO  
 125 mm - 100 mm - 50 mm



Available in  
**BluLub**



SINGLE TRACK for 260 M



SINGLE TRACK for 880 M

**MAGNETIC SYSTEM**

| Part | Article-Nr.   | Tracks | W   | Material |
|------|---------------|--------|-----|----------|
| 712  | 71211610RSPRO | 1      | 111 |          |

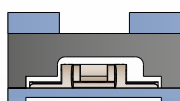


**RS PRO**  
 CURVE

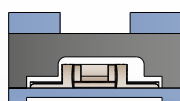
On request available  
 with different radius.

**RS PRO**

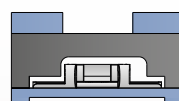
ONE curve, FOUR chains!



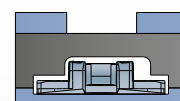
879 M



880 M



881 M



260 M

# 879-880-881 M6 Series

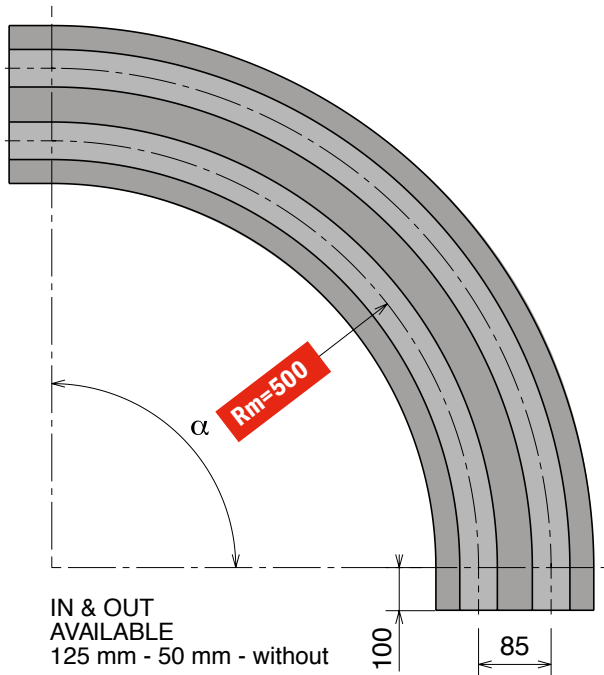
Curve magnetiche, Tab & Bevel / Magnetic, Tab & Bevel corner tracks / Kurvenführungen Magnet, Tab & Bevel Version

Materiale / Material / Materialien:  
 Polietilene UHMW-PE  
 Polyethylene UHMW-PE  
 Polyäthylen UHMW-PE

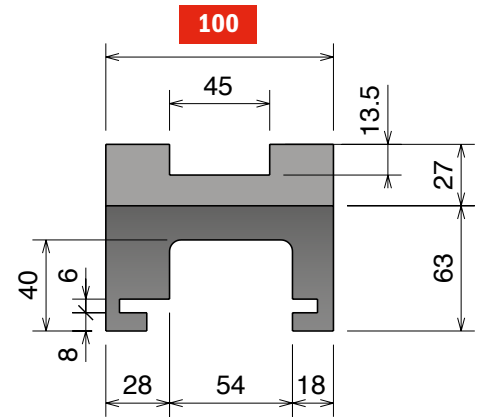
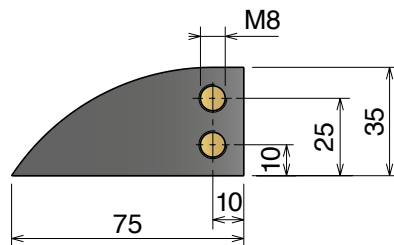
## 879-880-881 M6 Series

| Chain Reference | 879 M - K325 | 880 M - K325 | 880 M - K330 | 881 M - K325 | 881 M - K330 | Delivery: | Easy | Standard |
|-----------------|--------------|--------------|--------------|--------------|--------------|-----------|------|----------|
|-----------------|--------------|--------------|--------------|--------------|--------------|-----------|------|----------|

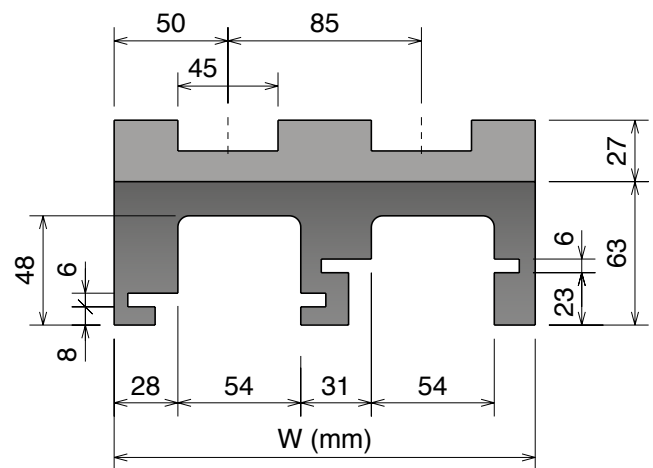
Curva Larghezza Base = 100 mm; Passo = 85 mm  
 Curve Basic Width = 100 mm; Pitch = 85 mm  
 Kurve Basisbreite = 100 mm; Teilung = 85 mm



Available in **BluLub**



SINGLE TRACK



MULTI TRACK

Upper part available, on request, also in **BluLub** and for abrasive applications.

### MAGNETIC SYSTEM

| Part | $\alpha$ 15° | $\alpha$ 30° | $\alpha$ 45° | $\alpha$ 60° | $\alpha$ 75° | $\alpha$ 90° | Tracks | W   | Material                |
|------|--------------|--------------|--------------|--------------|--------------|--------------|--------|-----|-------------------------|
| 701  | 70111114     | 70111214     | 70111314     | 70111414     | 70111514     | 70111614     | 1      | 100 | Standard codes on table |
| 701  | 70111124     | 70111224     | 70111324     | 70111424     | 70111524     | 70111624     | 2      | 185 |                         |
| 701  | 70111134     | 70111234     | 70111334     | 70111434     | 70111534     | 70111634     | 3      | 270 | add "B" for BluLub      |
| 701  | 70111144     | 70111244     | 70111344     | 70111444     | 70111544     | 70111644     | 4      | 355 |                         |
| 701  | 70111154     | 70111254     | 70111354     | 70111454     | 70111554     | 70111654     | 5      | 440 | add "C" for abrasive    |
| 701  | 70111164     | 70111264     | 70111364     | 70111464     | 70111564     | 70111664     | 6      | 525 |                         |
| 701  | 70111174     | 70111274     | 70111374     | 70111474     | 70111574     | 70111674     | 7      | 610 |                         |
| 701  | 70111184     | 70111284     | 70111384     | 70111484     | 70111584     | 70111684     | 8      | 695 |                         |

| Part | $\alpha$ 15° | $\alpha$ 30° | $\alpha$ 45° | $\alpha$ 60° | $\alpha$ 75° | $\alpha$ 90° | Tracks | W   | Material                |
|------|--------------|--------------|--------------|--------------|--------------|--------------|--------|-----|-------------------------|
| 701  | 70111114RS   | 70111214RS   | 70111314RS   | 70111414RS   | 70111514RS   | 70111614RS   | 1      | 100 | add "RS" for RS-version |
| 701  | 70111124RS   | 70111224RS   | 70111324RS   | 70111424RS   | 70111524RS   | 70111624RS   | 2      | 185 |                         |
| 701  | 70111134RS   | 70111234RS   | 70111334RS   | 70111434RS   | 70111534RS   | 70111634RS   | 3      | 270 |                         |
| 701  | 70111144RS   | 70111244RS   | 70111344RS   | 70111444RS   | 70111544RS   | 70111644RS   | 4      | 355 |                         |
| 701  | 70111154RS   | 70111254RS   | 70111354RS   | 70111454RS   | 70111554RS   | 70111654RS   | 5      | 440 |                         |
| 701  | 70111164RS   | 70111264RS   | 70111364RS   | 70111464RS   | 70111564RS   | 70111664RS   | 6      | 525 |                         |
| 701  | 70111174RS   | 70111274RS   | 70111374RS   | 70111474RS   | 70111574RS   | 70111674RS   | 7      | 610 |                         |
| 701  | 70111184RS   | 70111284RS   | 70111384RS   | 70111484RS   | 70111584RS   | 70111684RS   | 8      | 695 |                         |

Curve magnetiche, Tab & Bevel / Magnetic, Tab & Bevel corner tracks / Kurvenführungen Magnet, Tab & Bevel Version

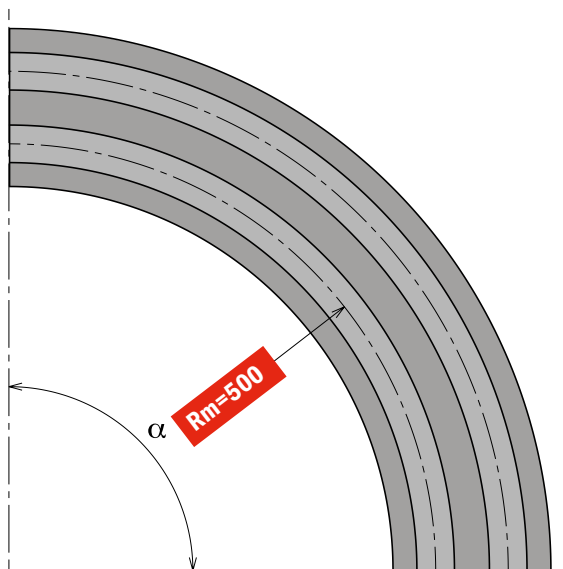
## 879-880-881 M7 Series

| Chain Reference | 879 M - K325 | 880 M - K325 | 880 M - K330 | 881 M - K325 | 881 M - K330 |
|-----------------|--------------|--------------|--------------|--------------|--------------|
|-----------------|--------------|--------------|--------------|--------------|--------------|

Curva Larghezza Base = 100 mm; Passo = 85 mm

Curve Basic Width = 100 mm; Pitch = 85 mm

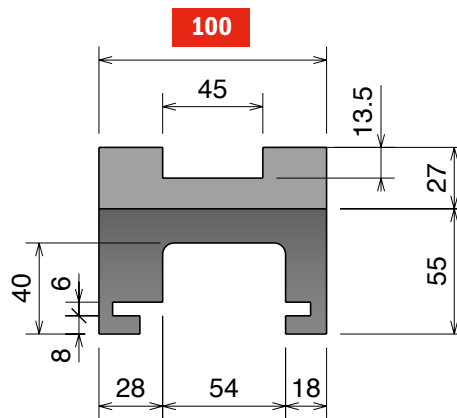
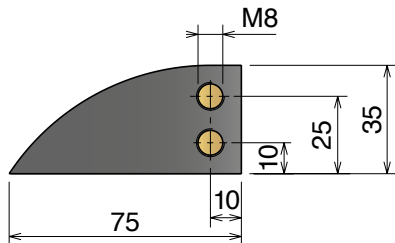
Kurve Basisbreite = 100 mm; Teilung = 85 mm



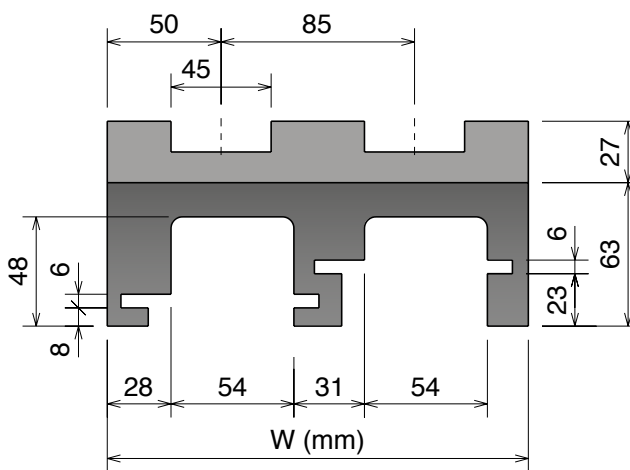
IN & OUT  
 AVAILABLE ALSO  
 125 mm - 100 mm - 50 mm



Available in  
**BluLub®**



SINGLE TRACK



MULTI TRACK

Upper part available, on request,  
 also in **BluLub®**  
 and for abrasive applications.

**MAGNETIC SYSTEM**

| Part | α 15°    | α 30°    | α 45°    | α 60°    | α 75°    | α 90°    | Tracks | W   | Material   |
|------|----------|----------|----------|----------|----------|----------|--------|-----|--|
| 701  | 70111110 | 70111210 | 70111310 | 70111410 | 70111510 | 70111610 | 1      | 100 | <b>Standard</b> codes on table<br>add " <b>B</b> " for <b>BluLub®</b><br>add " <b>C</b> " for abrasive |
| 701  | 70111120 | 70111220 | 70111320 | 70111420 | 70111520 | 70111620 | 2      | 185 |  |
| 701  | 70111130 | 70111230 | 70111330 | 70111430 | 70111530 | 70111630 | 3      | 270 |  |
| 701  | 70111140 | 70111240 | 70111340 | 70111440 | 70111540 | 70111640 | 4      | 355 |  |
| 701  | 70111150 | 70111250 | 70111350 | 70111450 | 70111550 | 70111650 | 5      | 440 |  |
| 701  | 70111160 | 70111260 | 70111360 | 70111460 | 70111560 | 70111660 | 6      | 525 |  |
| 701  | 70111170 | 70111270 | 70111370 | 70111470 | 70111570 | 70111670 | 7      | 610 |  |
| 701  | 70111180 | 70111280 | 70111380 | 70111480 | 70111580 | 70111680 | 8      | 695 |  |

| Part | α 15°      | α 30°      | α 45°      | α 60°      | α 75°      | α 90°      | Tracks | W   | Material                                      |
|------|------------|------------|------------|------------|------------|------------|--------|-----|---|
| 701  | 70111110RS | 70111210RS | 70111310RS | 70111410RS | 70111510RS | 70111610RS | 1      | 100 | <b>RS</b><br>add " <b>RS</b> " for RS-version |
| 701  | 70111120RS | 70111220RS | 70111320RS | 70111420RS | 70111520RS | 70111620RS | 2      | 185 |   |
| 701  | 70111130RS | 70111230RS | 70111330RS | 70111430RS | 70111530RS | 70111630RS | 3      | 270 |   |
| 701  | 70111140RS | 70111240RS | 70111340RS | 70111440RS | 70111540RS | 70111640RS | 4      | 355 |   |
| 701  | 70111150RS | 70111250RS | 70111350RS | 70111450RS | 70111550RS | 70111650RS | 5      | 440 |   |
| 701  | 70111160RS | 70111260RS | 70111360RS | 70111460RS | 70111560RS | 70111660RS | 6      | 525 |   |
| 701  | 70111170RS | 70111270RS | 70111370RS | 70111470RS | 70111570RS | 70111670RS | 7      | 610 |   |
| 701  | 70111180RS | 70111280RS | 70111380RS | 70111480RS | 70111580RS | 70111680RS | 8      | 695 |   |

# 879-880-881 M10 Series

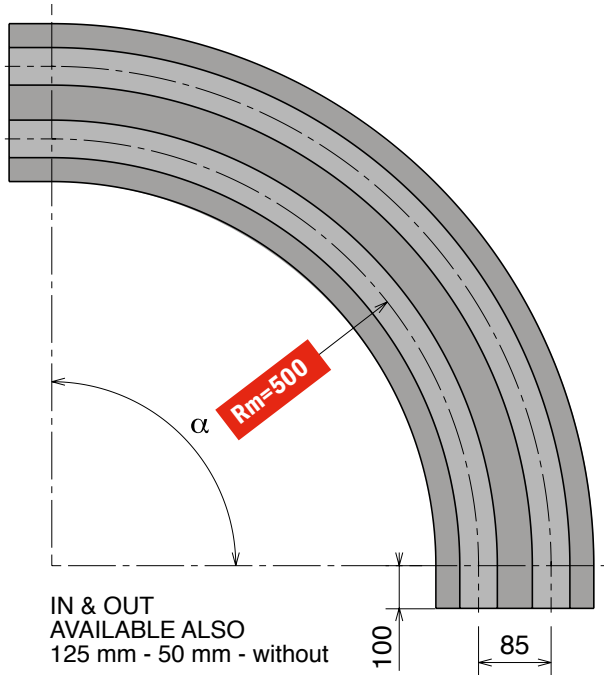
Curve magnetiche, Tab & Bevel / Magnetic, Tab & Bevel corner tracks / Kurvenführungen Magnet, Tab & Bevel Version

Materiale / Material / Materialien:  
 Polietilene UHMW-PE  
 Polyethylene UHMW-PE  
 Polyäthylen UHMW-PE

# 879-880-881 M10 Series

| Chain Reference | 879 M - K325 | 880 M - K325 | 880 M - K330 | 881 M - K325 | 881 M - K330 |
|-----------------|--------------|--------------|--------------|--------------|--------------|
|-----------------|--------------|--------------|--------------|--------------|--------------|

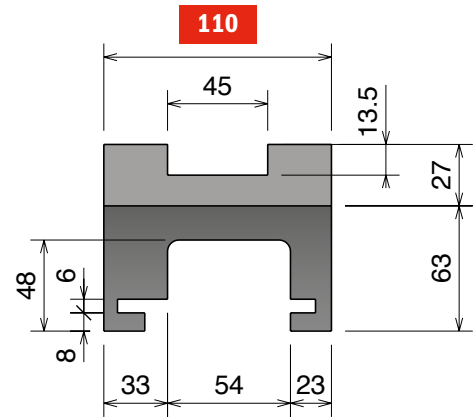
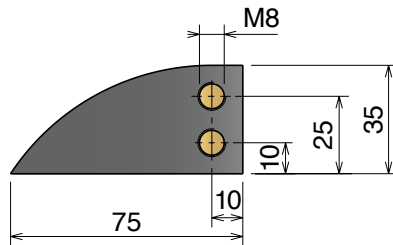
Curva Larghezza Base = 110 mm; Passo = 85 mm  
 Curve Basic Width = 110 mm; Pitch = 85 mm  
 Kurve Basisbreite = 110 mm; Teilung = 85 mm



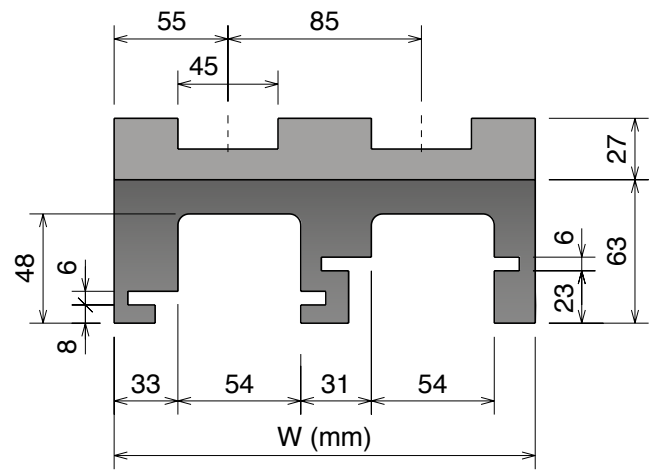
IN & OUT  
 AVAILABLE ALSO  
 125 mm - 50 mm - without



Available in  
**BluLub**






SINGLE TRACK




MULTI TRACK

Upper part available, on request,  
 also in **BluLub**  
 and for abrasive applications.

### MAGNETIC SYSTEM

| Part | $\alpha$ 15° | $\alpha$ 30° | $\alpha$ 45° | $\alpha$ 60° | $\alpha$ 75° | $\alpha$ 90° | Tracks | W   | Material   |
|------|--------------|--------------|--------------|--------------|--------------|--------------|--------|-----|--|
| 711  | 71111114     | 71111214     | 71111314     | 71111414     | 71111514     | 71111614     | 1      | 110 |  <b>Standard</b> codes on table |
| 711  | 71111124     | 71111224     | 71111324     | 71111424     | 71111524     | 71111624     | 2      | 195 |  |
| 711  | 71111134     | 71111234     | 71111334     | 71111434     | 71111534     | 71111634     | 3      | 280 |  add "B" for <b>BluLub</b>      |
| 711  | 71111144     | 71111244     | 71111344     | 71111444     | 71111544     | 71111644     | 4      | 365 |  |
| 711  | 71111154     | 71111254     | 71111354     | 71111454     | 71111554     | 71111654     | 5      | 450 |  add "C" for abrasive           |
| 711  | 71111164     | 71111264     | 71111364     | 71111464     | 71111564     | 71111664     | 6      | 535 |  |
| 711  | 71111174     | 71111274     | 71111374     | 71111474     | 71111574     | 71111674     | 7      | 620 |  |
| 711  | 71111184     | 71111284     | 71111384     | 71111484     | 71111584     | 71111684     | 8      | 705 |  |

| Part | $\alpha$ 15° | $\alpha$ 30° | $\alpha$ 45° | $\alpha$ 60° | $\alpha$ 75° | $\alpha$ 90° | Tracks | W   | Material  |
|------|--------------|--------------|--------------|--------------|--------------|--------------|--------|-----|---|
| 711  | 71111114RS   | 71111214RS   | 71111314RS   | 71111414RS   | 71111514RS   | 71111614RS   | 1      | 110 |  <b>RS</b> add "RS" for RS-version |
| 711  | 71111124RS   | 71111224RS   | 71111324RS   | 71111424RS   | 71111524RS   | 71111624RS   | 2      | 195 |   |
| 711  | 71111134RS   | 71111234RS   | 71111334RS   | 71111434RS   | 71111534RS   | 71111634RS   | 3      | 280 |   |
| 711  | 71111144RS   | 71111244RS   | 71111344RS   | 71111444RS   | 71111544RS   | 71111644RS   | 4      | 365 |   |
| 711  | 71111154RS   | 71111254RS   | 71111354RS   | 71111454RS   | 71111554RS   | 71111654RS   | 5      | 450 |   |
| 711  | 71111164RS   | 71111264RS   | 71111364RS   | 71111464RS   | 71111564RS   | 71111664RS   | 6      | 535 |   |
| 711  | 71111174RS   | 71111274RS   | 71111374RS   | 71111474RS   | 71111574RS   | 71111674RS   | 7      | 620 |   |
| 711  | 71111184RS   | 71111284RS   | 71111384RS   | 71111484RS   | 71111584RS   | 71111684RS   | 8      | 705 |   |

Curve magnetiche, Tab & Bevel / Magnetic, Tab & Bevel corner tracks / Kurvenführungen Magnet, Tab & Bevel Version

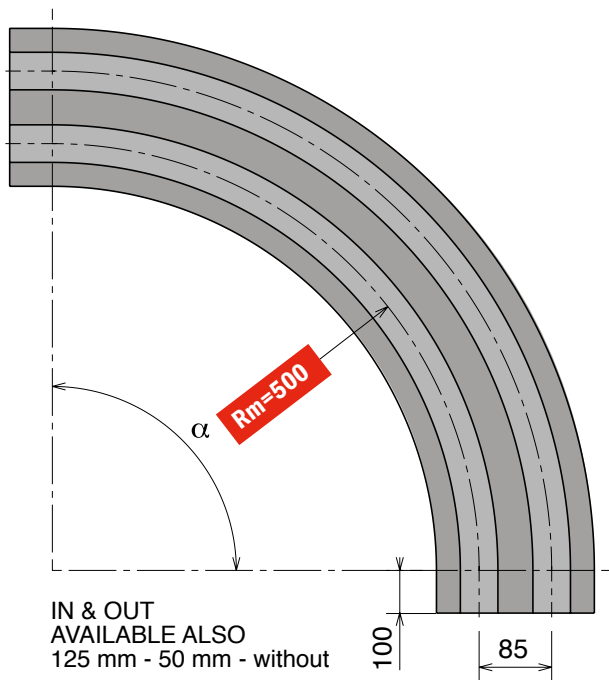
## 879-880-881 M4 Series

| Chain Reference | 879 M - K325 | 880 M - K325 | 880 M - K330 | 881 M - K325 | 881 M - K330 |
|-----------------|--------------|--------------|--------------|--------------|--------------|
|-----------------|--------------|--------------|--------------|--------------|--------------|

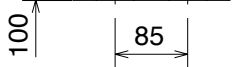
Curva Larghezza Base = 111 mm; Passo = 85 mm

Curve Basic Width = 111 mm; Pitch = 85 mm

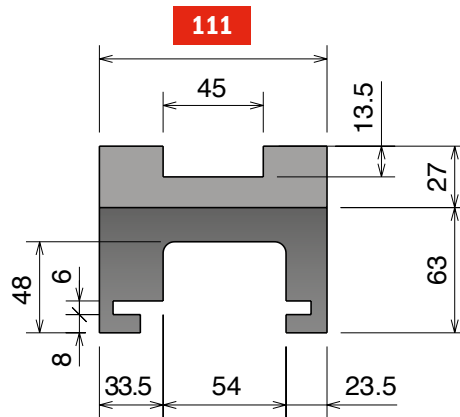
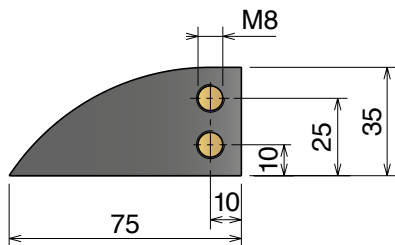
Kurve Basisbreite = 111 mm; Teilung = 85 mm



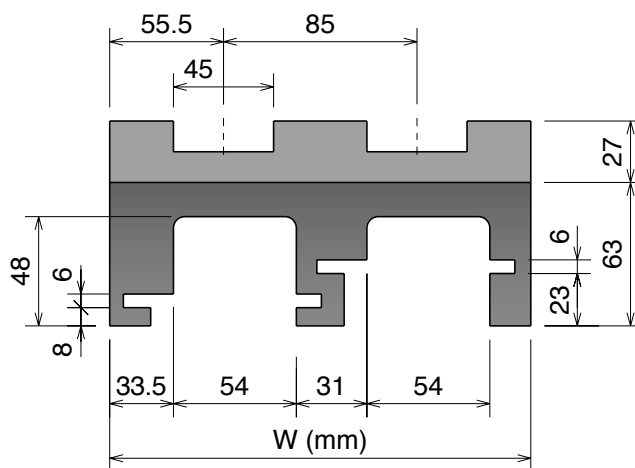
IN & OUT  
 AVAILABLE ALSO  
 125 mm - 50 mm - without



Available in  
**BluLub®**






SINGLE TRACK

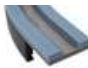


MULTI TRACK

**MAGNETIC SYSTEM**

Upper part available, on request,  
 also in **BluLub®**  
 and for abrasive applications.

| Part | α 15°    | α 30°    | α 45°    | α 60°    | α 75°    | α 90°    | Tracks | W   | Material   |
|------|----------|----------|----------|----------|----------|----------|--------|-----|--|
| 712  | 71211114 | 71211214 | 71211314 | 71211414 | 71211514 | 71211614 | 1      | 111 |  <b>Standard</b> codes on table<br> add "B" for <b>BluLub®</b><br> add "C" for abrasive |
| 712  | 71211124 | 71211224 | 71211324 | 71211424 | 71211524 | 71211624 | 2      | 196 |  |
| 712  | 71211134 | 71211234 | 71211334 | 71211434 | 71211534 | 71211634 | 3      | 281 |  |
| 712  | 71211144 | 71211244 | 71211344 | 71211444 | 71211544 | 71211644 | 4      | 366 |  |
| 712  | 71211154 | 71211254 | 71211354 | 71211454 | 71211554 | 71211654 | 5      | 451 |  |
| 712  | 71211164 | 71211264 | 71211364 | 71211464 | 71211564 | 71211664 | 6      | 536 |  |
| 712  | 71211174 | 71211274 | 71211374 | 71211474 | 71211574 | 71211674 | 7      | 621 |  |
| 712  | 71211184 | 71211284 | 71211384 | 71211484 | 71211584 | 71211684 | 8      | 706 |  |

| Part | α 15°      | α 30°      | α 45°      | α 60°      | α 75°      | α 90°      | Tracks | W   | Material   |
|------|------------|------------|------------|------------|------------|------------|--------|-----|--|
| 712  | 71211114RS | 71211214RS | 71211314RS | 71211414RS | 71211514RS | 71211614RS | 1      | 111 |  <b>RS</b><br>add "RS" for RS-version |
| 712  | 71211124RS | 71211224RS | 71211324RS | 71211424RS | 71211524RS | 71211624RS | 2      | 196 |  |
| 712  | 71211134RS | 71211234RS | 71211334RS | 71211434RS | 71211534RS | 71211634RS | 3      | 281 |  |
| 712  | 71211144RS | 71211244RS | 71211344RS | 71211444RS | 71211544RS | 71211644RS | 4      | 366 |  |
| 712  | 71211154RS | 71211254RS | 71211354RS | 71211454RS | 71211554RS | 71211654RS | 5      | 451 |  |
| 712  | 71211164RS | 71211264RS | 71211364RS | 71211464RS | 71211564RS | 71211664RS | 6      | 536 |  |
| 712  | 71211174RS | 71211274RS | 71211374RS | 71211474RS | 71211574RS | 71211674RS | 7      | 621 |  |
| 712  | 71211184RS | 71211284RS | 71211384RS | 71211484RS | 71211584RS | 71211684RS | 8      | 706 |  |

# 879-880-881 M1 Series

Curve magnetiche, Tab & Bevel / Magnetic, Tab & Bevel corner tracks / Kurvenführungen Magnet, Tab & Bevel Version

Materiale / Material / Materialien:  
 Polietilene UHMW-PE  
 Polyethylene UHMW-PE  
 Polyäthylen UHMW-PE

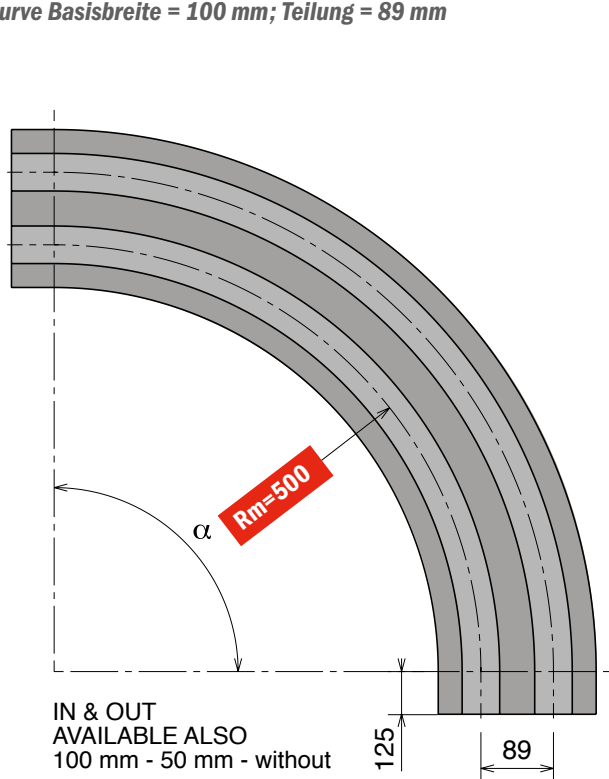
# 879-880-881 M1 Series

| Chain Reference | 879 M - K325 | 880 M - K325 | 880 M - K330 | 881 M - K325 | 881 M - K330 |
|-----------------|--------------|--------------|--------------|--------------|--------------|
|-----------------|--------------|--------------|--------------|--------------|--------------|

Curva Larghezza Base = 100 mm; Passo = 89 mm

Curve Basic Width = 100 mm; Pitch = 89 mm

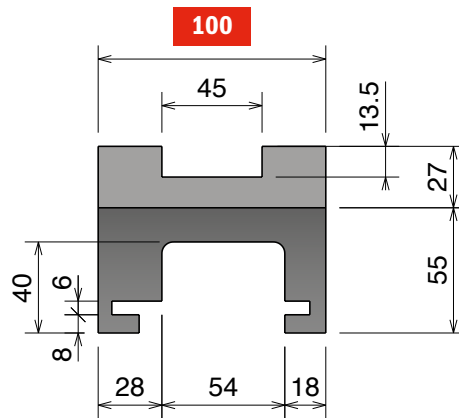
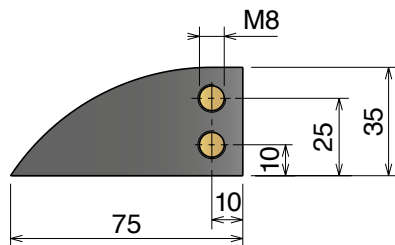
Kurve Basisbreite = 100 mm; Teilung = 89 mm



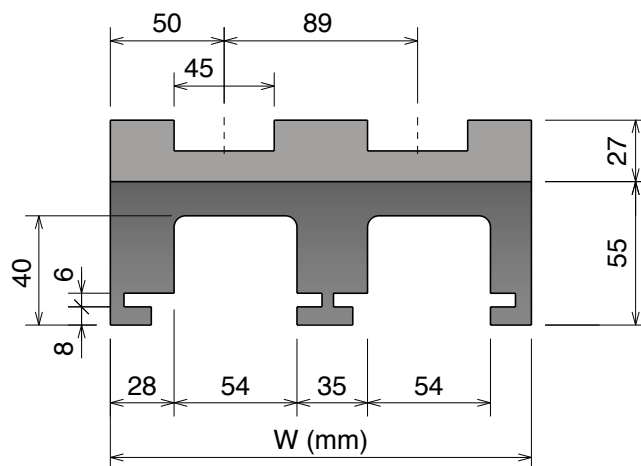
IN & OUT  
 AVAILABLE ALSO  
 100 mm - 50 mm - without



Available in  
**BluLub**



SINGLE TRACK



MULTI TRACK

Upper part available, on request,  
 also in **BluLub**  
 and for abrasive applications.

**MAGNETIC SYSTEM**

| Part | $\alpha$ 15° | $\alpha$ 30° | $\alpha$ 45° | $\alpha$ 60° | $\alpha$ 75° | $\alpha$ 90° | Tracks | W   | Material |                              |
|------|--------------|--------------|--------------|--------------|--------------|--------------|--------|-----|----------|------------------------------|
| 730  | 73011115     | 73011215     | 73011315     | 73011415     | 73011515     | 73011615     | 1      | 100 |          | Standard codes<br>on table   |
| 730  | 73011125     | 73011225     | 73011325     | 73011425     | 73011525     | 73011625     | 2      | 189 |          |                              |
| 730  | 73011135     | 73011235     | 73011335     | 73011435     | 73011535     | 73011635     | 3      | 278 |          | add "B" for<br><b>BluLub</b> |
| 730  | 73011145     | 73011245     | 73011345     | 73011445     | 73011545     | 73011645     | 4      | 367 |          |                              |
| 730  | 73011155     | 73011255     | 73011355     | 73011455     | 73011555     | 73011655     | 5      | 456 |          | add "C" for<br>abrasive      |
| 730  | 73011165     | 73011265     | 73011365     | 73011465     | 73011565     | 73011665     | 6      | 545 |          |                              |
| 730  | 73011175     | 73011275     | 73011375     | 73011475     | 73011575     | 73011675     | 7      | 634 |          |                              |
| 730  | 73011185     | 73011285     | 73011385     | 73011485     | 73011585     | 73011685     | 8      | 723 |          |                              |

| Part | $\alpha$ 15° | $\alpha$ 30° | $\alpha$ 45° | $\alpha$ 60° | $\alpha$ 75° | $\alpha$ 90° | Tracks | W   | Material |                            |
|------|--------------|--------------|--------------|--------------|--------------|--------------|--------|-----|----------|----------------------------|
| 730  | 73011115RS   | 73011215RS   | 73011315RS   | 73011415RS   | 73011515RS   | 73011615RS   | 1      | 100 |          | add "RS" for<br>RS-version |
| 730  | 73011125RS   | 73011225RS   | 73011325RS   | 73011425RS   | 73011525RS   | 73011625RS   | 2      | 189 |          |                            |
| 730  | 73011135RS   | 73011235RS   | 73011335RS   | 73011435RS   | 73011535RS   | 73011635RS   | 3      | 278 |          |                            |
| 730  | 73011145RS   | 73011245RS   | 73011345RS   | 73011445RS   | 73011545RS   | 73011645RS   | 4      | 367 |          |                            |
| 730  | 73011155RS   | 73011255RS   | 73011355RS   | 73011455RS   | 73011555RS   | 73011655RS   | 5      | 456 |          |                            |
| 730  | 73011165RS   | 73011265RS   | 73011365RS   | 73011465RS   | 73011565RS   | 73011665RS   | 6      | 545 |          |                            |
| 730  | 73011175RS   | 73011275RS   | 73011375RS   | 73011475RS   | 73011575RS   | 73011675RS   | 7      | 634 |          |                            |
| 730  | 73011185RS   | 73011285RS   | 73011385RS   | 73011485RS   | 73011585RS   | 73011685RS   | 8      | 723 |          |                            |

Curve magnetiche, Tab & Bevel / Magnetic, Tab & Bevel corner tracks / Kurvenführungen Magnet, Tab & Bevel Version



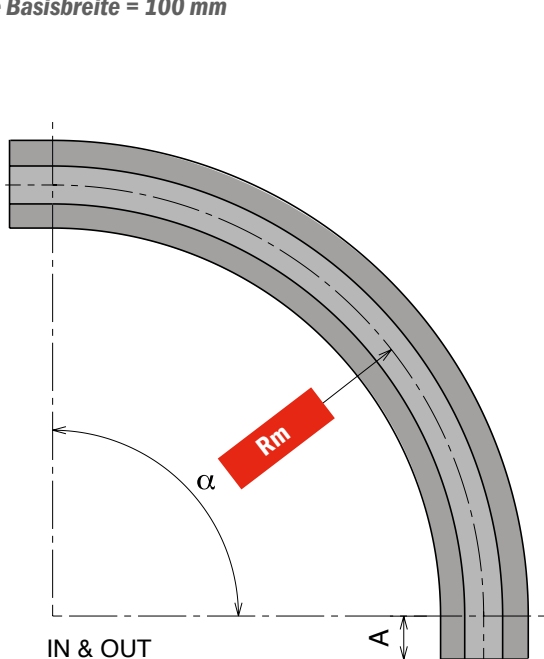
## 879-880-881 M5 A/C/D Series

| Chain Reference | 879 M - K325 | 880 M - K325 | 880 M - K330 | 881 M - K325 | 881 M - K330 |
|-----------------|--------------|--------------|--------------|--------------|--------------|
|-----------------|--------------|--------------|--------------|--------------|--------------|

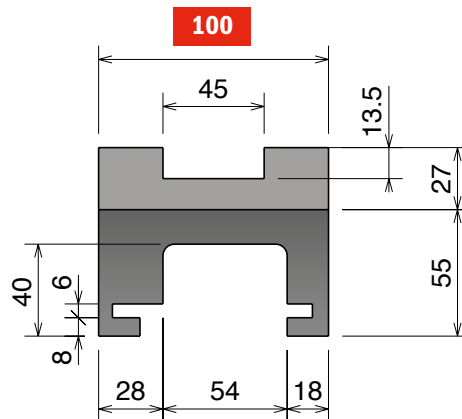
Curva Larghezza Base = 100 mm

Curve Basic Width = 100 mm

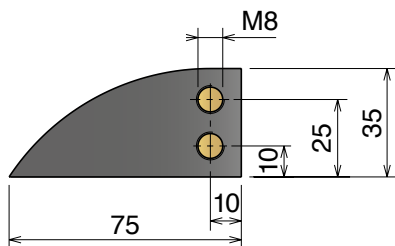
Kurve Basisbreite = 100 mm



IN & OUT  
 AVAILABLE ALSO  
 100 mm - 50 mm - without



Available in  
**BluLub®**



Upper part available, on request,  
 also in **BluLub®**  
 and for abrasive applications.

### MAGNETIC SYSTEM

#### M5A Series - Rm 680

| Part     | $\alpha$ 15°            | $\alpha$ 30° | $\alpha$ 45°               | $\alpha$ 60° | $\alpha$ 75°         | $\alpha$ 90° | Tracks                          | W   | A   |
|----------|-------------------------|--------------|----------------------------|--------------|----------------------|--------------|---------------------------------|-----|-----|
| 703      | 70315114                | 70315214     | 70315314                   | 70315414     | 70315514             | 70315614     | 1                               | 100 | 100 |
| Material | Standard codes on table |              | add "B" for <b>BluLub®</b> |              | add "C" for abrasive |              | add "RS" for <b>RS</b> -version |     |     |

#### M5C Series - Rm 860

| Part     | $\alpha$ 15°            | $\alpha$ 30° | $\alpha$ 45°               | $\alpha$ 60° | $\alpha$ 75°         | $\alpha$ 90° | Tracks                          | W   | A   |
|----------|-------------------------|--------------|----------------------------|--------------|----------------------|--------------|---------------------------------|-----|-----|
| 703      | 70318115                | 70318215     | 70318315                   | 70318415     | 70318515             | 70318615     | 1                               | 100 | 125 |
| Material | Standard codes on table |              | add "B" for <b>BluLub®</b> |              | add "C" for abrasive |              | add "RS" for <b>RS</b> -version |     |     |

#### M5D Series - Rm 1000

| Part     | $\alpha$ 15°            | $\alpha$ 30° | $\alpha$ 45°               | $\alpha$ 60° | $\alpha$ 75°         | $\alpha$ 90° | Tracks                          | W   | A |
|----------|-------------------------|--------------|----------------------------|--------------|----------------------|--------------|---------------------------------|-----|---|
| 703      | 70319110                | 70319210     | 70319310                   | 70319410     | 70319510             | 70319610     | 1                               | 100 | 0 |
| Material | Standard codes on table |              | add "B" for <b>BluLub®</b> |              | add "C" for abrasive |              | add "RS" for <b>RS</b> -version |     |   |

# 879-880-881 M8 Series

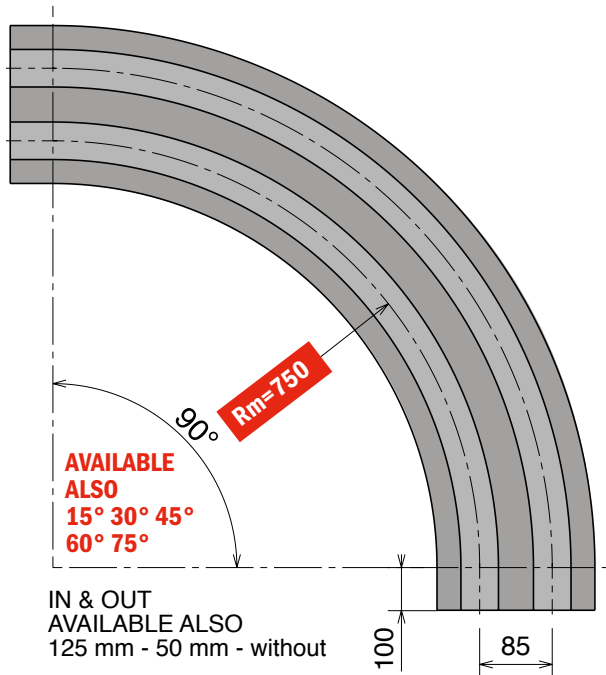
Curve magnetiche, Tab & Bevel / Magnetic, Tab & Bevel corner tracks / Kurvenführungen Magnet, Tab & Bevel Version

Materiale / Material / Materialien:  
 Polietilene UHMW-PE  
 Polyethylene UHMW-PE  
 Polyäthylen UHMW-PE

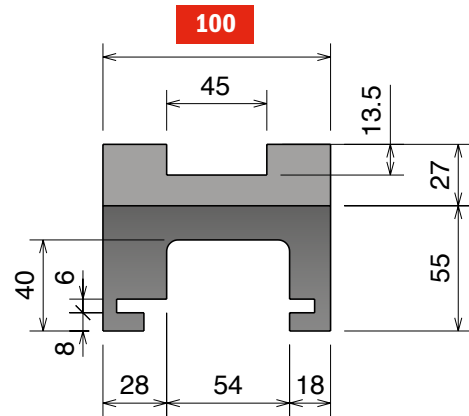
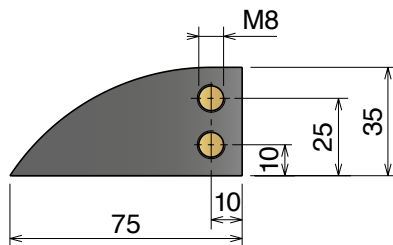
## 879-880-881 M8 Series

Chain Reference    879 M - K325    880 M - K325    880 M - K330    881 M - K325    881 M - K330

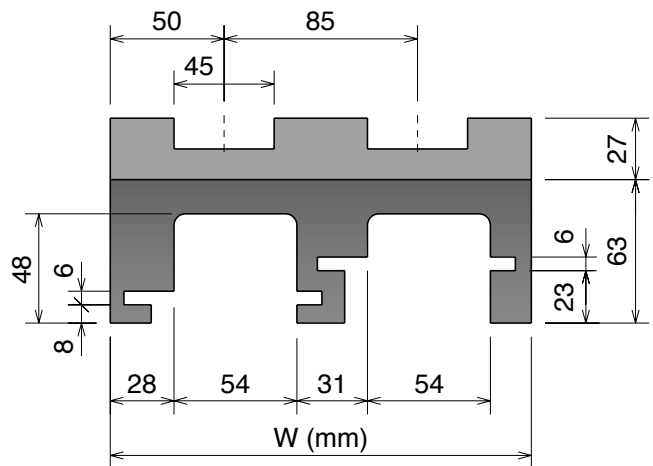
Curva Larghezza Base = 100 mm; Passo = 85 mm  
 Curve Basic Width = 100 mm; Pitch = 85 mm  
 Kurve Basisbreite = 100 mm; Teilung = 85 mm



Available in **BluLub®**



SINGLE TRACK



MULTI TRACK

Upper part available, on request, also in **BluLub®** and for abrasive applications.

### MAGNETIC SYSTEM

| Part | Article-Nr. | Tracks | W   | Material                |
|------|-------------|--------|-----|-------------------------|
| 702  | 70216614    | 1      | 100 | Standard codes on table |
| 702  | 70216624    | 2      | 185 |                         |
| 702  | 70216634    | 3      | 270 | add "B" for BluLub®     |
| 702  | 70216644    | 4      | 355 |                         |
| 702  | 70216654    | 5      | 440 | add "C" for abrasive    |
| 702  | 70216664    | 6      | 525 |                         |
| 702  | 70216674    | 7      | 610 |                         |
| 702  | 70216684    | 8      | 695 |                         |

| Part | Article-Nr. | Tracks | W   | Material                |
|------|-------------|--------|-----|-------------------------|
| 702  | 70216614RS  | 1      | 100 | add "RS" for RS-version |
| 702  | 70216624RS  | 2      | 185 |                         |
| 702  | 70216634RS  | 3      | 270 | add "RS" for RS-version |
| 702  | 70216644RS  | 4      | 355 |                         |
| 702  | 70216654RS  | 5      | 440 |                         |
| 702  | 70216664RS  | 6      | 525 |                         |
| 702  | 70216674RS  | 7      | 610 |                         |
| 702  | 70216684RS  | 8      | 695 |                         |

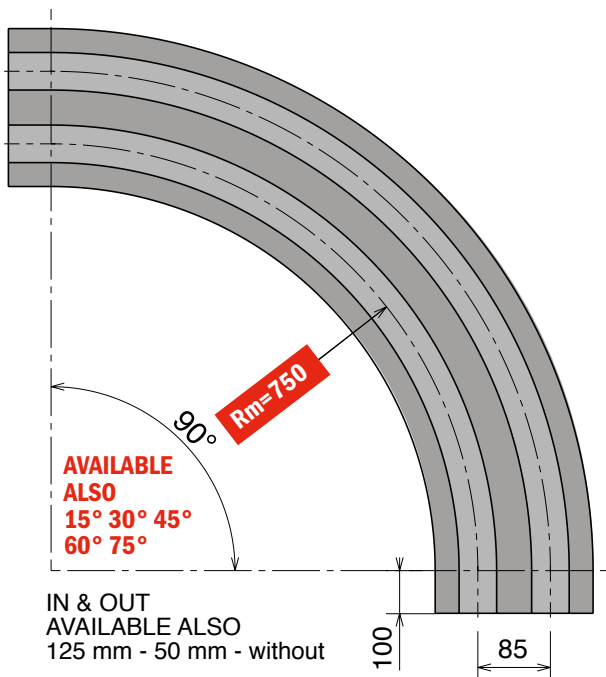
## 879-880-881 M42 Series

| Chain Reference | 879 M - K325 | 880 M - K325 | 880 M - K330 | 881 M - K325 | 881 M - K330 |
|-----------------|--------------|--------------|--------------|--------------|--------------|
|-----------------|--------------|--------------|--------------|--------------|--------------|

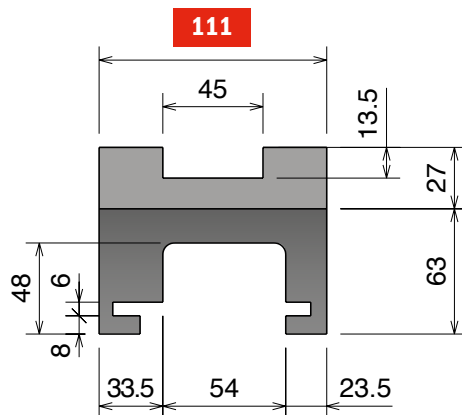
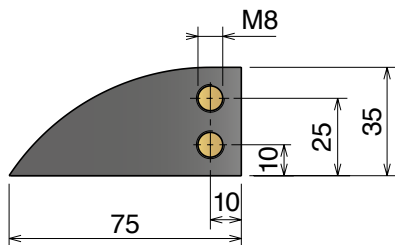
Curva Larghezza Base = 111 mm; Passo = 85 mm

Curve Basic Width = 111 mm; Pitch = 85 mm

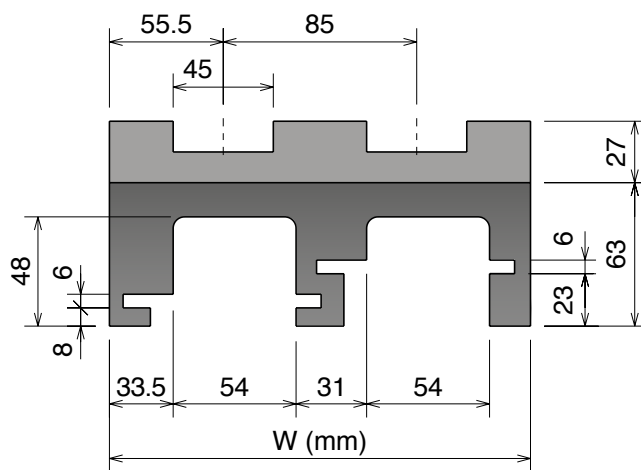
Kurve Basisbreite = 111 mm; Teilung = 85 mm



Available in **BluLub®**



SINGLE TRACK



MULTI TRACK

Upper part available, on request, also in **BluLub®** and for abrasive applications.

### MAGNETIC SYSTEM

| Part | Article-Nr. | Tracks | W   | Material                |
|------|-------------|--------|-----|-------------------------|
| 713  | 71316614    | 1      | 111 | Standard codes on table |
| 713  | 71316624    | 2      | 196 |                         |
| 713  | 71316634    | 3      | 281 | add "B" for BluLub®     |
| 713  | 71316644    | 4      | 366 |                         |
| 713  | 71316654    | 5      | 451 | add "C" for abrasive    |
| 713  | 71316664    | 6      | 536 |                         |
| 713  | 71316674    | 7      | 621 |                         |
| 713  | 71316684    | 8      | 706 |                         |

| Part | Article-Nr. | Tracks | W   | Material                |
|------|-------------|--------|-----|-------------------------|
| 713  | 71316614RS  | 1      | 111 | add "RS" for RS-version |
| 713  | 71316624RS  | 2      | 196 |                         |
| 713  | 71316634RS  | 3      | 281 |                         |
| 713  | 71316644RS  | 4      | 366 |                         |
| 713  | 71316654RS  | 5      | 451 |                         |
| 713  | 71316664RS  | 6      | 536 |                         |
| 713  | 71316674RS  | 7      | 621 |                         |
| 713  | 71316684RS  | 8      | 706 |                         |

# 879-880-881 M9 Series

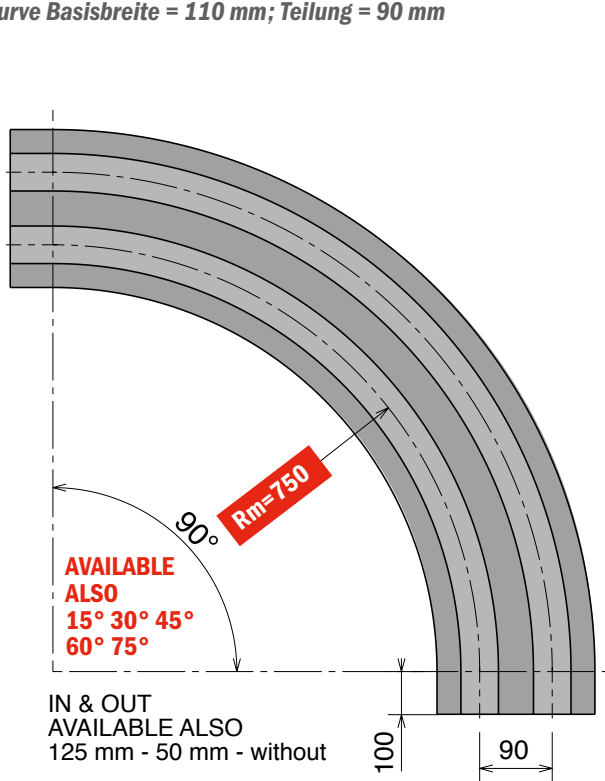
Curve magnetiche, Tab & Bevel / Magnetic, Tab & Bevel corner tracks / Kurvenführungen Magnet, Tab & Bevel Version

Materiale / Material / Materialien:  
 Polietilene UHMW-PE  
 Polyethylene UHMW-PE  
 Polyäthylen UHMW-PE

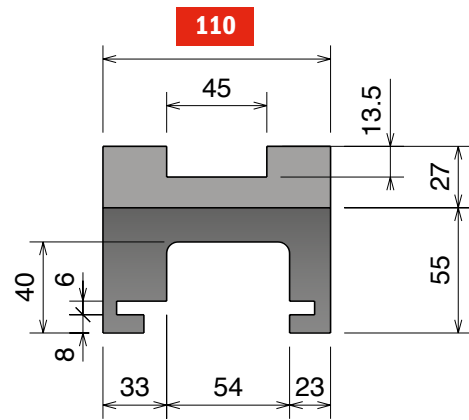
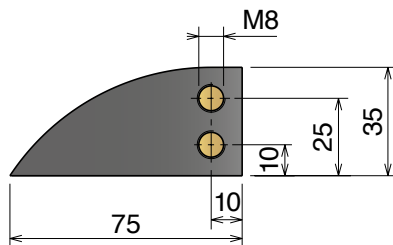
## 879-880-881 M9 Series

| Chain Reference | 879 M - K325 | 880 M - K325 | 880 M - K330 | 881 M - K325 | 881 M - K330 |
|-----------------|--------------|--------------|--------------|--------------|--------------|
|-----------------|--------------|--------------|--------------|--------------|--------------|

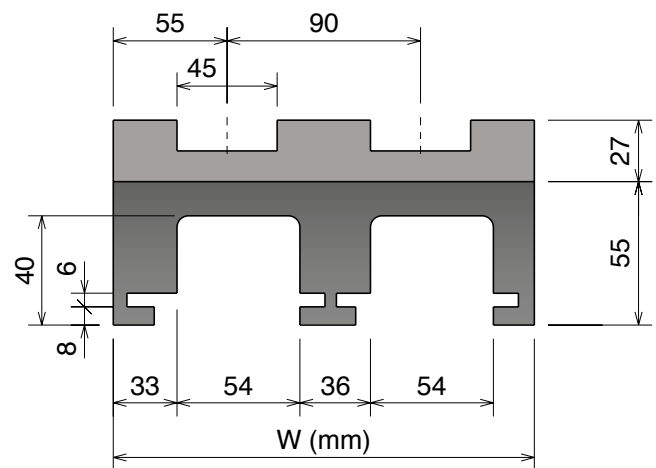
Curva Larghezza Base = 110 mm; Passo = 90 mm  
 Curve Basic Width = 110 mm; Pitch = 90 mm  
 Kurve Basisbreite = 110 mm; Teilung = 90 mm



Available in **BluLub®**



SINGLE TRACK



MULTI TRACK

Upper part available, on request, also in **BluLub®** and for abrasive applications.

### MAGNETIC SYSTEM

| Part | Article-Nr. | Tracks | W   | Material                |
|------|-------------|--------|-----|-------------------------|
| 714  | 71416614    | 1      | 110 | Standard codes on table |
| 714  | 71416624    | 2      | 200 |                         |
| 714  | 71416634    | 3      | 290 | add "B" for BluLub®     |
| 714  | 71416644    | 4      | 380 |                         |
| 714  | 71416654    | 5      | 470 | add "C" for abrasive    |
| 714  | 71416664    | 6      | 560 |                         |
| 714  | 71416674    | 7      | 650 |                         |
| 714  | 71416684    | 8      | 740 |                         |

| Part | Article-Nr. | Tracks | W   | Material                |
|------|-------------|--------|-----|-------------------------|
| 714  | 71416614RS  | 1      | 110 | add "RS" for RS-version |
| 714  | 71416624RS  | 2      | 200 |                         |
| 714  | 71416634RS  | 3      | 290 |                         |
| 714  | 71416644RS  | 4      | 380 |                         |
| 714  | 71416654RS  | 5      | 470 |                         |
| 714  | 71416664RS  | 6      | 560 |                         |
| 714  | 71416674RS  | 7      | 650 |                         |
| 714  | 71416684RS  | 8      | 740 |                         |

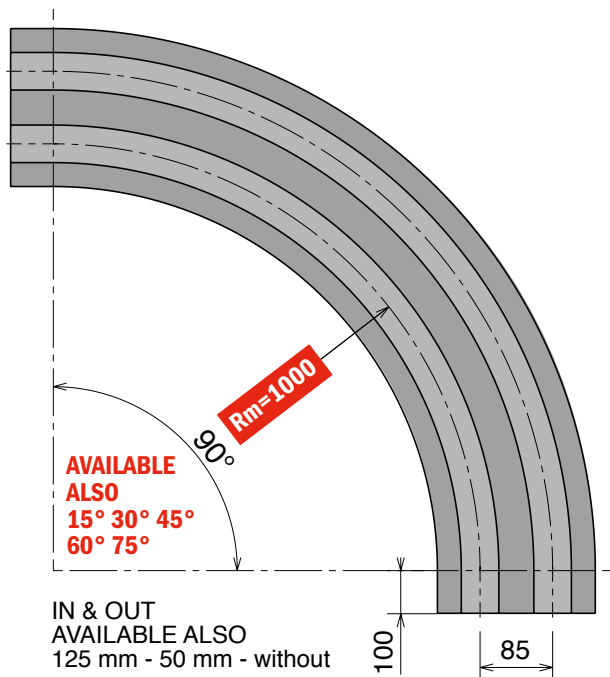
## 879-880-881 M43 Series

|                 |              |              |              |              |              |           |      |          |
|-----------------|--------------|--------------|--------------|--------------|--------------|-----------|------|----------|
| Chain Reference | 879 M - K325 | 880 M - K325 | 880 M - K330 | 881 M - K325 | 881 M - K330 | Delivery: | Easy | Standard |
|-----------------|--------------|--------------|--------------|--------------|--------------|-----------|------|----------|

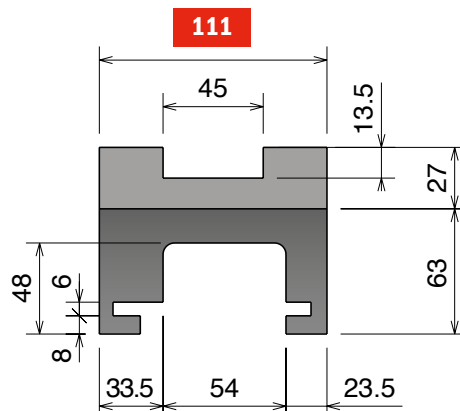
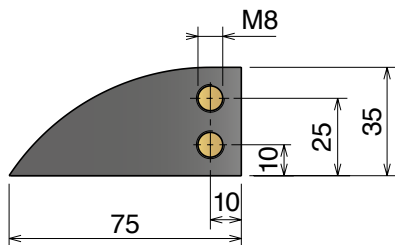
Curva Larghezza Base = 111 mm; Passo = 85 mm

Curve Basic Width = 111 mm; Pitch = 85 mm

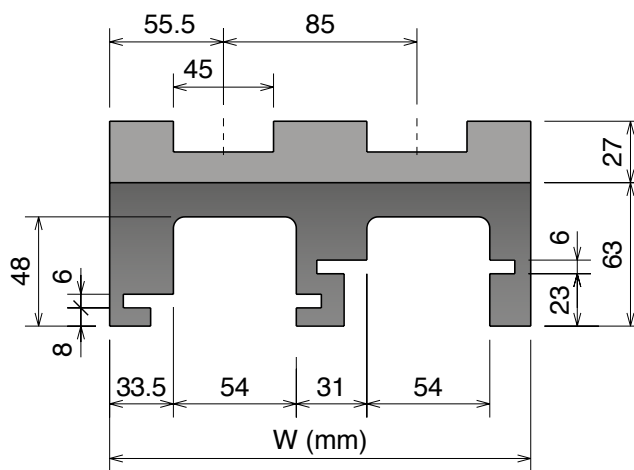
Kurve Basisbreite = 111 mm; Teilung = 85 mm



Available in **BluLub**®



SINGLE TRACK



W (mm)  
 MULTI TRACK

Upper part available, on request, also in **BluLub**® and for abrasive applications.

### MAGNETIC SYSTEM

| Part | Article-Nr. | Tracks | W   | Material                |
|------|-------------|--------|-----|-------------------------|
| 712  | 71219614    | 1      | 111 | Standard codes on table |
| 712  | 71219624    | 2      | 196 |                         |
| 712  | 71219634    | 3      | 281 | add "B" for BluLub®     |
| 712  | 71219644    | 4      | 366 |                         |
| 712  | 71219654    | 5      | 451 | add "C" for abrasive    |
| 712  | 71219664    | 6      | 536 |                         |
| 712  | 71219674    | 7      | 621 |                         |
| 712  | 71219684    | 8      | 706 |                         |

| Part | Article-Nr. | Tracks | W   | Material                |
|------|-------------|--------|-----|-------------------------|
| 712  | 71219614RS  | 1      | 111 | add "RS" for RS-version |
| 712  | 71219624RS  | 2      | 196 |                         |
| 712  | 71219634RS  | 3      | 281 |                         |
| 712  | 71219644RS  | 4      | 366 |                         |
| 712  | 71219654RS  | 5      | 451 |                         |
| 712  | 71219664RS  | 6      | 536 |                         |
| 712  | 71219674RS  | 7      | 621 |                         |
| 712  | 71219684RS  | 8      | 706 |                         |

# 879-880-881 K450 M21A Series

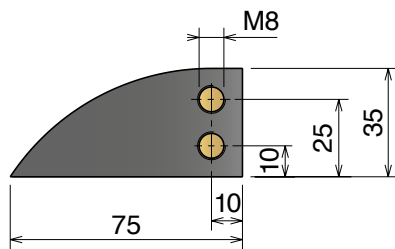
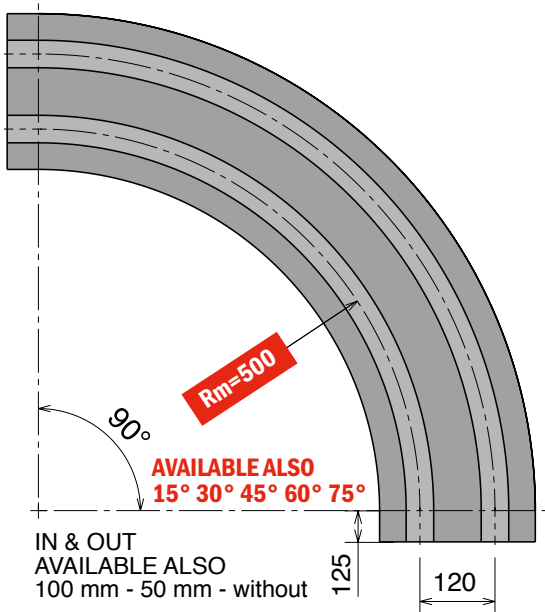
Curve magnetische, Tab & Bevel / Magnetic, Tab & Bevel corner tracks / Kurvenführungen Magnet, Tab & Bevel Version

Materiale / Material / Materialien:  
 Polietilene UHMW-PE  
 Polyethylene UHMW-PE  
 Polyäthylen UHMW-PE

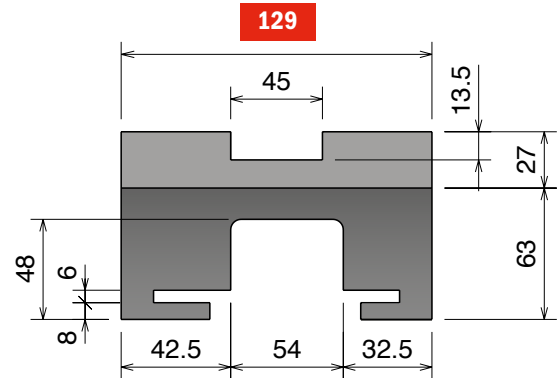
## 879-880-881 K450 M21A Series

Chain Reference    879 M - K450    880 M - K450    881 M - K450

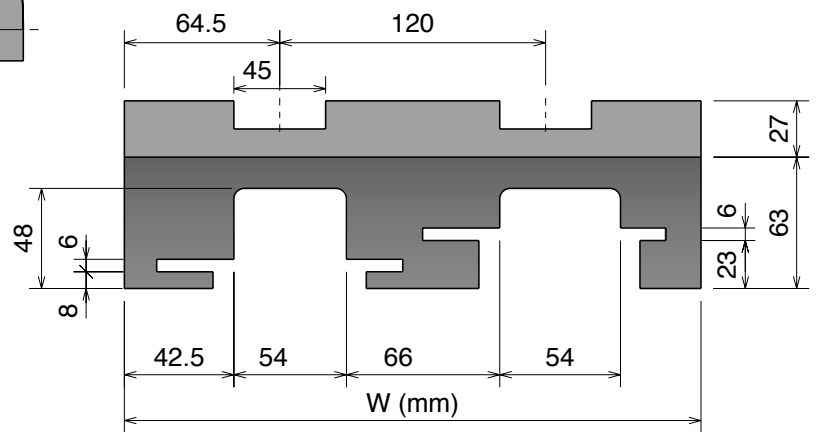
Curva Larghezza Base = 129 mm; Passo = 120 mm  
 Curve Basic Width = 129 mm; Pitch = 120 mm  
 Kurve Basisbreite = 129 mm; Teilung = 120 mm



Available in  
**BluLub®**



SINGLE TRACK



MULTI TRACK


Upper part available, on request,  
 also in **BluLub®**  
 and for abrasive applications.

### MAGNETIC SYSTEM

| Part | Article-Nr. | Tracks | W   | Material                      |
|------|-------------|--------|-----|-------------------------------|
| 715  | 71511615    | 1      | 129 | Standard codes<br>on table    |
| 715  | 71511625    | 2      | 249 |                               |
| 715  | 71511635    | 3      | 369 | add "B" for<br><b>BluLub®</b> |
| 715  | 71511645    | 4      | 489 |                               |
| 715  | 71511655    | 5      | 609 |                               |



add "C"  
 for abrasive

| Part | Article-Nr. | Tracks | W   | Material  |
|------|-------------|--------|-----|---|
| 715  | 71511615RS  | 1      | 129 |  <b>RS</b><br>add "RS" for<br>RS-version |
| 715  | 71511625RS  | 2      | 249 |   |
| 715  | 71511635RS  | 3      | 369 |   |
| 715  | 71511645RS  | 4      | 489 |   |
| 715  | 71511655RS  | 5      | 609 |   |

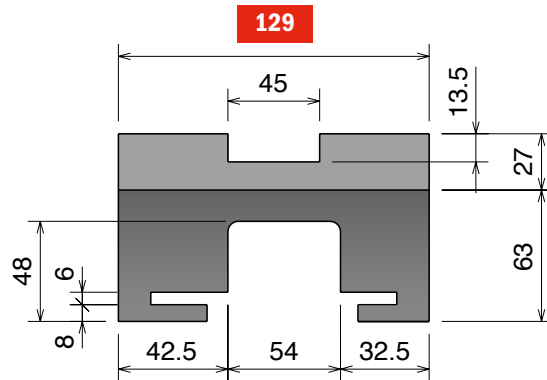
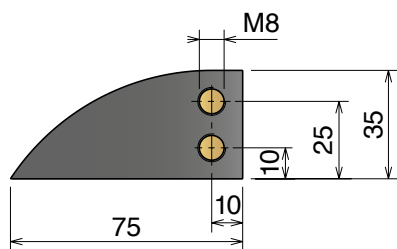
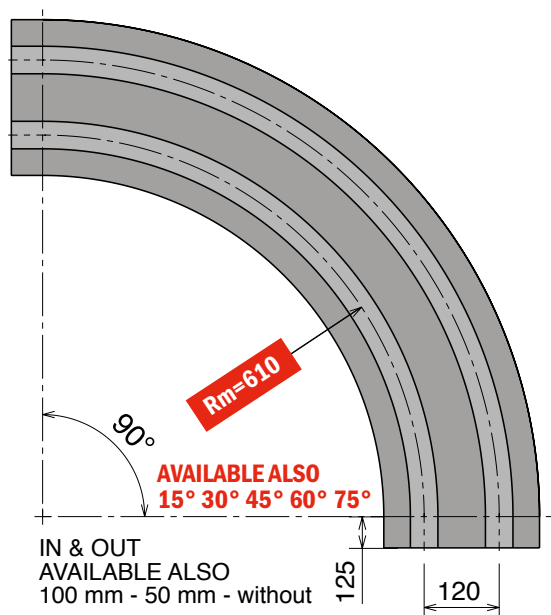
## 879-880-881 K450 M22A Series

| Chain Reference | 879 M - K450 | 880 M - K450 | 881 M - K450 |
|-----------------|--------------|--------------|--------------|
|-----------------|--------------|--------------|--------------|

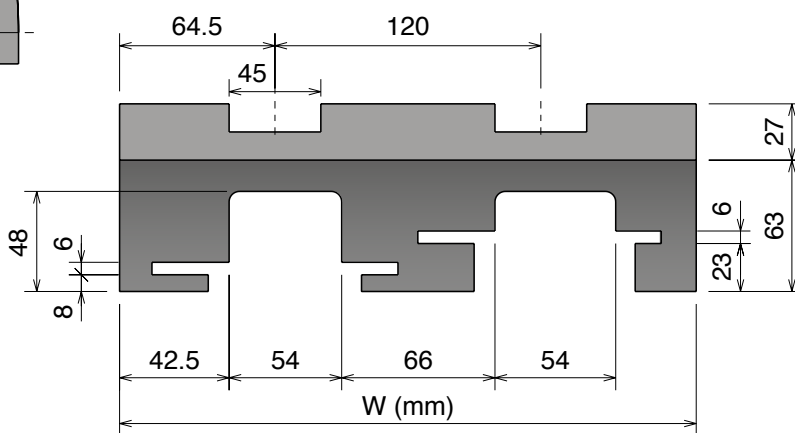
Curva Larghezza Base = 129 mm; Passo = 120 mm

Curve Basic Width = 129 mm; Pitch = 120 mm

Kurve Basisbreite = 129 mm; Teilung = 120 mm



SINGLE TRACK



MULTI TRACK



Available in **BluLub®**

Upper part available, on request, also in **BluLub®** and for abrasive applications.

### MAGNETIC SYSTEM

| Part | Article-Nr. | Tracks | W   | Material                |
|------|-------------|--------|-----|-------------------------|
| 704  | 70413615    | 1      | 129 | Standard codes on table |
| 704  | 70413625    | 2      | 249 |                         |
| 704  | 70413635    | 3      | 369 | add "B" for BluLub®     |
| 704  | 70413645    | 4      | 489 |                         |
| 704  | 70413655    | 5      | 609 | add "C" for abrasive    |
|      |             |        |     |                         |

| Part | Article-Nr. | Tracks | W   | Material                   |
|------|-------------|--------|-----|----------------------------|
| 704  | 70413615RS  | 1      | 129 | RS add "RS" for RS-version |
| 704  | 70413625RS  | 2      | 249 |                            |
| 704  | 70413635RS  | 3      | 369 |                            |
| 704  | 70413645RS  | 4      | 489 |                            |
| 704  | 70413655RS  | 5      | 609 |                            |

# 879-880-881 K450 M27 Series

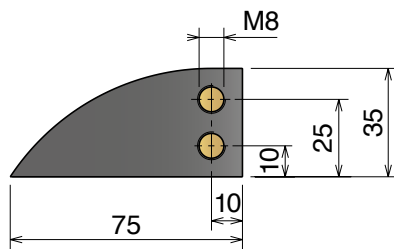
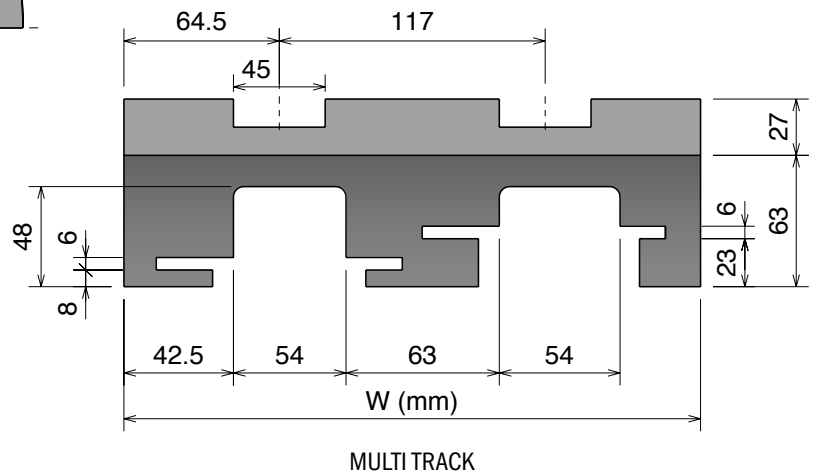
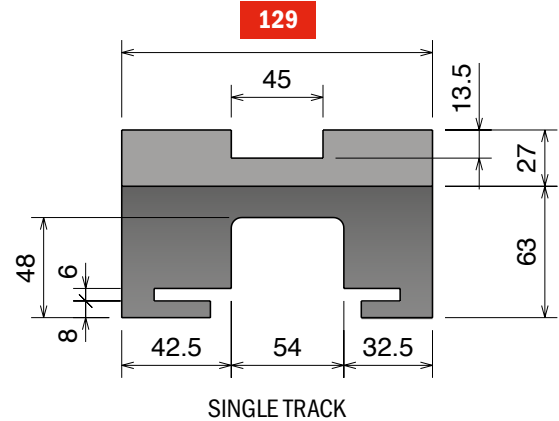
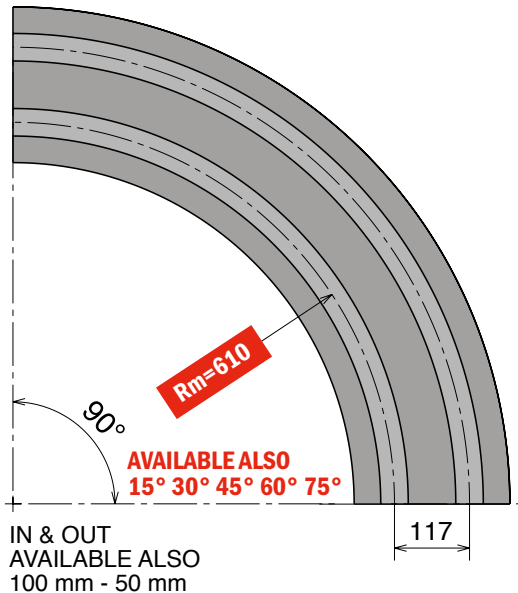
Curve magnetiche, Tab & Bevel / Magnetic, Tab & Bevel corner tracks / Kurvenführungen Magnet, Tab & Bevel Version

Materiale / Material / Materialien:  
 Polietilene UHMW-PE  
 Polyethylene UHMW-PE  
 Polyäthylen UHMW-PE

## 879-880-881 K450 M27 Series

Chain Reference    879 M - K450    880 M - K450    881 M - K450

Curva Larghezza Base = 129 mm; Passo = 117 mm  
 Curve Basic Width = 129 mm; Pitch = 117 mm  
 Kurve Basisbreite = 129 mm; Teilung = 117 mm



Available in  
**BluLub®**

Upper part available, on request,  
 also in **BluLub®**  
 and for abrasive applications.

### MAGNETIC SYSTEM

| Part | Article-Nr. | Tracks | W   | Material                |
|------|-------------|--------|-----|-------------------------|
| 731  | 73113610    | 1      | 129 | Standard codes on table |
| 731  | 73113620    | 2      | 246 |                         |
| 731  | 73113630    | 3      | 363 | add "B" for BluLub®     |
| 731  | 73113640    | 4      | 480 |                         |
| 731  | 73113650    | 5      | 597 | add "C" for abrasive    |
| 731  | 73113660    | 6      | 714 |                         |
| 731  | 73113670    | 7      | 831 |                         |
| 731  | 73113680    | 8      | 948 |                         |

| Part | Article-Nr. | Tracks | W   | Material                |
|------|-------------|--------|-----|-------------------------|
| 731  | 73113610RS  | 1      | 129 | add "RS" for RS-version |
| 731  | 73113620RS  | 2      | 246 |                         |
| 731  | 73113630RS  | 3      | 363 |                         |
| 731  | 73113640RS  | 4      | 480 |                         |
| 731  | 73113650RS  | 5      | 597 |                         |
| 731  | 73113660RS  | 6      | 714 |                         |
| 731  | 73113670RS  | 7      | 831 |                         |
| 731  | 73113680RS  | 8      | 948 |                         |



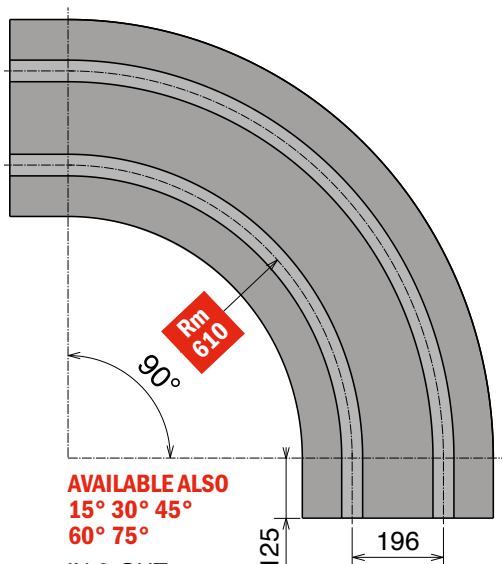
## 879-880-881 K750 M61 Series

| Chain Reference | 880 M - K750 | 881 M - K750 |
|-----------------|--------------|--------------|
|-----------------|--------------|--------------|

Curva Larghezza Base = 214 mm; Passo = 196 mm

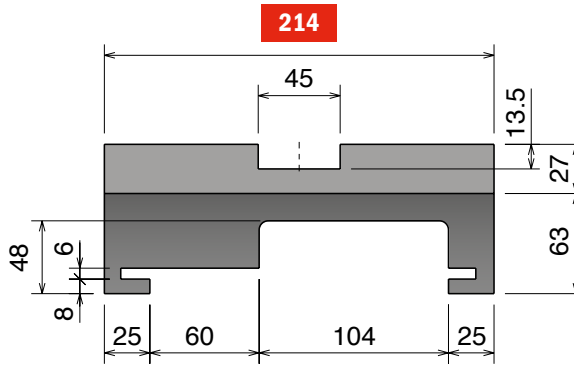
Curve Basic Width = 214 mm; Pitch = 196 mm

Kurve Basisbreite = 214 mm; Teilung = 196 mm

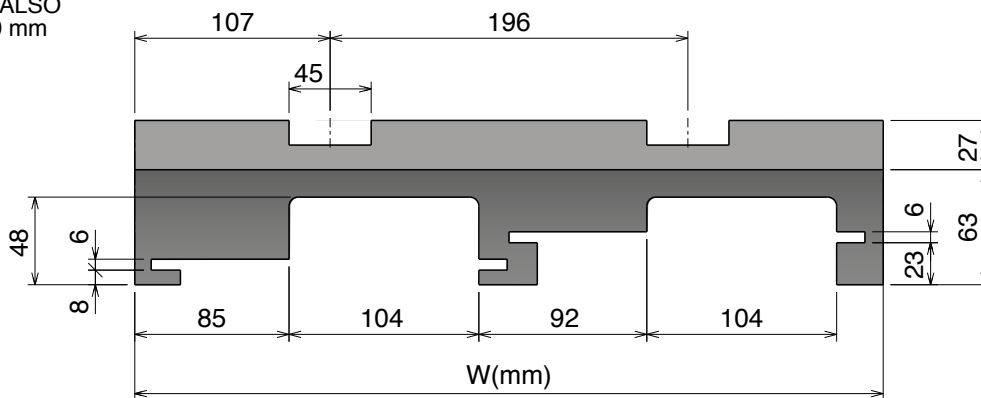


AVAILABLE ALSO  
 15° 30° 45°  
 60° 75°

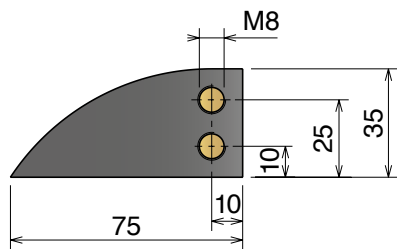
IN & OUT  
 AVAILABLE ALSO  
 100 mm - 50 mm  
 without



SINGLE TRACK




MULTI TRACK



Available in  
**BluLub®**

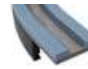
Upper part available, on request,  
 also in **BluLub®**  
 and for abrasive applications.

### MAGNETIC SYSTEM

| Part | Article-Nr. | Tracks | W   | Material  |
|------|-------------|--------|-----|---|
| 716  | 71613615    | 1      | 214 |  <b>Standard</b> codes<br>on table |
| 716  | 71613625    | 2      | 410 |   |
| 716  | 71613635    | 3      | 606 |   |

add "B" for  
**BluLub®**

add "C"  
 for abrasive

| Part | Article-Nr. | Tracks | W   | Material  |
|------|-------------|--------|-----|---|
| 716  | 71613615RS  | 1      | 214 |  <b>RS</b><br>add "RS" for<br>RS-version |
| 716  | 71613625RS  | 2      | 410 |   |
| 716  | 71613635RS  | 3      | 606 |   |

# 880-881 K750 M62/66/65 Series

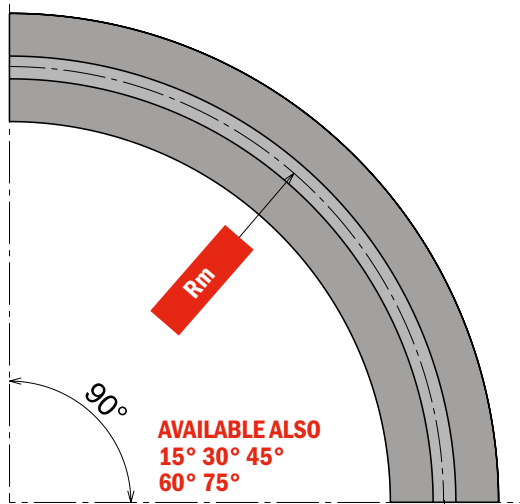
Curve magnetiche, Tab & Bevel / Magnetic, Tab & Bevel corner tracks / Kurvenführungen Magnet, Tab & Bevel Version

Materiale / Material / Materialien:  
 Polietilene UHMW-PE  
 Polyethylene UHMW-PE  
 Polyäthylen UHMW-PE

## 880-881 K750 M62/66/65 Series

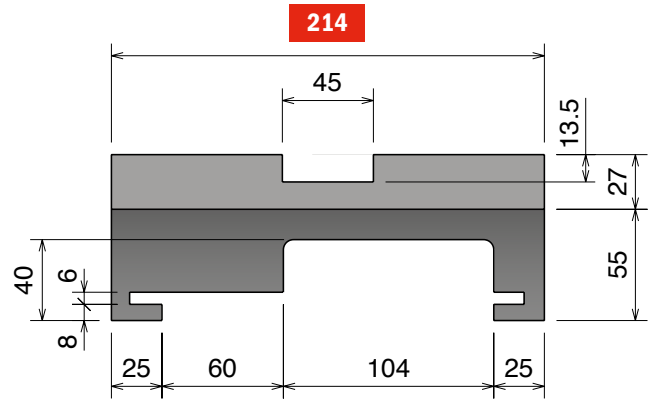
Chain Reference 880 M - K750 881 M - K750

Curva Larghezza Base = 214 mm  
 Curve Basic Width = 214 mm  
 Kurve Basisbreite = 214 mm

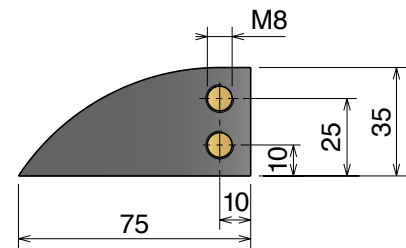


AVAILABLE ALSO  
 15° 30° 45°  
 60° 75°

IN & OUT  
 AVAILABLE ALSO  
 125 mm - 100 mm - 50 mm




Available in  
**BluLub®**



Upper part available, on request,  
 also in **BluLub®**  
 and for abrasive applications.

### MAGNETIC SYSTEM

| Part | Article-Nr. | Tracks | W   | R    | Material  |
|------|-------------|--------|-----|------|---|
| 707  | 70716610    | 1      | 214 | 750  |  <b>Standard</b> codes<br>on table |
| 707  | 70718610    | 1      | 214 | 860  |   |
| 707  | 70719610    | 1      | 214 | 1000 |   |

add "B" for  
**BluLub®**

add "C"  
 for abrasive

| Part | Article-Nr. | Tracks | W   | R    | Material  |
|------|-------------|--------|-----|------|---|
| 707  | 70716610RS  | 1      | 214 | 750  |  <b>RS</b><br>add "RS" for<br>RS-version |
| 707  | 70718610RS  | 1      | 214 | 860  |   |
| 707  | 70719610RS  | 1      | 214 | 1000 |   |

## 882 K750 M81 Series

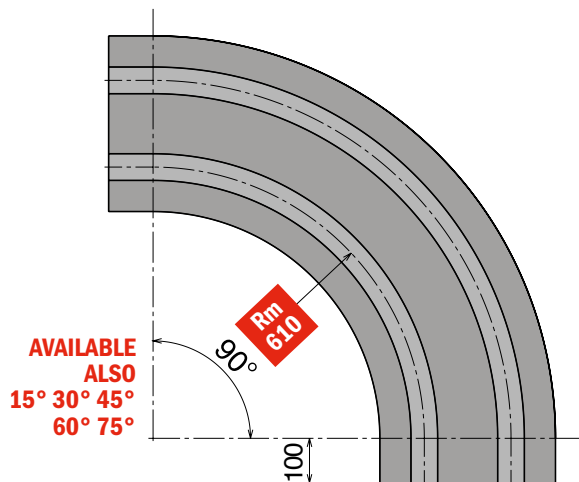
Chain Reference

882 M - K750

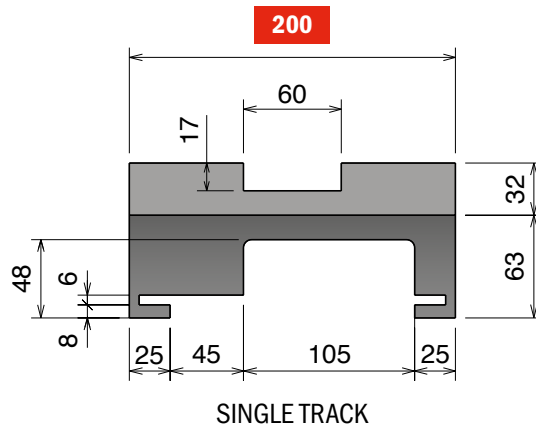
Curva Larghezza Base = 200 mm; Passo = 195 mm

Curve Basic Width = 200 mm; Pitch = 195 mm

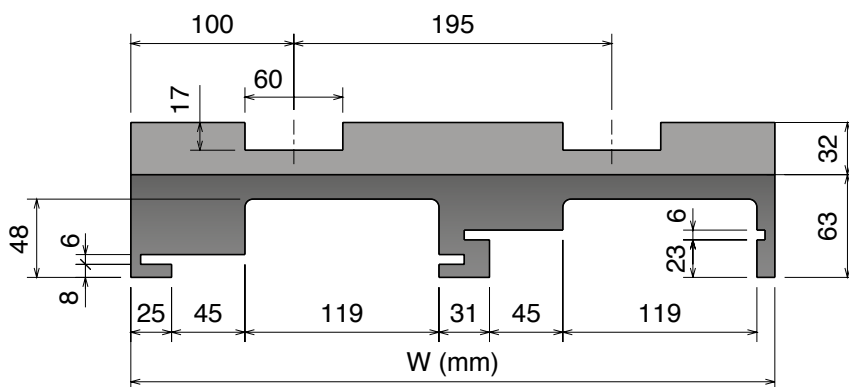
Kurve Basisbreite = 200 mm; Teilung = 195 mm



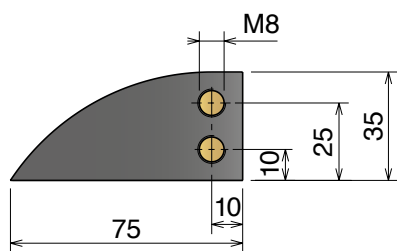
IN & OUT  
 AVAILABLE ALSO  
 125 mm - 50 mm - without



SINGLE TRACK



MULTI TRACK



Upper part available, on request,  
 also in **BluLub**®  
 and for abrasive applications.

### MAGNETIC SYSTEM

| Part | Article-Nr. | Tracks | W   | Material                |
|------|-------------|--------|-----|-------------------------|
| 717  | 71713614    | 1      | 200 | Standard codes on table |
| 717  | 71713624    | 2      | 395 |                         |
| 717  | 71713634    | 3      | 590 | add "B" for BluLub®     |
| 717  | 71713644    | 4      | 785 |                         |



Available in **BluLub**®

| Part | Article-Nr. | Tracks | W   | Material                |
|------|-------------|--------|-----|-------------------------|
| 717  | 71713614RS  | 1      | 200 | add "RS" for RS-version |
| 717  | 71713624RS  | 2      | 395 |                         |
| 717  | 71713634RS  | 3      | 590 |                         |
| 717  | 71713644RS  | 4      | 785 |                         |

# 882-8857 K750 M85 Series

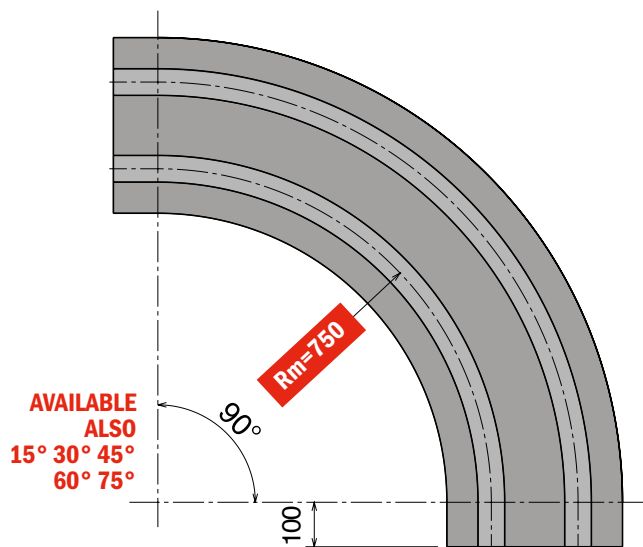
Curve magnetiche, Tab & Bevel / Magnetic, Tab & Bevel corner tracks / Kurvenführungen Magnet, Tab & Bevel Version

Materiale / Material / Materialien:  
 Polietilene UHMW-PE  
 Polyethylene UHMW-PE  
 Polyäthylen UHMW-PE

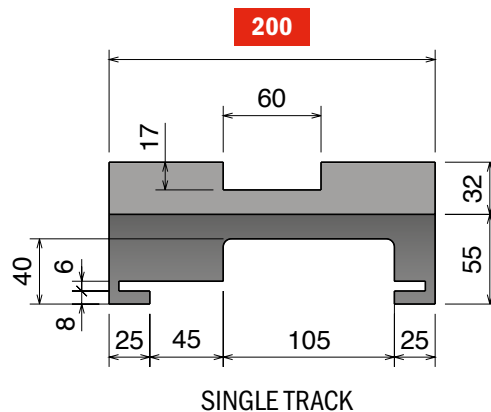
## 882-8857 K750 M85 Series

Chain Reference 882 M - K750 8857 M - K750

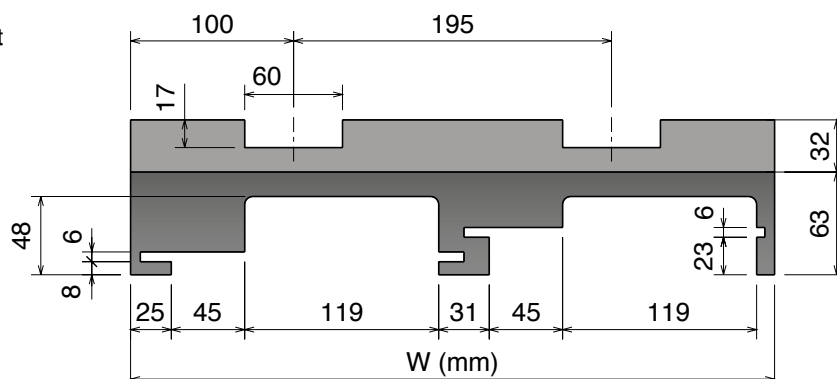
Curva Larghezza Base = 200 mm; Passo = 195 mm  
 Curve Basic Width = 200 mm; Pitch = 195 mm  
 Kurve Basisbreite = 200 mm; Teilung = 195 mm



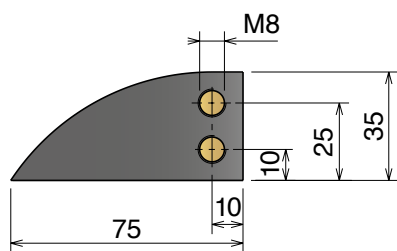
IN & OUT  
 AVAILABLE ALSO  
 125 mm - 50 mm - without



SINGLE TRACK




MULTI TRACK



Available in  
**BluLub®**

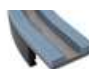
Upper part available, on request,  
 also in **BluLub®**  
 and for abrasive applications.

### MAGNETIC SYSTEM

| Part | Article-Nr. | Tracks | W   | Material  |
|------|-------------|--------|-----|---|
| 718  | 71816614    | 1      | 200 |  <b>Standard</b> codes<br>on table |
| 718  | 71816624    | 2      | 395 |   |
| 718  | 71816634    | 3      | 590 |   |

add "B" for  
**BluLub®**

add "C"  
 for abrasive

| Part | Article-Nr. | Tracks | W   | Material  |
|------|-------------|--------|-----|---|
| 718  | 71816614RS  | 1      | 200 |  <b>RS</b><br>add "RS" for<br>RS-version |
| 718  | 71816624RS  | 2      | 395 |   |
| 718  | 71816634RS  | 3      | 590 |   |

## 882-8857 K750 M86 Series

Chain Reference

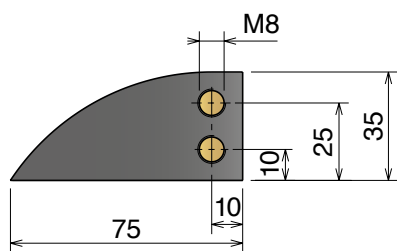
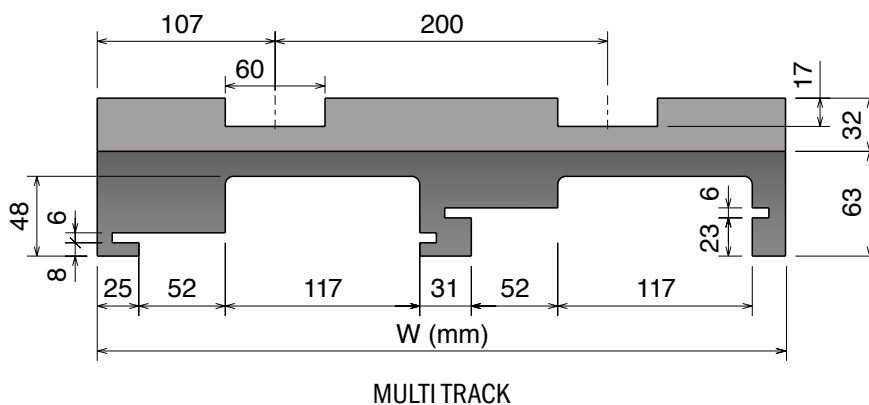
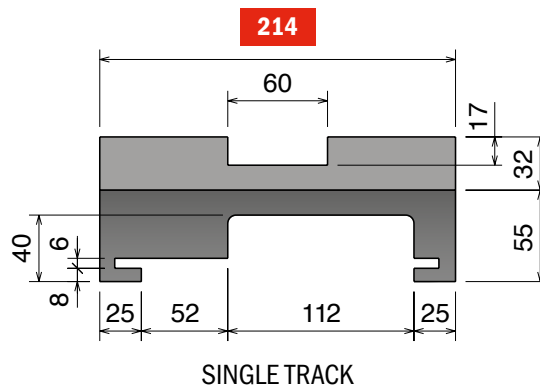
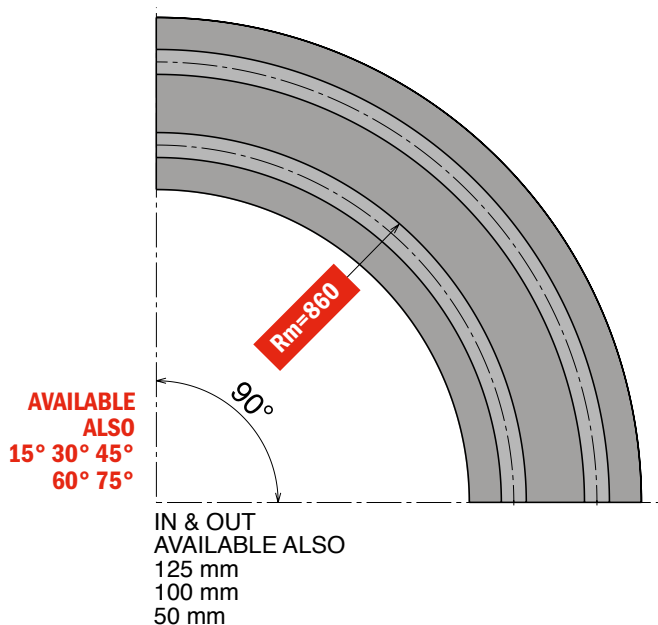
882 M - K750

8857 M - K750

Curva Larghezza Base = 214 mm; Passo = 200 mm

Curve Basic Width = 214 mm; Pitch = 200 mm


Kurve Basisbreite = 214 mm; Teilung = 200 mm



Available in  
**BluLub®**

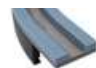
Upper part available, on request,  
 also in **BluLub®**  
 and for abrasive applications.

### MAGNETIC SYSTEM

| Part | Article-Nr. | Tracks | W   | Material  |
|------|-------------|--------|-----|---|
| 708  | 70818610    | 1      | 214 |  <b>Standard</b> codes<br>on table |
| 708  | 70818620    | 2      | 414 |   |
| 708  | 70818630    | 3      | 614 |   |

add "B" for  
**BluLub®**

add "C"  
 for abrasive

| Part | Article-Nr. | Tracks | W   | Material  |
|------|-------------|--------|-----|---|
| 708  | 70818610RS  | 1      | 214 |  <b>RS</b><br>add "RS" for<br>RS-version |
| 708  | 70818620RS  | 2      | 414 |   |
| 708  | 70818630RS  | 3      | 614 |   |

# 882-8857 K750 M80 Series

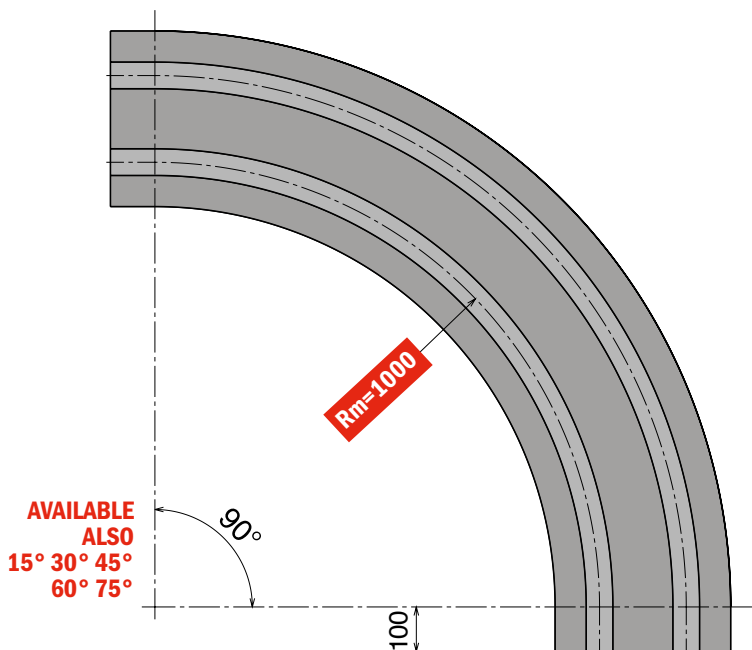
Curve magnetiche, Tab & Bevel / Magnetic, Tab & Bevel corner tracks / Kurvenführungen Magnet, Tab & Bevel Version

Materiale / Material / Materialien:  
 Polietilene UHMW-PE  
 Polyethylene UHMW-PE  
 Polyäthylen UHMW-PE

## 882-8857 K750 M80 Series

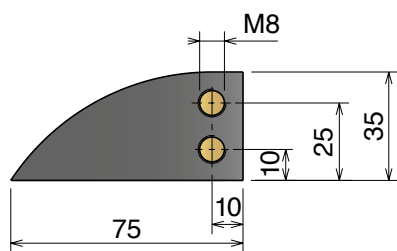
Chain Reference 882 M - K750 8857 M - K750

Curva Larghezza Base = 200 mm; Passo = 195 mm  
 Curve Basic Width = 200 mm; Pitch = 195 mm  
 Kurve Basisbreite = 200 mm; Teilung = 195 mm

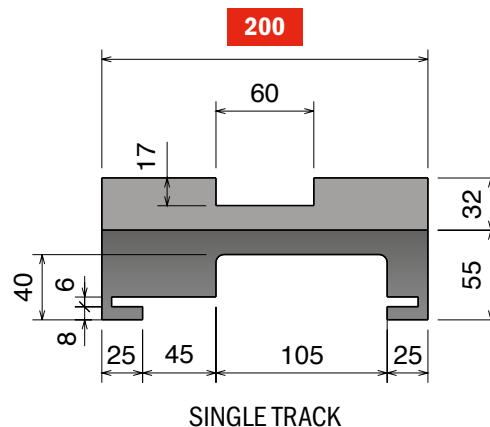


AVAILABLE ALSO  
 15° 30° 45°  
 60° 75°

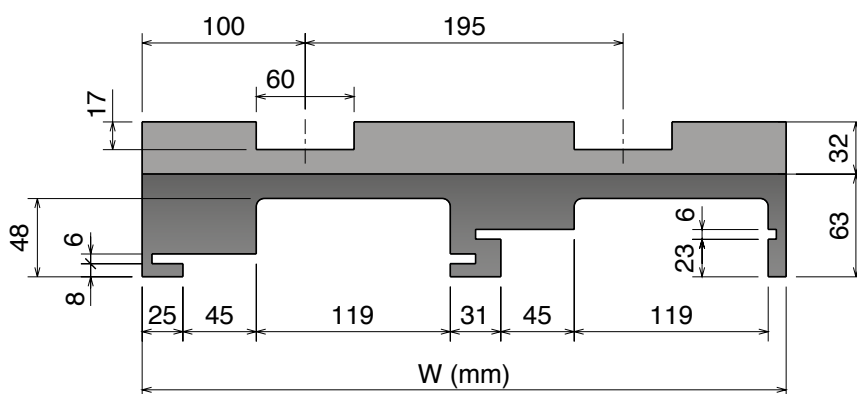
IN & OUT  
 AVAILABLE ALSO  
 125 mm - 50 mm - without



Available in  
**BluLub®**




SINGLE TRACK



MULTI TRACK

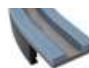
Upper part available, on request,  
 also in **BluLub®**  
 and for abrasive applications.

### MAGNETIC SYSTEM

| Part | Article-Nr. | Tracks | W   | Material  |
|------|-------------|--------|-----|---|
| 719  | 71919614    | 1      | 200 |  <b>Standard</b> codes<br>on table |
| 719  | 71919624    | 2      | 395 |   |
| 719  | 71919634    | 3      | 590 |   |

add "B" for  
**BluLub®**

add "C"  
 for abrasive

| Part | Article-Nr. | Tracks | W   | Material  |
|------|-------------|--------|-----|---|
| 719  | 71919614RS  | 1      | 200 |  <b>RS</b><br>add "RS" for<br>RS-version |
| 719  | 71919624RS  | 2      | 395 |   |
| 719  | 71919634RS  | 3      | 590 |   |

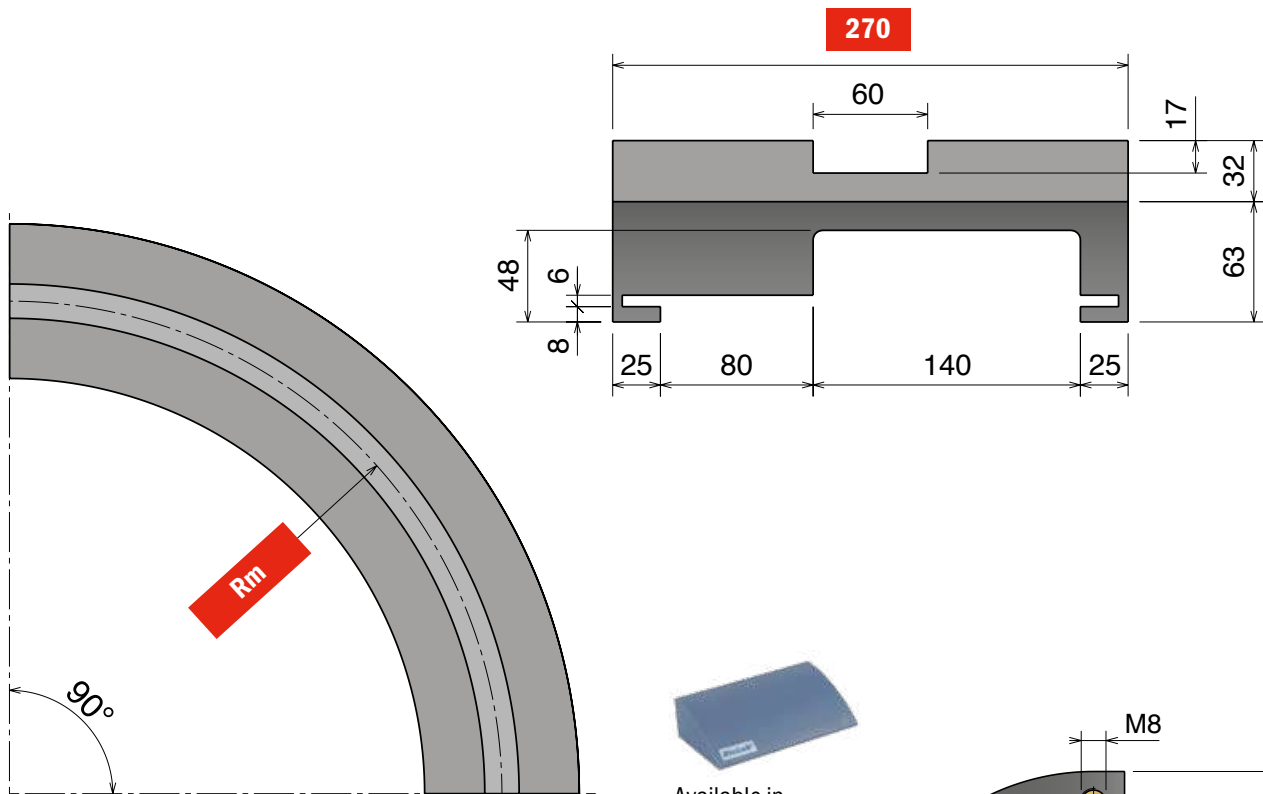
## 882 M K1000 M93/M94 Series

Chain Reference 882 M - K1000

Curva Larghezza Base = 270 mm

Curve Basic Width = 270 mm

Kurve Basisbreite = 270 mm

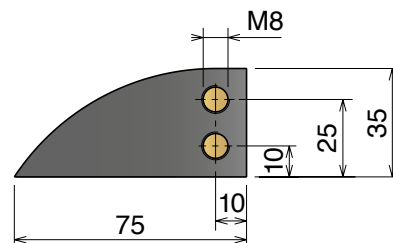


**AVAILABLE ALSO**  
 15° 30° 45°  
 60° 75°

**IN & OUT AVAILABLE ALSO**  
 125 mm - 100 mm - 50 mm




Available in **BluLub®**



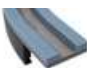
Upper part available, on request, also in **BluLub®** and for abrasive applications.

### MAGNETIC SYSTEM

| Part | Article-Nr. | Tracks | Rm   | W   | Material   |
|------|-------------|--------|------|-----|--|
| 709  | 70918610    | 1      | 860  | 270 |  <b>Standard</b> codes on table |
| 709  | 70919610    | 1      | 1000 | 270 |  |

add "**B**" for **BluLub®**

add "**C**" for abrasive

| Part | Article-Nr. | Tracks | Rm   | W   | Material   |
|------|-------------|--------|------|-----|--|
| 709  | 70918610RS  | 1      | 860  | 270 |  <b>RS</b> add " <b>RS</b> " for RS-version |
| 709  | 70919610RS  | 1      | 1000 | 270 |  |

# 882 M K1200 M97/M98 Series

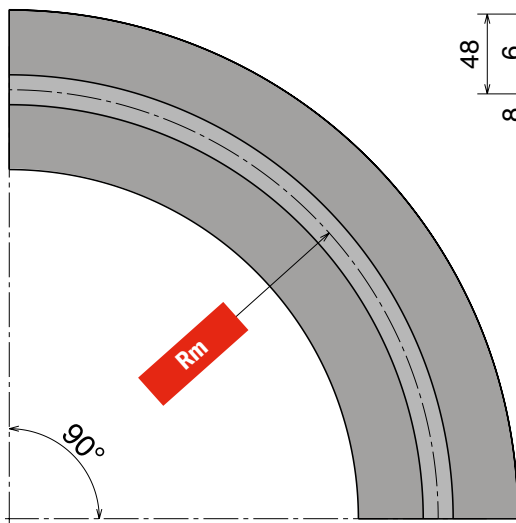
Curve magnetiche, Tab & Bevel / Magnetic, Tab & Bevel corner tracks / Kurvenführungen Magnet, Tab & Bevel Version

Materiale / Material / Materialien:  
 Polietilene UHMW-PE  
 Polyethylene UHMW-PE  
 Polyäthylen UHMW-PE

## 882 M K1200 M97/M98 Series

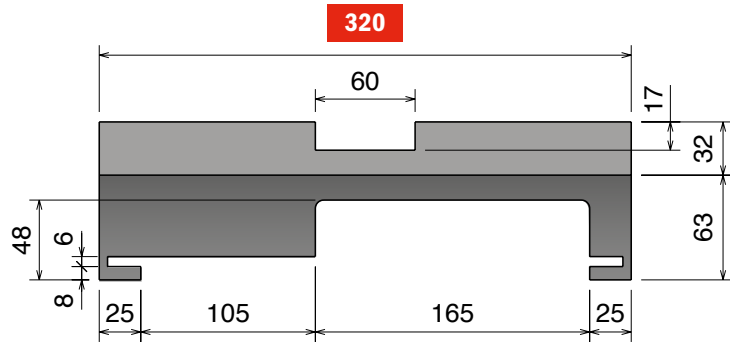
Chain Reference 882 M - K1200

Curva Larghezza Base = 320 mm  
 Curve Basic Width = 320 mm  
 Kurve Basisbreite = 320 mm

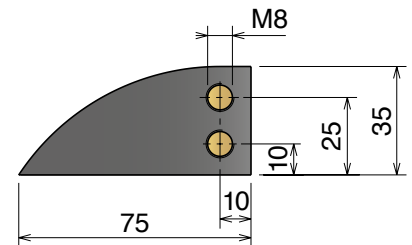


AVAILABLE  
 ALSO  
 15° 30° 45°  
 60° 75°

IN & OUT  
 AVAILABLE ALSO  
 125 mm - 100 mm - 50 mm




Available in  
**BluLub®**




Upper part available, on request,  
 also in **BluLub®**  
 and for abrasive applications.

### MAGNETIC SYSTEM

| Part | Article-Nr. | Tracks | Rm   | W   | Material   |
|------|-------------|--------|------|-----|--|
| 710  | 71018610    | 1      | 860  | 320 |  <b>Standard</b> codes on table |
| 710  | 71019610    | 1      | 1000 | 320 |  |

add "B" for **BluLub®**

add "C" for abrasive

| Part | Article-Nr. | Tracks | Rm   | W   | Material  |
|------|-------------|--------|------|-----|---|
| 710  | 71018610RS  | 1      | 860  | 320 |  <b>RS</b> add "RS" for RS-version |
| 710  | 71019610RS  | 1      | 1000 | 320 |   |



**Materiale / Material / Materialien:**  
 Polietilene UHMW-PE  
 Polyethylene UHMW-PE  
 Polyäthylen UHMW-PE

# 882 LBP K750 MP861 Series

Curve magnetiche, Tab & Bevel / Magnetic, Tab & Bevel corner tracks / Kurvenführungen Magnet, Tab & Bevel Version

## 882 LBP K750 MP861 Series

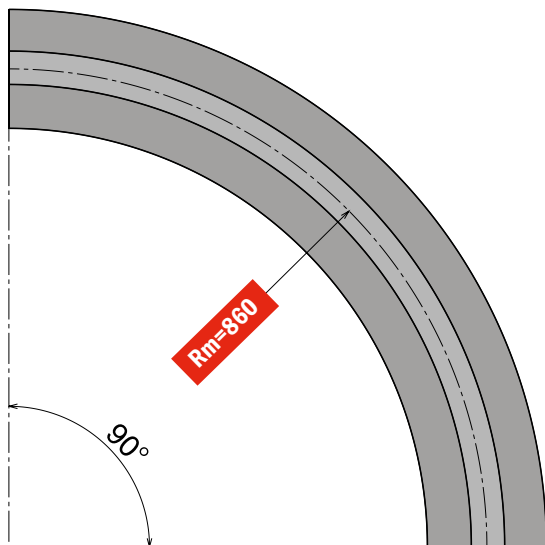
Chain Reference

882 M LBP - K750

Curva Larghezza Base = 214 mm

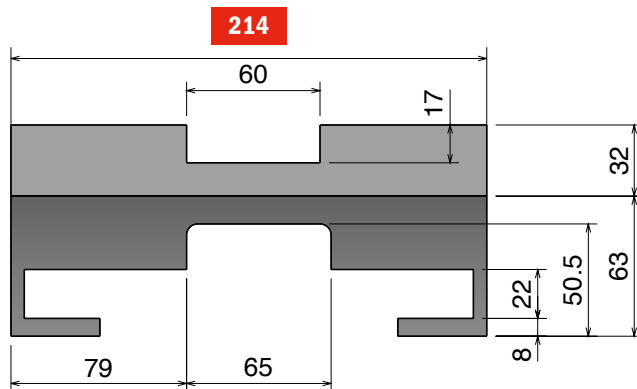
Curve Basic Width = 214 mm

Kurve Basisbreite = 214 mm

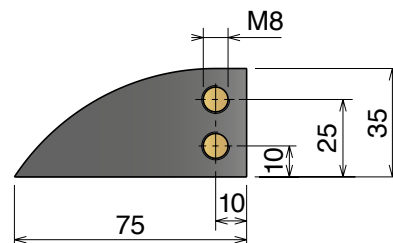


**AVAILABLE ALSO**  
 15° 30° 45°  
 60° 75°

IN & OUT  
 AVAILABLE ALSO  
 125 mm - 100 mm - 50 mm



Available in  
**BluLub**



Upper part available, on request,  
 also in **BluLub**  
 and for abrasive applications.

### MAGNETIC SYSTEM

| Part | Article-Nr. | Tracks | W   | Material                |
|------|-------------|--------|-----|-------------------------|
| 781  | 78118610    | 1      | 214 | Standard codes on table |



add "B" for  
**BluLub**

add "C" for  
 abrasive

| Part | Article-Nr. | Tracks | W   | Material |
|------|-------------|--------|-----|----------|
| 781  | 78118610RS  | 1      | 270 | RS       |



add "RS" for  
 RS-version

# 882 LBP K1000 MP931/MP941 Series

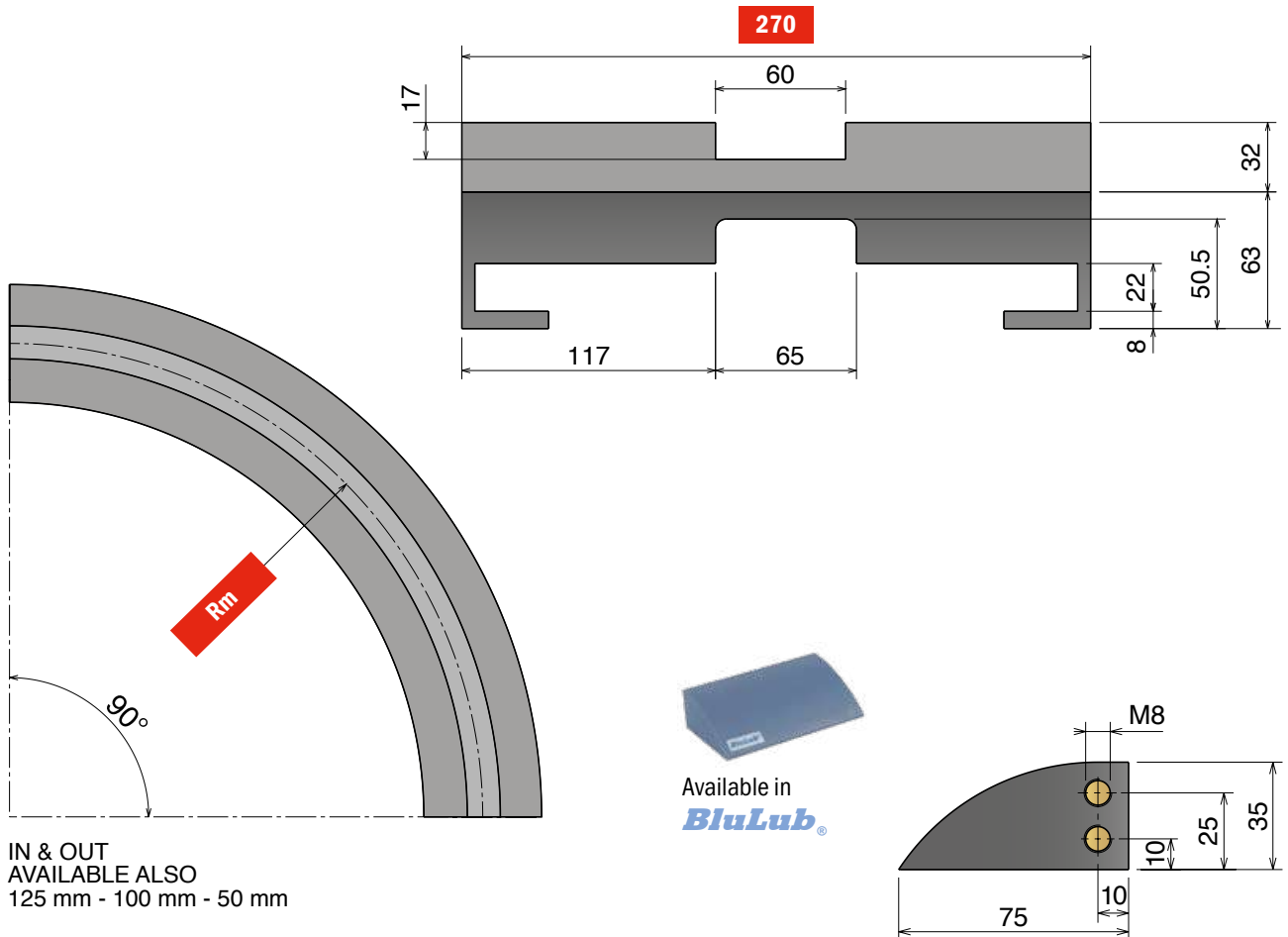
Curve magnetiche, Tab & Bevel / Magnetic, Tab & Bevel corner tracks / Kurvenführungen Magnet, Tab & Bevel Version

Materiale / Material / Materialien:  
 Polietilene UHMW-PE  
 Polyethylene UHMW-PE  
 Polyäthylen UHMW-PE

## 882 LBP K1000 MP931/MP941 Series

Chain Reference 882 M LBP - K1000

Curva Larghezza Base = 270 mm  
 Curve Basic Width = 270 mm  
 Kurve Basisbreite = 270 mm



IN & OUT  
 AVAILABLE ALSO  
 125 mm - 100 mm - 50 mm

### MAGNETIC SYSTEM

Upper part available, on request,  
 also in **BluLub®**  
 and for abrasive applications.

### MP931 Series

| Part     | α 15°                   | α 30°    | α 45°                      | α 60°    | α 75°                | α 90°    | Tracks                          | R   | W   |
|----------|-------------------------|----------|----------------------------|----------|----------------------|----------|---------------------------------|-----|-----|
| 784      | 78418110                | 78418210 | 78418310                   | 78418410 | 78418510             | 78418610 | 1                               | 860 | 270 |
| Material | Standard codes on table |          | add "B" for <b>BluLub®</b> |          | add "C" for abrasive |          | add "RS" for <b>RS</b> -version |     |     |

### MP941 Series

| Part     | α 15°                   | α 30°    | α 45°                      | α 60°    | α 75°                | α 90°    | Tracks                          | R    | W   |
|----------|-------------------------|----------|----------------------------|----------|----------------------|----------|---------------------------------|------|-----|
| 784      | 78419110                | 78419210 | 78419310                   | 78419410 | 78419510             | 78419610 | 1                               | 1000 | 270 |
| Material | Standard codes on table |          | add "B" for <b>BluLub®</b> |          | add "C" for abrasive |          | add "RS" for <b>RS</b> -version |      |     |

## 882 LBP K1000 MP91 Series

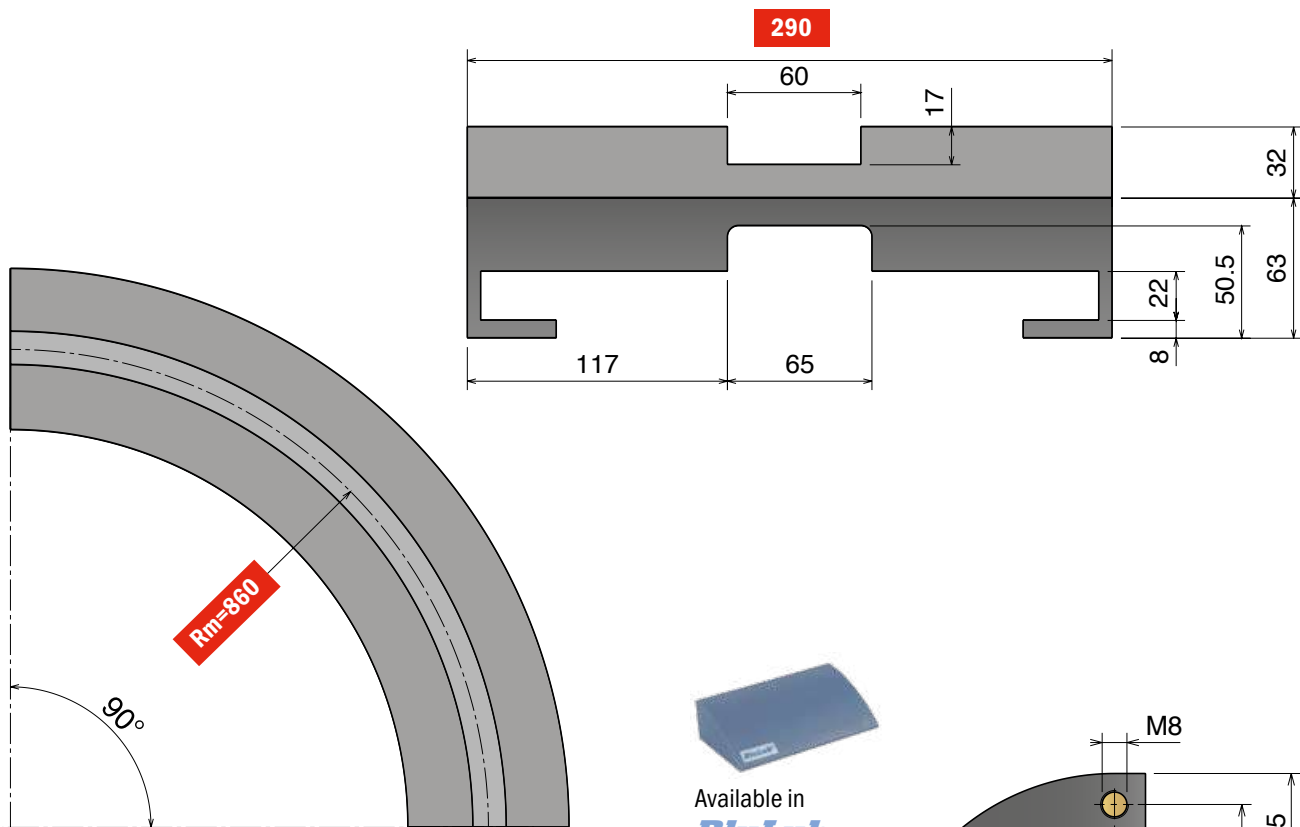
Chain Reference

882 M LBP - K1000

Curva Larghezza Base = 290 mm

Curve Basic Width = 290 mm

Kurve Basisbreite = 290 mm

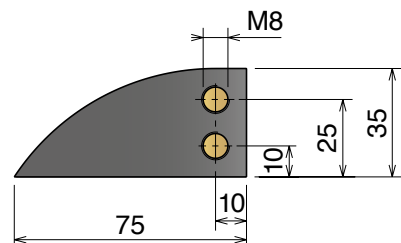


AVAILABLE  
 ALSO  
 15° 30° 45°  
 60° 75°

IN & OUT  
 AVAILABLE ALSO  
 125 mm - 100 mm - 50 mm




Available in  
**BluLub®**



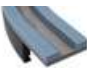
Upper part available, on request,  
 also in **BluLub®**  
 and for abrasive applications.

### MAGNETIC SYSTEM

| Part | Article-Nr. | Tracks | W   | Material   |
|------|-------------|--------|-----|--|
| 782  | 78218610    | 1      | 290 |  <b>Standard</b> codes on table |

add "B" for **BluLub®**

add "C" for abrasive

| Part | Article-Nr. | Tracks | W   | Material  |
|------|-------------|--------|-----|---|
| 782  | 78218610RS  | 1      | 290 |  <b>RS</b> |

add "RS" for RS-version

# 882 LBP K1200 MP971/MP981 Series

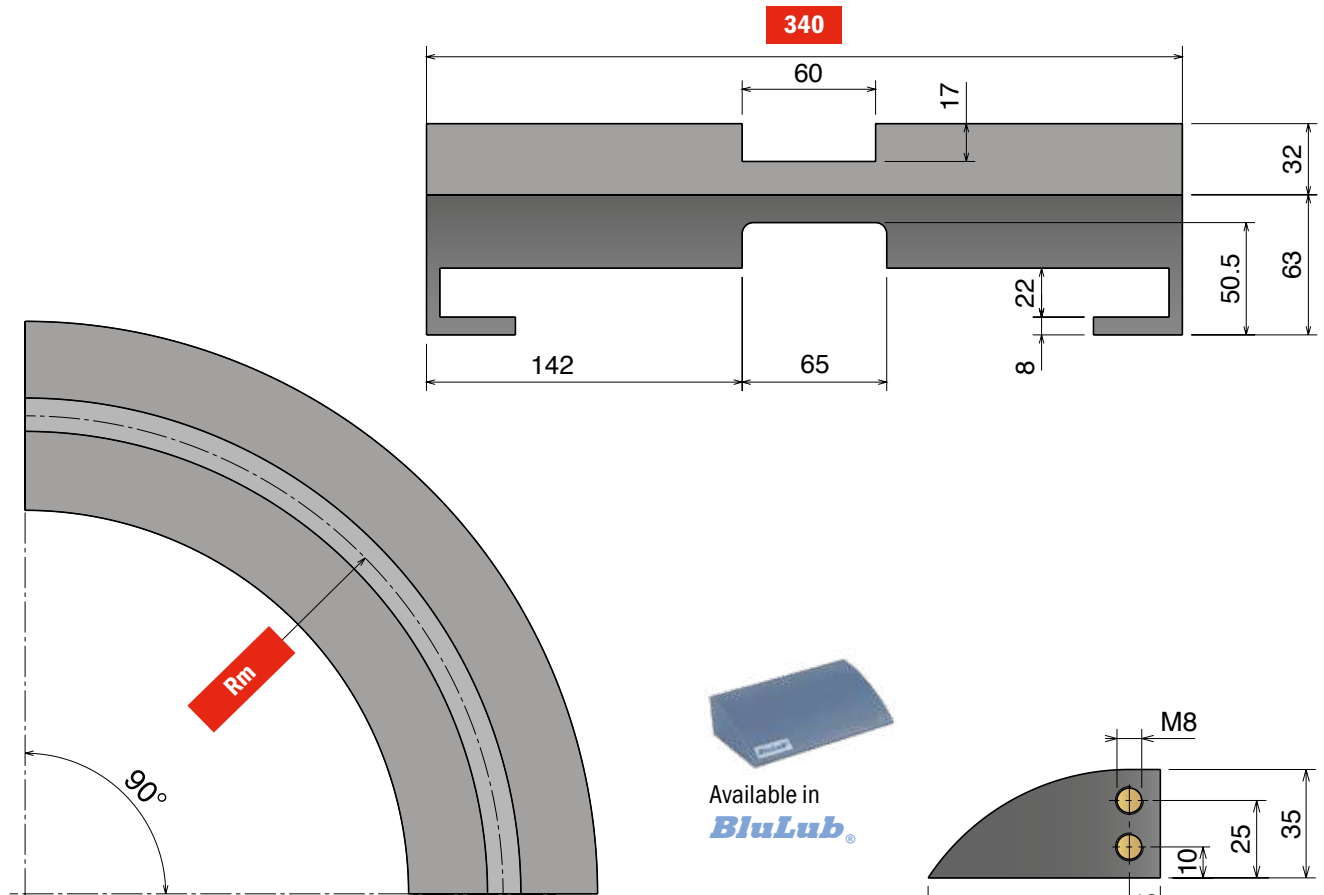
Curve magnetiche, Tab & Bevel / Magnetic, Tab & Bevel corner tracks / Kurvenführungen Magnet, Tab & Bevel Version

Materiale / Material / Materialien:  
 Polietilene UHMW-PE  
 Polyethylene UHMW-PE  
 Polyäthylen UHMW-PE

## 882 LBP K1200 MP971/MP981 Series

Chain Reference 882 M LBP - K1200

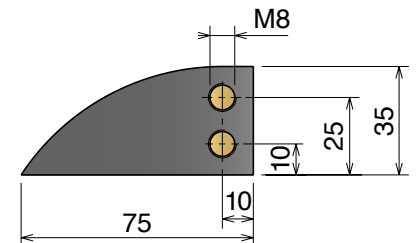
Curva Larghezza Base = 340 mm  
 Curve Basic Width = 340 mm  
 Kurve Basisbreite = 340 mm



**AVAILABLE ALSO**  
 15° 30° 45°  
 60° 75°


IN & OUT  
 AVAILABLE ALSO  
 125 mm - 100 mm - 50 mm

Available in  
**BluLub®**



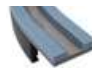
Upper part available, on request,  
 also in **BluLub®**  
 and for abrasive applications.

### MAGNETIC SYSTEM

| Part | Article-Nr. | Tracks | Rm   | W   | Material  |
|------|-------------|--------|------|-----|---|
| 783  | 78318610    | 1      | 860  | 340 |  <b>Standard</b> codes<br>on table |
| 783  | 78319610    | 1      | 1000 | 340 |   |

add "B" for  
**BluLub®**

add "C"  
 for abrasive

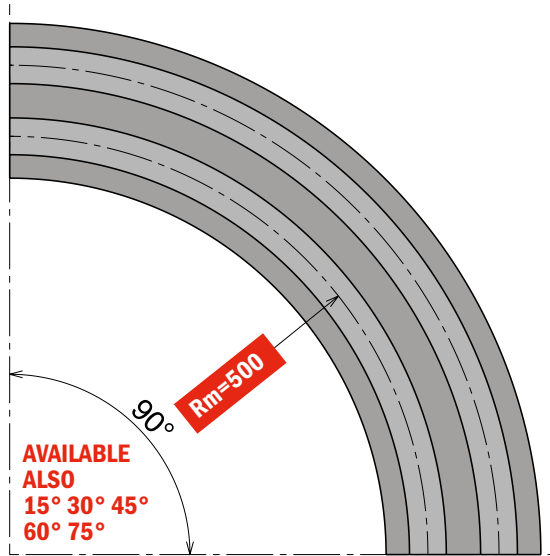
| Part | Article-Nr. | Tracks | Rm   | W   | Material  |
|------|-------------|--------|------|-----|---|
| 783  | 78318610RS  | 1      | 860  | 340 |  <b>RS</b><br>add "RS" for<br>RS-version |
| 783  | 78319610RS  | 1      | 1000 | 340 |   |

## 260 M MB7 Series

Chain Reference

260 M - K330

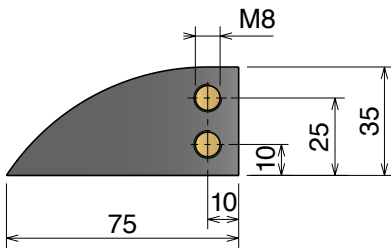
Curva Larghezza Base = 100 mm; Passo = 85 mm  
 Curve Basic Width = 100 mm; Pitch = 85 mm  
 Kurve Basisbreite = 100 mm; Teilung = 85 mm



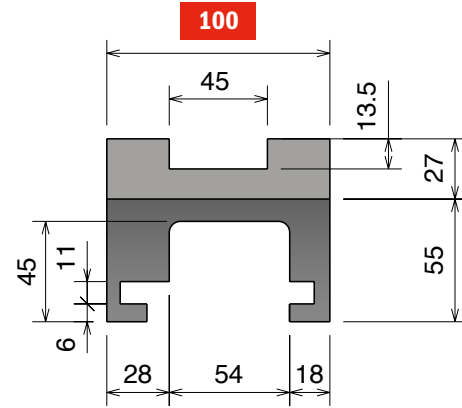
AVAILABLE ALSO  
 15° 30° 45°  
 60° 75°

IN & OUT  
 AVAILABLE ALSO  
 125 mm - 100 mm - 50 mm

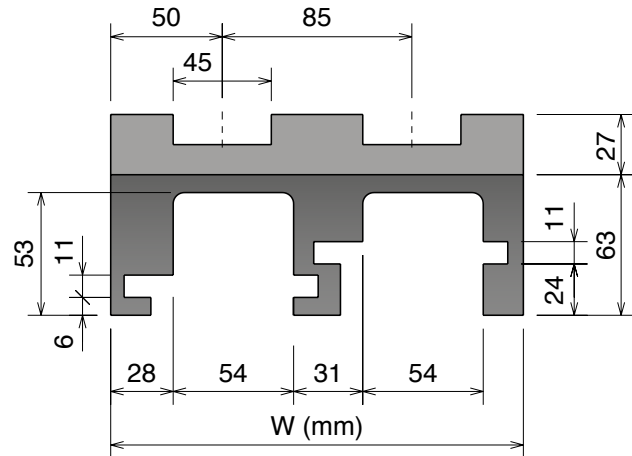
85



Available in  
**BluLub®**



SINGLE TRACK



MULTI TRACK

Upper part available, on request,  
 also in **BluLub®**  
 and for abrasive applications.

### MAGNETIC SYSTEM

| Part | Article-Nr. | Tracks | W   | Material                |
|------|-------------|--------|-----|-------------------------|
| 705  | 70511610    | 1      | 100 | Standard codes on table |
| 705  | 70511620    | 2      | 185 |                         |
| 705  | 70511630    | 3      | 270 | add "B" for BluLub®     |
| 705  | 70511640    | 4      | 355 |                         |
| 705  | 70511650    | 5      | 440 | add "C" for abrasive    |
| 705  | 70511660    | 6      | 525 |                         |
| 705  | 70511670    | 7      | 610 |                         |
| 705  | 70511680    | 8      | 695 |                         |

| Part | Article-Nr. | Tracks | W   | Material                |
|------|-------------|--------|-----|-------------------------|
| 705  | 70511610RS  | 1      | 100 | add "RS" for RS-version |
| 705  | 70511620RS  | 2      | 185 |                         |
| 705  | 70511630RS  | 3      | 270 |                         |
| 705  | 70511640RS  | 4      | 355 |                         |
| 705  | 70511650RS  | 5      | 440 |                         |
| 705  | 70511660RS  | 6      | 525 |                         |
| 705  | 70511670RS  | 7      | 610 |                         |
| 705  | 70511680RS  | 8      | 695 |                         |

# 260 M MB6 Series

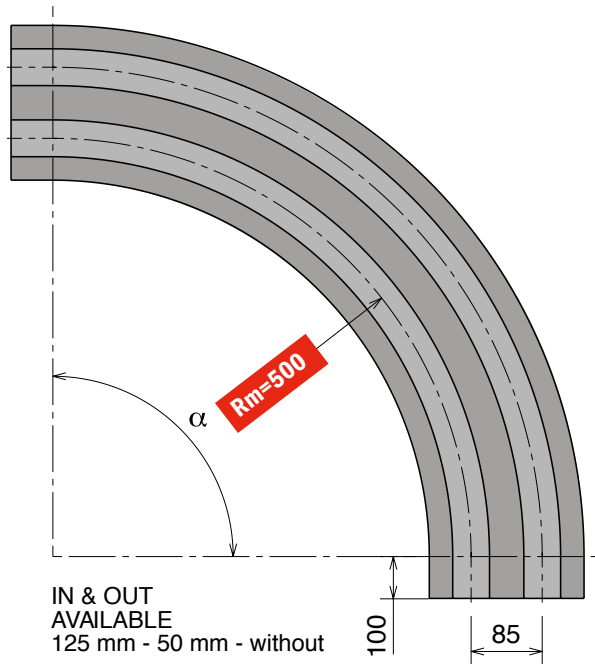
Curve magnetiche, Tab & Bevel / Magnetic, Tab & Bevel corner tracks / Kurvenführungen Magnet, Tab & Bevel Version

Materiale / Material / Materialien:  
 Polietilene UHMW-PE  
 Polyethylene UHMW-PE  
 Polyäthylen UHMW-PE

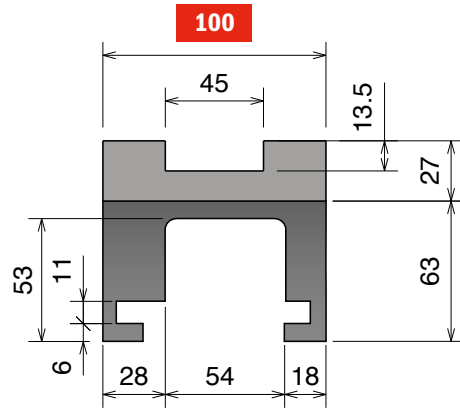
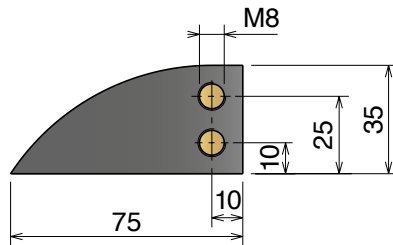
## 260 M MB6 Series

Chain Reference 260 M - K330

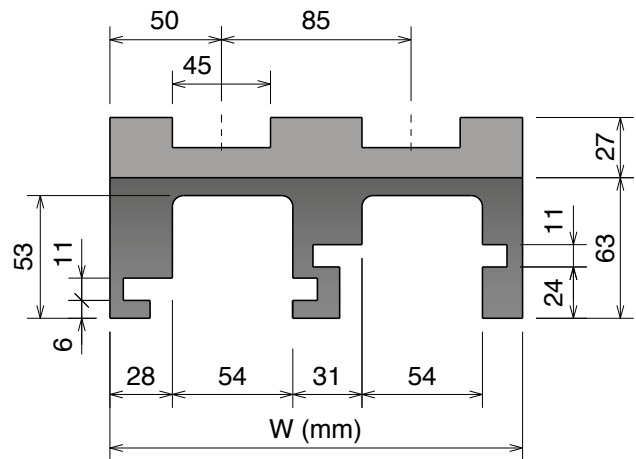
Curva Larghezza Base = 100 mm; Passo = 85 mm  
 Curve Basic Width = 100 mm; Pitch = 85 mm  
 Kurve Basisbreite = 100 mm; Teilung = 85 mm



Available in **BluLub**






SINGLE TRACK

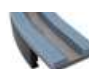


MULTI TRACK

Upper part available, on request, also in **BluLub** and for abrasive applications.

### MAGNETIC SYSTEM

| Part | $\alpha 15^\circ$ | $\alpha 30^\circ$ | $\alpha 45^\circ$ | $\alpha 60^\circ$ | $\alpha 75^\circ$ | $\alpha 90^\circ$ | Tracks | W   | Material  |
|------|-------------------|-------------------|-------------------|-------------------|-------------------|-------------------|--------|-----|---|
| 732  | 73211114          | 73211214          | 73211314          | 73211414          | 73211514          | 73211614          | 1      | 100 |  Standard codes on table |
| 732  | 73211124          | 73211224          | 73211324          | 73211424          | 73211524          | 73211624          | 2      | 185 |   |
| 732  | 73211134          | 73211234          | 73211334          | 73211434          | 73211534          | 73211634          | 3      | 270 |  add "B" for BluLub      |
| 732  | 73211144          | 73211244          | 73211344          | 73211444          | 73211544          | 73211644          | 4      | 355 |   |
| 732  | 73211154          | 73211254          | 73211354          | 73211454          | 73211554          | 73211654          | 5      | 440 |  add "C" for abrasive    |
| 732  | 73211164          | 73211264          | 73211364          | 73211464          | 73211564          | 73211664          | 6      | 525 |   |
| 732  | 73211174          | 73211274          | 73211374          | 73211474          | 73211574          | 73211674          | 7      | 610 |   |
| 732  | 73211184          | 73211284          | 73211384          | 73211484          | 73211584          | 73211684          | 8      | 695 |   |

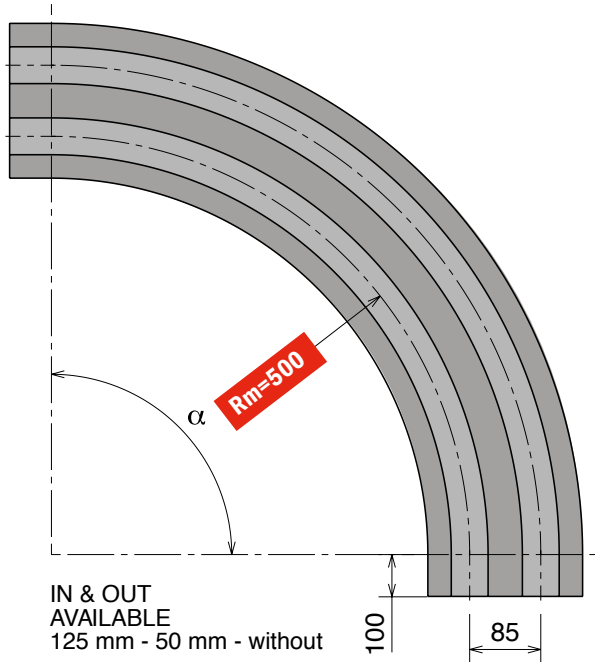
| Part | $\alpha 15^\circ$ | $\alpha 30^\circ$ | $\alpha 45^\circ$ | $\alpha 60^\circ$ | $\alpha 75^\circ$ | $\alpha 90^\circ$ | Tracks | W   | Material  |
|------|-------------------|-------------------|-------------------|-------------------|-------------------|-------------------|--------|-----|---|
| 732  | 73211114RS        | 73211214RS        | 73211314RS        | 73211414RS        | 73211514RS        | 73211614RS        | 1      | 100 |  <b>RS</b> add "RS" for RS-version |
| 732  | 73211124RS        | 73211224RS        | 73211324RS        | 73211424RS        | 73211524RS        | 73211624RS        | 2      | 185 |   |
| 732  | 73211134RS        | 73211234RS        | 73211334RS        | 73211434RS        | 73211534RS        | 73211634RS        | 3      | 270 |   |
| 732  | 73211144RS        | 73211244RS        | 73211344RS        | 73211444RS        | 73211544RS        | 73211644RS        | 4      | 355 |   |
| 732  | 73211154RS        | 73211254RS        | 73211354RS        | 73211454RS        | 73211554RS        | 73211654RS        | 5      | 440 |   |
| 732  | 73211164RS        | 73211264RS        | 73211364RS        | 73211464RS        | 73211564RS        | 73211664RS        | 6      | 525 |   |
| 732  | 73211174RS        | 73211274RS        | 73211374RS        | 73211474RS        | 73211574RS        | 73211674RS        | 7      | 610 |   |
| 732  | 73211184RS        | 73211284RS        | 73211384RS        | 73211484RS        | 73211584RS        | 73211684RS        | 8      | 695 |   |

## 260 M MB4 Series

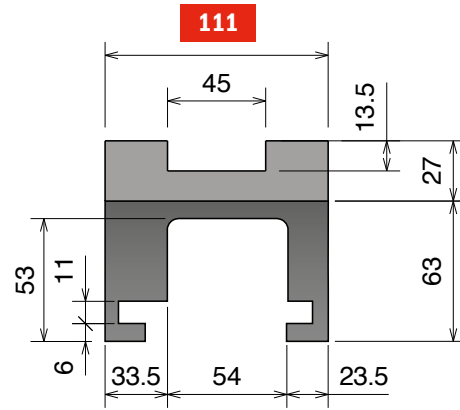
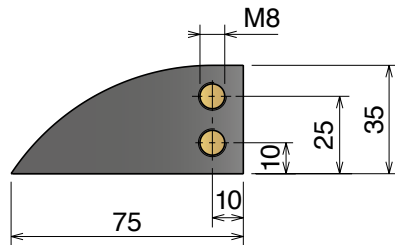
Chain Reference

260 M - K330

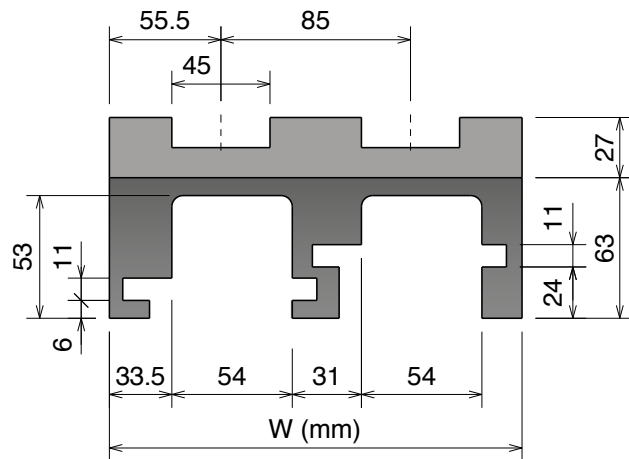
Curva Larghezza Base = 111 mm; Passo = 85 mm  
 Curve Basic Width = 111 mm; Pitch = 85 mm  
 Kurve Basisbreite = 111 mm; Teilung = 85 mm



Available in **BluLub**.






SINGLE TRACK

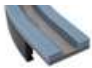


MULTI TRACK

Upper part available, on request,  
 also in **BluLub**  
 and for abrasive applications.

**MAGNETIC SYSTEM**

| Part | α 15°    | α 30°    | α 45°    | α 60°    | α 75°    | α 90°    | Tracks | W   | Material  |
|------|----------|----------|----------|----------|----------|----------|--------|-----|---|
| 733  | 73311114 | 73311214 | 73311314 | 73311414 | 73311514 | 73311614 | 1      | 111 |  <b>Standard</b> codes on table<br> add "B" for <b>BluLub</b><br> add "C" for abrasive |
| 733  | 73311124 | 73311224 | 73311324 | 73311424 | 73311524 | 73311624 | 2      | 196 |   |
| 733  | 73311134 | 73311234 | 73311334 | 73311434 | 73311534 | 73311634 | 3      | 281 |   |
| 733  | 73311144 | 73311244 | 73311344 | 73311444 | 73311544 | 73311644 | 4      | 366 |   |
| 733  | 73311154 | 73311254 | 73311354 | 73311454 | 73311554 | 73311654 | 5      | 451 |   |
| 733  | 73311164 | 73311264 | 73311364 | 73311464 | 73311564 | 73311664 | 6      | 536 |   |
| 733  | 73311174 | 73311274 | 73311374 | 73311474 | 73311574 | 73311674 | 7      | 621 |   |
| 733  | 73311184 | 73311284 | 73311384 | 73311484 | 73311584 | 73311684 | 8      | 706 |   |

| Part | α 15°      | α 30°      | α 45°      | α 60°      | α 75°      | α 90°      | Tracks | W   | Material   |
|------|------------|------------|------------|------------|------------|------------|--------|-----|--|
| 733  | 73311114RS | 73311214RS | 73311314RS | 73311414RS | 73311514RS | 73311614RS | 1      | 111 |  <b>RS</b><br>add "RS" for RS-version |
| 733  | 73311124RS | 73311224RS | 73311324RS | 73311424RS | 73311524RS | 73311624RS | 2      | 196 |  |
| 733  | 73311134RS | 73311234RS | 73311334RS | 73311434RS | 73311534RS | 73311634RS | 3      | 281 |  |
| 733  | 73311144RS | 73311244RS | 73311344RS | 73311444RS | 73311544RS | 73311644RS | 4      | 366 |  |
| 733  | 73311154RS | 73311254RS | 73311354RS | 73311454RS | 73311554RS | 73311654RS | 5      | 451 |  |
| 733  | 73311164RS | 73311264RS | 73311364RS | 73311464RS | 73311564RS | 73311664RS | 6      | 536 |  |
| 733  | 73311174RS | 73311274RS | 73311374RS | 73311474RS | 73311574RS | 73311674RS | 7      | 621 |  |
| 733  | 73311184RS | 73311284RS | 73311384RS | 73311484RS | 73311584RS | 73311684RS | 8      | 706 |  |

# 260 M MB8 Series

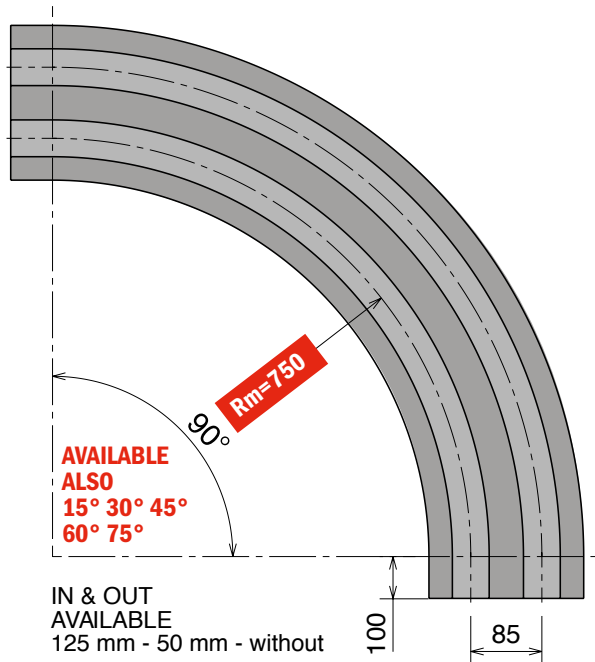
Curve magnetiche, Tab & Bevel / Magnetic, Tab & Bevel corner tracks / Kurvenführungen Magnet, Tab & Bevel Version

Materiale / Material / Materialien:  
 Polietilene UHMW-PE  
 Polyethylene UHMW-PE  
 Polyäthylen UHMW-PE

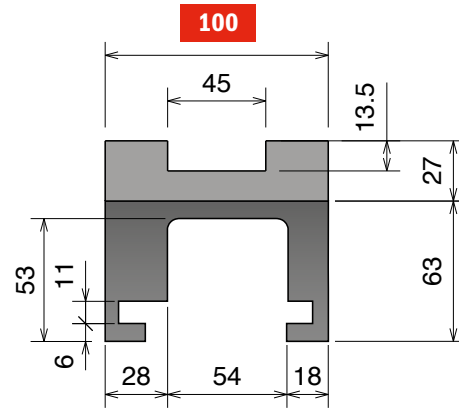
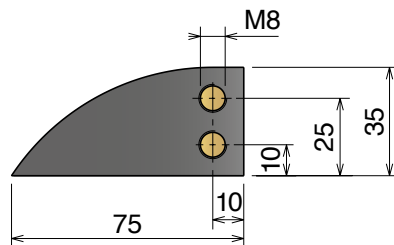
## 260 M MB8 Series

Chain Reference 260 M - K330

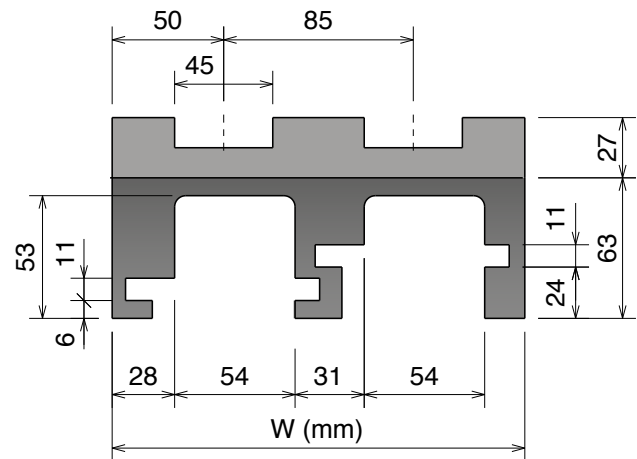
Curva Larghezza Base = 100 mm; Passo = 85 mm  
 Curve Basic Width = 100 mm; Pitch = 85 mm  
 Kurve Basisbreite = 100 mm; Teilung = 85 mm



Available in **BluLub**



SINGLE TRACK




MULTI TRACK

Upper part available, on request, also in **BluLub** and for abrasive applications.

### MAGNETIC SYSTEM

| Part | Article-Nr. | Tracks | W   | Material   |
|------|-------------|--------|-----|--|
| 732  | 73216614    | 1      | 100 |  <b>Standard</b> codes on table |
| 732  | 73216624    | 2      | 185 |  |
| 732  | 73216634    | 3      | 270 |  add "B" for <b>BluLub</b>      |
| 732  | 73216644    | 4      | 355 |  |
| 732  | 73216654    | 5      | 440 |  add "C" for abrasive           |
| 732  | 73216664    | 6      | 525 |  |
| 732  | 73216674    | 7      | 610 |  |
| 732  | 73216684    | 8      | 695 |  |

| Part | Article-Nr. | Tracks | W   | Material  |
|------|-------------|--------|-----|---|
| 732  | 73216614RS  | 1      | 100 |  <b>RS</b> add "RS" for RS-version |
| 732  | 73216624RS  | 2      | 185 |   |
| 732  | 73216634RS  | 3      | 270 |   |
| 732  | 73216644RS  | 4      | 355 |   |
| 732  | 73216654RS  | 5      | 440 |   |
| 732  | 73216664RS  | 6      | 525 |   |
| 732  | 73216674RS  | 7      | 610 |   |
| 732  | 73216684RS  | 8      | 695 |   |

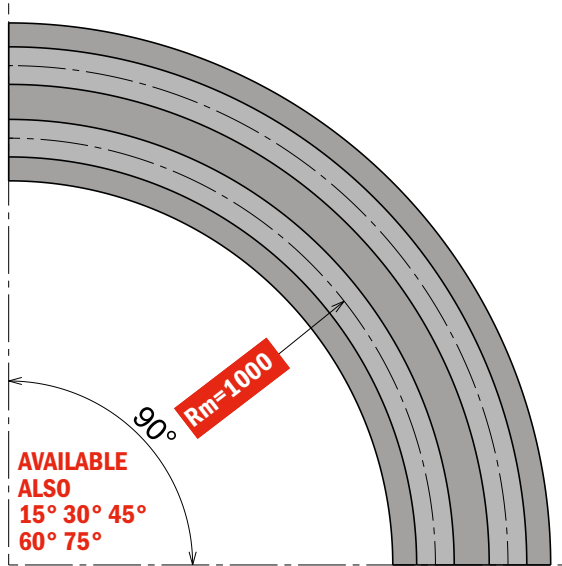


## 260 M MB5D Series

Chain Reference

260 M - K330

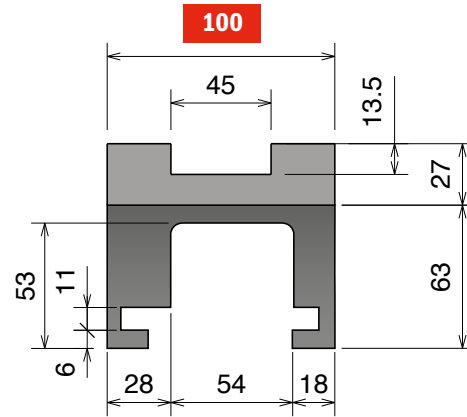
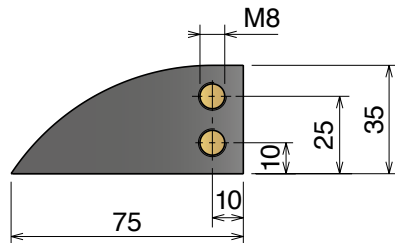
Curva Larghezza Base = 100 mm; Passo = 85 mm  
 Curve Basic Width = 100 mm; Pitch = 85 mm  
 Kurve Basisbreite = 100 mm; Teilung = 85 mm



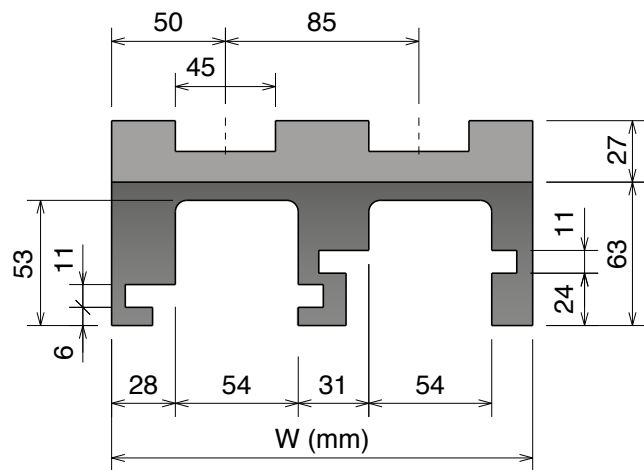
IN & OUT  
 AVAILABLE ALSO  
 125 mm - 100 mm - 50 mm



Available in  
**BluLub**



SINGLE TRACK



MULTI TRACK

Upper part available, on request,  
 also in **BluLub**  
 and for abrasive applications.

### MAGNETIC SYSTEM

| Part | Article-Nr. | Tracks | W   | Material                  |
|------|-------------|--------|-----|---------------------------|
| 732  | 73219610    | 1      | 100 | Standard codes on table   |
| 732  | 73219620    | 2      | 185 |                           |
| 732  | 73219630    | 3      | 270 | add "B" for <b>BluLub</b> |
| 732  | 73219640    | 4      | 355 |                           |
| 732  | 73219650    | 5      | 440 | add "C" for abrasive      |
| 732  | 73219660    | 6      | 525 |                           |
| 732  | 73219670    | 7      | 610 |                           |
| 732  | 73219680    | 8      | 695 |                           |

| Part | Article-Nr. | Tracks | W   | Material                |
|------|-------------|--------|-----|-------------------------|
| 732  | 73219610RS  | 1      | 100 | add "RS" for RS-version |
| 732  | 73219620RS  | 2      | 185 |                         |
| 732  | 73219630RS  | 3      | 270 |                         |
| 732  | 73219640RS  | 4      | 355 |                         |
| 732  | 73219650RS  | 5      | 440 |                         |
| 732  | 73219660RS  | 6      | 525 |                         |
| 732  | 73219670RS  | 7      | 610 |                         |
| 732  | 73219680RS  | 8      | 695 |                         |

# 260 M K450 MB22 Series

Curve magnetiche, Tab & Bevel / Magnetic, Tab & Bevel corner tracks / Kurvenführungen Magnet, Tab & Bevel Version

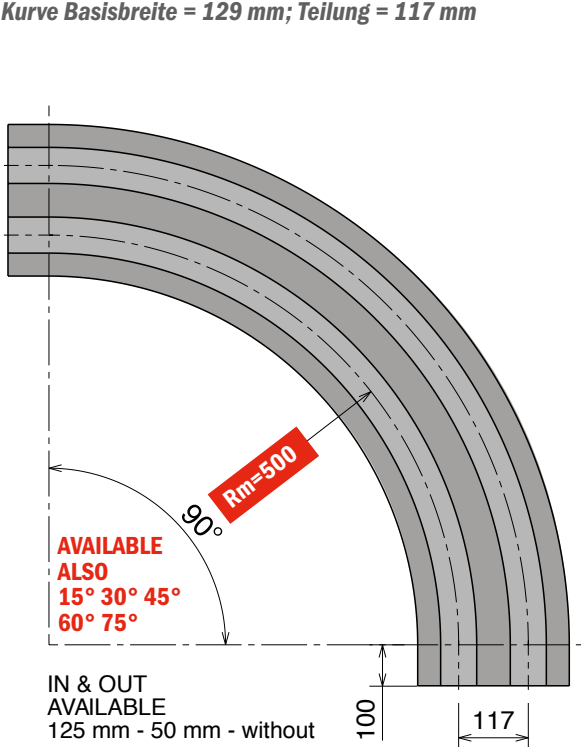
Materiale / Material / Materialien:  
 Polietilene UHMW-PE  
 Polyethylene UHMW-PE  
 Polyäthylen UHMW-PE

## 260 M K450 MB22 Series

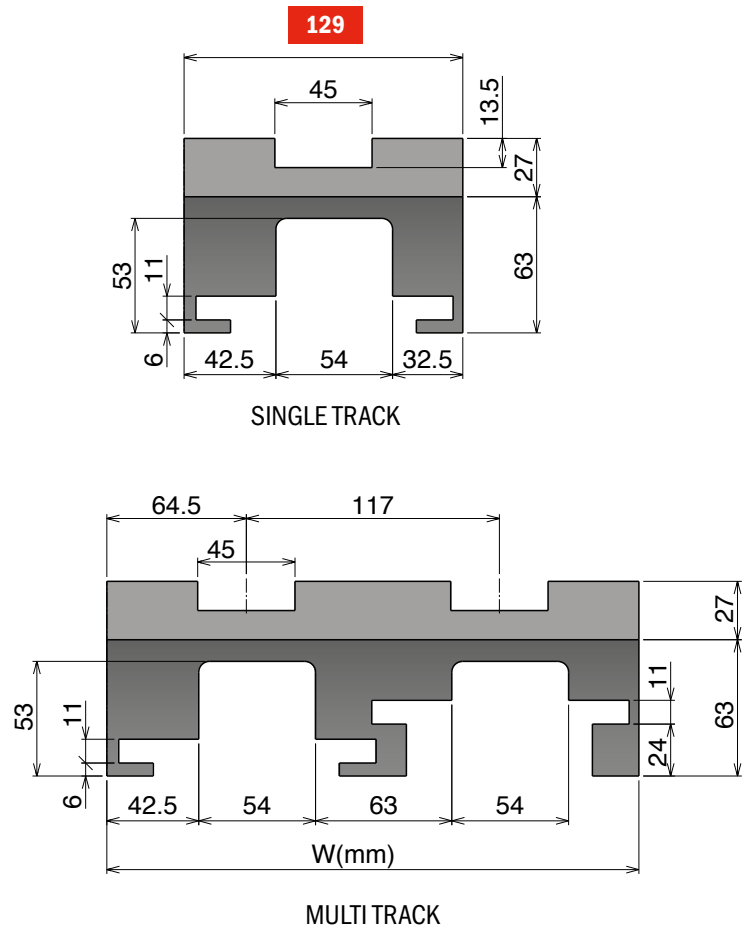
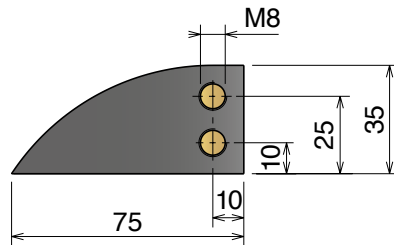
Chain Reference

260 M - K450

Curva Larghezza Base = 129 mm; Passo = 117 mm  
 Curve Basic Width = 129 mm; Pitch = 117 mm  
 Kurve Basisbreite = 129 mm; Teilung = 117 mm



Available in  
**BluLub®**



### MAGNETIC SYSTEM

Upper part available, on request,  
 also in **BluLub®**  
 and for abrasive applications.

| Part | Article-Nr. | Tracks | W   | Material                   |
|------|-------------|--------|-----|----------------------------|
| 734  | 73411614    | 1      | 129 | Standard codes on table    |
| 734  | 73411624    | 2      | 246 |                            |
| 734  | 73411634    | 3      | 363 | add "B" for <b>BluLub®</b> |
| 734  | 73411644    | 4      | 480 |                            |

| Part | Article-Nr. | Tracks | W   | Material                |
|------|-------------|--------|-----|-------------------------|
| 734  | 73411614RS  | 1      | 129 | add "RS" for RS-version |
| 734  | 73411624RS  | 2      | 246 |                         |
| 734  | 73411634RS  | 3      | 363 |                         |
| 734  | 73411644RS  | 4      | 480 |                         |

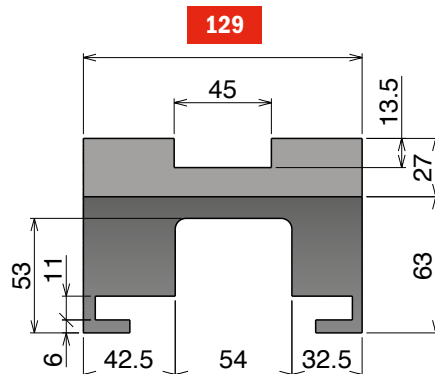
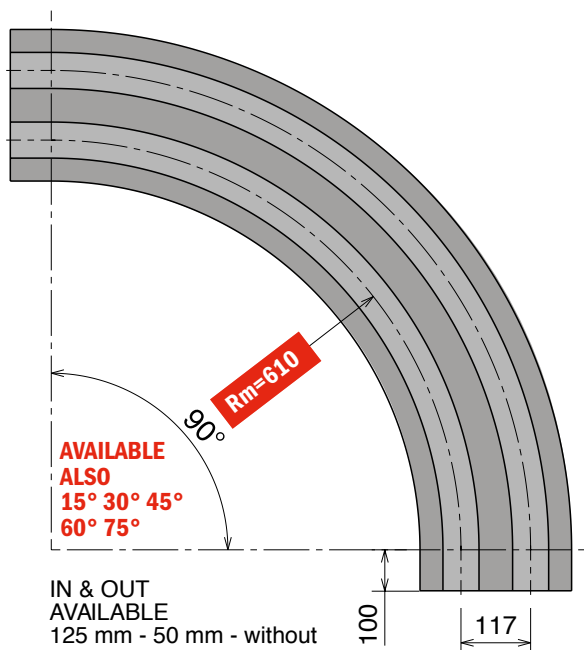
## 260 M K450 MB27 Series

Chain Reference 260 M - K450

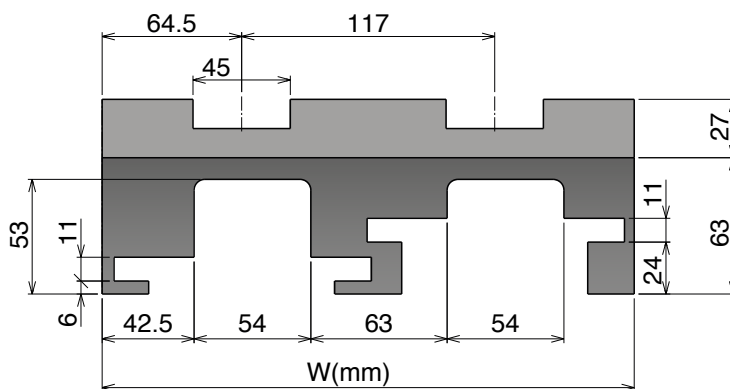
Curva Larghezza Base = 129 mm; Passo = 117 mm

Curve Basic Width = 129 mm; Pitch = 117 mm

Kurve Basisbreite = 129 mm; Teilung = 117 mm



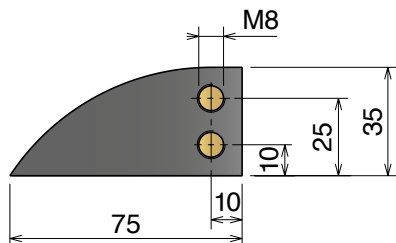
SINGLE TRACK



MULTI TRACK






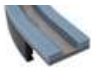
Available in  
**BluLub®**



Upper part available, on request,  
also in **BluLub®**  
and for abrasive applications.

### MAGNETIC SYSTEM

| Part | Article-Nr. | Tracks | W   | Material  |
|------|-------------|--------|-----|---|
| 734  | 73413614    | 1      | 129 |  <b>Standard</b> codes<br>on table<br><br> add "B" for<br><b>BluLub®</b><br><br> add "C"<br>for abrasive |
| 734  | 73413624    | 2      | 246 |   |
| 734  | 73413634    | 3      | 363 |   |
| 734  | 73413644    | 4      | 480 |   |

| Part | Article-Nr. | Tracks | W   | Material  |
|------|-------------|--------|-----|---|
| 734  | 73413614RS  | 1      | 129 |  add " <b>RS</b> " for<br>RS-version |
| 734  | 73413624RS  | 2      | 246 |   |
| 734  | 73413634RS  | 3      | 363 |   |
| 734  | 73413644RS  | 4      | 480 |   |

# 261 M MC7 Series

Curve magnetiche, Tab & Bevel / Magnetic, Tab & Bevel corner tracks / Kurvenführungen Magnet, Tab & Bevel Version

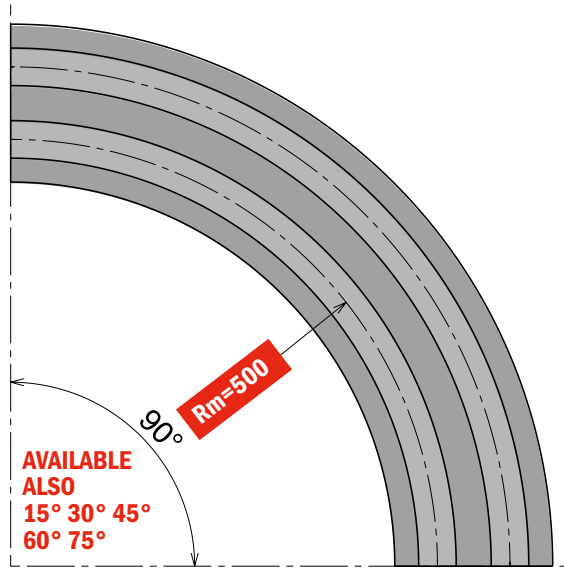
Materiale / Material / Materialien:  
 Polietilene UHMW-PE  
 Polyethylene UHMW-PE  
 Polyäthylen UHMW-PE

## 261 M MC7 Series

Chain Reference

261 M - K330

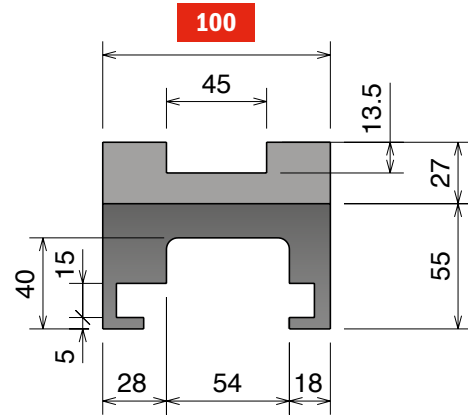
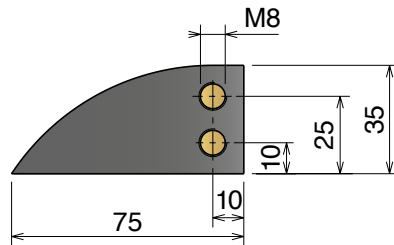
Curva Larghezza Base = 100 mm; Passo = 85 mm  
 Curve Basic Width = 100 mm; Pitch = 85 mm  
 Kurve Basisbreite = 100 mm; Teilung = 85 mm



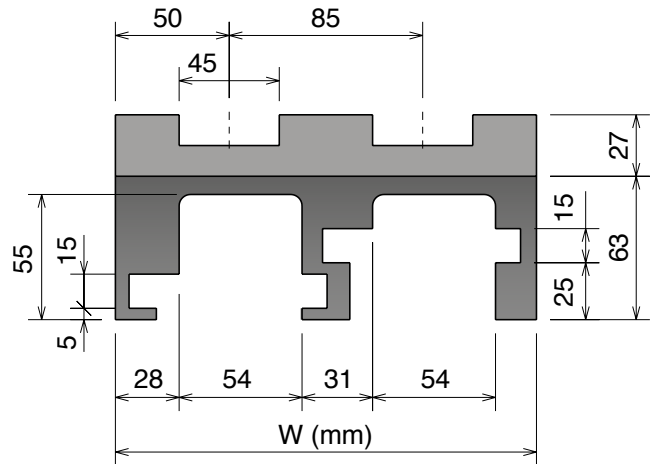
IN & OUT  
 AVAILABLE ALSO  
 125 mm - 100 mm - 50 mm



Available in  
**BluLub®**



SINGLE TRACK



MULTI TRACK

Upper part available, on request,  
 also in **BluLub®**  
 and for abrasive applications.

### MAGNETIC SYSTEM

| Part | Article-Nr. | Tracks | W   | Material                |
|------|-------------|--------|-----|-------------------------|
| 706  | 70611610    | 1      | 100 | Standard codes on table |
| 706  | 70611620    | 2      | 185 |                         |
| 706  | 70611630    | 3      | 270 | add "B" for BluLub®     |
| 706  | 70611640    | 4      | 355 |                         |
| 706  | 70611650    | 5      | 440 | add "C" for abrasive    |
| 706  | 70611660    | 6      | 525 |                         |
| 706  | 70611670    | 7      | 610 |                         |
| 706  | 70611680    | 8      | 695 |                         |

| Part | Article-Nr. | Tracks | W   | Material                |
|------|-------------|--------|-----|-------------------------|
| 706  | 70611610RS  | 1      | 100 | add "RS" for RS-version |
| 706  | 70611620RS  | 2      | 185 |                         |
| 706  | 70611630RS  | 3      | 270 |                         |
| 706  | 70611640RS  | 4      | 355 |                         |
| 706  | 70611650RS  | 5      | 440 |                         |
| 706  | 70611660RS  | 6      | 525 |                         |
| 706  | 70611670RS  | 7      | 610 |                         |
| 706  | 70611680RS  | 8      | 695 |                         |

## 261 M MC6 Series

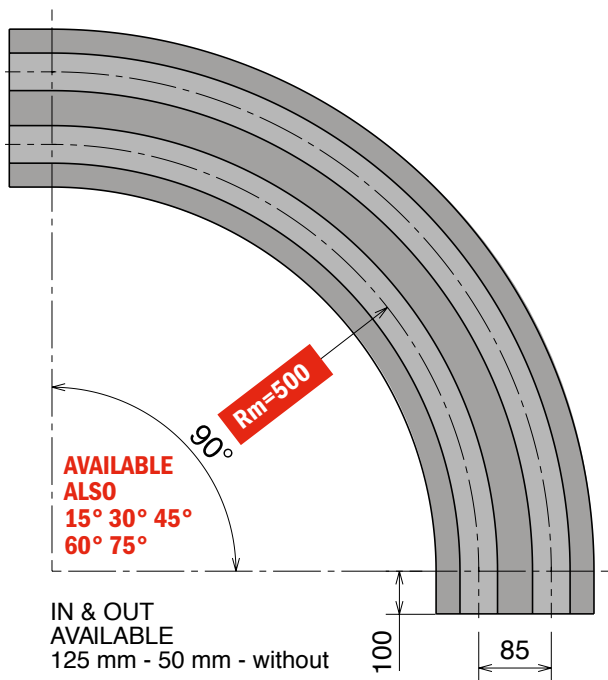
Chain Reference

261 M - K330

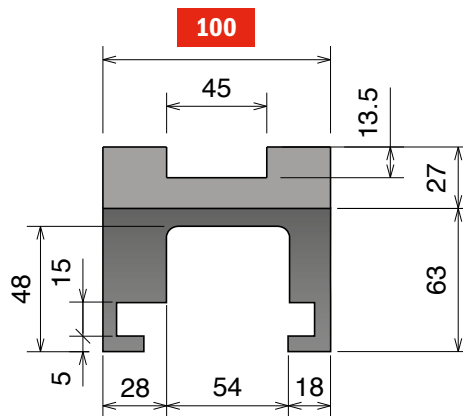
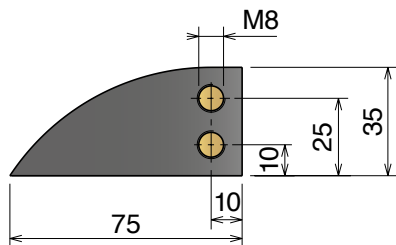
Curva Larghezza Base = 100 mm; Passo = 85 mm

Curve Basic Width = 100 mm; Pitch = 85 mm

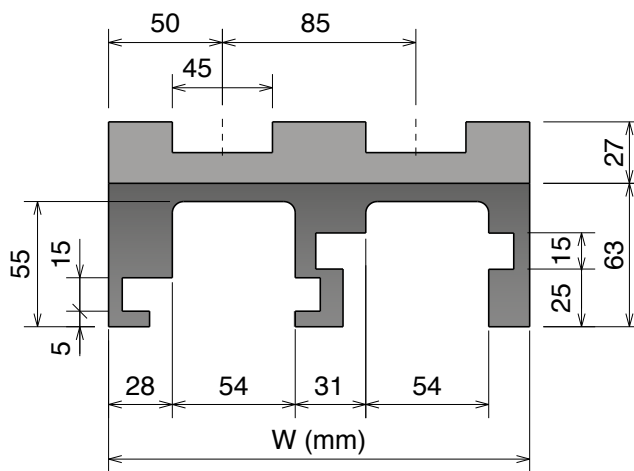
Kurve Basisbreite = 100 mm; Teilung = 85 mm



Available in **BluLub**®



SINGLE TRACK



MULTI TRACK

Upper part available, on request, also in **BluLub**® and for abrasive applications.

### MAGNETIC SYSTEM

| Part | Article-Nr. | Tracks | W   | Material                    |
|------|-------------|--------|-----|-----------------------------|
| 706  | 70611614    | 1      | 100 | Standard codes on table     |
| 706  | 70611624    | 2      | 185 |                             |
| 706  | 70611634    | 3      | 270 | add "B" for <b>BluLub</b> ® |
| 706  | 70611644    | 4      | 355 |                             |
| 706  | 70611654    | 5      | 440 | add "C" for abrasive        |
| 706  | 70611664    | 6      | 525 |                             |
| 706  | 70611674    | 7      | 610 |                             |
| 706  | 70611684    | 8      | 695 |                             |

| Part | Article-Nr. | Tracks | W   | Material                |
|------|-------------|--------|-----|-------------------------|
| 706  | 70611614RS  | 1      | 100 | add "RS" for RS-version |
| 706  | 70611624RS  | 2      | 185 |                         |
| 706  | 70611634RS  | 3      | 270 |                         |
| 706  | 70611644RS  | 4      | 355 |                         |
| 706  | 70611654RS  | 5      | 440 |                         |
| 706  | 70611664RS  | 6      | 525 |                         |
| 706  | 70611674RS  | 7      | 610 |                         |
| 706  | 70611684RS  | 8      | 695 |                         |

# 261 M MC4 Series

Curve magnetiche, Tab & Bevel / Magnetic, Tab & Bevel corner tracks / Kurvenführungen Magnet, Tab & Bevel Version

Materiale / Material / Materialien:  
 Polietilene UHMW-PE  
 Polyethylene UHMW-PE  
 Polyäthylen UHMW-PE

## 261 M MC4 Series

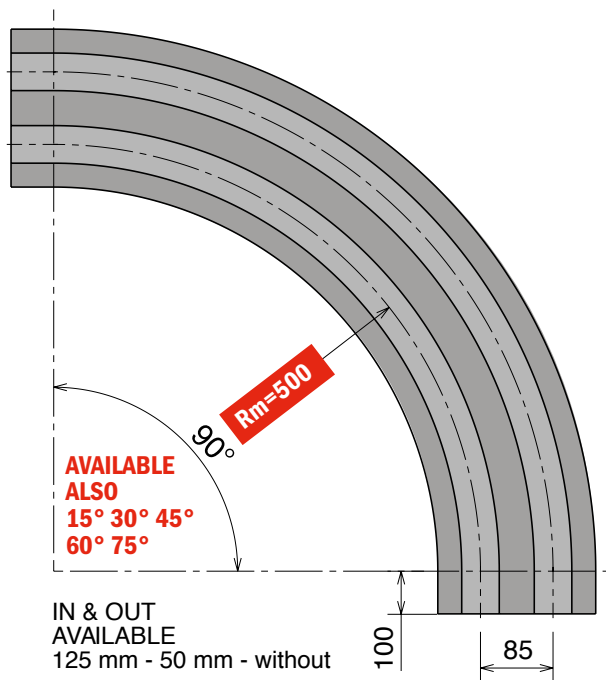
Chain Reference

261 M - K330

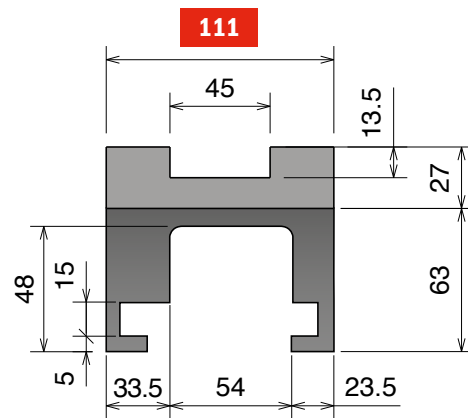
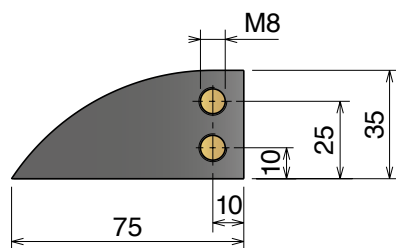
Curva Larghezza Base = 111 mm; Passo = 85 mm

Curve Basic Width = 111 mm; Pitch = 85 mm

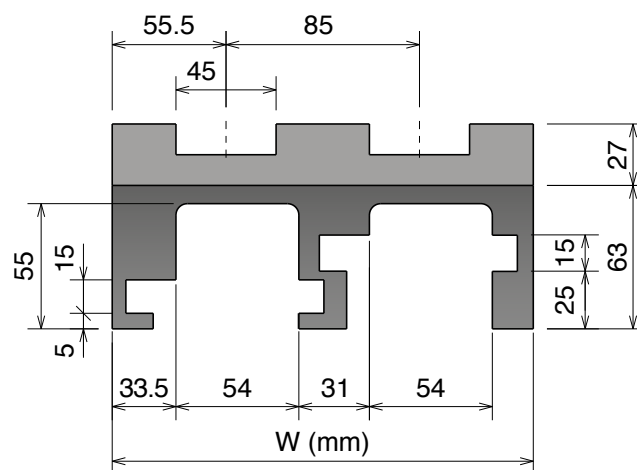
Kurve Basisbreite = 111 mm; Teilung = 85 mm



Available in **BluLub**®



SINGLE TRACK



W (mm)  
MULTI TRACK

Upper part available, on request, also in **BluLub**® and for abrasive applications.

### MAGNETIC SYSTEM

| Part | Article-Nr. | Tracks | W   | Material                |
|------|-------------|--------|-----|-------------------------|
| 735  | 73511614    | 1      | 111 | Standard codes on table |
| 735  | 73511624    | 2      | 196 |                         |
| 735  | 73511634    | 3      | 281 | add "B" for BluLub®     |
| 735  | 73511644    | 4      | 366 |                         |
| 735  | 73511654    | 5      | 451 | add "C" for abrasive    |
| 735  | 73511664    | 6      | 536 |                         |
| 735  | 73511674    | 7      | 621 |                         |
| 735  | 73511684    | 8      | 706 |                         |

| Part | Article-Nr. | Tracks | W   | Material                |
|------|-------------|--------|-----|-------------------------|
| 735  | 73511614RS  | 1      | 111 | add "RS" for RS-version |
| 735  | 73511624RS  | 2      | 196 |                         |
| 735  | 73511634RS  | 3      | 281 |                         |
| 735  | 73511644RS  | 4      | 366 |                         |
| 735  | 73511654RS  | 5      | 451 |                         |
| 735  | 73511664RS  | 6      | 536 |                         |
| 735  | 73511674RS  | 7      | 621 |                         |
| 735  | 73511684RS  | 8      | 706 |                         |

## 261 M MC8 Series

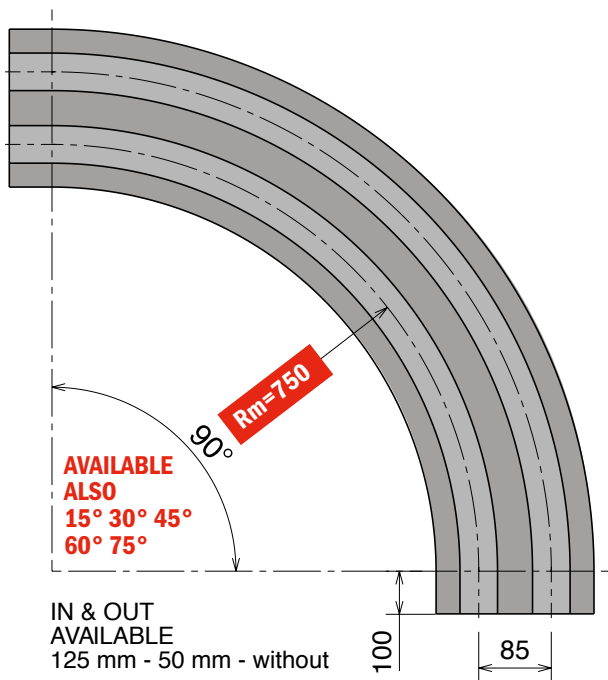
Chain Reference

261 M - K330

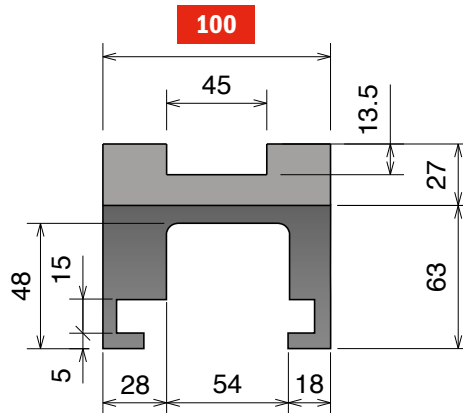
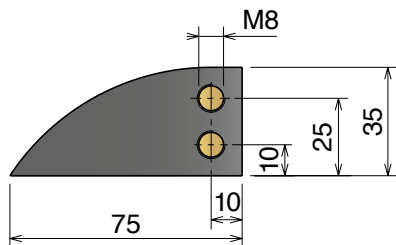
Curva Larghezza Base = 100 mm; Passo = 85 mm

Curve Basic Width = 100 mm; Pitch = 85 mm

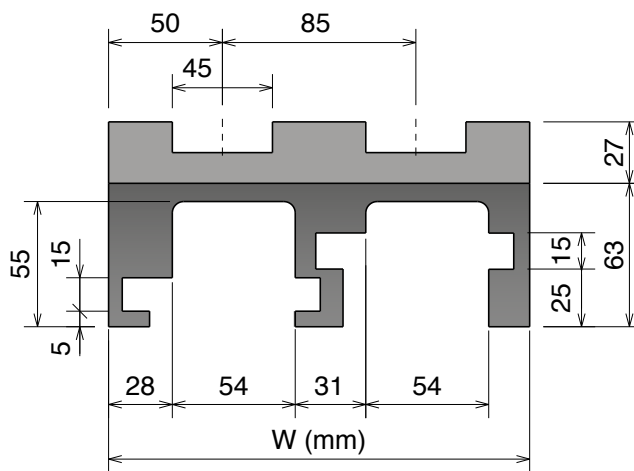
Kurve Basisbreite = 100 mm; Teilung = 85 mm



Available in **BluLub®**



SINGLE TRACK



MULTI TRACK

Upper part available, on request, also in **BluLub®** and for abrasive applications.

### MAGNETIC SYSTEM

| Part | Article-Nr. | Tracks | W   | Material                   |
|------|-------------|--------|-----|----------------------------|
| 706  | 70616614    | 1      | 100 | Standard codes on table    |
| 706  | 70616624    | 2      | 185 |                            |
| 706  | 70616634    | 3      | 270 | add "B" for <b>BluLub®</b> |
| 706  | 70616644    | 4      | 355 |                            |
| 706  | 70616654    | 5      | 440 | add "C" for abrasive       |
| 706  | 70616664    | 6      | 525 |                            |
| 706  | 70616674    | 7      | 610 |                            |
| 706  | 70616684    | 8      | 695 |                            |

| Part | Article-Nr. | Tracks | W   | Material                |
|------|-------------|--------|-----|-------------------------|
| 706  | 70616614RS  | 1      | 100 | add "RS" for RS-version |
| 706  | 70616624RS  | 2      | 185 |                         |
| 706  | 70616634RS  | 3      | 270 |                         |
| 706  | 70616644RS  | 4      | 355 |                         |
| 706  | 70616654RS  | 5      | 440 |                         |
| 706  | 70616664RS  | 6      | 525 |                         |
| 706  | 70616674RS  | 7      | 610 |                         |
| 706  | 70616684RS  | 8      | 695 |                         |

# 261 M MC5D Series

Curve magnetiche, Tab & Bevel / Magnetic, Tab & Bevel corner tracks / Kurvenführungen Magnet, Tab & Bevel Version

Materiale / Material / Materialien:  
 Polietilene UHMW-PE  
 Polyethylene UHMW-PE  
 Polyäthylen UHMW-PE

## 261 M MC5D Series

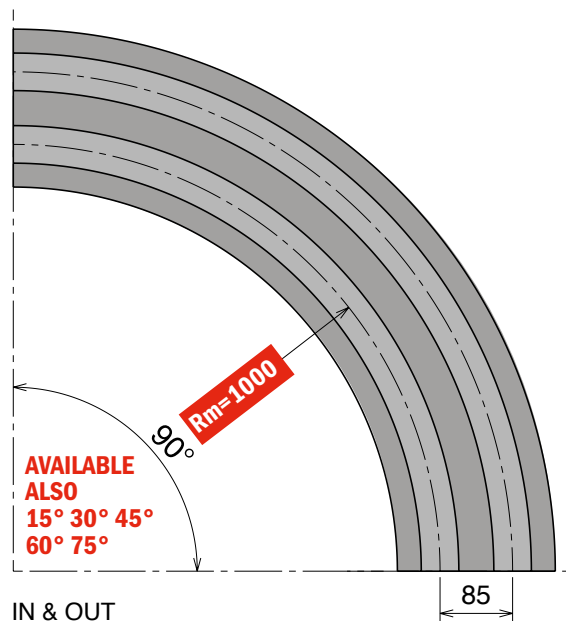
Chain Reference

261 M - K330

Curva Larghezza Base = 100 mm; Passo = 85 mm

Curve Basic Width = 100 mm; Pitch = 85 mm

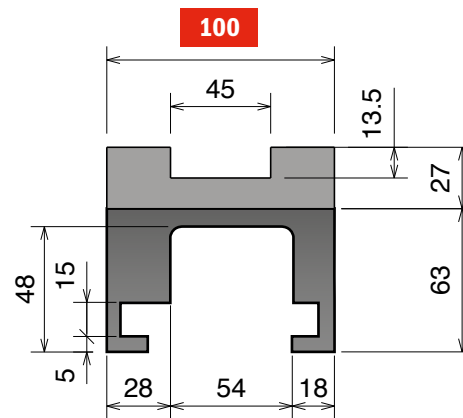
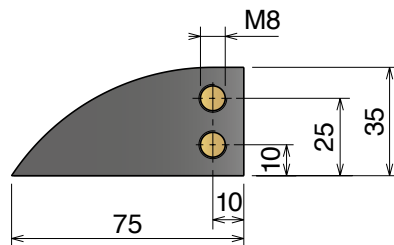
Kurve Basisbreite = 100 mm; Teilung = 85 mm



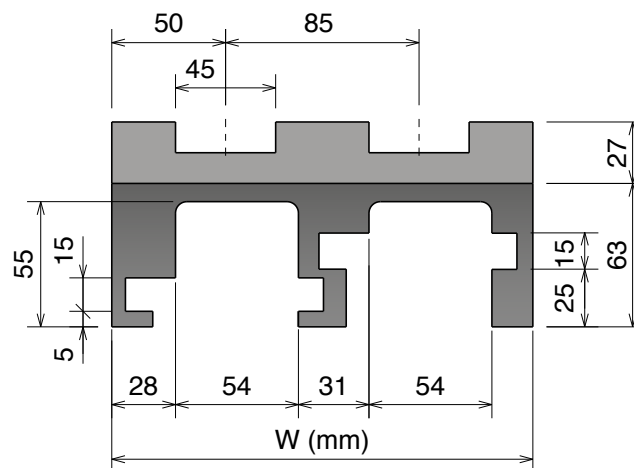
IN & OUT  
 AVAILABLE  
 125 mm - 100 mm - 50 mm



Available in  
**BluLub®**



SINGLE TRACK

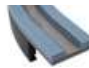


MULTI TRACK

Upper part available, on request,  
 also in **BluLub®**  
 and for abrasive applications.

### MAGNETIC SYSTEM

| Part | Article-Nr. | Tracks | W   | Material   |
|------|-------------|--------|-----|--|
| 706  | 70619610    | 1      | 100 |  <b>Standard</b> codes on table |
| 706  | 70619620    | 2      | 185 |  |
| 706  | 70619630    | 3      | 270 |  |
| 706  | 70619640    | 4      | 355 |  add "B" for <b>BluLub®</b>     |
| 706  | 70619650    | 5      | 440 |  |
| 706  | 70619660    | 6      | 525 |  add "C" for abrasive           |
| 706  | 70619670    | 7      | 610 |  |
| 706  | 70619680    | 8      | 695 |  |

| Part | Article-Nr. | Tracks | W   | Material  |
|------|-------------|--------|-----|---|
| 706  | 70619610RS  | 1      | 100 |  <b>RS</b> add "RS" for RS-version |
| 706  | 70619620RS  | 2      | 185 |   |
| 706  | 70619630RS  | 3      | 270 |   |
| 706  | 70619640RS  | 4      | 355 |   |
| 706  | 70619650RS  | 5      | 440 |   |
| 706  | 70619660RS  | 6      | 525 |   |
| 706  | 70619670RS  | 7      | 610 |   |
| 706  | 70619680RS  | 8      | 695 |   |



## 261 M K450 MC22 Series

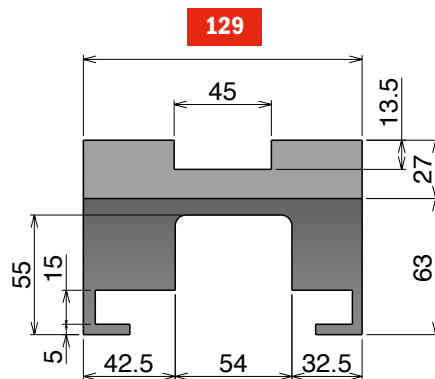
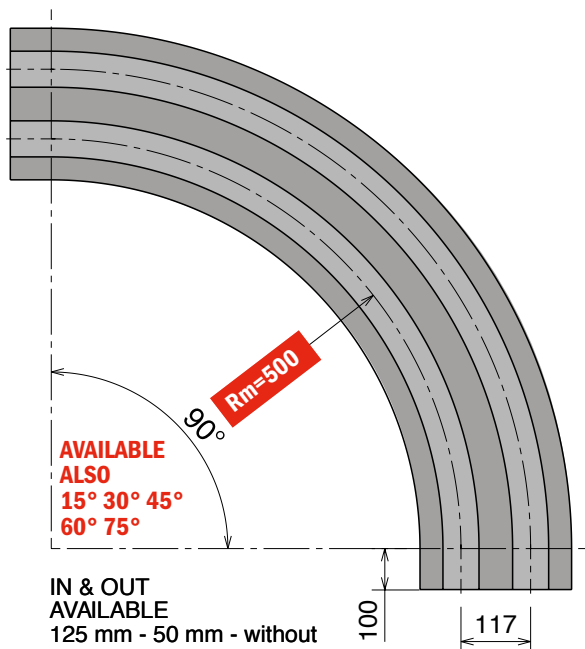
Chain Reference

261 M - K450

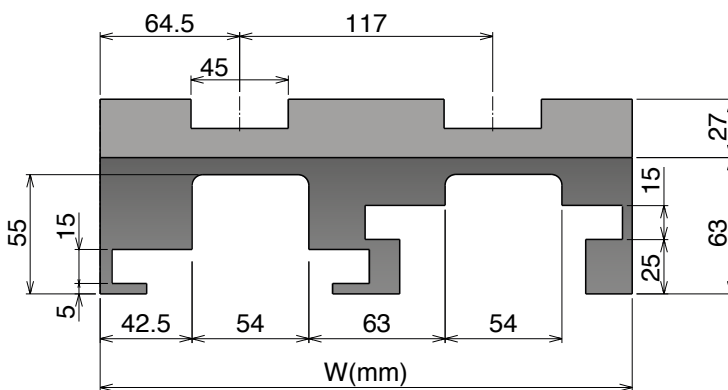
Curva Larghezza Base = 129 mm; Passo = 117 mm

Curve Basic Width = 129 mm; Pitch = 117 mm

Kurve Basisbreite = 129 mm; Teilung = 117 mm



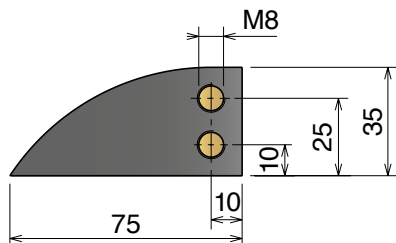
SINGLE TRACK



MULTI TRACK






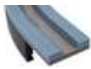
Available in  
**BluLub®**



Upper part available, on request,  
 also in **BluLub®**  
 and for abrasive applications.

### MAGNETIC SYSTEM

| Part | Article-Nr. | Tracks | W   | Material  |
|------|-------------|--------|-----|---|
| 736  | 73611614    | 1      | 129 |  <b>Standard</b> codes<br>on table<br><br> add "B" for<br><b>BluLub®</b><br><br> add "C"<br>for abrasive |
| 736  | 73611624    | 2      | 246 |   |
| 736  | 73611634    | 3      | 363 |   |
| 736  | 73611644    | 4      | 480 |   |

| Part | Article-Nr. | Tracks | W   | Material  |
|------|-------------|--------|-----|---|
| 736  | 73611614RS  | 1      | 129 |  <b>RS</b><br>add "RS" for<br>RS-version |
| 736  | 73611624RS  | 2      | 246 |   |
| 736  | 73611634RS  | 3      | 363 |   |
| 736  | 73611644RS  | 4      | 480 |   |

# 261 M K450 MC27 Series

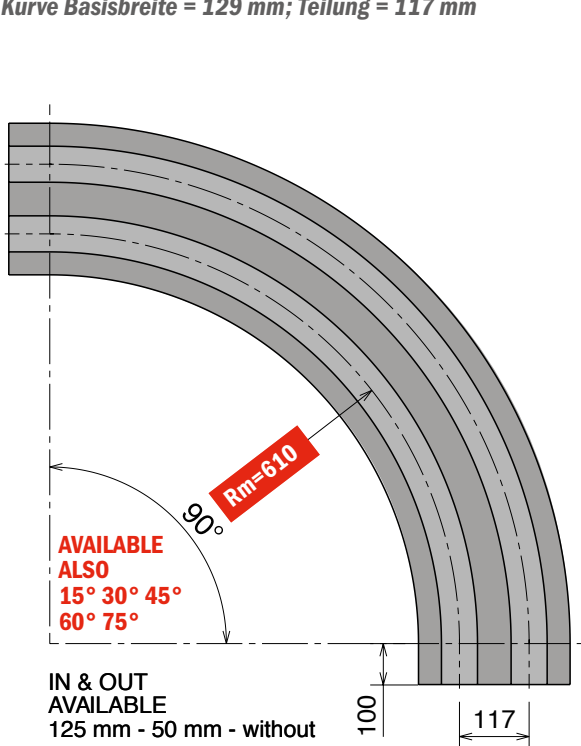
Curve magnetiche, Tab & Bevel / Magnetic, Tab & Bevel corner tracks / Kurvenführungen Magnet, Tab & Bevel Version

Materiale / Material / Materialien:  
 Polietilene UHMW-PE  
 Polyethylene UHMW-PE  
 Polyäthylen UHMW-PE

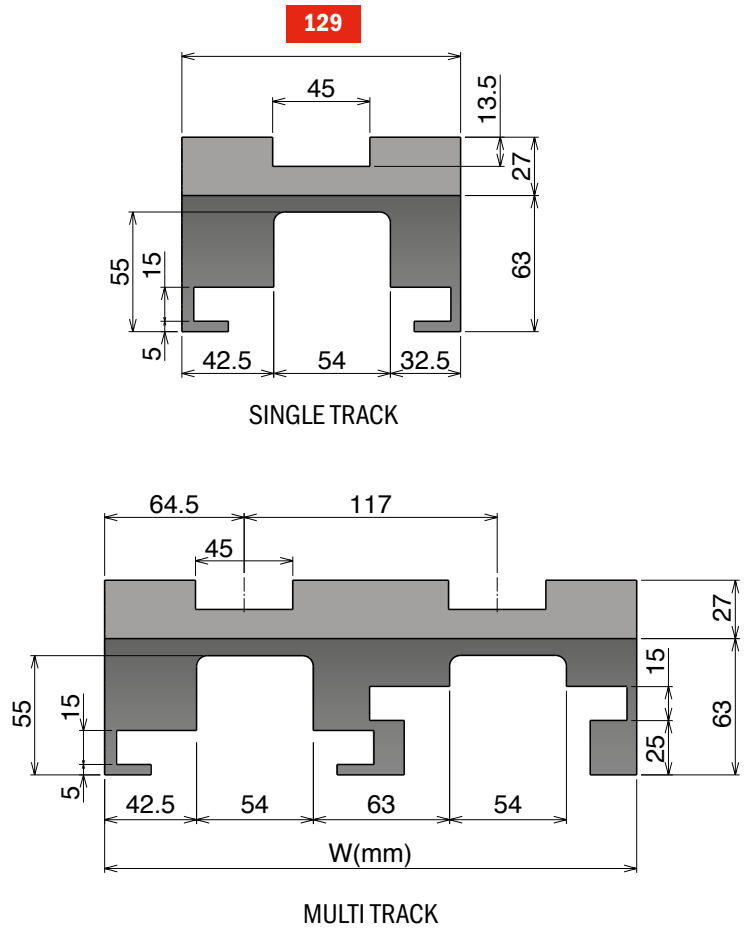
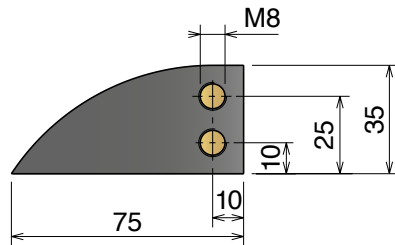
## 261 M K450 MC27 Series

Chain Reference 261 M - K450

Curva Larghezza Base = 129 mm; Passo = 117 mm  
 Curve Basic Width = 129 mm; Pitch = 117 mm  
 Kurve Basisbreite = 129 mm; Teilung = 117 mm



Available in **BluLub**



Upper part available, on request, also in **BluLub** and for abrasive applications.

### MAGNETIC SYSTEM

| Part | Article-Nr. | Tracks | W   | Material                  |
|------|-------------|--------|-----|---------------------------|
| 736  | 73613614    | 1      | 129 | Standard codes on table   |
| 736  | 73613624    | 2      | 246 |                           |
| 736  | 73613634    | 3      | 363 | add "B" for <b>BluLub</b> |
| 736  | 73613644    | 4      | 480 |                           |



| Part | Article-Nr. | Tracks | W   | Material                |
|------|-------------|--------|-----|-------------------------|
| 736  | 73613614RS  | 1      | 129 | add "RS" for RS-version |
| 736  | 73613624RS  | 2      | 246 |                         |
| 736  | 73613634RS  | 3      | 363 |                         |
| 736  | 73613644RS  | 4      | 480 |                         |



**RS**

add "RS" for RS-version

Curve magnetiche, Tab & Bevel / Magnetic, Tab & Bevel corner tracks / Kurvenführungen Magnet, Tab & Bevel Version

## 520 M MA7 Series

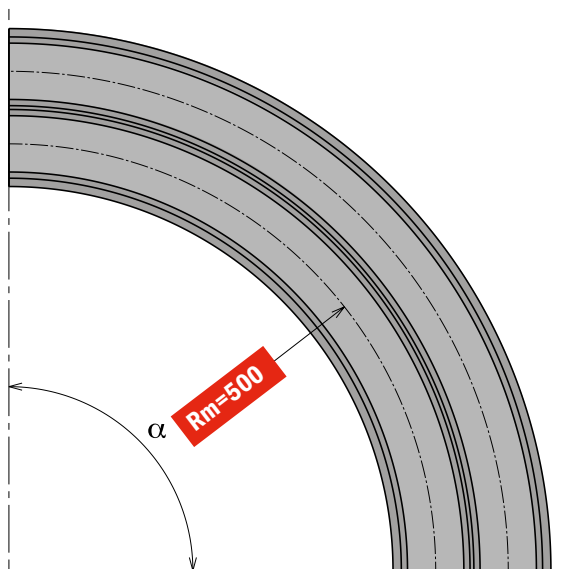
Chain Reference

520 M - K330

Curva Larghezza Base = 100 mm; Passo = 85 mm

Curve Basic Width = 100 mm; Pitch = 85 mm

Kurve Basisbreite = 100 mm; Teilung = 85 mm

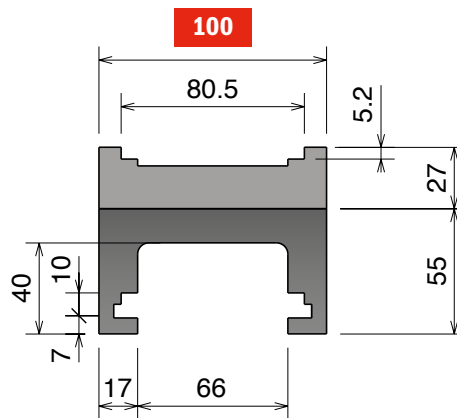
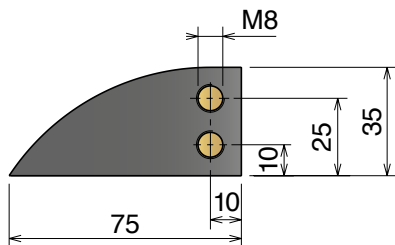


IN & OUT  
 AVAILABLE ALSO  
 125 mm - 100 mm - 50 mm

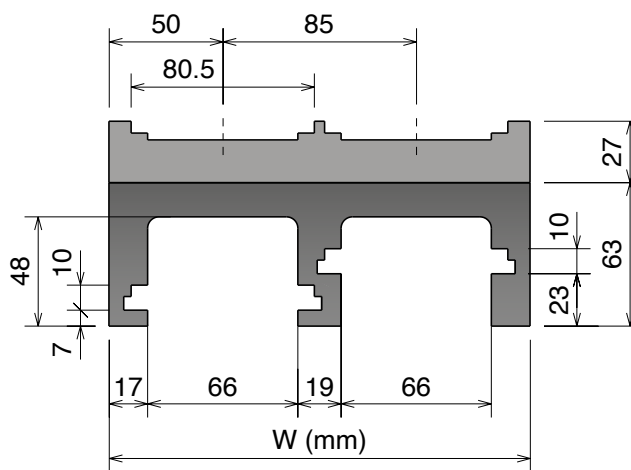
85



Available in  
**BluLub**






SINGLE TRACK



MULTI TRACK

Upper part available, on request,  
 also in **BluLub**  
 and for abrasive applications.

### MAGNETIC SYSTEM

| Part | α 15°    | α 30°    | α 45°    | α 60°    | α 75°    | α 90°    | Tracks | W   | Material  |
|------|----------|----------|----------|----------|----------|----------|--------|-----|---|
| 750  | 75011110 | 75011210 | 75011310 | 75011410 | 75011510 | 75011610 | 1      | 100 |  <b>Standard</b> codes on table<br> add "B" for <b>BluLub</b><br> add "C" for abrasive |
| 750  | 75011120 | 75011220 | 75011320 | 75011420 | 75011520 | 75011620 | 2      | 185 |   |
| 750  | 75011130 | 75011230 | 75011330 | 75011430 | 75011530 | 75011630 | 3      | 270 |   |
| 750  | 75011140 | 75011240 | 75011340 | 75011440 | 75011540 | 75011640 | 4      | 355 |   |
| 750  | 75011150 | 75011250 | 75011350 | 75011450 | 75011550 | 75011650 | 5      | 440 |   |
| 750  | 75011160 | 75011260 | 75011360 | 75011460 | 75011560 | 75011660 | 6      | 525 |   |
| 750  | 75011170 | 75011270 | 75011370 | 75011470 | 75011570 | 75011670 | 7      | 610 |   |
| 750  | 75011180 | 75011280 | 75011380 | 75011480 | 75011580 | 75011680 | 8      | 695 |   |

# 520 M MA6 Series

Curve magnetiche, Tab & Bevel / Magnetic, Tab & Bevel corner tracks / Kurvenführungen Magnet, Tab & Bevel Version

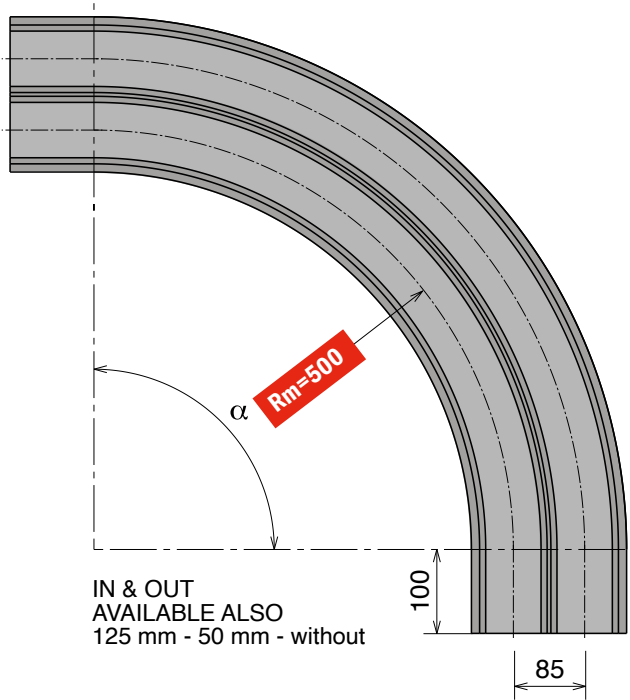
Materiale / Material / Materialien:  
 Polietilene UHMW-PE  
 Polyethylene UHMW-PE  
 Polyäthylen UHMW-PE

## 520 M MA6 Series

Chain Reference

520 M - K330

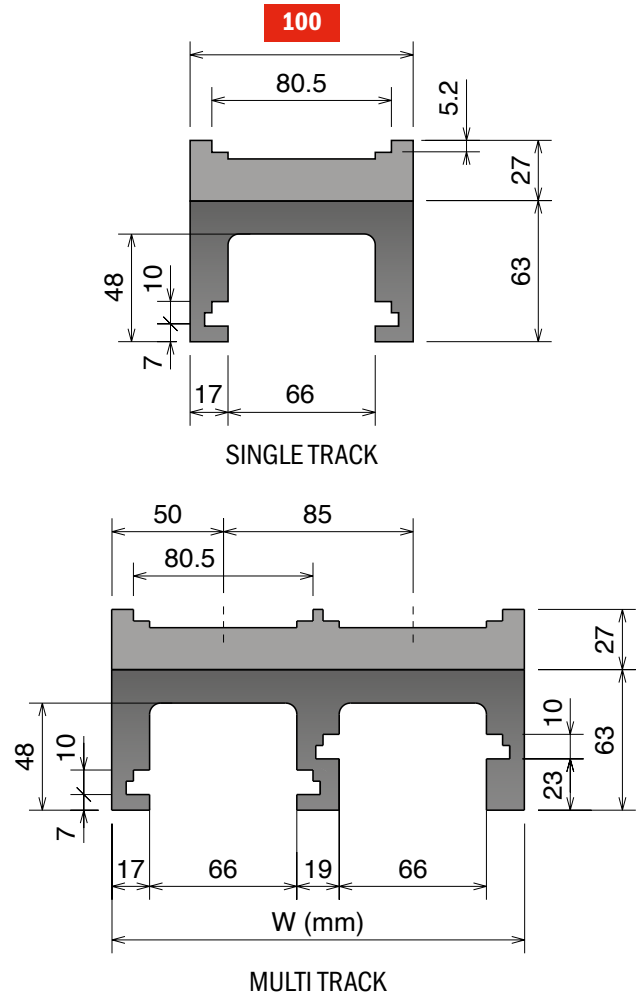
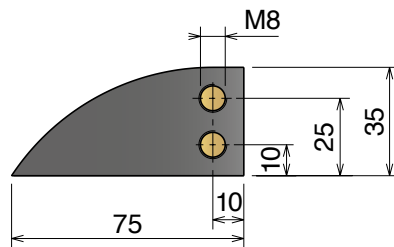
Curva Larghezza Base = 100 mm; Passo = 85 mm  
 Curve Basic Width = 100 mm; Pitch = 85 mm  
 Kurve Basisbreite = 100 mm; Teilung = 85 mm



IN & OUT  
 AVAILABLE ALSO  
 125 mm - 50 mm - without



Available in  
**BluLub**



Upper part available, on request,  
 also in **BluLub**  
 and for abrasive applications.

**MAGNETIC SYSTEM**

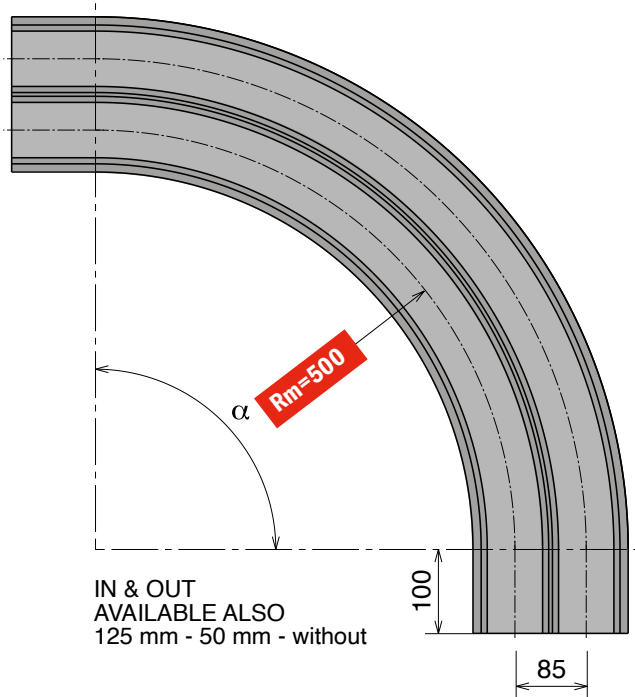
| Part | $\alpha 15^\circ$ | $\alpha 30^\circ$ | $\alpha 45^\circ$ | $\alpha 60^\circ$ | $\alpha 75^\circ$ | $\alpha 90^\circ$ | Tracks | W   | Material                  |
|------|-------------------|-------------------|-------------------|-------------------|-------------------|-------------------|--------|-----|---------------------------|
| 750  | 75011114          | 75011214          | 75011314          | 75011414          | 75011514          | 75011614          | 1      | 100 | Standard codes on table   |
| 750  | 75011124          | 75011224          | 75011324          | 75011424          | 75011524          | 75011624          | 2      | 185 |                           |
| 750  | 75011134          | 75011234          | 75011334          | 75011434          | 75011534          | 75011634          | 3      | 270 | add "B" for <b>BluLub</b> |
| 750  | 75011144          | 75011244          | 75011344          | 75011444          | 75011544          | 75011644          | 4      | 355 |                           |
| 750  | 75011154          | 75011254          | 75011354          | 75011454          | 75011554          | 75011654          | 5      | 440 | add "C" for abrasive      |
| 750  | 75011164          | 75011264          | 75011364          | 75011464          | 75011564          | 75011664          | 6      | 525 |                           |
| 750  | 75011174          | 75011274          | 75011374          | 75011474          | 75011574          | 75011674          | 7      | 610 | add "C" for abrasive      |
| 750  | 75011184          | 75011284          | 75011384          | 75011484          | 75011584          | 75011684          | 8      | 695 |                           |

## 520 M MA4 Series

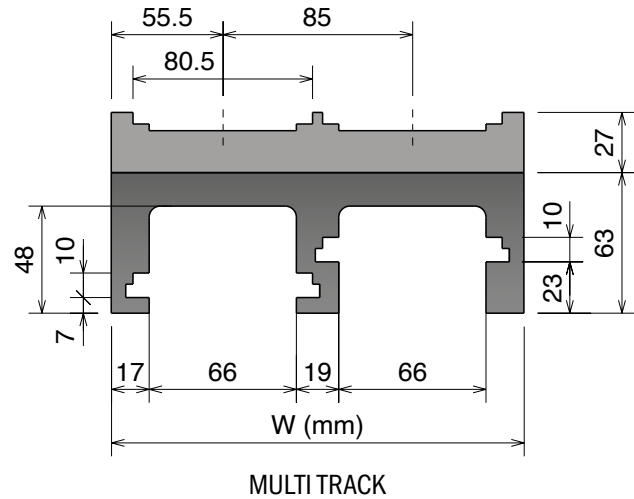
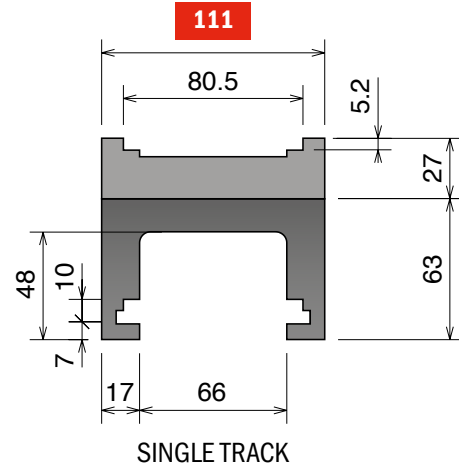
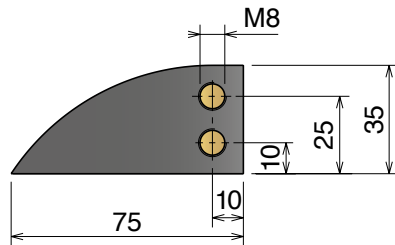
Chain Reference

520 M - K330

Curva Larghezza Base = 111mm; Passo = 85 mm  
 Curve Basic Width = 111 mm; Pitch = 85 mm  
 Kurve Basisbreite = 111 mm; Teilung = 85 mm



Available in  
**BluLub®**



Upper part available, on request,  
 also in **BluLub®**  
 and for abrasive applications.

### MAGNETIC SYSTEM

| Part | α 15°    | α 30°    | α 45°    | α 60°    | α 75°    | α 90°    | Tracks | W   | Material                   |
|------|----------|----------|----------|----------|----------|----------|--------|-----|----------------------------|
| 751  | 75111114 | 75111214 | 75111314 | 75111414 | 75111514 | 75111614 | 1      | 111 | Standard codes on table    |
| 751  | 75111124 | 75111224 | 75111324 | 75111424 | 75111524 | 75111624 | 2      | 196 |                            |
| 751  | 75111134 | 75111234 | 75111334 | 75111434 | 75111534 | 75111634 | 3      | 281 | add "B" for <b>BluLub®</b> |
| 751  | 75111144 | 75111244 | 75111344 | 75111444 | 75111544 | 75111644 | 4      | 366 |                            |
| 751  | 75111154 | 75111254 | 75111354 | 75111454 | 75111554 | 75111654 | 5      | 451 | add "C" for abrasive       |
| 751  | 75111164 | 75111264 | 75111364 | 75111464 | 75111564 | 75111664 | 6      | 536 |                            |
| 751  | 75111174 | 75111274 | 75111374 | 75111474 | 75111574 | 75111674 | 7      | 621 | add "C" for abrasive       |
| 751  | 75111184 | 75111284 | 75111384 | 75111484 | 75111584 | 75111684 | 8      | 706 |                            |



# 520 M MA8 Series

Curve magnetiche, Tab & Bevel / Magnetic, Tab & Bevel corner tracks / Kurvenführungen Magnet, Tab & Bevel Version

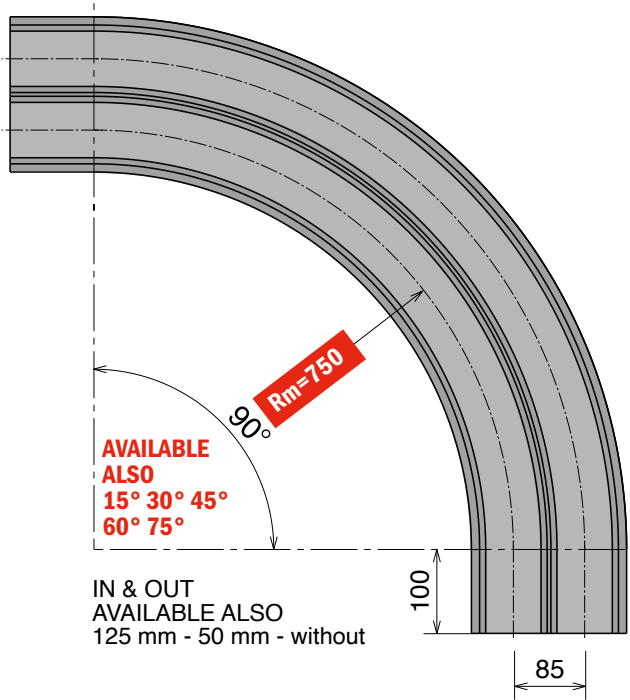
Materiale / Material / Materialien:  
 Polietilene UHMW-PE  
 Polyethylene UHMW-PE  
 Polyäthylen UHMW-PE

## 520 M MA8 Series

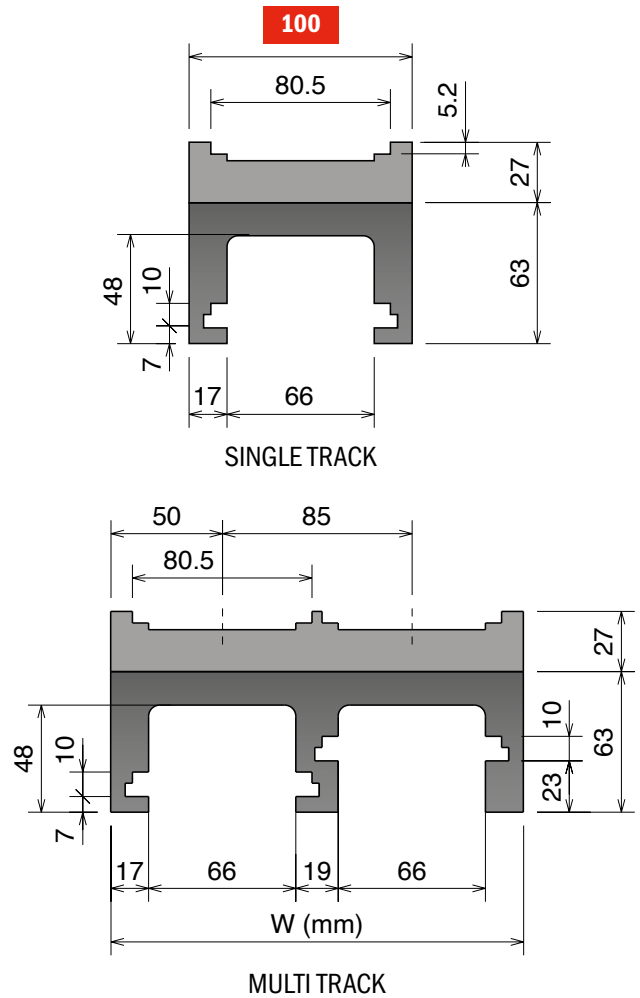
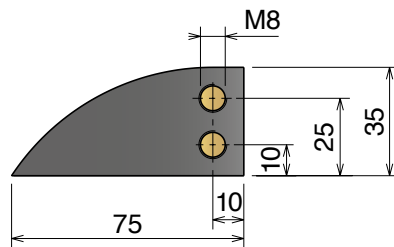
Chain Reference

520 M - K330

Curva Larghezza Base = 100 mm; Passo = 85 mm  
 Curve Basic Width = 100 mm; Pitch = 85 mm  
 Kurve Basisbreite = 100 mm; Teilung = 85 mm



Available in  
**BluLub®**



Upper part available, on request,  
 also in **BluLub®**  
 and for abrasive applications.

### MAGNETIC SYSTEM

| Part | Article-Nr. | Tracks | W   | Material                   |
|------|-------------|--------|-----|----------------------------|
| 750  | 75016614    | 1      | 100 | Standard codes on table    |
| 750  | 75016624    | 2      | 185 |                            |
| 750  | 75016634    | 3      | 270 | add "B" for <b>BluLub®</b> |
| 750  | 75016644    | 4      | 355 |                            |
| 750  | 75016654    | 5      | 440 | add "C" for abrasive       |
| 750  | 75016664    | 6      | 525 |                            |
| 750  | 75016674    | 7      | 610 |                            |
| 750  | 75016684    | 8      | 695 |                            |

## 520 M MA42 Series

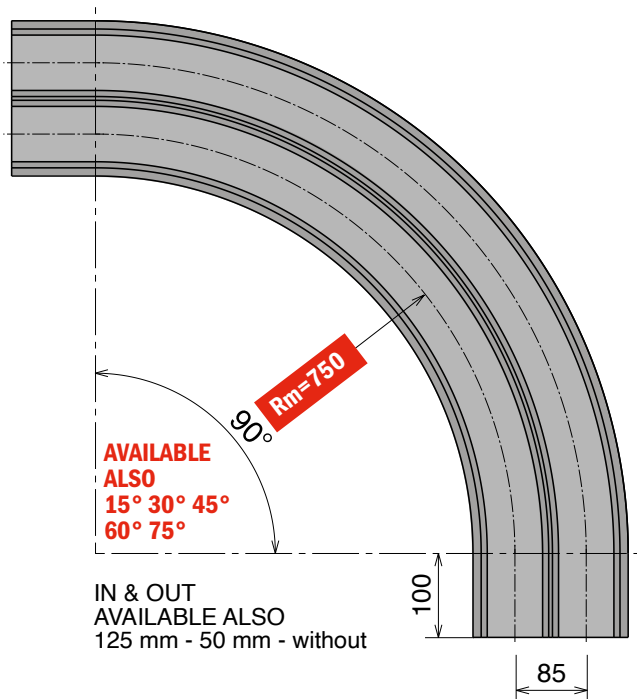
Chain Reference

520 M - K330

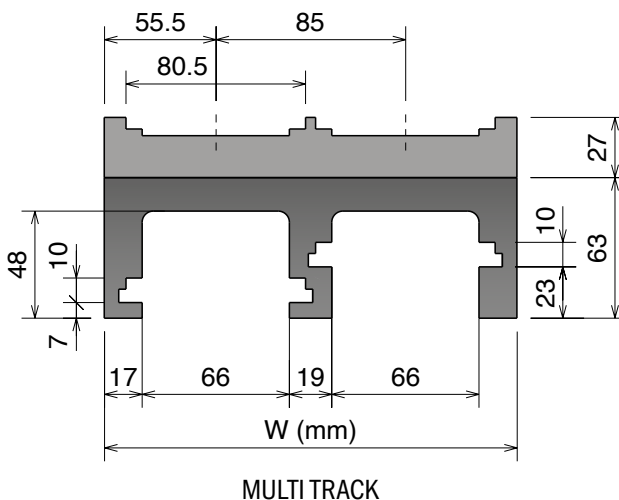
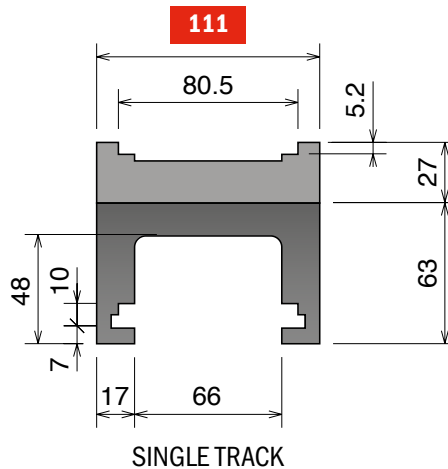
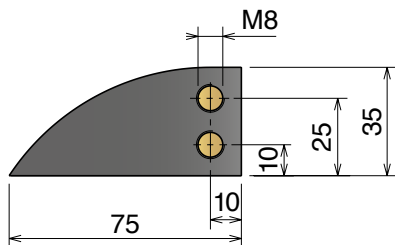
Curva Larghezza Base = 111 mm; Passo = 85 mm

Curve Basic Width = 111 mm; Pitch = 85 mm

Kurve Basisbreite = 111 mm; Teilung = 85 mm



Available in  
**BluLub®**



Upper part available, on request,  
also in **BluLub®**  
and for abrasive applications.

### MAGNETIC SYSTEM

| Part | Article-Nr. | Tracks | W   | Material                      |
|------|-------------|--------|-----|-------------------------------|
| 751  | 75116614    | 1      | 111 | Standard codes<br>on table    |
| 751  | 75116624    | 2      | 196 |                               |
| 751  | 75116634    | 3      | 281 | add "B" for<br><b>BluLub®</b> |
| 751  | 75116644    | 4      | 366 |                               |
| 751  | 75116654    | 5      | 451 | add "C"<br>for abrasive       |
| 751  | 75116664    | 6      | 536 |                               |
| 751  | 75116674    | 7      | 621 |                               |
| 751  | 75116684    | 8      | 706 |                               |

# 520 M MA43 Series

Curve magnetiche, Tab & Bevel / Magnetic, Tab & Bevel corner tracks / Kurvenführungen Magnet, Tab & Bevel Version

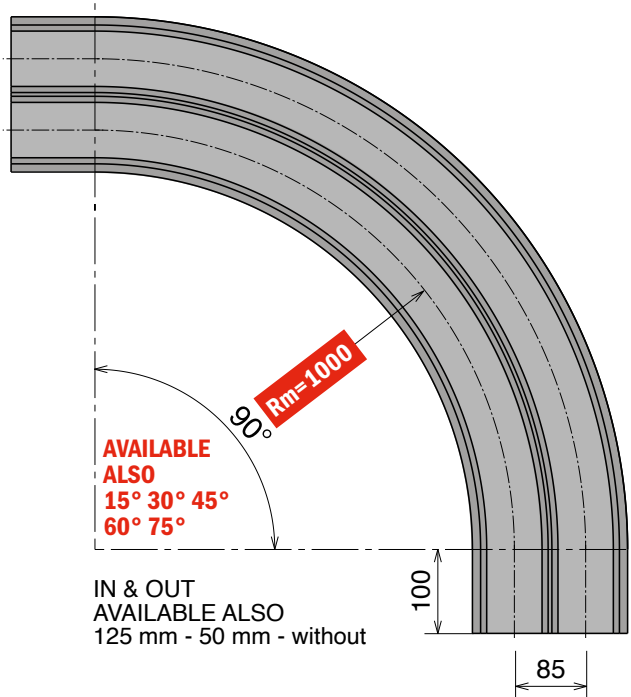
Materiale / Material / Materialien:  
 Polietilene UHMW-PE  
 Polyethylene UHMW-PE  
 Polyäthylen UHMW-PE

## 520 M MA43 Series

Chain Reference

520 M - K330

Curva Larghezza Base = 111 mm; Passo = 85 mm  
 Curve Basic Width = 111 mm; Pitch = 85 mm  
 Kurve Basisbreite = 111 mm; Teilung = 85 mm

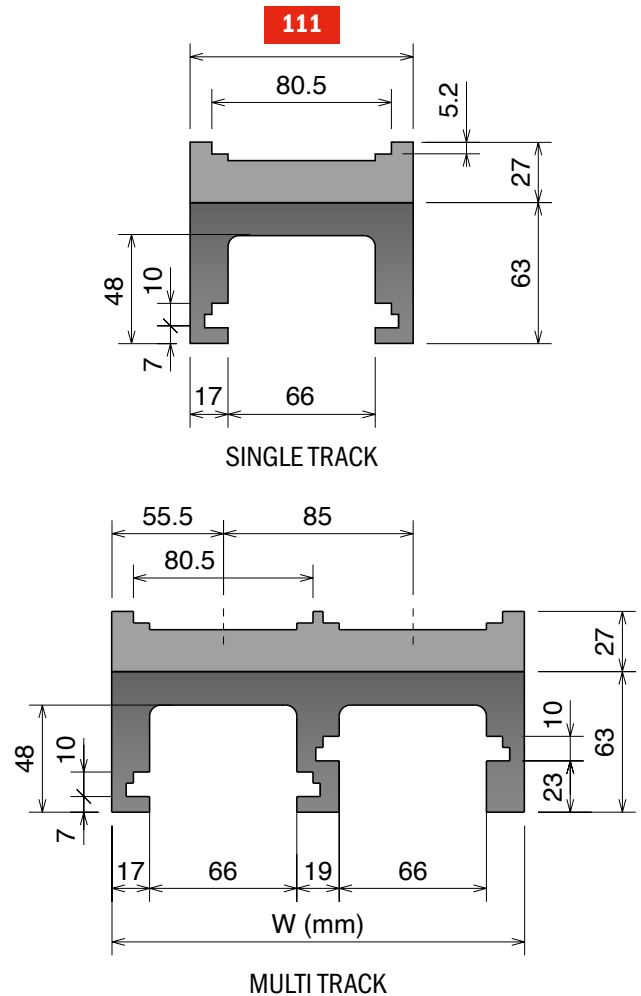
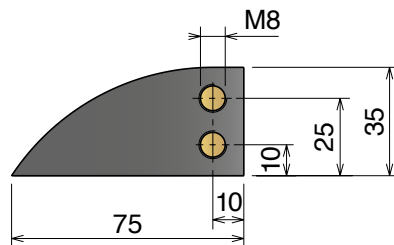


AVAILABLE ALSO  
 15° 30° 45°  
 60° 75°

IN & OUT  
 AVAILABLE ALSO  
 125 mm - 50 mm - without



Available in  
**BluLub®**



Upper part available, on request,  
 also in **BluLub®**  
 and for abrasive applications.

### MAGNETIC SYSTEM

| Part | Article-Nr. | Tracks | W   | Material                |
|------|-------------|--------|-----|-------------------------|
| 751  | 75119614    | 1      | 111 | Standard codes on table |
| 751  | 75119624    | 2      | 196 |                         |
| 751  | 75119634    | 3      | 281 | add "B" for BluLub®     |
| 751  | 75119644    | 4      | 366 |                         |
| 751  | 75119654    | 5      | 451 | add "C" for abrasive    |
| 751  | 75119664    | 6      | 536 |                         |
| 751  | 75119674    | 7      | 621 |                         |
| 751  | 75119684    | 8      | 706 |                         |



## 520 M MA5D Series

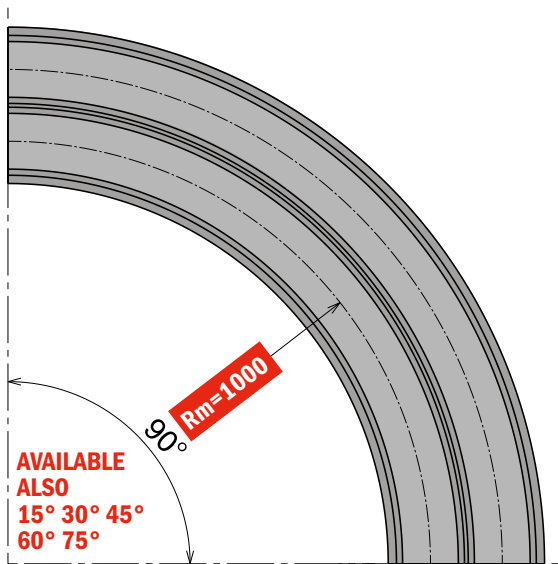
Chain Reference

520 M - K330

Curva Larghezza Base = 100 mm; Passo = 85 mm

Curve Basic Width = 100 mm; Pitch = 85 mm

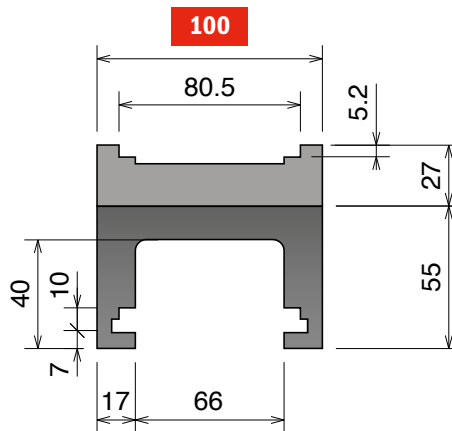
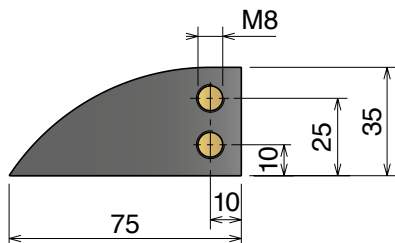
Kurve Basisbreite = 100 mm; Teilung = 85 mm



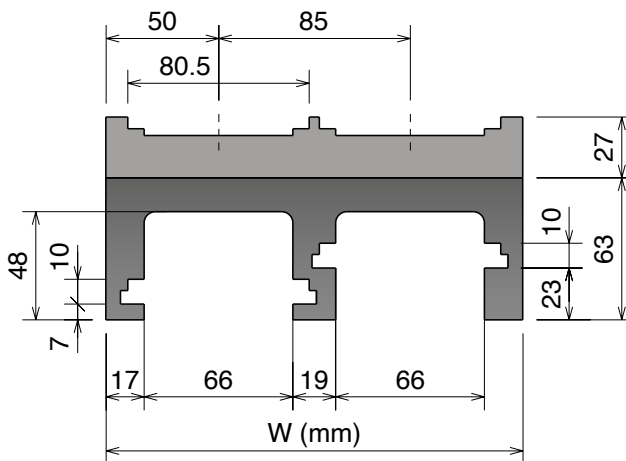
IN & OUT  
 AVAILABLE ALSO  
 125 mm - 100 mm - 50 mm



Available in  
**BluLub®**



SINGLE TRACK



MULTI TRACK

Upper part available, on request,  
 also in **BluLub®**  
 and for abrasive applications.

### MAGNETIC SYSTEM

| Part | Article-Nr. | Tracks | W   | Material  |
|------|-------------|--------|-----|---|
| 750  | 75019610    | 1      | 100 |  <b>Standard</b> codes<br>on table |
| 750  | 75019620    | 2      | 185 |   |
| 750  | 75019630    | 3      | 270 |  add "B" for<br><b>BluLub®</b>     |
| 750  | 75019640    | 4      | 355 |   |
| 750  | 75019650    | 5      | 440 |  add "C"<br>for abrasive           |
| 750  | 75019660    | 6      | 525 |   |
| 750  | 75019670    | 7      | 610 |   |
| 750  | 75019680    | 8      | 695 |   |

# 550 PRO M

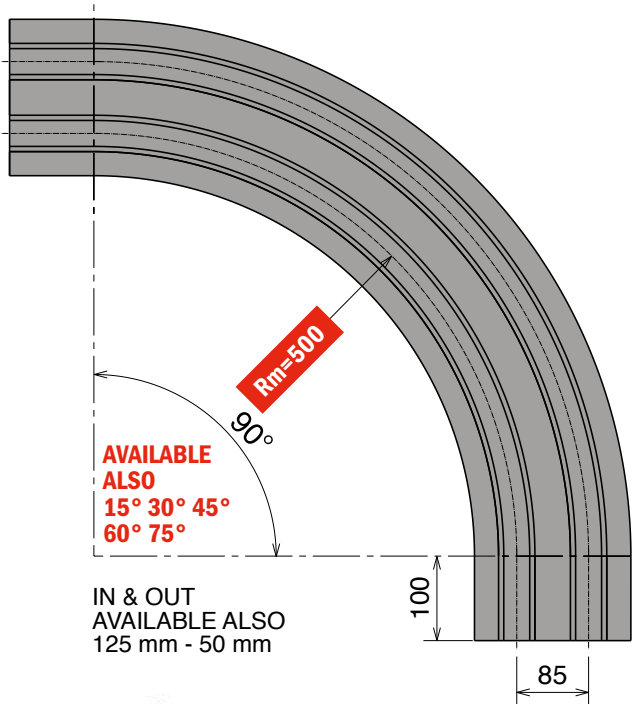
Curve magnetiche, Tab & Bevel / Magnetic, Tab & Bevel corner tracks / Kurvenführungen Magnet, Tab & Bevel Version

Materiale / Material / Materialien:  
 Polietilene UHMW-PE  
 Polyethylene UHMW-PE  
 Polyäthylen UHMW-PE

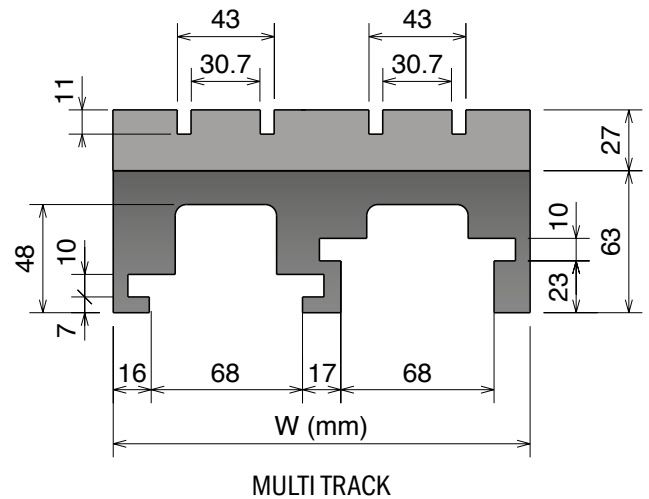
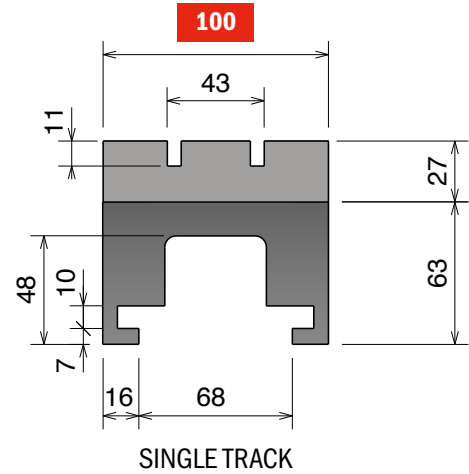
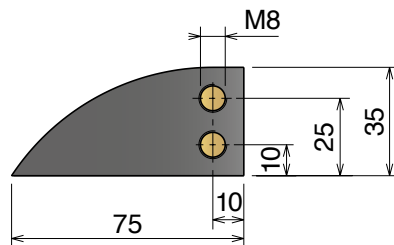
## 550 PRO M

Chain Reference 550 PRO M - K330

Curva Larghezza Base = 100 mm; Passo = 85 mm  
 Curve Basic Width = 100 mm; Pitch = 85 mm  
 Kurve Basisbreite = 100 mm; Teilung = 85 mm



Available in **BluLub**



Upper part available, on request, also in **BluLub** and for abrasive applications.

### MAGNETIC SYSTEM

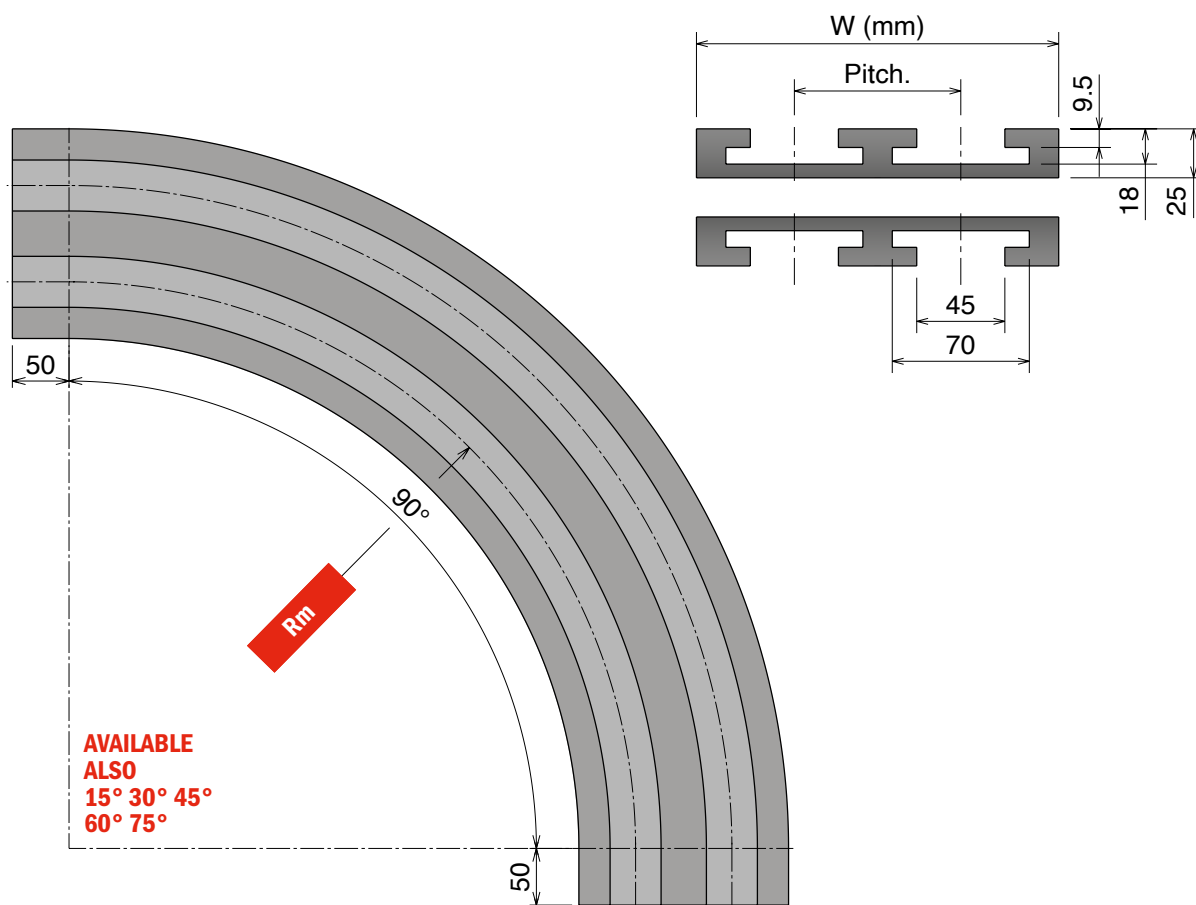
| Part | $\alpha$ 90° | Tracks | W   | Material                  |
|------|--------------|--------|-----|---------------------------|
| 752  | 75211614     | 1      | 100 | Standard codes on table   |
| 752  | 75211624     | 2      | 185 |                           |
| 752  | 75211634     | 3      | 270 | add "B" for <b>BluLub</b> |
| 752  | 75211644     | 4      | 355 |                           |
| 752  | 75211654     | 5      | 440 | add "C" for abrasive      |
| 752  | 75211664     | 6      | 525 |                           |
| 752  | 75211674     | 7      | 610 |                           |
| 752  | 75211684     | 8      | 695 |                           |

| Part | $\alpha$ 90° | Tracks | W   | Material                          |
|------|--------------|--------|-----|-----------------------------------|
| 752  | 75211614RS   | 1      | 100 | <b>RS</b> add "RS" for RS-version |
| 752  | 75211624RS   | 2      | 185 |                                   |
| 752  | 75211634RS   | 3      | 270 |                                   |
| 752  | 75211644RS   | 4      | 355 |                                   |
| 752  | 75211654RS   | 5      | 440 |                                   |
| 752  | 75211664RS   | 6      | 525 |                                   |
| 752  | 75211674RS   | 7      | 610 |                                   |
| 752  | 75211684RS   | 8      | 695 |                                   |

# 878-879-880-881-888-260-261 TAB






Chain Reference 878-879 TAB - K325/K450 880-881 TAB - K325/K450/K750 8881 TAB - K325/K330/K450/K750 888 TAB - W80/140/200 260-261 TAB - K330/K450

Supply: Set of 2 pieces (upper & return)



Upper part available, on request,  
 also in **BluLub®**  
 and for abrasive applications.

## TAB SYSTEM

| Part        | Rm 500   | Rm 610   | Rm 800   | Rm 1000  | Tracks | W   | Pitch | Material  |
|-------------|----------|----------|----------|----------|--------|-----|-------|---|
| <b>K325</b> |          |          |          |          |        |     |       |   |
| 720         | 72021612 | 72023612 | 72027612 | 72029612 | 1      | 100 | 85    | <br>Standard codes on table<br><br>Upper part:<br> add "B" for BluLub®<br> add "C" for abrasive<br><br>Upper and return part:<br> add "BB" for BluLub®<br> add "CC" for abrasive |
| 720         | 72021622 | 72023622 | 72027622 | 72029622 | 2      | 185 |       |   |
| 720         | 72021632 | 72023632 | 72027632 | 72029632 | 3      | 270 |       |   |
| 720         | 72021642 | 72023642 | 72027642 | 72029642 | 4      | 355 |       |   |
| 720         | 72021652 | 72023652 | 72027652 | 72029652 | 5      | 440 |       |   |
| 720         | 72021662 | 72023662 | 72027662 | 72029662 | 6      | 525 |       |   |
| <b>K450</b> |          |          |          |          |        |     |       |   |
| 721         | 72121612 | 72123612 | 72127612 | 72129612 | 1      | 130 | 120   |   |
| 721         | 72121622 | 72123622 | 72127622 | 72129622 | 2      | 250 |       |   |
| 721         | 72121632 | 72123632 | 72127632 | 72129632 | 3      | 370 |       |   |
| 721         | 72121642 | 72123642 | 72127642 | 72129642 | 4      | 490 |       |   |
| 721         | 72121652 | 72123652 | 72127652 | 72129652 | 5      | 610 |       |   |
| 721         | 72121662 | 72123662 | 72127662 | 72129662 | 6      | 730 |       |   |
| <b>K750</b> |          |          |          |          |        |     |       |   |
| 722         | 72221612 | 72223612 | 72227612 | 72229612 | 1      | 200 | 195   |   |
| 722         | 72221622 | 72223622 | 72227622 | 72229622 | 2      | 395 |       |   |
| 722         | 72221632 | 72223632 | 72227632 | 72229632 | 3      | 590 |       |   |
| 722         | 72221642 | 72223642 | 72227642 | 72229642 | 4      | 785 |       |   |

# 878 TAB-880 TAB BO

Curve magnetiche, Tab & Bevel / Magnetic, Tab & Bevel corner tracks / Kurvenführungen Magnet, Tab & Bevel Version

Materiale / Material / Materialien:  
 Polietilene UHMW-PE  
 Polyethylene UHMW-PE  
 Polyäthylen UHMW-PE

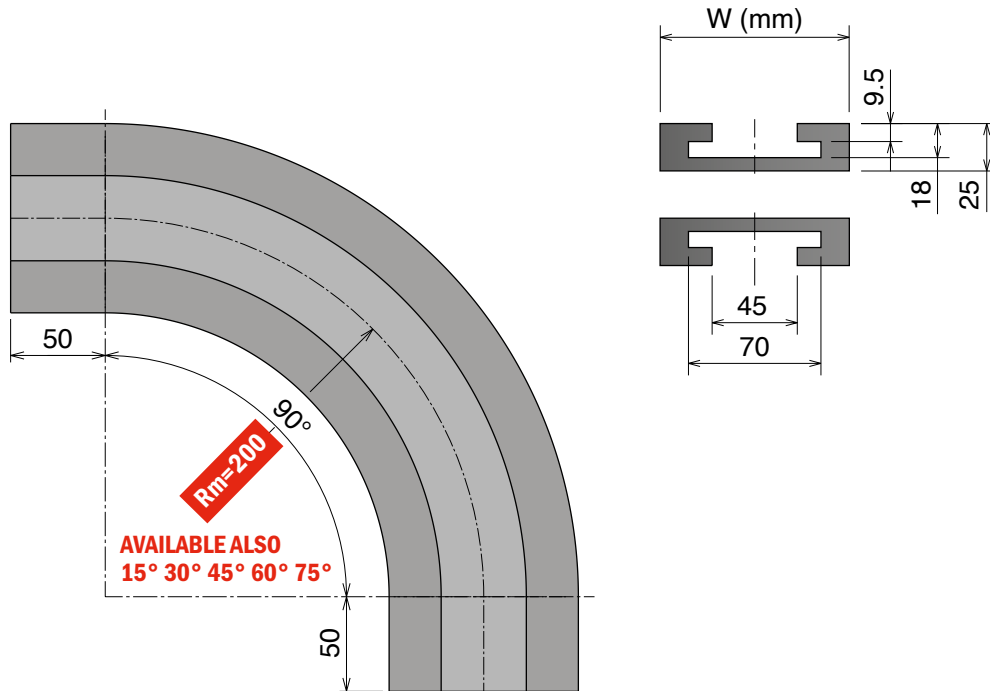
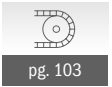
## NEW 878 TAB - 880 TAB BO

Chain Reference

878 TAB - K325/K450



880 TAB BO - K325/K450


Supply: Set of 2 pieces (upper & return)



Upper part available, on request,  
 also in **BluLub®**  
 and for abrasive applications.

### TAB SYSTEM

| Part        | Rm 200   | Tracks | W   | Material   |
|-------------|----------|--------|-----|--|
| <b>K325</b> |          |        |     |  |
| 744         | 74420612 | 1      | 100 |  <b>Standard codes</b><br>on table                            |
| <b>K450</b> |          |        |     |  |
| 745         | 74520612 | 1      | 130 | <b>Upper part:</b><br> add " <b>B</b> " for<br><b>BluLub®</b> |


 add "**C**"  
 for abrasive

**Upper and return part:**  

 add "**BB**" for  
**BluLub®**  

 add "**CC**"  
 for abrasive



**Materiale / Material / Materialien:**  
 Polietilene UHMW-PE  
 Polyethylene UHMW-PE  
 Polyäthylen UHMW-PE

# 888 TAB

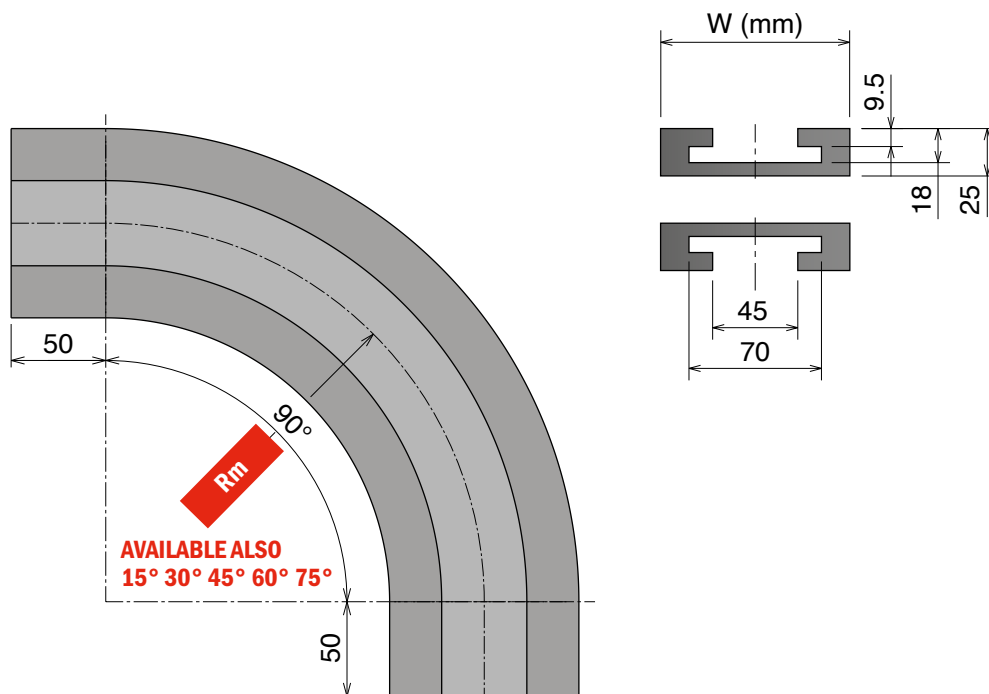
Curve magnetiche, Tab & Bevel / Magnetic, Tab & Bevel corner tracks / Kurvenführungen Magnet, Tab & Bevel Version

## NEW 888 TAB

Chain Reference **888 TAB - W80/140/200**

Delivery: **Easy** **Standard**

Supply: Set of 2 pieces (upper & return)



### TAB SYSTEM

Upper part available, on request, also in **BluLub®** and for abrasive applications.




**BluLub®**  
 Strongly recommended

| Part        | Rm 200   | Rm 500   | Tracks | W   | Material  |
|-------------|----------|----------|--------|-----|---|
| <b>W80</b>  |          |          |        |     |   |
| 744         | 74420612 | 72021612 | 1      | 100 |  <b>Standard</b> codes on table                |
| <b>W140</b> |          |          |        |     |   |
| 746         | -        | 74621612 | 1      | 155 | <b>Upper part:</b>  add "B" for <b>BluLub®</b> |
| <b>W200</b> |          |          |        |     |   |
| 747         | -        | 74721612 | 1      | 215 |  add "C" for abrasive                          |

#### Upper and return part:

 add "BB" for **BluLub®**

 add "CC" for abrasive

# 882 TAB

Curve magnetiche, Tab & Bevel / Magnetic, Tab & Bevel corner tracks / Kurvenführungen Magnet, Tab & Bevel Version

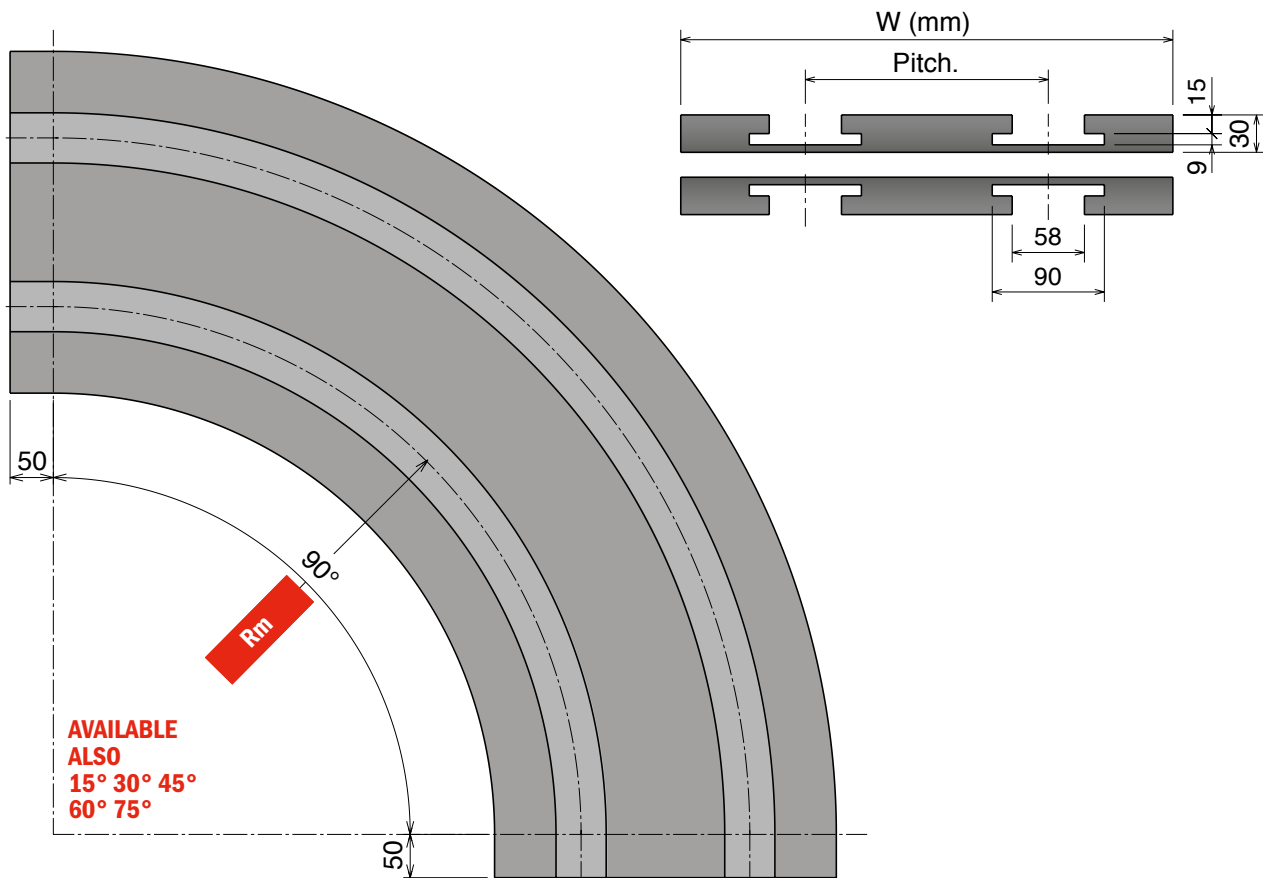
Materiale / Material / Materialien:  
 Polietilene UHMW-PE  
 Polyethylene UHMW-PE  
 Polyäthylen UHMW-PE

## 882 TAB

Chain Reference 882 TAB - K450/K750/K1000/K1200

Delivery: Easy Standard

Supply: Set of 2 pieces (upper & return)



AVAILABLE  
 ALSO  
 15° 30° 45°  
 60° 75°

Upper part available, on request,  
 also in **BluLub**®  
 and for abrasive applications.

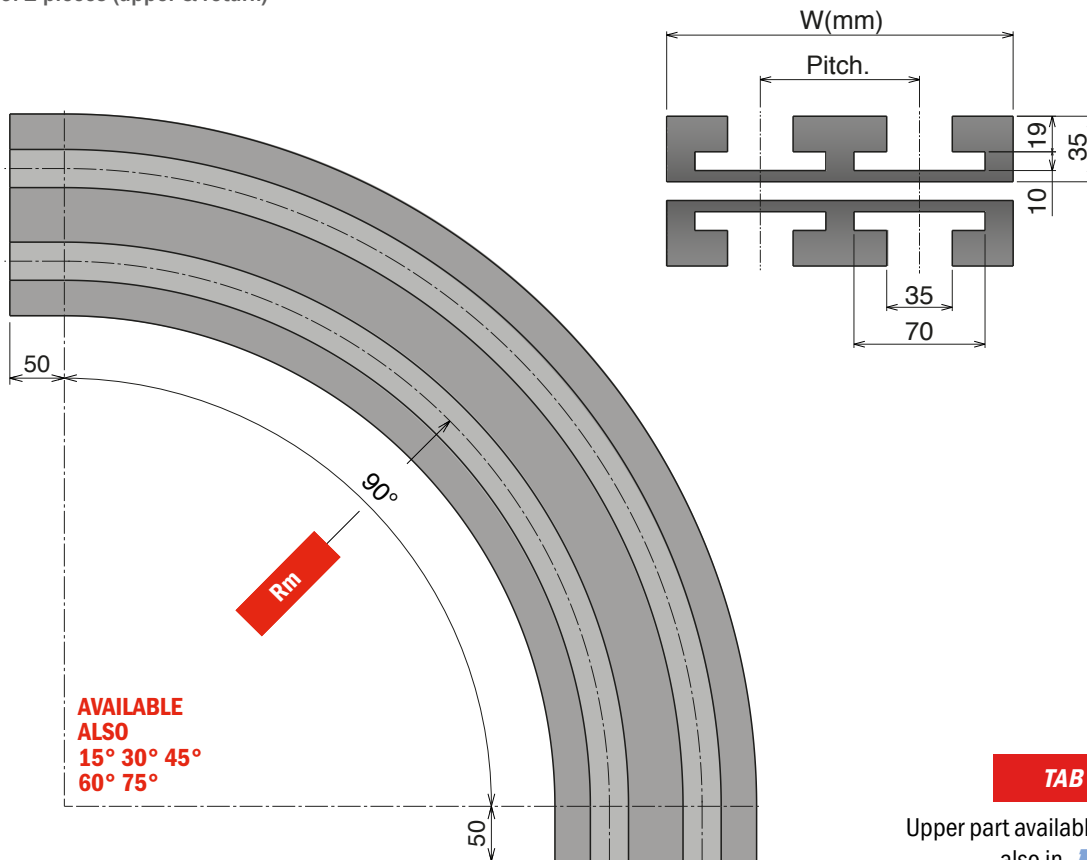
### TAB SYSTEM

| Part         | Rm 610   | Rm 800   | Rm 1000  | Tracks | W    | Pitch | Material  |
|--------------|----------|----------|----------|--------|------|-------|---|
| <b>K450</b>  |          |          |          |        |      |       |   |
| 727          | 72723612 | 72727612 | 72729612 | 1      | 130  | 120   | Standard codes on table   |
| 727          | 72723622 | 72727622 | 72729622 | 2      | 250  |       |   |
| 727          | 72723632 | 72727632 | 72729632 | 3      | 370  |       |   |
| 727          | 72723642 | 72727642 | 72729642 | 4      | 490  |       |   |
| <b>K750</b>  |          |          |          |        |      |       |   |
| 723          | 72323612 | 72327612 | 72329612 | 1      | 200  | 195   | Upper part:<br>add "B" for <b>BluLub</b> ®<br>add "C" for abrasive              |
| 723          | 72323622 | 72327622 | 72329622 | 2      | 395  |       |   |
| 723          | 72323632 | 72327632 | 72329632 | 3      | 590  |       |   |
| 723          | 72323642 | 72327642 | 72329642 | 4      | 785  |       |   |
| <b>K1000</b> |          |          |          |        |      |       |   |
| 724          | 72423612 | 72427612 | 72429612 | 1      | 270  | 260   | Upper and return part:<br>add "BB" for <b>BluLub</b> ®<br>add "CC" for abrasive |
| 724          | 72423622 | 72427622 | 72429622 | 2      | 530  |       |   |
| 724          | 72423632 | 72427632 | 72429632 | 3      | 790  |       |   |
| 724          | 72423642 | 72427642 | 72429642 | 4      | 1050 |       |   |
| <b>K1200</b> |          |          |          |        |      |       |   |
| 725          | 72523612 | 72527612 | 72529612 | 1      | 320  | 310   |   |
| 725          | 72523622 | 72527622 | 72529622 | 2      | 630  |       |   |
| 725          | 72523632 | 72527632 | 72529632 | 3      | 940  |       |   |
| 725          | 72523642 | 72527642 | 72529642 | 4      | 1250 |       |   |

# 1873-1874 TAB

Chain Reference 1873 TAB-1874 TAB - K325/K450/K600/K750/K1000/K1200






Supply: Set of 2 pieces (upper & return)



AVAILABLE  
 ALSO  
 15° 30° 45°  
 60° 75°

### TAB SYSTEM

Upper part available, on request,  
 also in **BluLub**<sup>®</sup>  
 and for abrasive applications.

| Part         | Rm 500   | Rm 610   | Rm 800   | Rm 1000  | Tracks | W   | Pitch | Material   |
|--------------|----------|----------|----------|----------|--------|-----|-------|--|
| <b>K325</b>  |          |          |          |          |        |     |       |  |
| 726          | 72621612 | 72623612 | 72627612 | 72629612 | 1      | 100 | 85    |  <b>Standard</b> codes on table<br>Upper part:  |
| 726          | 72621622 | 72623622 | 72627622 | 72629622 | 2      | 185 |       |  |
| 726          | 72621632 | 72623632 | 72627632 | 72629632 | 3      | 270 |       |  |
| 726          | 72621642 | 72623642 | 72627642 | 72629642 | 4      | 355 |       |  |
| <b>K450</b>  |          |          |          |          |        |     |       |  |
| 728          | 72821612 | 72823612 | 72827612 | 72829612 | 1      | 130 | 120   |  add " <b>B</b> " for <b>BluLub</b> <sup>®</sup><br> add " <b>C</b> " for abrasive                             |
| 728          | 72821622 | 72823622 | 72827622 | 72829622 | 2      | 250 |       |  |
| 728          | 72821632 | 72823632 | 72827632 | 72829632 | 3      | 370 |       |  |
| 728          | 72821642 | 72823642 | 72827642 | 72829642 | 4      | 490 |       |  |
| <b>K600</b>  |          |          |          |          |        |     |       |  |
| 729          | 72921612 | 72923612 | 72927612 | 72929612 | 1      | 170 | 160   | Upper and return part:<br> add " <b>BB</b> " for <b>BluLub</b> <sup>®</sup><br> add " <b>CC</b> " for abrasive |
| 729          | 72921622 | 72923622 | 72927622 | 72929622 | 2      | 330 |       |  |
| 729          | 72921632 | 72923632 | 72927632 | 72929632 | 3      | 490 |       |  |
| 729          | 72921642 | 72923642 | 72927642 | 72929642 | 4      | 650 |       |  |
| <b>K750</b>  |          |          |          |          |        |     |       |  |
| 737          | 73721612 | 73723612 | 73727612 | 73729612 | 1      | 200 | 195   |  |
| 737          | 73721622 | 73723622 | 73727622 | 73729622 | 2      | 395 |       |  |
| 737          | 73721632 | 73723632 | 73727632 | 73729632 | 3      | 590 |       |  |
| 737          | 73721642 | 73723642 | 73727642 | 73729642 | 4      | 785 |       |  |
| <b>K1000</b> |          |          |          |          |        |     |       |  |
| 738          | 73821612 | 73823612 | 73827612 | 73829612 | 1      | 270 | 260   |  |
| 738          | 73821622 | 73823622 | 73827622 | 73829622 | 2      | 530 |       |  |
| <b>K1200</b> |          |          |          |          |        |     |       |  |
| 739          | 73921612 | 73923612 | 73927612 | 73929612 | 1      | 320 | 310   |  |
| 739          | 73921622 | 73923622 | 73927622 | 73929622 | 2      | 630 |       |  |

# 1843 TAB

Curve magnetiche, Tab & Bevel / Magnetic, Tab & Bevel corner tracks / Kurvenführungen Magnet, Tab & Bevel Version

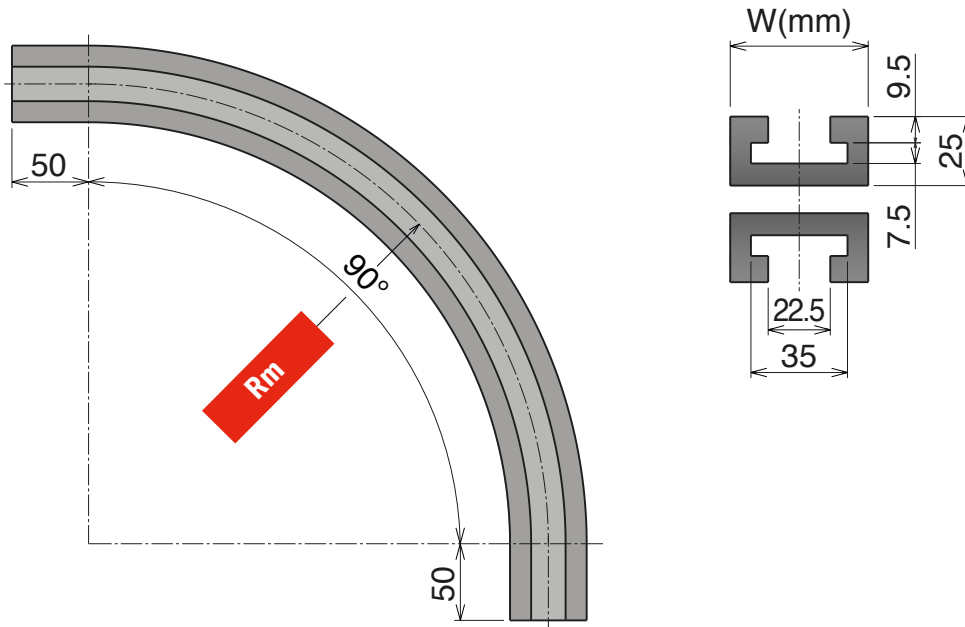
Materiale / Material / Materialien:  
 Polietilene UHMW-PE  
 Polyethylene UHMW-PE  
 Polyäthylen UHMW-PE

# 1843 TAB

Chain Reference



1843 TAB - K125/K200



Supply: Set of 2 pieces (upper & return)



Upper part available, on request,  
 also in **BluLub®**  
 and for abrasive applications.

### TAB SYSTEM

| Part        | Rm 300   | Rm 500   | Tracks | W  | Material   |
|-------------|----------|----------|--------|----|--|
| <b>K125</b> |          |          |        |    |  |
| 740         | 74020612 | 74021612 | 1      | 50 |  <b>Standard</b> codes on table   |
| <b>K200</b> |          |          |        |    |  |
| 741         | 74120612 | 74121612 | 1      | 70 | <b>Upper part:</b><br> add " <b>B</b> " for <b>BluLub®</b><br> add " <b>C</b> " for abrasive |

**Upper and return part:**  
 add "**BB**" for **BluLub®**  
 add "**CC**" for abrasive

Curve magnetiche, Tab & Bevel / Magnetic, Tab & Bevel corner tracks / Kurvenführungen Magnet, Tab & Bevel Version



**Materiale / Material / Materialien:**  
 Polietilene UHMW-PE  
 Polyethylene UHMW-PE  
 Polyäthylen UHMW-PE

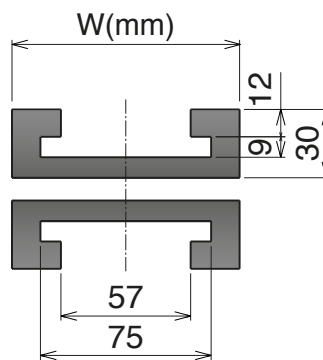
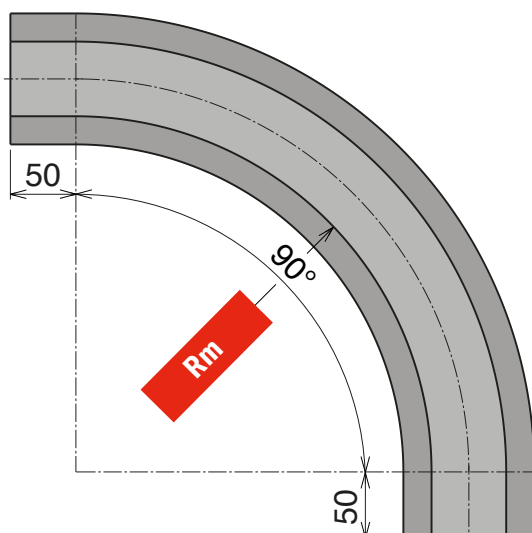
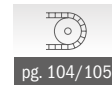
# 1701 TAB-1706 TAB

Curve magnetiche, Tab & Bevel / Magnetic, Tab & Bevel corner tracks / Kurvenführungen Magnet, Tab & Bevel Version

## 1701 TAB-1706 TAB


Chain Reference 1701 TAB - 1701 TAB OP - 1701 TAB OPF - 1706 TAB - K55

Supply: Set of 2 pieces (upper & return)




Upper part available, on request,  
 also in **BluLub®**  
 and for abrasive applications.

### TAB SYSTEM

| Part       | Rm 250   | Rm 500   | Tracks | W   | Material   |
|------------|----------|----------|--------|-----|--|
| <b>K55</b> |          |          |        |     |  |
| 742        | 74220612 | 74221612 | 1      | 100 |  <b>Standard</b> codes on table |


#### Upper part:

 add "**B**" for **BluLub®**

 add "**C**" for abrasive

#### Upper and return part:

 add "**BB**" for **BluLub®**

 add "**CC**" for abrasive

# 600 Standard and Small radius

Tratti rettilinei / Straight track section / Gerade Schienen

Materiale / Material / Materialien:  
 Polietilene UHMW-PE  
 Polyethylene UHMW-PE  
 Polyäthylen UHMW-PE

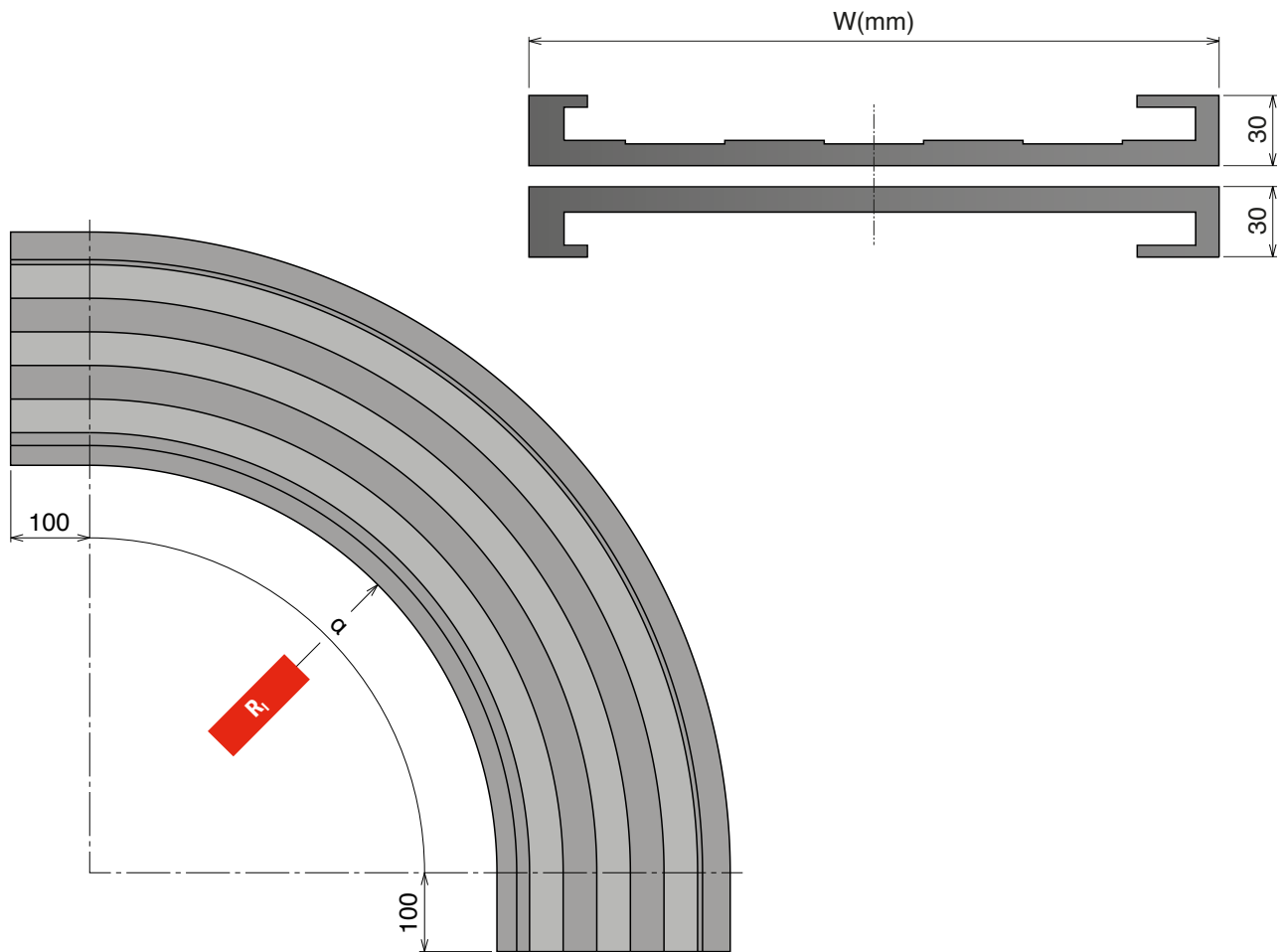
## NEW 600 Standard and Small radius

Belt Reference

600 Standard

600 Small radius

Supply: Set of 2 pieces (upper & return)



Upper part available, on request,  
 also in **BluLub**®  
 add "B" at the end of the code

### 600 Standard

| Part | $\alpha 15^\circ$ | $\alpha 30^\circ$ | $\alpha 45^\circ$ | $\alpha 60^\circ$ | $\alpha 75^\circ$ | $\alpha 90^\circ$ | Curve radius<br>$R_1$ | Curve width<br>W | Min. belt radius<br>$R_B$ | Belt width<br>$W_B$ |
|------|-------------------|-------------------|-------------------|-------------------|-------------------|-------------------|-----------------------|------------------|---------------------------|---------------------|
| 760  | 76041114          | 76041214          | 76041314          | 76041414          | 76041514          | 76041614          | 515                   | 295              | 510                       | 255                 |
| 760  | 76042124          | 76042224          | 76042324          | 76042424          | 76042524          | 76042624          | 685                   | 380              | 680                       | 340                 |
| 760  | 76043134          | 76043234          | 76043334          | 76043434          | 76043534          | 76043634          | 855                   | 465              | 850                       | 425                 |
| 760  | 76044144          | 76044244          | 76044344          | 76044444          | 76044544          | 76044644          | 1025                  | 550              | 1020                      | 510                 |
| 760  | 76045154          | 76045254          | 76045354          | 76045454          | 76045554          | 76045654          | 1195                  | 635              | 1190                      | 595                 |
| 760  | 76046164          | 76046264          | 76046364          | 76046464          | 76046564          | 76046664          | 1365                  | 720              | 1360                      | 680                 |
| 760  | 76047174          | 76047274          | 76047374          | 76047474          | 76047574          | 76047674          | 1535                  | 805              | 1530                      | 765                 |
| 760  | 76048184          | 76048284          | 76048384          | 76048484          | 76048584          | 76048684          | 1705                  | 890              | 1700                      | 850                 |

### 600 Small radius

| Part | $\alpha 15^\circ$ | $\alpha 30^\circ$ | $\alpha 45^\circ$ | $\alpha 60^\circ$ | $\alpha 75^\circ$ | $\alpha 90^\circ$ | Curve radius<br>$R_1$ | Curve width<br>W | Min. belt radius<br>$R_B$ | Belt width<br>$W_B$ |
|------|-------------------|-------------------|-------------------|-------------------|-------------------|-------------------|-----------------------|------------------|---------------------------|---------------------|
| 760  | 76051124          | 76051224          | 76051324          | 76051424          | 76051524          | 76051624          | 405                   | 380              | 400                       | 340                 |
| 760  | 76052134          | 76052234          | 76052334          | 76052434          | 76052534          | 76052634          | 505                   | 465              | 500                       | 425                 |
| 760  | 76053144          | 76053244          | 76053344          | 76053444          | 76053544          | 76053644          | 605                   | 550              | 600                       | 510                 |
| 760  | 76054154          | 76054254          | 76054354          | 76054454          | 76054554          | 76054654          | 725                   | 635              | 720                       | 595                 |
| 760  | 76055164          | 76055264          | 76055364          | 76055464          | 76055564          | 76055664          | 885                   | 720              | 880                       | 680                 |
| 760  | 76056174          | 76056274          | 76056374          | 76056474          | 76056574          | 76056674          | 1045                  | 805              | 1040                      | 765                 |
| 760  | 76057184          | 76057284          | 76057384          | 76057484          | 76057584          | 76057684          | 1205                  | 890              | 1200                      | 850                 |

NEW

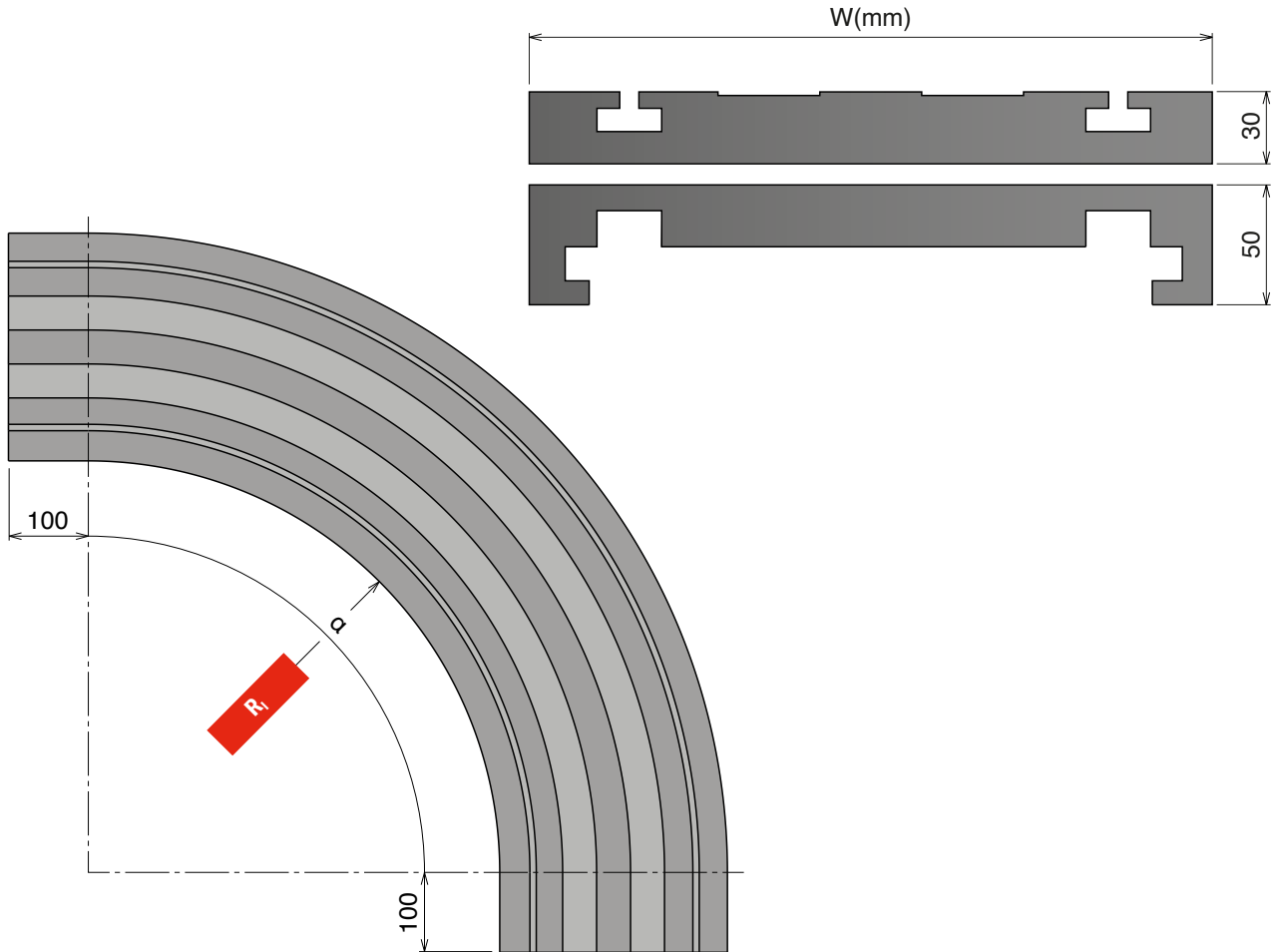
## 600 Standard and Small radius - TAB Version

Belt Reference

600 Standard - TAB / Reverse TAB / TAB reverse TAB

600 Small radius - TAB / Reverse TAB / TAB reverse TAB

Supply: Set of 2 pieces (upper & return)



Upper part available, on request,  
 also in **BluLub®**  
 add "B" at the end of the code

### 600 Standard - TAB / Reverse TAB / TAB reverse TAB

| Part | $\alpha$ 15° | $\alpha$ 30° | $\alpha$ 45° | $\alpha$ 60° | $\alpha$ 75° | $\alpha$ 90° | Curve radius $R_i$ | Curve width $W$ | Min. belt radius $R_B$ | Belt width $W_B$ |
|------|--------------|--------------|--------------|--------------|--------------|--------------|--------------------|-----------------|------------------------|------------------|
| 761  | 76141114     | 76141214     | 76141314     | 76141414     | 76141514     | 76141614     | 515                | 285             | 510                    | 255              |
| 761  | 76142124     | 76142224     | 76142324     | 76142424     | 76142524     | 76142624     | 685                | 370             | 680                    | 340              |
| 761  | 76143134     | 76143234     | 76143334     | 76143434     | 76143534     | 76143634     | 855                | 455             | 850                    | 425              |
| 761  | 76144144     | 76144244     | 76144344     | 76144444     | 76144544     | 76144644     | 1025               | 540             | 1020                   | 510              |
| 761  | 76145154     | 76145254     | 76145354     | 76145454     | 76145554     | 76145654     | 1195               | 625             | 1190                   | 595              |
| 761  | 76146164     | 76146264     | 76146364     | 76146464     | 76146564     | 76146664     | 1365               | 710             | 1360                   | 680              |
| 761  | 76147174     | 76147274     | 76147374     | 76147474     | 76147574     | 76147674     | 1535               | 795             | 1530                   | 765              |
| 761  | 76148184     | 76148284     | 76148384     | 76148484     | 76148584     | 76148684     | 1705               | 880             | 1700                   | 850              |

### 600 Small radius - TAB / Reverse TAB / TAB reverse TAB

| Part | $\alpha$ 15° | $\alpha$ 30° | $\alpha$ 45° | $\alpha$ 60° | $\alpha$ 75° | $\alpha$ 90° | Curve radius $R_i$ | Curve width $W$ | Min. belt radius $R_B$ | Belt width $W_B$ |
|------|--------------|--------------|--------------|--------------|--------------|--------------|--------------------|-----------------|------------------------|------------------|
| 761  | 76151124     | 76151224     | 76151324     | 76151424     | 76151524     | 76151624     | 405                | 370             | 400                    | 340              |
| 761  | 76152134     | 76152234     | 76152334     | 76152434     | 76152534     | 76152634     | 505                | 455             | 500                    | 425              |
| 761  | 76153144     | 76153244     | 76153344     | 76153444     | 76153544     | 76153644     | 605                | 540             | 600                    | 510              |
| 761  | 76154154     | 76154254     | 76154354     | 76154454     | 76154554     | 76154654     | 725                | 625             | 720                    | 595              |
| 761  | 76155164     | 76155264     | 76155364     | 76155464     | 76155564     | 76155664     | 885                | 710             | 880                    | 680              |
| 761  | 76156174     | 76156274     | 76156374     | 76156474     | 76156574     | 76156674     | 1045               | 795             | 1040                   | 765              |
| 761  | 76157184     | 76157284     | 76157384     | 76157484     | 76157584     | 76157684     | 1205               | 880             | 1200                   | 850              |

# 600 Heavy duty and Heavy duty/Small radius

Tratti rettilinei / Straight track section / Gerade Schienen

Materiale / Material / Materialien:  
 Polietilene UHMW-PE / **BluLub**  
 Polyethylene UHMW-PE / **BluLub**  
 Polyäthylen UHMW-PE / **BluLub**

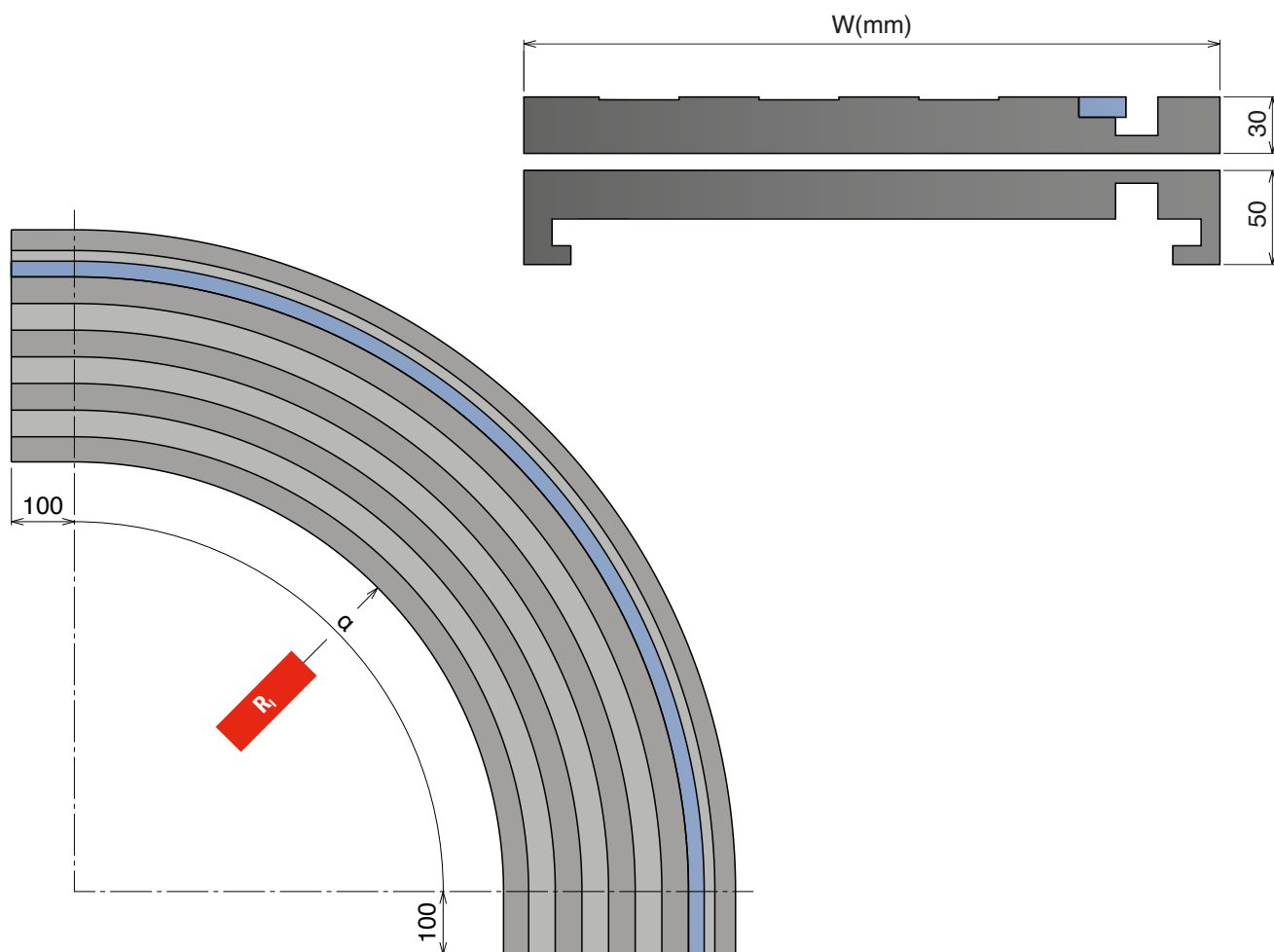
## NEW 600 Heavy duty and Heavy duty/Small radius

Belt Reference

600 Heavy duty

600 Heavy duty / Small radius

Supply: Set of 2 pieces (upper & return)



### 600 Heavy duty

Standard with **BluLub**® strip for minimized friction

| Part | $\alpha 15^\circ$ | $\alpha 30^\circ$ | $\alpha 45^\circ$ | $\alpha 60^\circ$ | $\alpha 75^\circ$ | $\alpha 90^\circ$ | Curve radius $R_i$ | Curve width $W$ | Min. belt radius $R_B$ | Belt width $W_B$ |
|------|-------------------|-------------------|-------------------|-------------------|-------------------|-------------------|--------------------|-----------------|------------------------|------------------|
| 762  | 76241114          | 76241214          | 76241314          | 76241414          | 76241514          | 76241614          | 515                | 285             | 510                    | 255              |
| 762  | 76242124          | 76242224          | 76242324          | 76242424          | 76242524          | 76242624          | 685                | 370             | 680                    | 340              |
| 762  | 76243134          | 76243234          | 76243334          | 76243434          | 76243534          | 76243634          | 855                | 455             | 850                    | 425              |
| 762  | 76244144          | 76244244          | 76244344          | 76244444          | 76244544          | 76244644          | 1025               | 540             | 1020                   | 510              |
| 762  | 76245154          | 76245254          | 76245354          | 76245454          | 76245554          | 76245654          | 1195               | 625             | 1190                   | 595              |
| 762  | 76246164          | 76246264          | 76246364          | 76246464          | 76246564          | 76246664          | 1365               | 710             | 1360                   | 680              |
| 762  | 76247174          | 76247274          | 76247374          | 76247474          | 76247574          | 76247674          | 1535               | 795             | 1530                   | 765              |
| 762  | 76248184          | 76248284          | 76248384          | 76248484          | 76248584          | 76248684          | 1705               | 880             | 1700                   | 850              |

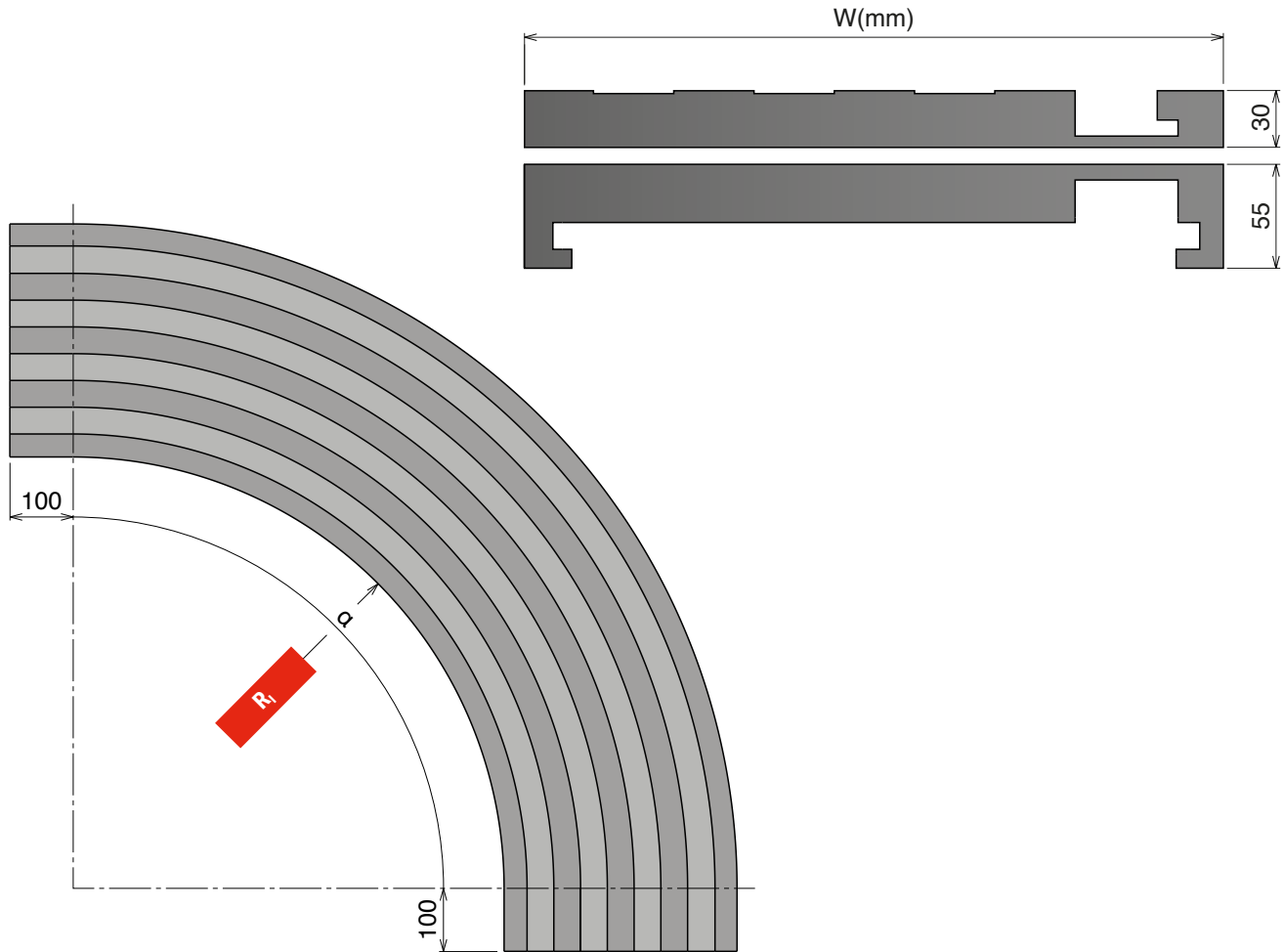
### 600 Heavy duty/Small radius

| Part | $\alpha 15^\circ$ | $\alpha 30^\circ$ | $\alpha 45^\circ$ | $\alpha 60^\circ$ | $\alpha 75^\circ$ | $\alpha 90^\circ$ | Curve radius $R_i$ | Curve width $W$ | Min. belt radius $R_B$ | Belt width $W_B$ |
|------|-------------------|-------------------|-------------------|-------------------|-------------------|-------------------|--------------------|-----------------|------------------------|------------------|
| 762  | 76250114          | 76250214          | 76250314          | 76250414          | 76250514          | 76250614          | 395                | 285             | 390                    | 255              |
| 762  | 76251124          | 76251224          | 76251324          | 76251424          | 76251524          | 76251624          | 425                | 370             | 420                    | 340              |
| 762  | 76252134          | 76252234          | 76252334          | 76252434          | 76252534          | 76252634          | 505                | 455             | 500                    | 425              |
| 762  | 76253144          | 76253244          | 76253344          | 76253444          | 76253544          | 76253644          | 605                | 540             | 600                    | 510              |
| 762  | 76254154          | 76254254          | 76254354          | 76254454          | 76254554          | 76254654          | 725                | 625             | 720                    | 595              |
| 762  | 76255164          | 76255264          | 76255364          | 76255464          | 76255564          | 76255664          | 885                | 710             | 880                    | 680              |
| 762  | 76256174          | 76256274          | 76256374          | 76256474          | 76256574          | 76256674          | 1045               | 795             | 1040                   | 765              |
| 762  | 76257184          | 76257284          | 76257384          | 76257484          | 76257584          | 76257684          | 1205               | 880             | 1200                   | 850              |

**NEW** **600 with Bearings**

Belt Reference    **600 Heavy duty with Bearings**    600 Heavy duty/Small radius with Bearings

Supply: Set of 2 pieces (upper & return)



Upper part available, on request,  
 also in **BluLub®**  
 add "B" at the end of the code

**600 Heavy duty with Bearings**

| Part | $\alpha$ 15° | $\alpha$ 30° | $\alpha$ 45° | $\alpha$ 60° | $\alpha$ 75° | $\alpha$ 90° | Curve radius $R_i$ | Curve width $W$ | Min. belt radius $R_B$ | Belt width $W_B$ |
|------|--------------|--------------|--------------|--------------|--------------|--------------|--------------------|-----------------|------------------------|------------------|
| 763  | 76341114     | 76341214     | 76341314     | 76341414     | 76341514     | 76341614     | 515                | 285             | 510                    | 255              |
| 763  | 76342124     | 76342224     | 76342324     | 76342424     | 76342524     | 76342624     | 685                | 370             | 680                    | 340              |
| 763  | 76343134     | 76343234     | 76343334     | 76343434     | 76343534     | 76343634     | 855                | 455             | 850                    | 425              |
| 763  | 76344144     | 76344244     | 76344344     | 76344444     | 76344544     | 76344644     | 1025               | 540             | 1020                   | 510              |
| 763  | 76345154     | 76345254     | 76345354     | 76345454     | 76345554     | 76345654     | 1195               | 625             | 1190                   | 595              |
| 763  | 76346164     | 76346264     | 76346364     | 76346464     | 76346564     | 76346664     | 1365               | 710             | 1360                   | 680              |
| 763  | 76347174     | 76347274     | 76347374     | 76347474     | 76347574     | 76347674     | 1535               | 795             | 1530                   | 765              |
| 763  | 76348184     | 76348284     | 76348384     | 76348484     | 76348584     | 76348684     | 1705               | 880             | 1700                   | 850              |

**600 Heavy duty/Small radius with Bearings**

| Part | $\alpha$ 15° | $\alpha$ 30° | $\alpha$ 45° | $\alpha$ 60° | $\alpha$ 75° | $\alpha$ 90° | Curve radius $R_i$ | Curve width $W$ | Min. belt radius $R_B$ | Belt width $W_B$ |
|------|--------------|--------------|--------------|--------------|--------------|--------------|--------------------|-----------------|------------------------|------------------|
| 763  | 76350114     | 76350214     | 76350314     | 76350414     | 76350514     | 76350614     | 395                | 285             | 390                    | 255              |
| 763  | 76351124     | 76351224     | 76351324     | 76351424     | 76351524     | 76351624     | 425                | 370             | 420                    | 340              |
| 763  | 76352134     | 76352234     | 76352334     | 76352434     | 76352534     | 76352634     | 505                | 455             | 500                    | 425              |
| 763  | 76353144     | 76353244     | 76353344     | 76353444     | 76353544     | 76353644     | 605                | 540             | 600                    | 510              |
| 763  | 76354154     | 76354254     | 76354354     | 76354454     | 76354554     | 76354654     | 725                | 625             | 720                    | 595              |
| 763  | 76355164     | 76355264     | 76355364     | 76355464     | 76355564     | 76355664     | 885                | 710             | 880                    | 680              |
| 763  | 76356174     | 76356274     | 76356374     | 76356474     | 76356574     | 76356674     | 1045               | 795             | 1040                   | 765              |
| 763  | 76357184     | 76357284     | 76357384     | 76357484     | 76357584     | 76357684     | 1205               | 880             | 1200                   | 850              |

# 880-881-8811 B

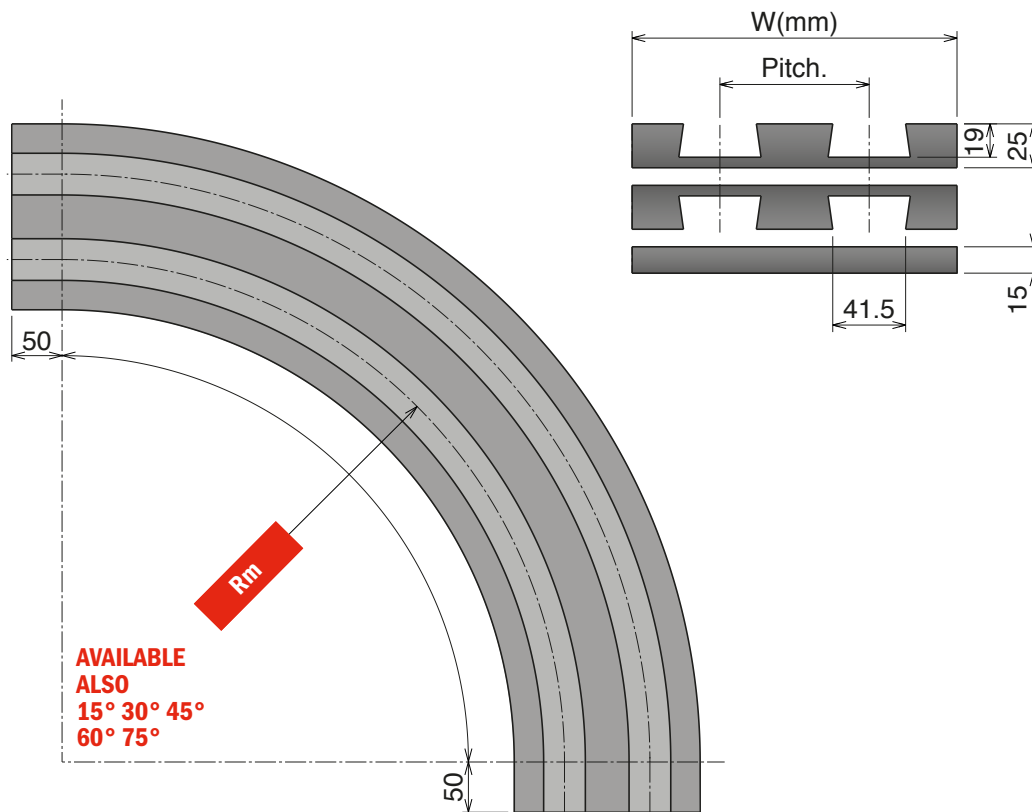
Curve magnetiche, Tab & Bevel / Magnetic, Tab & Bevel corner tracks / Kurvenführungen Magnet, Tab & Bevel Version

Materiale / Material / Materialien:  
 Polietilene UHMW-PE  
 Polyethylene UHMW-PE  
 Polyäthylen UHMW-PE

# 880-881-8881 B

Chain Reference    880 B - K325    881 B - K325    8881 B - K325

Supply: Set of 3 pieces (upper, return & plate)



AVAILABLE  
 ALSO  
 15° 30° 45°  
 60° 75°


## BEVEL SYSTEM

Upper part available, on request,  
 also in **BluLub®**  
 and for abrasive applications.


| Part        | Rm 500   | Rm 610   | Rm 800   | Rm 1000  | Tracks | W   | Pitch | Material |
|-------------|----------|----------|----------|----------|--------|-----|-------|----------|
| <b>K325</b> |          |          |          |          |        |     |       |          |
| 770         | 77031612 | 77033612 | 77037612 | 77039612 | 1      | 100 | 85    |          |
| 770         | 77031622 | 77033622 | 77037622 | 77039622 | 2      | 185 |       |          |
| 770         | 77031632 | 77033632 | 77037632 | 77039632 | 3      | 270 |       |          |
| 770         | 77031642 | 77033642 | 77037642 | 77039642 | 4      | 355 |       |          |
| 770         | 77031652 | 77033652 | 77037652 | 77039652 | 5      | 440 |       |          |
| 770         | 77031662 | 77033662 | 77037662 | 77039662 | 6      | 525 |       |          |

 **Standard** codes on table

**Upper part:**  
 add "**B**" for **BluLub®**

 add "**C**" for abrasive

**Upper and return part:**  
 add "**BB**" for **BluLub®**

 add "**CC**" for abrasive

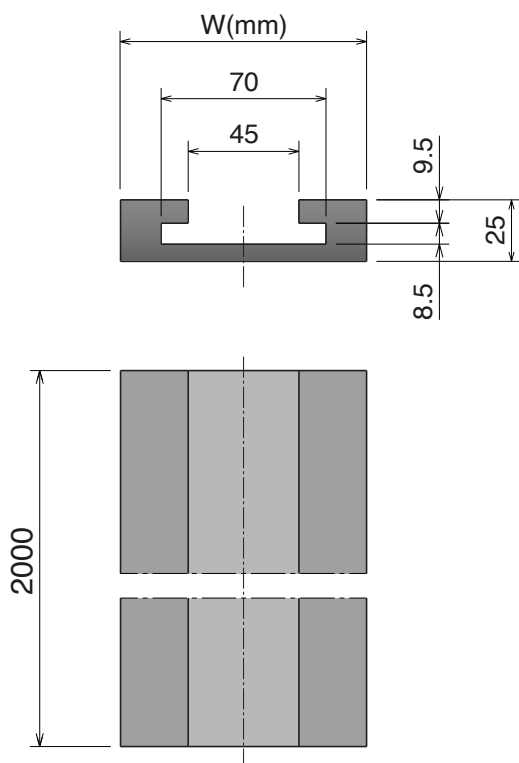
Curve magnetiche, Tab & Bevel / Magnetic, Tab & Bevel corner tracks / Kurvenführungen Magnet, Tab & Bevel Version

## 878-879-880-881-888-260-261 TAB

Chain Reference 878-879 TAB - K325/K450 880-881-8811 TAB - K325/K450/K750 888 TAB - W80/140/200 260-261 TAB - K330/K450

Supply: 1 pieces

### Straight track section



Straight track available, on request,  
 also in **BluLub®**  
 and for abrasive applications.

#### TAB SYSTEM

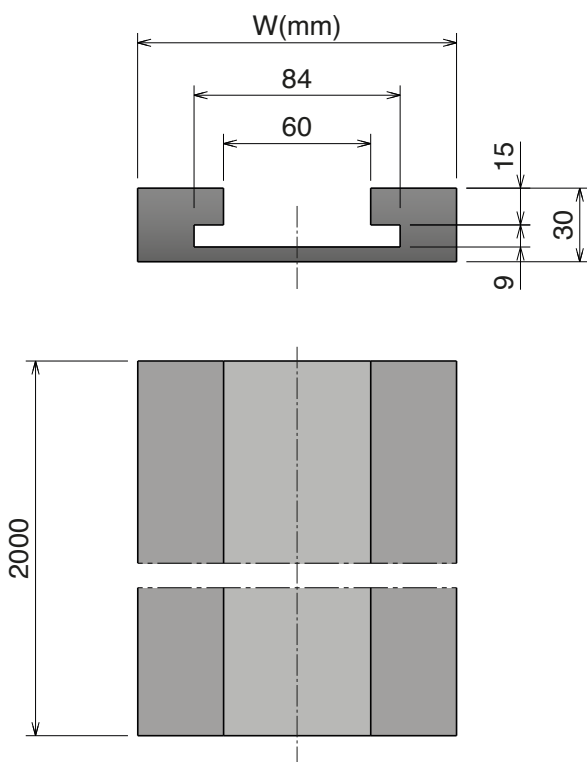
| Part            | Article-Nr. | W   | Length | Material                   |
|-----------------|-------------|-----|--------|----------------------------|
| <b>K325/W80</b> |             |     |        |                            |
| 790             | 79023010    | 100 | 2000   | Standard codes on table    |
| <b>K450</b>     |             |     |        |                            |
| 790             | 79024010    | 130 | 2000   | add "B" for <b>BluLub®</b> |
| <b>W140</b>     |             |     |        |                            |
| 796             | 79620110    | 155 | 2000   | add "C" for abrasive       |
| <b>K750</b>     |             |     |        |                            |
| 790             | 79026010    | 200 | 2000   |                            |
| <b>W200</b>     |             |     |        |                            |
| 796             | 79622110    | 215 | 2000   |                            |

## 882 TAB Straight track section

Chain Reference 882 TAB - K450/K750/K1000/K1200

Delivery: Easy Standard

Supply: 1 pieces



Straight track available, on request,  
 also in **BluLub®**  
 and for abrasive applications.

#### TAB SYSTEM

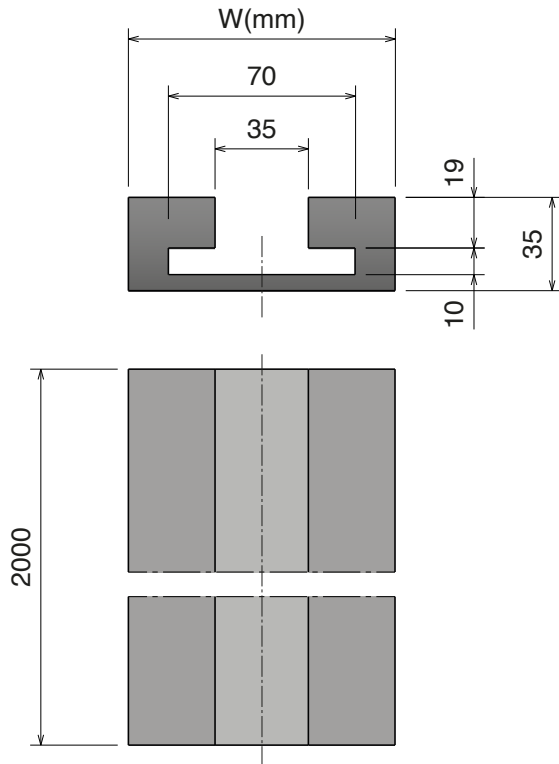
| Part         | Article-Nr. | W   | Length | Material                   |
|--------------|-------------|-----|--------|----------------------------|
| <b>K450</b>  |             |     |        |                            |
| 791          | 79124010    | 130 | 2000   | Standard codes on table    |
| <b>K750</b>  |             |     |        |                            |
| 791          | 79126010    | 200 | 2000   | add "B" for <b>BluLub®</b> |
| <b>K1000</b> |             |     |        |                            |
| 791          | 79127010    | 270 | 2000   | add "C" for abrasive       |
| <b>K1200</b> |             |     |        |                            |
| 791          | 79128010    | 320 | 2000   |                            |

## 1873-1874 TAB Straight track section

Chain Reference 1873 TAB-1874 TAB - K325/K450/K600/K750/K1000/K1200

Delivery: **Easy** **Standard**

Supply: 1 pieces



Straight track available, on request, also in **BluLub®** and for abrasive applications.

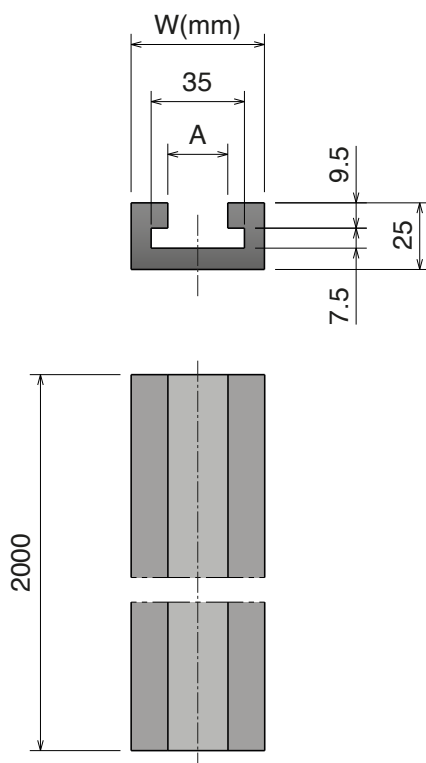
### TAB SYSTEM

| Part         | Article-Nr. | W   | Length | Material  |
|--------------|-------------|-----|--------|---|
| <b>K325</b>  |             |     |        |   |
| 792          | 79223010    | 100 | 2000   |  <b>Standard</b> codes on table      |
| <b>K450</b>  |             |     |        |   |
| 792          | 79224010    | 130 | 2000   |  add " <b>B</b> " for <b>BluLub®</b> |
| <b>K600</b>  |             |     |        |   |
| 792          | 79225010    | 170 | 2000   |  add " <b>C</b> " for abrasive       |
| <b>K750</b>  |             |     |        |   |
| 792          | 79226010    | 200 | 2000   |   |
| <b>K1000</b> |             |     |        |   |
| 792          | 79227010    | 270 | 2000   |   |
| <b>K1200</b> |             |     |        |   |
| 792          | 79228010    | 320 | 2000   |   |

## 1843 TAB Straight track section


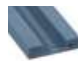

Chain Reference 1843 TAB - K125/K200

Supply: 1 pieces



Straight track available, on request, also in **BluLub®** and for abrasive applications.

### TAB SYSTEM

| Part        | Article-Nr. | W  | A    | Length | Material  |
|-------------|-------------|----|------|--------|---|
| <b>K125</b> |             |    |      |        |   |
| 793         | 79321010    | 50 | 22,5 | 2000   |  <b>Standard</b> codes on table      |
| <b>K200</b> |             |    |      |        |   |
| 793         | 79322010    | 70 | 22,3 | 2000   |  add " <b>B</b> " for <b>BluLub®</b> |
|             |             |    |      |        |  add " <b>C</b> " for abrasive       |



**Materiale / Material / Materialien:**  
 Polietilene UHMW-PE  
 Polyethylene UHMW-PE  
 Polyäthylen UHMW-PE

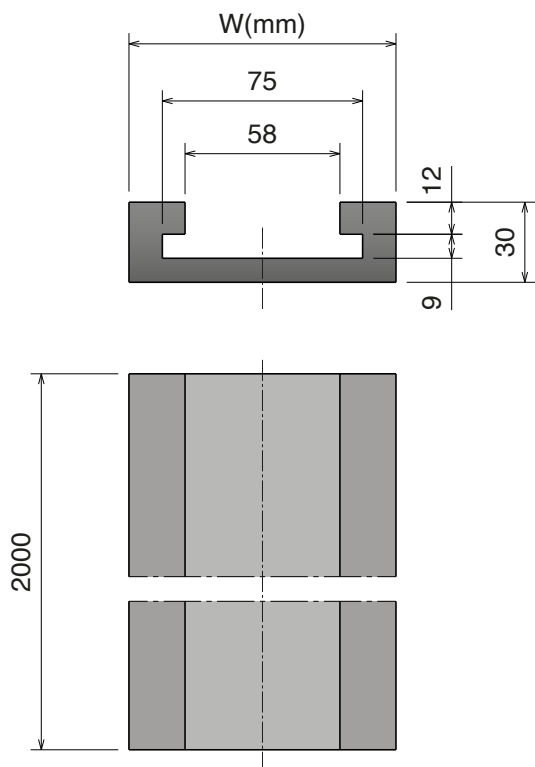
# 1701 TAB-1706 TAB

Tratti rettilinei / Straight track section / Gerade Schienen

## 1701 TAB-1706 TAB Straight track section


Chain Reference 1701 TAB - 1701 TAB OP- 1706 TAB - K55

Supply: 1 pieces



Straight track available, on request,  
 also in **BluLub®**  
 and for abrasive applications.

### TAB SYSTEM

| Part       | Article-Nr.     | W   | Length | Material   |
|------------|-----------------|-----|--------|--|
| <b>K55</b> |                 |     |        |  <b>Standard</b> codes on table |
| <b>794</b> | <b>79420010</b> | 100 | 2000   |  |



add "**B**" for **BluLub®**



add "**C**" for abrasive

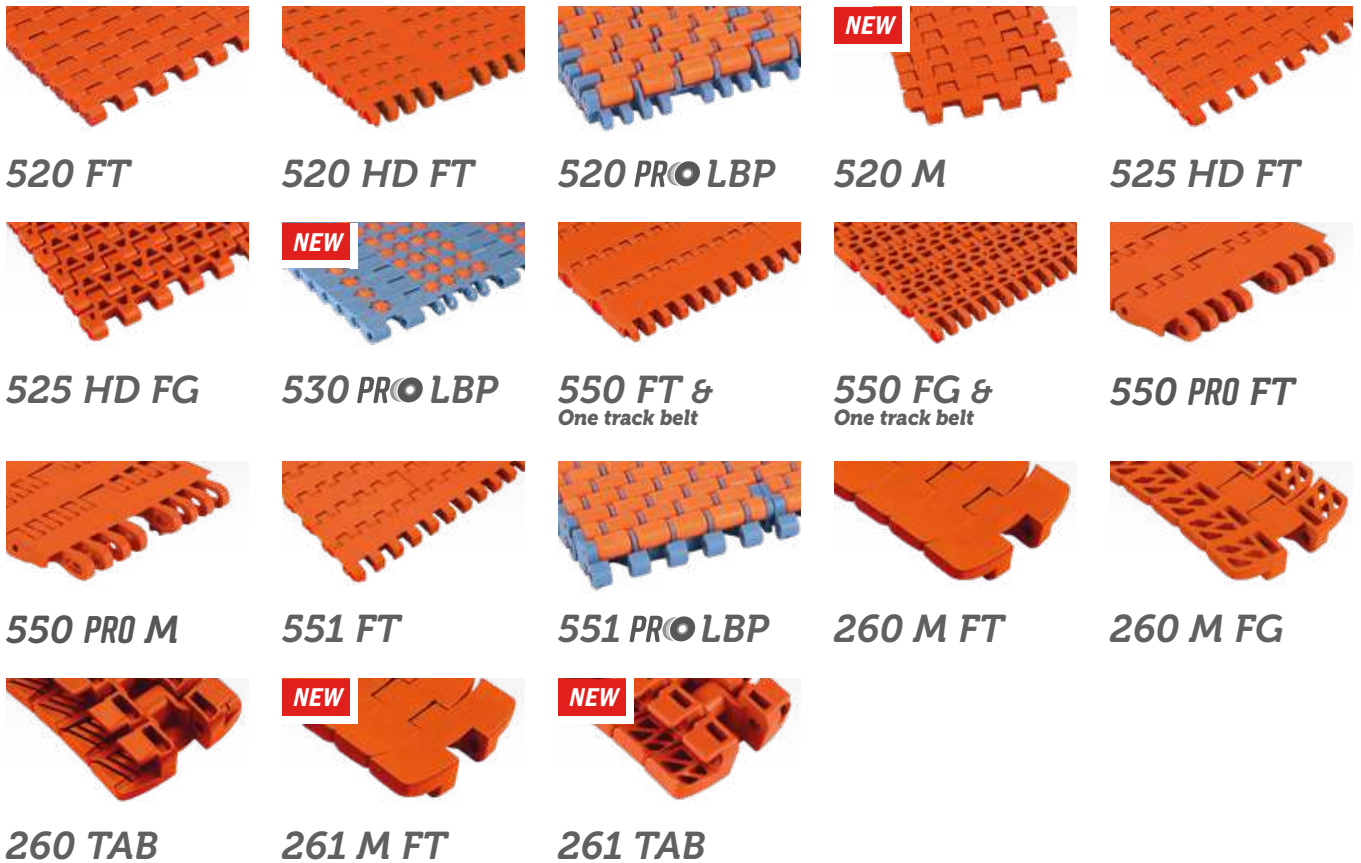
The best choice for dry running applications.

**PFX** is the plastic material specifically developed for chains and belts in order to run with limited lubrication or in dry applications where the demands are extreme concerning speed, performance & efficiency.

Realizing the many advantages and the versatility of our plastic compound, a growing number of companies are implementing **PFX** into their production lines with excellent results. Contact us, and request a free quotation!

**Modular belts available:**

Other different types of product in PFX are on request.



**Low friction**

Developed to reduce friction between chain and product, and chain and wearstrip.



**High performance**

Longer wear life lead to excellent and long enduring product handling features.



**Minimal dusting**

Developed to avoid dusting under extreme circumstances.



**Control of cost**

Better control of total cost & sustainable conveyor technology.



**Food contact Certified**

PFX material is suitable in food application.

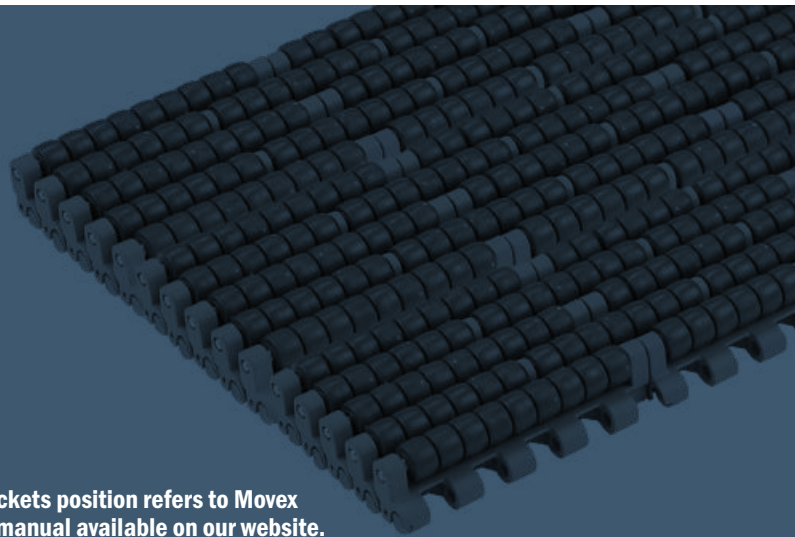


**Patented material**

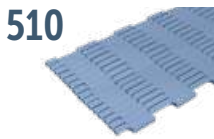
PFX is an exclusive product of Movex.

Energy saving | Low friction | High efficiency | High visibility

**FDA** APPROVAL



For belt sprockets position refers to Movex engineering manual available on our website.



**510 FT**  
Pag 182



**522 HD FT**  
Pag 194

**522 HD One track Belt**  
Pag 195



**530 FT**  
Pag 208

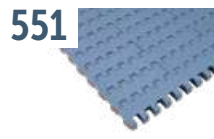
**530 FTT**  
Pag 209

**530 GT**  
Pag 210

**530 GT Side indent**  
Pag 211

**530 LBP**  
Pag 212

**530 PRO LBP**  
Pag 213



**551 FT**  
Pag 227

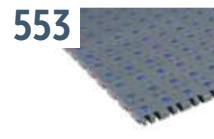
**551 FTT**  
Pag 228

**551 GT**  
Pag 229

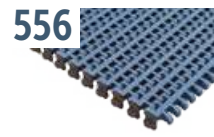
**551 GT Side indent**  
Pag 230

**551 LBP**  
Pag 231

**551 PRO LBP**  
Pag 232

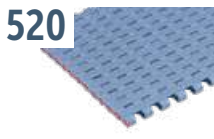


**553 FLEX TOP**  
Pag 242/243



**556 FT**  
Pag 245

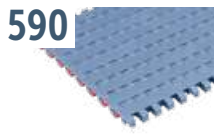
**556 GT**  
Pag 246



**520 FT**  
Pag 184

**520 HD FT**  
Pag 185

**520 FTT**  
Pag 186



**590 FT**  
Pag 197

**590 FT One track Belt**  
Pag 198

**590 FTT**  
Pag 199



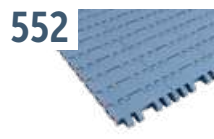
**550 FT**  
Pag 215

**550 FT One track Belt**  
Pag 216

**550 FTT**  
Pag 217

**550 FG**  
Pag 218

**550 FG One track Belt**  
Pag 219

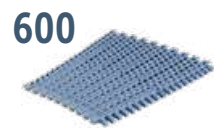


**552 FT**  
Pag 234

**552 FT One track Belt**  
Pag 235

**552 FTT**  
Pag 236

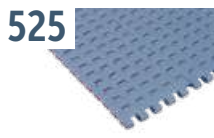
**552 PT**  
Pag 237



**600 Standard**  
Pag 248



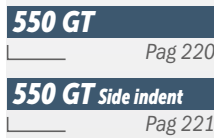
**520 FG**  
Pag 187



**525 HD FT**  
Pag 201

**525 HD FT + RIB**  
Pag 202

**525 FTT**  
Pag 203



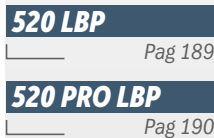
**550 GT**  
Pag 220

**550 GT Side indent**  
Pag 221

**550 FLIGHT TOP**  
Pag 222/223

**550 PRO FT**  
Pag 224

**550 PRO M**  
Pag 225



**520 LBP**  
Pag 189

**520 PRO LBP**  
Pag 190

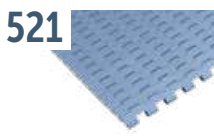
**520 M**  
Pag 191



**600 Heavy duty**  
Pag 249

**600 Heavy duty with Bearings**  
Pag 250

**600 Small radius**  
Pag 251

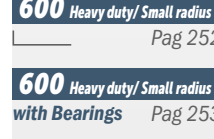


**521 FT**  
Pag 193



**525 HD FG**  
Pag 204

**525 HD GT**  
Pag 205

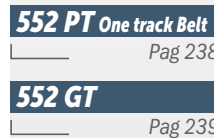


**600 Heavy duty/Small radius with Bearings**  
Pag 253

**600 with pusher**  
Pag 254



**525 HD GT Side indent**  
Pag 206



**552 PT One track Belt**  
Pag 238

**552 GT**  
Pag 239

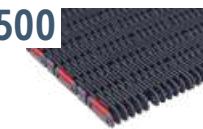
**552 GT Side indent**  
Pag 240

**1047 Heavy duty guide**  
Pag 254

Material Info:

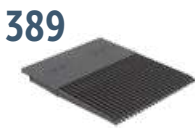


pg. 651 > 661

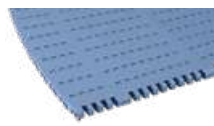


**500 RR**  
Pag 256

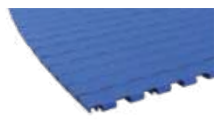
**500 RR with Positioner**  
Pag 257



**389 Combs**  
Pag 258



**ZERO CONTACT**  
Pag 260/261



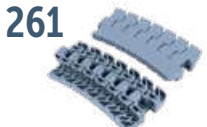
**ZERO CONTACT PRO**  
Pag 262/263



**260 M FT**  
Pag 265

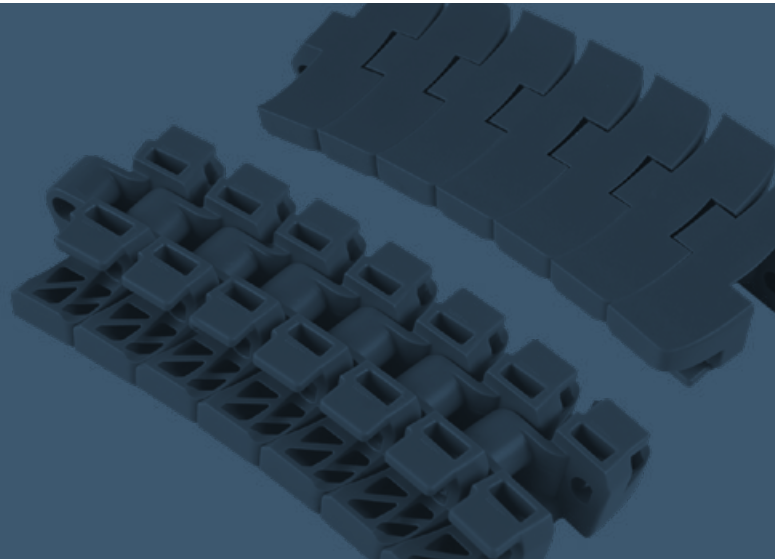
**260 M FG**  
Pag 266

**260 TAB**  
Pag 267



**261 M FT**  
Pag 268

**261 TAB**  
Pag 269



**NoseBars Standard**

for Modular belt:



**510 Series**  
Pag 273

**520 Series**  
Pag 273

**525 Series**  
Pag 273

**521 Series**  
Pag 274

**522 HD Series**  
Pag 274

**530 Series**  
(LBP excluded) Pag 275

**530 LBP**  
Pag 275

**530 PRO LBP**  
Pag 276

**NoseBars with Bearings**

for Modular belt:



**520 Series**  
Pag 277

**525 Series**  
Pag 277

**521 Series**  
Pag 277

**522 HD Series**  
Pag 278

**530 Series**  
(LBP excluded) Pag 278

**530 LBP**  
Pag 279

**530 PRO LBP**  
Pag 279

**NoseBars with Rollers**

for Modular belt:



**520 Series**  
Pag 280

**525 Series**  
Pag 280

**521 Series**  
Pag 280

**522 HD Series**  
Pag 281

**530 Series**  
(LBP excluded) Pag 281

**One piece**

Custom made NoseBar, supplied in a single piece.

One piece is the system patented by Movex that greatly reduces the time necessary for the conveyor maintenance: being a single piece, of the required size, it is quick to install and easy to clean.

**Standard**

for Modular belt:



**520 Series**  
Pag 282

**525 Series**  
Pag 282

**522 HD Series**  
Pag 282

**530 Series**  
Pag 282

**with Bearings**

for Modular belt:



**520 Series**  
Pag 283

**525 Series**  
Pag 283

**522 HD Series**  
Pag 283

**530 Series**  
Pag 283

**with Rollers**

for Modular belt:



**520 Series**  
Pag 284

**525 Series**  
Pag 284

**522 HD Series**  
Pag 284

**530 Series**  
Pag 284

# 510 Series

# 510

Pitch 8 mm

H= 6 mm



Imperial Size

510 FT

# Movex®

## 510 FT

Tappeto Modulare 510 FT, H=6 M=3"  
Modular Belt Series 510 FT, H=6 M=3" / Modulare Mattenkette 510 FT, H=6 M=3"

### CODE STRUCTURE GUIDE (Example)

Backflex radius min.: 7.5 mm

|             |           |             |          |
|-------------|-----------|-------------|----------|
| <b>5331</b> | <b>01</b> | <b>0012</b> | <b>A</b> |
| Series      | *Material | Width       | Version  |

**8 mm**  
PITCH

|   |   |   |   |
|---|---|---|---|
|  |  |  |  |
| pg. 312   | pg. 273   | pg. 296/298   | pg. 651>661   |

### SAMPLE BOX

Art.-Nr. **5331018888A**



- Easier installation
- Quicker maintenance



### \*Material

#### LFA - Code 01

Low friction Acetal

#### Easy Delivery

Max w. load: 3000 N/m  
Weight: 5,8 kg/m<sup>2</sup>  
Temp. range dry: -40+80 °C  
Temp. range wet: -40+65 °C  
Pin material: PBT grey

#### MX - Code 03

Performance PBT

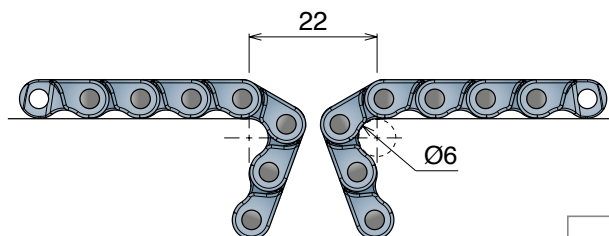
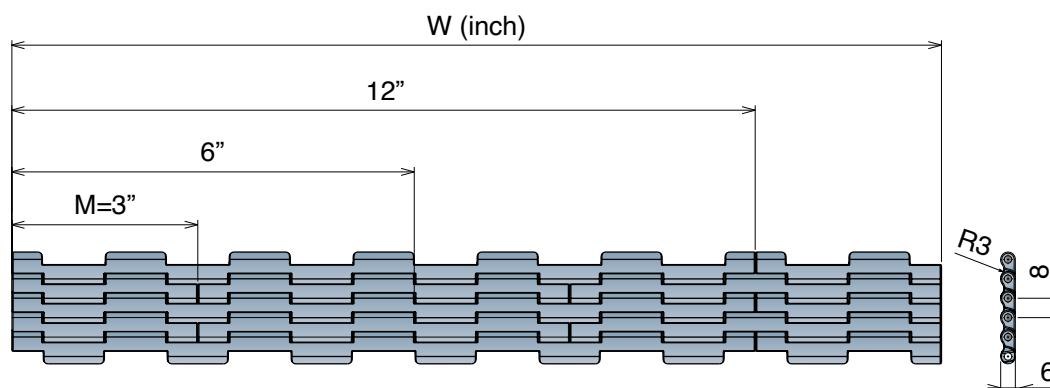
Max w. load: 2700 N/m  
Weight: 5,5 kg/m<sup>2</sup>  
Temp. range dry: -40+120 °C  
Temp. range wet: -40+60 °C  
Pin material: POM grey

#### LFB - Code 23

Low friction Acetal

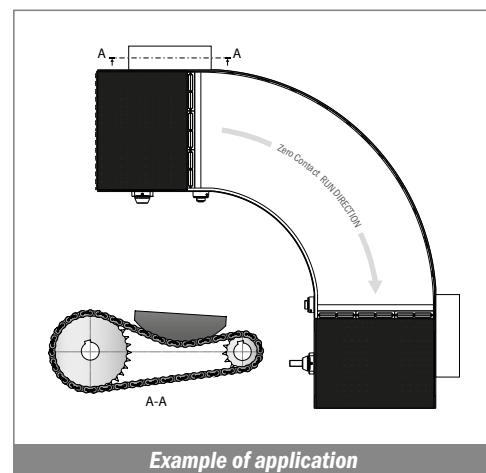
Max w. load: 3000 N/m  
Weight: 5,8 kg/m<sup>2</sup>  
Temp. range dry: -40+80 °C  
Temp. range wet: -40+65 °C  
Pin material: PBT grey

### Version A - Standard



### Version A - Standard

| Series | Material | Width | Version |
|--------|----------|-------|---------|
| 5331   | *        | 0003  | A       |
| 5331   | *        | 0006  | A       |
| 5331   | *        | 0009  | A       |
| 5331   | *        | 0012  | A       |
| 5331   | *        | 0015  | A       |
| 5331   | *        | 0018  | A       |
| 5331   | *        | 0021  | A       |
| 5331   | *        | 0024  | A       |
| 5331   | *        | 0027  | A       |
| 5331   | *        | 0030  | A       |
| 5331   | *        | 0033  | A       |
| 5331   | *        | 0036  | A       |
| 5331   | *        | 0039  | A       |
| 5331   | *        | 0042  | A       |
| 5331   | *        | 0045  | A       |
| 5331   | *        | 0048  | A       |



**NEW**

### 510 FT MOVEX TOOL

Developed to facilitate belt assembly and disassembly.



Article Nr. **29969**

Movex tools are made with 3D printer, the color may vary due to availability of the material.

# 520

Pitch 12,7 mm  
H= 8,7 mm



520 FT  
520 HD FT  
520 FTT  
520 FG  
520 GT  
520 LBP

520 PRO LBP  
520 M




## 520 FT

Tappeto Modulare 520 FT, H=8,7 M=85  
Modular Belt Series 520 FT, H=8,7 M=85 / Modulare Mattenkette 520 FT, H=8,7 M=85

### CODE STRUCTURE GUIDE (Example)

Backflex radius min.: 10 mm

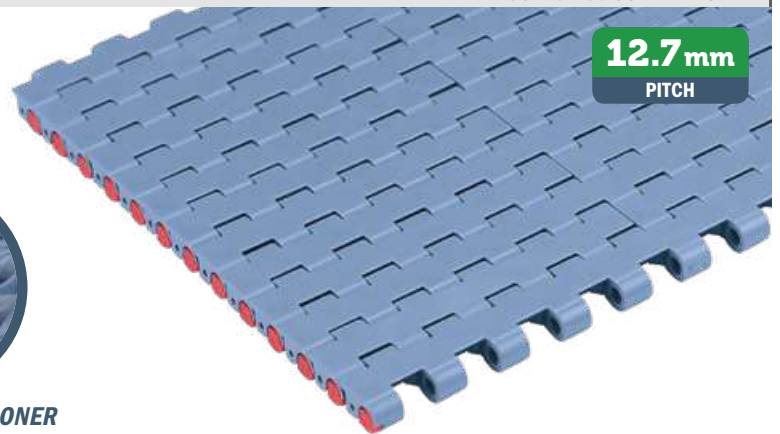
|             |           |             |          |
|-------------|-----------|-------------|----------|
| <b>5201</b> | <b>01</b> | <b>0085</b> | <b>A</b> |
| Series      | *Material | Width       | Version  |

|   |   |   |
|---|---|---|
|  |  |  |
| pg. 315-316   | 273/277/280   | pg. 651->661  |

|                   |                    |
|-------------------|--------------------|
| <b>SAMPLE BOX</b> |                    |
| Art.-Nr.          | <b>5201018888A</b> |



REINFORCED POSITIONER



**12.7mm**  
PITCH

### \*Material

#### LFA - Code 01

Low friction Acetal

Easy Delivery

Max w. load: 21500 N/m  
Weight: 7,8 kg/m<sup>2</sup>  
Temp. range dry: -40+80 °C  
Temp. range wet: -40+65 °C  
Pin material: PBT white

#### PP - Code 02

Polypropylene

Max w. load: 13000 N/m  
Weight: 7,5 kg/m<sup>2</sup>  
Temp. range dry: 4+104 °C  
Temp. range wet: 4+104 °C  
Pin material: PP blue

#### MX - Code 03

Performance PBT

Max w. load: 17500 N/m  
Weight: 7,5 kg/m<sup>2</sup>  
Temp. range dry: -40+120 °C  
Temp. range wet: -40+60 °C  
Pin material: POM grey

#### LFB - Code 23

Low friction Acetal

Max w. load: 21500 N/m  
Weight: 7,8 kg/m<sup>2</sup>  
Temp. range dry: -40+80 °C  
Temp. range wet: -40+65 °C  
Pin material: PBT white

#### MPX - Code 25

Lubricated Acetal

Max w. load: 21500 N/m  
Weight: 7,8 kg/m<sup>2</sup>  
Temp. range dry: -40+80 °C  
Temp. range wet: -40+65 °C  
Pin material: PBT white

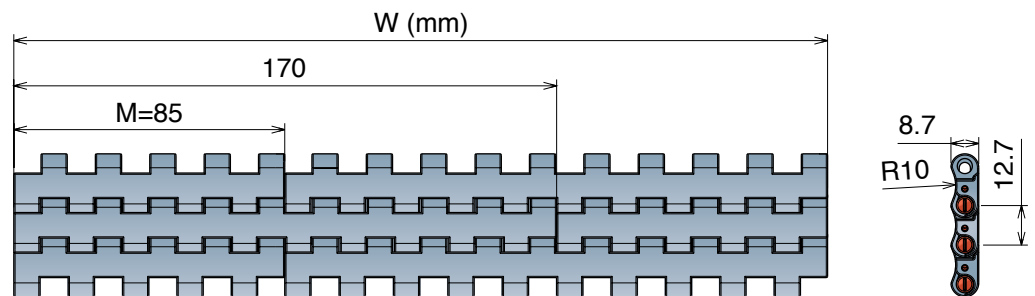
#### PFX - Code 30

Extra performance PBT

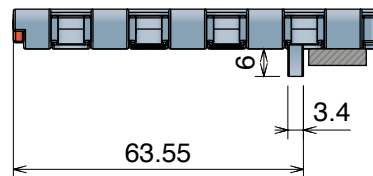
Max w. load: 17500 N/m  
Weight: 7,5 kg/m<sup>2</sup>  
Temp. range dry: -40+120 °C  
Temp. range wet: -40+60 °C  
Pin material: POM grey

**THE BEST CHOICE FOR  
DRY RUNNING APPLICATIONS**

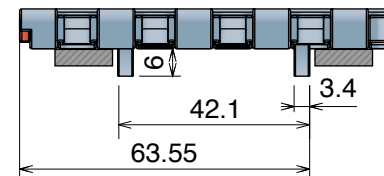
### Version A - Standard



### Version B - With 1 Positioner



### Version C - With 2 Positioners



### Version A - Standard

| Series | Material | Width | Version |
|--------|----------|-------|---------|
| 5201   | *        | 0085  | A       |
| 5201   | *        | 0170  | A       |
| 5201   | *        | 0255  | A       |
| 5201   | *        | 0340  | A       |
| 5201   | *        | 0425  | A       |
| 5201   | *        | 0510  | A       |
| 5201   | *        | 0595  | A       |
| 5201   | *        | 0680  | A       |
| 5201   | *        | 0765  | A       |
| 5201   | *        | 0850  | A       |
| 5201   | *        | 0935  | A       |
| 5201   | *        | 1020  | A       |
| 5201   | *        | 1105  | A       |
| 5201   | *        | 1190  | A       |
| 5201   | *        | 1275  | A       |
| 5201   | *        | 1360  | A       |
| 5201   | *        | 1445  | A       |
| 5201   | *        | 1530  | A       |

### Version B - With 1 Positioner

| Series | Material | Width | Version |
|--------|----------|-------|---------|
| 5201   | *        | 0085  | B       |
| 5201   | *        | 0170  | B       |
| 5201   | *        | 0255  | B       |
| 5201   | *        | 0340  | B       |
| 5201   | *        | 0425  | B       |
| 5201   | *        | 0510  | B       |
| 5201   | *        | 0595  | B       |
| 5201   | *        | 0680  | B       |
| 5201   | *        | 0765  | B       |
| 5201   | *        | 0850  | B       |
| 5201   | *        | 0935  | B       |
| 5201   | *        | 1020  | B       |
| 5201   | *        | 1105  | B       |
| 5201   | *        | 1190  | B       |
| 5201   | *        | 1275  | B       |
| 5201   | *        | 1360  | B       |
| 5201   | *        | 1445  | B       |
| 5201   | *        | 1530  | B       |

### Version C - With 2 Positioners

| Series | Material | Width | Version |
|--------|----------|-------|---------|
| 5201   | *        | 0085  | C       |
| 5201   | *        | 0170  | C       |
| 5201   | *        | 0255  | C       |
| 5201   | *        | 0340  | C       |
| 5201   | *        | 0425  | C       |
| 5201   | *        | 0510  | C       |
| 5201   | *        | 0595  | C       |
| 5201   | *        | 0680  | C       |
| 5201   | *        | 0765  | C       |
| 5201   | *        | 0850  | C       |
| 5201   | *        | 0935  | C       |
| 5201   | *        | 1020  | C       |
| 5201   | *        | 1105  | C       |
| 5201   | *        | 1190  | C       |
| 5201   | *        | 1275  | C       |
| 5201   | *        | 1360  | C       |
| 5201   | *        | 1445  | C       |
| 5201   | *        | 1530  | C       |



## 520 HD FT

Tappeto Modulare 520 HD, H=8,7 M=85  
Modular Belt Series 520 HD, H=8,7 M=85 / Modulare Mattenkette 520 HD, H=8,7 M=85

### CODE STRUCTURE GUIDE (Example)

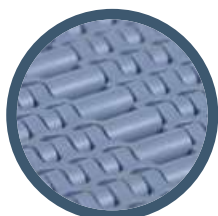
Backflex radius min.: 10 mm

|             |           |             |          |
|-------------|-----------|-------------|----------|
| <b>5211</b> | <b>01</b> | <b>0085</b> | <b>A</b> |
| Series      | *Material | Width       | Version  |

**12.7mm**  
PITCH

|             |             |             |
|-------------|-------------|-------------|
|             | NoseBars    |             |
| pg. 313-314 | 273/277/280 | pg. 651>661 |

|            |                    |
|------------|--------------------|
| SAMPLE BOX |                    |
| Art.-Nr.   | <b>5211018888A</b> |



Metric Size

### \*Material

#### LFA - Code 01

Low friction Acetal

Easy Delivery

Max w. load: 25500 N/m  
Weight: 7,8 kg/m<sup>2</sup>  
Temp. range dry: -40÷80 °C  
Temp. range wet: -40÷65 °C  
Pin material: PBT white

#### MX - Code 03

Performance PBT

Max w. load: 20000 N/m  
Weight: 7,5 kg/m<sup>2</sup>  
Temp. range dry: -40÷120 °C  
Temp. range wet: -40÷60 °C  
Pin material: POM grey

#### MPX - Code 25

Lubricated Acetal

Max w. load: 25000 N/m  
Weight: 7,8 kg/m<sup>2</sup>  
Temp. range dry: -40÷80 °C  
Temp. range wet: -40÷65 °C  
Pin material: PBT white

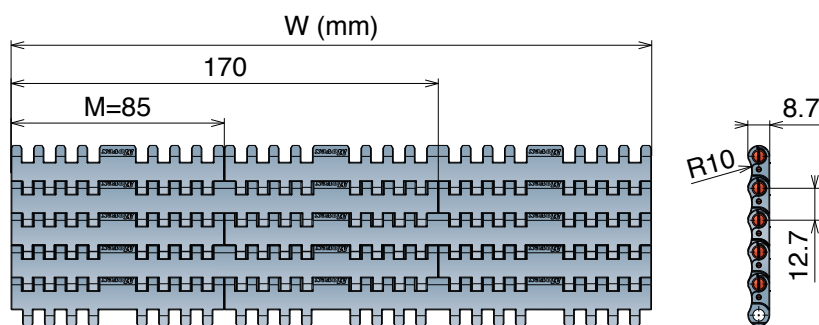
#### PFX - Code 30

Extra performance PBT

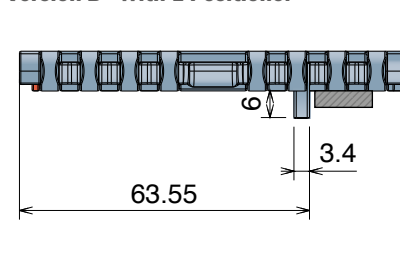
Max w. load: 20000 N/m  
Weight: 7,5 kg/m<sup>2</sup>  
Temp. range dry: -40÷120 °C  
Temp. range wet: -40÷60 °C  
Pin material: POM grey

**THE BEST CHOICE FOR  
DRY RUNNING APPLICATIONS**

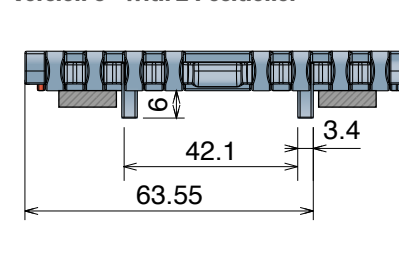
### Version A - Standard



### Version B - With 1 Positioner



### Version C - With 2 Positioner



### Version A - Standard

| Series | Material | Width | Version |
|--------|----------|-------|---------|
| 5211   | *        | 0085  | A       |
| 5211   | *        | 0170  | A       |
| 5211   | *        | 0255  | A       |
| 5211   | *        | 0340  | A       |
| 5211   | *        | 0425  | A       |
| 5211   | *        | 0510  | A       |
| 5211   | *        | 0595  | A       |
| 5211   | *        | 0680  | A       |

### Version B - With 1 Positioner

| Series | Material | Width | Version |
|--------|----------|-------|---------|
| 5211   | *        | 0085  | B       |
| 5211   | *        | 0170  | B       |
| 5211   | *        | 0255  | B       |
| 5211   | *        | 0340  | B       |
| 5211   | *        | 0425  | B       |
| 5211   | *        | 0510  | B       |
| 5211   | *        | 0595  | B       |
| 5211   | *        | 0680  | B       |

### Version C - With 2 Positioners

| Series | Material | Width | Version |
|--------|----------|-------|---------|
| 5211   | *        | 0085  | C       |
| 5211   | *        | 0170  | C       |
| 5211   | *        | 0255  | C       |
| 5211   | *        | 0340  | C       |
| 5211   | *        | 0425  | C       |
| 5211   | *        | 0510  | C       |
| 5211   | *        | 0595  | C       |
| 5211   | *        | 0680  | C       |



### Advantages:

- Improved working load
- Easy installation
- Rigidity
- Product stability

## 520 FTT

Tappeto Modulare 520 FTT, H=8,7 M=85


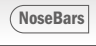

Modular Belt Series 520 FTT, H=8,7 M=85 / Modulare Mattenkette 520 FTT, H=8,7 M=85

### CODE STRUCTURE GUIDE (Example)

Backflex radius min.: 10 mm

|             |           |             |          |
|-------------|-----------|-------------|----------|
| <b>5206</b> | <b>01</b> | <b>0085</b> | <b>C</b> |
| Series      | *Material | Width       | Version  |

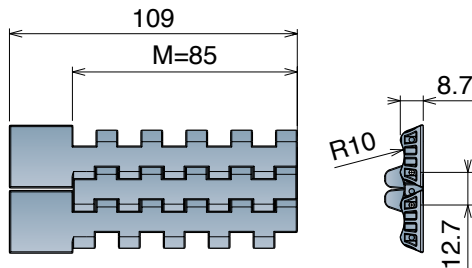
**12.7mm**  
PITCH

|   |   |   |
|---|---|---|
|  |  |  |
| pg. 315-316   | 273/277/280   | pg. 651->661  |

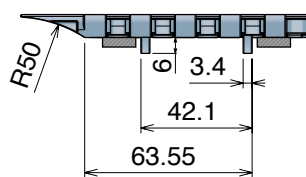
### \*Material

|   |  |
|---|--|
| <b>LFA - Code 01</b><br>Low friction Acetal | <b>MX - Code 03</b><br>Performance PBT |
|---|--|

|                                      |                                      |
|--------------------------------------|--------------------------------------|
| <b>Max w. load:</b> 21500 N/m        | <b>Max w. load:</b> 17500 N/m        |
| <b>Weight:</b> 7,8 kg/m <sup>2</sup> | <b>Weight:</b> 7,5 kg/m <sup>2</sup> |
| <b>Temp. range dry:</b> -40+80 °C    | <b>Temp. range dry:</b> -40+120 °C   |
| <b>Temp. range wet:</b> -40+65 °C    | <b>Temp. range wet:</b> 40+60 °C     |
| <b>Pin material:</b> PBT white       | <b>Pin material:</b> POM grey        |



Version C

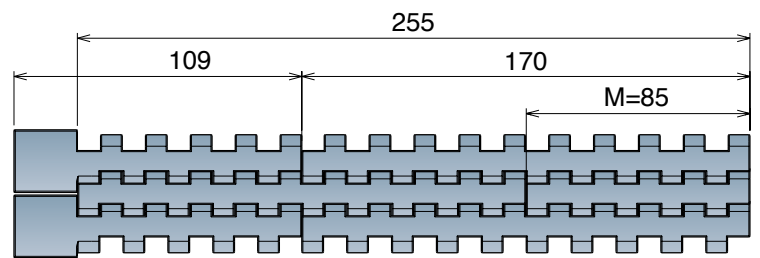


Version C

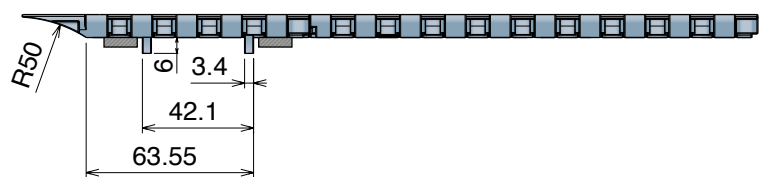
| Series | Material | Width | Version |
|--------|----------|-------|---------|
| 5206   | *        | 0085  | C       |

### Max working load (N)

|       |      |
|-------|------|
| Width | 85   |
| LFA   | 1850 |
| MX    | 1500 |



Version CN - Near



Version CO - Opposite



Version CN - Near

| Series | Material | Width | Version |
|--------|----------|-------|---------|
| 5206   | *        | 0170  | CN      |
| 5206   | *        | 0255  | CN      |

Version CO - Opposite

| Series | Material | Width | Version |
|--------|----------|-------|---------|
| 5206   | *        | 0170  | CO      |
| 5206   | *        | 0255  | CO      |

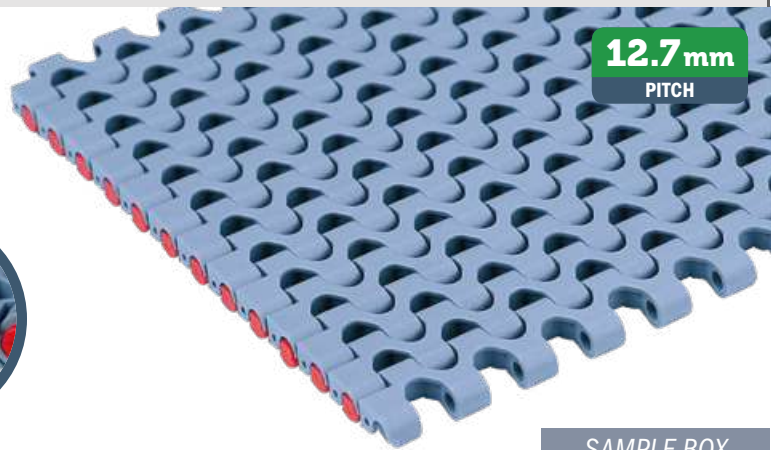
## 520 FG Open Surface 25% Tappeto Modulare 520 FG, H=8,7 M=85 Modular Belt Series 520 FG, H=8,7 M=85 / Modulare Mattenkette 520 FG, H=8,7 M=85

Metric Size

### CODE STRUCTURE GUIDE (Example)

Backflex radius min.: 10 mm

|             |           |             |          |
|-------------|-----------|-------------|----------|
| <b>5202</b> | <b>01</b> | <b>0085</b> | <b>A</b> |
| Series      | *Material | Width       | Version  |



|             |             |             |
|-------------|-------------|-------------|
|             |             |             |
| pg. 315-316 | 273/277/280 | pg. 651>661 |

### \*Material

#### LFA - Code 01

Low friction Acetal

Easy Delivery

Max w. load: 21500 N/m  
Weight: 7,5 kg/m<sup>2</sup>  
Temp. range dry: -40+80 °C  
Temp. range wet: -40+65 °C  
Pin material: PBT white

### SAMPLE BOX

Art.-Nr. **5202018888A**

#### PP - Code 02

Polypropylene

Max w. load: 13000 N/m  
Weight: 7,5 kg/m<sup>2</sup>  
Temp. range dry: 4+104 °C  
Temp. range wet: 4+104 °C  
Pin material: PP blue

#### MX - Code 03

Performance PBT

Max w. load: 17500 N/m  
Weight: 7,2 kg/m<sup>2</sup>  
Temp. range dry: -40+120 °C  
Temp. range wet: -40+60 °C  
Pin material: POM grey

#### DKM - Code 16

Aramide Reinforced Acetal

Max w. load: 21500 N/m  
Weight: 7,5 kg/m<sup>2</sup>  
Temp. range dry: -40+80 °C  
Temp. range wet: -40+65 °C  
Pin material: PBT white

#### MWX - Code 17

Polyamide Composite

Max w. load: 21500 N/m  
Weight: 7,8 kg/m<sup>2</sup>  
Temp. range dry: -40+104 °C  
Temp. range wet: NR  
Pin material: PBT white

#### LFB - Code 23

Low friction Acetal

Max w. load: 21500 N/m  
Weight: 7,5 kg/m<sup>2</sup>  
Temp. range dry: -40+80 °C  
Temp. range wet: -40+65 °C  
Pin material: PBT white

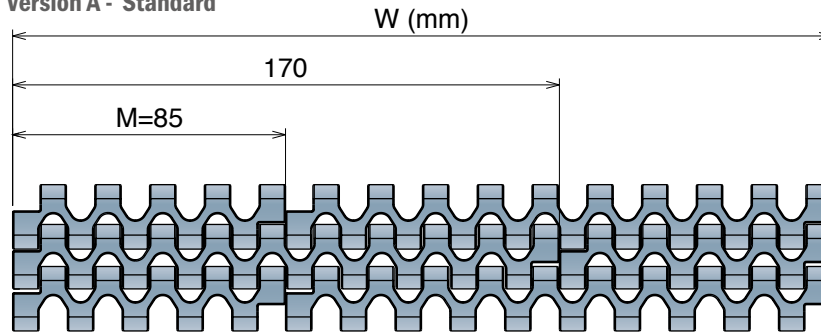
#### MPX - Code 25

Lubricated Acetal

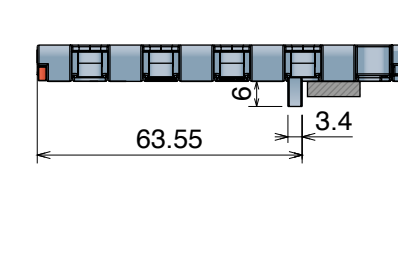
Max w. load: 21500 N/m  
Weight: 7,5 kg/m<sup>2</sup>  
Temp. range dry: -40+80 °C  
Temp. range wet: -40+65 °C  
Pin material: PBT white



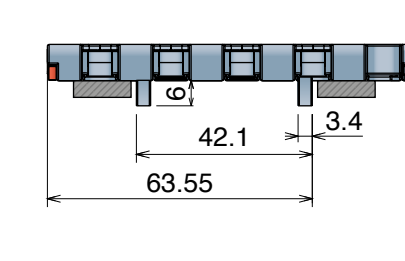
### Version A - Standard



### Version B - With 1 Positioner



### Version C - With 2 Positioner



### Version A - Standard

| Series | Material | Width | Version |
|--------|----------|-------|---------|
| 5202   | *        | 0085  | A       |
| 5202   | *        | 0170  | A       |
| 5202   | *        | 0255  | A       |
| 5202   | *        | 0340  | A       |
| 5202   | *        | 0425  | A       |
| 5202   | *        | 0510  | A       |
| 5202   | *        | 0595  | A       |
| 5202   | *        | 0680  | A       |
| 5202   | *        | 0765  | A       |
| 5202   | *        | 0850  | A       |
| 5202   | *        | 0935  | A       |
| 5202   | *        | 1020  | A       |
| 5202   | *        | 1105  | A       |
| 5202   | *        | 1190  | A       |
| 5202   | *        | 1275  | A       |
| 5202   | *        | 1360  | A       |
| 5202   | *        | 1445  | A       |
| 5202   | *        | 1530  | A       |

### Version B - With 1 Positioner

| Series | Material | Width | Version |
|--------|----------|-------|---------|
| 5202   | *        | 0085  | B       |
| 5202   | *        | 0170  | B       |
| 5202   | *        | 0255  | B       |
| 5202   | *        | 0340  | B       |
| 5202   | *        | 0425  | B       |
| 5202   | *        | 0510  | B       |
| 5202   | *        | 0595  | B       |
| 5202   | *        | 0680  | B       |
| 5202   | *        | 0765  | B       |
| 5202   | *        | 0850  | B       |
| 5202   | *        | 0935  | B       |
| 5202   | *        | 1020  | B       |
| 5202   | *        | 1105  | B       |
| 5202   | *        | 1190  | B       |
| 5202   | *        | 1275  | B       |
| 5202   | *        | 1360  | B       |
| 5202   | *        | 1445  | B       |
| 5202   | *        | 1530  | B       |

### Version C - With 2 Positioners

| Series | Material | Width | Version |
|--------|----------|-------|---------|
| 5202   | *        | 0085  | C       |
| 5202   | *        | 0170  | C       |
| 5202   | *        | 0255  | C       |
| 5202   | *        | 0340  | C       |
| 5202   | *        | 0425  | C       |
| 5202   | *        | 0510  | C       |
| 5202   | *        | 0595  | C       |
| 5202   | *        | 0680  | C       |
| 5202   | *        | 0765  | C       |
| 5202   | *        | 0850  | C       |
| 5202   | *        | 0935  | C       |
| 5202   | *        | 1020  | C       |
| 5202   | *        | 1105  | C       |
| 5202   | *        | 1190  | C       |
| 5202   | *        | 1275  | C       |
| 5202   | *        | 1360  | C       |
| 5202   | *        | 1445  | C       |
| 5202   | *        | 1530  | C       |


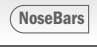

## 520 GT

Tappeto Modulare 520 GT, H=8,7 M=85  
 Modular Belt Series 520 GT, H=8,7 M=85 / Modulare Mattenkette 520 GT, H=8,7 M=85

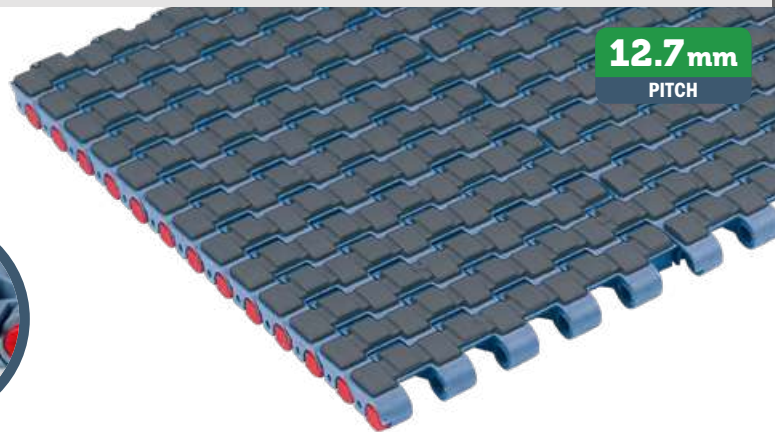
CODE STRUCTURE GUIDE (Example)

Backflex radius min.: 20 mm

|             |           |             |          |
|-------------|-----------|-------------|----------|
| <b>5203</b> | <b>01</b> | <b>0085</b> | <b>A</b> |
| Series      | *Material | Width       | Version  |

|   |   |   |
|---|---|---|
|  |  |  |
| pg. 315-316   | 273/277/280   | pg. 651->661  |

|            |                    |
|------------|--------------------|
| SAMPLE BOX |                    |
| Art.-Nr.   | <b>5203018888A</b> |



**12.7mm**  
PITCH



Metric Size

### \*Material

**LFA - Code 01**  
Low friction Acetal

Easy Delivery

Max w. load: 21500 N/m  
 Weight: 9,0 kg/m<sup>2</sup>  
 Temp. range dry: -40+80 °C  
 Temp. range wet: -40+65 °C  
 Pin material: PBT white  
 Top rubber: 50 ShA-Dark grey

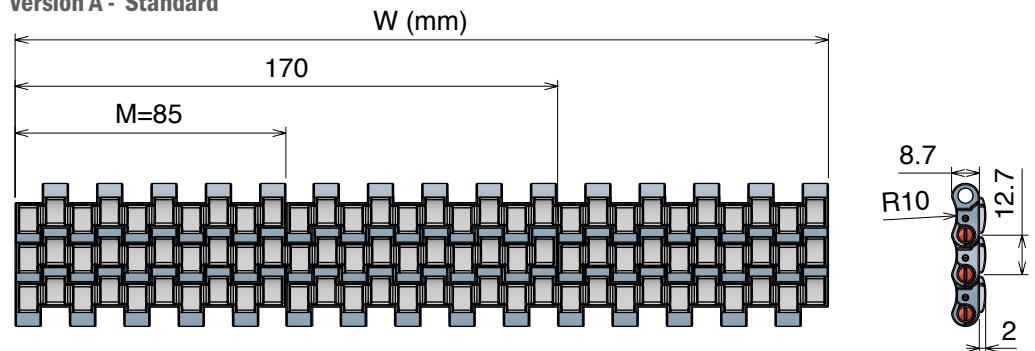
**PP - Code 02**  
Polypropylene

Max w. load: 13000 N/m  
 Weight: 7,5 kg/m<sup>2</sup>  
 Temp. range dry: 4+80 °C  
 Temp. range wet: 4+80 °C  
 Pin material: PP blu  
 Top rubber: 50 ShA-Pigeon blue

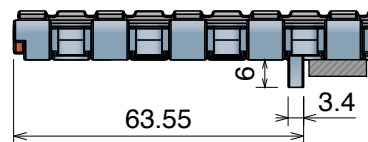
**MX - Code 03**  
Performance PBT

Max w. load: 17500 N/m  
 Weight: 9,3 kg/m<sup>2</sup>  
 Temp. range dry: -40+120 °C  
 Temp. range wet: -40+60 °C  
 Pin material: POM grey  
 Top rubber: 50 ShA-Dark grey

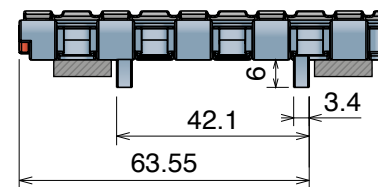
### Version A - Standard



### Version B - With 1 Positioner



### Version C - With 2 Positioners



### Version A - Standard

| Series | Material | Width | Version |
|--------|----------|-------|---------|
| 5203   | *        | 0085  | A       |
| 5203   | *        | 0170  | A       |
| 5203   | *        | 0255  | A       |
| 5203   | *        | 0340  | A       |
| 5203   | *        | 0425  | A       |
| 5203   | *        | 0510  | A       |
| 5203   | *        | 0595  | A       |
| 5203   | *        | 0680  | A       |
| 5203   | *        | 0765  | A       |
| 5203   | *        | 0850  | A       |
| 5203   | *        | 0935  | A       |
| 5203   | *        | 1020  | A       |
| 5203   | *        | 1105  | A       |
| 5203   | *        | 1190  | A       |
| 5203   | *        | 1275  | A       |
| 5203   | *        | 1360  | A       |
| 5203   | *        | 1445  | A       |
| 5203   | *        | 1530  | A       |

### Version B - With 1 Positioner

| Series | Material | Width | Version |
|--------|----------|-------|---------|
| 5203   | *        | 0085  | B       |
| 5203   | *        | 0170  | B       |
| 5203   | *        | 0255  | B       |
| 5203   | *        | 0340  | B       |
| 5203   | *        | 0425  | B       |
| 5203   | *        | 0510  | B       |
| 5203   | *        | 0595  | B       |
| 5203   | *        | 0680  | B       |
| 5203   | *        | 0765  | B       |
| 5203   | *        | 0850  | B       |
| 5203   | *        | 0935  | B       |
| 5203   | *        | 1020  | B       |
| 5203   | *        | 1105  | B       |
| 5203   | *        | 1190  | B       |
| 5203   | *        | 1275  | B       |
| 5203   | *        | 1360  | B       |
| 5203   | *        | 1445  | B       |
| 5203   | *        | 1530  | B       |

### Version C - With 2 Positioners

| Series | Material | Width | Version |
|--------|----------|-------|---------|
| 5203   | *        | 0085  | C       |
| 5203   | *        | 0170  | C       |
| 5203   | *        | 0255  | C       |
| 5203   | *        | 0340  | C       |
| 5203   | *        | 0425  | C       |
| 5203   | *        | 0510  | C       |
| 5203   | *        | 0595  | C       |
| 5203   | *        | 0680  | C       |
| 5203   | *        | 0765  | C       |
| 5203   | *        | 0850  | C       |
| 5203   | *        | 0935  | C       |
| 5203   | *        | 1020  | C       |
| 5203   | *        | 1105  | C       |
| 5203   | *        | 1190  | C       |
| 5203   | *        | 1275  | C       |
| 5203   | *        | 1360  | C       |
| 5203   | *        | 1445  | C       |
| 5203   | *        | 1530  | C       |

## 520 LBP

Tappeto Modulare 520 LBP, H=8,7 M=85

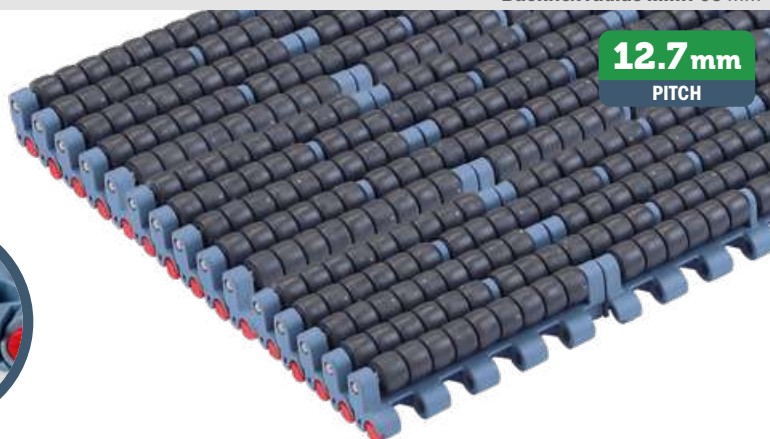
Modular Belt Series 520 LBP, H=8,7 M=85 / Modulare Mattenkette 520 LBP, H=8,7 M=85

Metric Size

### CODE STRUCTURE GUIDE (Example)

Backflex radius min.: 65 mm

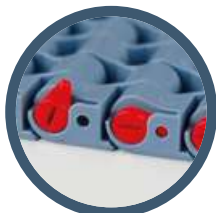
|             |           |             |          |
|-------------|-----------|-------------|----------|
| <b>5204</b> | <b>01</b> | <b>0085</b> | <b>A</b> |
| Series      | *Material | Width       | Version  |



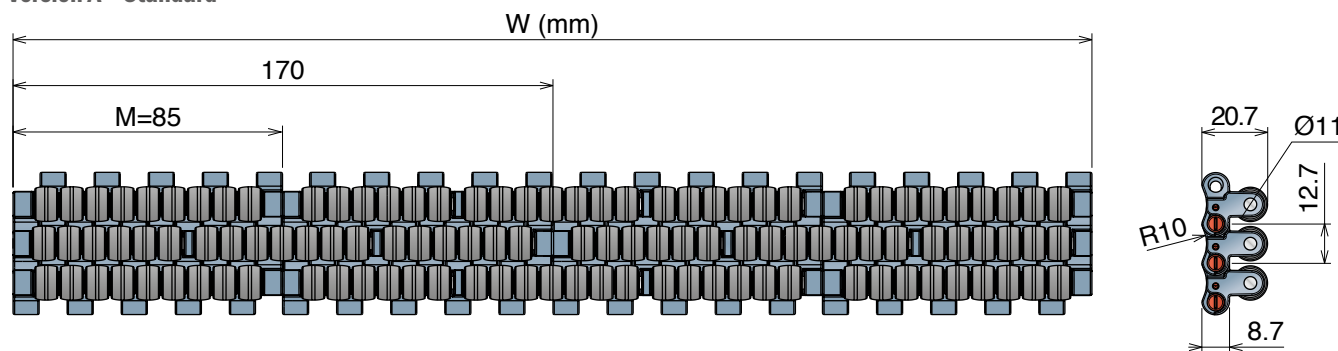
**12.7mm**  
PITCH

|             |             |             |
|-------------|-------------|-------------|
|             |             |             |
| pg. 315-316 | 273/277/280 | pg. 651>661 |

|                   |                    |
|-------------------|--------------------|
| <b>SAMPLE BOX</b> |                    |
| Art.-Nr.          | <b>5204010888A</b> |



### Version A - Standard

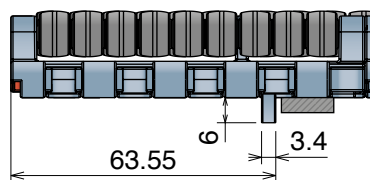


### \*Material

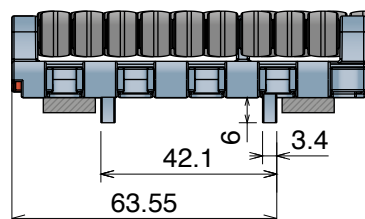
**LFA - Code 01**  
Low friction Acetal

Max w. load: 21500 N/m  
Weight: 24,0 kg/m<sup>2</sup>  
Temp. range dry: -40÷80 °C  
Temp. range wet: 1÷65 °C  
Pin material: PBT white

### Version B - With 1 Positioner



### Version C - With 2 Positioner



### Version A - Standard

| Series | Material | Width | Version |
|--------|----------|-------|---------|
| 5204   | 01       | 0085  | A       |
| 5204   | 01       | 0170  | A       |
| 5204   | 01       | 0255  | A       |
| 5204   | 01       | 0340  | A       |
| 5204   | 01       | 0425  | A       |
| 5204   | 01       | 0510  | A       |
| 5204   | 01       | 0595  | A       |
| 5204   | 01       | 0680  | A       |
| 5204   | 01       | 0765  | A       |
| 5204   | 01       | 0850  | A       |
| 5204   | 01       | 0935  | A       |
| 5204   | 01       | 1020  | A       |
| 5204   | 01       | 1105  | A       |
| 5204   | 01       | 1190  | A       |
| 5204   | 01       | 1275  | A       |
| 5204   | 01       | 1360  | A       |
| 5204   | 01       | 1445  | A       |
| 5204   | 01       | 1530  | A       |

### Version B - With 1 Positioner

| Series | Material | Width | Version |
|--------|----------|-------|---------|
| 5204   | 01       | 0085  | B       |
| 5204   | 01       | 0170  | B       |
| 5204   | 01       | 0255  | B       |
| 5204   | 01       | 0340  | B       |
| 5204   | 01       | 0425  | B       |
| 5204   | 01       | 0510  | B       |
| 5204   | 01       | 0595  | B       |
| 5204   | 01       | 0680  | B       |
| 5204   | 01       | 0765  | B       |
| 5204   | 01       | 0850  | B       |
| 5204   | 01       | 0935  | B       |
| 5204   | 01       | 1020  | B       |
| 5204   | 01       | 1105  | B       |
| 5204   | 01       | 1190  | B       |
| 5204   | 01       | 1275  | B       |
| 5204   | 01       | 1360  | B       |
| 5204   | 01       | 1445  | B       |
| 5204   | 01       | 1530  | B       |

### Version C - With 2 Positioners

| Series | Material | Width | Version |
|--------|----------|-------|---------|
| 5204   | 01       | 0085  | C       |
| 5204   | 01       | 0170  | C       |
| 5204   | 01       | 0255  | C       |
| 5204   | 01       | 0340  | C       |
| 5204   | 01       | 0425  | C       |
| 5204   | 01       | 0510  | C       |
| 5204   | 01       | 0595  | C       |
| 5204   | 01       | 0680  | C       |
| 5204   | 01       | 0765  | C       |
| 5204   | 01       | 0850  | C       |
| 5204   | 01       | 0935  | C       |
| 5204   | 01       | 1020  | C       |
| 5204   | 01       | 1105  | C       |
| 5204   | 01       | 1190  | C       |
| 5204   | 01       | 1275  | C       |
| 5204   | 01       | 1360  | C       |
| 5204   | 01       | 1445  | C       |
| 5204   | 01       | 1530  | C       |

# 520 PRO LBP

Tappeti modulari / Modular belts / Mattenketten

**PATENTED**

Belts wider than standard are available with 85 mm increments

## 520 PRO LBP




Tappeto Modulare 520 PRO LBP, H=8,7 M=85

Modular Belt Series 520 PRO LBP, H=8,7 M=85 / Modulare Mattenkette 520 PRO LBP, H=8,7 M=85

CODE STRUCTURE GUIDE (Example)

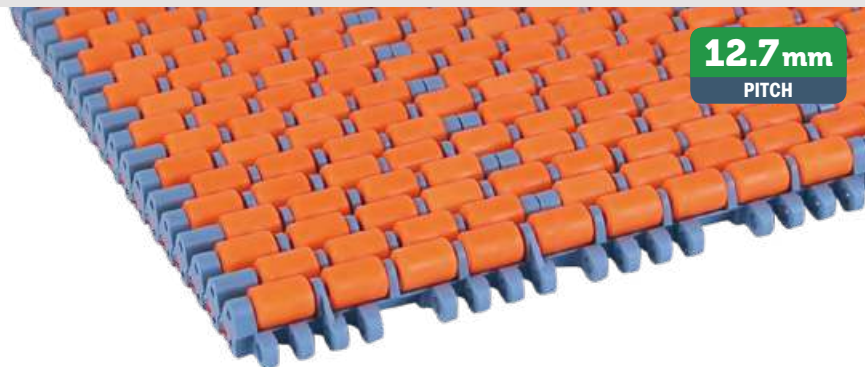
Backflex radius min.: 40 mm

|             |           |             |          |
|-------------|-----------|-------------|----------|
| <b>5209</b> | <b>01</b> | <b>0085</b> | <b>A</b> |
| Series      | *Material | Width       | Version  |

|   |   |   |
|---|---|---|
|  |  |  |
| pg. 315-316   | 273/277/280   | pg. 651->661  |

SAMPLE BOX

Art.-Nr. **5210018888A**



Metric Size

Material

### LFA - Code 01

Low friction Acetal

Max w. load: 25000 N/m  
 Weight SS pin: 19,0 kg/m<sup>2</sup>  
 Weight Plastic pin: 15,3 kg/m<sup>2</sup>  
 Temp. range dry: -40+80 °C  
 Temp. range wet: -40+65 °C  
 Pin material: PBT white

### PFX Roller

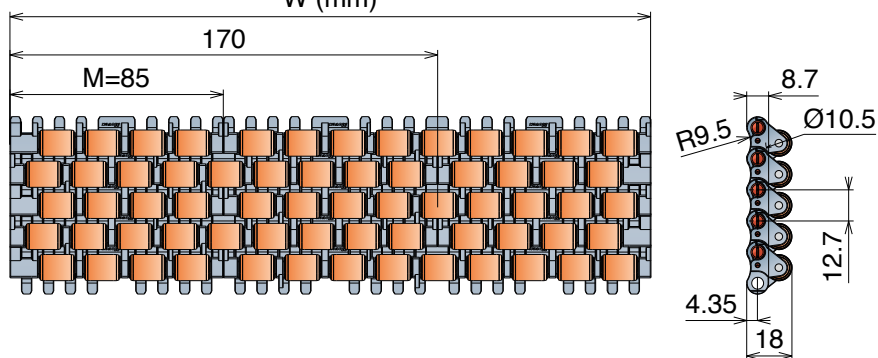
THE BEST CHOICE TO REACH  
THE LOWEST FRICTION



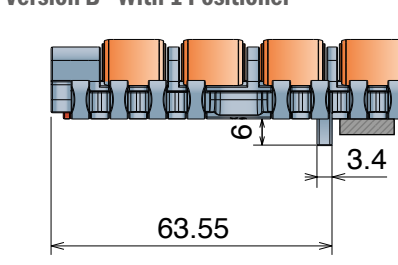
Bottom view

Version A - Standard

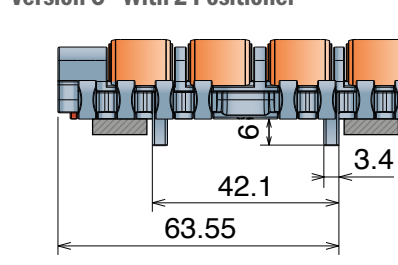
W (mm)



Version B - With 1 Positioner



Version C - With 2 Positioner



Stainless steel  
Pin



Plastic Pin

| Series | Material | Width | Version |
|--------|----------|-------|---------|
| 5209   | 01       | 0085  | *       |
| 5209   | 01       | 0170  | *       |
| 5209   | 01       | 0255  | *       |
| 5209   | 01       | 0340  | *       |
| 5209   | 01       | 0425  | *       |
| 5209   | 01       | 0510  | *       |
| 5209   | 01       | 0595  | *       |
| 5209   | 01       | 0680  | *       |
| 5209   | 01       | 0765  | *       |
| 5209   | 01       | 0850  | *       |
| 5209   | 01       | 0935  | *       |
| 5209   | 01       | 1020  | *       |
| 5209   | 01       | 1105  | *       |
| 5209   | 01       | 1190  | *       |
| 5209   | 01       | 1275  | *       |
| 5209   | 01       | 1360  | *       |
| 5209   | 01       | 1445  | *       |
| 5209   | 01       | 1530  | *       |

| Series | Material | Width | Version |
|--------|----------|-------|---------|
| 5210   | 01       | 0085  | *       |
| 5210   | 01       | 0170  | *       |
| 5210   | 01       | 0255  | *       |
| 5210   | 01       | 0340  | *       |
| 5210   | 01       | 0425  | *       |
| 5210   | 01       | 0510  | *       |
| 5210   | 01       | 0595  | *       |
| 5210   | 01       | 0680  | *       |
| 5210   | 01       | 0765  | *       |
| 5210   | 01       | 0850  | *       |
| 5210   | 01       | 0935  | *       |
| 5210   | 01       | 1020  | *       |
| 5210   | 01       | 1105  | *       |
| 5210   | 01       | 1190  | *       |
| 5210   | 01       | 1275  | *       |
| 5210   | 01       | 1360  | *       |
| 5210   | 01       | 1445  | *       |
| 5210   | 01       | 1530  | *       |

\*Version

Standard Add A

With 1 Positioner Add B

With 2 Positioners Add C

# 520 M

Tappeto Modulare 520 M, H=8,7 K 330  
 Modular Belt Series 520 M, H=8,7 K 330 / Modulare Mattenkette 520 M, H=8,7 K 330

| Part | Article-Nr. | Ref.           | Weight | * Material | Backflex radius min.: 15 mm |
|------|-------------|----------------|--------|------------|-----------------------------|
| 1193 | 1195019330  | LFA 520 M K330 | 1,11   | LFA        |                             |
| 1193 | 1195039330  | MX 520 M K330  | 1,11   | MX         |                             |
| 1193 | 1195309330  | PFX 520 M K330 | 1,11   | PFX        |                             |

|                    |             |             |              |             |
|--------------------|-------------|-------------|--------------|-------------|
| 10 feet<br>3.048 m | NoseBars    | 273/277/280 | pg. 155->161 | pg. 651>661 |
| 240 links          | pg. 315-316 |             |              |             |

SAMPLE BOX  
 Art.-Nr. 1195018888A

**MAGNETIC SYSTEM**



- Easier installation • Quicker maintenance
- Interchangeable with previous design

**\* Material**

**LFA - Code 01**  
 Low friction Acetal  
 Easy Delivery

Max w. load: 2500 N  
 Weight: 7,5 kg/m<sup>2</sup>  
 Temp. range dry: -40÷80 °C  
 Temp. range wet: -40÷65 °C  
 Pin: Ferritic stainless steel

**MX - Code 03**  
 Performance PBT

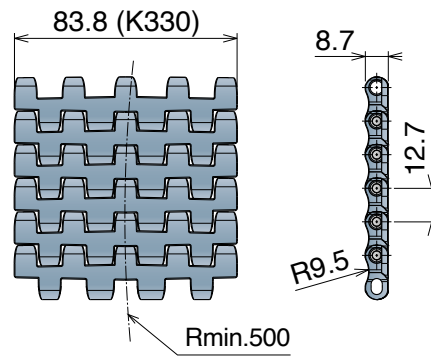
Max w. load: 2000 N  
 Weight: 7,2 kg/m<sup>2</sup>  
 Temp. range dry: -40÷120 °C  
 Temp. range wet: -40÷60 °C  
 Pin: Ferritic stainless steel

**PFX - Code 30**  
 Extra performance PBT

Max w. load: 2000 N  
 Weight: 7,2 kg/m<sup>2</sup>  
 Temp. range dry: -40÷120 °C  
 Temp. range wet: -40÷60 °C  
 Pin: Ferritic stainless steel

**THE BEST CHOICE FOR DRY RUNNING APPLICATIONS**

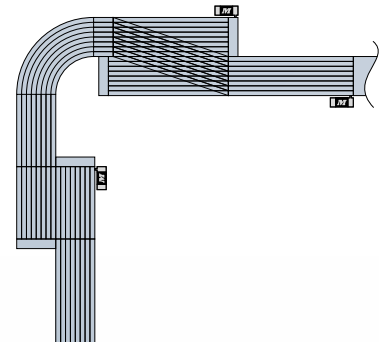
Version A - Standard



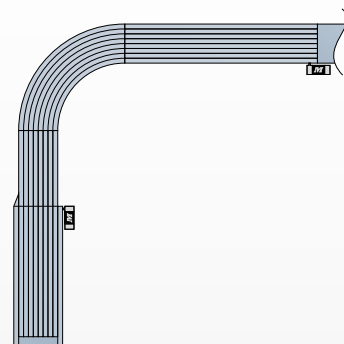
**Advantages:**

- No conveyor side transfers required
- Space savings
- Less components required
- Less drives required

**Coventional layout**



**Layout with 520 M K330**



NEW

**520 M MOVEX TOOL**

The specific tool for 520 M developed to facilitate belt assembly and disassembly.



Article Nr. 29968

Movex tools are made with 3D printer, the color may vary due to availability of the material.

521/522 Series

# 521/522

Pitch 12,7 mm  
H= 8,7 mm



Imperial Size

Metric Size

**Movex**<sup>®</sup>

521 FT

522 HD FT

522 HD FT *One track belt*



## 521 FT

Tappeto Modulare 521 FT, H=8,7 M=7,5"  
Modular Belt Series 521 FT, H=8,7 M=7,5" / Modulare Mattenkette 521 FT, H=8,7 M=7,5"

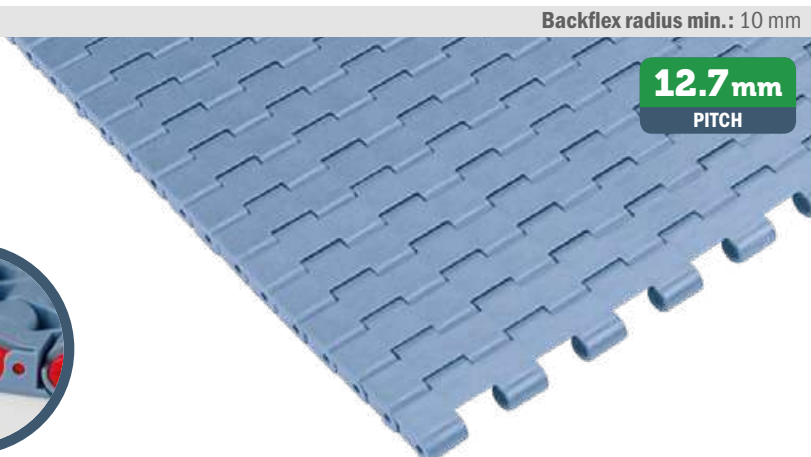
### CODE STRUCTURE GUIDE (Example)

Backflex radius min.: 10 mm

|             |           |             |          |
|-------------|-----------|-------------|----------|
| <b>5311</b> | <b>01</b> | <b>9750</b> | <b>A</b> |
| Series      | *Material | Width       | Version  |

**12.7mm**  
PITCH

|             |             |             |
|-------------|-------------|-------------|
|             |             |             |
| pg. 315-316 | 274/277/280 | pg. 651>661 |



Imperial Size

#### \*Material

#### LFA - Code 01

Low friction Acetal

Easy Delivery

Max w. load: 4000 N  
Weight: 8,0 kg/m<sup>2</sup>  
Temp. range dry: -40÷80 °C  
Temp. range wet: -40÷65 °C  
Pin material: PBT white

#### MX - Code 03

Performance PBT

Max w. load: 3300 N  
Weight: 7,8 kg/m<sup>2</sup>  
Temp. range dry: -40÷120 °C  
Temp. range wet: -40÷60 °C  
Pin material: POM grey

#### DKM - Code 16

Aramide Reinforced Acetal

Max w. load: 4000 N  
Weight: 8,0 kg/m<sup>2</sup>  
Temp. range dry: -40÷80 °C  
Temp. range wet: -40÷65 °C  
Pin material: PBT white

#### MWX - Code 17

Polyamide Composite

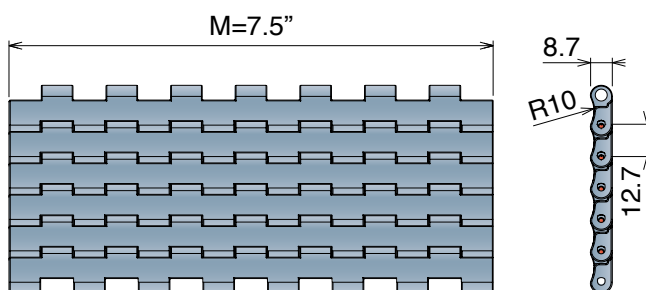
Max w. load: 4000 N  
Weight: 8,3 kg/m<sup>2</sup>  
Temp. range dry: -40÷104 °C  
Temp. range wet: NR  
Pin material: PBT white

#### MPX - Code 25

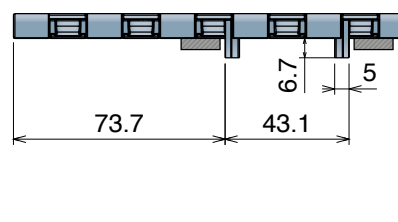
Lubricated Acetal

Max w. load: 4000 N  
Weight: 8,0 kg/m<sup>2</sup>  
Temp. range dry: -40÷80 °C  
Temp. range wet: -40÷65 °C  
Pin material: PBT white

#### Version A - Standard



#### Version C - With 2 Positioner



#### Version A - Standard

| Series | Material | Width | Version |
|--------|----------|-------|---------|
| 5311   | *        | 9750  | A       |

#### Version C - With 2 Positioners

| Series | Material | Width | Version |
|--------|----------|-------|---------|
| 5311   | *        | 9750  | C       |

## NEW 522 HD FT Tappeto Modulare 522 HD, H=8,7 M=50 Modular Belt Series 522 HD, H=8,7 M=50 / Modulare Mattenkette 522 HD, H=8,7 M=50

Metric Size

CODE STRUCTURE GUIDE (Example)

Backflex radius min.: 10 mm

|             |           |             |          |
|-------------|-----------|-------------|----------|
| <b>5271</b> | <b>01</b> | <b>0100</b> | <b>A</b> |
| Series      | *Material | Width       | Version  |

**12.7mm**  
PITCH

|             |             |              |
|-------------|-------------|--------------|
|             |             |              |
| pg. 313-314 | 274/278/281 | pg. 651->661 |



### \*Material

#### LFA - Code 01

Low friction Acetal

Easy Delivery

Max w. load: 25500 N/m  
Weight: 7,8 kg/m<sup>2</sup>  
Temp. range dry: -40+80 °C  
Temp. range wet: -40+65 °C  
Pin material: PBT white

#### MX - Code 03

Performance PBT

Max w. load: 20000 N/m  
Weight: 7,5 kg/m<sup>2</sup>  
Temp. range dry: -40+120 °C  
Temp. range wet: -40+60 °C  
Pin material: POM grey

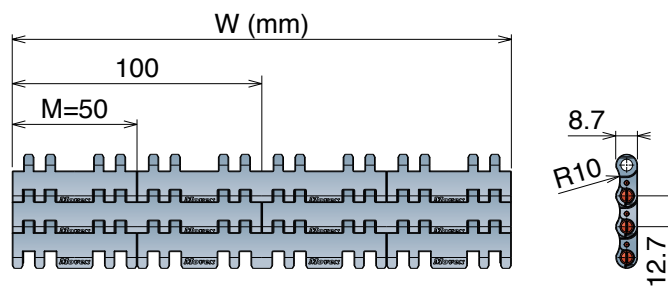
#### PFX - Code 30

Extra performance PBT

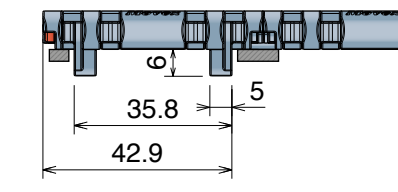
Max w. load: 20000 N/m  
Weight: 7,5 kg/m<sup>2</sup>  
Temp. range dry: -40+120 °C  
Temp. range wet: -40+60 °C  
Pin material: POM grey

**THE BEST CHOICE FOR  
DRY RUNNING APPLICATIONS**

### Version A - Standard



### Version C - With 2 Positioner



### Version A - Standard

| Series | Material | Width  | Version |
|--------|----------|--------|---------|
| 5271   | *        | 0100** | A       |
| 5271   | *        | 0150   | A       |
| 5271   | *        | 0200   | A       |
| 5271   | *        | 0250   | A       |
| 5271   | *        | 0300   | A       |

### Version C - With 2 Positioners

| Series | Material | Width  | Version |
|--------|----------|--------|---------|
| 5271   | *        | 0100** | C       |
| 5271   | *        | 0150   | C       |
| 5271   | *        | 0200   | C       |
| 5271   | *        | 0250   | C       |
| 5271   | *        | 0300   | C       |

\*\* Belt assembled with Pin Sphere.

NEW

## 522 HD One track belt MOVEX TOOL

The specific tool for belts developed to facilitate belt assembly and disassembly, perfectly compatible also with all 522 HD One-Track belt versions (See next page).



Article Nr. **29971**

Movex tools are made with 3D printer, the color may vary due to availability of the material.

## NEW 522 HD FT One track Belt

Tappeto Modulare 522 HD, H=8,7  
Modular Belt Series 522 HD, H=8,7 / Modulare Mattenkette 522 HD, H=8,7

Metric Size

### CODE STRUCTURE GUIDE (Example)

Backflex radius min.: 10 mm

|        |           |       |         |
|--------|-----------|-------|---------|
| 5271   | 01        | 9115  | A       |
| Series | *Material | Width | Version |

**12.7mm**  
PITCH

 **NoseBars**  **SAMPLE BOX**  
 pg. 313-314 | 274/278/281 | pg. 651>661 | Art.-Nr. **5271018888A**

\*Material

Easy Delivery

**LFA - Code 01**  
Low friction Acetal

**MX - Code 03**  
Performance PBT

**PFX - Code 30**  
Extra performance PBT

**Max w. load:** See table below  
**Weight:** 7,8 kg/m<sup>2</sup>  
**Temp. range dry:** -40+80 °C  
**Temp. range wet:** -40+65 °C  
**Pin material:** PBT white

**Max w. load:** See table below  
**Weight:** 7,5 kg/m<sup>2</sup>  
**Temp. range dry:** -40+120 °C  
**Temp. range wet:** -40+60 °C  
**Pin material:** POM black

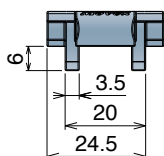
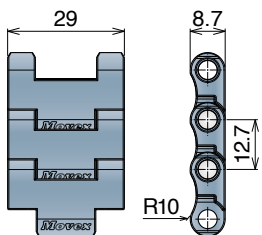
**Max w. load:** See table below  
**Weight:** 7,5 kg/m<sup>2</sup>  
**Temp. range dry:** -40+120 °C  
**Temp. range wet:** -40+60 °C  
**Pin material:** POM black

 **Pin Sphere**®  
 AUTOLOCK • Easier installation  
 • Quicker maintenance  
 • High strength

### Width 29 mm

#### Version C - With 2 Positioner

#### Version A - Standard

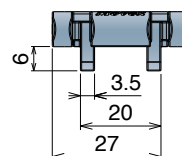
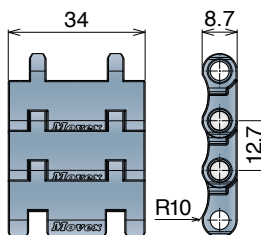


| Series | Material | Width | Version |
|--------|----------|-------|---------|
| 5271   | *        | 9115  | A       |
| 5271   | *        | 9115  | C       |

### Width 34 mm

#### Version C - With 2 Positioner

#### Version A - Standard

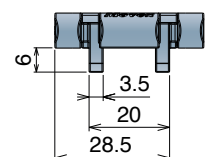
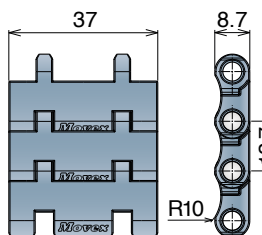


| Series | Material | Width | Version |
|--------|----------|-------|---------|
| 5271   | *        | 9134  | A       |
| 5271   | *        | 9134  | C       |

### Width 37 mm

#### Version C - With 2 Positioner

#### Version A - Standard

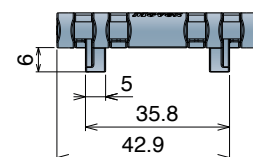
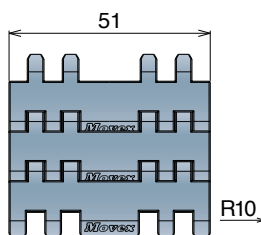


| Series | Material | Width | Version |
|--------|----------|-------|---------|
| 5271   | *        | 9145  | A       |
| 5271   | *        | 9145  | C       |

### Width 51 mm

#### Version C - With 2 Positioner

#### Version A - Standard

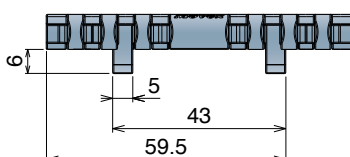
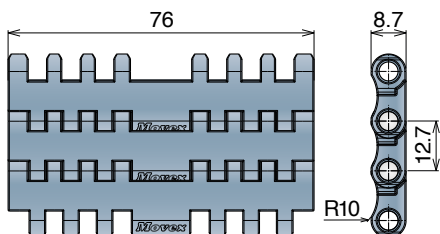


| Series | Material | Width | Version |
|--------|----------|-------|---------|
| 5271   | *        | 9200  | A       |
| 5271   | *        | 9200  | C       |

### Width 76 mm

#### Version C - With 2 Positioner

#### Version A - Standard



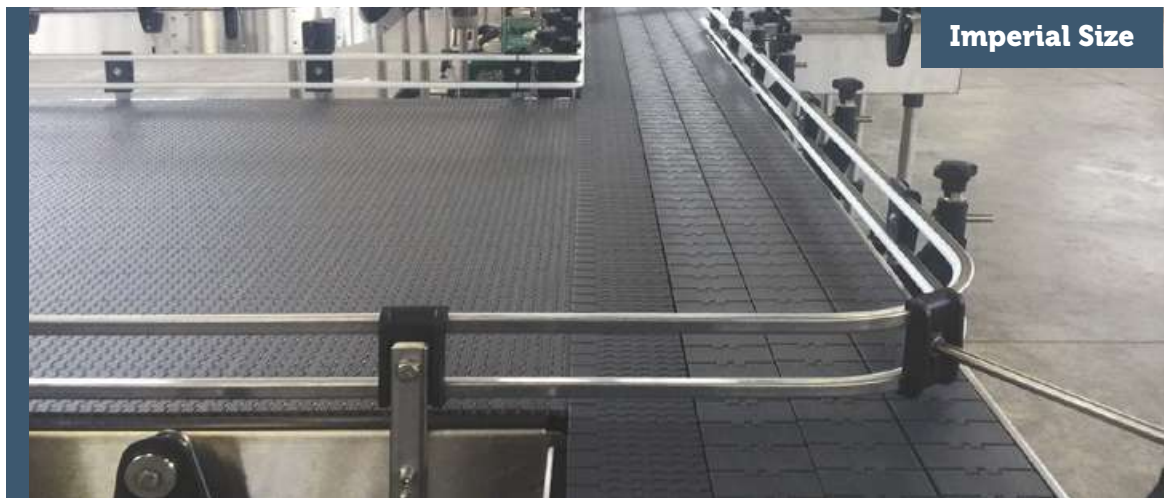
| Series | Material | Width | Version |
|--------|----------|-------|---------|
| 5271   | *        | 9300  | A       |
| 5271   | *        | 9300  | C       |

#### Max working load (N)

| Width | 29  | 34  | 37  | 51   | 76   |
|-------|-----|-----|-----|------|------|
| LFA   | 600 | 870 | 945 | 1300 | 2000 |
| MX    | 450 | 680 | 740 | 1020 | 1520 |
| PFX   | 450 | 680 | 740 | 1020 | 1520 |

# 590

Pitch 19,05 mm  
H= 8,7 mm



590 FT  
590 FT *One track Belt*  
590 FTT

## 590 FT

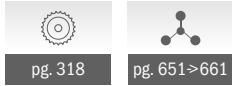
Tappeto Modulare 590 FT, H=8,7 M=3"  
Modular Belt Series 590 FT, H=8,7 M=3" / Modulare Mattenkette 590 FT, H=8,7 M=3"

Imperial Size

| CODE STRUCTURE GUIDE (Example) |           |       |         |
|--------------------------------|-----------|-------|---------|
| 5301                           | 01        | 0003  | A       |
| Series                         | *Material | Width | Version |

Backflex radius min.: 25 mm

**19.05mm**  
PITCH

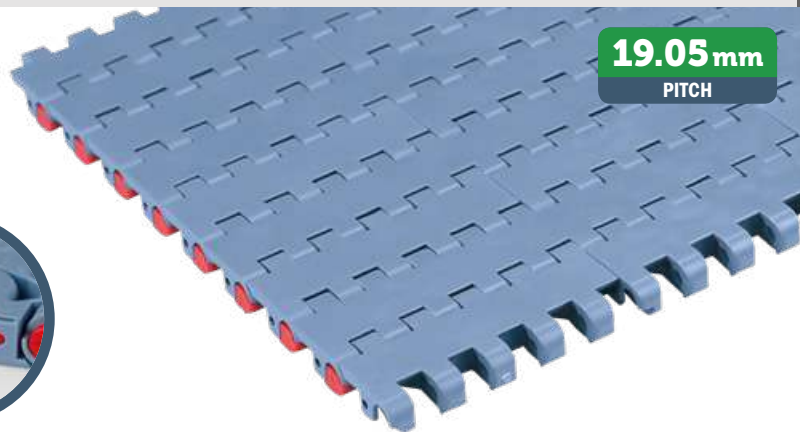


pg. 318

pg. 651 > 661

### SAMPLE BOX

Art.-Nr. **5301018888A**



#### \*Material

#### LFA - Code 01

Low friction Acetal

Easy Delivery

Max w. load: 30000 N/m  
Weight: 7,2 kg/m<sup>2</sup>  
Temp. range dry: -40÷80 °C  
Temp. range wet: -40÷65 °C  
Pin material: PBT white

#### MX - Code 03

Performance PBT

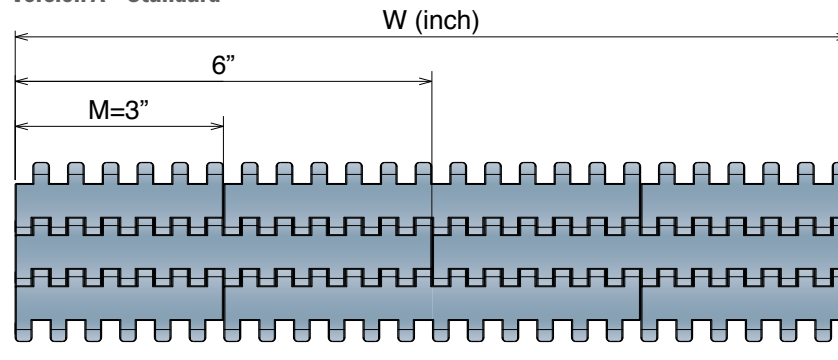
Max w. load: 24000 N/m  
Weight: 7,0 kg/m<sup>2</sup>  
Temp. range dry: -40÷120 °C  
Temp. range wet: -40÷60 °C  
Pin material: POM grey

#### MPX - Code 25

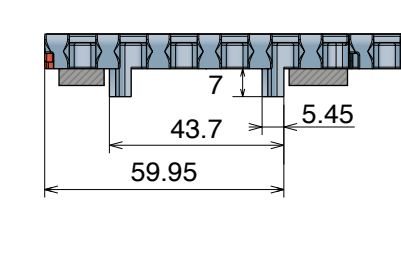
Lubricated Acetal

Max w. load: 30000 N/m  
Weight: 7,2 kg/m<sup>2</sup>  
Temp. range dry: -40÷80 °C  
Temp. range wet: -40÷65 °C  
Pin material: PBT white

#### Version A - Standard



#### Version C - With 2 Positioner



#### Version A - Standard

| Series | Material | Width | Version |
|--------|----------|-------|---------|
| 5301   | *        | 0003  | A       |
| 5301   | *        | 0006  | A       |
| 5301   | *        | 0009  | A       |
| 5301   | *        | 0012  | A       |
| 5301   | *        | 0015  | A       |
| 5301   | *        | 0018  | A       |
| 5301   | *        | 0021  | A       |
| 5301   | *        | 0024  | A       |
| 5301   | *        | 0027  | A       |
| 5301   | *        | 0030  | A       |
| 5301   | *        | 0033  | A       |
| 5301   | *        | 0036  | A       |
| 5301   | *        | 0039  | A       |
| 5301   | *        | 0042  | A       |
| 5301   | *        | 0045  | A       |
| 5301   | *        | 0048  | A       |
| 5301   | *        | 0051  | A       |
| 5301   | *        | 0054  | A       |

#### Version C - With 2 Positioners

| Series | Material | Width | Version |
|--------|----------|-------|---------|
| 5301   | *        | 0003  | C       |
| 5301   | *        | 0006  | C       |
| 5301   | *        | 0009  | C       |
| 5301   | *        | 0012  | C       |
| 5301   | *        | 0015  | C       |
| 5301   | *        | 0018  | C       |
| 5301   | *        | 0021  | C       |
| 5301   | *        | 0024  | C       |
| 5301   | *        | 0027  | C       |
| 5301   | *        | 0030  | C       |
| 5301   | *        | 0033  | C       |
| 5301   | *        | 0036  | C       |
| 5301   | *        | 0039  | C       |
| 5301   | *        | 0042  | C       |
| 5301   | *        | 0045  | C       |
| 5301   | *        | 0048  | C       |
| 5301   | *        | 0051  | C       |
| 5301   | *        | 0054  | C       |

# 590 FT One track Belt

Tappeti modulari / Modular belts / Mattenketten

Imperial Size

## 590 FT One track Belt



Tappeto Modulare 590 FT, H=8,7  
Modular Belt Series 590 FT, H=8,7 / Modulare Mattenkette 590 FT, H=8,7

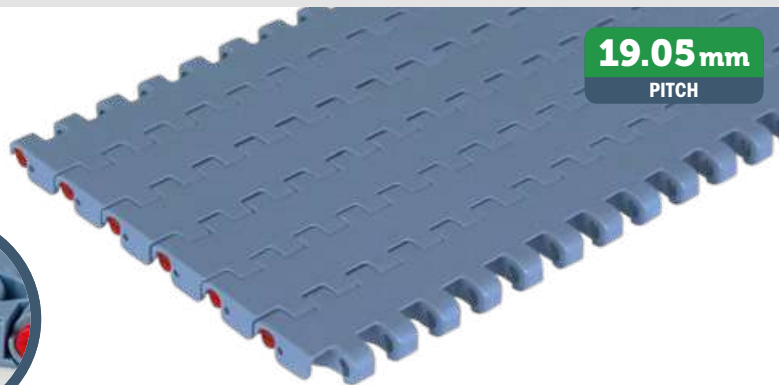
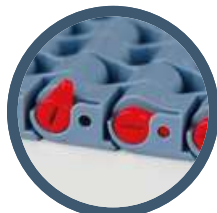
CODE STRUCTURE GUIDE (Example)

Backflex radius min.: 25 mm

|             |           |             |          |
|-------------|-----------|-------------|----------|
| <b>5301</b> | <b>01</b> | <b>9325</b> | <b>A</b> |
| Series      | *Material | Width       | Version  |

**19.05 mm**  
PITCH

|   |   |
|---|---|
|  |  |
| pg. 318   | pg. 651>661   |



### \*Material

#### LFA - Code 01

Low friction Acetal

Easy Delivery

**Weight:** 7,2 kg/m<sup>2</sup>  
**Temp. range dry:** -40+80 °C  
**Temp. range wet:** -40+65 °C  
**Pin material:** PBT white

#### MX - Code 03

Performance PBT

**Weight:** 7,0 kg/m<sup>2</sup>  
**Temp. range dry:** -40+120 °C  
**Temp. range wet:** -40+60 °C  
**Pin material:** POM grey

#### MPX - Code 25

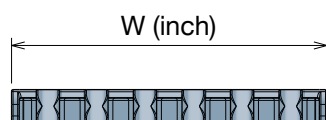
Lubricated Acetal

**Weight:** 7,2 kg/m<sup>2</sup>  
**Temp. range dry:** -40+80 °C  
**Temp. range wet:** -40+65 °C  
**Pin material:** PBT white

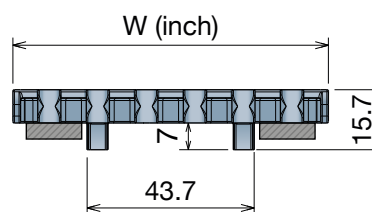
### Max working load (N)

| Width | K325 | K450 | K750 |
|-------|------|------|------|
| LFA   | 2500 | 3400 | 5700 |
| MX    | 2000 | 2800 | 4500 |
| MPX   | 2500 | 3400 | 5700 |

### Version A - Standard

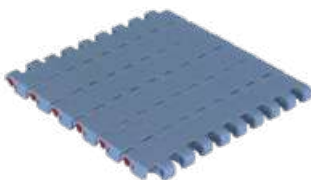


### Version C - With 2 Positioner



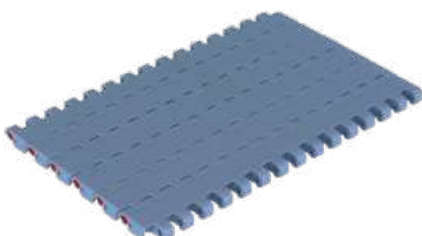
### K325 - One track belt

| Series | Material | Width | Version |
|--------|----------|-------|---------|
| 5301   | *        | 9325  | A       |
| 5301   | *        | 9325  | C       |



### K450 - One track belt

| Series | Material | Width | Version |
|--------|----------|-------|---------|
| 5301   | *        | 9450  | A       |
| 5301   | *        | 9450  | C       |



### K750 - One track belt

| Series | Material | Width | Version |
|--------|----------|-------|---------|
| 5301   | *        | 9750  | A       |
| 5301   | *        | 9750  | C       |

Tappeti modulari / Modular belts / Mattenketten

## 590 FTT

Tappeto Modulare 590 FTT, H=8,7  
 Modular Belt Series 590 FTT, H=8,7 / Modulare Mattenkette 590 FTT, H=8,7

Imperial Size

### CODE STRUCTURE GUIDE (Example)

Backflex radius min.: 25 mm

|             |           |             |            |
|-------------|-----------|-------------|------------|
| <b>5306</b> | <b>01</b> | <b>9450</b> | <b>C-R</b> |
| Series      | *Material | Width       | Version    |

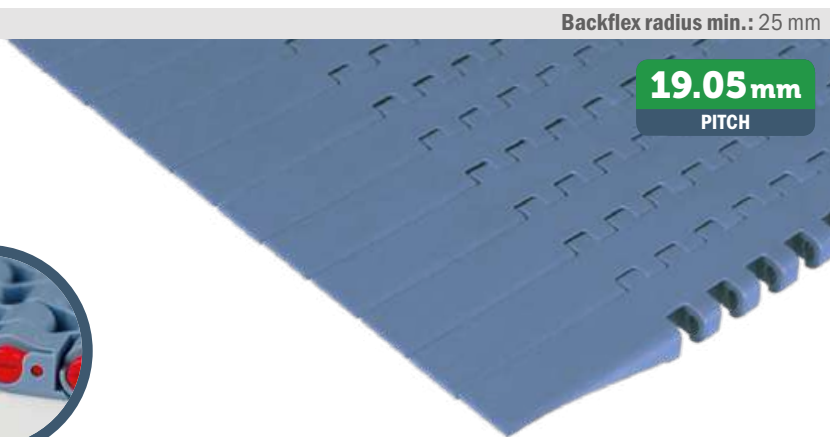
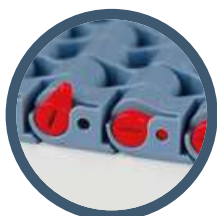
**19.05mm**  
PITCH



pg. 318



pg. 651>661



### \*Material

#### LFA - Code 01

Low friction Acetal

Weight: 7,2 kg/m<sup>2</sup>  
 Temp. range dry: -40÷80 °C  
 Temp. range wet: -40÷65 °C  
 Pin material: PBT white

#### MX - Code 03

Performance PBT

Weight: 7,0 kg/m<sup>2</sup>  
 Temp. range dry: -40÷120 °C  
 Temp. range wet: -40÷60 °C  
 Pin material: POM grey

#### MPX - Code 25

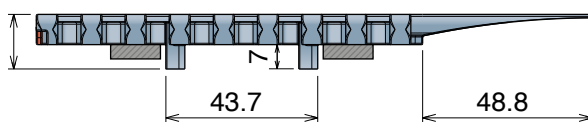
Lubricated Acetal

Weight: 7,2 kg/m<sup>2</sup>  
 Temp. range dry: -40÷80 °C  
 Temp. range wet: -40÷65 °C  
 Pin material: PBT white

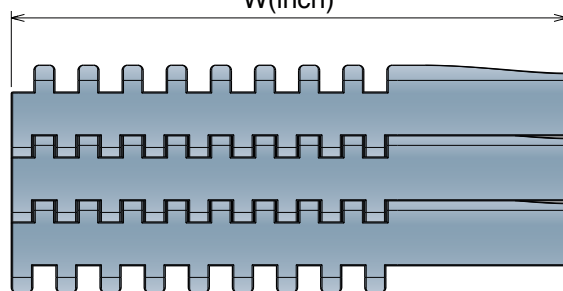
### Max working load (N)

| Width | K450 | K750 |
|-------|------|------|
| LFA   | 3400 | 5700 |
| MX    | 2800 | 4500 |
| MPX   | 3400 | 5700 |

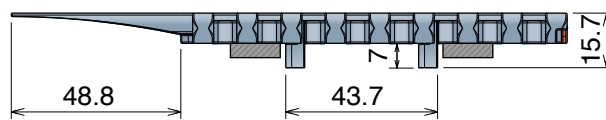
### Version 590 FTT DX



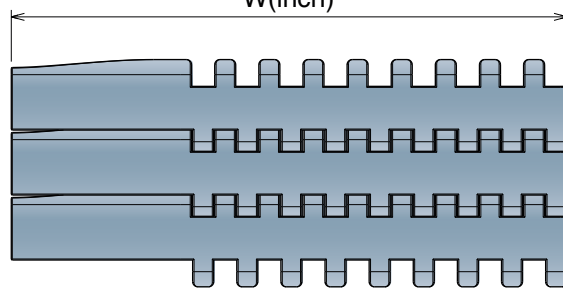
W(inch)



### Version 590 FTT SX



W(inch)



### Version 590 FTT DX

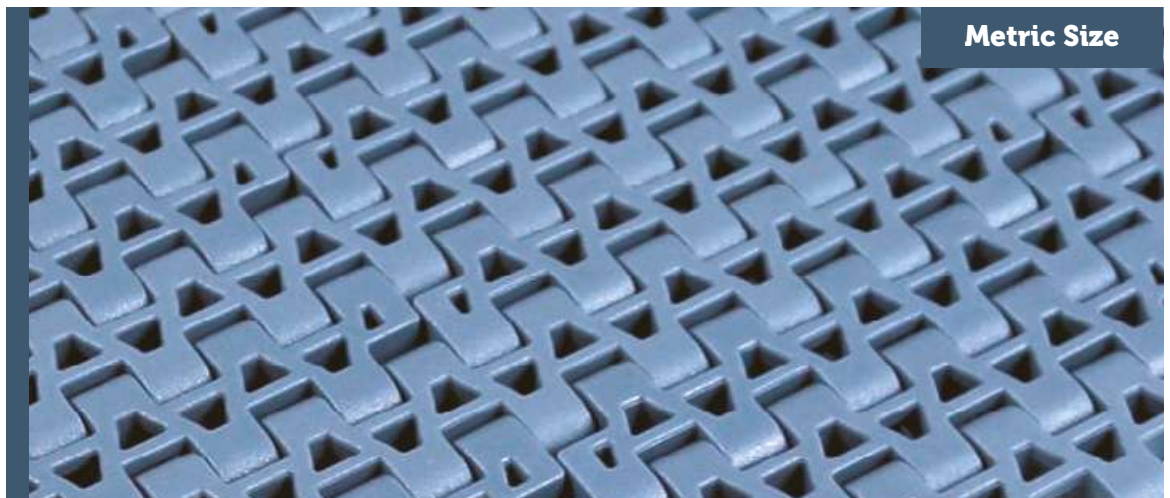
| Series | Material | Width | Version | Total width |
|--------|----------|-------|---------|-------------|
| 5306   | *        | 9450  | C-R     | 160.0       |
| 5306   | *        | 9750  | C-R     | 236.2       |

### Version 590 FTT SX

| Series | Material | Width | Version | Total width |
|--------|----------|-------|---------|-------------|
| 5306   | *        | 9450  | C-L     | 160.0       |
| 5306   | *        | 9750  | C-L     | 236.2       |

# 525

Pitch 15,0 mm  
H= 8,7 mm



Metric Size

- 525 HD FT
- 525 HD FT+RIB
- 525 FTT
- 525 HD FG
- 525 HD GT
- 525 HD GT *Side Indent*



## 525 HD FT

Tappeto Modulare 525 HD, H=8,7 M=85  
Modular Belt Series 525 HD, H=8,7 M=85 / Modulare Mattenkette 525 HD, H=8,7 M=85

Metric Size

| CODE STRUCTURE GUIDE (Example) |           |       |         |
|--------------------------------|-----------|-------|---------|
| 5261                           | 01        | 0085  | A       |
| Series                         | *Material | Width | Version |

Backflex radius min.: 25 mm

**15.0mm**  
PITCH

|         |             |             |
|---------|-------------|-------------|
|         |             |             |
| pg. 317 | 273/277/280 | pg. 651>661 |

| SAMPLE BOX |             |
|------------|-------------|
| Art.-Nr.   | 5261018888A |



REINFORCED POSITIONER

### \*Material

#### LFA - Code 01

Low friction Acetal

##### Easy Delivery

Max w. load: 25500 N/m  
Weight: 9,0 kg/m<sup>2</sup>  
Temp. range dry: -40÷80 °C  
Temp. range wet: -40÷65 °C  
Pin material: PBT white

#### PP - Code 02

Polypropylene

Max w. load: 15500 N/m  
Weight: 8,7 kg/m<sup>2</sup>  
Temp. range dry: 4÷104 °C  
Temp. range wet: 4÷104 °C  
Pin material: PP blue

#### MX - Code 03

Performance PBT

Max w. load: 20500 N/m  
Weight: 8,7 kg/m<sup>2</sup>  
Temp. range dry: -40÷120 °C  
Temp. range wet: -40÷60 °C  
Pin material: POM grey

#### LFB - Code 23

Low friction Acetal

Max w. load: 25500 N/m  
Weight: 9,0 kg/m<sup>2</sup>  
Temp. range dry: -40÷80 °C  
Temp. range wet: -40÷65 °C  
Pin material: PBT white

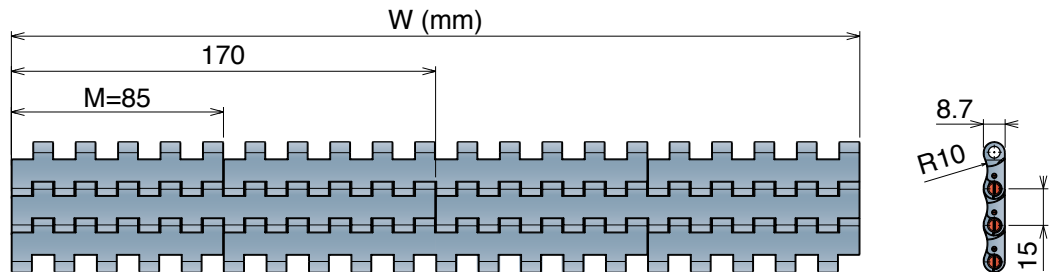
#### PFX - Code 30

Extra performance PBT

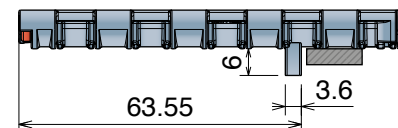
Max w. load: 20500 N/m  
Weight: 8,7 kg/m<sup>2</sup>  
Temp. range dry: -40÷120 °C  
Temp. range wet: -40÷60 °C  
Pin material: POM grey

**THE BEST CHOICE FOR  
DRY RUNNING APPLICATIONS**

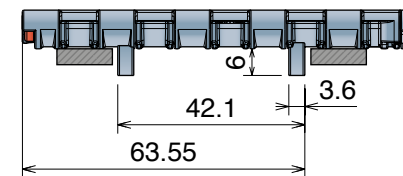
### Version A - Standard



### Version B - With 1 Positioner



### Version C - With 2 Positioner



### Version A - Standard

| Series | Material | Width | Version |
|--------|----------|-------|---------|
| 5261   | *        | 0085  | A       |
| 5261   | *        | 0170  | A       |
| 5261   | *        | 0255  | A       |
| 5261   | *        | 0340  | A       |
| 5261   | *        | 0425  | A       |
| 5261   | *        | 0510  | A       |
| 5261   | *        | 0595  | A       |
| 5261   | *        | 0680  | A       |
| 5261   | *        | 0765  | A       |
| 5261   | *        | 0850  | A       |
| 5261   | *        | 0935  | A       |
| 5261   | *        | 1020  | A       |
| 5261   | *        | 1105  | A       |
| 5261   | *        | 1190  | A       |
| 5261   | *        | 1275  | A       |
| 5261   | *        | 1360  | A       |
| 5261   | *        | 1445  | A       |
| 5261   | *        | 1530  | A       |

### Version B - With 1 Positioner

| Series | Material | Width | Version |
|--------|----------|-------|---------|
| 5261   | *        | 0085  | B       |
| 5261   | *        | 0170  | B       |
| 5261   | *        | 0255  | B       |
| 5261   | *        | 0340  | B       |
| 5261   | *        | 0425  | B       |
| 5261   | *        | 0510  | B       |
| 5261   | *        | 0595  | B       |
| 5261   | *        | 0680  | B       |
| 5261   | *        | 0765  | B       |
| 5261   | *        | 0850  | B       |
| 5261   | *        | 0935  | B       |
| 5261   | *        | 1020  | B       |
| 5261   | *        | 1105  | B       |
| 5261   | *        | 1190  | B       |
| 5261   | *        | 1275  | B       |
| 5261   | *        | 1360  | B       |
| 5261   | *        | 1445  | B       |
| 5261   | *        | 1530  | B       |

### Version C - With 2 Positioners

| Series | Material | Width | Version |
|--------|----------|-------|---------|
| 5261   | *        | 0085  | C       |
| 5261   | *        | 0170  | C       |
| 5261   | *        | 0255  | C       |
| 5261   | *        | 0340  | C       |
| 5261   | *        | 0425  | C       |
| 5261   | *        | 0510  | C       |
| 5261   | *        | 0595  | C       |
| 5261   | *        | 0680  | C       |
| 5261   | *        | 0765  | C       |
| 5261   | *        | 0850  | C       |
| 5261   | *        | 0935  | C       |
| 5261   | *        | 1020  | C       |
| 5261   | *        | 1105  | C       |
| 5261   | *        | 1190  | C       |
| 5261   | *        | 1275  | C       |
| 5261   | *        | 1360  | C       |
| 5261   | *        | 1445  | C       |
| 5261   | *        | 1530  | C       |

## 525 HD FT + RIB




Tappeto Modulare 525 HD, H=8,7 M=85

Modular Belt Series 525 HD, H=8,7 M=85 / Modulare Mattenkette 525 HD, H=8,7 M=85

CODE STRUCTURE GUIDE (Example)

Backflex radius min.: 25 mm

|             |           |             |          |            |
|-------------|-----------|-------------|----------|------------|
| <b>5261</b> | <b>01</b> | <b>0085</b> | <b>A</b> | <b>XR3</b> |
| Series      | *Material | Width       | Version  | RIB        |

|   |   |   |
|---|---|---|
|  |  |  |
| pg. 317   | 273/277/280   | pg. 651>661   |



**15.0 mm**  
PITCH

Metric Size

\*Material

### LFA - Code 01

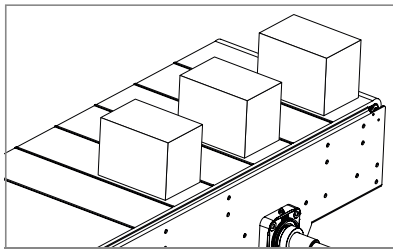
Low friction Acetal

Max w. load: 25500 N/m  
Weight: 9,0 kg/m<sup>2</sup>  
Temp. range dry: -40÷80 °C  
Temp. range wet: -40÷65 °C  
Pin material: PBT white

### MX - Code 03

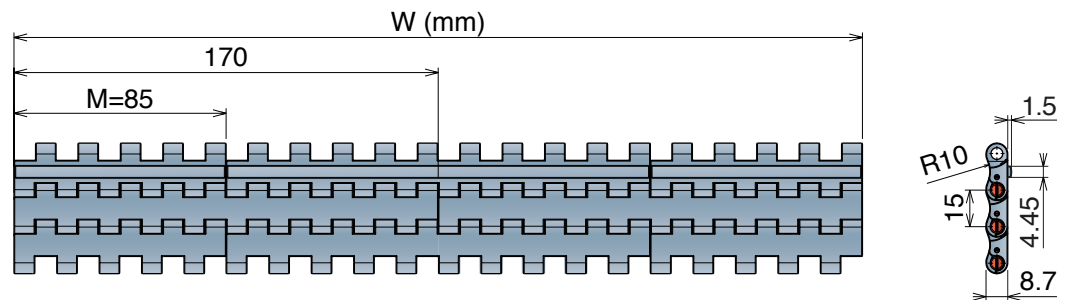
Performance PBT

Max w. load: 20500 N/m  
Weight: 8,7 kg/m<sup>2</sup>  
Temp. range dry: -40÷120 °C  
Temp. range wet: -40÷60 °C  
Pin material: POM grey

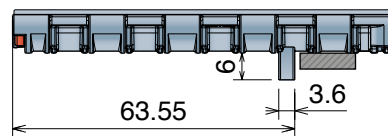


Special application in palletizer

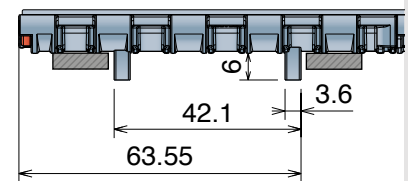
Version A - Standard



Version B - With 1 Positioner



Version C - With 2 Positioner



Version A - Standard

| Series | Material | Width | Version | RIB        |
|--------|----------|-------|---------|------------|
| 5261   | *        | 0085  | A       | XR3 or XR5 |
| 5261   | *        | 0170  | A       | XR3 or XR5 |
| 5261   | *        | 0255  | A       | XR3 or XR5 |
| 5261   | *        | 0340  | A       | XR3 or XR5 |
| 5261   | *        | 0425  | A       | XR3 or XR5 |
| 5261   | *        | 0510  | A       | XR3 or XR5 |
| 5261   | *        | 0595  | A       | XR3 or XR5 |
| 5261   | *        | 0680  | A       | XR3 or XR5 |
| 5261   | *        | 0765  | A       | XR3 or XR5 |
| 5261   | *        | 0850  | A       | XR3 or XR5 |
| 5261   | *        | 0935  | A       | XR3 or XR5 |
| 5261   | *        | 1020  | A       | XR3 or XR5 |
| 5261   | *        | 1105  | A       | XR3 or XR5 |
| 5261   | *        | 1190  | A       | XR3 or XR5 |
| 5261   | *        | 1275  | A       | XR3 or XR5 |
| 5261   | *        | 1360  | A       | XR3 or XR5 |
| 5261   | *        | 1445  | A       | XR3 or XR5 |
| 5261   | *        | 1530  | A       | XR3 or XR5 |

XR3 (RIB every 3 links) | XR5 (RIB every 5 links)

Version B - With 1 Positioner

| Series | Material | Width | Version | RIB        |
|--------|----------|-------|---------|------------|
| 5261   | *        | 0085  | B       | XR3 or XR5 |
| 5261   | *        | 0170  | B       | XR3 or XR5 |
| 5261   | *        | 0255  | B       | XR3 or XR5 |
| 5261   | *        | 0340  | B       | XR3 or XR5 |
| 5261   | *        | 0425  | B       | XR3 or XR5 |
| 5261   | *        | 0510  | B       | XR3 or XR5 |
| 5261   | *        | 0595  | B       | XR3 or XR5 |
| 5261   | *        | 0680  | B       | XR3 or XR5 |
| 5261   | *        | 0765  | B       | XR3 or XR5 |
| 5261   | *        | 0850  | B       | XR3 or XR5 |
| 5261   | *        | 0935  | B       | XR3 or XR5 |
| 5261   | *        | 1020  | B       | XR3 or XR5 |
| 5261   | *        | 1105  | B       | XR3 or XR5 |
| 5261   | *        | 1190  | B       | XR3 or XR5 |
| 5261   | *        | 1275  | B       | XR3 or XR5 |
| 5261   | *        | 1360  | B       | XR3 or XR5 |
| 5261   | *        | 1445  | B       | XR3 or XR5 |
| 5261   | *        | 1530  | B       | XR3 or XR5 |

XR3 (RIB every 3 links) | XR5 (RIB every 5 links)

Version C - With 2 Positioners

| Series | Material | Width | Version | RIB        |
|--------|----------|-------|---------|------------|
| 5261   | *        | 0085  | C       | XR3 or XR5 |
| 5261   | *        | 0170  | C       | XR3 or XR5 |
| 5261   | *        | 0255  | C       | XR3 or XR5 |
| 5261   | *        | 0340  | C       | XR3 or XR5 |
| 5261   | *        | 0425  | C       | XR3 or XR5 |
| 5261   | *        | 0510  | C       | XR3 or XR5 |
| 5261   | *        | 0595  | C       | XR3 or XR5 |
| 5261   | *        | 0680  | C       | XR3 or XR5 |
| 5261   | *        | 0765  | C       | XR3 or XR5 |
| 5261   | *        | 0850  | C       | XR3 or XR5 |
| 5261   | *        | 0935  | C       | XR3 or XR5 |
| 5261   | *        | 1020  | C       | XR3 or XR5 |
| 5261   | *        | 1105  | C       | XR3 or XR5 |
| 5261   | *        | 1190  | C       | XR3 or XR5 |
| 5261   | *        | 1275  | C       | XR3 or XR5 |
| 5261   | *        | 1360  | C       | XR3 or XR5 |
| 5261   | *        | 1445  | C       | XR3 or XR5 |
| 5261   | *        | 1530  | C       | XR3 or XR5 |

XR3 (RIB every 3 links) | XR5 (RIB every 5 links)

## 525 FTT

Tappeto Modulare 525 FTT, H=8,7 M=85  
 Modular Belt Series 525 FTT, H=8,7 M=85 / Modulare Mattenkette 525 FTT, H=8,7 M=85

Metric Size

### CODE STRUCTURE GUIDE (Example)

Backflex radius min.: 25 mm

|             |           |             |          |
|-------------|-----------|-------------|----------|
| <b>5256</b> | <b>01</b> | <b>0085</b> | <b>C</b> |
| Series      | *Material | Width       | Version  |

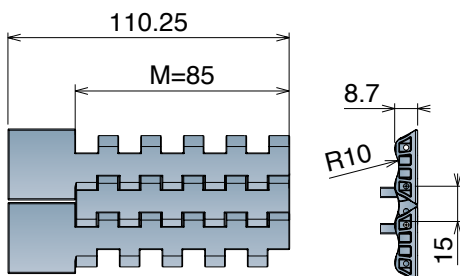
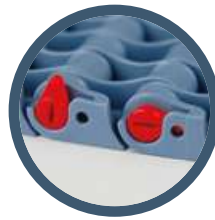
**15.0mm**  
PITCH

|         |             |             |
|---------|-------------|-------------|
|         |             |             |
| pg. 317 | 273/277/280 | pg. 651>661 |

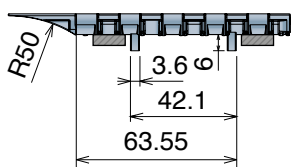
#### \*Material

|   |  |
|---|--|
| <b>LFA - Code 01</b><br>Low friction Acetal | <b>MX - Code 03</b><br>Performance PBT |
|---|--|

|                                      |                                      |
|--------------------------------------|--------------------------------------|
| <b>Max w. load:</b> 21500 N/m        | <b>Max w. load:</b> 17500 N/m        |
| <b>Weight:</b> 7,8 kg/m <sup>2</sup> | <b>Weight:</b> 7,5 kg/m <sup>2</sup> |
| <b>Temp. range dry:</b> -40÷80 °C    | <b>Temp. range dry:</b> -40÷120 °C   |
| <b>Temp. range wet:</b> -40÷65 °C    | <b>Temp. range wet:</b> -40÷60 °C    |
| <b>Pin material:</b> PBT white       | <b>Pin material:</b> POM grey        |



Version C

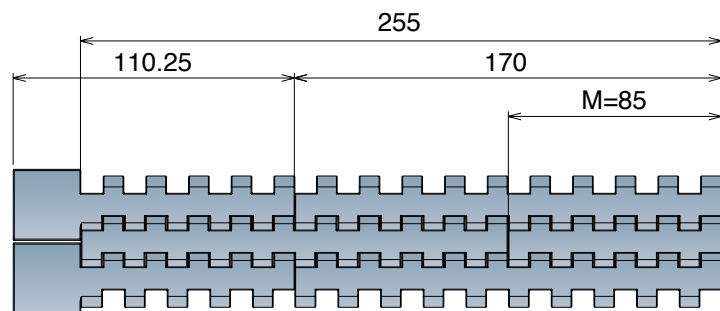


Version C

| Series | Material | Width | Version |
|--------|----------|-------|---------|
| 5256   | *        | 0085  | C       |

#### Max working load (N)

|       |      |
|-------|------|
| Width | 85   |
| LFA   | 1850 |
| MX    | 1500 |



Version CN - Near



Version CO - Opposite



Version CN - Near

| Series | Material | Width | Version |
|--------|----------|-------|---------|
| 5256   | *        | 0170  | CN      |
| 5256   | *        | 0255  | CN      |

Version CO - Opposite

| Series | Material | Width | Version |
|--------|----------|-------|---------|
| 5256   | *        | 0170  | CO      |
| 5256   | *        | 0255  | CO      |

## 525 HD FG Open Surface 35% Tappeto Modulare 525 HD Flush grid, H=8,7 M=85 Modular Belt Series 525 HD Flush grid, H=8,7 M=85 / Modulare Mattenkette 525 HD Flush grid, H=8,7 M=85




CODE STRUCTURE GUIDE (Example)

Backflex radius min.: 25 mm

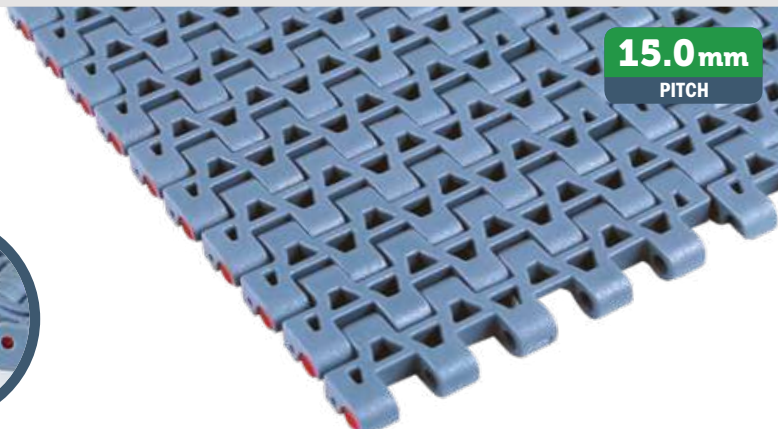
|             |           |             |          |
|-------------|-----------|-------------|----------|
| <b>5262</b> | <b>01</b> | <b>0085</b> | <b>A</b> |
| Series      | *Material | Width       | Version  |

**15.0mm**  
PITCH

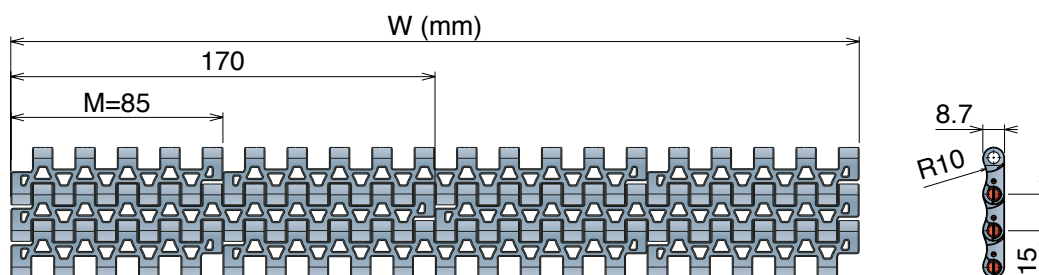
Metric Size

|   |   |   |
|---|---|---|
|  |  |  |
| pg. 317   | 273/277/280   | pg. 651->661  |

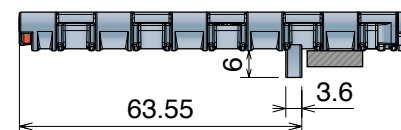
|                   |                    |
|-------------------|--------------------|
| <b>SAMPLE BOX</b> |                    |
| Art.-Nr.          | <b>5262018888A</b> |



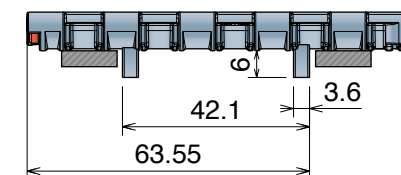
### Version A - Standard



### Version B - With 1 Positioner



### Version C - With 2 Positioners



#### \*Material

#### LFA - Code 01 Low friction Acetal

Easy Delivery

Max w. load: 25500 N/m  
Weight: 8,1 kg/m<sup>2</sup>  
Temp. range dry: -40+80 °C  
Temp. range wet: -40+65 °C  
Pin material: PBT white

#### MX - Code 03 Performance PBT

Max w. load: 20500 N/m  
Weight: 7,8 kg/m<sup>2</sup>  
Temp. range dry: -40+120 °C  
Temp. range wet: -40+60 °C  
Pin material: POM grey

#### LFB - Code 23 Low friction Acetal

Max w. load: 25500 N/m  
Weight: 8,1 kg/m<sup>2</sup>  
Temp. range dry: -40+80 °C  
Temp. range wet: -40+65 °C  
Pin material: PBT white

#### PFX - Code 30 Extra performance PBT

Max w. load: 20500 N/m  
Weight: 7,8 kg/m<sup>2</sup>  
Temp. range dry: -40+120 °C  
Temp. range wet: -40+60 °C  
Pin material: POM grey

**THE BEST CHOICE FOR  
DRY RUNNING APPLICATIONS**

### Version A - Standard

| Series | Material | Width | Version |
|--------|----------|-------|---------|
| 5262   | *        | 0085  | A       |
| 5262   | *        | 0170  | A       |
| 5262   | *        | 0255  | A       |
| 5262   | *        | 0340  | A       |
| 5262   | *        | 0425  | A       |
| 5262   | *        | 0510  | A       |
| 5262   | *        | 0595  | A       |
| 5262   | *        | 0680  | A       |
| 5262   | *        | 0765  | A       |
| 5262   | *        | 0850  | A       |
| 5262   | *        | 0935  | A       |
| 5262   | *        | 1020  | A       |
| 5262   | *        | 1105  | A       |
| 5262   | *        | 1190  | A       |
| 5262   | *        | 1275  | A       |
| 5262   | *        | 1360  | A       |
| 5262   | *        | 1445  | A       |
| 5262   | *        | 1530  | A       |

### Version B - With 1 Positioner

| Series | Material | Width | Version |
|--------|----------|-------|---------|
| 5262   | *        | 0085  | B       |
| 5262   | *        | 0170  | B       |
| 5262   | *        | 0255  | B       |
| 5262   | *        | 0340  | B       |
| 5262   | *        | 0425  | B       |
| 5262   | *        | 0510  | B       |
| 5262   | *        | 0595  | B       |
| 5262   | *        | 0680  | B       |
| 5262   | *        | 0765  | B       |
| 5262   | *        | 0850  | B       |
| 5262   | *        | 0935  | B       |
| 5262   | *        | 1020  | B       |
| 5262   | *        | 1105  | B       |
| 5262   | *        | 1190  | B       |
| 5262   | *        | 1275  | B       |
| 5262   | *        | 1360  | B       |
| 5262   | *        | 1445  | B       |
| 5262   | *        | 1530  | B       |

### Version C - With 2 Positioners

| Series | Material | Width | Version |
|--------|----------|-------|---------|
| 5262   | *        | 0085  | C       |
| 5262   | *        | 0170  | C       |
| 5262   | *        | 0255  | C       |
| 5262   | *        | 0340  | C       |
| 5262   | *        | 0425  | C       |
| 5262   | *        | 0510  | C       |
| 5262   | *        | 0595  | C       |
| 5262   | *        | 0680  | C       |
| 5262   | *        | 0765  | C       |
| 5262   | *        | 0850  | C       |
| 5262   | *        | 0935  | C       |
| 5262   | *        | 1020  | C       |
| 5262   | *        | 1105  | C       |
| 5262   | *        | 1190  | C       |
| 5262   | *        | 1275  | C       |
| 5262   | *        | 1360  | C       |
| 5262   | *        | 1445  | C       |
| 5262   | *        | 1530  | C       |

## 525 HD GT

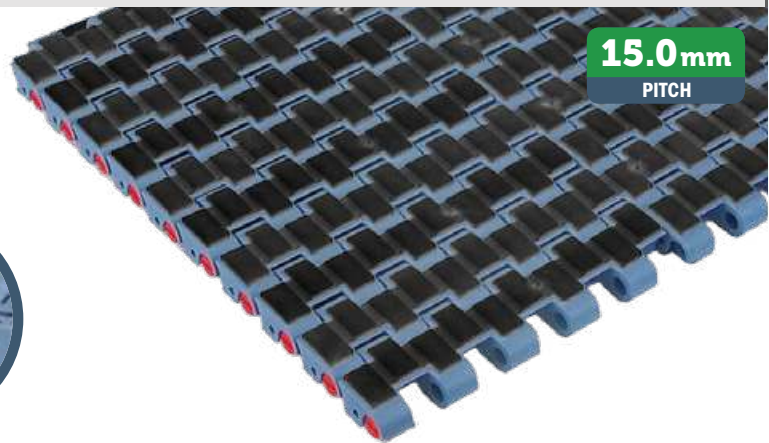
Tappeto Modulare 525 HD GT, H=8,7 M=85  
 Modular Belt Series 525 HD GT, H=8,7 M=85 / Modulare Mattenkette 525 HD GT, H=8,7 M=85

Metric Size

### CODE STRUCTURE GUIDE (Example)

Backflex radius min.: 25 mm

|             |           |             |          |
|-------------|-----------|-------------|----------|
| <b>5263</b> | <b>01</b> | <b>0085</b> | <b>A</b> |
| Series      | *Material | Width       | Version  |



|         |             |             |
|---------|-------------|-------------|
|         |             |             |
| pg. 317 | 273/277/280 | pg. 651>661 |

|                   |                    |
|-------------------|--------------------|
| <b>SAMPLE BOX</b> |                    |
| Art.-Nr.          | <b>5263018888A</b> |



### \*Material

**LFA - Code 01**  
 Low friction Acetal

Easy Delivery

Max w. load: 25500 N/m  
 Weight: 10,35 kg/m<sup>2</sup>  
 Temp. range dry: -40+80 °C  
 Temp. range wet: -40+65 °C  
 Pin material: PBT white  
 Top rubber: 50 ShA- Dark grey

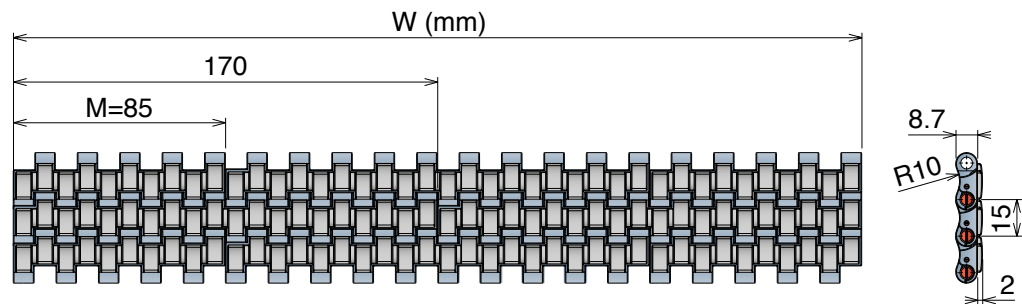
**PP - Code 02**  
 Polypropylene

Max w. load: 15500 N/m  
 Weight: 8,7 kg/m<sup>2</sup>  
 Temp. range dry: 4+80 °C  
 Temp. range wet: 4+80 °C  
 Pin material: PP blue  
 Top rubber: 50 ShA- Pigeon blue

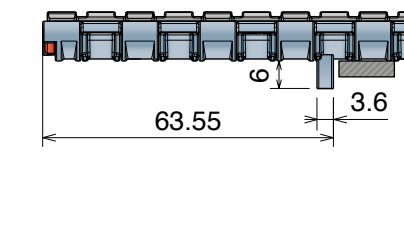
**MX - Code 03**  
 Performance PBT

Max w. load: 20500 N/m  
 Weight: 10,35 kg/m<sup>2</sup>  
 Temp. range dry: -40+120 °C  
 Temp. range wet: -40+60 °C  
 Pin material: POM grey  
 Top rubber: 50 ShA- Dark grey

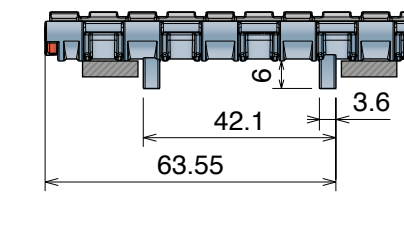
### Version A - Standard



### Version B - With 1 Positioner



### Version C - With 2 Positioners



### Version A - Standard

| Series | Material | Width | Version |
|--------|----------|-------|---------|
| 5263   | *        | 0085  | A       |
| 5263   | *        | 0170  | A       |
| 5263   | *        | 0255  | A       |
| 5263   | *        | 0340  | A       |
| 5263   | *        | 0425  | A       |
| 5263   | *        | 0510  | A       |
| 5263   | *        | 0595  | A       |
| 5263   | *        | 0680  | A       |
| 5263   | *        | 0765  | A       |
| 5263   | *        | 0850  | A       |
| 5263   | *        | 0935  | A       |
| 5263   | *        | 1020  | A       |
| 5263   | *        | 1105  | A       |
| 5263   | *        | 1190  | A       |
| 5263   | *        | 1275  | A       |
| 5263   | *        | 1360  | A       |
| 5263   | *        | 1445  | A       |
| 5263   | *        | 1530  | A       |

### Version B - With 1 Positioner

| Series | Material | Width | Version |
|--------|----------|-------|---------|
| 5263   | *        | 0085  | B       |
| 5263   | *        | 0170  | B       |
| 5263   | *        | 0255  | B       |
| 5263   | *        | 0340  | B       |
| 5263   | *        | 0425  | B       |
| 5263   | *        | 0510  | B       |
| 5263   | *        | 0595  | B       |
| 5263   | *        | 0680  | B       |
| 5263   | *        | 0765  | B       |
| 5263   | *        | 0850  | B       |
| 5263   | *        | 0935  | B       |
| 5263   | *        | 1020  | B       |
| 5263   | *        | 1105  | B       |
| 5263   | *        | 1190  | B       |
| 5263   | *        | 1275  | B       |
| 5263   | *        | 1360  | B       |
| 5263   | *        | 1445  | B       |
| 5263   | *        | 1530  | B       |

### Version C - With 2 Positioners

| Series | Material | Width | Version |
|--------|----------|-------|---------|
| 5263   | *        | 0085  | C       |
| 5263   | *        | 0170  | C       |
| 5263   | *        | 0255  | C       |
| 5263   | *        | 0340  | C       |
| 5263   | *        | 0425  | C       |
| 5263   | *        | 0510  | C       |
| 5263   | *        | 0595  | C       |
| 5263   | *        | 0680  | C       |
| 5263   | *        | 0765  | C       |
| 5263   | *        | 0850  | C       |
| 5263   | *        | 0935  | C       |
| 5263   | *        | 1020  | C       |
| 5263   | *        | 1105  | C       |
| 5263   | *        | 1190  | C       |
| 5263   | *        | 1275  | C       |
| 5263   | *        | 1360  | C       |
| 5263   | *        | 1445  | C       |
| 5263   | *        | 1530  | C       |

# 525 HD GT Side indent

Tappeti modulari / Modular belts / Mattenketten

Belts wider than standard are available with 85 mm increments

## 525 HD GT Side Indent

Tappeto Modulare 525 HD GT Side Indent, H=8,7 M=85  
 Modular Belt Series 525 HD GT Side Indent, H=8,7 M=85 / Modulare Mattenkette 525 HD GT Side Indent, H=8,7 M=85



CODE STRUCTURE GUIDE (Example)

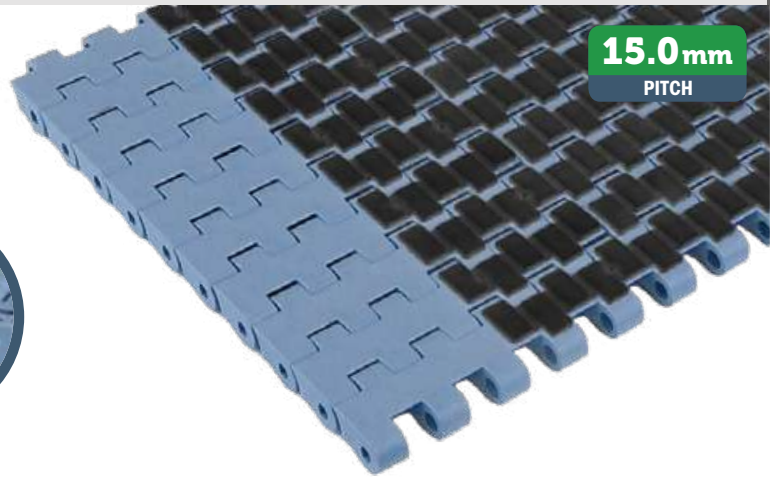
Backflex radius min.: 25 mm

|             |           |             |          |
|-------------|-----------|-------------|----------|
| <b>5265</b> | <b>01</b> | <b>0255</b> | <b>A</b> |
| Series      | *Material | Width       | Version  |

**15.0mm**  
PITCH

Metric Size

|   |   |   |
|---|---|---|
|  |  |  |
| pg. 317   | 273/277/280   | pg. 651->661  |



\*Material

### LFA - Code 01

Low friction Acetal

Easy Delivery

Max w. load: 25500 N/m  
 Weight: 10,35 kg/m<sup>2</sup>  
 Temp. range dry: -40÷80 °C  
 Temp. range wet: -40÷65 °C  
 Pin material: PBT white  
 Top rubber: 50 ShA- Dark grey

### PP - Code 02

Polypropylene

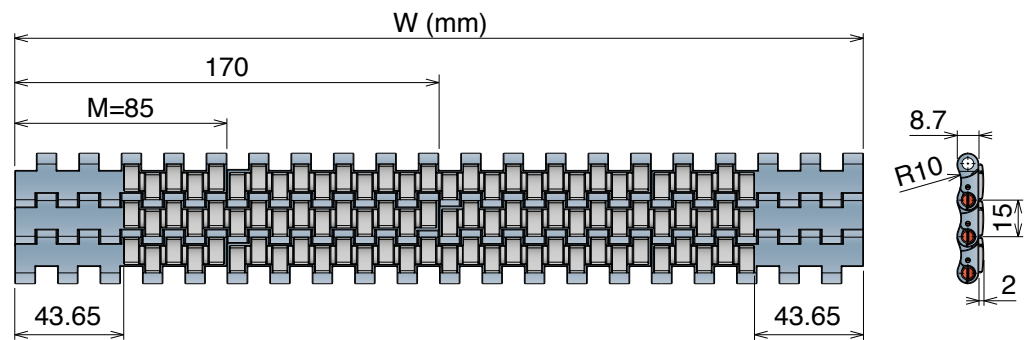
Max w. load: 15500 N/m  
 Weight: 8,7 kg/m<sup>2</sup>  
 Temp. range dry: 4÷80 °C  
 Temp. range wet: 4÷80 °C  
 Pin material: PP blue  
 Top rubber: 50 ShA- Pigeon blue

### MX - Code 03

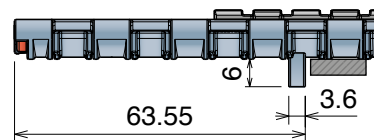
Performance PBT

Max w. load: 20500 N/m  
 Weight: 10,35 kg/m<sup>2</sup>  
 Temp. range dry: -40÷120 °C  
 Temp. range wet: -40÷60 °C  
 Pin material: POM grey  
 Top rubber: 50 ShA- Dark grey

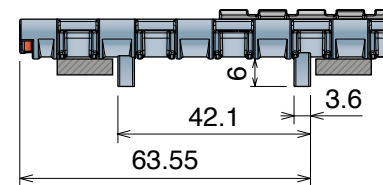
#### Version A - Standard



#### Version B - With 1 Positioner



#### Version C - With 2 Positioners



#### Version A - Standard

| Series | Material | Width | Version |
|--------|----------|-------|---------|
| 5265   | *        | 0255  | A       |
| 5265   | *        | 0340  | A       |
| 5265   | *        | 0425  | A       |
| 5265   | *        | 0510  | A       |
| 5265   | *        | 0595  | A       |
| 5265   | *        | 0680  | A       |
| 5265   | *        | 0765  | A       |
| 5265   | *        | 0850  | A       |
| 5265   | *        | 0935  | A       |
| 5265   | *        | 1020  | A       |
| 5265   | *        | 1105  | A       |
| 5265   | *        | 1190  | A       |
| 5265   | *        | 1275  | A       |
| 5265   | *        | 1360  | A       |
| 5265   | *        | 1445  | A       |
| 5265   | *        | 1530  | A       |

#### Version B - With 1 Positioner

| Series | Material | Width | Version |
|--------|----------|-------|---------|
| 5265   | *        | 0255  | B       |
| 5265   | *        | 0340  | B       |
| 5265   | *        | 0425  | B       |
| 5265   | *        | 0510  | B       |
| 5265   | *        | 0595  | B       |
| 5265   | *        | 0680  | B       |
| 5265   | *        | 0765  | B       |
| 5265   | *        | 0850  | B       |
| 5265   | *        | 0935  | B       |
| 5265   | *        | 1020  | B       |
| 5265   | *        | 1105  | B       |
| 5265   | *        | 1190  | B       |
| 5265   | *        | 1275  | B       |
| 5265   | *        | 1360  | B       |
| 5265   | *        | 1445  | B       |
| 5265   | *        | 1530  | B       |

#### Version C - With 2 Positioners

| Series | Material | Width | Version |
|--------|----------|-------|---------|
| 5265   | *        | 0255  | C       |
| 5265   | *        | 0340  | C       |
| 5265   | *        | 0425  | C       |
| 5265   | *        | 0510  | C       |
| 5265   | *        | 0595  | C       |
| 5265   | *        | 0680  | C       |
| 5265   | *        | 0765  | C       |
| 5265   | *        | 0850  | C       |
| 5265   | *        | 0935  | C       |
| 5265   | *        | 1020  | C       |
| 5265   | *        | 1105  | C       |
| 5265   | *        | 1190  | C       |
| 5265   | *        | 1275  | C       |
| 5265   | *        | 1360  | C       |
| 5265   | *        | 1445  | C       |
| 5265   | *        | 1530  | C       |

Tappeti modulari / Modular belts / Mattenketten

# 530

Pitch 15,0 mm

H= 8,7 mm



530 FT

530 FTT

530 GT

530 GT *Side indent*

530 LBP

530 PRO LBP

## 530 FT




Tappeto Modulare 530 FT, H=8,7 M=3"  
Modular Belt Series 530 FT, H=8,7 M=3" / Modulare Mattenkette 530 FT, H=8,7 M=3"

CODE STRUCTURE GUIDE (Example)

Backflex radius min.: 25 mm

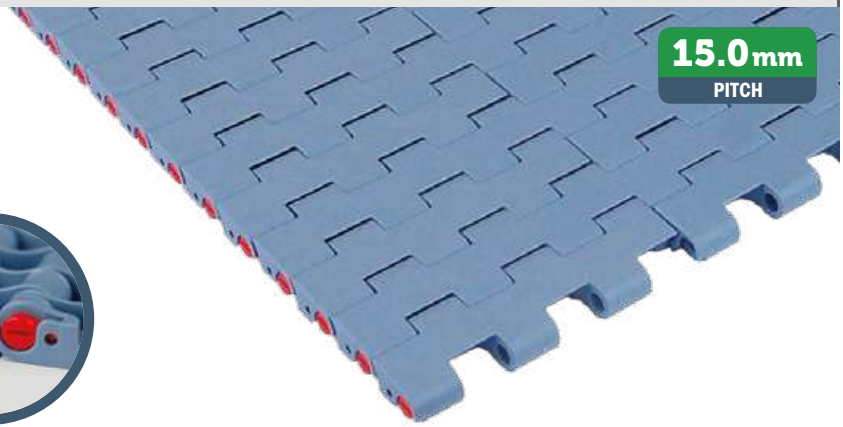
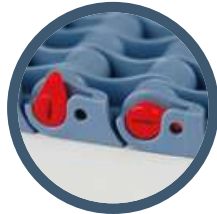
|             |           |             |          |
|-------------|-----------|-------------|----------|
| <b>5321</b> | <b>01</b> | <b>0003</b> | <b>A</b> |
| Series      | *Material | Width       | Version  |

**15.0mm**  
PITCH

|   |   |   |
|---|---|---|
|  |  |  |
| pg. 317   | 275/278/281   | pg. 651->661  |

### SAMPLE BOX

Art.-Nr. **5321018888A**



#### \*Material

#### LFA - Code 01

Low friction Acetal

Easy Delivery

Max w. load: 26000 N/m  
Weight: 9,2 kg/m<sup>2</sup>  
Temp. range dry: -40÷80 °C  
Temp. range wet: -40÷65 °C  
Pin material: PBT white

#### MX - Code 03

Performance PBT

Max w. load: 21000 N/m  
Weight: 9,0 kg/m<sup>2</sup>  
Temp. range dry: -40÷120 °C  
Temp. range wet: -40÷60 °C  
Pin material: POM grey

#### DKM - Code 16

Aramide Reinforced Acetal

Max w. load: 26000 N/m  
Weight: 9,2 kg/m<sup>2</sup>  
Temp. range dry: -40÷80 °C  
Temp. range wet: -40÷65 °C  
Pin material: PBT white

#### MWX - Code 17

Polyamide Composite

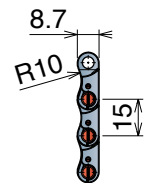
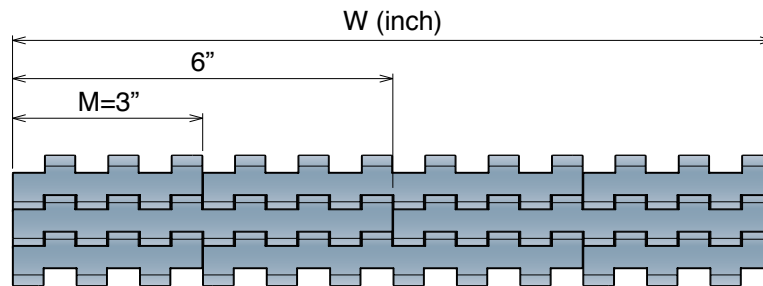
Max w. load: 26000 N/m  
Weight: 9,5 kg/m<sup>2</sup>  
Temp. range dry: -40÷104 °C  
Temp. range wet: NR  
Pin material: PBT white

#### MPX - Code 25

Lubricated Acetal

Max w. load: 26000 N/m  
Weight: 9,2 kg/m<sup>2</sup>  
Temp. range dry: -40÷80 °C  
Temp. range wet: -40÷65 °C  
Pin material: PBT white

#### Version A - Standard



#### Version A - Standard

| Series | Material | Width | Version |
|--------|----------|-------|---------|
| 5321   | *        | 0003  | A       |
| 5321   | *        | 0006  | A       |
| 5321   | *        | 0009  | A       |
| 5321   | *        | 0012  | A       |
| 5321   | *        | 0015  | A       |
| 5321   | *        | 0018  | A       |
| 5321   | *        | 0021  | A       |
| 5321   | *        | 0024  | A       |
| 5321   | *        | 0027  | A       |
| 5321   | *        | 0030  | A       |
| 5321   | *        | 0033  | A       |
| 5321   | *        | 0036  | A       |
| 5321   | *        | 0039  | A       |
| 5321   | *        | 0042  | A       |
| 5321   | *        | 0045  | A       |
| 5321   | *        | 0048  | A       |
| 5321   | *        | 0051  | A       |
| 5321   | *        | 0054  | A       |



## 530 FTT

Tappeto Modulare 530 FTT, H=8,7 M=3"  
 Modular Belt Series 530 FTT, H=8,7 M=3" / Modulare Mattenkette 530 FTT, H=8,7 M=3"

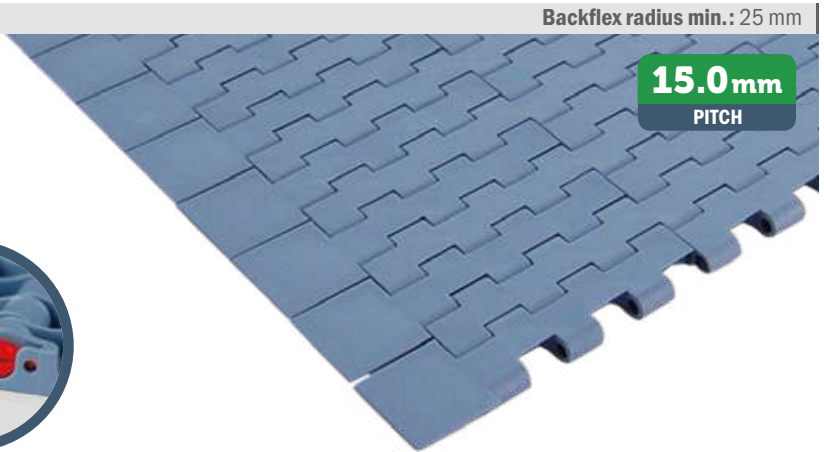
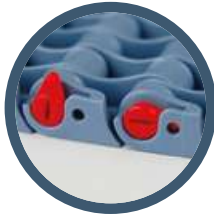
Imperial Size

| CODE STRUCTURE GUIDE (Example) |           |             |          |
|--------------------------------|-----------|-------------|----------|
| <b>5326</b>                    | <b>01</b> | <b>0003</b> | <b>A</b> |
| Series                         | *Material | Width       | Version  |

Backflex radius min.: 25 mm

**15.0mm**  
PITCH

|         |             |             |
|---------|-------------|-------------|
|         |             |             |
| pg. 317 | 275/278/281 | pg. 651>661 |



### \*Material

#### LFA - Code 01

Low friction Acetal

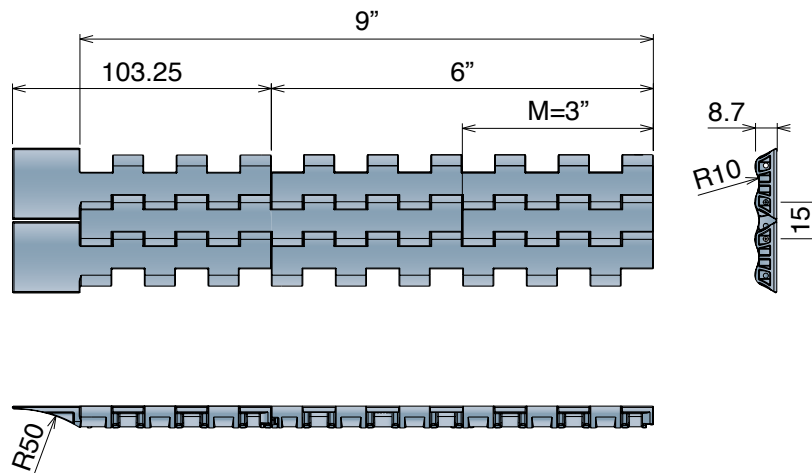
Max w. load: 26000 N/m  
 Weight: 9,2 kg/m<sup>2</sup>  
 Temp. range dry: -40÷80 °C  
 Temp. range wet: -40÷65 °C  
 Pin material: PBT white

#### MX - Code 03

Performance PBT

Max w. load: 21000 N/m  
 Weight: 9,0 kg/m<sup>2</sup>  
 Temp. range dry: -40÷120 °C  
 Temp. range wet: -40÷60 °C  
 Pin material: POM grey

### Version A - Standard



### Version A - Standard

| Series | Material | Width | Version |
|--------|----------|-------|---------|
| 5326   | *        | 0003  | A       |
| 5326   | *        | 0006  | A       |
| 5326   | *        | 0009  | A       |




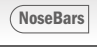

## 530 GT

Tappeto Modulare 530 GT, H=8,7 M=3"  
Modular Belt Series 530 GT, H=8,7 M=3" / Modulare Mattenkette 530 GT, H=8,7 M=3"

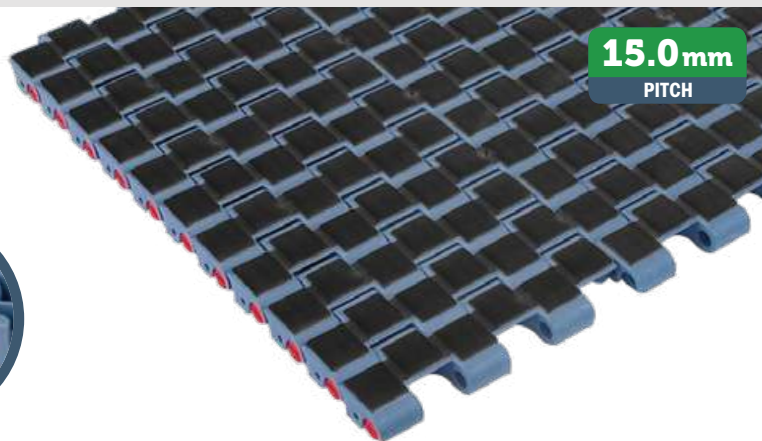
CODE STRUCTURE GUIDE (Example)

Backflex radius min.: 30 mm

|             |           |             |          |
|-------------|-----------|-------------|----------|
| <b>5323</b> | <b>01</b> | <b>0003</b> | <b>A</b> |
| Series      | *Material | Width       | Version  |

|   |   |   |
|---|---|---|
|  |  |  |
| pg. 317   | 275/278/281   | pg. 651->661  |

|            |                    |
|------------|--------------------|
| SAMPLE BOX |                    |
| Art.-Nr.   | <b>5323018888A</b> |



### \*Material

**LFA - Code 01**  
Low friction Acetal

Easy Delivery

Max w. load: 26000 N/m  
Weight: 10,6 kg/m<sup>2</sup>  
Temp. range dry: -40+80 °C  
Temp. range wet: -40+65 °C  
Pin material: PBT white  
Top rubber: 50 ShA-Dark grey

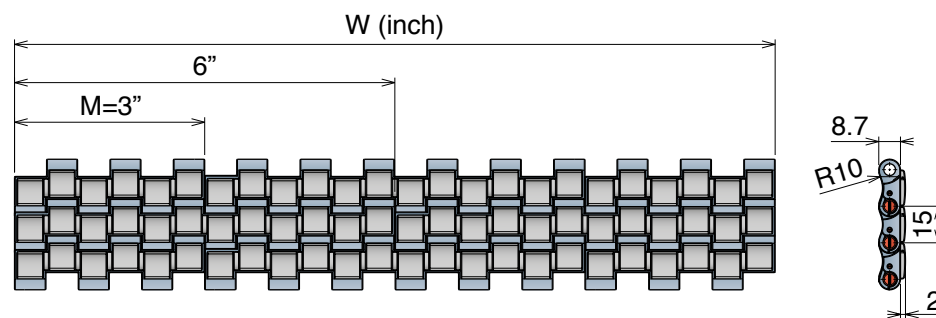
**PP - Code 02**  
Polypropylene

Max w. load: 16000 N/m  
Weight: 9,0 kg/m<sup>2</sup>  
Temp. range dry: 4+80 °C  
Temp. range wet: 4+80 °C  
Pin material: PP blue  
Top rubber: 50 ShA-Pigeon blue

**MX - Code 03**  
Performance PBT

Max w. load: 21000 N/m  
Weight: 10,6 kg/m<sup>2</sup>  
Temp. range dry: -40+120 °C  
Temp. range wet: -40+60 °C  
Pin material: POM grey  
Top rubber: 50 ShA-Dark grey

### Version A - Standard



### Version A - Standard

| Series | Material | Width | Version |
|--------|----------|-------|---------|
| 5323   | *        | 0003  | A       |
| 5323   | *        | 0006  | A       |
| 5323   | *        | 0009  | A       |
| 5323   | *        | 0012  | A       |
| 5323   | *        | 0015  | A       |
| 5323   | *        | 0018  | A       |
| 5323   | *        | 0021  | A       |
| 5323   | *        | 0024  | A       |
| 5323   | *        | 0027  | A       |
| 5323   | *        | 0030  | A       |
| 5323   | *        | 0033  | A       |
| 5323   | *        | 0036  | A       |
| 5323   | *        | 0039  | A       |
| 5323   | *        | 0042  | A       |
| 5323   | *        | 0045  | A       |
| 5323   | *        | 0048  | A       |
| 5323   | *        | 0051  | A       |
| 5323   | *        | 0054  | A       |

## 530 GT Side indent Tappeto Modulare 530 GT, H=8,7 M=3"

Modular Belt Series 530 GT, H=8,7 M=3" / Modulare Mattenkette 530 GT, H=8,7 M=3"

Imperial Size

| CODE STRUCTURE GUIDE (Example) |           |             |          | Backflex radius min.: 30 mm |
|--------------------------------|-----------|-------------|----------|-----------------------------|
| <b>5325</b>                    | <b>01</b> | <b>0009</b> | <b>A</b> | <b>15.0mm</b><br>PITCH      |
| Series                         | *Material | Width       | Version  |                             |

|         |             |             |
|---------|-------------|-------------|
|         |             |             |
| pg. 317 | 275/278/281 | pg. 651>661 |

**\*Material**

**LFA - Code 01**  
Low friction Acetal

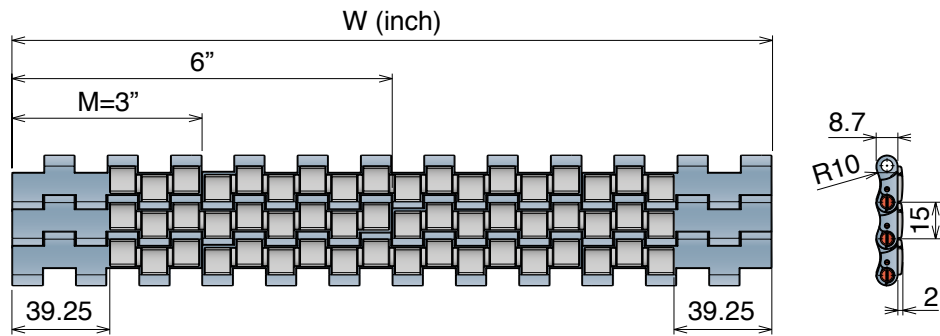
**Easy Delivery**

**Max w. load:** 26000 N/m  
**Weight:** 10,6 kg/m<sup>2</sup>  
**Temp. range dry:** -40÷80 °C  
**Temp. range wet:** -40÷65 °C  
**Pin material:** PBT white  
**Top rubber:** 50 ShA-Dark grey

**PP - Code 02**  
Polypropylene

**Max w. load:** 16000 N/m  
**Weight:** 9,0 kg/m<sup>2</sup>  
**Temp. range dry:** 4÷80 °C  
**Temp. range wet:** 4÷80 °C  
**Pin material:** PP blue  
**Top rubber:** 50 ShA-Pigeon blue

### Version A - Standard



**MX - Code 03**  
Performance PBT

**Max w. load:** 21000 N/m  
**Weight:** 10,6 kg/m<sup>2</sup>  
**Temp. range dry:** -40÷120 °C  
**Temp. range wet:** -40÷60 °C  
**Pin material:** POM grey  
**Top rubber:** 50 ShA-Dark grey

### Version A - Standard

| Series | Material | Width | Version |
|--------|----------|-------|---------|
| 5325   | *        | 0009  | A       |
| 5325   | *        | 0012  | A       |
| 5325   | *        | 0015  | A       |
| 5325   | *        | 0018  | A       |
| 5325   | *        | 0021  | A       |
| 5325   | *        | 0024  | A       |
| 5325   | *        | 0027  | A       |
| 5325   | *        | 0030  | A       |
| 5325   | *        | 0033  | A       |
| 5325   | *        | 0036  | A       |
| 5325   | *        | 0039  | A       |
| 5325   | *        | 0042  | A       |
| 5325   | *        | 0045  | A       |
| 5325   | *        | 0048  | A       |
| 5325   | *        | 0051  | A       |
| 5325   | *        | 0054  | A       |

# 530 LBP

Tappeti modulari / Modular belts / Mattenketten

Belts wider than standard are available with 6 inch increments

Imperial Size




## 530 LBP

Tappeto Modulare 530 LBP, H=8,7 M=3"  
Modular Belt Series 530 LBP, H=8,7 M=3" / Modulare Mattenkette 530 LBP, H=8,7 M=3"

CODE STRUCTURE GUIDE (Example)

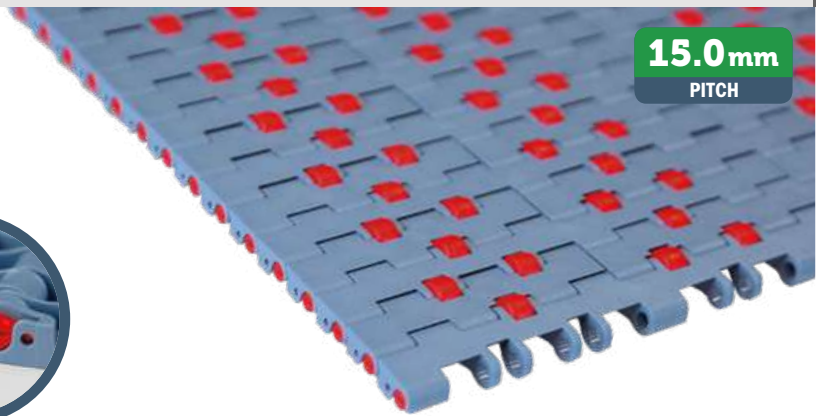
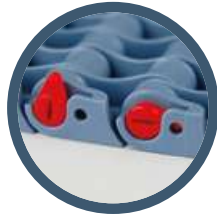
Backflex radius min.: 25 mm

|             |           |             |          |
|-------------|-----------|-------------|----------|
| <b>5324</b> | <b>01</b> | <b>0006</b> | <b>A</b> |
| Series      | *Material | Width       | Version  |

|   |   |   |
|---|---|---|
|  |  |  |
| pg. 317   | pg. 275/279   | pg. 651->661  |

SAMPLE BOX

Art.-Nr. **5324018888A**



**15.0mm**  
PITCH

Material

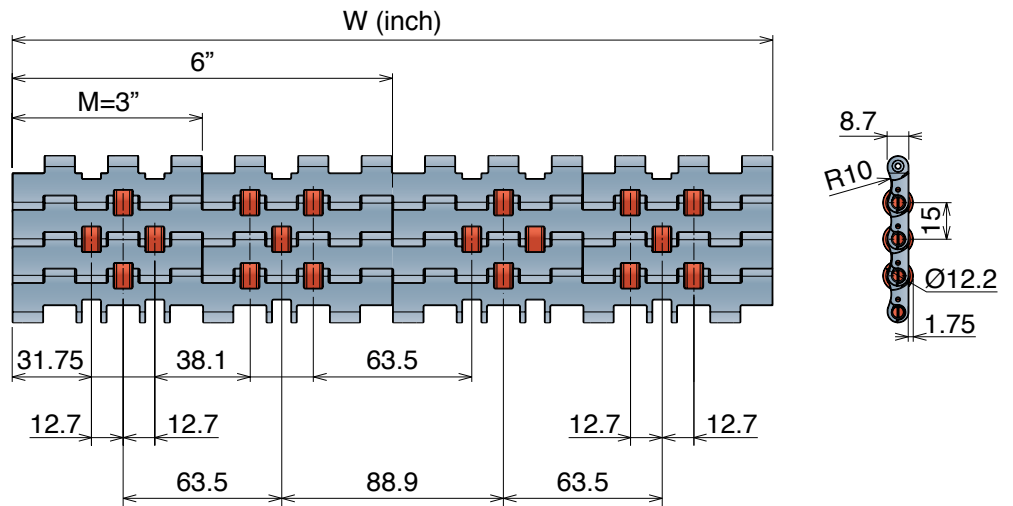
**LFA - Code 01**  
Low friction Acetal

Max w. load: 24000 N/m  
Weight: 9,0 kg/m<sup>2</sup>  
Temp. range dry: -40+80 °C  
Temp. range dry: -40+65 °C  
Pin material: PBT white

**POM Roller**

Density: 700 rollers/m<sup>2</sup>

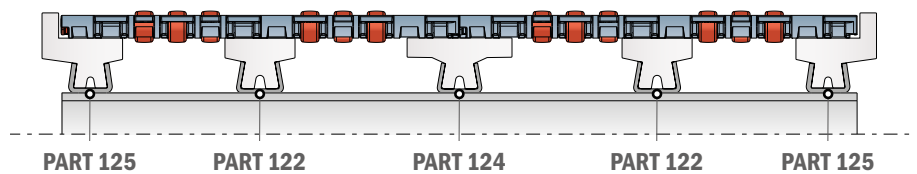
Version A - Standard



Version A - Standard

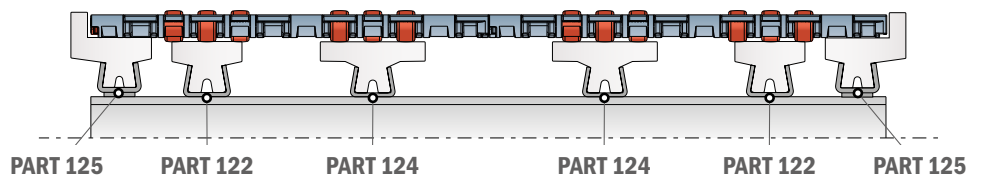
| Series | Material | Width | Version |
|--------|----------|-------|---------|
| 5324   | 01       | 0006  | A       |
| 5324   | 01       | 0012  | A       |
| 5324   | 01       | 0018  | A       |
| 5324   | 01       | 0024  | A       |
| 5324   | 01       | 0030  | A       |
| 5324   | 01       | 0036  | A       |
| 5324   | 01       | 0042  | A       |
| 5324   | 01       | 0048  | A       |
| 5324   | 01       | 0054  | A       |

Guide position for accumulation system - Example



For accumulation system, please place the wear strips between the rollers (max 50 mm).

Guide position for driven rollers, for alignment/distribution system - Example



For driven rollers, please place the wear strips directly in contact under the rollers.

530 LBP can also be used with standard profiles: consult extruded profiles section for more details.

Tappeti modulari / Modular belts / Mattenketten

**PATENTED**

Belts wider than standard are available with 3 inch increments

## NEW 530 PRO LBP

Tappeto Modulare 530 PRO LBP, H=8,7 M=3"  
Modular Belt Series 530 PRO LBP, H=8,7 M=3" / Modulare Mattenkette 530 PRO LBP, H=8,7 M=3"

Imperial Size

### CODE STRUCTURE GUIDE (Example)

|             |           |             |          |
|-------------|-----------|-------------|----------|
| <b>5237</b> | <b>01</b> | <b>0006</b> | <b>A</b> |
| Series      | *Material | Width       | Version  |

Backflex radius min.: 25 mm

**15.0mm**  
PITCH

|         |             |             |
|---------|-------------|-------------|
|         |             |             |
| pg. 317 | pg. 276/279 | pg. 651>661 |

| SAMPLE BOX |                    |
|------------|--------------------|
| Art.-Nr.   | <b>5237018888A</b> |



- Easier installation
- Quicker maintenance
- High strength

### Material

#### LFA - Code 01

Low friction Acetal

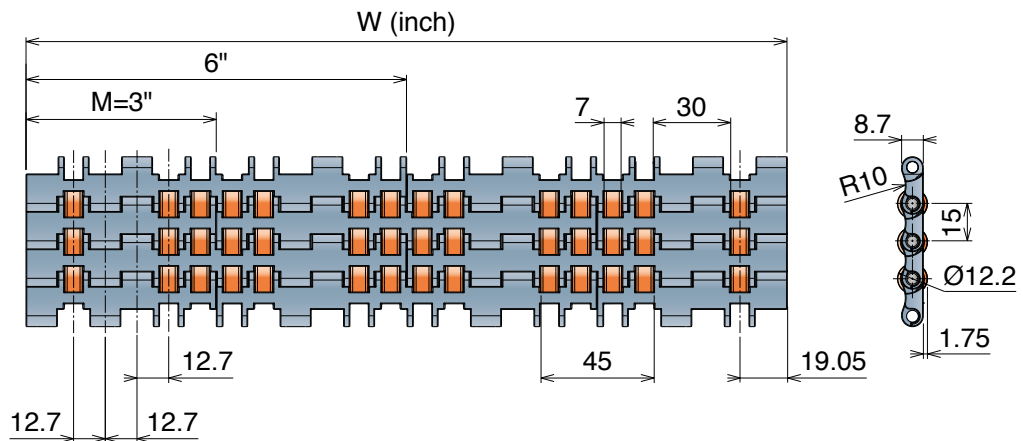
Max w. load: 21000 N/m  
Weight: 10,0 kg/m<sup>2</sup>  
Temp. range dry: -40+80 °C  
Temp. range wet: -40+65 °C  
Pin material: PBT white

#### PFX Roller

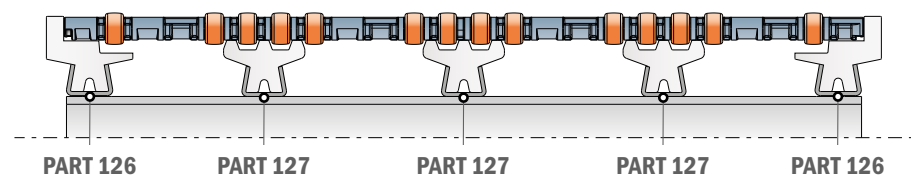
Density: 3.400 rollers/m<sup>2</sup>

**THE BEST CHOICE TO REACH  
THE LOWEST FRICTION**

### Version A - Standard

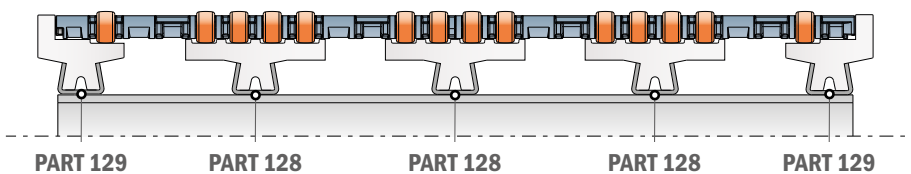


### Guide position for accumulation system - Example



For accumulation system, please place the wear strips between the rollers (max 25 mm).

### Guide position for driven rollers, for alignment/distribution system - Example

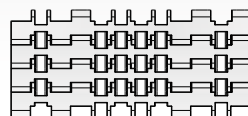


For driven rollers, please place the wear strips directly in contact under the rollers.

530 PRO LBP can also be used with standard profiles: consult extruded profiles section for more details.

### Version A - Standard

| Series | Material | Width | Version |
|--------|----------|-------|---------|
| 5237   | 01       | 0006  | A       |
| 5237   | 01       | 0009  | A       |
| 5237   | 01       | 0012  | A       |
| 5237   | 01       | 0015  | A       |
| 5237   | 01       | 0018  | A       |
| 5237   | 01       | 0021  | A       |
| 5237   | 01       | 0024  | A       |
| 5237   | 01       | 0027  | A       |
| 5237   | 01       | 0030  | A       |
| 5237   | 01       | 0033  | A       |
| 5237   | 01       | 0036  | A       |
| 5237   | 01       | 0039  | A       |
| 5237   | 01       | 0042  | A       |
| 5237   | 01       | 0045  | A       |
| 5237   | 01       | 0048  | A       |
| 5237   | 01       | 0051  | A       |
| 5237   | 01       | 0054  | A       |



Rollers configuration for 530 PRO LBP, 6 inch wide belt.

# 550

Pitch 25,4 mm  
H= 8,7 mm



550 FT  
550 FT *One track Belt*  
550 FTT  
550 FG  
550 FG *One track Belt*  
550 GT

550 GT *Side indent*  
550 FLIGHT TOP  
550 PRO FT  
550 PRO M

# 550 FT

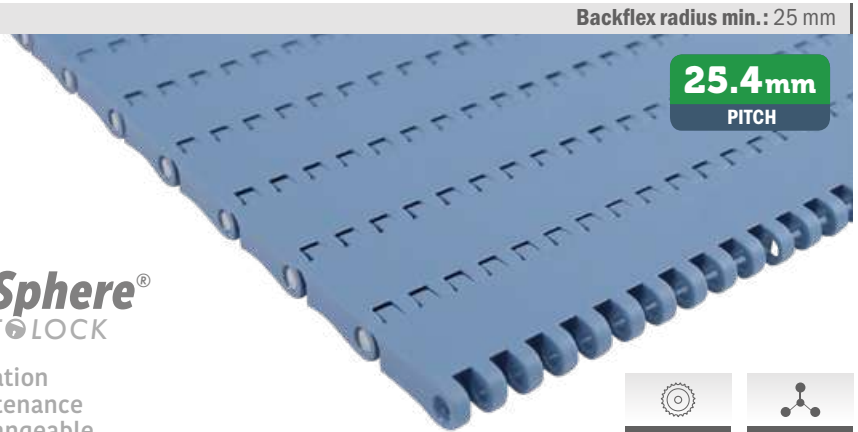
Tappeto Modulare 550 FT, H=8,7 M=85  
 Modular Belt Series 550 FT, H=8,7 M=85 / Modulare Mattenkette 550 FT, H=8,7 M=85

Metric Size

| CODE STRUCTURE GUIDE (Example) |           |       |         |
|--------------------------------|-----------|-------|---------|
| 5501                           | 01        | 0085  | A       |
| Series                         | *Material | Width | Version |

Backflex radius min.: 25 mm

**25.4mm**  
PITCH



- Easier installation
- Quicker maintenance
- 100% interchangeable

|             |             |
|-------------|-------------|
|             |             |
| pg. 319/320 | pg. 651→661 |

| SAMPLE BOX |                    |
|------------|--------------------|
| Art.-Nr.   | <b>5501018888A</b> |

**\*Material**

**LFA - Code 01**  
*Low friction Acetal*  
 Easy Delivery

Max w. load: 30000 N/m  
 Weight: 8,5 kg/m<sup>2</sup>  
 Temp. range dry: -40÷80 °C  
 Temp. range wet: -40÷65 °C  
 Pin material: PBT white

**PP - Code 02**  
*Polypropylene*

Max w. load: 18000 N/m  
 Weight: 8,4 kg/m<sup>2</sup>  
 Temp. range dry: 4÷104 °C  
 Temp. range wet: 4÷104 °C  
 Pin material: PP blue

**MX - Code 03**  
*Performance PBT*

Max w. load: 24000 N/m  
 Weight: 8,2 kg/m<sup>2</sup>  
 Temp. range dry: -40÷120 °C  
 Temp. range wet: -40÷60 °C  
 Pin material: POM grey

**LFW - Code 05**  
*Low friction Acetal*

Max w. load: 30000 N/m  
 Weight: 8,5 kg/m<sup>2</sup>  
 Temp. range dry: -40÷80 °C  
 Temp. range wet: -40÷65 °C  
 Pin material: PBT white

**DKM - Code 16**  
*Aramide Reinforced Acetal*

Max w. load: 30000 N/m  
 Weight: 8,5 kg/m<sup>2</sup>  
 Temp. range dry: -40÷80 °C  
 Temp. range wet: -40÷65 °C  
 Pin material: PBT white

**MWX - Code 17**  
*Polyamide Composite*

Max w. load: 30000 N/m  
 Weight: 8,9 kg/m<sup>2</sup>  
 Temp. range dry: -40÷104 °C  
 Temp. range wet: NR  
 Pin material: PBT white

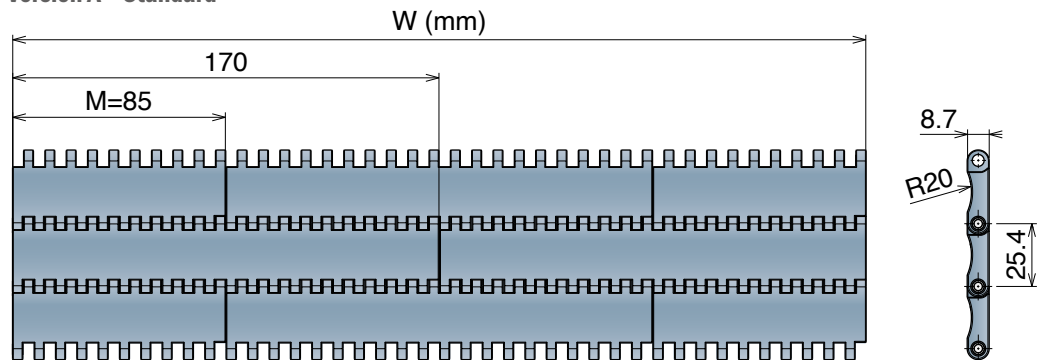
**LFB - Code 23**  
*Low friction Acetal*

Max w. load: 30000 N/m  
 Weight: 8,5 kg/m<sup>2</sup>  
 Temp. range dry: -40÷80 °C  
 Temp. range wet: -40÷65 °C  
 Pin material: PBT white

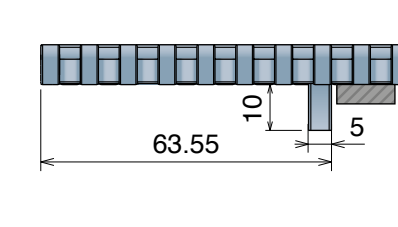
**PFX - Code 30**  
*Extra performance PBT*

Max w. load: 24000 N/m  
 Weight: 8,2 kg/m<sup>2</sup>  
 Temp. range dry: -40÷120 °C  
 Temp. range wet: -40÷60 °C  
 Pin material: POM grey

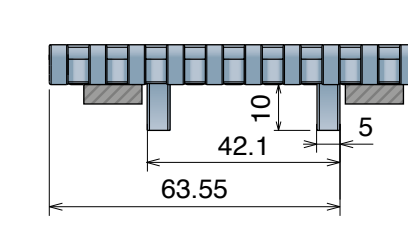
**Version A - Standard**



**Version B - With 1 Positioner**



**Version C - With 2 Positioner**



**Version A - Standard**

| Series | Material | Width | Version |
|--------|----------|-------|---------|
| 5501   | *        | 0085  | A       |
| 5501   | *        | 0170  | A       |
| 5501   | *        | 0255  | A       |
| 5501   | *        | 0340  | A       |
| 5501   | *        | 0425  | A       |
| 5501   | *        | 0510  | A       |
| 5501   | *        | 0595  | A       |
| 5501   | *        | 0680  | A       |
| 5501   | *        | 0765  | A       |
| 5501   | *        | 0850  | A       |
| 5501   | *        | 0935  | A       |
| 5501   | *        | 1020  | A       |
| 5501   | *        | 1105  | A       |
| 5501   | *        | 1190  | A       |
| 5501   | *        | 1275  | A       |
| 5501   | *        | 1360  | A       |
| 5501   | *        | 1445  | A       |
| 5501   | *        | 1530  | A       |

**Version B - With 1 Positioner**

| Series | Material | Width | Version |
|--------|----------|-------|---------|
| 5501   | *        | 0085  | B       |
| 5501   | *        | 0170  | B       |
| 5501   | *        | 0255  | B       |
| 5501   | *        | 0340  | B       |
| 5501   | *        | 0425  | B       |
| 5501   | *        | 0510  | B       |
| 5501   | *        | 0595  | B       |
| 5501   | *        | 0680  | B       |
| 5501   | *        | 0765  | B       |
| 5501   | *        | 0850  | B       |
| 5501   | *        | 0935  | B       |
| 5501   | *        | 1020  | B       |
| 5501   | *        | 1105  | B       |
| 5501   | *        | 1190  | B       |
| 5501   | *        | 1275  | B       |
| 5501   | *        | 1360  | B       |
| 5501   | *        | 1445  | B       |
| 5501   | *        | 1530  | B       |

**Version C - With 2 Positioners**

| Series | Material | Width | Version |
|--------|----------|-------|---------|
| 5501   | *        | 0085  | C       |
| 5501   | *        | 0170  | C       |
| 5501   | *        | 0255  | C       |
| 5501   | *        | 0340  | C       |
| 5501   | *        | 0425  | C       |
| 5501   | *        | 0510  | C       |
| 5501   | *        | 0595  | C       |
| 5501   | *        | 0680  | C       |
| 5501   | *        | 0765  | C       |
| 5501   | *        | 0850  | C       |
| 5501   | *        | 0935  | C       |
| 5501   | *        | 1020  | C       |
| 5501   | *        | 1105  | C       |
| 5501   | *        | 1190  | C       |
| 5501   | *        | 1275  | C       |
| 5501   | *        | 1360  | C       |
| 5501   | *        | 1445  | C       |
| 5501   | *        | 1530  | C       |

# 550 FT One track Belt

Tappeti modulari / Modular belts / Mattenketten

PATENTED

Metric Size

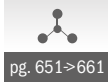
## 550 FT One track Belt Tappeto Modulare 550 FT, H=8,7 K330 Modular Belt Series 550 FT, H=8,7 K330 / Modulare Mattenkette 550 FT, H=8,7 K330

CODE STRUCTURE GUIDE (Example)

Backflex radius min.: 25 mm

|             |           |             |          |
|-------------|-----------|-------------|----------|
| <b>5221</b> | <b>01</b> | <b>9330</b> | <b>A</b> |
| Series      | *Material | Width       | Version  |

**25.4mm**  
PITCH



pg. 319/320

pg. 651>661

\*Material

### LFA - Code 01

Low friction Acetal

Easy Delivery

Max w. load: 2500 N  
Weight: 8,5 kg/m<sup>2</sup>  
Temp. range dry: -40÷80 °C  
Temp. range wet: -40÷65 °C  
Pin material: PBT white

### PP - Code 02

Polypropylene

Max w. load: 1500 N  
Weight: 8,4 kg/m<sup>2</sup>  
Temp. range dry: 4÷104 °C  
Temp. range wet: 4÷104 °C  
Pin material: PP blue

### MX - Code 03

Performance PBT

Max w. load: 2000 N  
Weight: 8,2 kg/m<sup>2</sup>  
Temp. range dry: -40÷120 °C  
Temp. range wet: -40÷60 °C  
Pin material: POM grey

### DKM - Code 16

Aramid Reinforced Acetal

Max w. load: 2500 N  
Weight: 8,5 kg/m<sup>2</sup>  
Temp. range dry: -40÷80 °C  
Temp. range wet: -40÷65 °C  
Pin material: PBT white

### MWX - Code 17

Polyamide Composite

Max w. load: 2500 N  
Weight: 8,9 kg/m<sup>2</sup>  
Temp. range dry: -40÷104 °C  
Temp. range wet: NR  
Pin material: PBT white

### LFB - Code 23

Low friction Acetal

Max w. load: 2500 N  
Weight: 8,5 kg/m<sup>2</sup>  
Temp. range dry: -40÷80 °C  
Temp. range wet: -40÷65 °C  
Pin material: PBT white

### PFX - Code 30

Extra performance PBT

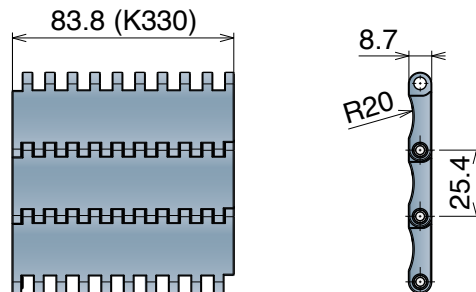
Max w. load: 2000 N  
Weight: 8,2 kg/m<sup>2</sup>  
Temp. range dry: -40÷120 °C  
Temp. range wet: -40÷60 °C  
Pin material: POM grey

**THE BEST CHOICE FOR  
DRY RUNNING APPLICATIONS**



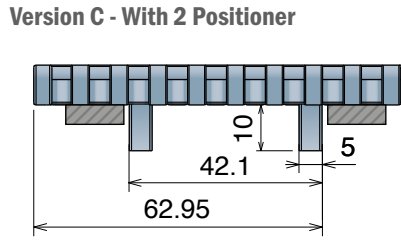
- Easier installation
- Quicker maintenance
- 10% Higher strength

#### Version A - Standard



| Series | Material | Width | Version |
|--------|----------|-------|---------|
| 5221   | *        | 9330  | A       |

#### Version C - With 2 Positioner



| Series | Material | Width | Version |
|--------|----------|-------|---------|
| 5221   | *        | 9330  | C       |

#### Disassembling / Assembling mode



NEW

### 550 FT one track belt MOVEX TOOL

The specific tool for belts developed to facilitate belt assembly and disassembly.



Article Nr. **29970**

Movex tools are made with 3D printer, the color may vary due to availability of the material.

**Movex**



## 550 FTT

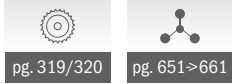
Tappeto Modulare 550 FTT, H=8,7 M=85  
 Modular Belt Series 550 FTT, H=8,7 M=85 / Modulare Mattenkette 550 FTT, H=8,7 M=85

Metric Size

| CODE STRUCTURE GUIDE (Example) |           |       |         |
|--------------------------------|-----------|-------|---------|
| 5506                           | 01        | 0085  | C       |
| Series                         | *Material | Width | Version |

Backflex radius min.: 25 mm

**25.4mm**  
PITCH



pg. 319/320

pg. 651>661

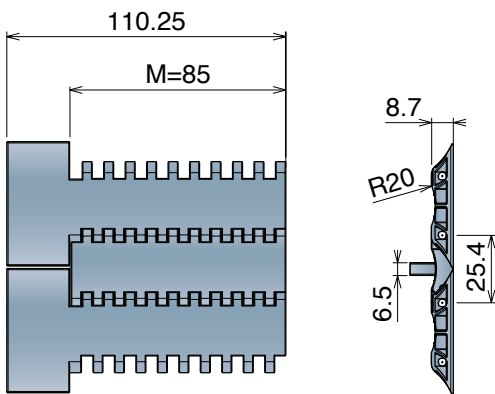
\*Material

| LFA - Code 01       | MX - Code 03    |
|---------------------|-----------------|
| Low friction Acetal | Performance PBT |

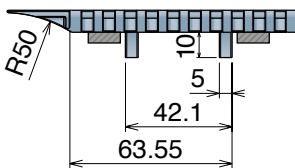
|                                      |                                      |
|--------------------------------------|--------------------------------------|
| <b>Max w. load:</b> 30000 N/m        | <b>Max w. load:</b> 24000 N/m        |
| <b>Weight:</b> 8,5 kg/m <sup>2</sup> | <b>Weight:</b> 8,2 kg/m <sup>2</sup> |
| <b>Temp. range dry:</b> -40÷80 °C    | <b>Temp. range dry:</b> -40÷120 °C   |
| <b>Temp. range wet:</b> -40÷65 °C    | <b>Temp. range wet:</b> -40÷60 °C    |
| <b>Pin material:</b> PBT white       | <b>Pin material:</b> POM grey        |



- Easier installation
- Quicker maintenance
- 100% interchangeable



Version C

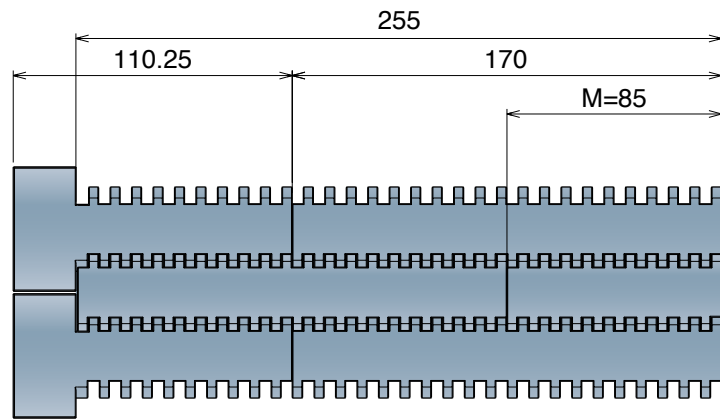


Version C

| Series | Material | Width | Version |
|--------|----------|-------|---------|
| 5506   | *        | 0085  | C       |

Max working load (N)

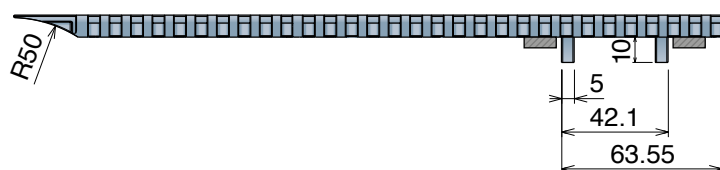
|       |      |
|-------|------|
| Width | 85   |
| LFA   | 2300 |
| MX    | 1850 |



Version CN - Near



Version CO - Opposite



Version CN - Near

| Series | Material | Width | Version |
|--------|----------|-------|---------|
| 5506   | *        | 0170  | CN      |
| 5506   | *        | 0255  | CN      |

Version CO - Opposite

| Series | Material | Width | Version |
|--------|----------|-------|---------|
| 5506   | *        | 0170  | CO      |
| 5506   | *        | 0255  | CO      |

## 550 FG Open Surface 25% Tappeto Modulare 550 FG, H=8,7 M=85 Modular Belt Series 550 FG, H=8,7 M=85 / Modulare Mattenkette 550 FG, H=8,7 M=85

CODE STRUCTURE GUIDE (Example)

Backflex radius min.: 25 mm

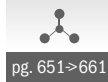
|             |           |             |          |
|-------------|-----------|-------------|----------|
| <b>5222</b> | <b>01</b> | <b>0085</b> | <b>A</b> |
| Series      | *Material | Width       | Version  |

**25.4mm**  
PITCH

Metric Size



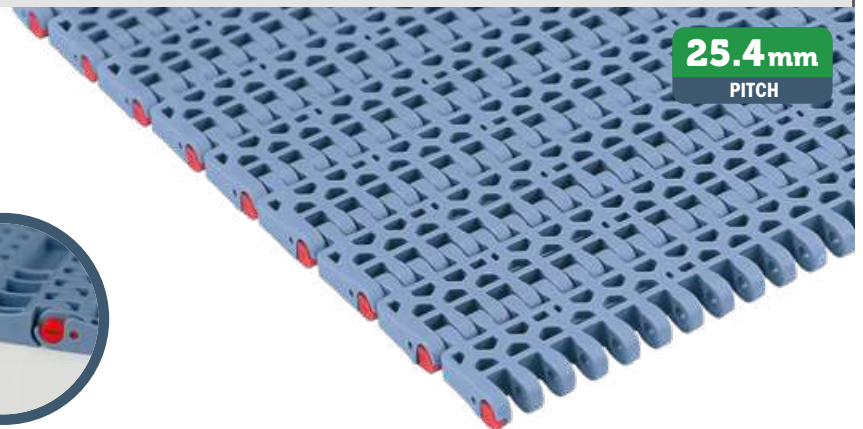
pg. 319/320



pg. 651>661

SAMPLE BOX

Art.-Nr. **5222018888A**



\*Material

**LFA - Code 01**

Low friction Acetal

Easy Delivery

Max w. load: 27500 N/m  
Weight: 7,0 kg/m<sup>2</sup>  
Temp. range dry: -40+80 °C  
Temp. range wet: -40+65 °C  
Pin material: PBT white

**MX - Code 03**

Performance PBT

Max w. load: 22000 N/m  
Weight: 6,7 kg/m<sup>2</sup>  
Temp. range dry: -40+120 °C  
Temp. range wet: -40+60 °C  
Pin material: POM grey

**LFB - Code 23**

Low friction Acetal

Max w. load: 27500 N/m  
Weight: 7,0 kg/m<sup>2</sup>  
Temp. range dry: -40+80 °C  
Temp. range wet: -40+65 °C  
Pin material: PBT white

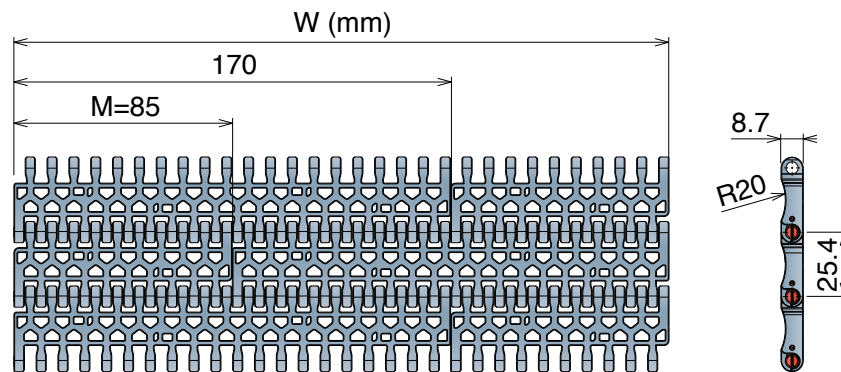
**PFX - Code 30**

Extra performance PBT

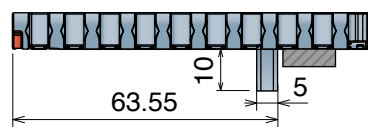
Max w. load: 22000 N/m  
Weight: 6,7 kg/m<sup>2</sup>  
Temp. range dry: -40+120 °C  
Temp. range wet: -40+60 °C  
Pin material: POM grey

**THE BEST CHOICE FOR  
DRY RUNNING APPLICATIONS**

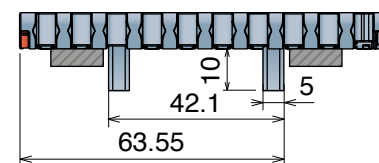
Version A - Standard



Version B - With 1 Positioner



Version C - With 2 Positioners



Version A - Standard

| Series | Material | Width | Version |
|--------|----------|-------|---------|
| 5222   | *        | 0085  | A       |
| 5222   | *        | 0170  | A       |
| 5222   | *        | 0255  | A       |
| 5222   | *        | 0340  | A       |
| 5222   | *        | 0425  | A       |
| 5222   | *        | 0510  | A       |
| 5222   | *        | 0595  | A       |
| 5222   | *        | 0680  | A       |
| 5222   | *        | 0765  | A       |
| 5222   | *        | 0850  | A       |
| 5222   | *        | 0935  | A       |
| 5222   | *        | 1020  | A       |
| 5222   | *        | 1105  | A       |
| 5222   | *        | 1190  | A       |
| 5222   | *        | 1275  | A       |
| 5222   | *        | 1360  | A       |
| 5222   | *        | 1445  | A       |
| 5222   | *        | 1530  | A       |

Version B - With 1 Positioner

| Series | Material | Width | Version |
|--------|----------|-------|---------|
| 5222   | *        | 0085  | B       |
| 5222   | *        | 0170  | B       |
| 5222   | *        | 0255  | B       |
| 5222   | *        | 0340  | B       |
| 5222   | *        | 0425  | B       |
| 5222   | *        | 0510  | B       |
| 5222   | *        | 0595  | B       |
| 5222   | *        | 0680  | B       |
| 5222   | *        | 0765  | B       |
| 5222   | *        | 0850  | B       |
| 5222   | *        | 0935  | B       |
| 5222   | *        | 1020  | B       |
| 5222   | *        | 1105  | B       |
| 5222   | *        | 1190  | B       |
| 5222   | *        | 1275  | B       |
| 5222   | *        | 1360  | B       |
| 5222   | *        | 1445  | B       |
| 5222   | *        | 1530  | B       |

Version C - With 2 Positioners

| Series | Material | Width | Version |
|--------|----------|-------|---------|
| 5222   | *        | 0085  | C       |
| 5222   | *        | 0170  | C       |
| 5222   | *        | 0255  | C       |
| 5222   | *        | 0340  | C       |
| 5222   | *        | 0425  | C       |
| 5222   | *        | 0510  | C       |
| 5222   | *        | 0595  | C       |
| 5222   | *        | 0680  | C       |
| 5222   | *        | 0765  | C       |
| 5222   | *        | 0850  | C       |
| 5222   | *        | 0935  | C       |
| 5222   | *        | 1020  | C       |
| 5222   | *        | 1105  | C       |
| 5222   | *        | 1190  | C       |
| 5222   | *        | 1275  | C       |
| 5222   | *        | 1360  | C       |
| 5222   | *        | 1445  | C       |
| 5222   | *        | 1530  | C       |

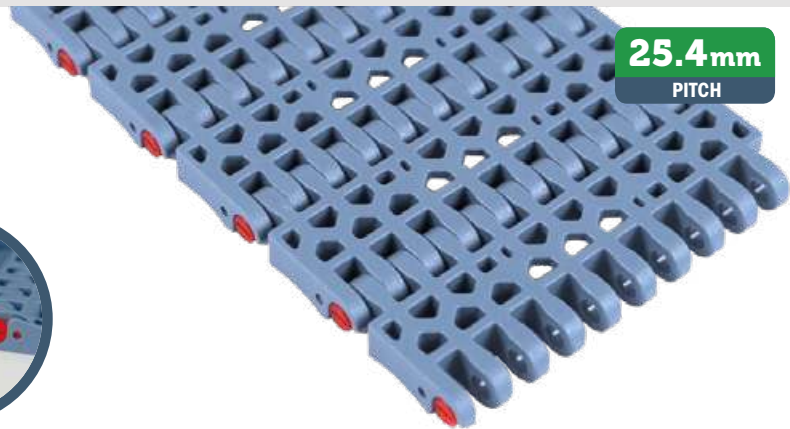
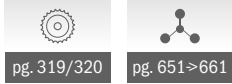
## 550 FG One track Belt Open Surface 25% Tappeto Modulare 550 FG, H=8,7 K330 Modular Belt Series 550 FG, H=8,7 K330 / Modulare Mattenkette 550 FG, H=8,7 K330

CODE STRUCTURE GUIDE (Example)

Backflex radius min.: 25 mm

|        |           |       |         |
|--------|-----------|-------|---------|
| 5222   | 01        | 9330  | A       |
| Series | *Material | Width | Version |

**25.4mm**  
PITCH



Metric Size

**\*Material**

**LFA - Code 01**

Low friction Acetal

Easy Delivery

Max w. load: 2300 N  
Weight: 7,0 kg/m<sup>2</sup>  
Temp. range dry: -40÷80 °C  
Temp. range wet: -40÷65 °C  
Pin material: PBT white

**MX - Code 03**

Performance PBT

Max w. load: 1850 N  
Weight: 6,7 kg/m<sup>2</sup>  
Temp. range dry: -40÷120 °C  
Temp. range wet: -40÷60 °C  
Pin material: POM grey

**LFB - Code 23**

Low friction Acetal

Max w. load: 2300 N  
Weight: 7,0 kg/m<sup>2</sup>  
Temp. range dry: -40÷80 °C  
Temp. range wet: -40÷65 °C  
Pin material: PBT white

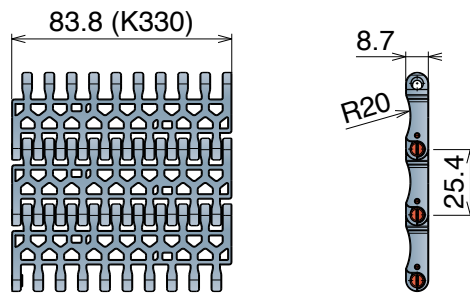
**PFX - Code 30**

Extra performance PBT

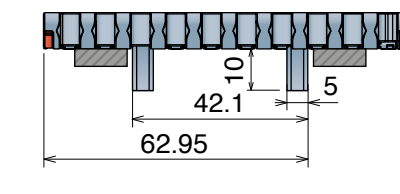
Max w. load: 1850 N  
Weight: 6,7 kg/m<sup>2</sup>  
Temp. range dry: -40÷120 °C  
Temp. range wet: -40÷60 °C  
Pin material: POM grey

**THE BEST CHOICE FOR  
DRY RUNNING APPLICATIONS**

**Version A - Standard**



**Version C - With 2 Positioner**



**Version A - Standard**

| Series | Material | Width | Version |
|--------|----------|-------|---------|
| 5222   | *        | 9330  | A       |

**Version C - With 2 Positioners**

| Series | Material | Width | Version |
|--------|----------|-------|---------|
| 5222   | *        | 9330  | C       |

## 550 GT

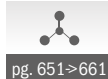
Tappeto Modulare 550 GT, H=8,7 M=85  
Modular Belt Series 550 GT, H=8,7 M=85 / Modulare Mattenkette 550 GT, H=8,7 M=85

CODE STRUCTURE GUIDE (Example)

Backflex radius min.: 30 mm

|             |           |             |          |
|-------------|-----------|-------------|----------|
| <b>5503</b> | <b>01</b> | <b>0085</b> | <b>A</b> |
| Series      | *Material | Width       | Version  |

**25.4mm**  
PITCH

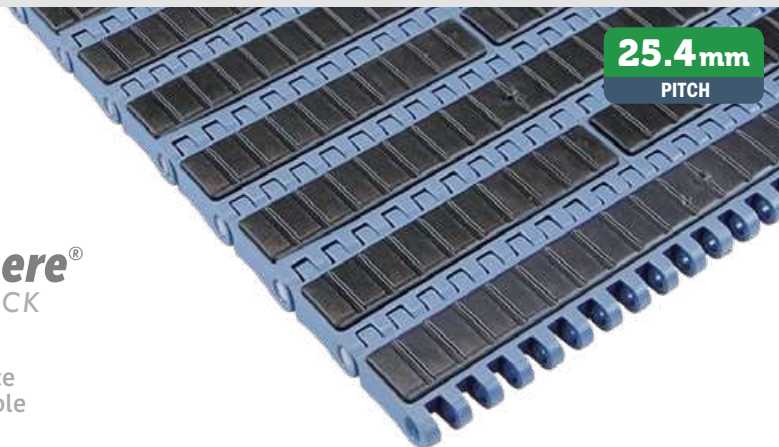


SAMPLE BOX

Art.-Nr. **5503018888A**



- Easier installation
- Quicker maintenance
- 100% interchangeable



\*Material

### LFA - Code 01

Low friction Acetal

Max w. load: 27500 N/m  
Weight: 10,1 kg/m<sup>2</sup>  
Temp. range dry: -40+80 °C  
Temp. range wet: -40+65 °C  
Pin material: PBT white  
Top rubber: 50 ShA-Dark grey

### PP - Code 02

Polypropylene

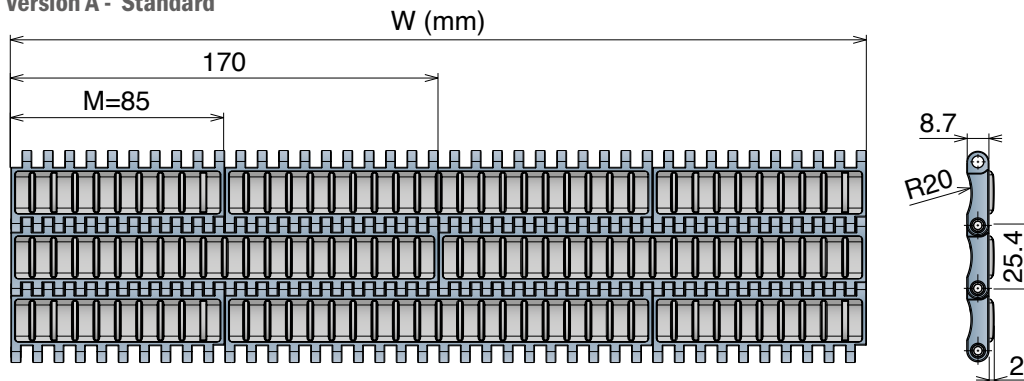
Max w. load: 16500 N/m  
Weight: 8,4 kg/m<sup>2</sup>  
Temp. range dry: 4+80 °C  
Temp. range wet: 4+80 °C  
Pin material: PP blue  
Top rubber: 50 ShA-Pigeon blue

### MX - Code 03

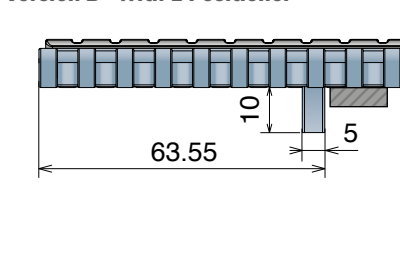
Performance PBT

Max w. load: 21500 N/m  
Weight: 10,5 kg/m<sup>2</sup>  
Temp. range dry: -40+120 °C  
Temp. range wet: -40+60 °C  
Pin material: POM grey  
Top rubber: 50 ShA-Dark grey

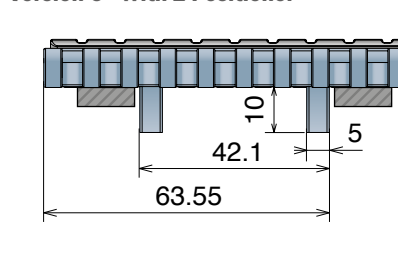
Version A - Standard



Version B - With 1 Positioner



Version C - With 2 Positioner



Version A - Standard

| Series | Material | Width | Version |
|--------|----------|-------|---------|
| 5503   | *        | 0085  | A       |
| 5503   | *        | 0170  | A       |
| 5503   | *        | 0255  | A       |
| 5503   | *        | 0340  | A       |
| 5503   | *        | 0425  | A       |
| 5503   | *        | 0510  | A       |
| 5503   | *        | 0595  | A       |
| 5503   | *        | 0680  | A       |
| 5503   | *        | 0765  | A       |
| 5503   | *        | 0850  | A       |
| 5503   | *        | 0935  | A       |
| 5503   | *        | 1020  | A       |
| 5503   | *        | 1105  | A       |
| 5503   | *        | 1190  | A       |
| 5503   | *        | 1275  | A       |
| 5503   | *        | 1360  | A       |
| 5503   | *        | 1445  | A       |
| 5503   | *        | 1530  | A       |

Version B - With 1 Positioner

| Series | Material | Width | Version |
|--------|----------|-------|---------|
| 5503   | *        | 0085  | B       |
| 5503   | *        | 0170  | B       |
| 5503   | *        | 0255  | B       |
| 5503   | *        | 0340  | B       |
| 5503   | *        | 0425  | B       |
| 5503   | *        | 0510  | B       |
| 5503   | *        | 0595  | B       |
| 5503   | *        | 0680  | B       |
| 5503   | *        | 0765  | B       |
| 5503   | *        | 0850  | B       |
| 5503   | *        | 0935  | B       |
| 5503   | *        | 1020  | B       |
| 5503   | *        | 1105  | B       |
| 5503   | *        | 1190  | B       |
| 5503   | *        | 1275  | B       |
| 5503   | *        | 1360  | B       |
| 5503   | *        | 1445  | B       |
| 5503   | *        | 1530  | B       |

Version C - With 2 Positioners

| Series | Material | Width | Version |
|--------|----------|-------|---------|
| 5503   | *        | 0085  | C       |
| 5503   | *        | 0170  | C       |
| 5503   | *        | 0255  | C       |
| 5503   | *        | 0340  | C       |
| 5503   | *        | 0425  | C       |
| 5503   | *        | 0510  | C       |
| 5503   | *        | 0595  | C       |
| 5503   | *        | 0680  | C       |
| 5503   | *        | 0765  | C       |
| 5503   | *        | 0850  | C       |
| 5503   | *        | 0935  | C       |
| 5503   | *        | 1020  | C       |
| 5503   | *        | 1105  | C       |
| 5503   | *        | 1190  | C       |
| 5503   | *        | 1275  | C       |
| 5503   | *        | 1360  | C       |
| 5503   | *        | 1445  | C       |
| 5503   | *        | 1530  | C       |

## 550 GT Side indent Tappeto Modulare 550 GT, H=8,7 M=85 Modular Belt Series 550 GT, H=8,7 M=85 / Modulare Mattenkette 550 GT, H=8,7 M=85

CODE STRUCTURE GUIDE (Example)

Backflex radius min.: 30 mm

|             |           |             |          |
|-------------|-----------|-------------|----------|
| <b>5505</b> | <b>01</b> | <b>0255</b> | <b>A</b> |
| Series      | *Material | Width       | Version  |

**25.4mm**  
PITCH



pg. 319/320

pg. 651>661



- Easier installation
- Quicker maintenance
- 100% interchangeable

Metric Size

**\*Material**

**LFA - Code 01**

Low friction Acetal

- Max w. load: 27500 N/m
- Weight: 10,1 kg/m<sup>2</sup>
- Temp. range dry: -40÷80 °C
- Temp. range wet: -40÷65 °C
- Pin material: PBT white
- Top rubber: 50 Sha-Dark grey

**PP - Code 02**

Polypropylene

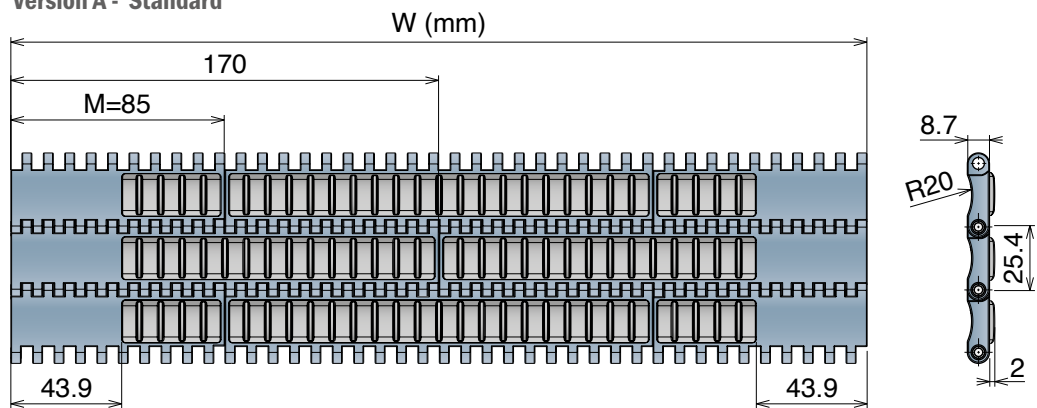
- Max w. load: 16500 N/m
- Weight: 8,4 kg/m<sup>2</sup>
- Temp. range dry: 4÷80 °C
- Temp. range wet: 4÷80 °C
- Pin material: PP blue
- Top rubber: 50 Sha-Pigeon blue

**MX - Code 03**

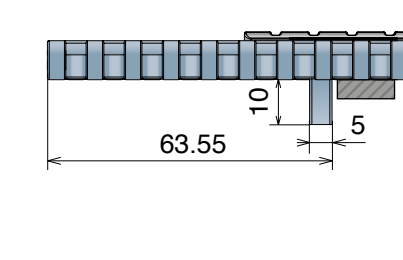
Performance PBT

- Max w. load: 21500 N/m
- Weight: 10,5 kg/m<sup>2</sup>
- Temp. range dry: -40÷120 °C
- Temp. range wet: -40÷60 °C
- Pin material: POM grey
- Top rubber: 50 Sha-Dark grey

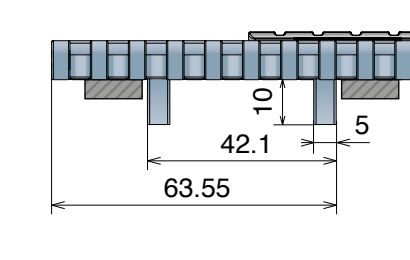
**Version A - Standard**



**Version B - With 1 Positioner**



**Version C - With 2 Positioners**



**Version A - Standard**

| Series | Material | Width | Version |
|--------|----------|-------|---------|
| 5505   | *        | 0255  | A       |
| 5505   | *        | 0340  | A       |
| 5505   | *        | 0425  | A       |
| 5505   | *        | 0510  | A       |
| 5505   | *        | 0595  | A       |
| 5505   | *        | 0680  | A       |
| 5505   | *        | 0765  | A       |
| 5505   | *        | 0850  | A       |
| 5505   | *        | 0935  | A       |
| 5505   | *        | 1020  | A       |
| 5505   | *        | 1105  | A       |
| 5505   | *        | 1190  | A       |
| 5505   | *        | 1275  | A       |
| 5505   | *        | 1360  | A       |
| 5505   | *        | 1445  | A       |
| 5505   | *        | 1530  | A       |

**Version B - With 1 Positioner**

| Series | Material | Width | Version |
|--------|----------|-------|---------|
| 5505   | *        | 0255  | B       |
| 5505   | *        | 0340  | B       |
| 5505   | *        | 0425  | B       |
| 5505   | *        | 0510  | B       |
| 5505   | *        | 0595  | B       |
| 5505   | *        | 0680  | B       |
| 5505   | *        | 0765  | B       |
| 5505   | *        | 0850  | B       |
| 5505   | *        | 0935  | B       |
| 5505   | *        | 1020  | B       |
| 5505   | *        | 1105  | B       |
| 5505   | *        | 1190  | B       |
| 5505   | *        | 1275  | B       |
| 5505   | *        | 1360  | B       |
| 5505   | *        | 1445  | B       |
| 5505   | *        | 1530  | B       |

**Version C - With 2 Positioners**

| Series | Material | Width | Version |
|--------|----------|-------|---------|
| 5505   | *        | 0255  | C       |
| 5505   | *        | 0340  | C       |
| 5505   | *        | 0425  | C       |
| 5505   | *        | 0510  | C       |
| 5505   | *        | 0595  | C       |
| 5505   | *        | 0680  | C       |
| 5505   | *        | 0765  | C       |
| 5505   | *        | 0850  | C       |
| 5505   | *        | 0935  | C       |
| 5505   | *        | 1020  | C       |
| 5505   | *        | 1105  | C       |
| 5505   | *        | 1190  | C       |
| 5505   | *        | 1275  | C       |
| 5505   | *        | 1360  | C       |
| 5505   | *        | 1445  | C       |
| 5505   | *        | 1530  | C       |

# 550 FLIGHT TOP

Tappeti modulari / Modular belts / Mattenketten

PATENTED

**NEW** **550 FLIGHT TOP** Tappeto Modulare 550 with Flight, H=8,7 M=85  
Modular Belt Series 550 with Flight, H=8,7 M=85 / Modulare Mattenkette 550 with Flight, H=8,7 M=85

## CODE STRUCTURE GUIDE

Backflex radius min.: 30 mm

See following table

**25.4 mm**  
PITCH

Metric Size



pg. 319/320



pg. 651>661

## SAMPLE BOX

Art.-Nr. **5503018888A**

## Material

### LFA - Code 01

Low friction Acetal

Max w. load: 30000 N/m  
Weight: 8,5 kg/m<sup>2</sup>  
Temp. range dry: -40÷80 °C  
Temp. range wet: -40÷65 °C  
Pin material: PBT white

### PP - Code 02

Polypropylene

Max w. load: 18000 N/m  
Weight: 8,4 kg/m<sup>2</sup>  
Temp. range dry: 4÷104 °C  
Temp. range wet: 4÷104 °C  
Pin material: PP blue

### LFW - Code 05

Low friction Acetal

Max w. load: 30000 N/m  
Weight: 8,5 kg/m<sup>2</sup>  
Temp. range dry: -40÷80 °C  
Temp. range wet: -40÷65 °C  
Pin material: PBT white

### PPW - Code 21

Polypropylene

Max w. load: 18000 N/m  
Weight: 8,4 kg/m<sup>2</sup>  
Temp. range dry: 4÷80 °C  
Temp. range wet: 4÷65 °C  
Pin material: PP blu

### LFB - Code 23

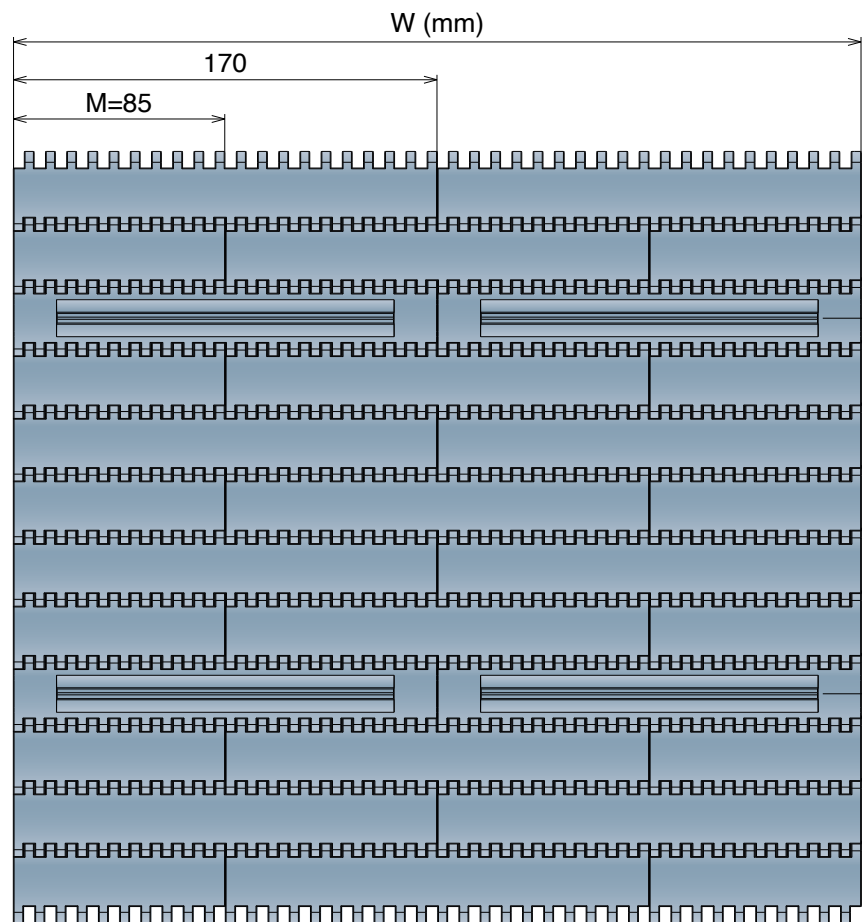
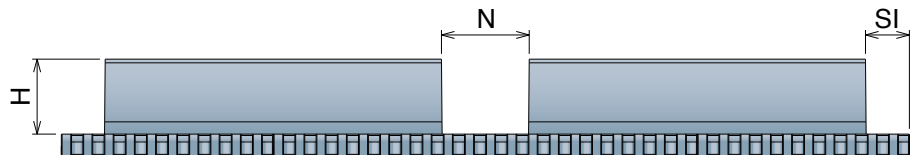
Low friction Acetal

Max w. load: 30000 N/m  
Weight: 8,5 kg/m<sup>2</sup>  
Temp. range dry: -40÷80 °C  
Temp. range wet: -40÷65 °C  
Pin material: PBT white



- Easier installation
- Quicker maintenance
- 100% interchangeable

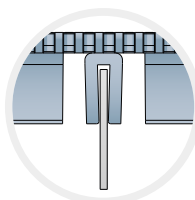
## Version A - Standard



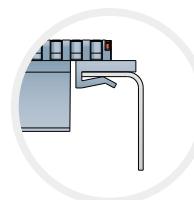
D



THE PERFECT SOLUTION TO CONVEY EVERY TYPE OF PRODUCTS UP AN INCLINE!



**Notch utility**  
RETURN SECTION with Bar-cap



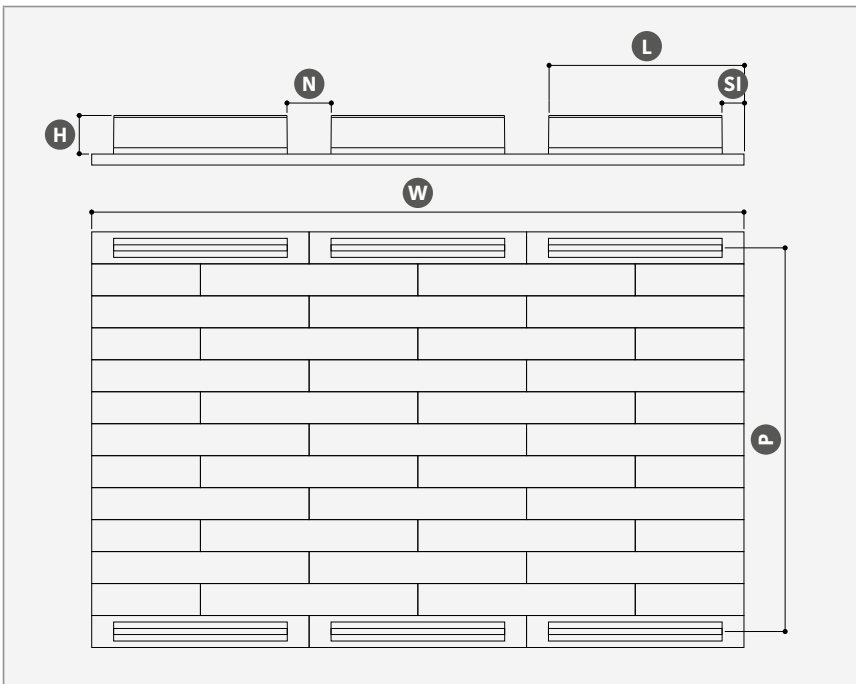
**Side indent utility**  
RETURN SECTION with Z-Profile & J-Profile

Tappeti modulari / Modular belts / Mattenketten

## Request for quotation

Metric Size

### Technical drawing



Please fill out the following form or add dimensions into the drawing.

Company

Sales contact

Contact

Date

For different combination, please ask to your sales representative.

Fill out the form and send to your sales contact or to:

[info@movexii.com](mailto:info@movexii.com)

### Technical features

Dimension expressed in millimeter

| Belt surface      | Flat Top (FT)  |                | Flush Grid (FG) |                                       | Grip Top (GT) |  |
|-------------------|--|----------------|-----------------|---------------------------------------|---------------|--|
| Material & colour | LFA  | LFW            | <b>LFB</b>      | PP                                    | PPW           |  |
| W - Width         | Standard (85 multiple)   |                |                 | Special (17 multiple)                 |               |  |
| H - Flight height | Standard<br>30   | Standard<br>51 | Standard<br>76  | Special (Max 76)                      |               |  |
| P - Pitch         | Number of pitches or distance between flights (25,4 mm multiple) |                |                 |                                       |               |  |
| SI - Side Indent* | No   | 17             | 30              | 50                                    |               |  |
| Notch*            | No   | Single         | Double          | Triple                                |               |  |
|                   | <b>N</b> - Notch width (preferred 34 or 60 mm)                   |                |                 | <b>L</b> - Notch distance (2 or more) |               |  |

### Configuration recommended

Dimensions expressed in millimeter

|             |                   |                   |             |
|-------------|-------------------|-------------------|-------------|
|             |                   |                   |             |
| Width ≤ 170 | 170 > Width ≤ 425 | 425 > Width ≤ 850 | Width > 850 |

## 550 PRO FT

Tappeto Modulare 550 PRO FT, H=8,7 K330

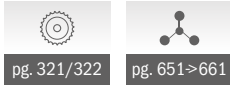
Modular Belt Series 550 PRO FT, H=8,7 K330 / Modulare Mattenkette 550 PRO FT, H=8,7 K330

CODE STRUCTURE GUIDE (Example)

Backflex radius min.: 25 mm

|        |           |       |         |
|--------|-----------|-------|---------|
| 5227   | 01        | 9330  | A       |
| Series | *Material | Width | Version |

**25.4mm**  
PITCH



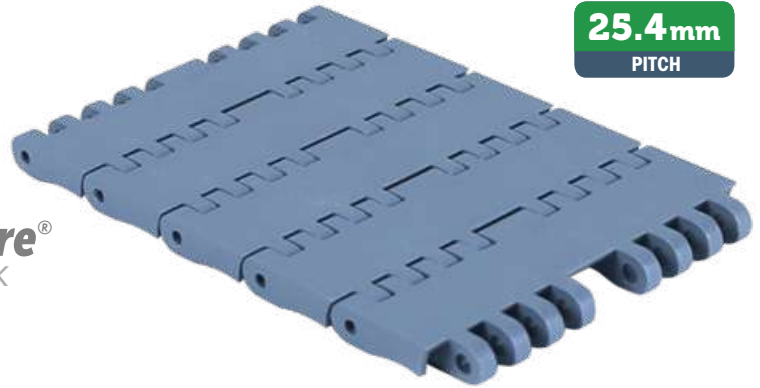
550 PRO FT & PRO M

SAMPLE BOX

Art.-Nr. 5227018888A



- Easier installation
- Quicker maintenance
- 100% interchangeable



\*Material

**LFA - Code 01**

Low friction Acetal

Easy Delivery

Max w. load: 2300 N  
Weight: 8,5 kg/m<sup>2</sup>  
Temp. range dry: -40+80 °C  
Temp. range wet: -40+65 °C  
Pin material: PBT white

**MX - Code 03**

Performance PBT

Max w. load: 1850 N  
Weight: 8,2 kg/m<sup>2</sup>  
Temp. range dry: -40+120 °C  
Temp. range wet: -40+60 °C  
Pin material: POM grey

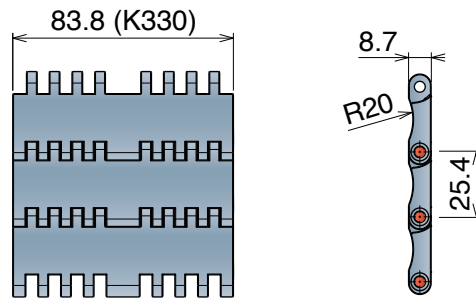
**PFX - Code 30**

Extra performance PBT

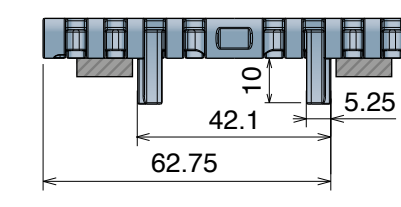
Max w. load: 1850 N  
Weight: 8,2 kg/m<sup>2</sup>  
Temp. range dry: -40+120 °C  
Temp. range wet: -40+60 °C  
Pin material: POM grey

**THE BEST CHOICE FOR  
DRY RUNNING APPLICATIONS**

Version A - Standard



Version C - With 2 Positioner



**Advantages:**

- Optimized product support
- Superior flatness
- Low wear
- Bi-directional

Version A - Standard

| Series | Material | Width | Version |
|--------|----------|-------|---------|
| 5227   | *        | 9330  | A       |

Version C - With 2 Positioners

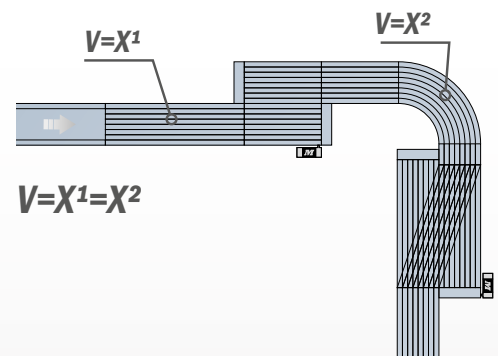
| Series | Material | Width | Version |
|--------|----------|-------|---------|
| 5227   | *        | 9330  | C       |

## 550 PRO FT & 550 PRO FT

The perfect combination

- Same height between guide and center sprockets (S Dimension)
- Same speed for curved and straight
- Unique sprocket for curved and straight

Layout with 550 Pro M and 550 PRO FT





## 550 PRO M


Tappeto Modulare 550 PRO M, H=8,7 K330  
 Modular Belt Series 550 PRO M, H=8,7 K330 /Modulare Mattenkette 550 PRO M, H=8,7 K330

CODE STRUCTURE GUIDE (Example)

Backflex radius min.: 15 mm

|             |           |             |          |
|-------------|-----------|-------------|----------|
| <b>5228</b> | <b>30</b> | <b>9330</b> | <b>C</b> |
| Series      | *Material | Width       | Version  |

**25.4mm**  
PITCH

|   |   |   |   |
|---|---|---|---|
|  10 feet<br>3.048 m |  pg. 321/322 |  pg. 162 |  pg. 651>661 |
| 240 links   |   |   |   |

### MAGNETIC SYSTEM

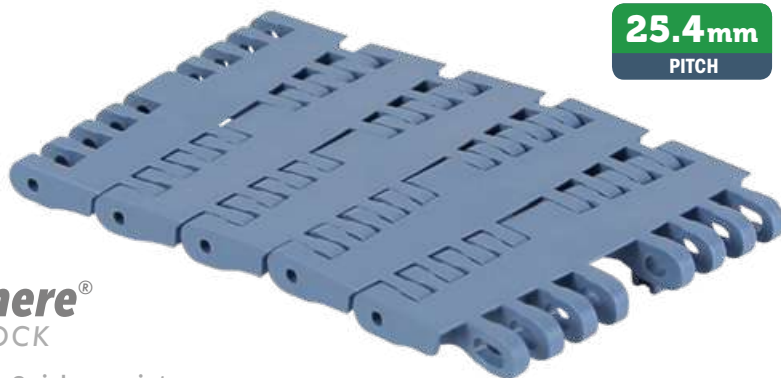
550 PRO FT & PRO M

SAMPLE BOX

Art.-Nr. **5227018888A**



- Easier installation • Quicker maintenance
- 100% interchangeable



Metric Size

\*Material

### LFA - Code 01

Low friction Acetal

Easy Delivery

Max w. load: 2500 N  
 Weight: 8,2 kg/m<sup>2</sup>  
 Temp. range dry: -40+80 °C  
 Temp. range wet: -40+65 °C  
 Pin material: Ferritic  
 Stainless Steel

### MX - Code 03

Performance PBT

Max w. load: 2000 N  
 Weight: 8,0 kg/m<sup>2</sup>  
 Temp. range dry: -40+120 °C  
 Temp. range wet: -40+60 °C  
 Pin material: Ferritic  
 Stainless Steel

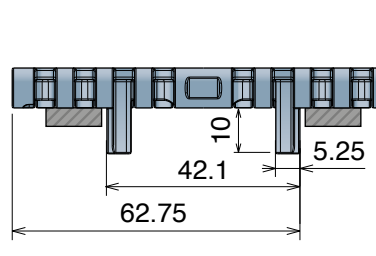
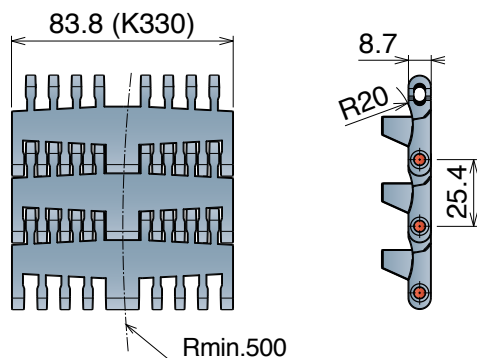
### PFX - Code 30

Extra performance PBT

Max w. load: 2000 N  
 Weight: 8,0 kg/m<sup>2</sup>  
 Temp. range dry: -40+120 °C  
 Temp. range wet: -40+60 °C  
 Pin material: Ferritic  
 Stainless Steel

THE BEST CHOICE FOR  
 DRY RUNNING APPLICATIONS

Version C - With 2 Positioner



### Advantages:

- Optimized product support
- Superior flatness
- Low wear
- Bi-directional

Version C - With 2 Positioners

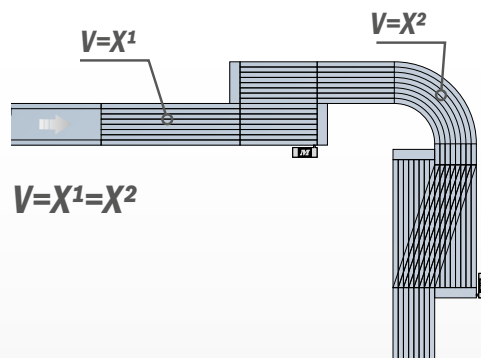
| Series | Material | Width | Version |
|--------|----------|-------|---------|
| 5228   | *        | 9330  | C       |

## 550 PRO FT & 550 PRO FT

The perfect combination

- Same height between guide and center sprockets (S Dimension)
- Same speed for curved and straight
- Unique sprocket for curved and straight

Layout with 550 Pro M and 550 PRO FT



# 551

Pitch 25,4 mm  
H= 12,7 mm



- 551 FT
- 551 FTT
- 551 GT
- 551 GT *Side indent*
- 551 LBP
- 551 PRO LBP

## 551 FT

Tappeto Modulare 551 FT, H=12,7 M=85  
Modular Belt Series 551 FT, H=12,7 M=85 / Modulare Mattenkette 551 FT, H=12,7 M=85

### CODE STRUCTURE GUIDE (Example)

Backflex radius min.: 25 mm

|             |           |             |          |
|-------------|-----------|-------------|----------|
| <b>5231</b> | <b>01</b> | <b>0085</b> | <b>A</b> |
| Series      | *Material | Width       | Version  |

**25.4mm**  
PITCH

#### \* Material

**LFA - Code 01**  
Low friction Acetal

Easy Delivery

Max w. load: 41500 N/m  
Weight: 12,5 kg/m<sup>2</sup>  
Temp. range dry: -40÷80 °C  
Temp. range wet: -40÷65 °C  
Pin material: PBT white

**PP - Code 02**  
Polypropylene

Max w. load: 27000 N/m  
Weight: 10,0 kg/m<sup>2</sup>  
Temp. range dry: 4÷104 °C  
Temp. range wet: 4÷104 °C  
Pin material: PP blue

**MX - Code 03**  
Performance PBT

Max w. load: 33500 N/m  
Weight: 12,0 kg/m<sup>2</sup>  
Temp. range dry: -40÷120 °C  
Temp. range wet: -40÷60 °C  
Pin material: POM grey

**DKM - Code 16**  
Aramide Reinforced Acetal

Max w. load: 41500 N/m  
Weight: 12,5 kg/m<sup>2</sup>  
Temp. range dry: -40÷80 °C  
Temp. range wet: -40÷65 °C  
Pin material: PBT white

**MWX - Code 17**  
Polyamide Composite

Max w. load: 41500 N/m  
Weight: 13,0 kg/m<sup>2</sup>  
Temp. range dry: -40÷104 °C  
Temp. range wet: NR  
Pin material: PBT white

**MPX - Code 25**  
Lubricated Acetal

Max w. load: 41500 N/m  
Weight: 12,5 kg/m<sup>2</sup>  
Temp. range dry: -40÷80 °C  
Temp. range wet: -40÷65 °C  
Pin material: PBT white

**PFX - Code 30**  
Extra performance PBT

Max w. load: 33500 N/m  
Weight: 12,0 kg/m<sup>2</sup>  
Temp. range dry: -40÷120 °C  
Temp. range wet: -40÷60 °C  
Pin material: POM grey

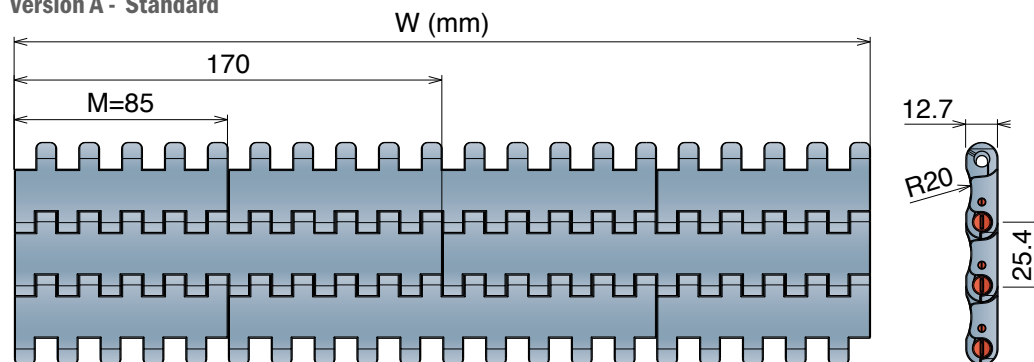
**THE BEST CHOICE FOR  
DRY RUNNING APPLICATIONS**

#### SAMPLE BOX

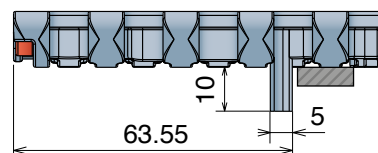
Art.-Nr. **523101888A**



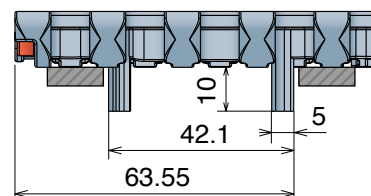
#### Version A - Standard



#### Version B - With 1 Positioner



#### Version C - With 2 Positioners



#### Version A - Standard

| Series | Material | Width | Version |
|--------|----------|-------|---------|
| 5231   | *        | 0085  | A       |
| 5231   | *        | 0170  | A       |
| 5231   | *        | 0255  | A       |
| 5231   | *        | 0340  | A       |
| 5231   | *        | 0425  | A       |
| 5231   | *        | 0510  | A       |
| 5231   | *        | 0595  | A       |
| 5231   | *        | 0680  | A       |
| 5231   | *        | 0765  | A       |
| 5231   | *        | 0850  | A       |
| 5231   | *        | 0935  | A       |
| 5231   | *        | 1020  | A       |
| 5231   | *        | 1105  | A       |
| 5231   | *        | 1190  | A       |
| 5231   | *        | 1275  | A       |
| 5231   | *        | 1360  | A       |
| 5231   | *        | 1445  | A       |
| 5231   | *        | 1530  | A       |

#### Version B - With 1 Positioner

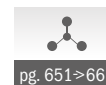
| Series | Material | Width | Version |
|--------|----------|-------|---------|
| 5231   | *        | 0085  | B       |
| 5231   | *        | 0170  | B       |
| 5231   | *        | 0255  | B       |
| 5231   | *        | 0340  | B       |
| 5231   | *        | 0425  | B       |
| 5231   | *        | 0510  | B       |
| 5231   | *        | 0595  | B       |
| 5231   | *        | 0680  | B       |
| 5231   | *        | 0765  | B       |
| 5231   | *        | 0850  | B       |
| 5231   | *        | 0935  | B       |
| 5231   | *        | 1020  | B       |
| 5231   | *        | 1105  | B       |
| 5231   | *        | 1190  | B       |
| 5231   | *        | 1275  | B       |
| 5231   | *        | 1360  | B       |
| 5231   | *        | 1445  | B       |
| 5231   | *        | 1530  | B       |

#### Version C - With 2 Positioners

| Series | Material | Width | Version |
|--------|----------|-------|---------|
| 5231   | *        | 0085  | C       |
| 5231   | *        | 0170  | C       |
| 5231   | *        | 0255  | C       |
| 5231   | *        | 0340  | C       |
| 5231   | *        | 0425  | C       |
| 5231   | *        | 0510  | C       |
| 5231   | *        | 0595  | C       |
| 5231   | *        | 0680  | C       |
| 5231   | *        | 0765  | C       |
| 5231   | *        | 0850  | C       |
| 5231   | *        | 0935  | C       |
| 5231   | *        | 1020  | C       |
| 5231   | *        | 1105  | C       |
| 5231   | *        | 1190  | C       |
| 5231   | *        | 1275  | C       |
| 5231   | *        | 1360  | C       |
| 5231   | *        | 1445  | C       |
| 5231   | *        | 1530  | C       |



pg. 323-324



pg. 651>661

## 551 FTT

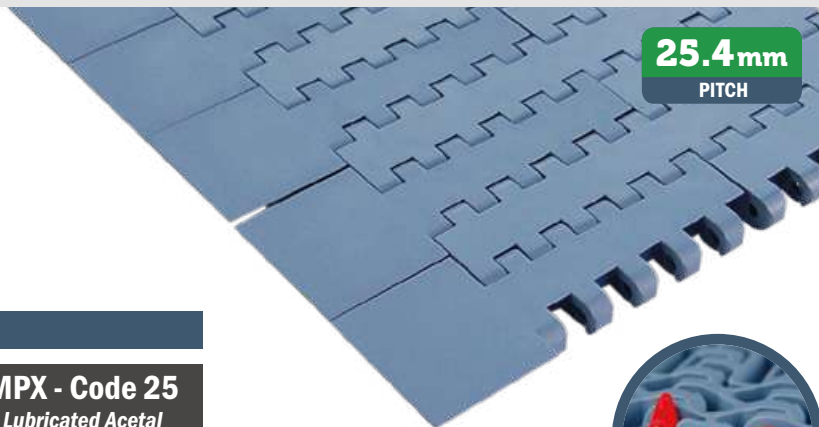
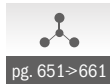
Tappeto Modulare 551 FTT, H=12,7 M=85

Modular Belt Series 551 FTT, H=12,7 M=85 / Modulare Mattenkette 551 FTT, H=12,7 M=85

### CODE STRUCTURE GUIDE (Example)

Backflex radius min.: 25 mm

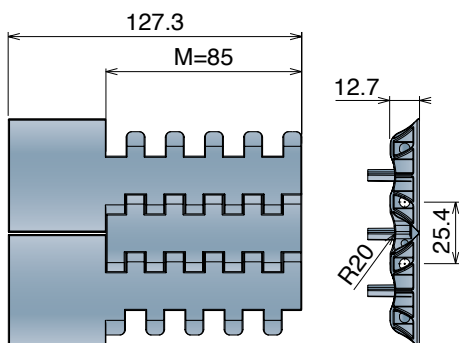
|             |           |             |          |
|-------------|-----------|-------------|----------|
| <b>5236</b> | <b>01</b> | <b>0085</b> | <b>C</b> |
| Series      | *Material | Width       | Version  |



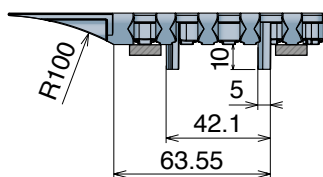
**25.4mm**  
PITCH

### \*Material

| LFA - Code 01<br><i>Low friction Acetal</i> | MX - Code 03<br><i>Performance PBT</i> | MPX - Code 25<br><i>Lubricated Acetal</i> |
|---|--|---|
| <b>Max w. load:</b> 41500 N/m               | <b>Max w. load:</b> 33500 N/m          | <b>Max w. load:</b> 41500 N/m             |
| <b>Weight:</b> 12,5 kg/m <sup>2</sup>       | <b>Weight:</b> 12,0 kg/m <sup>2</sup>  | <b>Weight:</b> 12,5 kg/m <sup>2</sup>     |
| <b>Temp. range dry:</b> -40÷80 °C           | <b>Temp. range dry:</b> -40÷120 °C     | <b>Temp. range dry:</b> -40÷80 °C         |
| <b>Temp. range wet:</b> -40÷65 °C           | <b>Temp. range wet:</b> -40÷60 °C      | <b>Temp. range wet:</b> -40÷65 °C         |
| <b>Pin material:</b> PBT white              | <b>Pin material:</b> POM grey          | <b>Pin material:</b> PBT white            |



Version C

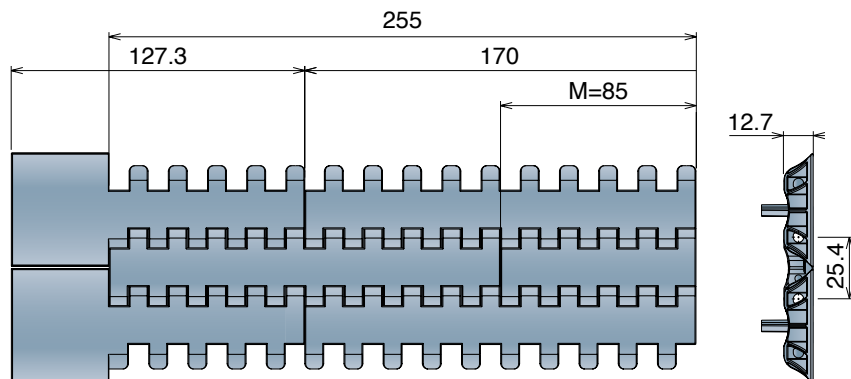


Version C

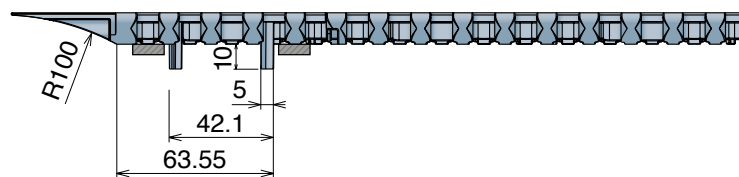
| Series | Material | Width | Version |
|--------|----------|-------|---------|
| 5236   | *        | 0085  | C       |

### Max working load (N)

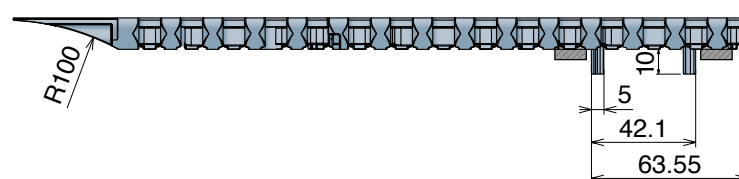
|       |      |
|-------|------|
| Width | 85   |
| LFA   | 3500 |
| MX    | 2800 |
| MPX   | 3500 |



Version CN - Near



Version C0 - Opposite



Version CN - Near

| Series | Material | Width | Version |
|--------|----------|-------|---------|
| 5236   | *        | 0170  | CN      |
| 5236   | *        | 0255  | CN      |

Version C0 - Opposite

| Series | Material | Width | Version |
|--------|----------|-------|---------|
| 5236   | *        | 0170  | C0      |
| 5236   | *        | 0255  | C0      |

## 551 GT

Tappeto Modulare 551 GT, H=12,7 M=85  
 Modular Belt Series 551 GT, H=12,7 M=85 / Modulare Mattenkette 551 GT, H=12,7 M=85

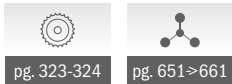
Metric Size

### CODE STRUCTURE GUIDE (Example)

Backflex radius min.: 50 mm

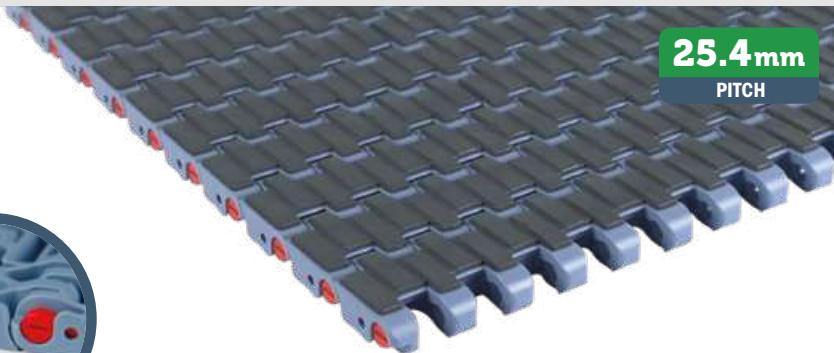
|             |           |             |          |
|-------------|-----------|-------------|----------|
| <b>5233</b> | <b>01</b> | <b>0085</b> | <b>A</b> |
| Series      | *Material | Width       | Version  |

**25.4mm**  
PITCH



pg. 323-324    pg. 651>661

|                   |                    |
|-------------------|--------------------|
| <b>SAMPLE BOX</b> |                    |
| Art.-Nr.          | <b>5233018888A</b> |



### \*Material

#### LFA - Code 01

Low friction Acetal

Easy Delivery

Max w. load: 41500 N/m  
 Weight: 13,5 kg/m<sup>2</sup>  
 Temp. range dry: -40÷80 °C  
 Temp. range wet: -40÷65 °C  
 Pin material: PBT white  
 Top rubber: 50 ShA-Dark grey

#### PP - Code 02

Polypropylene

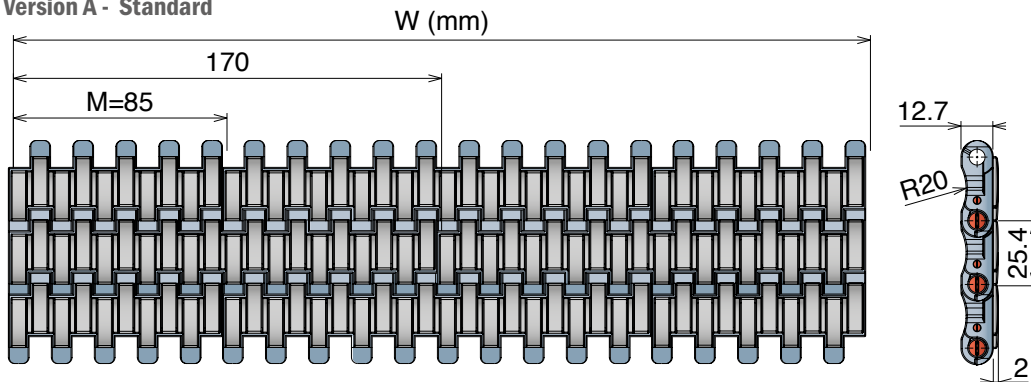
Max w. load: 27000 N/m  
 Weight: 11,0 kg/m<sup>2</sup>  
 Temp. range dry: 4÷80 °C  
 Temp. range wet: 4÷80 °C  
 Pin material: PP blue  
 Top rubber: 50 ShA-Pigeon blue

#### MX - Code 03

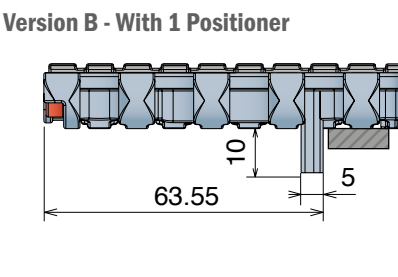
Performance PBT

Max w. load: 33500 N/m  
 Weight: 12,7 kg/m<sup>2</sup>  
 Temp. range dry: -40÷120 °C  
 Temp. range wet: -40÷60 °C  
 Pin material: POM grey  
 Top rubber: 50 ShA-Dark grey

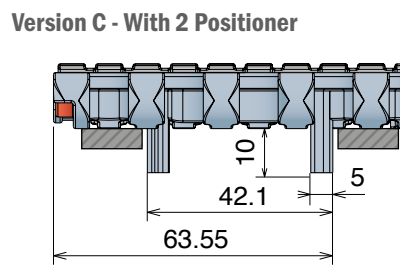
### Version A - Standard



### Version B - With 1 Positioner



### Version C - With 2 Positioners



### Version A - Standard

| Series | Material | Width | Version |
|--------|----------|-------|---------|
| 5233   | *        | 0085  | A       |
| 5233   | *        | 0170  | A       |
| 5233   | *        | 0255  | A       |
| 5233   | *        | 0340  | A       |
| 5233   | *        | 0425  | A       |
| 5233   | *        | 0510  | A       |
| 5233   | *        | 0595  | A       |
| 5233   | *        | 0680  | A       |
| 5233   | *        | 0765  | A       |
| 5233   | *        | 0850  | A       |
| 5233   | *        | 0935  | A       |
| 5233   | *        | 1020  | A       |
| 5233   | *        | 1105  | A       |
| 5233   | *        | 1190  | A       |
| 5233   | *        | 1275  | A       |
| 5233   | *        | 1360  | A       |
| 5233   | *        | 1445  | A       |
| 5233   | *        | 1530  | A       |

### Version B - With 1 Positioner

| Series | Material | Width | Version |
|--------|----------|-------|---------|
| 5233   | *        | 0085  | B       |
| 5233   | *        | 0170  | B       |
| 5233   | *        | 0255  | B       |
| 5233   | *        | 0340  | B       |
| 5233   | *        | 0425  | B       |
| 5233   | *        | 0510  | B       |
| 5233   | *        | 0595  | B       |
| 5233   | *        | 0680  | B       |
| 5233   | *        | 0765  | B       |
| 5233   | *        | 0850  | B       |
| 5233   | *        | 0935  | B       |
| 5233   | *        | 1020  | B       |
| 5233   | *        | 1105  | B       |
| 5233   | *        | 1190  | B       |
| 5233   | *        | 1275  | B       |
| 5233   | *        | 1360  | B       |
| 5233   | *        | 1445  | B       |
| 5233   | *        | 1530  | B       |

### Version C - With 2 Positioners

| Series | Material | Width | Version |
|--------|----------|-------|---------|
| 5233   | *        | 0085  | C       |
| 5233   | *        | 0170  | C       |
| 5233   | *        | 0255  | C       |
| 5233   | *        | 0340  | C       |
| 5233   | *        | 0425  | C       |
| 5233   | *        | 0510  | C       |
| 5233   | *        | 0595  | C       |
| 5233   | *        | 0680  | C       |
| 5233   | *        | 0765  | C       |
| 5233   | *        | 0850  | C       |
| 5233   | *        | 0935  | C       |
| 5233   | *        | 1020  | C       |
| 5233   | *        | 1105  | C       |
| 5233   | *        | 1190  | C       |
| 5233   | *        | 1275  | C       |
| 5233   | *        | 1360  | C       |
| 5233   | *        | 1445  | C       |
| 5233   | *        | 1530  | C       |

# 551 GT Side indent

Tappeti modulari / Modular belts / Mattenketten

Belts wider than standard are available with 85 mm increments

## 551 GT Side indent Tappeto Modulare 551 GT, H=12,7 M=85 Modular Belt Series 551 GT, H=12,7 M=85 / Modulare Mattenkette 551 GT, H=12,7 M=85

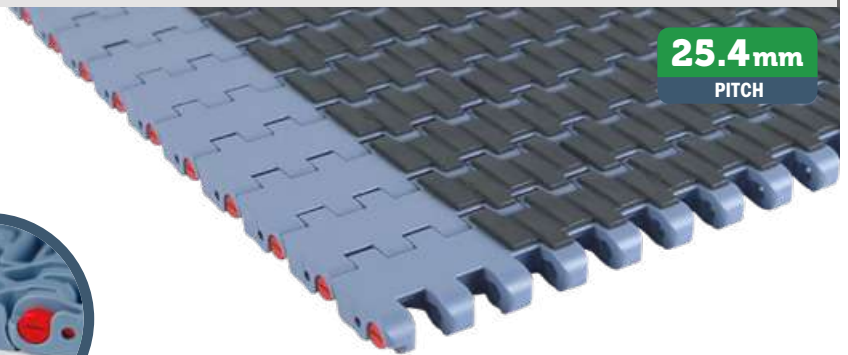
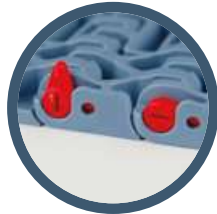
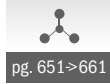
CODE STRUCTURE GUIDE (Example)

Backflex radius min.: 50 mm

|             |           |             |          |
|-------------|-----------|-------------|----------|
| <b>5235</b> | <b>01</b> | <b>0255</b> | <b>A</b> |
| Series      | *Material | Width       | Version  |

**25.4mm**  
PITCH

Metric Size



\*Material

### LFA - Code 01

Low friction Acetal

Easy Delivery

Max w. load: 41500 N/m  
Weight: 13,5 kg/m<sup>2</sup>  
Temp. range dry: -40÷80 °C  
Temp. range wet: -40÷65 °C  
Pin material: PBT white  
Top rubber: 50 ShA-Dark grey

### PP - Code 02

Polypropylene

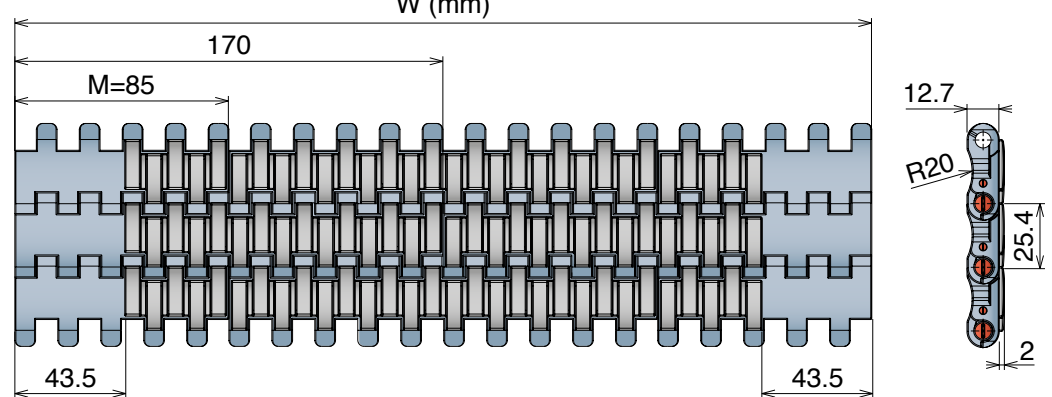
Max w. load: 27000 N/m  
Weight: 11,0 kg/m<sup>2</sup>  
Temp. range dry: 4÷80 °C  
Temp. range wet: 4÷80 °C  
Pin material: PP blue  
Top rubber: 50 ShA-Pigeon blue

### MX - Code 03

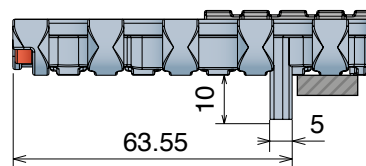
Performance PBT

Max w. load: 33500 N/m  
Weight: 12,7 kg/m<sup>2</sup>  
Temp. range dry: -40÷120 °C  
Temp. range wet: -40÷60 °C  
Pin material: POM grey  
Top rubber: 50 ShA-Dark grey

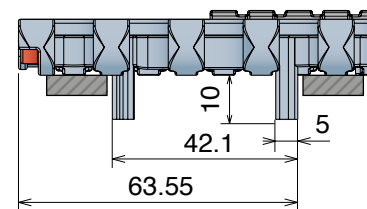
Version A - Standard



Version B - With 1 Positioner



Version C - With 2 Positioner



Version A - Standard

| Series | Material | Width | Version |
|--------|----------|-------|---------|
| 5235   | *        | 0255  | A       |
| 5235   | *        | 0340  | A       |
| 5235   | *        | 0425  | A       |
| 5235   | *        | 0510  | A       |
| 5235   | *        | 0595  | A       |
| 5235   | *        | 0680  | A       |
| 5235   | *        | 0765  | A       |
| 5235   | *        | 0850  | A       |
| 5235   | *        | 0935  | A       |
| 5235   | *        | 1020  | A       |
| 5235   | *        | 1105  | A       |
| 5235   | *        | 1190  | A       |
| 5235   | *        | 1275  | A       |
| 5235   | *        | 1360  | A       |
| 5235   | *        | 1445  | A       |
| 5235   | *        | 1530  | A       |

Version B - With 1 Positioner

| Series | Material | Width | Version |
|--------|----------|-------|---------|
| 5235   | *        | 0255  | B       |
| 5235   | *        | 0340  | B       |
| 5235   | *        | 0425  | B       |
| 5235   | *        | 0510  | B       |
| 5235   | *        | 0595  | B       |
| 5235   | *        | 0680  | B       |
| 5235   | *        | 0765  | B       |
| 5235   | *        | 0850  | B       |
| 5235   | *        | 0935  | B       |
| 5235   | *        | 1020  | B       |
| 5235   | *        | 1105  | B       |
| 5235   | *        | 1190  | B       |
| 5235   | *        | 1275  | B       |
| 5235   | *        | 1360  | B       |
| 5235   | *        | 1445  | B       |
| 5235   | *        | 1530  | B       |

Version C - With 2 Positioners

| Series | Material | Width | Version |
|--------|----------|-------|---------|
| 5235   | *        | 0255  | C       |
| 5235   | *        | 0340  | C       |
| 5235   | *        | 0425  | C       |
| 5235   | *        | 0510  | C       |
| 5235   | *        | 0595  | C       |
| 5235   | *        | 0680  | C       |
| 5235   | *        | 0765  | C       |
| 5235   | *        | 0850  | C       |
| 5235   | *        | 0935  | C       |
| 5235   | *        | 1020  | C       |
| 5235   | *        | 1105  | C       |
| 5235   | *        | 1190  | C       |
| 5235   | *        | 1275  | C       |
| 5235   | *        | 1360  | C       |
| 5235   | *        | 1445  | C       |
| 5235   | *        | 1530  | C       |

## 551 LBP

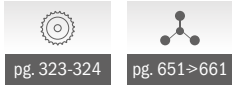
Tappeto Modulare 551 LBP, H=12,7 M=85  
 Modular Belt Series 551 LBP, H=12,7 M=85 / Modulare Mattenkette 551 LBP, H=12,7 M=85

Metric Size

| CODE STRUCTURE GUIDE (Example) |           |       |         |
|--------------------------------|-----------|-------|---------|
| 5234                           | 01        | 0085  | A       |
| Series                         | *Material | Width | Version |

Backflex radius min.: 120 mm

**25.4mm**  
PITCH

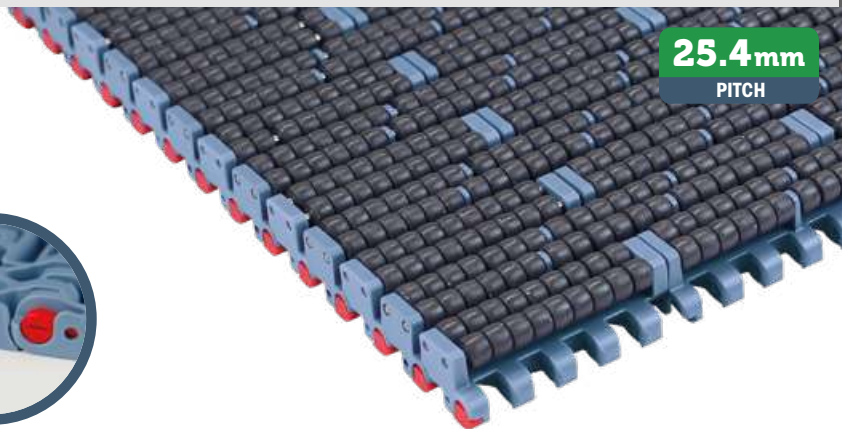
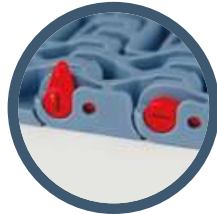


pg. 323-324

pg. 651>661

### SAMPLE BOX

Art.-Nr. **5234018888A**



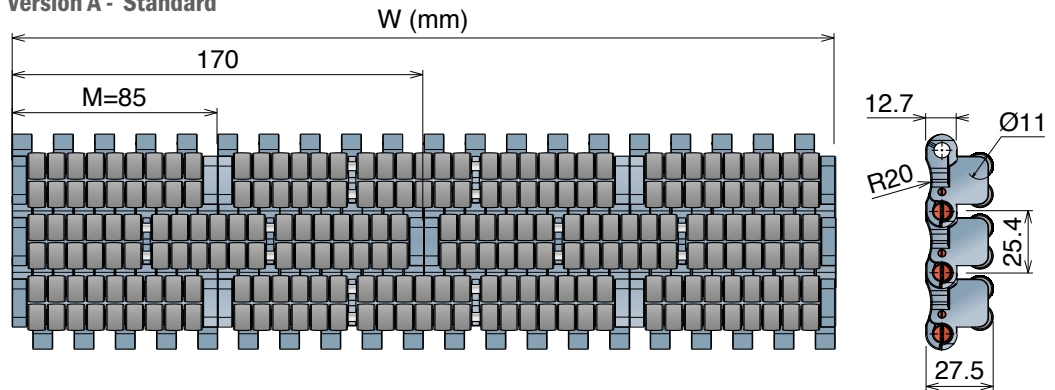
### Material

### LFA - Code 01

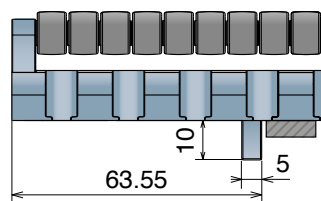
Low friction Acetal

Max w. load: 41500 N/m  
 Weight: 26,9 kg/m<sup>2</sup>  
 Temp. range dry: -40÷80 °C  
 Temp. range wet: -40÷65 °C  
 Pin material: PBT white

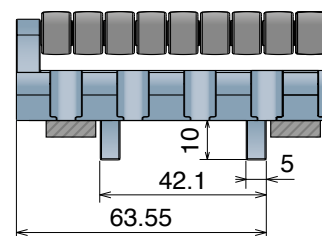
### Version A - Standard



### Version B - With 1 Positioner



### Version C - With 2 Positioners



### Version A - Standard

| Series | Material | Width | Version |
|--------|----------|-------|---------|
| 5234   | 01       | 0085  | A       |
| 5234   | 01       | 0170  | A       |
| 5234   | 01       | 0255  | A       |
| 5234   | 01       | 0340  | A       |
| 5234   | 01       | 0425  | A       |
| 5234   | 01       | 0510  | A       |
| 5234   | 01       | 0595  | A       |
| 5234   | 01       | 0680  | A       |
| 5234   | 01       | 0765  | A       |
| 5234   | 01       | 0850  | A       |
| 5234   | 01       | 0935  | A       |
| 5234   | 01       | 1020  | A       |
| 5234   | 01       | 1105  | A       |
| 5234   | 01       | 1190  | A       |
| 5234   | 01       | 1275  | A       |
| 5234   | 01       | 1360  | A       |
| 5234   | 01       | 1445  | A       |
| 5234   | 01       | 1530  | A       |

### Version B - With 1 Positioner

| Series | Material | Width | Version |
|--------|----------|-------|---------|
| 5234   | 01       | 0085  | B       |
| 5234   | 01       | 0170  | B       |
| 5234   | 01       | 0255  | B       |
| 5234   | 01       | 0340  | B       |
| 5234   | 01       | 0425  | B       |
| 5234   | 01       | 0510  | B       |
| 5234   | 01       | 0595  | B       |
| 5234   | 01       | 0680  | B       |
| 5234   | 01       | 0765  | B       |
| 5234   | 01       | 0850  | B       |
| 5234   | 01       | 0935  | B       |
| 5234   | 01       | 1020  | B       |
| 5234   | 01       | 1105  | B       |
| 5234   | 01       | 1190  | B       |
| 5234   | 01       | 1275  | B       |
| 5234   | 01       | 1360  | B       |
| 5234   | 01       | 1445  | B       |
| 5234   | 01       | 1530  | B       |

### Version C - With 2 Positioners

| Series | Material | Width | Version |
|--------|----------|-------|---------|
| 5234   | 01       | 0085  | C       |
| 5234   | 01       | 0170  | C       |
| 5234   | 01       | 0255  | C       |
| 5234   | 01       | 0340  | C       |
| 5234   | 01       | 0425  | C       |
| 5234   | 01       | 0510  | C       |
| 5234   | 01       | 0595  | C       |
| 5234   | 01       | 0680  | C       |
| 5234   | 01       | 0765  | C       |
| 5234   | 01       | 0850  | C       |
| 5234   | 01       | 0935  | C       |
| 5234   | 01       | 1020  | C       |
| 5234   | 01       | 1105  | C       |
| 5234   | 01       | 1190  | C       |
| 5234   | 01       | 1275  | C       |
| 5234   | 01       | 1360  | C       |
| 5234   | 01       | 1445  | C       |
| 5234   | 01       | 1530  | C       |

## 551 PRO LBP

Tappeto Modulare 551 PRO LBP, H=12,7 M=85

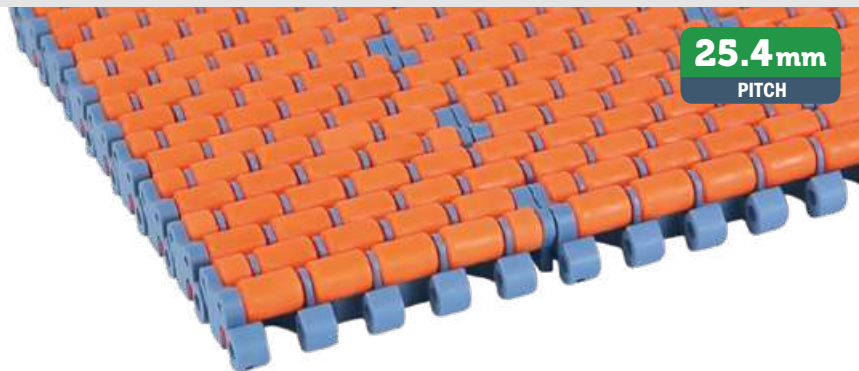
Modular Belt Series 551 PRO LBP, H=12,7 M=85 / Modulare Mattenkette 551 PRO LBP, H=12,7 M=85

### CODE STRUCTURE GUIDE (Example)

Backflex radius min.: 100 mm

|             |           |             |          |
|-------------|-----------|-------------|----------|
| <b>5240</b> | <b>01</b> | <b>0085</b> | <b>A</b> |
| Series      | *Material | Width       | Version  |

**25.4 mm**  
PITCH



Metric Size



pg. 323-324

pg. 651>661

### SAMPLE BOX

Art.-Nr. **524001888A**

### Material

#### LFA - Code 01

Low friction Acetal

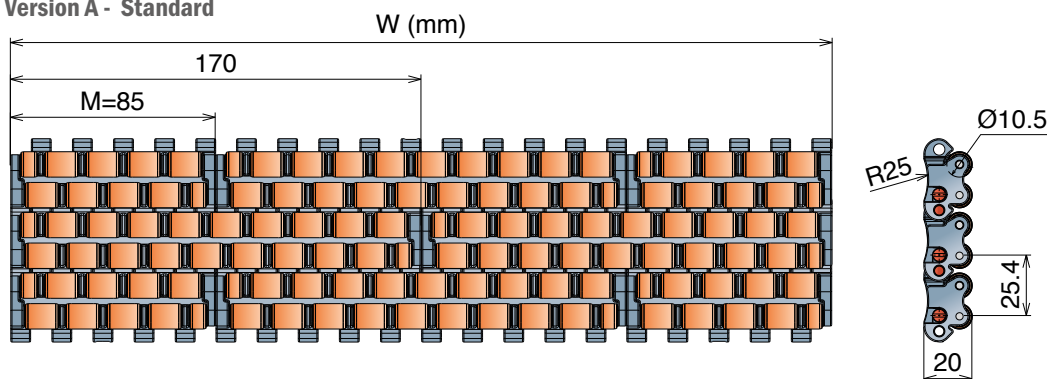
Easy Delivery

Max w. load: 41500 N/m  
 Weight SS pin: 13,8 kg/m<sup>2</sup>  
 Weight Plastic pin: 11,0 kg/m<sup>2</sup>  
 Temp. range dry: -40+80 °C  
 Temp. range wet: -40+65 °C  
 Pin material: PBT white

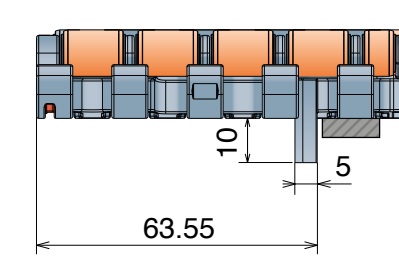
### PFX Roller

**THE BEST CHOICE TO REACH  
THE LOWEST FRICTION**

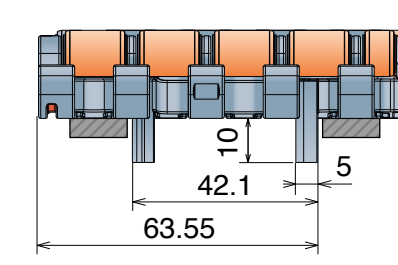
#### Version A - Standard



#### Version B - With 1 Positioner



#### Version C - With 2 Positioner



### Stainless steel Pin



### Plastic Pin

| Series | Material | Width | Version |
|--------|----------|-------|---------|
| 5239   | 01       | 0085  | *       |
| 5239   | 01       | 0170  | *       |
| 5239   | 01       | 0255  | *       |
| 5239   | 01       | 0340  | *       |
| 5239   | 01       | 0425  | *       |
| 5239   | 01       | 0510  | *       |
| 5239   | 01       | 0595  | *       |
| 5239   | 01       | 0680  | *       |
| 5239   | 01       | 0765  | *       |
| 5239   | 01       | 0850  | *       |
| 5239   | 01       | 0935  | *       |
| 5239   | 01       | 1020  | *       |
| 5239   | 01       | 1105  | *       |
| 5239   | 01       | 1190  | *       |
| 5239   | 01       | 1275  | *       |
| 5239   | 01       | 1360  | *       |
| 5239   | 01       | 1445  | *       |
| 5239   | 01       | 1530  | *       |

| Series | Material | Width | Version |
|--------|----------|-------|---------|
| 5240   | 01       | 0085  | *       |
| 5240   | 01       | 0170  | *       |
| 5240   | 01       | 0255  | *       |
| 5240   | 01       | 0340  | *       |
| 5240   | 01       | 0425  | *       |
| 5240   | 01       | 0510  | *       |
| 5240   | 01       | 0595  | *       |
| 5240   | 01       | 0680  | *       |
| 5240   | 01       | 0765  | *       |
| 5240   | 01       | 0850  | *       |
| 5240   | 01       | 0935  | *       |
| 5240   | 01       | 1020  | *       |
| 5240   | 01       | 1105  | *       |
| 5240   | 01       | 1190  | *       |
| 5240   | 01       | 1275  | *       |
| 5240   | 01       | 1360  | *       |
| 5240   | 01       | 1445  | *       |
| 5240   | 01       | 1530  | *       |

| *Version           |       |
|--------------------|-------|
| Standard           | Add A |
| With 1 Positioner  | Add B |
| With 2 Positioners | Add C |



# 552

Pitch 25,4 mm  
H= 12,7 mm



552 FT  
552 FT *One track Belt*  
552 FTT  
552 PT  
552 PT *One track Belt*  
552 GT

552 GT *Side indent*



## 552 FT

Tappeto Modulare 552 FT, H=12,7 M=3"  
Modular Belt Series 552 FT, H=12,7 M=3" / Modulare Mattenkette 552 FT, H=12,7 M=3"

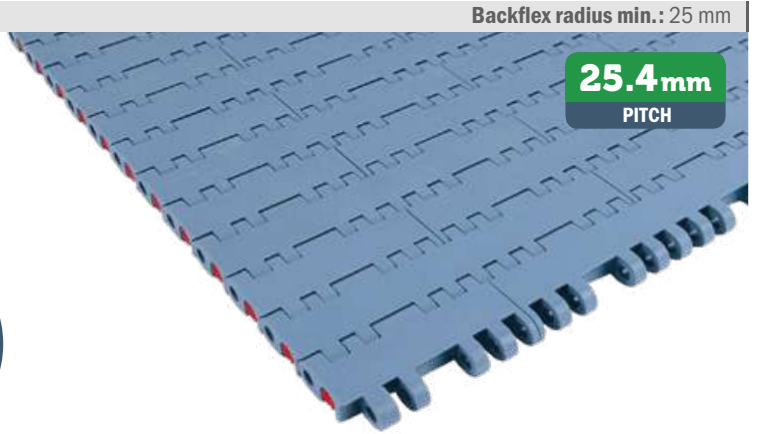
**CODE STRUCTURE GUIDE** (Example)

Backflex radius min.: 25 mm

|             |           |             |          |
|-------------|-----------|-------------|----------|
| <b>5341</b> | <b>01</b> | <b>0009</b> | <b>A</b> |
| Series      | *Material | Width       | Version  |

|   |   |
|---|---|
|  |  |
| pg. 325   | pg. 651>661   |

|                   |                    |
|-------------------|--------------------|
| <b>SAMPLE BOX</b> |                    |
| Art.-Nr.          | <b>5341018889A</b> |



**25.4 mm**  
PITCH

**\*Material**

**LFA - Code 01**  
Low friction Acetal

Easy Delivery

Max w. load: 41500 N/m  
Weight: 13,5 kg/m<sup>2</sup>  
Temp. range dry: -40+80 °C  
Temp. range wet: -40+65 °C  
Pin material: PBT white

**MX - Code 03**  
Performance PBT

Max w. load: 33500 N/m  
Weight: 13,0 kg/m<sup>2</sup>  
Temp. range dry: -40+120 °C  
Temp. range wet: -40+60 °C  
Pin material: POM grey

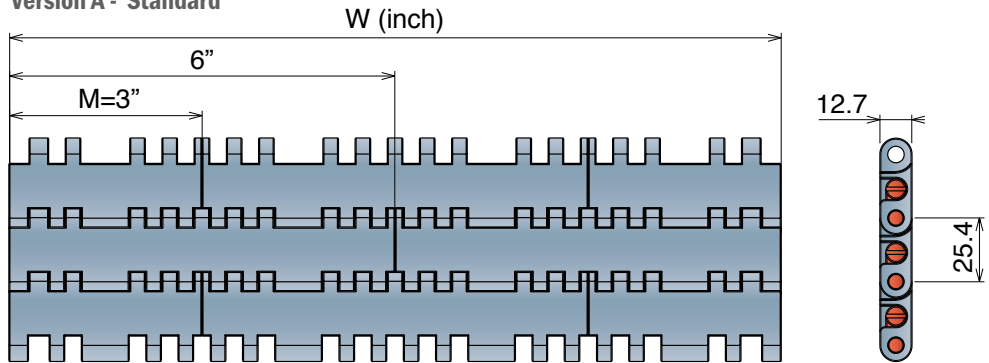
**MWX - Code 17**  
Polyamide Composite

Max w. load: 41500 N/m  
Weight: 14,0 kg/m<sup>2</sup>  
Temp. range dry: -40+104 °C  
Temp. range wet: NR  
Pin material: PBT white

**MPX - Code 25**  
Lubricated Acetal

Max w. load: 41500 N/m  
Weight: 13,5 kg/m<sup>2</sup>  
Temp. range dry: -40+80 °C  
Temp. range wet: -40+65 °C  
Pin material: PBT white

**Version A - Standard**



**Version A - Standard**

| Series | Material | Width | Version |
|--------|----------|-------|---------|
| 5341   | *        | 0009  | A       |
| 5341   | *        | 0012  | A       |
| 5341   | *        | 0015  | A       |
| 5341   | *        | 0018  | A       |
| 5341   | *        | 0021  | A       |
| 5341   | *        | 0024  | A       |
| 5341   | *        | 0027  | A       |
| 5341   | *        | 0030  | A       |
| 5341   | *        | 0033  | A       |
| 5341   | *        | 0036  | A       |
| 5341   | *        | 0039  | A       |
| 5341   | *        | 0042  | A       |
| 5341   | *        | 0045  | A       |
| 5341   | *        | 0048  | A       |
| 5341   | *        | 0051  | A       |
| 5341   | *        | 0054  | A       |

## 552 FT One track Belt

Tappeto Modulare 552 FT, H=12,7  
Modular Belt Series 552 FT, H=12,7 / Modulare Mattenkette 552 FT, H=12,7

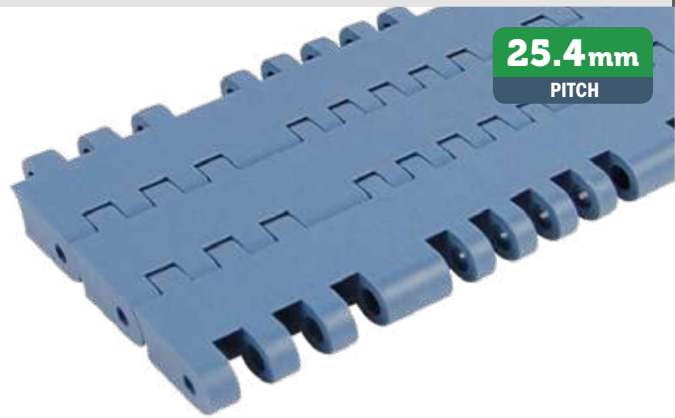
Imperial Size

### CODE STRUCTURE GUIDE (Example)

Backflex radius min.: 25 mm

|             |           |             |          |
|-------------|-----------|-------------|----------|
| <b>5341</b> | <b>01</b> | <b>0003</b> | <b>A</b> |
| Series      | *Material | Width       | Version  |

**25.4mm**  
PITCH



|         |             |
|---------|-------------|
|         |             |
| pg. 325 | pg. 651>661 |



### \*Material

#### LFA - Code 01

Low friction Acetal

Easy Delivery

**Max w. load:** See below  
**Weight:** 13,5 kg/m<sup>2</sup>  
**Temp. range dry:** -40+80 °C  
**Temp. range wet:** -40+65 °C  
**Pin material:** PBT white

#### MX - Code 03

Performance PBT

**Max w. load:** See below  
**Weight:** 13,0 kg/m<sup>2</sup>  
**Temp. range dry:** -40+120 °C  
**Temp. range wet:** -40+60 °C  
**Pin material:** POM grey

#### MWX - Code 17

Polyamide Composite

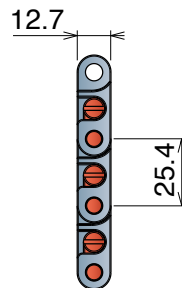
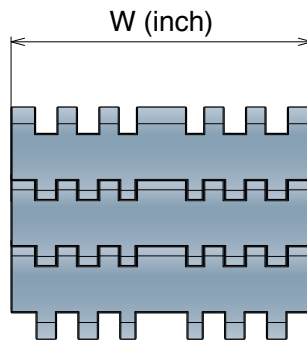
**Max w. load:** See below  
**Weight:** 14,0 kg/m<sup>2</sup>  
**Temp. range dry:** -40+104 °C  
**Temp. range wet:** NR  
**Pin material:** PBT white

#### MPX - Code 25

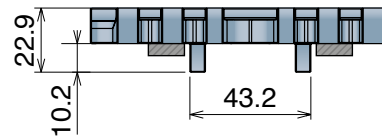
Lubricated Acetal

**Max w. load:** See below  
**Weight:** 13,5 kg/m<sup>2</sup>  
**Temp. range dry:** -40+80 °C  
**Temp. range wet:** -40+65 °C  
**Pin material:** PBT white

### Version A - Standard



### Version C - With 2 Positioner



### K300 - One track belt



| Series | Material | Width | Version |
|--------|----------|-------|---------|
| 5341   | *        | 0003  | A       |
| 5341   | *        | 0003  | C       |

### K325 - One track belt



| Series | Material | Width | Version |
|--------|----------|-------|---------|
| 5341   | *        | 9325  | A       |
| 5341   | *        | 9325  | C       |

### K450 - One track belt



| Series | Material | Width | Version |
|--------|----------|-------|---------|
| 5341   | *        | 9450  | A       |
| 5341   | *        | 9450  | C       |

### Max working load (N)

| Width | K300 | K325 | K450 |
|-------|------|------|------|
| LFA   | 3200 | 3400 | 4800 |
| MX    | 2500 | 2800 | 3800 |
| MWX   | 3200 | 3400 | 4800 |
| MPX   | 3200 | 3400 | 4800 |

| Width | K600 | K750 |
|-------|------|------|
| LFA   | 6200 | 7900 |
| MX    | 5100 | 6400 |
| MWX   | 6200 | 7900 |
| MPX   | 6200 | 7900 |

### K600 - One track belt



| Series | Material | Width | Version |
|--------|----------|-------|---------|
| 5341   | *        | 0006  | A       |
| 5341   | *        | 0006  | C       |

### K750 - One track belt



| Series | Material | Width | Version |
|--------|----------|-------|---------|
| 5341   | *        | 9750  | A       |
| 5341   | *        | 9750  | C       |

## 552 FTT

Tappeto Modulare 552 FTT, H=12,7  
Modular Belt Series 552 FTT, H=12,7 / Modulare Mattenkette 552 FTT, H=12,7

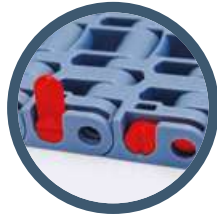
### CODE STRUCTURE GUIDE (Example)

Backflex radius min.: 25 mm

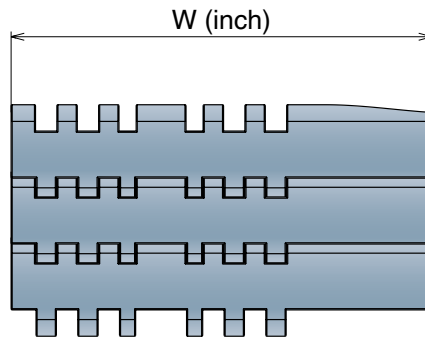
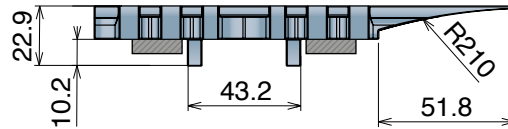
|             |           |             |            |
|-------------|-----------|-------------|------------|
| <b>5346</b> | <b>01</b> | <b>9450</b> | <b>C-R</b> |
| Series      | *Material | Width       | Version    |

|   |   |
|---|---|
|  |  |
| pg. 325   | pg. 651>661   |

**25.4 mm**  
PITCH

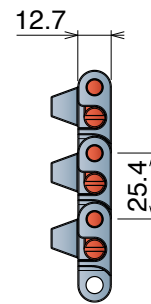


### 552 FTT - DX Version



### K450 / K750

| Series | Material | Width | Version | Total width |
|--------|----------|-------|---------|-------------|
| 5346   | *        | 9450  | C - R   | 160.3       |
| 5346   | *        | 9750  | C - R   | 237.4       |



#### \*Material

#### LFA - Code 01

Low friction Acetal

Max w. load: See below  
Weight: 13,5 kg/m<sup>2</sup>  
Temp. range dry: -40÷80 °C  
Temp. range wet: -40÷65 °C  
Pin material: PBT white

#### MX - Code 03

Performance PBT

Max w. load: See below  
Weight: 13,0 kg/m<sup>2</sup>  
Temp. range dry: -40÷120 °C  
Temp. range wet: -40÷60 °C  
Pin material: POM grey

#### MWX - Code 17

Polyamide Composite

Max w. load: See below  
Weight: 14,0 kg/m<sup>2</sup>  
Temp. range dry: -40÷104 °C  
Temp. range wet: NR  
Pin material: PBT white

#### MPX - Code 25

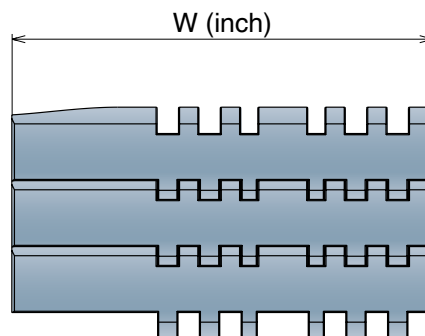
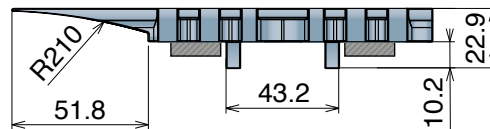
Lubricated Acetal

Max w. load: See below  
Weight: 13,5 kg/m<sup>2</sup>  
Temp. range dry: -40÷80 °C  
Temp. range wet: -40÷65 °C  
Pin material: PBT white

#### Max working load (N)

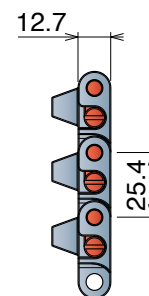
| Width | 450  | 750  |
|-------|------|------|
| LFA   | 4800 | 7900 |
| MX    | 3800 | 6400 |
| MWX   | 4800 | 7900 |
| MPX   | 4800 | 7900 |

### 552 FTT - SX Version



### K450 / K750

| Series | Material | Width | Version | Total width |
|--------|----------|-------|---------|-------------|
| 5346   | *        | 9450  | C - L   | 160.3       |
| 5346   | *        | 9750  | C - L   | 237.4       |

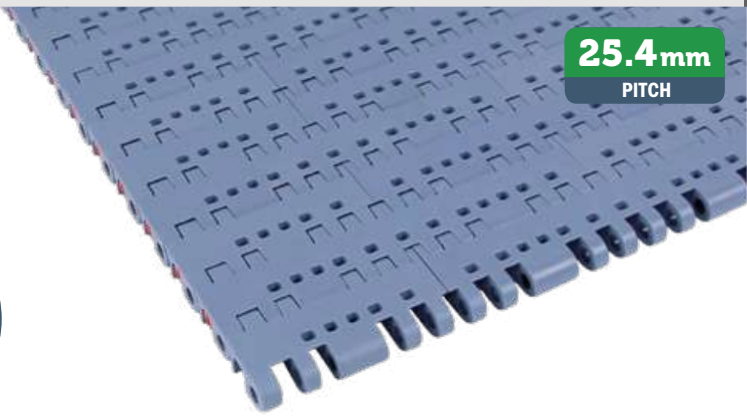


## 552 PT Open Surface 8% Tappeto Modulare 552 PT, H=12,7 M=3"

Modular Belt Series 552 PT, H=12,7 M=3" / Modulare Mattenkette 552 PT, H=12,7 M=3"

Imperial Size

| CODE STRUCTURE GUIDE (Example) |           |             |          | Backflex radius min.: 25 mm  |
|--------------------------------|-----------|-------------|----------|--|
| <b>5342</b>                    | <b>01</b> | <b>0009</b> | <b>A</b> | <div style="background-color: #28a745; color: white; padding: 5px; border-radius: 5px; display: inline-block;"> <b>25.4mm</b><br/>PITCH                 </div> |
| Series                         | *Material | Width       | Version  |  |





pg. 325



pg. 651>661

**SAMPLE BOX**

Art.-Nr. **5342018888A**



**\*Material**

**LFA - Code 01**  
*Low friction Acetal*

Max w. load: 41500 N/m  
 Weight: 13,2 kg/m<sup>2</sup>  
 Temp. range dry: -40÷80 °C  
 Temp. range wet: -40÷65 °C  
 Pin material: PBT white

**MX - Code 03**  
*Performance PBT*

Max w. load: 33500 N/m  
 Weight: 12,7 kg/m<sup>2</sup>  
 Temp. range dry: -40÷120 °C  
 Temp. range wet: -40÷60 °C  
 Pin material: POM grey

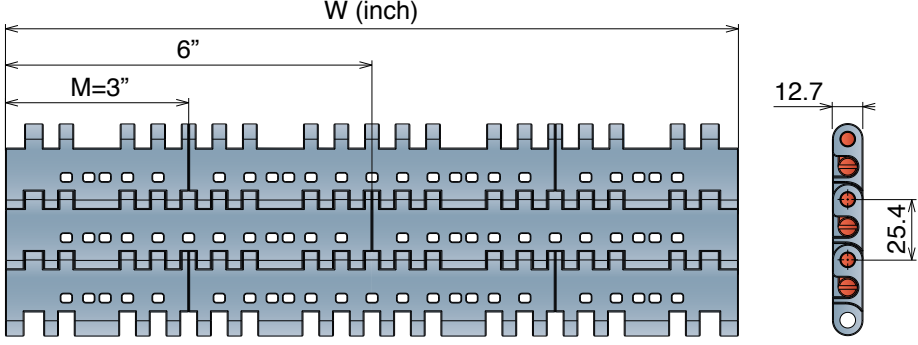
**MWX - Code 17**  
*Polyamide Composite*

Max w. load: 41500 N/m  
 Weight: 13,7 kg/m<sup>2</sup>  
 Temp. range dry: -40÷104 °C  
 Temp. range wet: NR  
 Pin material: PBT white

**MPX - Code 25**  
*Lubricated Acetal*

Max w. load: 41500 N/m  
 Weight: 13,2 kg/m<sup>2</sup>  
 Temp. range dry: -40÷80 °C  
 Temp. range wet: -40÷65 °C  
 Pin material: PBT white

**Version A - Standard**



**Version A - Standard**

| Series | Material | Width | Version |
|--------|----------|-------|---------|
| 5342   | *        | 0009  | A       |
| 5342   | *        | 0012  | A       |
| 5342   | *        | 0015  | A       |
| 5342   | *        | 0018  | A       |
| 5342   | *        | 0021  | A       |
| 5342   | *        | 0024  | A       |
| 5342   | *        | 0027  | A       |
| 5342   | *        | 0030  | A       |
| 5342   | *        | 0033  | A       |
| 5342   | *        | 0036  | A       |
| 5342   | *        | 0039  | A       |
| 5342   | *        | 0042  | A       |
| 5342   | *        | 0045  | A       |
| 5342   | *        | 0048  | A       |
| 5342   | *        | 0051  | A       |
| 5342   | *        | 0054  | A       |

# 552 PT One track Belt

Tappeti modulari / Modular belts / Mattenketten

Imperial Size



## 552 PT One track Belt Open Surface 8% Tappeto Modulare 552 PT, H=12,7 M=3" Modular Belt Series 552 PT, H=12,7 M=3" / Modulare Mattenkette 552 PT, H=12,7 M=3"

CODE STRUCTURE GUIDE (Example)

Backflex radius min.: 25 mm

|             |           |             |          |
|-------------|-----------|-------------|----------|
| <b>5342</b> | <b>01</b> | <b>0003</b> | <b>A</b> |
| Series      | *Material | Width       | Version  |

**25.4 mm**  
PITCH

|   |   |
|---|---|
|  |  |
| pg. 325   | pg. 651>661   |



### \*Material

#### LFA - Code 01

Low friction Acetal

**Max w. load:** See below  
**Weight:** 13,2 kg/m<sup>2</sup>  
**Temp. range dry:** -40+80 °C  
**Temp. range wet:** -40+65 °C  
**Pin material:** PBT white

#### MX - Code 03

Performance PBT

**Max w. load:** See below  
**Weight:** 12,7 kg/m<sup>2</sup>  
**Temp. range dry:** -40+120 °C  
**Temp. range wet:** -40+60 °C  
**Pin material:** POM grey

#### MWX - Code 17

Polyamide Composite

**Max w. load:** See below  
**Weight:** 13,7 kg/m<sup>2</sup>  
**Temp. range dry:** -40+104 °C  
**Temp. range wet:** NR  
**Pin material:** PBT white

#### MPX - Code 25

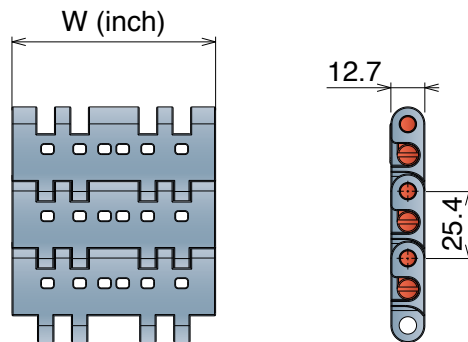
Lubricated Acetal

**Max w. load:** See below  
**Weight:** 13,2 kg/m<sup>2</sup>  
**Temp. range dry:** -40+80 °C  
**Temp. range wet:** -40+65 °C  
**Pin material:** PBT white

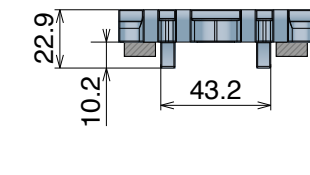
### Max working load (N)

| Width | 300  | 600  |
|-------|------|------|
| LFA   | 3200 | 6300 |
| MX    | 2500 | 5100 |
| MWX   | 3200 | 6300 |
| MPX   | 3200 | 6300 |

### Version A - Standard



### Version C - With 2 Positioner



### Version A - Standard

| Series | Material | Width | Version |
|--------|----------|-------|---------|
| 5342   | *        | 0003  | A       |
| 5342   | *        | 0006  | A       |

### Version C - With 2 Positioners

| Series | Material | Width | Version |
|--------|----------|-------|---------|
| 5342   | *        | 0003  | C       |
| 5342   | *        | 0006  | C       |

Tappeti modulari / Modular belts / Mattenketten

## 552 GT

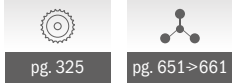
Tappeto Modulare 552 GT, H=12,7 M=3"  
Modular Belt Series 552 GT, H=12,7 M=3" / Modulare Mattenkette 552 GT, H=12,7 M=3"

Imperial Size

| CODE STRUCTURE GUIDE (Example) |           |       |         |
|--------------------------------|-----------|-------|---------|
| 5343                           | 01        | 0009  | A       |
| Series                         | *Material | Width | Version |

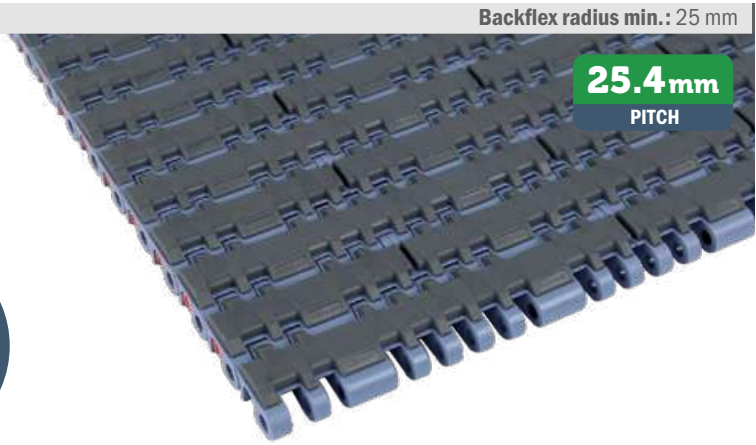
Backflex radius min.: 25 mm

**25.4mm**  
PITCH



pg. 325

pg. 651>661



### \*Material

#### LFA - Code 01

Low friction Acetal

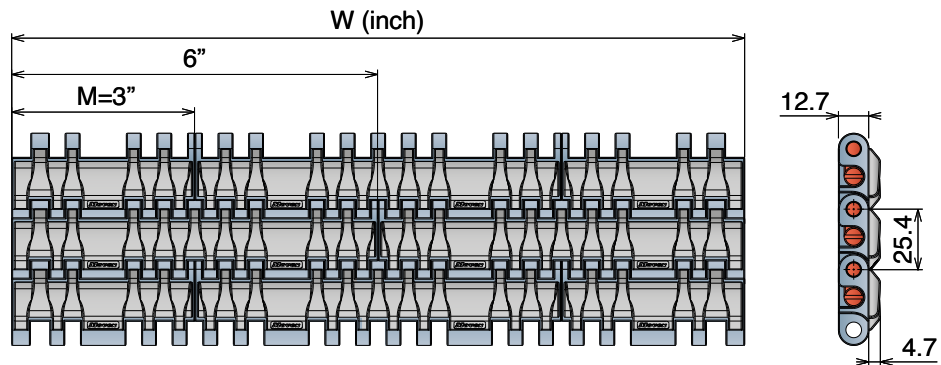
Max w. load: 41500 N/m  
Weight: 15,5 kg/m<sup>2</sup>  
Temp. range dry: -40÷80 °C  
Temp. range wet: -40÷65 °C  
Pin material: PBT white  
Top rubber: 50 Sha-Dark grey

#### PP - Code 02

Polypropylene

Max w. load: 27000 N/m  
Weight: 13,5 kg/m<sup>2</sup>  
Temp. range dry: 4÷80 °C  
Temp. range wet: 4÷80 °C  
Pin material: PP blue  
Top rubber: 50 Sha-Black

### Version A - Standard



### Version A - Standard

| Series | Material | Width | Version |
|--------|----------|-------|---------|
| 5343   | *        | 0009  | A       |
| 5343   | *        | 0012  | A       |
| 5343   | *        | 0015  | A       |
| 5343   | *        | 0018  | A       |
| 5343   | *        | 0021  | A       |
| 5343   | *        | 0024  | A       |
| 5343   | *        | 0027  | A       |
| 5343   | *        | 0030  | A       |
| 5343   | *        | 0033  | A       |
| 5343   | *        | 0036  | A       |
| 5343   | *        | 0039  | A       |
| 5343   | *        | 0042  | A       |
| 5343   | *        | 0045  | A       |
| 5343   | *        | 0048  | A       |
| 5343   | *        | 0051  | A       |
| 5343   | *        | 0054  | A       |



Rubber Thickness 4.7 mm

# 552 GT Side indent

Tappeti modulari / Modular belts / Mattenketten

Belts wider than standard are available with 3 inch increments

## 552 GT Side indent Tappeto Modulare 552 GT SI, H=12,7 M=3" / Modular Belt Series 552 GT SI, H=12,7 M=3" / Modulare Mattenkette 552 GT SI, H=12,7 M=3"

CODE STRUCTURE GUIDE (Example)

Backflex radius min.: 25 mm

|        |           |       |         |
|--------|-----------|-------|---------|
| 5345   | 01        | 0009  | A       |
| Series | *Material | Width | Version |

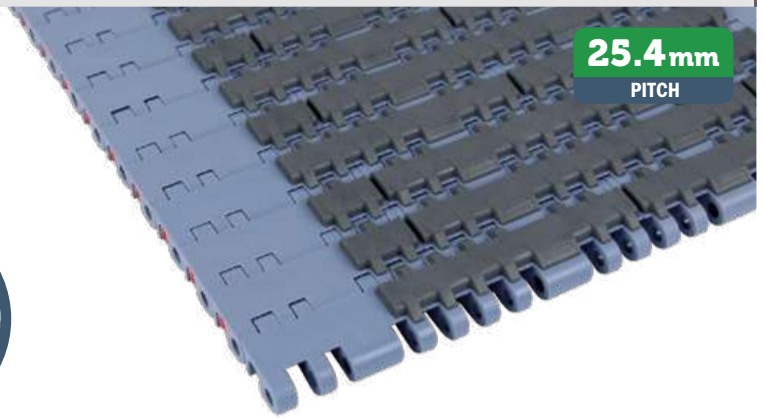
**25.4 mm**  
PITCH



pg. 325



pg. 651>661



Imperial Size

### \*Material

#### LFA - Code 01

Low friction Acetal

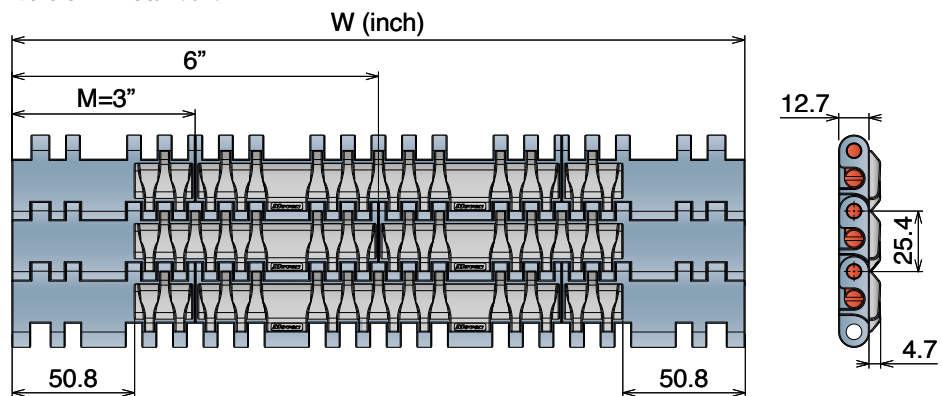
Max w. load: 41500 N/m  
Weight: 15,5 kg/m<sup>2</sup>  
Temp. range dry: -40+80 °C  
Temp. range wet: -40+65 °C  
Pin material: PBT white  
Top rubber: 50 ShA-Dark grey

#### PP - Code 02

Polypropylene

Max w. load: 27000 N/m  
Weight: 13,5 kg/m<sup>2</sup>  
Temp. range dry: 4+80 °C  
Temp. range wet: 4+80 °C  
Pin material: PP blue  
Top rubber: 50 ShA-Black

### Version A - Standard



### Version A - Standard

| Series | Material | Width | Version |
|--------|----------|-------|---------|
| 5345   | *        | 0009  | A       |
| 5345   | *        | 0012  | A       |
| 5345   | *        | 0015  | A       |
| 5345   | *        | 0018  | A       |
| 5345   | *        | 0021  | A       |
| 5345   | *        | 0024  | A       |
| 5345   | *        | 0027  | A       |
| 5345   | *        | 0030  | A       |
| 5345   | *        | 0033  | A       |
| 5345   | *        | 0036  | A       |
| 5345   | *        | 0039  | A       |
| 5345   | *        | 0042  | A       |
| 5345   | *        | 0045  | A       |
| 5345   | *        | 0048  | A       |
| 5345   | *        | 0051  | A       |
| 5345   | *        | 0054  | A       |



Rubber Thickness 4.7 mm

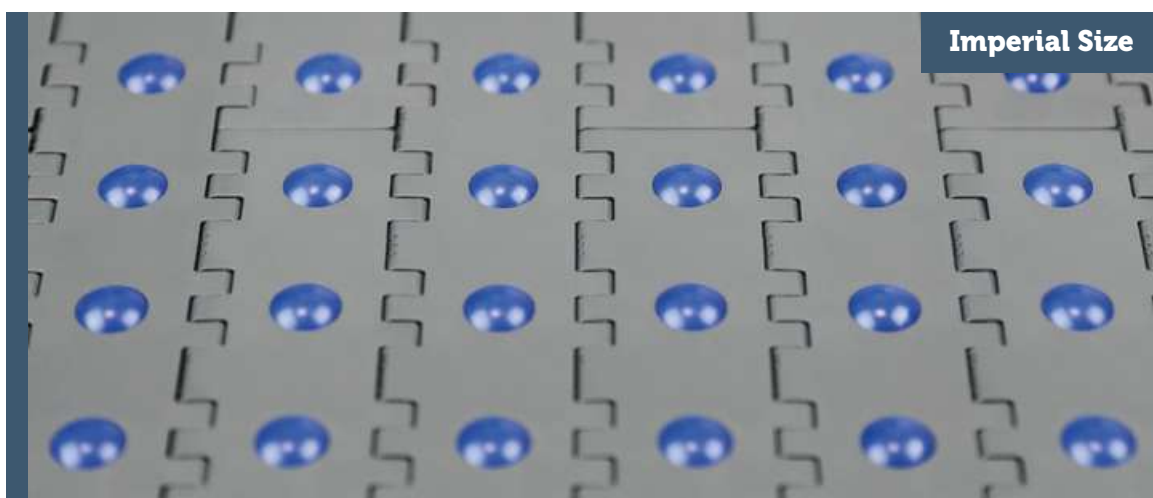
Tappeti modulari / Modular belts / Mattenketten



# 553 Series

# 553

Pitch 25,4 mm  
H= 8,7 mm



553 FLEXTOP

**Movex**<sup>®</sup>

**NEW 553 FLEX TOP** Tappeto Modulare 553 FLEXTOP, H=8,7 M=3"  
 Modular Belt Series 553 FLEXTOP, H=8,7 M=3" / Modulare Mattenkette 553 FLEXTOP, H=8,7 M=3"

Backflex radius min.: 25 mm

The new **Movex® 553 FlexTop** modular belt with self-locking spheres is specifically designed for high-precision material handling, suitable for several applications like logistic centers, packaging stations (food and beverage) and corrugated industries, easily to be integrated into existing systems. The 360° movement possibility makes the belt suitable for diverting, rotation, accumulation and acceleration applications and minimize required maintenance and downtimes. The small pitch between the spheres allows every type of product transfer and is ideal for small and light packages, unlike traditional roller conveyors.

The complete closed sliding belt surface is the perfect solution to carry carton boxes, crates, cans and bottles shrink-wrap packaging and any kind of polybag with Top-Accuracy package control. **553 FlexTop is best choice for material handling applications!**

**High strength**

Design and features of 553 FlexTop make it ideal for the transport of several type of products (e.g. polybags, shrink-wrap packaging).

**Perfect product control**

The small pitch between the spheres allows for a great product-control.

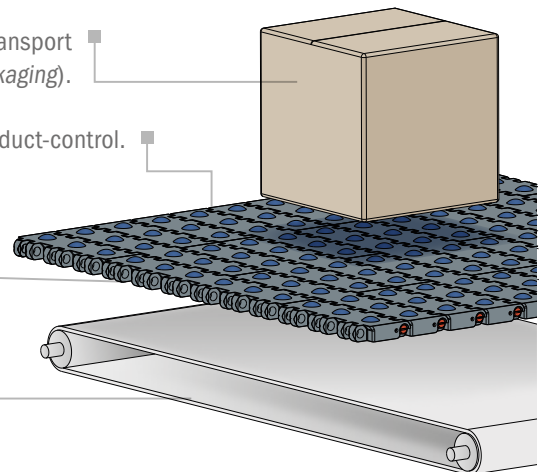
**Self cleaning**

A complete closed sliding surface, in combination with self-locking spheres, makes the belt design flexible and robust.

**Great versatility**

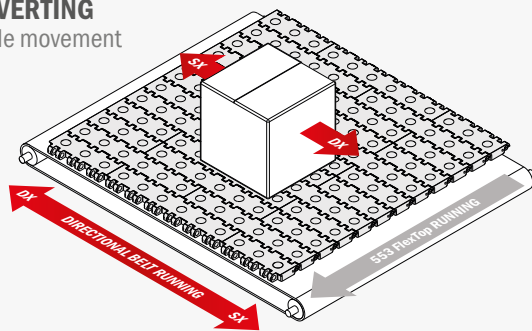
The directional belt underneath the flextop belt controls the direction and the speed of the spheres, making this belt 100% versatile.

**Long durability**



**DIVERTING**

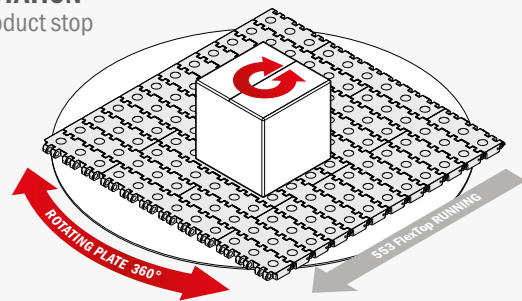
Side movement



By using a directional belt underneath the Flextop belt, running square to the travel direction, the product can be transferred left and right.

**ROTATION**

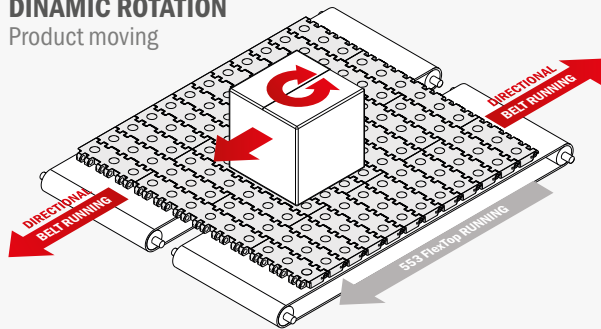
Product stop



By using a rotating plate underneath the Flextop belt, sphere can rotate by 360°. This option can be used with product stopped or running on the belt, to easily positioning the product.

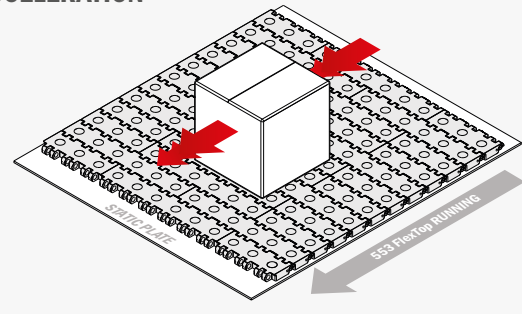
**DINAMIC ROTATION**

Product moving



By using two auxiliary belts underneath the Flextop belt, running at opposite direction, the product will start rotating. With this option the Flextop belt can keep running.

**ACCELERATION**



By using a static plate underneath the Flextop belt, spheres will start rotating independently, so the speed of the product will result double than the speed of the belt itself.

**PATENTED**

Belts wider than standard are available with 3 inch increments

# 553 FLEX TOP

Tappeti modulari / Modular belts / Mattenketten

**NEW**

## 553 FLEX TOP Tappeto Modulare 553 FLEXTOP, H=8,7 M=3"

Modular Belt Series 553 FLEXTOP, H=8,7 M=3" / Modulare Mattenkette 553 FLEXTOP, H=8,7 M=3"

### CODE STRUCTURE GUIDE (Example)

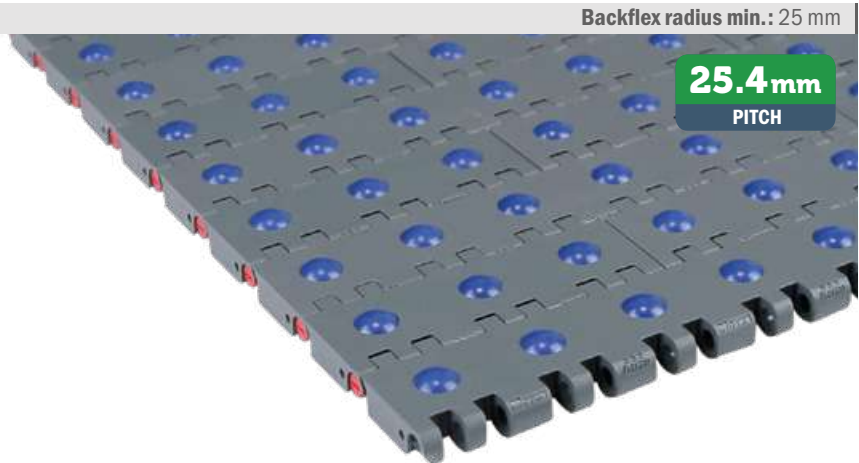
Backflex radius min.: 25 mm

|             |           |             |          |
|-------------|-----------|-------------|----------|
| <b>5530</b> | <b>27</b> | <b>0003</b> | <b>A</b> |
| Series      | *Material | Width       | Version  |

|   |                 |   |
|---|-----------------|---|
|  | 553<br>Sorter + |  |
| pg. 326   | pg. 301         | pg. 651>661   |

### SAMPLE BOX

Art.-Nr. **5530018888A**



Imperial Size

### \*Material

#### LFG - Code 27

Low friction Acetal

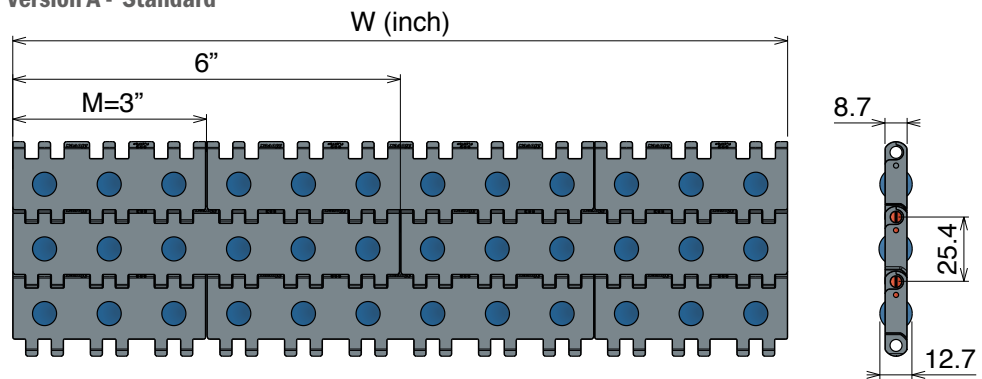
Max w. load: 27500 N/m  
 Weight: 10,0 kg/m<sup>2</sup>  
 Temp. range dry: -40÷80 °C  
 Temp. range wet: -40÷65 °C  
 Pin material: PBT white

### Sphere Material

#### High-tech polyamide

Max w. load: 15 N  
 Sphere diameter: 12,7 mm

### Version A - Standard



### Version A - Standard

| Series | Material | Width | Version | Series | Material | Width | Version |
|--------|----------|-------|---------|--------|----------|-------|---------|
| 5530   | *        | 0003  | A       | 5530   | *        | 0060  | A       |
| 5530   | *        | 0006  | A       | 5530   | *        | 0063  | A       |
| 5530   | *        | 0009  | A       | 5530   | *        | 0066  | A       |
| 5530   | *        | 0012  | A       | 5530   | *        | 0069  | A       |
| 5530   | *        | 0015  | A       | 5530   | *        | 0072  | A       |
| 5530   | *        | 0018  | A       | 5530   | *        | 0075  | A       |
| 5530   | *        | 0021  | A       | 5530   | *        | 0078  | A       |
| 5530   | *        | 0024  | A       | 5530   | *        | 0081  | A       |
| 5530   | *        | 0027  | A       | 5530   | *        | 0084  | A       |
| 5530   | *        | 0030  | A       | 5530   | *        | 0087  | A       |
| 5530   | *        | 0033  | A       | 5530   | *        | 0090  | A       |
| 5530   | *        | 0036  | A       | 5530   | *        | 0093  | A       |
| 5530   | *        | 0039  | A       | 5530   | *        | 0096  | A       |
| 5530   | *        | 0042  | A       | 5530   | *        | 0099  | A       |
| 5530   | *        | 0045  | A       | 5530   | *        | 0102  | A       |
| 5530   | *        | 0048  | A       | 5530   | *        | 0105  | A       |
| 5530   | *        | 0051  | A       | 5530   | *        | 0108  | A       |
| 5530   | *        | 0054  | A       | 5530   | *        | 0111  | A       |
| 5530   | *        | 0057  | A       | 5530   | *        | 0114  | A       |

Continue >>



 **PATENTED CLOSED GAP**

Patented closed gap helps reducing maintenance frequency and increasing productivity.

# 556

Pitch 25,4 mm  
H= 12,7 mm



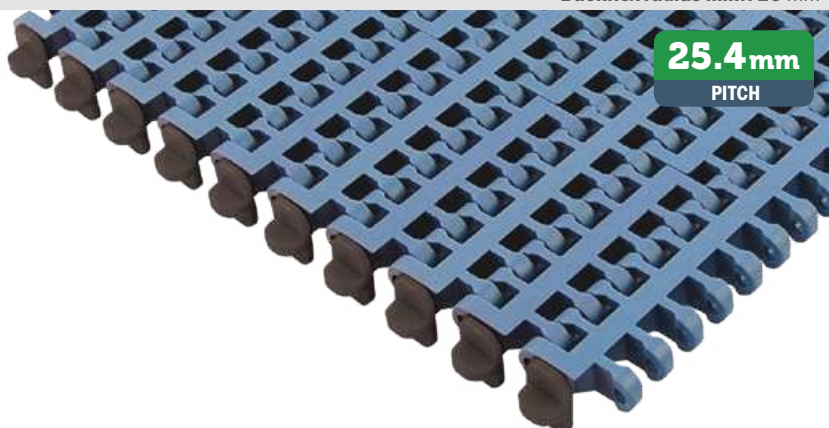
556 FT  
556 GT

## 556 FT Open Surface 25% Tappeto Modulare Curvilineo Serie 556 FT, H=12,7 M=3” Side Flex Modular Belt Series 556 FT, H=12,7 M=3” / Kurvengängige Mattenkette Serie 556 FT, H=12,7 M=3”

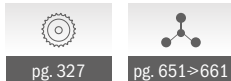
### CODE STRUCTURE GUIDE (Example)

Backflex radius min.: 25 mm

|             |           |             |          |
|-------------|-----------|-------------|----------|
| <b>5431</b> | <b>01</b> | <b>0009</b> | <b>A</b> |
| Series      | *Material | Width       | Version  |

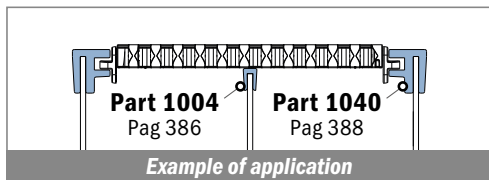


Imperial Size



pg. 327

pg. 651>661



### \*Material

#### LFA - Code 01

Low friction Acetal

#### Max w. load:

Straight: 30000 N/m  
Curve: 2000 N  
Weight: 7,5 kg/m<sup>2</sup>  
Temp. range dry: -40÷80 °C  
Temp. range wet: -40÷65 °C  
Pin material: PBT white

#### LFB - Code 23

Low friction Acetal

#### Max w. load:

Straight: 30000 N/m  
Curve: 2000 N  
Weight: 7,5 kg/m<sup>2</sup>  
Temp. range dry: -40÷80 °C  
Temp. range wet: -40÷65 °C  
Pin material: PBT white

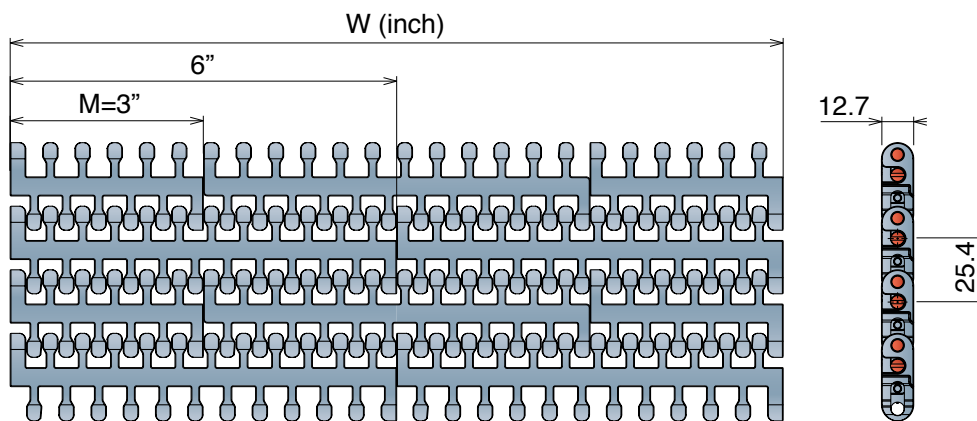
#### PPB - Code 24

Polypropylene

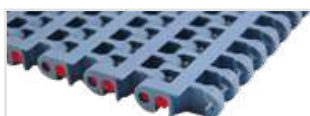
#### Max w. load:

Straight: 19500 N/m  
Curve: 1300 N  
Weight: 5,8 kg/m<sup>2</sup>  
Temp. range dry: 4÷104 °C  
Temp. range wet: 4÷104 °C  
Pin material: PP blu

**THE BEST CHOICE FOR  
FOOD CONTACT APPLICATION**

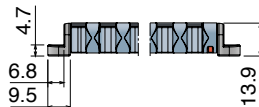


#### STANDARD



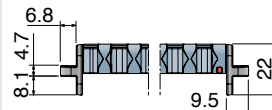
| Series | Material | Width | Version | min radius |
|--------|----------|-------|---------|------------|
| 5431   | *        | 0003  | A       | 145        |
| 5431   | *        | 0006  | A       | 290        |
| 5431   | *        | 0009  | A       | 435        |
| 5431   | *        | 0012  | A       | 580        |
| 5431   | *        | 0015  | A       | 725        |
| 5431   | *        | 0018  | A       | 890        |
| 5431   | *        | 0021  | A       | 1040       |
| 5431   | *        | 0024  | A       | 1250       |

#### TAB



| Series | Material | Width | Version | min radius |
|--------|----------|-------|---------|------------|
| 5431   | *        | 0003  | B       | 145        |
| 5431   | *        | 0006  | B       | 290        |
| 5431   | *        | 0009  | B       | 435        |
| 5431   | *        | 0012  | B       | 580        |
| 5431   | *        | 0015  | B       | 725        |
| 5431   | *        | 0018  | B       | 890        |
| 5431   | *        | 0021  | B       | 1040       |
| 5431   | *        | 0024  | B       | 1250       |

#### TAB/POSITIONER



| Series | Material | Width | Version | min radius |
|--------|----------|-------|---------|------------|
| 5431   | *        | 0003  | C       | 145        |
| 5431   | *        | 0006  | C       | 290        |
| 5431   | *        | 0009  | C       | 435        |
| 5431   | *        | 0012  | C       | 580        |
| 5431   | *        | 0015  | C       | 725        |
| 5431   | *        | 0018  | C       | 890        |
| 5431   | *        | 0021  | C       | 1040       |
| 5431   | *        | 0024  | C       | 1250       |

## 556 GT Open Surface 25% Tappeto Modulare Curvilineo Serie 556 GT, H=12,7 M=3"

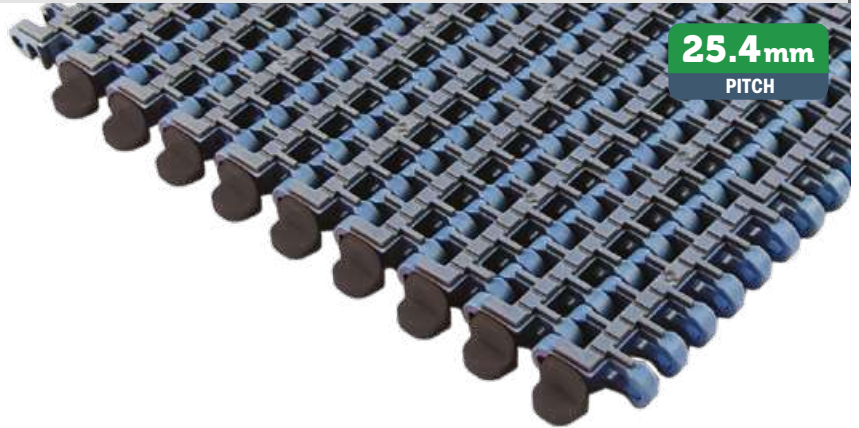
Side Flex Modular Belt Series 556 GT, H=12,7 M=3" / Kurvengängige Mattenkette Serie 556 GT, H=12,7 M=3"

CODE STRUCTURE GUIDE (Example)

Backflex radius min.: 25 mm

|             |           |             |          |
|-------------|-----------|-------------|----------|
| <b>5433</b> | <b>01</b> | <b>0009</b> | <b>A</b> |
| Series      | *Material | Width       | Version  |

**25.4mm**  
PITCH



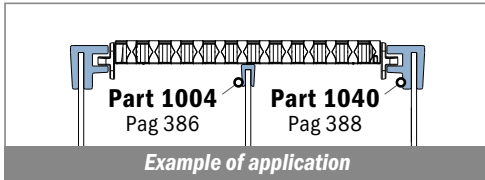
Imperial Size



pg. 327



pg. 651>661



**\*Material**

**LFA - Code 01**

Low friction Acetal

**Max w. load:**

Straight: 30000 N/m  
Curve: 2000 N  
**Weight:** 7,7 kg/m<sup>2</sup>  
**Temp. range dry:** -40÷80 °C  
**Temp. range wet:** -40÷65 °C  
**Pin material:** PBT white  
**Top rubber:** 50 ShA-Dark grey

**LFB - Code 23**

Low friction Acetal

**Max w. load:**

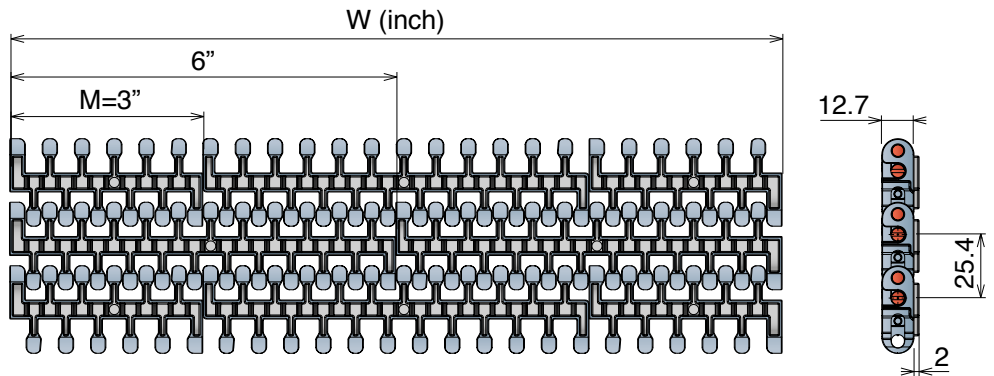
Straight: 30000 N/m  
Curve: 2000 N  
**Weight:** 7,7 kg/m<sup>2</sup>  
**Temp. range dry:** -40÷80 °C  
**Temp. range wet:** -40÷65 °C  
**Pin material:** PBT white  
**Top rubber:** 50 ShA-Black

**PPB - Code 24**

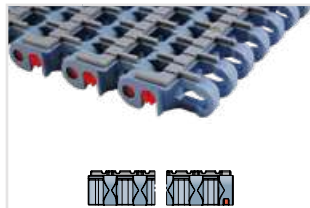
Polypropylene

**Max w. load:**

Straight: 19500 N/m  
Curve: 1300 N  
**Weight:** 5,8 kg/m<sup>2</sup>  
**Temp. range dry:** 4÷104 °C  
**Temp. range wet:** 4÷104 °C  
**Pin material:** PP blu  
**Top rubber:** 50 ShA-Black

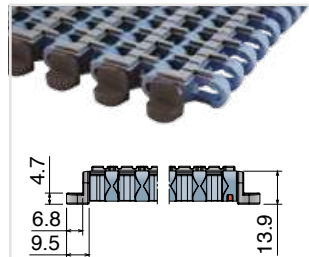


**STANDARD**



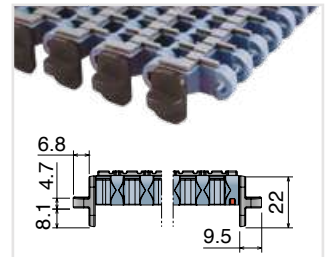
| Series | Material | Width | Version | min radius |
|--------|----------|-------|---------|------------|
| 5433   | *        | 0003  | A       | 145        |
| 5433   | *        | 0006  | A       | 290        |
| 5433   | *        | 0009  | A       | 435        |
| 5433   | *        | 0012  | A       | 580        |
| 5433   | *        | 0015  | A       | 725        |
| 5433   | *        | 0018  | A       | 890        |
| 5433   | *        | 0021  | A       | 1040       |
| 5433   | *        | 0024  | A       | 1250       |

**TAB**



| Series | Material | Width | Version | min radius |
|--------|----------|-------|---------|------------|
| 5433   | *        | 0003  | B       | 145        |
| 5433   | *        | 0006  | B       | 290        |
| 5433   | *        | 0009  | B       | 435        |
| 5433   | *        | 0012  | B       | 580        |
| 5433   | *        | 0015  | B       | 725        |
| 5433   | *        | 0018  | B       | 890        |
| 5433   | *        | 0021  | B       | 1040       |
| 5433   | *        | 0024  | B       | 1250       |

**TAB/POSITIONER**



| Series | Material | Width | Version | min radius |
|--------|----------|-------|---------|------------|
| 5433   | *        | 0003  | C       | 145        |
| 5433   | *        | 0006  | C       | 290        |
| 5433   | *        | 0009  | C       | 435        |
| 5433   | *        | 0012  | C       | 580        |
| 5433   | *        | 0015  | C       | 725        |
| 5433   | *        | 0018  | C       | 890        |
| 5433   | *        | 0021  | C       | 1040       |
| 5433   | *        | 0024  | C       | 1250       |

# 600

Pitch 31,75 mm

H= 12,7 mm



**600 Standard**

**600 Heavy duty**

**600 Heavy duty  
with Bearings**

**600 Small radius**

**600 Heavy duty/Small radius**

**600 Heavy duty/Small radius  
with Bearings**

**600 with pusher**

**1047 Heavy duty guide**

## 600 Standard

Tappeto Modulare Curvilineo Serie 600, H=12,7 M=85

Side Flex Modular Belt Series 600, H=12,7 M=85 / Kurvengängige Mattenkette Serie 600, H=12,7 M=85

CODE STRUCTURE GUIDE (Example)

Backflex radius min.: 25 mm

|             |           |             |          |
|-------------|-----------|-------------|----------|
| <b>5421</b> | <b>01</b> | <b>0255</b> | <b>A</b> |
| Series      | *Material | Width       | Version  |

**29.5%**  
OPEN SURFACE

**31.75 mm**  
PITCH

|   |   |   |
|---|---|---|
|  |  |  |
| pg. 330   | pg. 170/171   | pg. 651-661   |



Metric Size

\*Material

### LFA - Code 01

Low friction Acetal

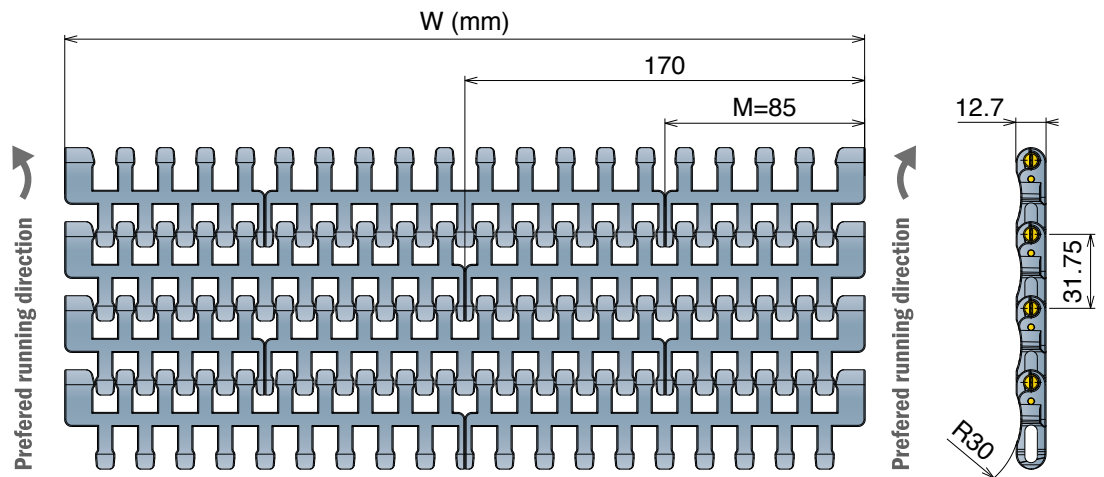
**Max w. load:**  
Straight 30000 N/m  
Curve 2500 N  
**Weight:** 7,7 kg/m<sup>2</sup>  
**Temp. range dry:** -40+80 °C  
**Temp. range wet:** -40+65 °C  
**Pin material:** PBT white

### LFB - Code 23

Low friction Acetal

**Max w. load:**  
Straight 30000 N/m  
Curve 2500 N  
**Weight:** 7,7 kg/m<sup>2</sup>  
**Temp. range dry:** -40+80 °C  
**Temp. range wet:** -40+65 °C  
**Pin material:** PBT white

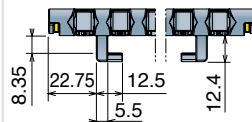
**Internal Min Radius**  
2 times the width



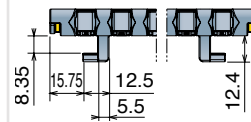
#### STANDARD



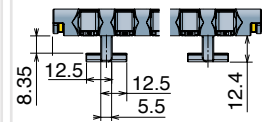
#### TAB



#### REVERSE TAB



#### TAB REVERSE TAB



| Series | Material | Width | Version | min radius |
|--------|----------|-------|---------|------------|
| 5421   | *        | 0255  | A       | 510        |
| 5421   | *        | 0340  | A       | 680        |
| 5421   | *        | 0425  | A       | 850        |
| 5421   | *        | 0510  | A       | 1020       |
| 5421   | *        | 0595  | A       | 1190       |
| 5421   | *        | 0680  | A       | 1360       |
| 5421   | *        | 0765  | A       | 1530       |
| 5421   | *        | 0850  | A       | 1700       |
| 5421   | *        | 0255  | B       | 510        |
| 5421   | *        | 0340  | B       | 680        |
| 5421   | *        | 0425  | B       | 850        |
| 5421   | *        | 0510  | B       | 1020       |
| 5421   | *        | 0595  | B       | 1190       |
| 5421   | *        | 0680  | B       | 1360       |
| 5421   | *        | 0765  | B       | 1530       |
| 5421   | *        | 0850  | B       | 1700       |
| 5421   | *        | 0255  | C       | 510        |
| 5421   | *        | 0340  | C       | 680        |
| 5421   | *        | 0425  | C       | 850        |
| 5421   | *        | 0510  | C       | 1020       |
| 5421   | *        | 0595  | C       | 1190       |
| 5421   | *        | 0680  | C       | 1360       |
| 5421   | *        | 0765  | C       | 1530       |
| 5421   | *        | 0850  | C       | 1700       |
| 5421   | *        | 0255  | D       | 510        |
| 5421   | *        | 0340  | D       | 680        |
| 5421   | *        | 0425  | D       | 850        |
| 5421   | *        | 0510  | D       | 1020       |
| 5421   | *        | 0595  | D       | 1190       |
| 5421   | *        | 0680  | D       | 1360       |
| 5421   | *        | 0765  | D       | 1530       |
| 5421   | *        | 0850  | D       | 1700       |



## 600 Heavy duty Tappeto Modulare Curvilineo Serie 600, H=12,7 M=85 Side Flex Modular Belt Series 600, H=12,7 M=85 / Kurvengängige Mattenkette Serie 600, H=12,7 M=85

CODE STRUCTURE GUIDE (Example)

Backflex radius min.: 25 mm

|        |           |       |         |
|--------|-----------|-------|---------|
| 5422   | 01        | 0255  | E       |
| Series | *Material | Width | Version |

**27.5%**  
OPEN SURFACE

**31.75mm**  
PITCH

|         |         |             |
|---------|---------|-------------|
|         |         |             |
| pg. 330 | pg. 172 | pg. 651>661 |

**RANGE EXTENSION**



Metric Size

\*Material

### LFA - Code 01

Low friction Acetal

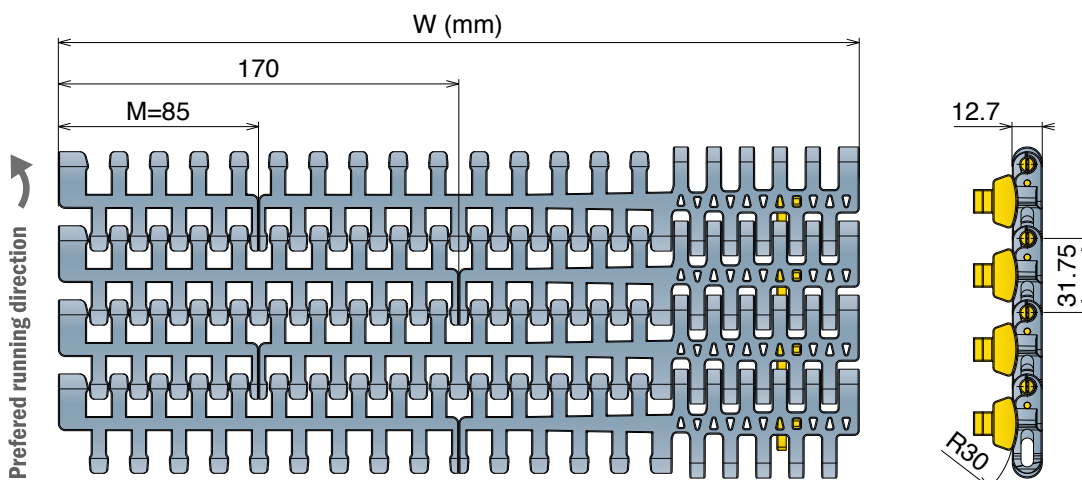
**Max w. load:**  
Straight 30000 N/m  
Curve 3500 N  
**Weight:** 8,3 kg/m<sup>2</sup>  
**Temp. range dry:** -40÷80 °C  
**Temp. range wet:** -40÷65 °C  
**Pin material:** PBT white

### LFB - Code 23

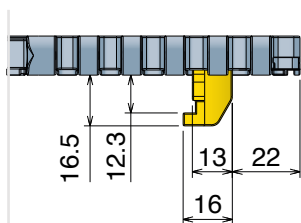
Low friction Acetal

**Max w. load:**  
Straight 30000 N/m  
Curve 3500 N  
**Weight:** 8,3 kg/m<sup>2</sup>  
**Temp. range dry:** -40÷80 °C  
**Temp. range wet:** -40÷65 °C  
**Pin material:** PBT white

Internal Min Radius  
2 times the width



STANDARD



| Series | Material | Width | Version | min radius |
|--------|----------|-------|---------|------------|
| 5422   | *        | 0255  | E       | 510        |
| 5422   | *        | 0340  | E       | 680        |
| 5422   | *        | 0425  | E       | 850        |
| 5422   | *        | 0510  | E       | 1020       |
| 5422   | *        | 0595  | E       | 1190       |
| 5422   | *        | 0680  | E       | 1360       |
| 5422   | *        | 0765  | E       | 1530       |
| 5422   | *        | 0850  | E       | 1700       |

TAB DKM Material



# 600 Heavy duty with Bearings

Tappeti modulari / Modular belts / Mattenketten

Belts wider than standard are available with 85 mm increments

## 600 Heavy duty with Bearings

Tappeto Modulare Curvilineo Serie 600, H=12,7 M=85  
Side Flex Modular Belt Series 600, H=12,7 M=85 / Kurvengängige Mattenkette Serie 600, H=12,7 M=85

CODE STRUCTURE GUIDE (Example)

Backflex radius min.: 25 mm

|             |           |             |          |
|-------------|-----------|-------------|----------|
| <b>5422</b> | <b>01</b> | <b>0340</b> | <b>F</b> |
| Series      | *Material | Width       | Version  |

**27.5%**  
OPEN SURFACE

**31.75 mm**  
PITCH

|   |   |   |
|---|---|---|
|  |  |  |
| pg. 330   | pg. 173   | pg. 651>661   |

**RANGE EXTENSION**



Metric Size

\*Material

### LFA - Code 01

Low friction Acetal

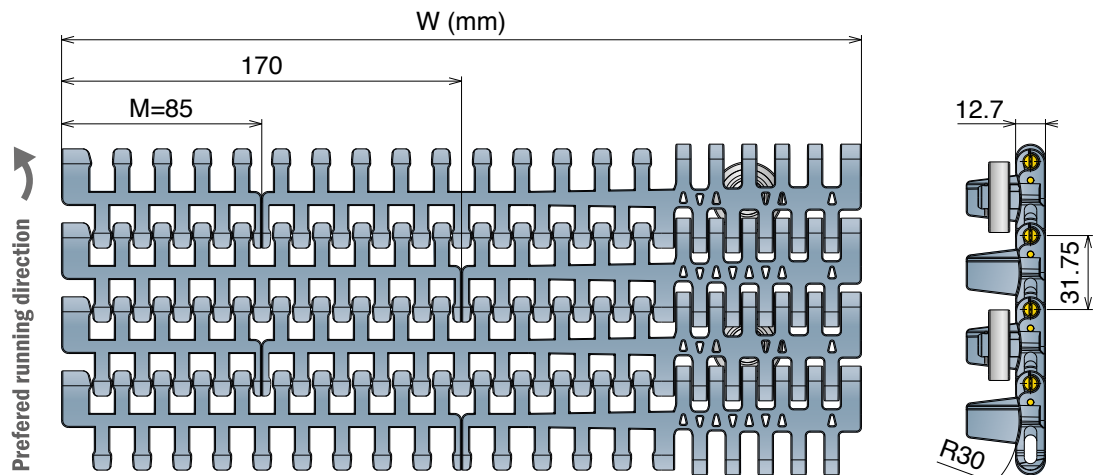
**Max w. load:**  
Straight 30000 N/m  
Curve 3500 N  
**Weight:** 9,0 kg/m<sup>2</sup>  
**Temp. range dry:** -40+80 °C  
**Temp. range wet:** -40+65 °C  
**Pin material:** PBT white

### LFB - Code 23

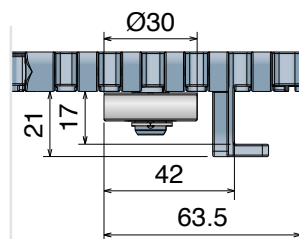
Low friction Acetal

**Max w. load:**  
Straight 30000 N/m  
Curve 3500 N  
**Weight:** 9,0 kg/m<sup>2</sup>  
**Temp. range dry:** -40+80 °C  
**Temp. range wet:** -40+65 °C  
**Pin material:** PBT white

Internal Min Radius  
2 times the width



STANDARD



| Series | Material | Width | Version | min radius |
|--------|----------|-------|---------|------------|
| 5422   | *        | 0255  | F       | 510        |
| 5422   | *        | 0340  | F       | 680        |
| 5422   | *        | 0425  | F       | 850        |
| 5422   | *        | 0510  | F       | 1020       |
| 5422   | *        | 0595  | F       | 1190       |
| 5422   | *        | 0680  | F       | 1360       |
| 5422   | *        | 0765  | F       | 1530       |
| 5422   | *        | 0850  | F       | 1700       |

**Bearing Zoom**



## 600 Small radius

Tappeto Modulare Curvilineo Serie 600, H=12,7 M=85  
Side Flex Modular Belt Series 600, H=12,7 M=85 / Kurvengängige Mattenkette Serie 600, H=12,7 M=85

CODE STRUCTURE GUIDE (Example)

Backflex radius min.: 25 mm

|             |           |             |          |
|-------------|-----------|-------------|----------|
| <b>5423</b> | <b>01</b> | <b>0340</b> | <b>A</b> |
| Series      | *Material | Width       | Version  |

**29.5%**  
OPEN SURFACE

**31.75 mm**  
PITCH

|             |             |             |
|-------------|-------------|-------------|
|             |             |             |
| pg. 330-331 | pg. 170/171 | pg. 651>661 |



Metric Size

\*Material

### LFA - Code 01

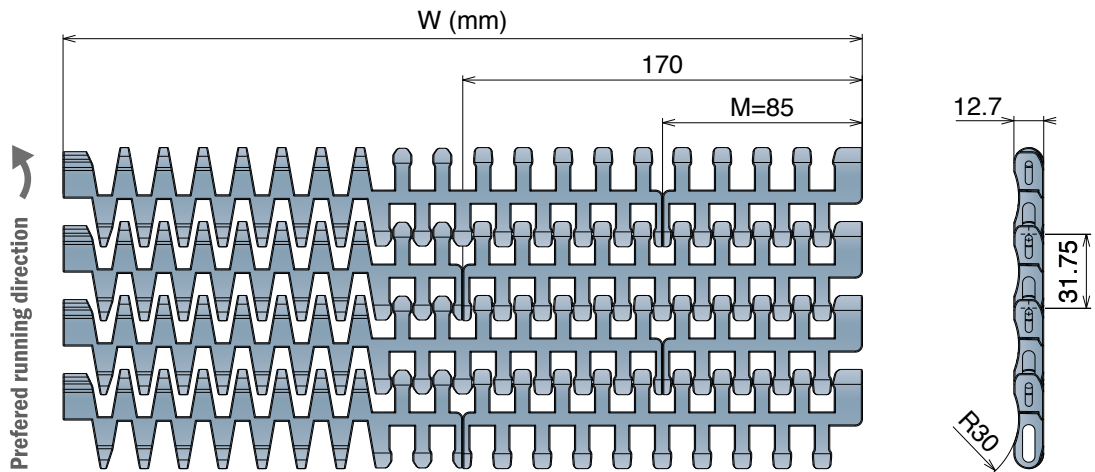
Low friction Acetal

**Max w. load:**  
Straight 30000 N/m  
Curve 2500 N  
**Weight:** 7.0 kg/m<sup>2</sup>  
**Temp. range dry:** -40÷80 °C  
**Temp. range wet:** -40÷65 °C  
**Pin material:** PBT white

### LFB - Code 23

Low friction Acetal

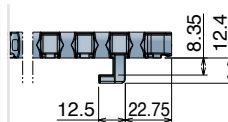
**Max w. load:**  
Straight 30000 N/m  
Curve 2500 N  
**Weight:** 7.0 kg/m<sup>2</sup>  
**Temp. range dry:** -40÷80 °C  
**Temp. range wet:** -40÷65 °C  
**Pin material:** PBT white



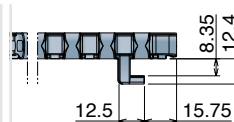
#### STANDARD



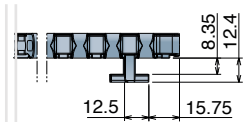
#### TAB



#### REVERSE TAB



#### TAB REVERSE TAB



| Series | Material | Width | Version | min radius |
|--------|----------|-------|---------|------------|
| 5423   | *        | 0340  | A       | 400        |
| 5423   | *        | 0425  | A       | 500        |
| 5423   | *        | 0510  | A       | 600        |
| 5423   | *        | 0595  | A       | 720        |
| 5423   | *        | 0680  | A       | 880        |
| 5423   | *        | 0765  | A       | 1040       |
| 5423   | *        | 0850  | A       | 1200       |
| 5423   | *        | 0340  | B       | 400        |
| 5423   | *        | 0425  | B       | 500        |
| 5423   | *        | 0510  | B       | 600        |
| 5423   | *        | 0595  | B       | 720        |
| 5423   | *        | 0680  | B       | 880        |
| 5423   | *        | 0765  | B       | 1040       |
| 5423   | *        | 0850  | B       | 1200       |
| 5423   | *        | 0340  | C       | 400        |
| 5423   | *        | 0425  | C       | 500        |
| 5423   | *        | 0510  | C       | 600        |
| 5423   | *        | 0595  | C       | 720        |
| 5423   | *        | 0680  | C       | 880        |
| 5423   | *        | 0765  | C       | 1040       |
| 5423   | *        | 0850  | C       | 1200       |
| 5423   | *        | 0340  | D       | 400        |
| 5423   | *        | 0425  | D       | 500        |
| 5423   | *        | 0510  | D       | 600        |
| 5423   | *        | 0595  | D       | 720        |
| 5423   | *        | 0680  | D       | 880        |
| 5423   | *        | 0765  | D       | 1040       |
| 5423   | *        | 0850  | D       | 1200       |

# 600 Heavy duty/Small radius

Tappeti modulari / Modular belts / Mattenketten

Belts wider than standard are available with 85 mm increments

## 600 Heavy duty/Small radius

Tappeto Modulare Curvilineo Serie 600, H=12,7 M=170  
Side Flex Modular Belt Series 600, H=12,7 M=170 / Kurvengängige Mattenkette Serie 600, H=12,7 M=170

CODE STRUCTURE GUIDE (Example)

Backflex radius min.: 25 mm

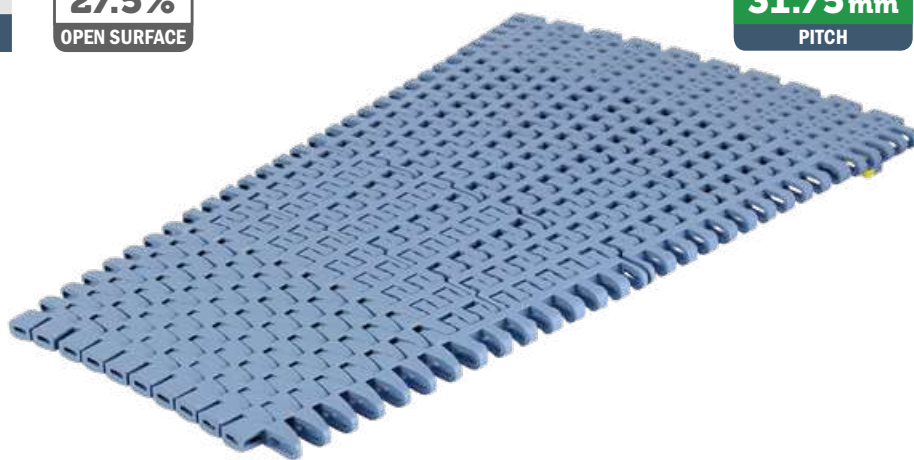
|             |           |             |          |
|-------------|-----------|-------------|----------|
| <b>5424</b> | <b>01</b> | <b>0425</b> | <b>E</b> |
| Series      | *Material | Width       | Version  |

**27.5%**  
OPEN SURFACE

**31.75 mm**  
PITCH

|   |   |   |
|---|---|---|
|  |  |  |
| pg. 330-331   | pg. 172   | pg. 651->661  |

**RANGE EXTENSION**



\*Material

### LFA - Code 01

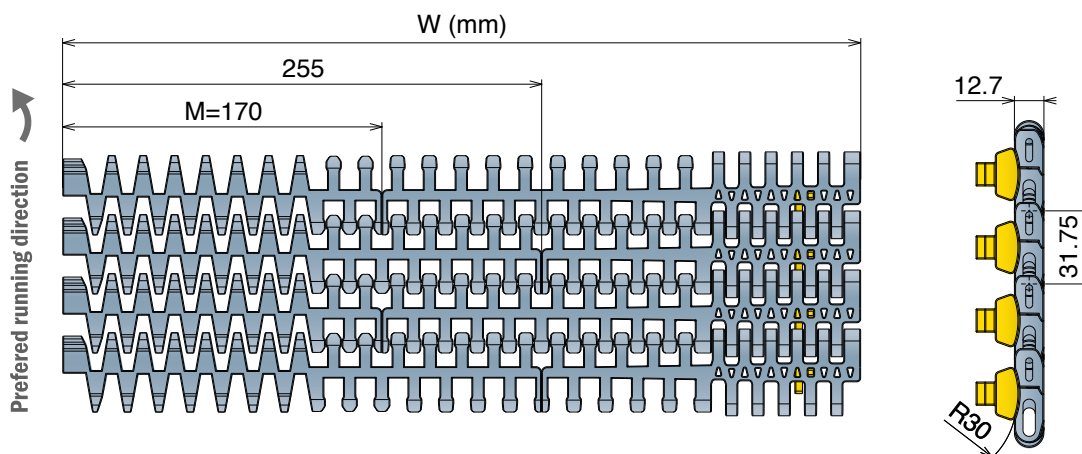
Low friction Acetal

**Max w. load:**  
Straight 30000 N/m  
Curve 3500 N  
**Weight:** 7,5 kg/m<sup>2</sup>  
**Temp. range dry:** -40+80 °C  
**Temp. range wet:** -40+65 °C  
**Pin material:** PBT white

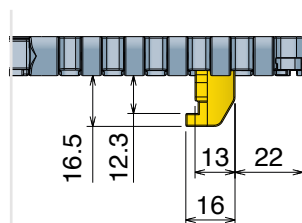
### LFB - Code 23

Low friction Acetal

**Max w. load:**  
Straight 30000 N/m  
Curve 3500 N  
**Weight:** 7,5 kg/m<sup>2</sup>  
**Temp. range dry:** -40+80 °C  
**Temp. range wet:** -40+65 °C  
**Pin material:** PBT white



STANDARD



| Series | Material | Width | Version | min radius |
|--------|----------|-------|---------|------------|
| 5424   | *        | 0255  | E       | 390        |
| 5424   | *        | 0340  | E       | 420        |
| 5424   | *        | 0425  | E       | 500        |
| 5424   | *        | 0510  | E       | 600        |
| 5424   | *        | 0595  | E       | 720        |
| 5424   | *        | 0680  | E       | 880        |
| 5424   | *        | 0765  | E       | 1040       |
| 5424   | *        | 0850  | E       | 1200       |

**TAB DKM Material**



Metric Size

Tappeti modulari / Modular belts / Mattenketten

# 600 Heavy duty/Small radius with Bearings

Belts wider than standard are available with 85 mm increments

Tappeti modulari / Modular belts / Mattenketten

## 600 Heavy duty/Small radius with Bearings

Tappeto Curvilineo Serie 600, H=12,7 M=170  
Side Flex Modular Belt Series 600, H=12,7 M=170 / Kurvengängige Mattenkette Serie 600, H=12,7 M=170

CODE STRUCTURE GUIDE (Example)

Backflex radius min.: 25 mm

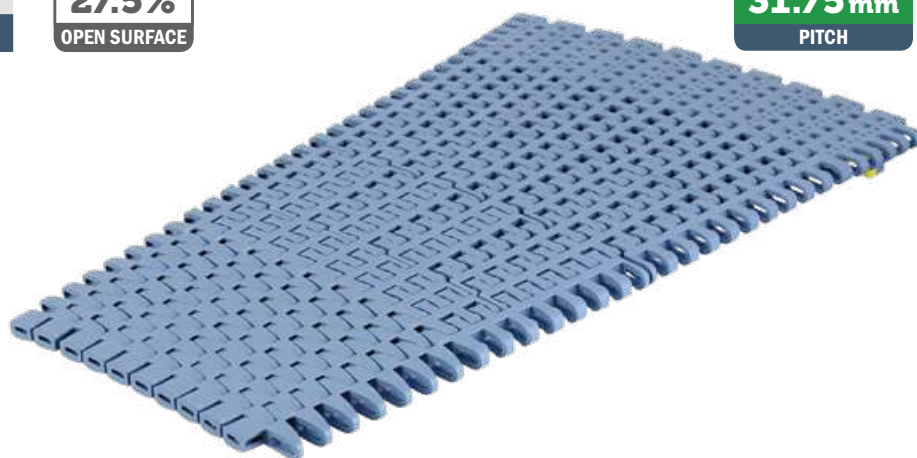
|        |           |       |         |
|--------|-----------|-------|---------|
| 5424   | 01        | 0425  | F       |
| Series | *Material | Width | Version |

**27.5%**  
OPEN SURFACE

**31.75mm**  
PITCH

|             |         |             |
|-------------|---------|-------------|
|             |         |             |
| pg. 330-331 | pg. 173 | pg. 651>661 |

**RANGE EXTENSION**



Metric Size

\*Material

### LFA - Code 01

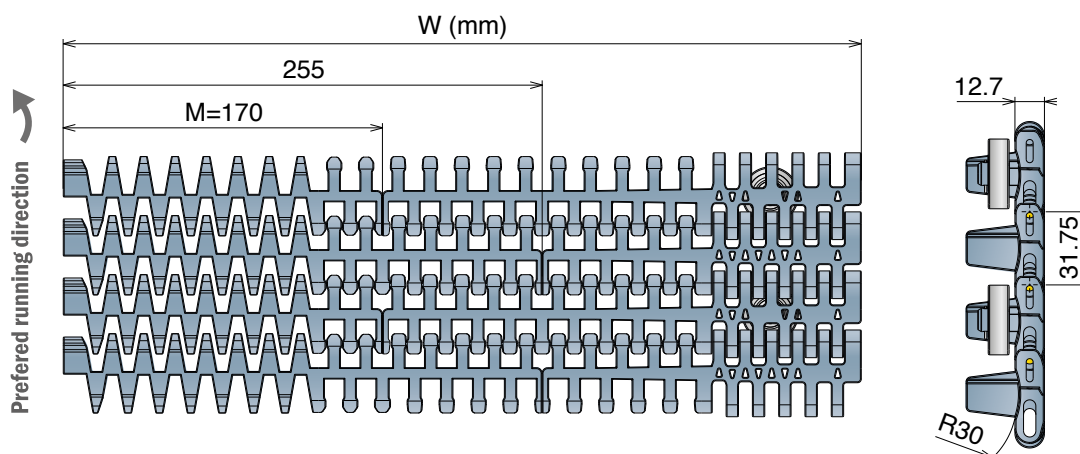
Low friction Acetal

**Max w. load:**  
Straight 30000 N/m  
Curve 3500 N  
**Weight:** 8,5 kg/m<sup>2</sup>  
**Temp. range dry:** -40÷80 °C  
**Temp. range wet:** -40÷65 °C  
**Pin material:** PBT white

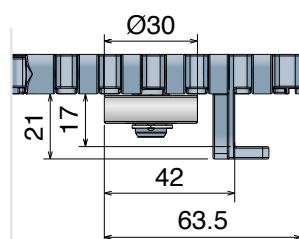
### LFB - Code 23

Low friction Acetal

**Max w. load:**  
Straight 30000 N/m  
Curve 3500 N  
**Weight:** 8,5 kg/m<sup>2</sup>  
**Temp. range dry:** -40÷80 °C  
**Temp. range wet:** -40÷65 °C  
**Pin material:** PBT white



STANDARD



| Series | Material | Width | Version | min radius |
|--------|----------|-------|---------|------------|
| 5424   | *        | 0255  | F       | 390        |
| 5424   | *        | 0340  | F       | 420        |
| 5424   | *        | 0425  | F       | 500        |
| 5424   | *        | 0510  | F       | 600        |
| 5424   | *        | 0595  | F       | 720        |
| 5424   | *        | 0680  | F       | 880        |
| 5424   | *        | 0765  | F       | 1040       |
| 5424   | *        | 0850  | F       | 1200       |

**Bearing Zoom**



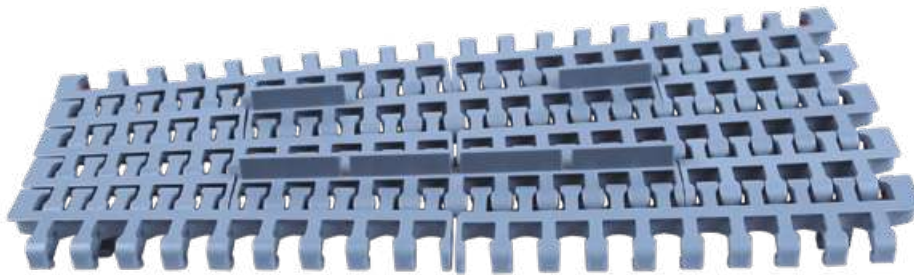
# 600 with pusher - 1047 Heavy duty guide

Tappeti modulari / Modular belts / Mattenketten

Metric Size

## 600 with pusher


Tappeto Modulare Curvilineo Serie 600, H=12,7 M=85  
Side Flex Modular Belt Series 600, H=12,7 M=85 / Kurvengängige Mattenkette Serie 600, H=12,7 M=85

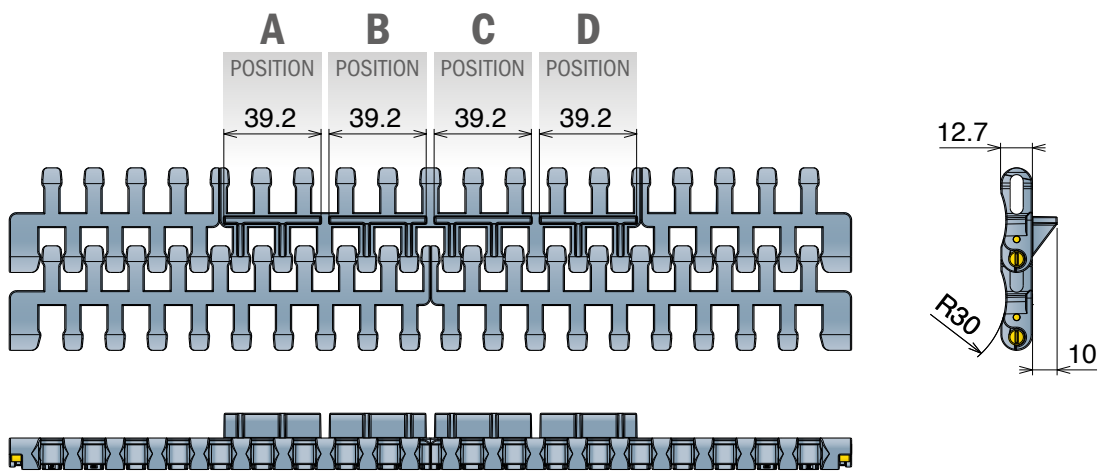


**31.75 mm**  
PITCH

  
pg. 330

  
pg. 170/171

  
pg. 651>661



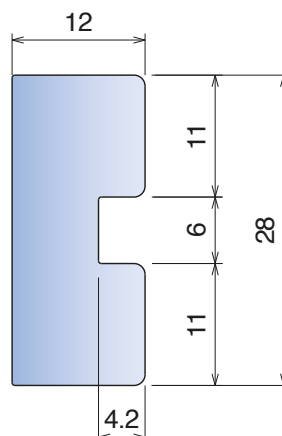
The pusher is applicable only for the center module, and there are available up to a maximum of 4 positions (A-B-C-D) or with different types of combinations (example A-B-D / A-C / B-C-D).

**Consult our engineering department for details.**

## 1047 Guida tappeto

Belt side guide / Seitenführung für Mattenkette

| Part | Article-Nr. | Material | Width |
|------|-------------|----------|-------|
| 1047 | 104700BC    | BluLub   | 3 m   |



**Material:** Polyethylene UHMW-PE with molecular density 9,200,000 g/mo.

**BluLub**® new material with reduced coefficient of friction and higher wear resistance. BluLub complies with the code of Federal Regulations of FDA.  
Linear expansion coefficient:  $1.1 \times 10^{-4} \text{ } ^\circ\text{F}^{-1}$  ( $2 \times 10^{-4} \text{ } ^\circ\text{C}^{-1}$ )  
Operating temperature: -40 to 176 °F (-40 to +80 °C)

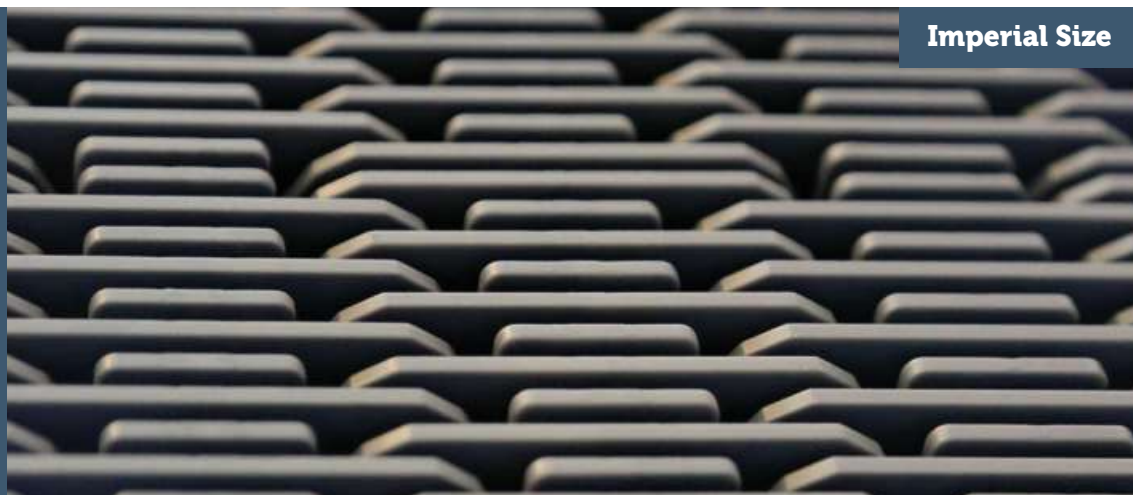
Tappeti modulari / Modular belts / Mattenketten

# 500 Series

# 500

Pitch 50,8 mm  
H= 24 mm

Imperial Size



500 RR  
500 RR *with positioner*  
389 *Combs*

**Movex**<sup>®</sup>

# 500 RR

Tappeti modulari / Modular belts / Mattenketten

Belts wider than standard are available with 3 inch increments



Imperial Size

## 500 RR

Tappeto Modulare 500 RR  
Raised Rib Belt Series 500 RR / Modulare Mattenkette 500 RR

### CODE STRUCTURE GUIDE (Example)

|             |           |             |
|-------------|-----------|-------------|
| <b>1348</b> | <b>02</b> | <b>0060</b> |
| Series      | *Material | Width       |

|   |   |
|---|---|
|  |  |
| pg. 333-334   | pg. 651>661   |



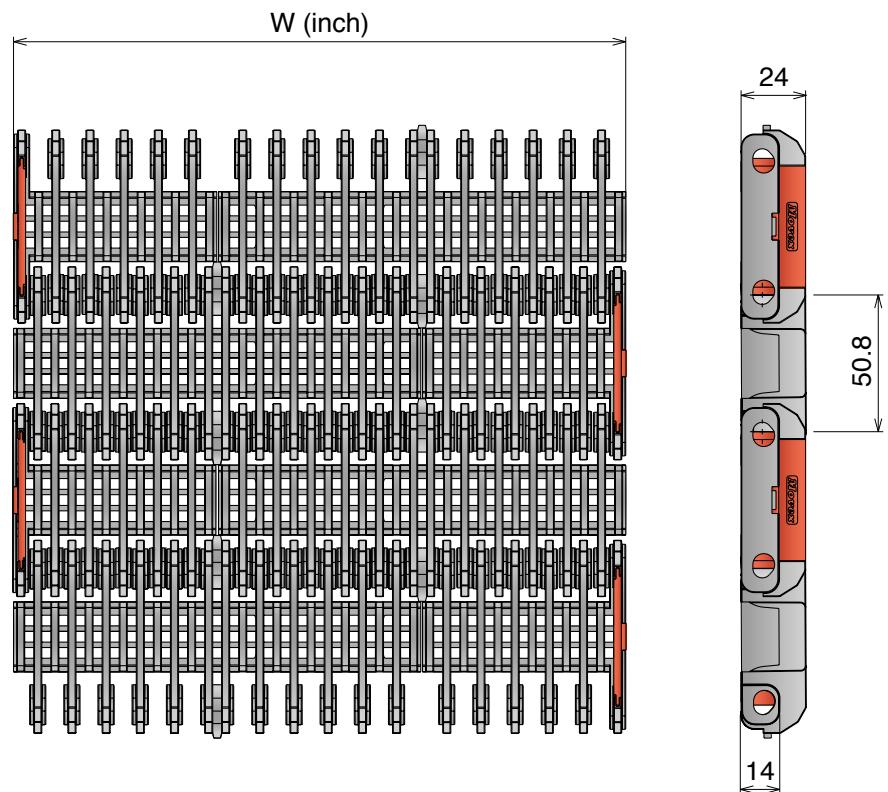
**50.8mm**  
PITCH

### \*Material

| PP - Code 02<br>Polypropylene          | PPX - Code 11<br>Polypropylene         |
|--|--|
| <b>Max w. load:</b> 30000 N/m          | <b>Max w. load:</b> 30000 N/m          |
| <b>Weight:</b> 10,65 kg/m <sup>2</sup> | <b>Weight:</b> 10,65 kg/m <sup>2</sup> |
| <b>Temp. range:</b> 4÷104 °C           | <b>Temp. range:</b> 4÷104 °C           |
| <b>Pin material:</b> PP grey           | <b>Pin material:</b> PP grey           |

**IMPROVED HEAT STABILITY**

| Series | Material | Width |
|--------|----------|-------|
| 1348   | *        | 0060  |
| 1348   | *        | 0063  |
| 1348   | *        | 0066  |
| 1348   | *        | 0069  |
| 1348   | *        | 0072  |
| 1348   | *        | 0075  |
| 1348   | *        | 0078  |
| 1348   | *        | 0081  |
| 1348   | *        | 0084  |
| 1348   | *        | 0087  |
| 1348   | *        | 0090  |
| 1348   | *        | 0093  |
| 1348   | *        | 0096  |
| 1348   | *        | 0099  |
| 1348   | *        | 0102  |
| 1348   | *        | 0105  |
| 1348   | *        | 0108  |
| 1348   | *        | 0111  |
| 1348   | *        | 0114  |
| 1348   | *        | 0117  |
| 1348   | *        | 0120  |



Tappeti modulari / Modular belts / Mattenketten



# 500 RR with positioner

Tappeti modulari / Modular belts / Mattenketten

Belts wider than standard are available with 3 inch increments

## NEW 500 RR with positioner Tappeto Modulare 500 RR Raised Rib Belt Series 500 RR / Modulare Mattenkette 500 RR

Imperial Size

### CODE STRUCTURE GUIDE (Example)

|             |           |             |          |
|-------------|-----------|-------------|----------|
| <b>1348</b> | <b>02</b> | <b>0060</b> | <b>C</b> |
| Series      | *Material | Width       | Version  |

**50.8mm**  
PITCH



pg. 333-334



pg. 651>661

### \*Material

**PP - Code 02**  
Polypropylene

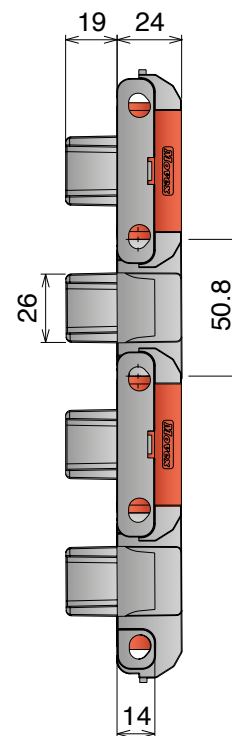
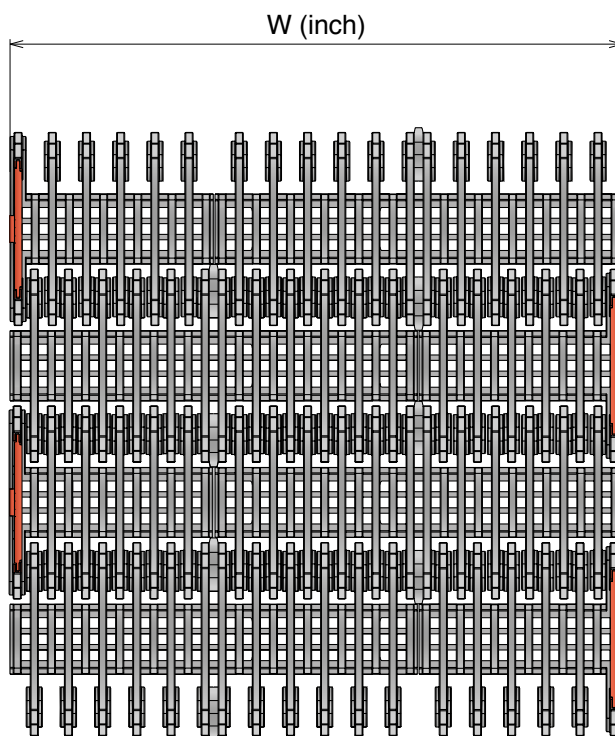
**PPX - Code 11**  
Polypropylene

|                     |                         |                     |                         |
|---------------------|-------------------------|---------------------|-------------------------|
| <b>Max w. load:</b> | 30000 N/m               | <b>Max w. load:</b> | 30000 N/m               |
| <b>Weight:</b>      | 10,65 kg/m <sup>2</sup> | <b>Weight:</b>      | 10,65 kg/m <sup>2</sup> |
| <b>Temp. range:</b> | 4÷104 °C                | <b>Temp. range:</b> | 4÷104 °C                |

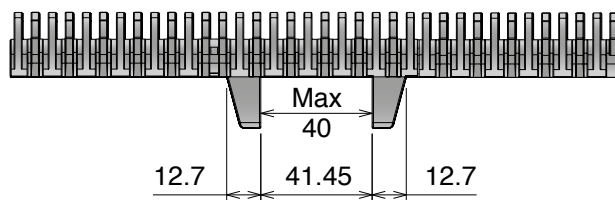
**Pin material:** PP grey    **Pin material:** PP grey

**IMPROVED HEAT STABILITY**

| Series | Material | Width | Version |
|--------|----------|-------|---------|
| 1348   | *        | 0060  | C       |
| 1348   | *        | 0063  | C       |
| 1348   | *        | 0066  | C       |
| 1348   | *        | 0069  | C       |
| 1348   | *        | 0072  | C       |
| 1348   | *        | 0075  | C       |
| 1348   | *        | 0078  | C       |
| 1348   | *        | 0081  | C       |
| 1348   | *        | 0084  | C       |
| 1348   | *        | 0087  | C       |
| 1348   | *        | 0090  | C       |
| 1348   | *        | 0093  | C       |
| 1348   | *        | 0096  | C       |
| 1348   | *        | 0099  | C       |
| 1348   | *        | 0102  | C       |
| 1348   | *        | 0105  | C       |
| 1348   | *        | 0108  | C       |
| 1348   | *        | 0111  | C       |
| 1348   | *        | 0114  | C       |
| 1348   | *        | 0117  | C       |
| 1348   | *        | 0120  | C       |



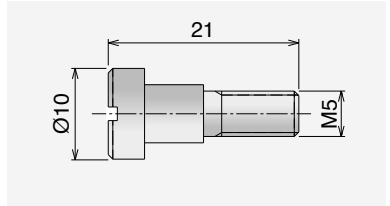
Bottom view



For belt widths multiple of 3", positioners are centered (e.g. 63,69,75,81 inches).  
For belt widths multiple of 6", positioners are 1,5" offset (e.g. 60,66,72,78 inches).

## 389 Pettine Combs / Fingerplatte

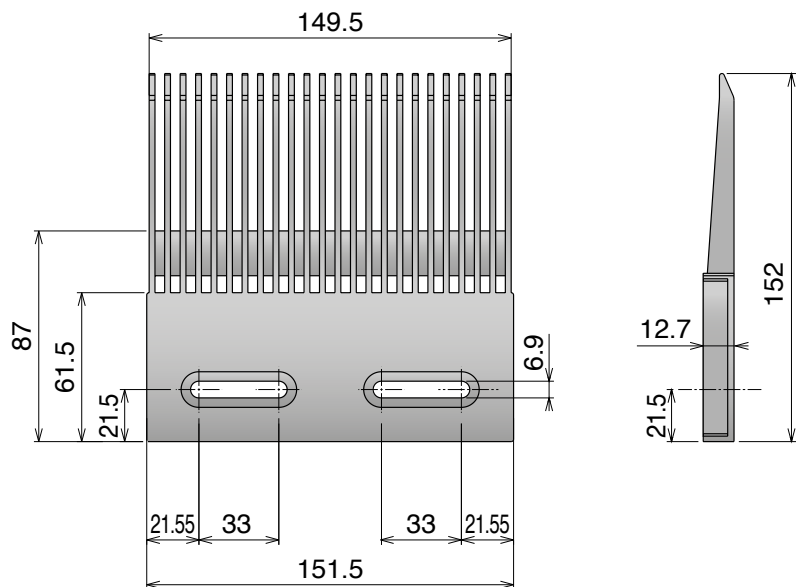
Two screw included



For assembly instructions refers to Movex engineering manual available on our website.

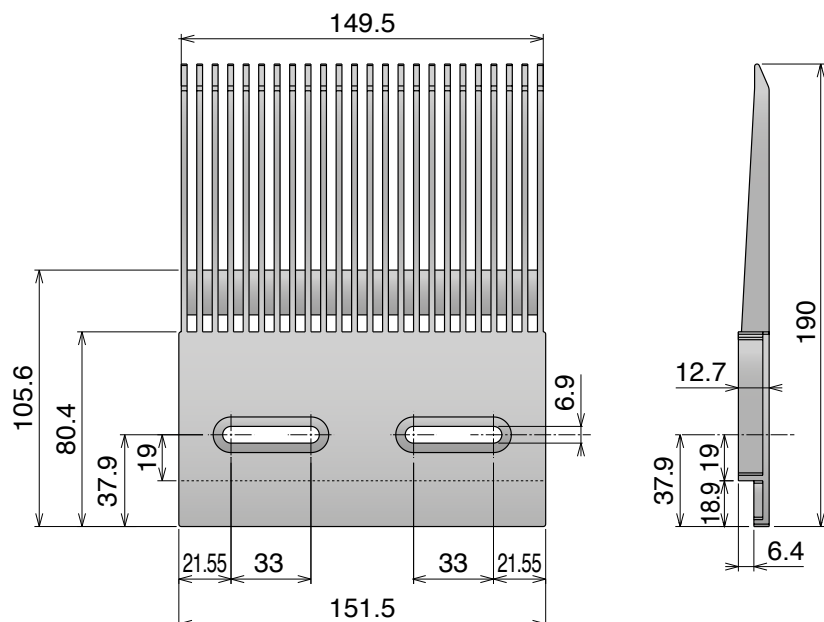
### Type A

| Part | Article-Nr. |
|------|-------------|
| 389  | 38901       |



### Type B

| Part | Article-Nr. |
|------|-------------|
| 389  | 38902       |



# ZERO CONTACT

# ZER<sup>520</sup>CONTACT

SIDE FLEX MODULAR BELT



Imperial Size

**ZERO CONTACT**  
**ZERO CONTACT PRO**

**Movex**<sup>®</sup>

## ZERO CONTACT

Tappeto Modulare Curvilineo Zero Contact™, H=10,1 M=200

Side Flex Modular Belt Zero Contact™, H=10,1 M=200 / Kurvengängige Mattenkette Zero Contact™, H=10,1 M=200

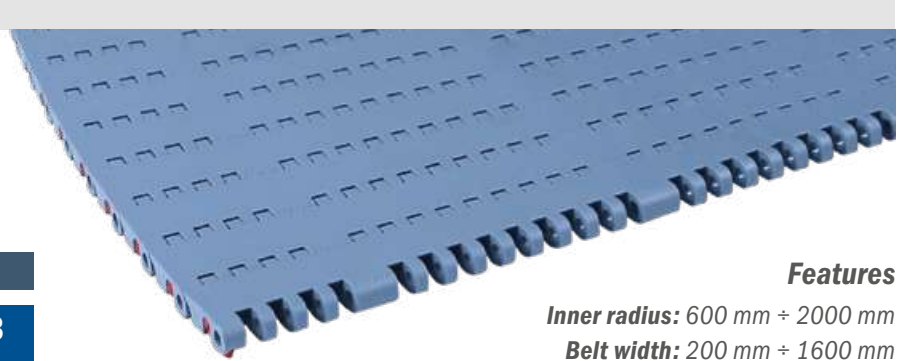
|   |   |   |
|---|---|---|
|  |  |  |
| pg. 332   | pg. 286/292   | pg. 651>661   |

**SAMPLE BOX**  
Art.-Nr. **599999925A**

**Material**

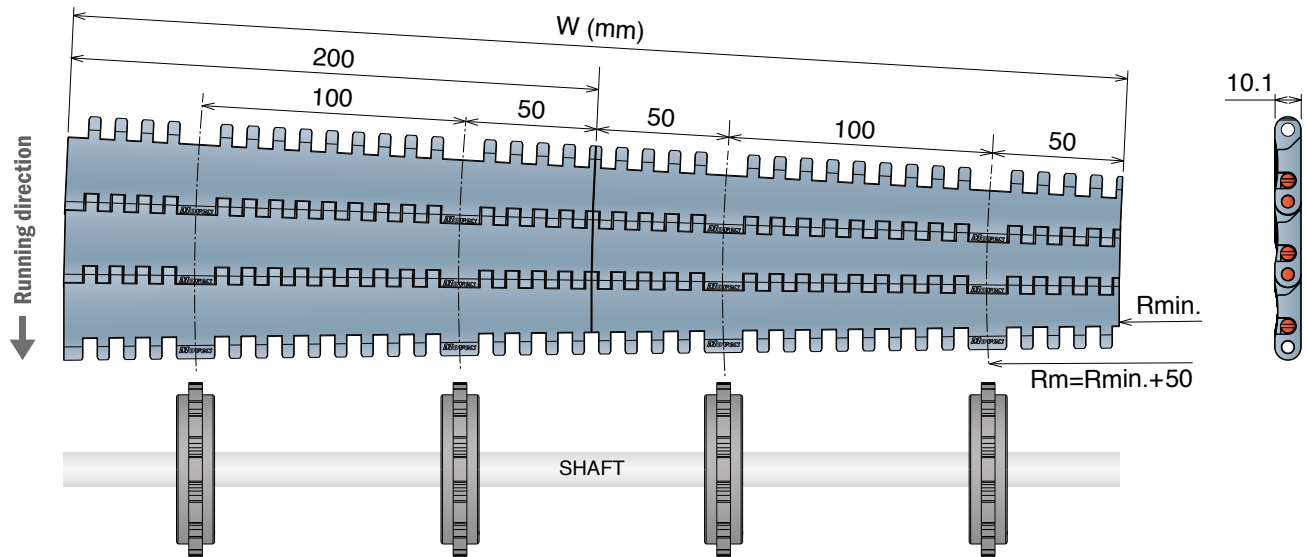
|   |   |
|---|---|
| <b>LFA - Code 01</b><br>Low friction Acetal | <b>LFB - Code 23</b><br>Low friction Acetal |
|---|---|

|                                       |                                       |
|---------------------------------------|---------------------------------------|
| <b>Max w. load:</b> 13500 N/m         | <b>Max w. load:</b> 13500 N/m         |
| <b>Weight:</b> 9,25 kg/m <sup>2</sup> | <b>Weight:</b> 9,25 kg/m <sup>2</sup> |
| <b>Temp. range dry:</b> -40+80 °C     | <b>Temp. range dry:</b> -40+80 °C     |
| <b>Temp. range wet:</b> -40+65 °C     | <b>Temp. range wet:</b> -40+65 °C     |
| <b>Pin material:</b> PBT white        | <b>Pin material:</b> PBT white        |



### Features

- Inner radius:** 600 mm ÷ 2000 mm
- Belt width:** 200 mm ÷ 1600 mm
- Angle:** 90° and 180° (different on request)
- Row to row angle:** 1,33°
- Pin material:** Ø4,7 mm, PBT White
- Open Area:** 0%

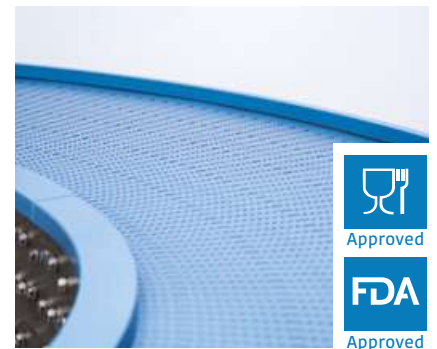


**Movex® Zero Contact™** modular fixed radius curve belt is the best choice for all type of transportation, for beverage, food and logistic industries, thanks to its versatility.

It offers high performances, reducing the coefficient of friction between product and running belt surface and improves the efficiency of the line, by minimizing downtimes.

A wide range of radii and widths helps finding the right solution for every product dimension and transportation condition, from light packages to heavier ones.


Installation and maintenance have never been so easy, so far.



The belt is compliant to:  
**EC 1935/2004, Regulation EU 10/2011**  
**FDA 21 CFR 177.2470**

 **Low friction**

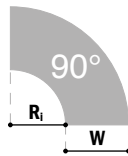
 **Minimized maintenance**

 **Easy pin removal**

Delivery: **Easy** Standard

## ZERO CONTACT

SIDE FLEX MODULAR BELT



### Side Flex Modular Belt Zero Contact™ 90° | Length of the belt 150 Modules

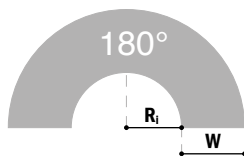
| Belt Width | R, 600      | R, 800      | R, 1000     | R, 1200     | R, 1400     | R, 1600     | R, 1800     | R, 2000     | Material |
|------------|-------------|-------------|-------------|-------------|-------------|-------------|-------------|-------------|----------|
| 200        | 5451010201A | 5451010202A | 5451010203A | 5451010204A | 5451010205A | 5451010206A | 5451010207A | 5451010208A | LFA      |
| 400        | 5451010401A | 5451010402A | 5451010403A | 5451010404A | 5451010405A | 5451010406A | 5451010407A | -           |          |
| 600        | 5451010601A | 5451010602A | 5451010603A | 5451010604A | 5451010605A | 5451010606A | -           | -           |          |
| 800        | 5451010801A | 5451010802A | 5451010803A | 5451010804A | 5451010805A | -           | -           | -           |          |
| 1000       | 5451011001A | 5451011002A | 5451011003A | 5451011004A | -           | -           | -           | -           |          |
| 1200       | 5451011201A | 5451011202A | 5451011203A | -           | -           | -           | -           | -           |          |
| 1400       | 5451011401A | 5451011402A | -           | -           | -           | -           | -           | -           |          |
| 1600       | 5451011601A | -           | -           | -           | -           | -           | -           | -           |          |

### Side Flex Modular Belt Zero Contact™ 90° | Length of the belt 150 Modules

| Belt Width | R, 600      | R, 800      | R, 1000     | R, 1200     | R, 1400     | R, 1600     | R, 1800     | R, 2000     | Material |
|------------|-------------|-------------|-------------|-------------|-------------|-------------|-------------|-------------|----------|
| 200        | 5451230201A | 5451230202A | 5451230203A | 5451230204A | 5451230205A | 5451230206A | 5451230207A | 5451230208A | LFB      |
| 400        | 5451230401A | 5451230402A | 5451230403A | 5451230404A | 5451230405A | 5451230406A | 5451230407A | -           |          |
| 600        | 5451230601A | 5451230602A | 5451230603A | 5451230604A | 5451230605A | 5451230606A | -           | -           |          |
| 800        | 5451230801A | 5451230802A | 5451230803A | 5451230804A | 5451230805A | -           | -           | -           |          |
| 1000       | 5451231001A | 5451231002A | 5451231003A | 5451231004A | -           | -           | -           | -           |          |
| 1200       | 5451231201A | 5451231202A | 5451231203A | -           | -           | -           | -           | -           |          |
| 1400       | 5451231401A | 5451231402A | -           | -           | -           | -           | -           | -           |          |
| 1600       | 5451231601A | -           | -           | -           | -           | -           | -           | -           |          |

## ZERO CONTACT

SIDE FLEX MODULAR BELT



### Side Flex Modular Belt Zero Contact™ 180° | Length of the belt 285 Modules

| Belt Width | R, 600      | R, 800      | R, 1000     | R, 1200     | R, 1400     | R, 1600     | R, 1800     | R, 2000     | Material |
|------------|-------------|-------------|-------------|-------------|-------------|-------------|-------------|-------------|----------|
| 200        | 5452010201A | 5452010202A | 5452010203A | 5452010204A | 5452010205A | 5452010206A | 5452010207A | 5452010208A | LFA      |
| 400        | 5452010401A | 5452010402A | 5452010403A | 5452010404A | 5452010405A | 5452010406A | 5452010407A | -           |          |
| 600        | 5452010601A | 5452010602A | 5452010603A | 5452010604A | 5452010605A | 5452010606A | -           | -           |          |
| 800        | 5452010801A | 5452010802A | 5452010803A | 5452010804A | 5452010805A | -           | -           | -           |          |
| 1000       | 5452011001A | 5452011002A | 5452011003A | 5452011004A | -           | -           | -           | -           |          |
| 1200       | 5452011201A | 5452011202A | 5452011203A | -           | -           | -           | -           | -           |          |
| 1400       | 5452011401A | 5452011402A | -           | -           | -           | -           | -           | -           |          |
| 1600       | 5452011601A | -           | -           | -           | -           | -           | -           | -           |          |



### Side Flex Modular Belt Zero Contact™ 180° | Length of the belt 285 Modules

| Belt Width | R, 600      | R, 800      | R, 1000     | R, 1200     | R, 1400     | R, 1600     | R, 1800     | R, 2000     | Material |
|------------|-------------|-------------|-------------|-------------|-------------|-------------|-------------|-------------|----------|
| 200        | 5452230201A | 5452230202A | 5452230203A | 5452230204A | 5452230205A | 5452230206A | 5452230207A | 5452230208A | LFB      |
| 400        | 5452230401A | 5452230402A | 5452230403A | 5452230404A | 5452230405A | 5452230406A | 5452230407A | -           |          |
| 600        | 5452230601A | 5452230602A | 5452230603A | 5452230604A | 5452230605A | 5452230606A | -           | -           |          |
| 800        | 5452230801A | 5452230802A | 5452230803A | 5452230804A | 5452230805A | -           | -           | -           |          |
| 1000       | 5452231001A | 5452231002A | 5452231003A | 5452231004A | -           | -           | -           | -           |          |
| 1200       | 5452231201A | 5452231202A | 5452231203A | -           | -           | -           | -           | -           |          |
| 1400       | 5452231401A | 5452231402A | -           | -           | -           | -           | -           | -           |          |
| 1600       | 5452231601A | -           | -           | -           | -           | -           | -           | -           |          |

## ZERO CONTACT PRO

Tappeto Modulare Curvilineo Zero Contact PRO, H=9

Side Flex Modular Belt Zero Contact PRO, H=9 / Kurvengängige Mattenkette Zero Contact PRO, H=9

|   |   |
|---|---|
|  |  |
| Zero contact Pro Curve  |   |
| pg. 332   | pg. 288/290   |
|   | pg. 651>661   |

### SAMPLE BOX

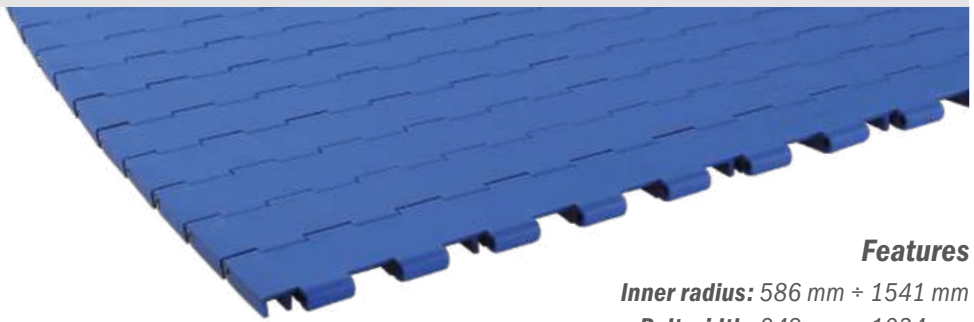
Art.-Nr. **599999925A**

### Material

### PA - Code 28

Glass fiber reinforced

|                  |                        |
|------------------|------------------------|
| Max w. load:     | 19000 N/m              |
| Weight:          | 9,25 kg/m <sup>2</sup> |
| Temp. range dry: | -30+100 °C             |
| Temp. range wet: | N.R.                   |
| Pin:             | Stainless steel        |



### Features

Inner radius: 586 mm ÷ 1541 mm

Belt width: 249 mm ÷ 1034 mm

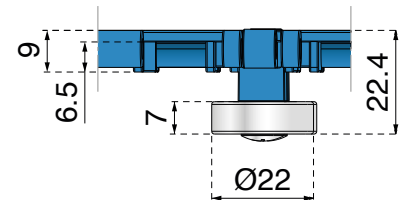
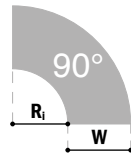
Angle: 90° and 180° (different on request)

Row to row angle: 1°

Pin: Ø4 mm, material 1.4301

Open Area: 0%

**ZERO CONTACT**  
SIDE FLEX MODULAR BELT



### Side Flex Modular Belt Zero Contact PRO™ 90° | Without bearings | Length of the belt 200 modules

| Order code    | R <sub>i</sub> - mm | W - mm | Order code    | R <sub>i</sub> - mm | W - mm | Order code    | R <sub>i</sub> - mm | W - mm |
|---------------|---------------------|--------|---------------|---------------------|--------|---------------|---------------------|--------|
| 5461280439A-M | 586                 | 439    | 5462281034A-M | 756                 | 1034   | 5464280504A-M | 1116                | 504    |
| 5461280524A-M | 586                 | 524    | 5463280269A-M | 1011                | 269    | 5465280419A-M | 1201                | 419    |
| 5461280864A-M | 586                 | 864    | 5463280439A-M | 1011                | 439    | 5466280249A-M | 1286                | 249    |
| 5461281034A-M | 586                 | 1034   | 5463280524A-M | 1011                | 524    | 5465280504A-M | 1286                | 504    |
| 5462280269A-M | 756                 | 269    | 5463280864A-M | 1011                | 864    | 5466280419A-M | 1456                | 419    |
| 5462280439A-M | 756                 | 439    | 5463281034A-M | 1011                | 1034   | 5466280504A-M | 1541                | 504    |
| 5462280524A-M | 756                 | 524    | 5465280249A-M | 1031                | 249    |               |                     |        |
| 5462280864A-M | 756                 | 864    | 5464280419A-M | 1031                | 419    |               |                     |        |

### Side Flex Modular Belt Zero Contact PRO™ 90° | With bearings | Length of the belt 200 modules

| Order code    | R <sub>i</sub> - mm | W - mm | Order code    | R <sub>i</sub> - mm | W - mm |
|---------------|---------------------|--------|---------------|---------------------|--------|
| 5462280249A-M | 1031                | 249    | 5463280249A-M | 1286                | 249    |
| 5461280419A-M | 1031                | 419    | 5462280504A-M | 1286                | 504    |
| 5461280504A-M | 1116                | 504    | 5463280419A-M | 1456                | 419    |
| 5462280419A-M | 1201                | 419    | 5463280504A-M | 1541                | 504    |



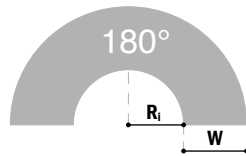
### Side Flex Modular Belt Zero Contact PRO™ 90° | Two track combinations | Length of the belts 200 modules

| Track 1 - Order code | R <sub>i</sub> - mm | W - mm | Track 2 - Order code | R <sub>i</sub> - mm | W - mm | Total width |
|----------------------|---------------------|--------|----------------------|---------------------|--------|-------------|
| 5462280269A-M        | 756                 | 269    | + 5462280249A-M      | 1031                | 249    | = 524       |
| 5463280269A-M        | 1011                | 269    | + 5463280249A-M      | 1286                | 249    | = 524       |
| 5461280439A-M        | 586                 | 439    | + 5461280419A-M      | 1031                | 419    | = 864       |
| 5462280439A-M        | 756                 | 439    | + 5462280419A-M      | 1201                | 419    | = 864       |
| 5463280439A-M        | 1011                | 439    | + 5463280419A-M      | 1456                | 419    | = 864       |
| 5461280524A-M        | 586                 | 524    | + 5461280504A-M      | 1116                | 504    | = 1034      |
| 5462280524A-M        | 756                 | 524    | + 5462280504A-M      | 1286                | 504    | = 1034      |
| 5463280524A-M        | 1011                | 524    | + 5463280504A-M      | 1541                | 504    | = 1034      |

The gap between the belts is 6 mm. | Track 1 belt is supplied without bearings. | Track 2 belt is supplied with bearings.

Continue >>

**ZERO CONTACT**  
SIDE FLEX MODULAR BELT



**Side Flex Modular Belt Zero Contact PRO™ 180°** | Without bearings | Length of the belt 380 modules

| Order code    | R <sub>i</sub> - mm | W - mm | Order code    | R <sub>i</sub> - mm | W - mm | Order code    | R <sub>i</sub> - mm | W - mm |
|---------------|---------------------|--------|---------------|---------------------|--------|---------------|---------------------|--------|
| 5461280439B-M | 586                 | 439    | 5462281034B-M | 756                 | 1034   | 5464280504B-M | 1116                | 504    |
| 5461280524B-M | 586                 | 524    | 5463280269B-M | 1011                | 269    | 5465280419B-M | 1201                | 419    |
| 5461280864B-M | 586                 | 864    | 5463280439B-M | 1011                | 439    | 5466280249B-M | 1286                | 249    |
| 5461281034B-M | 586                 | 1034   | 5463280524B-M | 1011                | 524    | 5465280504B-M | 1286                | 504    |
| 5462280269B-M | 756                 | 269    | 5463280864B-M | 1011                | 864    | 5466280419B-M | 1456                | 419    |
| 5462280439B-M | 756                 | 439    | 5463281034B-M | 1011                | 1034   | 5466280504B-M | 1541                | 504    |
| 5462280524B-M | 756                 | 524    | 5465280249B-M | 1031                | 249    |               |                     |        |
| 5462280864B-M | 756                 | 864    | 5464280419B-M | 1031                | 419    |               |                     |        |

**Side Flex Modular Belt Zero Contact PRO™ 180°** | With bearings | Length of the belt 380 modules

| Order code    | R <sub>i</sub> - mm | W - mm | Order code    | R <sub>i</sub> - mm | W - mm |
|---------------|---------------------|--------|---------------|---------------------|--------|
| 5462280249B-M | 1031                | 249    | 5463280249B-M | 1286                | 249    |
| 5461280419B-M | 1031                | 419    | 5462280504B-M | 1286                | 504    |
| 5461280504B-M | 1116                | 504    | 5463280419B-M | 1456                | 419    |
| 5462280419B-M | 1201                | 419    | 5463280504B-M | 1541                | 504    |



**Side Flex Modular Belt Zero Contact PRO™ 180°** | Two track combinations | Length of the belts 380 modules

| Track 1 - Order code | R <sub>i</sub> - mm | W - mm |   | Track 2 - Order code | R <sub>i</sub> - mm | W - mm | Total width |
|----------------------|---------------------|--------|---|----------------------|---------------------|--------|-------------|
| 5462280269B-M        | 756                 | 269    | + | 5462280249B-M        | 1031                | 249    | = 524       |
| 5463280269B-M        | 1011                | 269    | + | 5463280249B-M        | 1286                | 249    | = 524       |
| 5461280439B-M        | 586                 | 439    | + | 5461280419B-M        | 1031                | 419    | = 864       |
| 5462280439B-M        | 756                 | 439    | + | 5462280419B-M        | 1201                | 419    | = 864       |
| 5463280439B-M        | 1011                | 439    | + | 5463280419B-M        | 1456                | 419    | = 864       |
| 5461280524B-M        | 586                 | 524    | + | 5461280504B-M        | 1116                | 504    | = 1034      |
| 5462280524B-M        | 756                 | 524    | + | 5462280504B-M        | 1286                | 504    | = 1034      |
| 5463280524B-M        | 1011                | 524    | + | 5463280504B-M        | 1541                | 504    | = 1034      |

The gap between the belts is 6 mm. | Track 1 belt is supplied without bearings. | Track 2 belt is supplied with bearings.

The innovative design of **Movex® Zero Contact™ PRO** is recommended for high speed, heavy loads and transportation of abrasive substances, like sand, salt, sugar, and many other applications.

The stainless steel pins guarantee a higher working load and due to the new pin retention with grub screw, the assembly of this belt is 100% secure.


The robust structure of **Zero Contact™ PRO** can be summarized in minimal maintenance, long life expectation and high reliability.

**Zero Contact™ PRO** is a versatile belt, allowing a wider range of available widths and radii. Find out also our “two-tracks” version.



 **Extreme speed**

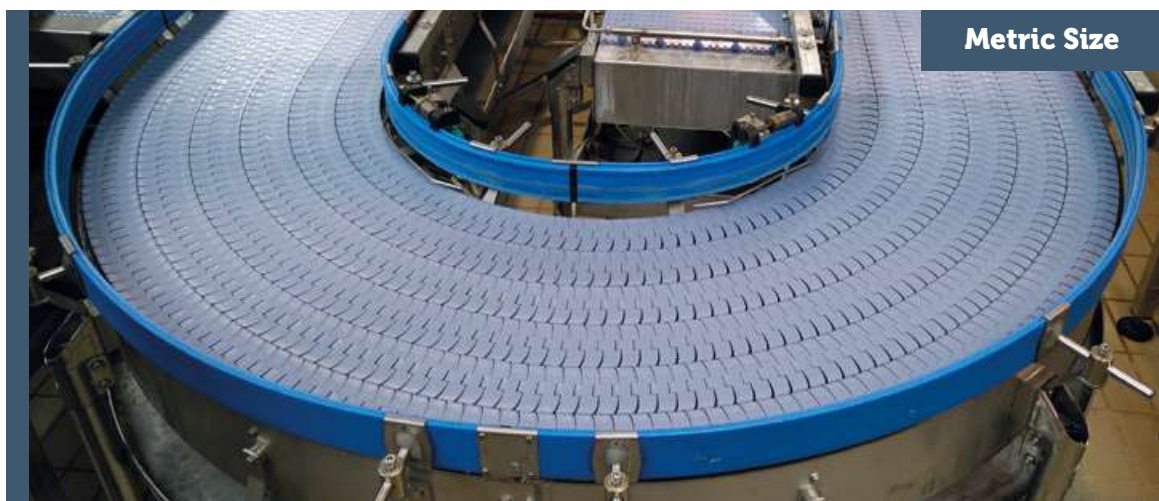
 **Heavy duty**

 **High abrasion resistance**

# 260/261

Pitch 25,4 mm

H= 21 mm / 25 mm / 28,7 mm



Metric Size

260 M FT  
260 M FG  
260 TAB

261 M FT  
261 TAB



## 260 M FT

Catena curvilinea  
Sideflexing belt/chain / Kurvengängige Mattenkette

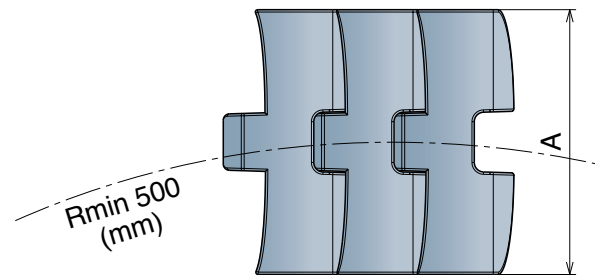
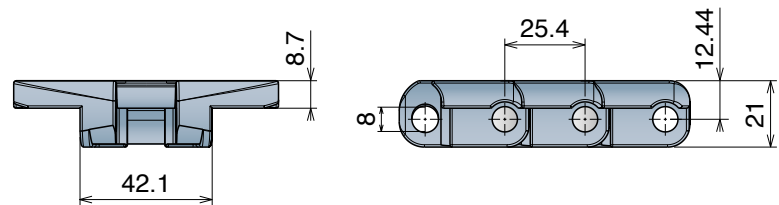
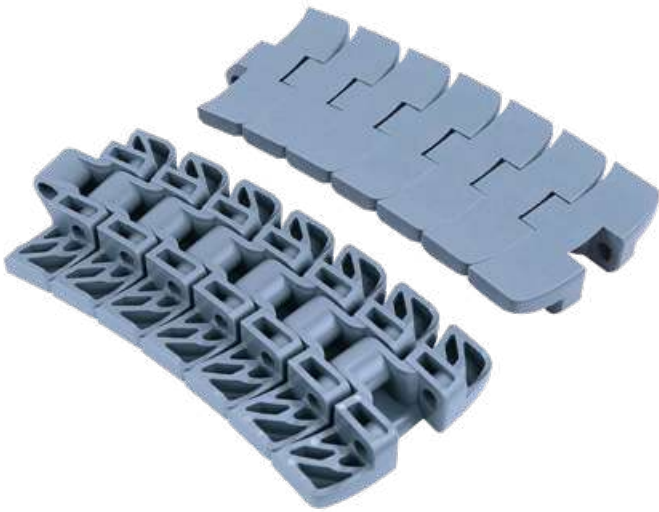
**MAGNETIC SYSTEM**

Delivery: **Easy** Standard

Pins: Ferritic SS | Backflex radius min.: 130 mm

**25.4mm**  
PITCH

Metric Size



### Advantages:

- Heavy duty
- 20% Reduced gap link
- 95% Closed surface

#### SAMPLE BOX

Art.-Nr. **999800**



120 links



pg. 328-329



pg. 141-147



pg. 651>661

| Article-Nr.     | Ref.                     | A (Plate Width) mm | Weight kg/m | Max working load (N) | Sideflex radius mm | Material   |
|-----------------|--------------------------|--------------------|-------------|----------------------|--------------------|------------|
| <b>11510103</b> | <b>LFA 260 M FT K330</b> | 83,8               | 1,75        | 2000                 | 500                | <b>LFA</b> |
| <b>11510105</b> | <b>LFA 260 M FT K450</b> | 114,3              | 2,30        |                      |                    |            |
| <b>11510303</b> | <b>MX 260 M FT K330</b>  | 83,8               | 1,75        | 1600                 | 500                | <b>MX</b>  |
| <b>11510305</b> | <b>MX 260 M FT K450</b>  | 114,3              | 2,30        |                      |                    |            |
| <b>11513003</b> | <b>PFX 260 M FT K330</b> | 83,8               | 1,65        | 1600                 | 500                | <b>PFX</b> |
| <b>11513005</b> | <b>PFX 260 M FT K450</b> | 114,3              | 2,20        |                      |                    |            |
| <b>11511603</b> | <b>DKM 260 M FT K330</b> | 83,8               | 1,75        | 2000                 | 500                | <b>DKM</b> |
| <b>11511605</b> | <b>DKM 260 M FT K450</b> | 114,3              | 2,30        |                      |                    |            |
| <b>11512303</b> | <b>LFA 260 M FT K330</b> | 83,8               | 1,75        | 2000                 | 500                | <b>LFB</b> |
| <b>11512305</b> | <b>LFA 260 M FT K450</b> | 114,3              | 2,30        |                      |                    |            |

# 260 M FG

Tappeti modulari / Modular belts / Mattenketten

## 260 M FG

Catena curvilinea  
Sideflexing belt/chain / Kurvengängige Mattenkette

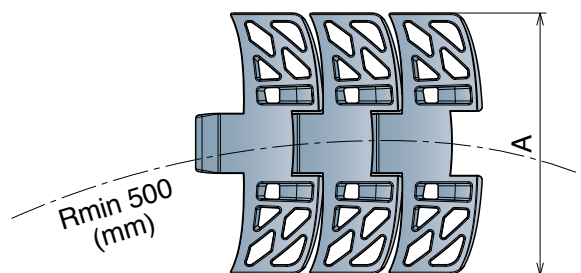
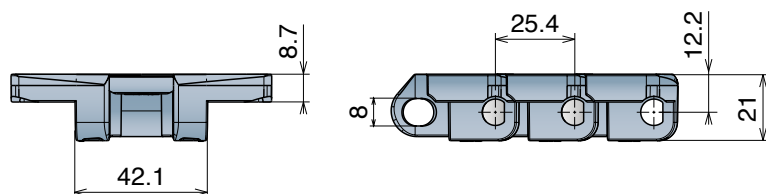
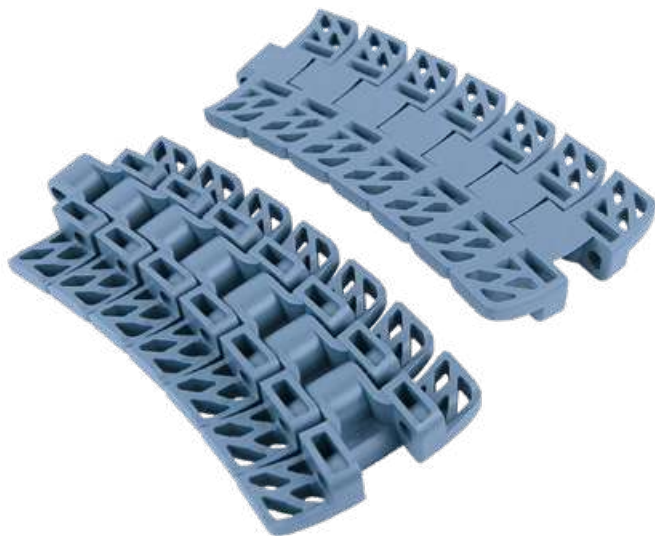
**MAGNETIC SYSTEM**

Delivery: **Easy** **Standard**

Pins: Ferritic SS | Backflex radius min.: 130 mm

**25.4 mm**  
PITCH

Metric Size



|                    |             |             |             |
|--------------------|-------------|-------------|-------------|
| 10 feet<br>3.048 m |             |             |             |
| 120 links          | pg. 328-329 | pg. 141-147 | pg. 651>661 |

| Article-Nr. | Ref.              | A (Plate Width)<br>mm | Weight<br>kg/m | Max working<br>load (N) | Sideflex radius<br>mm | Material |
|-------------|-------------------|-----------------------|----------------|-------------------------|-----------------------|----------|
| 11540103    | LFA 260 M FG K330 | 83,8                  | 1,62           | 2000                    | 500                   | LFA      |
| 11540105    | LFA 260 M FG K450 | 114,3                 | 2,13           |                         |                       |          |
| 11540303    | MX 260 M FG K330  | 83,8                  | 1,62           | 1600                    | 500                   | MX       |
| 11540305    | MX 260 M FG K450  | 114,3                 | 2,13           |                         |                       |          |
| 11543003    | PFX 260 M FG K330 | 83,8                  | 1,52           | 1600                    | 500                   | PFX      |
| 11543005    | PFX 260 M FG K450 | 114,3                 | 2,03           |                         |                       |          |
| 11542303    | LFB 260 M FG K330 | 83,8                  | 1,62           | 2000                    | 500                   | LFB      |
| 11542305    | LFB 260 M FG K450 | 114,3                 | 2,13           |                         |                       |          |

## 260 TAB

Catena curvilinea  
Sideflexing belt/chain / Kurvengängige Mattenkette

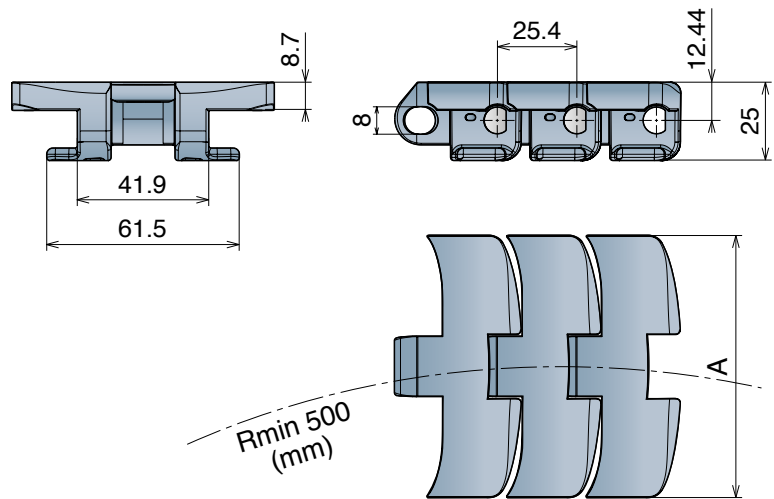
**TAB SYSTEM**

Delivery: **Easy** **Standard**

Pins: Ferritic SS | Backflex radius min.: 130 mm

**25.4mm**  
PITCH

Metric Size



|   |   |   |   |
|---|---|---|---|
|  10 feet<br>3.048 m |  pg. 328-329 |  pg. 163 |  pg. 651>661 |
| 120 links   |   |   |   |

| Article-Nr. | Ref.             | A (Plate Width)<br>mm | Weight<br>kg/m | Max working<br>load (N) | Sideflex radius<br>mm | Material |
|-------------|------------------|-----------------------|----------------|-------------------------|-----------------------|----------|
| 11520103    | LFA 260 TAB K330 | 83,8                  | 1,85           | 2000                    | 500                   | LFA      |
| 11520105    | LFA 260 TAB K450 | 114,3                 | 2,00           |                         |                       |          |
| 11520303    | MX 260 TAB K330  | 83,8                  | 1,85           | 1600                    | 500                   | MX       |
| 11520305    | MX 260 TAB K450  | 114,3                 | 2,00           |                         |                       |          |
| 11523003    | PFX 260 TAB K330 | 83,8                  | 1,75           | 1600                    | 500                   | PFX      |
| 11523005    | PFX 260 TAB K450 | 114,3                 | 1,90           |                         |                       |          |
| 11521603    | DKM 260 TAB K330 | 83,8                  | 1,85           | 2000                    | 500                   | DKM      |
| 11521605    | DKM 260 TAB K450 | 114,3                 | 2,00           |                         |                       |          |
| 11522303    | LFB 260 TAB K330 | 83,8                  | 1,85           | 2000                    | 500                   | LFB      |
| 11522305    | LFB 260 TAB K450 | 114,3                 | 2,00           |                         |                       |          |

# 261 M FT

Tappeti modulari / Modular belts / Mattenketten

## 261 M FT

Catena curvilinea  
Sideflexing belt/chain / Kurvengängige Mattenkette

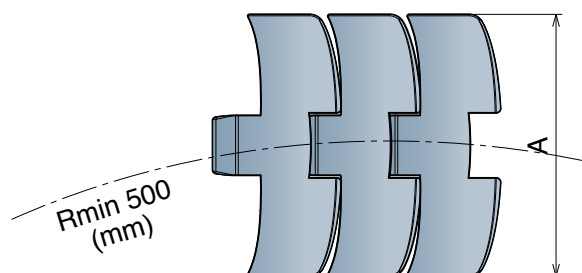
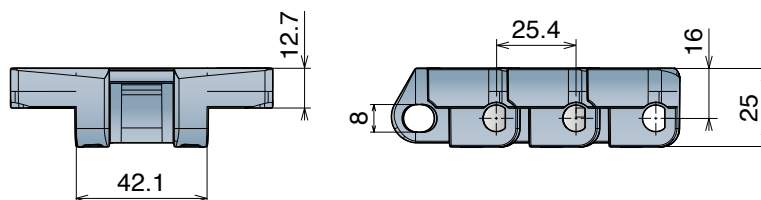
**MAGNETIC SYSTEM**

Delivery: **Easy** Standard

Pins: Ferritic SS

**25.4 mm**  
PITCH

Metric Size



|                    |             |             |             |
|--------------------|-------------|-------------|-------------|
| 10 feet<br>3.048 m |             |             |             |
| 120 links          | pg. 328-329 | pg. 148-154 | pg. 651>661 |

| Article-Nr.     | Ref.                     | A (Plate Width)<br>mm | Weight<br>kg/m | Max working<br>load (N) | Sideflex radius<br>mm | Material   |
|-----------------|--------------------------|-----------------------|----------------|-------------------------|-----------------------|------------|
| <b>11530103</b> | <b>LFA 261 M FT K330</b> | 83,8                  | 2,00           | 2000                    | 500                   | <b>LFA</b> |
| <b>11530105</b> | <b>LFA 261 M FT K450</b> | 114,3                 | 2,52           |                         |                       |            |
| <b>11530303</b> | <b>MX 261 M FT K330</b>  | 83,8                  | 2,00           | 1600                    | 500                   | <b>MX</b>  |
| <b>11530305</b> | <b>MX 261 M FT K450</b>  | 114,3                 | 2,52           |                         |                       |            |
| <b>11533003</b> | <b>PFX 261 M FT K330</b> | 83,8                  | 2,00           | 1600                    | 500                   | <b>PFX</b> |
| <b>11533005</b> | <b>PFX 261 M FT K450</b> | 114,3                 | 2,52           |                         |                       |            |
| <b>11531603</b> | <b>DKM 261 M FT K330</b> | 83,8                  | 2,00           | 2000                    | 500                   | <b>DKM</b> |
| <b>11531605</b> | <b>DKM 261 M FT K450</b> | 114,3                 | 2,52           |                         |                       |            |
| <b>11531703</b> | <b>MWX 261 M FT K330</b> | 83,8                  | 2,16           | 2000                    | 500                   | <b>MWX</b> |
| <b>11531705</b> | <b>MWX 261 M FT K450</b> | 114,3                 | 2,70           |                         |                       |            |

Tappeti modulari / Modular belts / Mattenketten

## 261 TAB

Catena curvilinea  
Sideflexing belt/chain / Kurvengängige Mattenkette

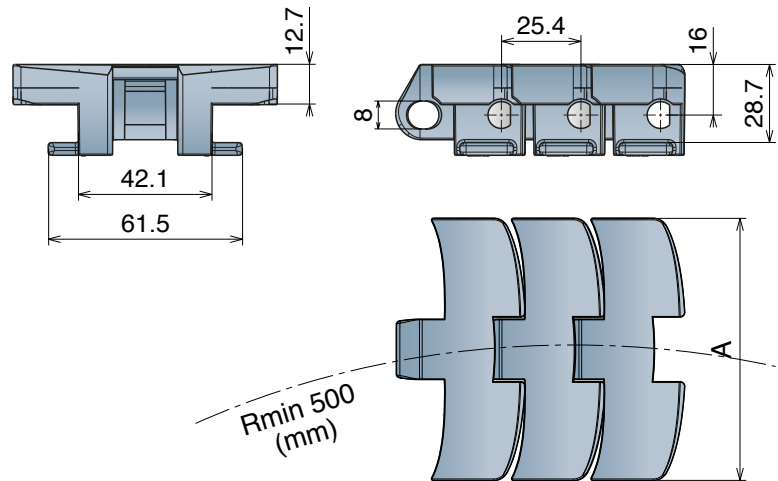
**TAB SYSTEM**

Delivery: **Easy** Standard

Pins: Ferritic SS

**25.4mm**  
PITCH

Metric Size



10 feet  
3.048 m  
120 links

pg. 328-329

pg. 163

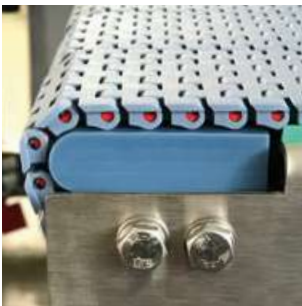
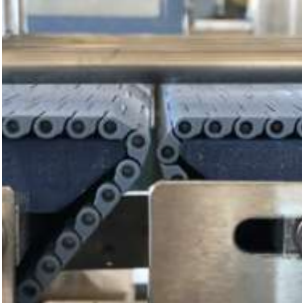
pg. 651>661

| Article-Nr. | Ref.             | A (Plate Width) mm | Weight kg/m | Max working load (N) | Sideflex radius mm | Material |
|-------------|------------------|--------------------|-------------|----------------------|--------------------|----------|
| 11900103    | LFA 261 TAB K330 | 83,8               | 2,00        | 2000                 | 500                | LFA      |
| 11900105    | LFA 261 TAB K450 | 114,3              | 2,52        |                      |                    |          |
| 11900303    | MX 261 TAB K330  | 83,8               | 2,00        | 1600                 | 500                | MX       |
| 11900305    | MX 261 TAB K450  | 114,3              | 2,52        |                      |                    |          |
| 11903003    | PFX 261 TAB K330 | 83,8               | 2,00        | 1600                 | 500                | PFX      |
| 11903005    | PFX 261 TAB K450 | 114,3              | 2,52        |                      |                    |          |
| 11901603    | DKM 261 TAB K330 | 83,8               | 2,00        | 2000                 | 500                | DKM      |
| 11901605    | DKM 261 TAB K450 | 114,3              | 2,52        |                      |                    |          |
| 11901703    | MWX 261 TAB K330 | 83,8               | 2,16        | 2000                 | 500                | MWX      |
| 11901705    | MWX 261 TAB K450 | 114,3              | 2,70        |                      |                    |          |

## NoseBars

RANGE EXTENSION

Movex NoseBars improve the efficiency of your production line.



Small products are becoming a challenge when they have to be transferred from head-to-tail, especially when they don't have a flat base like cans and petaloid bottles.

This is becoming even more critical when the line capacity is pushed to the limit and speeds or operating hours could compromise the required efficiency.

**Movex NoseBars are the best solution for a combination of short transfer and high performance.**

Moreover, they will let your line:

- Running with limited maintenance
- Exceeding in performances
- Achieving high speeds and loads

Paying specific attention during the development as well as during the automated production, together with our constant quality control checks, we have reached these features which can be reflected to all Movex products.

Movex NoseBars are suitable for all applications and conditions. Made from super-performance **BluLub®**, for a reduced coefficient of friction, the smallest gaps are reached between the belts to assure a smooth and precise transfer.

Movex NoseBars are available in three different versions: standard, with rollers and with bearings. Specific the executions with rollers and bearings are ideal for high speed and/or high load applications.

Less friction, longer lifetime, less belt elongation and less maintenance are facts which makes the Movex NoseBars reliable and longlasting products.

Find out the best combination for your application with our modular belts and NoseBars in the selection chart at page 272.

### **Blulub®**

*Do you know what it is?*

All Movex NoseBars are made with a compound developed by Movex, the **Blulub®**, a special high-performance material which contains the latest generation of solid lubricants.

The use of products made in **Blulub®** is designed for applications with limited lubrication, higher speeds and/or higher loads.

**Blulub®** requires less energy and with its lower coefficient of friction, improves the product stability and wear life of modular belts.

### **One piece**

**Custom made NoseBar, supplied in a single piece.**

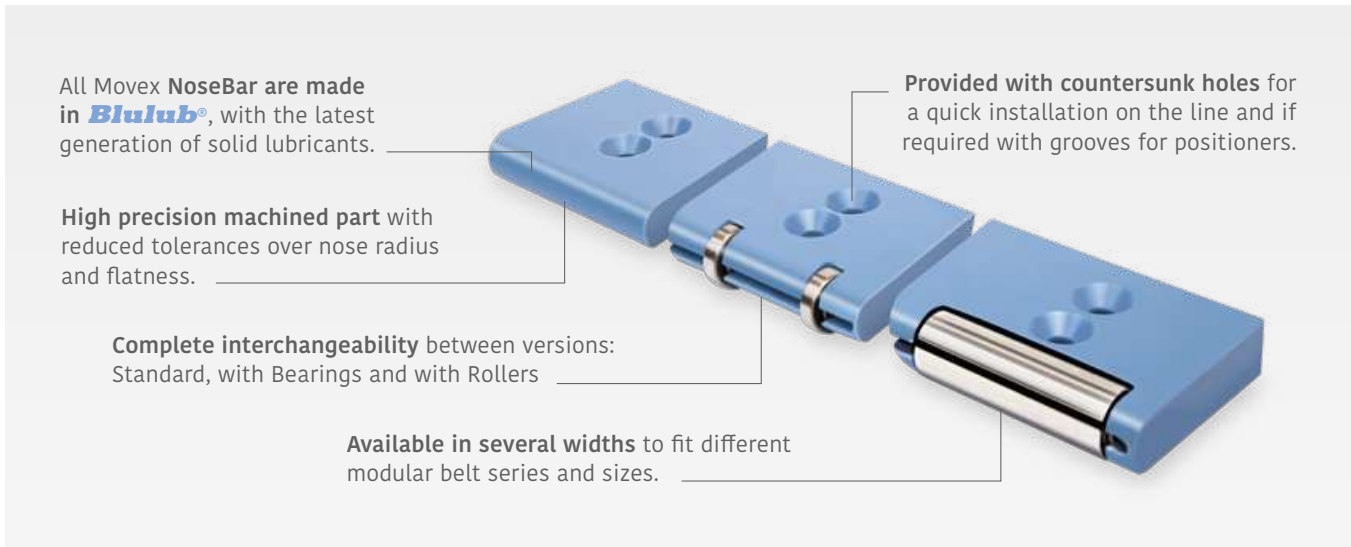
**One piece** is the patented system from Movex that reduces the required conveyor maintenance time drastically.

**One piece** is very quick to install and easy to clean!

More info at page 282>284

PATENTED





## Three different options, fully interchangeable:



### Standard

GENERAL APPLICATIONS

Static NoseBars with unique properties due the special Movex *BluLub*® compound are the ideal choice for any type of application, help improving the line efficiency, reducing dust and the frequency of maintenance.

- Available diameters: 6 / 19 / 22 mm
- Available also with grooves for positioners
- Can be machined to width, according your needs



### with Bearings

HIGH-SPEED APPLICATIONS

Dynamic NoseBars with Bearings help improving the line efficiency and grant a longer life compared to traditional ones, minimizing the coefficient of friction and generating less wear. The rotating chrome steel bearings create an improved situation specific for high-speed applications.

- Available diameters: 19 / 22 mm
- Available also with grooves for positioners
- Can be machined to width, according your needs




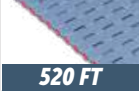


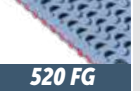




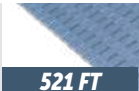
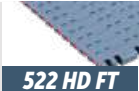





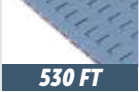


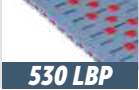

### with Rollers

HIGH-LOAD APPLICATIONS

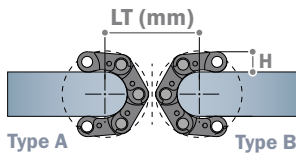
Dynamic NoseBars with Rollers and bearings are long-lasting component that increase the efficiency of the processing line. Thanks to its sturdy stainless steel rollers, they are also the ideal choice for heavy load applications or high abrasive working conditions like dusts, liquids, etc.

- Available diameter: 19 mm
- Available also with grooves for positioners (only for 521 FT)
- Can be machined to width, according your needs

## NoseBar selection and Transfer lengths

| Movex modular belts   |  |  |  | Belt Pitch (mm) | Nosebar Ø (mm) | STANDARD | WITH BEARINGS  | WITH ROLLERS   |
|---|--|--|--|-----------------|----------------|----------|----------------|----------------|
|    |  |  |  | 8               | 6              | Pag 273  | NOT APPLICABLE | NOT APPLICABLE |
|     |  |  |  | 12,7            | 19             | Pag 273  | Pag 277        | Pag 280        |
|     |  |  |  |                 |                |          |                |                |
|    |  |  |  | 12,7            | 19             | Pag 274  | Pag 277        | Pag 280        |
|     |  |  |  | 12,7            | 19             | Pag 274  | Pag 278        | Pag 281        |
|     |  |  |  | 15              | 19             | Pag 273  | Pag 277        | Pag 280        |
|     |  |  |  | 15              | 19             | Pag 275  | Pag 278        | Pag 281        |
|    |  |  |  | 15              | 19             | Pag 275  | Pag 279        | NOT APPLICABLE |
|    |  |  |  | 15              | 19             | Pag 276  | Pag 279        | NOT APPLICABLE |

Standard and with bearings NoseBars are also available with a diameter of 22mm, contact your sales representative for more info.



|                       |                        | Modular belt - Type B |           |        |        |           |           |           |        |        |           |         |             |             |         |
|-----------------------|------------------------|-----------------------|-----------|--------|--------|-----------|-----------|-----------|--------|--------|-----------|---------|-------------|-------------|---------|
|                       |                        | 510 FT                | 520 HD FT | 520 FG | 521 FT | 522 HD FT | 525 HD FT | 525 HD FG | 530 FT | 520 GT | 525 HD GT | 530 LBP | 530 PRO LBP | 520 PRO LBP | 520 LBP |
| Modular belt - Type A | 510 FT - H 6mm         | 22                    | 31        | 31     | 31     | 31        | 31        | 31        | 31     | 33     | 33        | 33,5    | 33,5        | 38,5        | 41,5    |
|                       | 520 HD FT - H 8,7mm    | 31                    | 40        | 40     | 40     | 40        | 40        | 40        | 40     | 42     | 42        | 43      | 43          | 48          | 51      |
|                       | 520 FG - H 8,7mm       | 31                    | 40        | 40     | 40     | 40        | 40        | 40        | 40     | 42     | 42        | 43      | 43          | 48          | 51      |
|                       | 521 FT - H 8,7mm       | 31                    | 40        | 40     | 40     | 40        | 40        | 40        | 40     | 42     | 42        | 43      | 43          | 48          | 51      |
|                       | 522 HD FT - H 8,7mm    | 31                    | 40        | 40     | 40     | 40        | 40        | 40        | 40     | 42     | 42        | 43      | 43          | 48          | 51      |
|                       | 525 HD FT - H 8,7mm    | 31                    | 40        | 40     | 40     | 40        | 40        | 40        | 40     | 42     | 42        | 43      | 43          | 48          | 51      |
|                       | 525 HD FG - H 8,7mm    | 31                    | 40        | 40     | 40     | 40        | 40        | 40        | 40     | 42     | 42        | 43      | 43          | 48          | 51      |
|                       | 530 FT - H 8,7mm       | 31                    | 40        | 40     | 40     | 40        | 40        | 40        | 40     | 42     | 42        | 43      | 43          | 48          | 51      |
|                       | 520 GT - H 10,7mm      | 33                    | 42        | 42     | 42     | 42        | 42        | 42        | 42     | 44     | 44        | 45      | 45          | 50          | 53      |
|                       | 525 HD GT - H 10,7mm   | 33                    | 42        | 42     | 42     | 42        | 42        | 42        | 42     | 44     | 44        | 45      | 45          | 50          | 53      |
|                       | 530 LBP - H 12,2mm     | 33,5                  | 43        | 43     | 43     | 43        | 43        | 43        | 43     | 45     | 45        | 45      | 45          | 50          | 53      |
|                       | 530 PRO LBP - H 12,2mm | 33,5                  | 43        | 43     | 43     | 43        | 43        | 43        | 43     | 45     | 45        | 45      | 45          | 50          | 53      |
|                       | 520 PRO LBP - H 18mm   | 38,5                  | 48        | 48     | 48     | 48        | 48        | 48        | 48     | 50     | 50        | 50      | 50          | 55          | 58      |
|                       | 520 LBP - H 20,7mm     | 41,5                  | 51        | 51     | 51     | 51        | 51        | 51        | 51     | 53     | 53        | 53      | 53          | 58          | 61      |



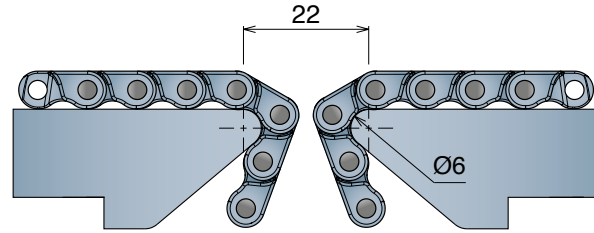
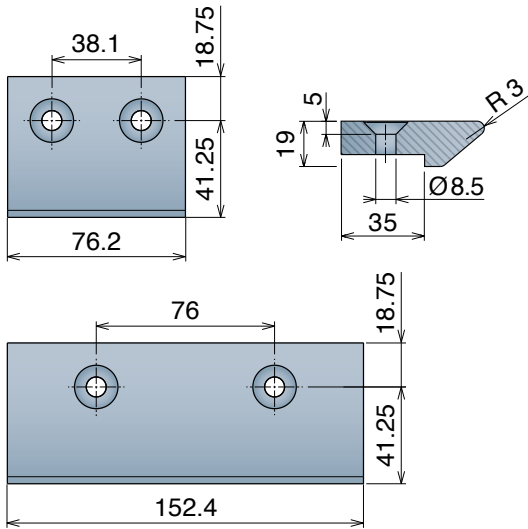
## NoseBars for 510 Series

Delivery: **Easy** **Standard**

Article-Nr. K (mm)

**22818** 76,2 (3')

**22819** 152,4 (6')



## NoseBars for 520/525 Series

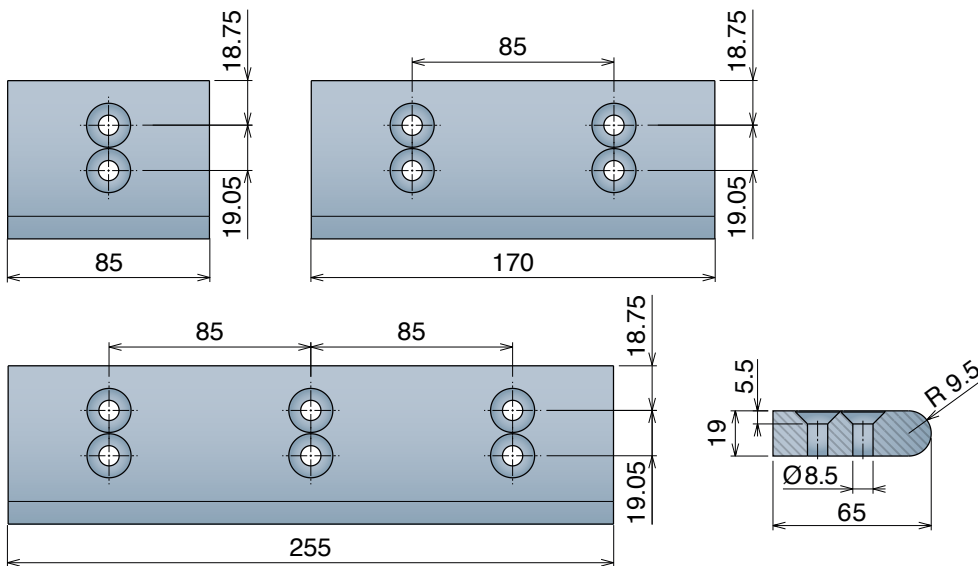
Delivery: **Easy** **Standard**

Article-Nr. K (mm)

**22801** 85

**22802** 170

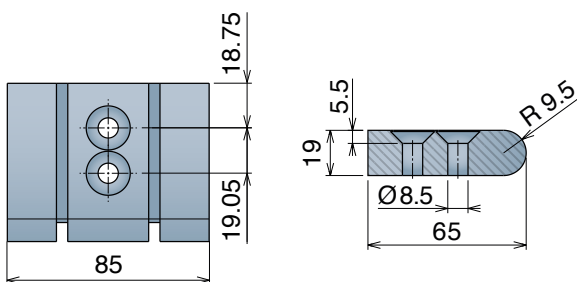
**22803** 255



Version B - With 1 Positioner | Version C - With 2 Positioners

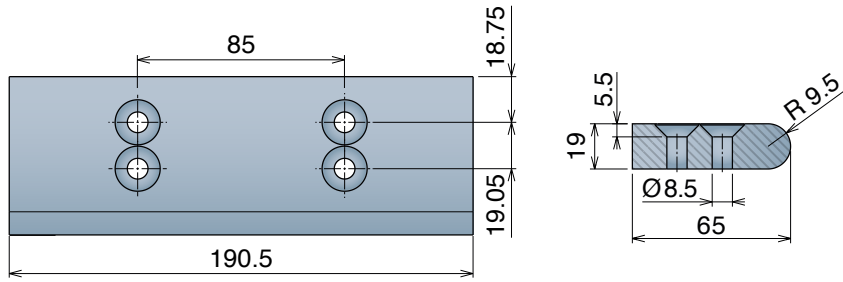
Article-Nr. K (mm)

**22807** 85



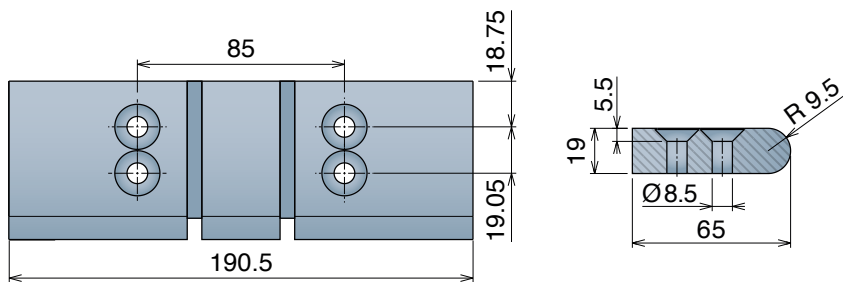
## NoseBars for 521 Series

| Article-Nr.  | K (mm)       |
|--------------|--------------|
| <b>22840</b> | 190,5 (7.5') |



### Version B - With 1 Positioner | Version C - With 2 Positioners

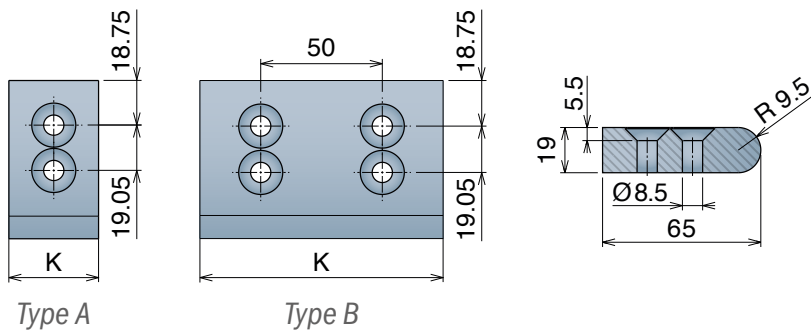
| Article-Nr.  | K (mm)       |
|--------------|--------------|
| <b>22843</b> | 190,5 (7.5') |



## NoseBars for 522 HD Series

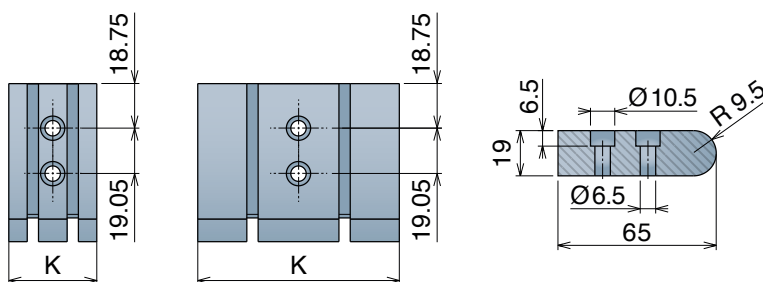
Delivery: **Easy** Standard

| Article-Nr.  | K (mm)    | Type |
|--------------|-----------|------|
| <b>22820</b> | 29        | A    |
| <b>22821</b> | 34        | A    |
| <b>22822</b> | 37        | A    |
| <b>22823</b> | 51 (2')   | A    |
| <b>22808</b> | 76,2 (3') | A    |
| <b>22824</b> | 100       | B    |



### Version B - With 1 Positioner | Version C - With 2 Positioners

| Article-Nr.   | K (mm)    |
|---------------|-----------|
| <b>22820P</b> | 29        |
| <b>22821P</b> | 34        |
| <b>22822P</b> | 37        |
| <b>22823P</b> | 51 (2')   |
| <b>22808P</b> | 76,2 (3') |

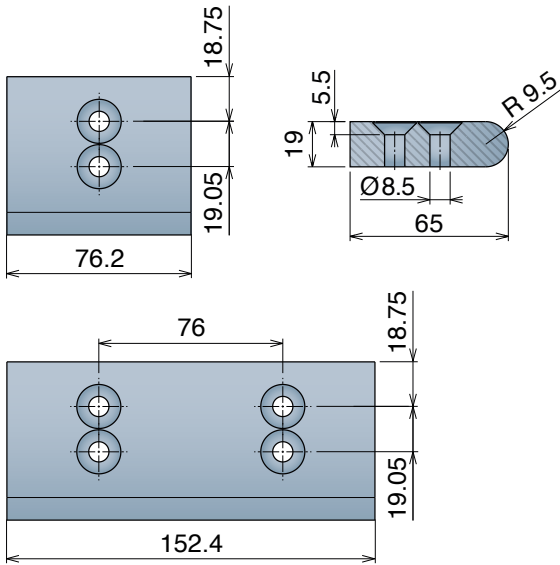


## NoseBars for 530 Series

(LBP version excluded)

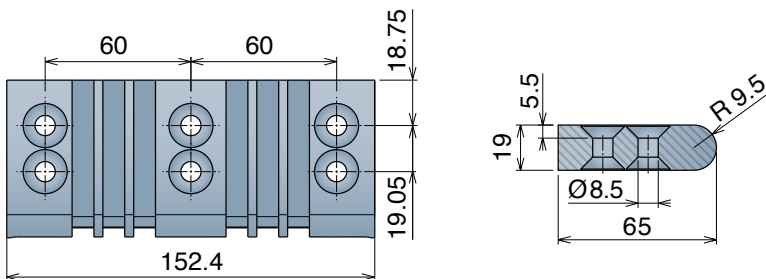
Delivery: **Easy** **Standard**

| Article-Nr. | K (mm)     |
|-------------|------------|
| 22808       | 76,2 (3')  |
| 22809       | 152,4 (6') |



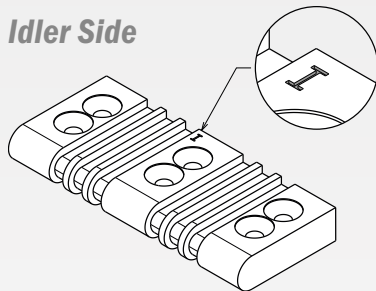
## NoseBar for 530 LBP

| Article-Nr. | K (mm)     |
|-------------|------------|
| 22867       | 152,4 (6') |

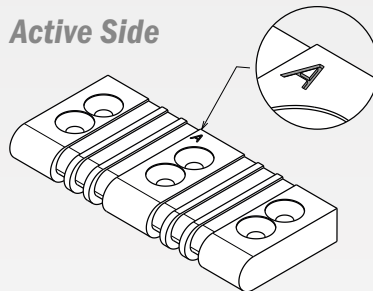


### How to use Movex 530 LBP double-face Nosebar

**Idler Side**

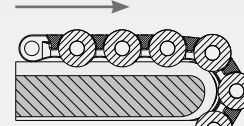


**Active Side**



Movex 530 LBP Nosebars are special Nosebars, specific to optimize the characteristics of this particular belt. It can be installed in two different ways: **idler side** and **active side**, depending if you want to obtain the accumulation or acceleration effects of the goods. In both modalities the same Nosebar is used: it simply needs to be installed on one side rather than the other. One face of the Nosebar is set up for the accumulation function and the opposite one for the acceleration function.

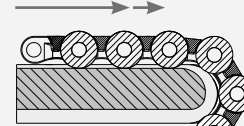
$V = X$



**Idler System (sectional view)**

The nosebar allows the belts rollers to remain raised above the surface, free to roll.

$V = 2X$

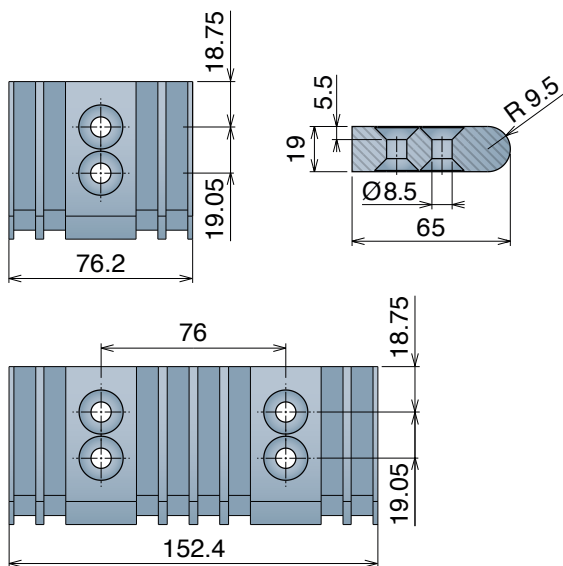


**Active System (sectional view)**

The nosebar allows the belt rollers to touch the surface, increasing the speed of the goods.

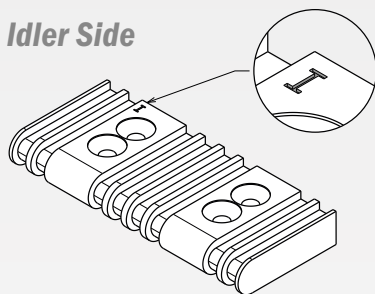
## NoseBar for 530 PRO LBP

| Article-Nr. | K (mm)     |
|-------------|------------|
| 22865       | 76,2 (3')  |
| 22866       | 152,4 (6') |

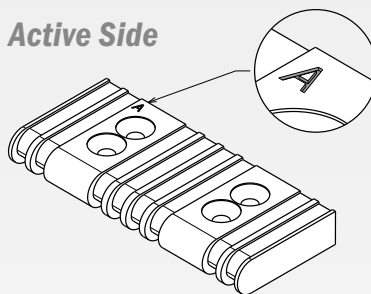


### How to use Movex 530 Pro LBP double-face Nosebar

**Idler Side**

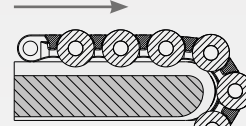


**Active Side**



**Movex 530 Pro LBP Nosebars are special Nosebars, specific to optimize the characteristics of this particular belt.** It can be installed in two different ways: **idler side** and **active side**, depending if you want to obtain the accumulation or acceleration effects of the goods. In both modalities the same Nosebar is used: it simply needs to be installed on one side rather than the other. One face of the Nosebar is set up for the accumulation function and the opposite one for the acceleration function.

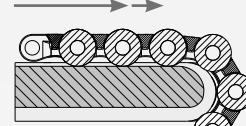
**V = X**



**Idler System (sectional view)**

The nosebar allows the belts rollers to remain raised above the surface, free to roll.

**V = 2X**

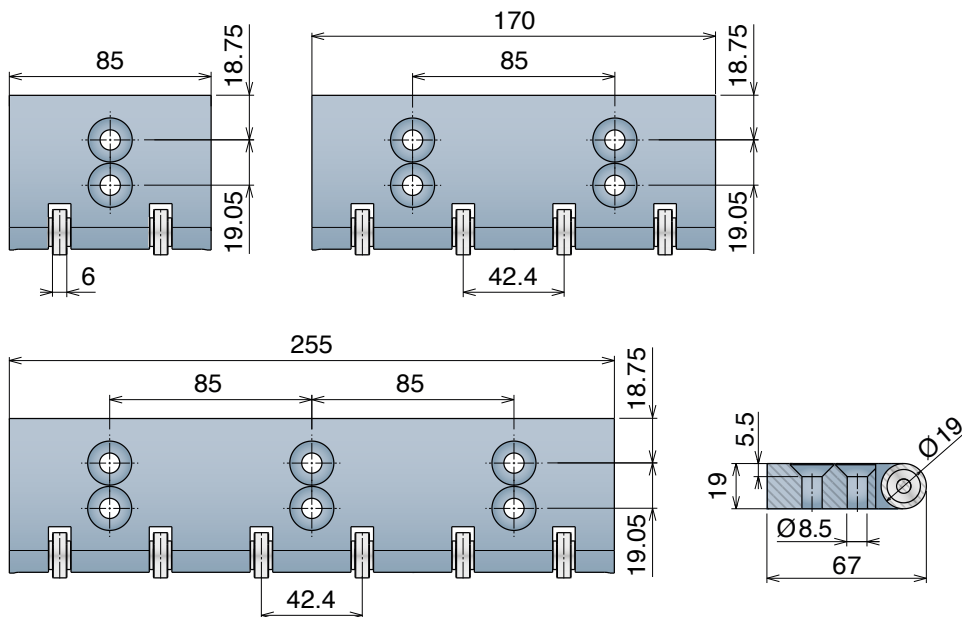


**Active System (sectional view)**

The nosebar allows the belt rollers to touch the surface, increasing the speed of the goods.

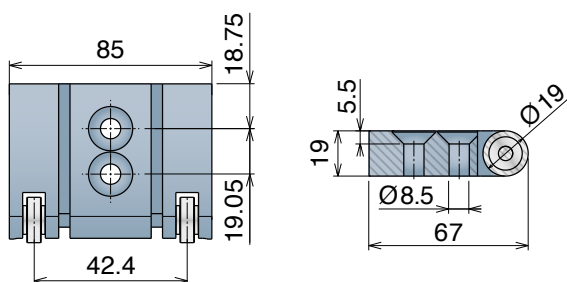
## NoseBars with Bearings for 520/525 Series

Delivery: **Easy** Standard



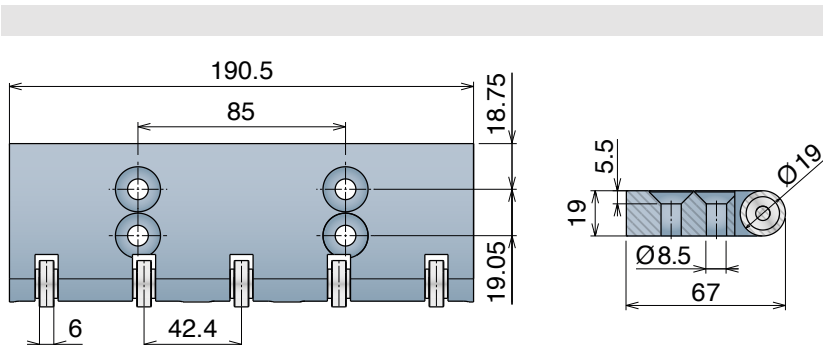
| Article-Nr. | K (mm) |
|-------------|--------|
| 22811       | 85     |
| 22812       | 170    |
| 22813       | 255    |

Version B - With 1 Positioner | Version C - With 2 Positioners



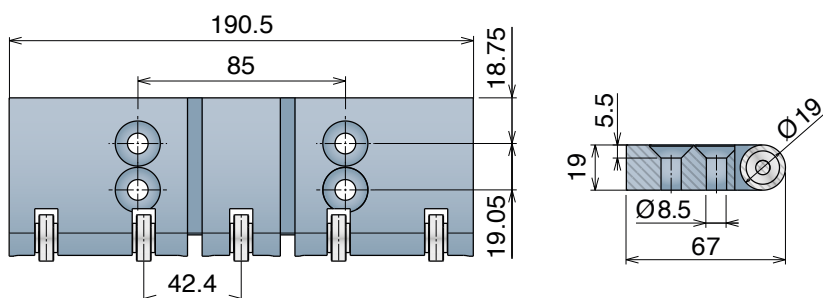
| Article-Nr. | K (mm) |
|-------------|--------|
| 22817       | 85     |

## NoseBars with Bearings for 521 Series



| Article-Nr. | K (mm)       |
|-------------|--------------|
| 22842C      | 190.5 (7.5') |

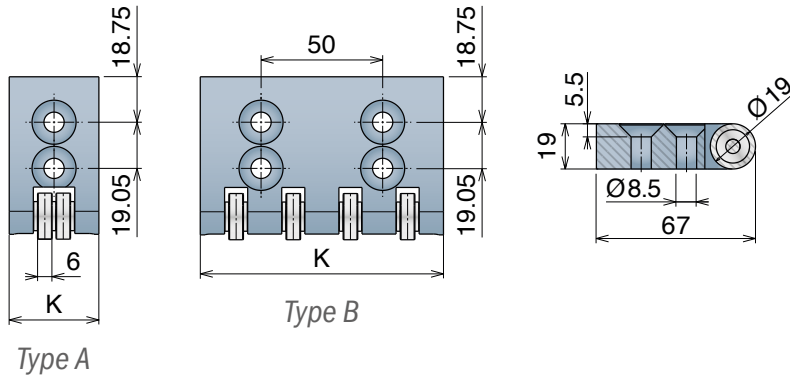
Version B - With 1 Positioner | Version C - With 2 Positioners



| Article-Nr. | K (mm)       |
|-------------|--------------|
| 22845C      | 190.5 (7.5') |

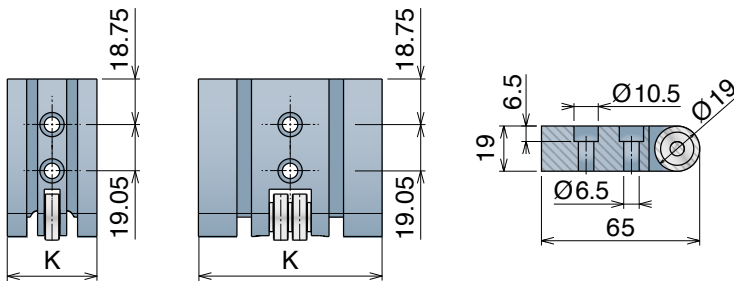
## NoseBars with Bearings for 522 HD Series

Delivery: **Easy** Standard



| Article-Nr. | K (mm)    | Type |
|-------------|-----------|------|
| 22850       | 29        | A    |
| 22851       | 34        | A    |
| 22852       | 37        | A    |
| 22853       | 51 (2')   | A    |
| 22861       | 76,2 (3') | A    |
| 22854       | 100       | B    |

Version B - With 1 Positioner | Version C - With 2 Positioners

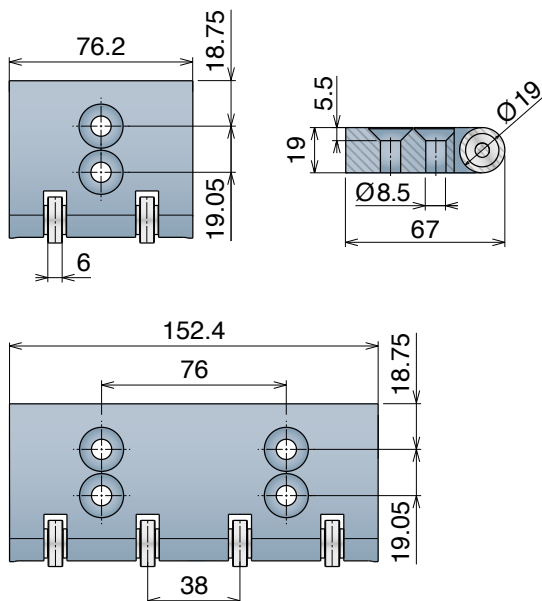


| Article-Nr. | K (mm)    |
|-------------|-----------|
| 22850P      | 29        |
| 22851P      | 34        |
| 22852P      | 37        |
| 22853P      | 51 (2')   |
| 22861P      | 76,2 (3') |

## NoseBars with Bearings for 530 Series

(LBP version excluded)

Delivery: **Easy** Standard

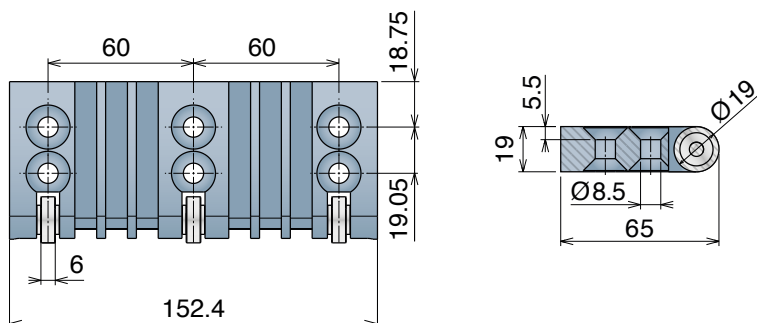


| Article-Nr. | K (mm)     |
|-------------|------------|
| 22861       | 76,2 (3')  |
| 22862       | 152,4 (6') |

## NoseBar with Bearings for 530 LBP

Article-Nr. K (mm)

22868 152,4 (6')



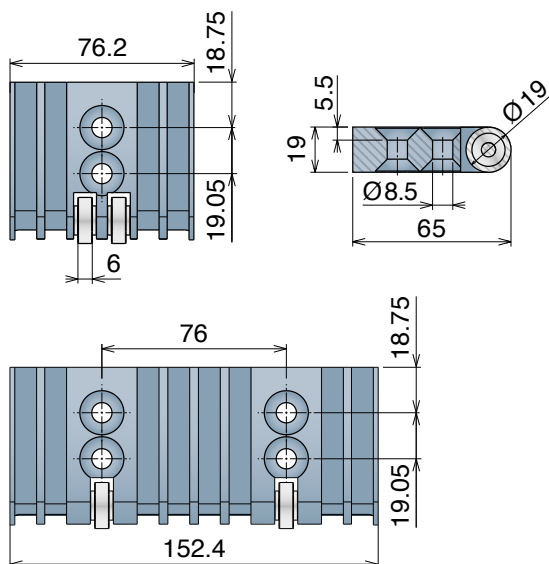
## NoseBars with Bearings for 530 PRO LBP

Delivery: **Easy** Standard

Article-Nr. K (mm)

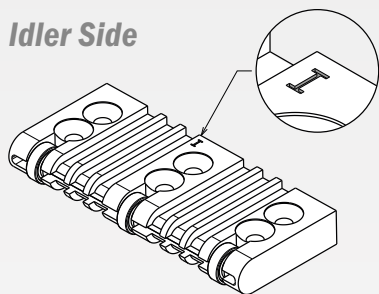
22863 76,2 (3')

22864 152,4 (6')

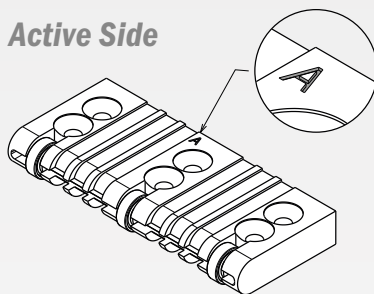


### How to use Movex 530 LBP and Pro LBP double-face Nosebar

#### Idler Side

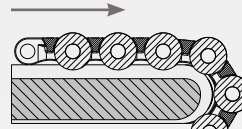


#### Active Side



Movex 530 LBP and Pro LBP Nosebars are special Nosebars, specific to optimize the characteristics of this particular belt. It can be installed in two different ways: **idler side** and **active side**, depending if you want to obtain the accumulation or acceleration effects of the goods. In both modalities the same Nosebar is used: it simply needs to be installed on one side rather than the other. One face of the Nosebar is set up for the accumulation function and the opposite one for the acceleration function.

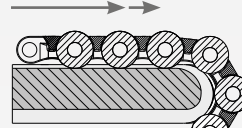
$V = X$



#### Idler System (sectional view)

The nosebar allows the belts rollers to remain raised above the surface, free to roll.

$V = 2X$



#### Active System (sectional view)

The nosebar allows the belt rollers to touch the surface, increasing the speed of the goods.

# NoseBars with Rollers

NoseBars / NoseBars / NoseBars

Materiale / Material / Materialien:

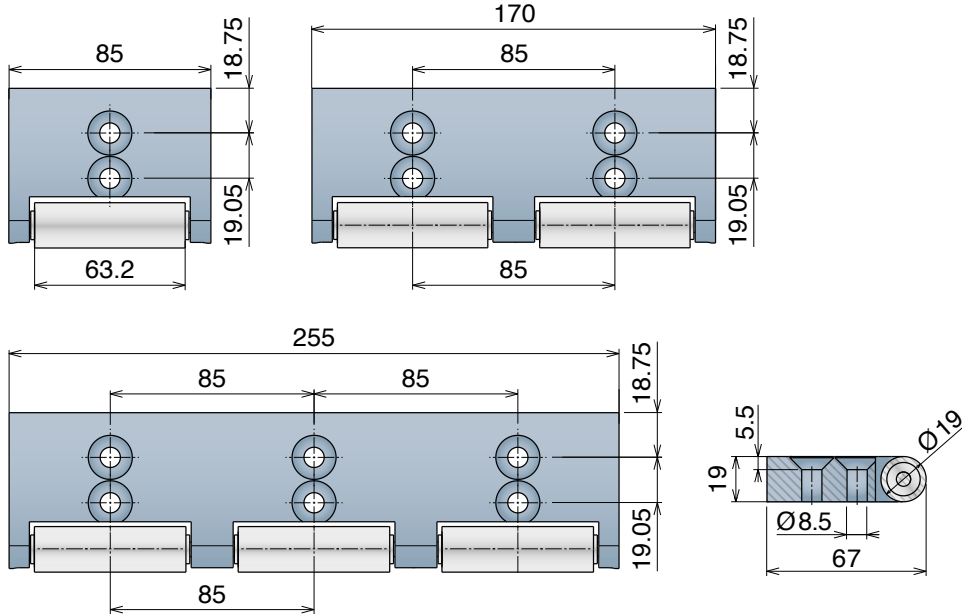
BluLub Cuscinetti: Acciaio al cromo / Bearings: Chrome steel / Lagereinsätze: Chrom-Stahl

Rulli: Acciaio inox / Rollers: Stainless steel / Rollen: Edelstahl

## NoseBars with Rollers for 520/525 HD Series

Delivery: **Easy** Standard

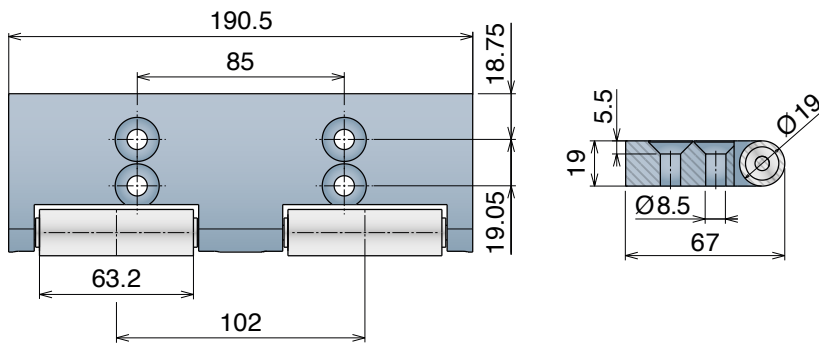
Article-Nr. K (mm)



|       |     |
|-------|-----|
| 22814 | 85  |
| 22815 | 170 |
| 22816 | 255 |

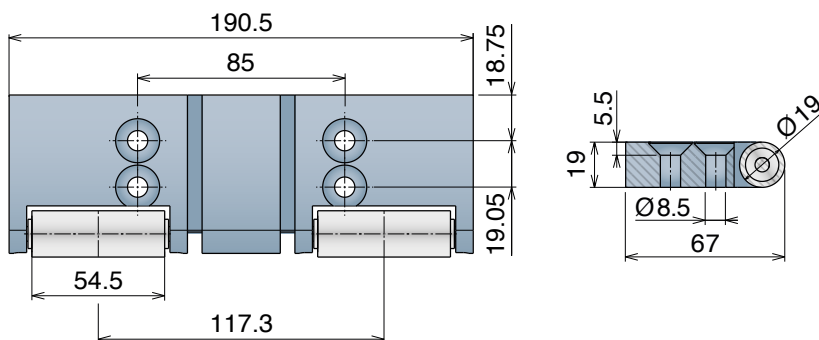
## NoseBars with Rollers for 521 Series

Article-Nr. K (mm)



|        |              |
|--------|--------------|
| 22841B | 190.5 (7.5') |
|--------|--------------|

Version B - With 1 Positioner | Version C - With 2 Positioners

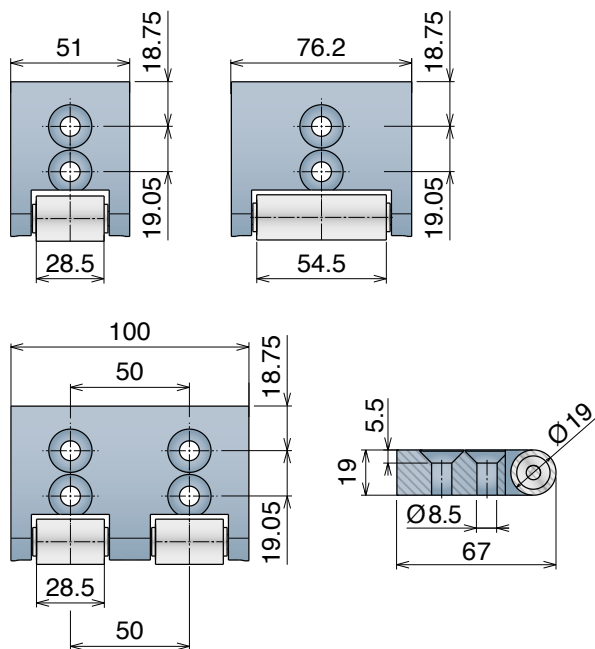


Article-Nr. K (mm)

|        |              |
|--------|--------------|
| 22844B | 190.5 (7.5') |
|--------|--------------|



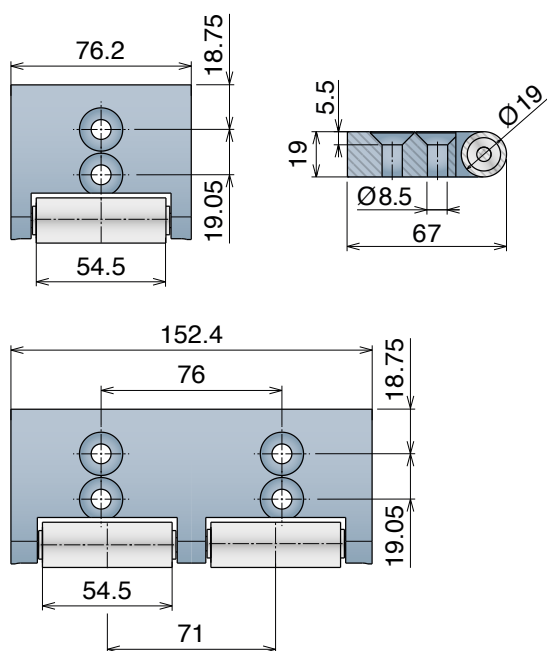
## NoseBars with Rollers for 522 HD Series



| Article-Nr.   | K (mm)    |
|---------------|-----------|
| <b>22823B</b> | 51 (2')   |
| <b>22808B</b> | 76,2 (3') |
| <b>22824B</b> | 100       |

## NoseBars with Rollers for 530 Series

(LBP version excluded)



| Article-Nr.   | K (mm)     |
|---------------|------------|
| <b>22808B</b> | 76,2 (3')  |
| <b>22809B</b> | 152,4 (6') |

## One piece Standard

RANGE EXTENSION

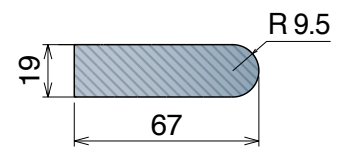
PATENTED

IDEAL FOR GENERAL APPLICATIONS

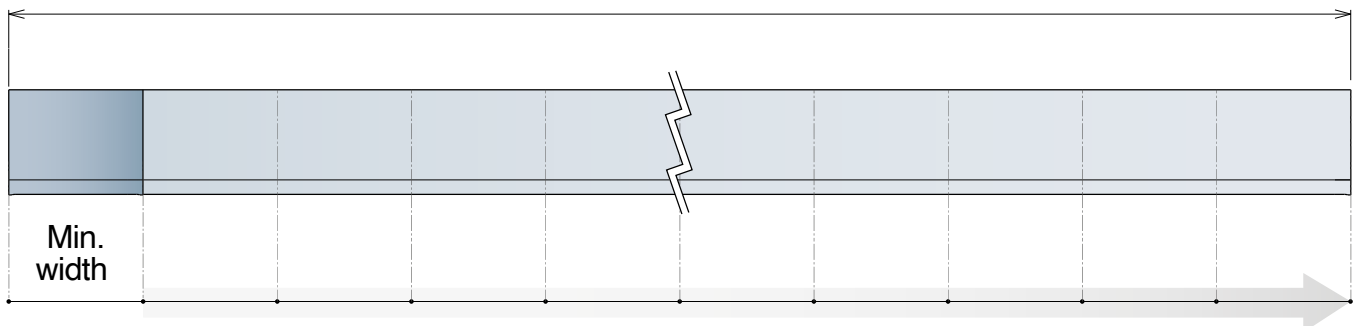
The custom made Movex Nosebars supplied in a single piece to perfectly match your needs.



**One piece** is a machined-to-width nosebar patented by Movex that greatly reduces the time necessary for the conveyor maintenance: being a single piece, of the required width, it is quick to install, easy to clean and offer a better level of hygiene.



Max width available = 1500 mm



### 520/525 Series

Min width:  
85 mm

| Article-Nr. | K (mm) |
|-------------|--------|
| 2280425     | 425    |
| 2280510     | 510    |
| 2280595     | 595    |
| 2280680     | 680    |
| 2280765     | 765    |
| 2280850     | 850    |

### 522 HD Series

Min width:  
50 mm

| Article-Nr. | K (mm) |
|-------------|--------|
| 2280200     | 200    |
| 2280250     | 250    |
| 2280300     | 300    |
| 2280350     | 350    |
| 2280400     | 400    |
| 2280450     | 450    |

### 530 Series

Min width:  
3 inch

| Article-Nr. | K (mm) |
|-------------|--------|
| 2280457     | 457,2  |
| 2280533     | 533,4  |
| 2280610     | 609,6  |
| 2280686     | 685,8  |
| 2280762     | 762    |
| 2280838     | 838,2  |

Available different widths and with holes on request.

### Advantages:

- Single piece
- Improved strength
- Less fixing point
- Fast maintenance
- Hygienical concept
- Easy clean
- Easy to install
- Reduced friction

## One piece with Bearings

RANGE EXTENSION

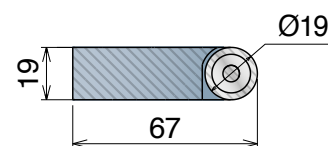
PATENTED

IDEAL FOR HIGH-SPEED APPLICATIONS

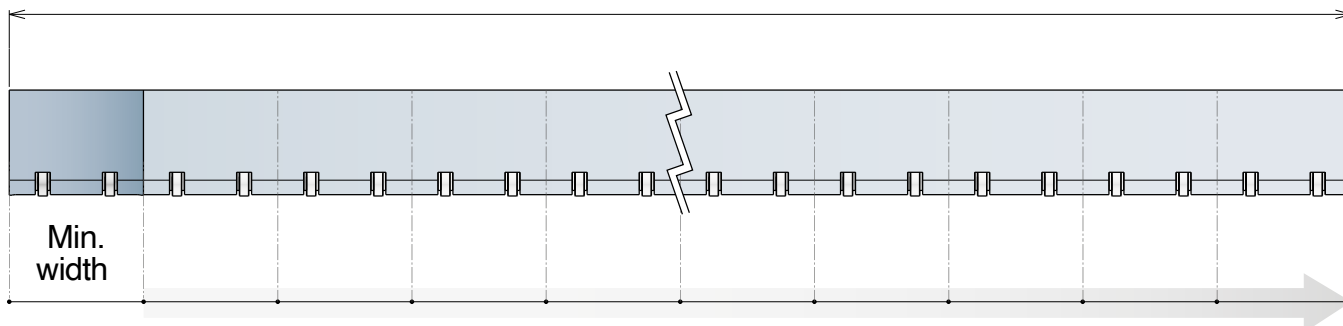
The custom made Movex Nosebars supplied in a single piece to perfectly match your needs.



**One piece with Bearings** is a machined-to-width nosebar patented by Movex that greatly reduces the time necessary for the conveyor maintenance: being a single piece with bearings, of the required width, it is quick to install, easy to clean, offers a better level of hygiene and is ideal for high-speed applications.



Max width available = 1500 mm



### 520/525 Series

Min width:  
85 mm

| Article-Nr. | K (mm) |
|-------------|--------|
| 2280425C    | 425    |
| 2280510C    | 510    |
| 2280595C    | 595    |
| 2280680C    | 680    |
| 2280765C    | 765    |
| 2280850C    | 850    |

### 522 HD Series

Min width:  
50 mm

| Article-Nr. | K (mm) |
|-------------|--------|
| 2280200C    | 200    |
| 2280250C    | 250    |
| 2280300C    | 300    |
| 2280350C    | 350    |
| 2280400C    | 400    |
| 2280450C    | 450    |

### 530 Series

Min width:  
3 inch

| Article-Nr. | K (mm) |
|-------------|--------|
| 2280457C    | 457,2  |
| 2280533C    | 533,4  |
| 2280610C    | 609,6  |
| 2280686C    | 685,8  |
| 2280762C    | 762    |
| 2280838C    | 838,2  |

Available different widths and with holes on request.

### Advantages:

- Single piece
- Less fixing point
- Hygienical concept
- Easy to install
- Improved strength
- Fast maintenance
- Easy clean
- Reduced friction

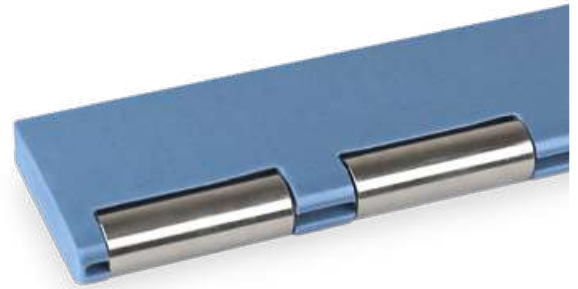
## One piece with Rollers

RANGE EXTENSION

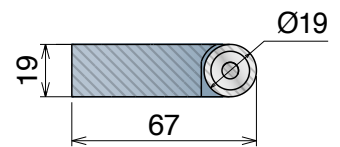
PATENTED

IDEAL FOR HIGH-LOAD APPLICATIONS

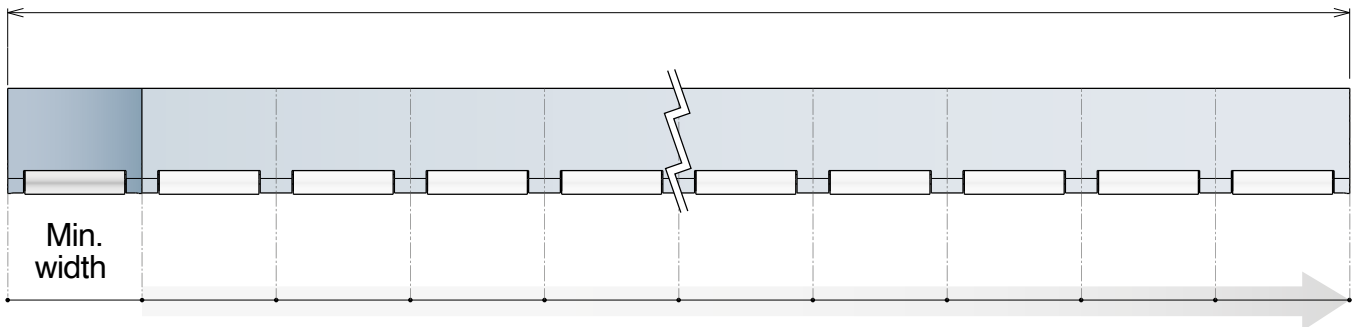
The custom made Movex Nosebars supplied in a single piece to perfectly match your needs.



One piece with Rollers and bearings is a machined-to-width nosebar patented by Movex that greatly reduces the time necessary for the conveyor maintenance: being a single piece with Rollers, of the required width, it is quick to install, easy to clean, offers a better level of hygiene and is ideal for heavy-load applications.



Max width available = 1500 mm



### 520/525 Series

Min width:  
85 mm

| Article-Nr. | K (mm) |
|-------------|--------|
| 2280425B    | 425    |
| 2280510B    | 510    |
| 2280595B    | 595    |
| 2280680B    | 680    |
| 2280765B    | 765    |
| 2280850B    | 850    |

### 522 HD Series

Min width:  
50 mm

| Article-Nr. | K (mm) |
|-------------|--------|
| 2280200B    | 200    |
| 2280250B    | 250    |
| 2280300B    | 300    |
| 2280350B    | 350    |
| 2280400B    | 400    |
| 2280450B    | 450    |

### 530 Series

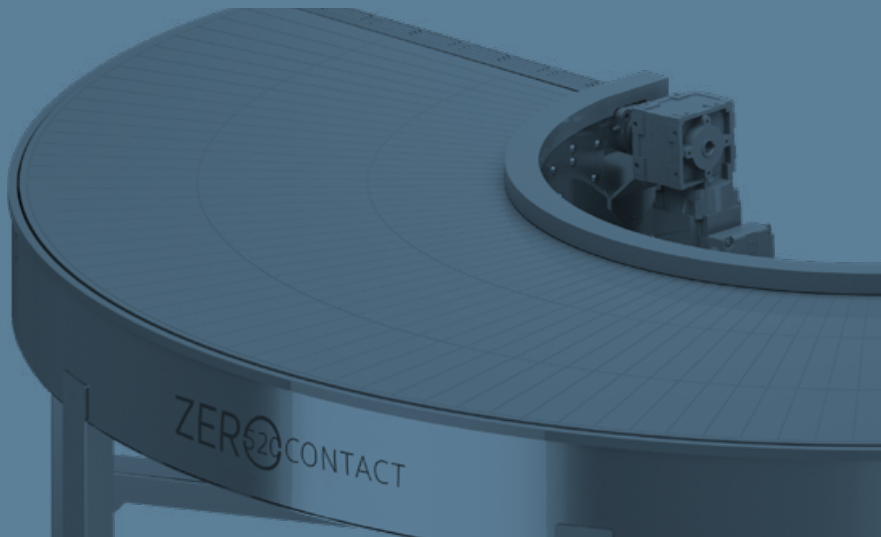
Min width:  
3 inch

| Article-Nr. | K (mm) |
|-------------|--------|
| 2280457B    | 457,2  |
| 2280533B    | 533,4  |
| 2280610B    | 609,6  |
| 2280686B    | 685,8  |
| 2280762B    | 762    |
| 2280838B    | 838,2  |

Available different widths and with holes on request.

### Advantages:

- Single piece
- Improved strength
- Less fixing point
- Fast maintenance
- Hygienical concept
- Easy clean
- Easy to install
- Reduced friction




**ZEROC52CONTACT**  
CURVE CONVEYOR

Pag 286/287



**ZEROPROCONTACT**  
CURVE CONVEYOR

Pag 288/289



**ZEROPROCONTACT**  
CURVE CONVEYOR  
TWO TRACKS VERSION

Pag 290/291



**ZEROC52CONTACTS**  
CURVE CONVEYOR

Pag 292/293

Accessories - Floor support



**ZEROC52CONTACT**  
STANDARD, PRO & S

Pag 294

Accessories - Gearmotors



**ZEROC52CONTACT**  
STANDARD, PRO & S

Pag 295



**ZEROC51CATP**  
ACTIVE TRANSFER PLATE

Pag 296/297



**ZEROPRO51CATP**  
ACTIVE TRANSFER PLATE

Pag 298/300



**553 SORTER+**  
MULTIDIRECTIONAL CONVEYOR

Pag 301 > 304

Accessories - Floor support and Gearmotors



**553 SORTER+**  
FOR ALL VERSIONS AVAILABLE

Pag 305

Accessories - Photocells and guides



**553 SORTER+**  
FOR ALL VERSIONS AVAILABLE

Pag 306

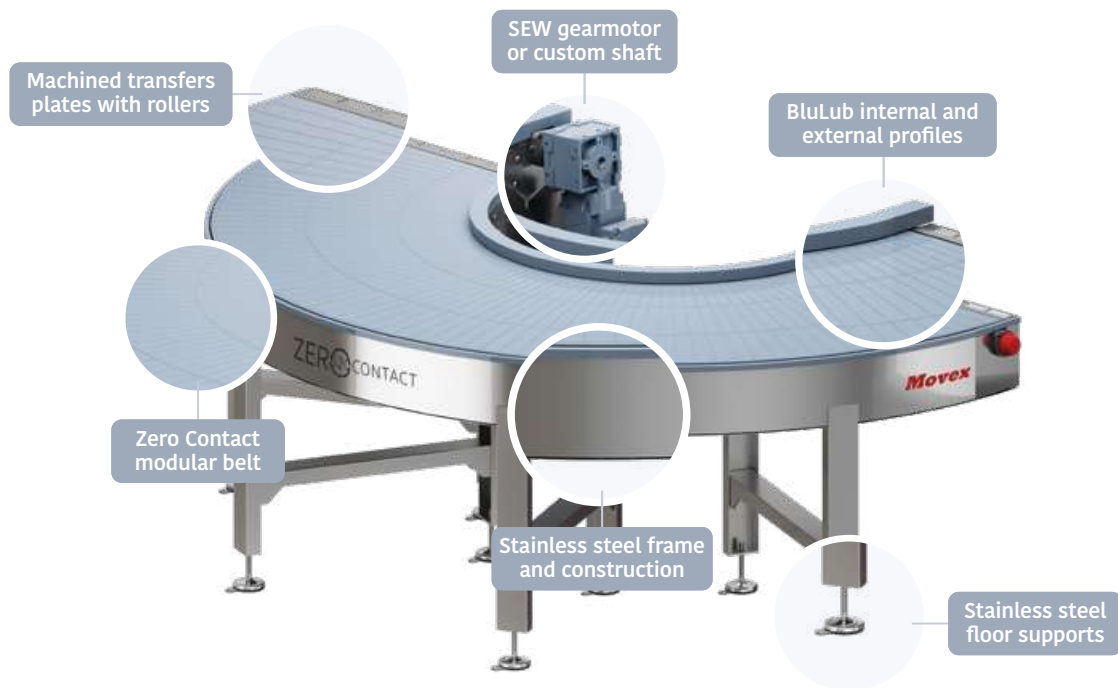


**QUOTE MODULES**  
FOR ALL MODULAR SOLUTIONS

Pag 307 > 310

## ZERO CONTACT

### CURVE CONVEYOR



### Product use

Zero Contact™ curve conveyor is available in different widths with a closed-top surface capable of handling a variety of package sizes, types and configurations including delicate products and applications found on shrink wrappers.

Zero Contact™ is designed to be used for the transport of various sized parts, is suitable for food and beverage industry thanks to the FDA approval, and helps reducing energy consumption and improving the line efficiency. It can be easily connected to existing layout.



**INNER RADIUS** 600mm ÷ 2000mm

**BELT WIDTH** 200mm ÷ 1600mm

**MATERIAL OF MODULES** Acetal (POM)

**COLOR OF MODULES** Pigeon Blue (RAL 5014)

**PINS PBT** White

**PIN LOCK** Clips

**FRAME** Stainless steel

**TEMPERATURE RANGE**

Dry: -40°C÷80°C Wet: -40°C ÷65°C

(Dry:-40°F ÷ 176°F Wet: -40°F ÷ 149°F)

**MAX. WORKING LOAD**

13.500 N/m belt width

**CURVE ANGLE** 15° ÷ 360°

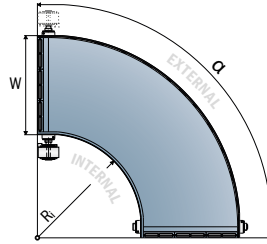
**OPEN AREA** 0%

Delivery: **Easy** Standard

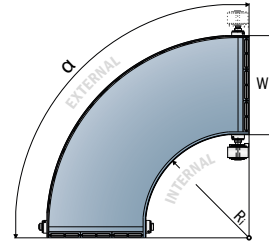
## CURVES RANGE

Angle 90°

Left Version **CS**



**CD** Right Version



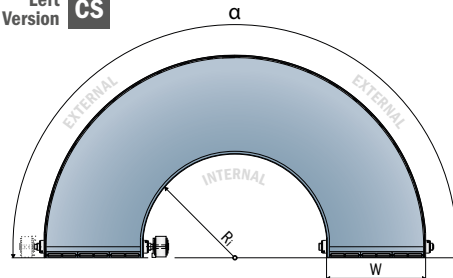
| Width  | Version | R <sub>i</sub> 600mm | R <sub>i</sub> 800mm | R <sub>i</sub> 1000mm | R <sub>i</sub> 1200mm | R <sub>i</sub> 1400mm | R <sub>i</sub> 1600mm | R <sub>i</sub> 1800mm | R <sub>i</sub> 2000mm |
|--------|---------|----------------------|----------------------|-----------------------|-----------------------|-----------------------|-----------------------|-----------------------|-----------------------|
| 200mm  | RIGHT   | W02R06G090-CD        | W02R08G090-CD        | W02R10G090-CD         | W02R12G090-CD         | W02R14G090-CD         | W02R16G090-CD         | W02R18G090-CD         | W02R20G090-CD         |
|        | LEFT    | W02R06G090-CS        | W02R08G090-CS        | W02R10G090-CS         | W02R12G090-CS         | W02R14G090-CS         | W02R16G090-CS         | W02R18G090-CS         | W02R20G090-CS         |
| 400mm  | RIGHT   | W04R06G090-CD        | W04R08G090-CD        | W04R10G090-CD         | W04R12G090-CD         | W04R14G090-CD         | W04R16G090-CD         | W04R18G090-CD         | -                     |
|        | LEFT    | W04R06G090-CS        | W04R08G090-CS        | W04R10G090-CS         | W04R12G090-CS         | W04R14G090-CS         | W04R16G090-CS         | W04R18G090-CS         | -                     |
| 600mm  | RIGHT   | W06R06G090-CD        | W06R08G090-CD        | W06R10G090-CD         | W06R12G090-CD         | W06R14G090-CD         | W06R16G090-CD         | -                     | -                     |
|        | LEFT    | W06R06G090-CS        | W06R08G090-CS        | W06R10G090-CS         | W06R12G090-CS         | W06R14G090-CS         | W06R16G090-CS         | -                     | -                     |
| 800mm  | RIGHT   | W08R06G090-CD        | W08R08G090-CD        | W08R10G090-CD         | W08R12G090-CD         | W08R14G090-CD         | -                     | -                     | -                     |
|        | LEFT    | W08R06G090-CS        | W08R08G090-CS        | W08R10G090-CS         | W08R12G090-CS         | W08R14G090-CS         | -                     | -                     | -                     |
| 1000mm | RIGHT   | W10R06G090-CD        | W10R08G090-CD        | W10R10G090-CD         | W10R12G090-CD         | -                     | -                     | -                     | -                     |
|        | LEFT    | W10R06G090-CS        | W10R08G090-CS        | W10R10G090-CS         | W10R12G090-CS         | -                     | -                     | -                     | -                     |
| 1200mm | RIGHT   | W12R06G090-CD        | W12R08G090-CD        | W12R10G090-CD         | -                     | -                     | -                     | -                     | -                     |
|        | LEFT    | W12R06G090-CS        | W12R08G090-CS        | W12R10G090-CS         | -                     | -                     | -                     | -                     | -                     |
| 1400mm | RIGHT   | W14R06G090-CD        | W14R08G090-CD        | -                     | -                     | -                     | -                     | -                     | -                     |
|        | LEFT    | W14R06G090-CS        | W14R08G090-CS        | -                     | -                     | -                     | -                     | -                     | -                     |
| 1600mm | RIGHT   | W16R06G090-CD        | -                    | -                     | -                     | -                     | -                     | -                     | -                     |
|        | LEFT    | W16R06G090-CS        | -                    | -                     | -                     | -                     | -                     | -                     | -                     |

These codes mean complete curve, except floor supports and gearmotor, if you need to include them please see page 294/295.

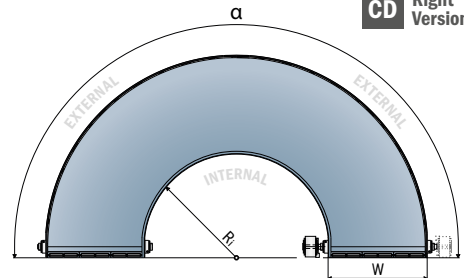
## CURVES RANGE

Angle 180°

Left Version **CS**



**CD** Right Version



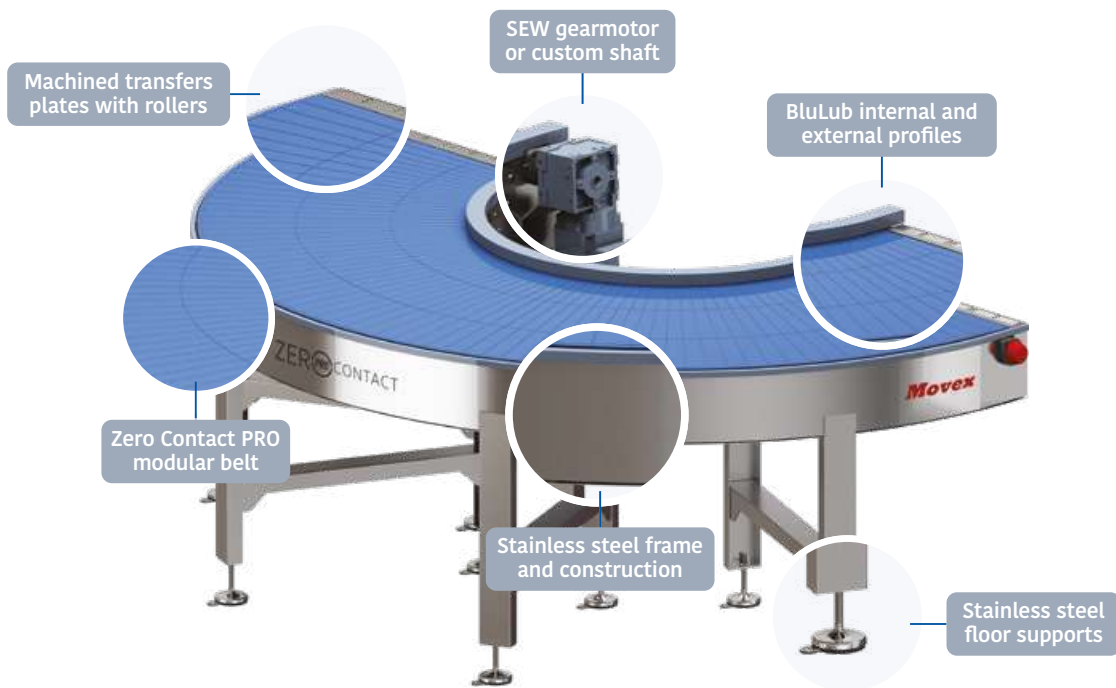
| Width  | Version | R <sub>i</sub> 600mm | R <sub>i</sub> 800mm | R <sub>i</sub> 1000mm | R <sub>i</sub> 1200mm | R <sub>i</sub> 1400mm | R <sub>i</sub> 1600mm | R <sub>i</sub> 1800mm | R <sub>i</sub> 2000mm |
|--------|---------|----------------------|----------------------|-----------------------|-----------------------|-----------------------|-----------------------|-----------------------|-----------------------|
| 200mm  | RIGHT   | W02R06G180-CD        | W02R08G180-CD        | W02R10G180-CD         | W02R12G180-CD         | W02R14G180-CD         | W02R16G180-CD         | W02R18G180-CD         | W02R20G180-CD         |
|        | LEFT    | W02R06G180-CS        | W02R08G180-CS        | W02R10G180-CS         | W02R12G180-CS         | W02R14G180-CS         | W02R16G180-CS         | W02R18G180-CS         | W02R20G180-CS         |
| 400mm  | RIGHT   | W04R06G180-CD        | W04R08G180-CD        | W04R10G180-CD         | W04R12G180-CD         | W04R14G180-CD         | W04R16G180-CD         | W04R18G180-CD         | -                     |
|        | LEFT    | W04R06G180-CS        | W04R08G180-CS        | W04R10G180-CS         | W04R12G180-CS         | W04R14G180-CS         | W04R16G180-CS         | W04R18G180-CS         | -                     |
| 600mm  | RIGHT   | W06R06G180-CD        | W06R08G180-CD        | W06R10G180-CD         | W06R12G180-CD         | W06R14G180-CD         | W06R16G180-CD         | -                     | -                     |
|        | LEFT    | W06R06G180-CS        | W06R08G180-CS        | W06R10G180-CS         | W06R12G180-CS         | W06R14G180-CS         | W06R16G180-CS         | -                     | -                     |
| 800mm  | RIGHT   | W08R06G180-CD        | W08R08G180-CD        | W08R10G180-CD         | W08R12G180-CD         | W08R14G180-CD         | -                     | -                     | -                     |
|        | LEFT    | W08R06G180-CS        | W08R08G180-CS        | W08R10G180-CS         | W08R12G180-CS         | W08R14G180-CS         | -                     | -                     | -                     |
| 1000mm | RIGHT   | W10R06G180-CD        | W10R08G180-CD        | W10R10G180-CD         | W10R12G180-CD         | -                     | -                     | -                     | -                     |
|        | LEFT    | W10R06G180-CS        | W10R08G180-CS        | W10R10G180-CS         | W10R12G180-CS         | -                     | -                     | -                     | -                     |
| 1200mm | RIGHT   | W12R06G180-CD        | W12R08G180-CD        | W12R10G180-CD         | -                     | -                     | -                     | -                     | -                     |
|        | LEFT    | W12R06G180-CS        | W12R08G180-CS        | W12R10G180-CS         | -                     | -                     | -                     | -                     | -                     |
| 1400mm | RIGHT   | W14R06G180-CD        | W14R08G180-CD        | -                     | -                     | -                     | -                     | -                     | -                     |
|        | LEFT    | W14R06G180-CS        | W14R08G180-CS        | -                     | -                     | -                     | -                     | -                     | -                     |
| 1600mm | RIGHT   | W16R06G180-CD        | -                    | -                     | -                     | -                     | -                     | -                     | -                     |
|        | LEFT    | W16R06G180-CS        | -                    | -                     | -                     | -                     | -                     | -                     | -                     |

These codes mean complete curve, except floor supports and gearmotor, if you need to include them please see page 294/295.

NEW

# ZERO CONTACT PRO

## CURVE CONVEYOR



### Product use

Zero Contact™ PRO is the right choice for heavy duty applications with high abrasive conditions, like sand, salt as well as production of tiles, bricks and cement production or applications where speeds and loads result very high.

Zero Contact™ PRO is designed with different dimension and features, so to guarantee higher performance for hostile environments:



The belt in Polyamide glass fiber reinforced, more resistant to high wear conditions



The rods in stainless steel and fixed by using grub screws guarantee high loads



**INNER RADIUS** 586mm ÷ 1541mm

**BELT WIDTH** 249mm ÷ 1034mm

**MATERIAL OF MODULES** Polyamide glass fiber reinforced (PA)

**COLOR OF MODULES** Dark Pigeon Blue (RAL 5017)

**PINS** Stainless steel

**PIN LOCK** Stainless steel grub screws

**FRAME** Stainless steel

**TEMPERATURE RANGE**

Dry: -30°C ÷ 100°C Wet: n.a.  
(Dry: -22°F ÷ 212°F Wet: n.a.)

**MAX. WORKING LOAD**

19.000 N/m belt width

**CURVE ANGLE** 15° ÷ 360°

**OPEN AREA** 0%

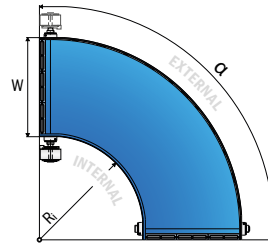


Delivery: **Easy** Standard

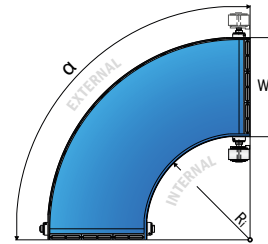
## CURVES RANGE

Angle 90°

Left Version **CS**



**CD** Right Version



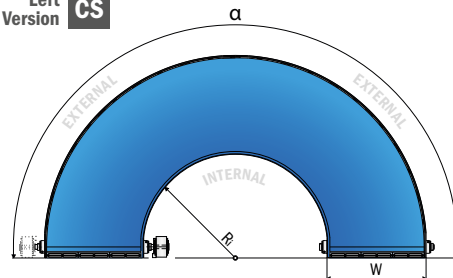
| Width  | Version | R <sub>i</sub> 586mm | R <sub>i</sub> 756mm | R <sub>i</sub> 1011mm | R <sub>i</sub> 1031mm | R <sub>i</sub> 1116mm | R <sub>i</sub> 1201mm | R <sub>i</sub> 1286mm | R <sub>i</sub> 1456mm | R <sub>i</sub> 1541mm |
|--------|---------|----------------------|----------------------|-----------------------|-----------------------|-----------------------|-----------------------|-----------------------|-----------------------|-----------------------|
| 249mm  | RIGHT   | -                    | -                    | -                     | W91R94G090-CD         | -                     | -                     | W91R97G090-CD         | -                     | -                     |
|        | LEFT    | -                    | -                    | -                     | W91R94G090-CS         | -                     | -                     | W91R97G090-CS         | -                     | -                     |
| 269mm  | RIGHT   | -                    | W92R92G090-CD        | W92R93G090-CD         | -                     | -                     | -                     | -                     | -                     | -                     |
|        | LEFT    | -                    | W92R92G090-CS        | W92R93G090-CS         | -                     | -                     | -                     | -                     | -                     | -                     |
| 419mm  | RIGHT   | -                    | -                    | -                     | W93R94G090-CD         | -                     | W93R96G090-CD         | -                     | W93R98G090-CD         | -                     |
|        | LEFT    | -                    | -                    | -                     | W93R94G090-CS         | -                     | W93R96G090-CS         | -                     | W93R98G090-CS         | -                     |
| 439mm  | RIGHT   | W94R91G090-CD        | W94R92G090-CD        | W94R93G090-CD         | -                     | -                     | -                     | -                     | -                     | -                     |
|        | LEFT    | W94R91G090-CS        | W94R92G090-CS        | W94R93G090-CS         | -                     | -                     | -                     | -                     | -                     | -                     |
| 504mm  | RIGHT   | -                    | -                    | -                     | -                     | W95R95G090-CD         | -                     | W95R97G090-CD         | -                     | W95R99G090-CD         |
|        | LEFT    | -                    | -                    | -                     | -                     | W95R95G090-CS         | -                     | W95R97G090-CS         | -                     | W95R99G090-CS         |
| 524mm  | RIGHT   | W96R91G090-CD        | W96R92G090-CD        | W96R93G090-CD         | -                     | -                     | -                     | -                     | -                     | -                     |
|        | LEFT    | W96R91G090-CS        | W96R92G090-CS        | W96R93G090-CS         | -                     | -                     | -                     | -                     | -                     | -                     |
| 864mm  | RIGHT   | W97R91G090-CD        | W97R92G090-CD        | W97R93G090-CD         | -                     | -                     | -                     | -                     | -                     | -                     |
|        | LEFT    | W97R91G090-CS        | W97R92G090-CS        | W97R93G090-CS         | -                     | -                     | -                     | -                     | -                     | -                     |
| 1034mm | RIGHT   | W98R91G090-CD        | W98R92G090-CD        | W98R93G090-CD         | -                     | -                     | -                     | -                     | -                     | -                     |
|        | LEFT    | W98R91G090-CS        | W98R92G090-CS        | W98R93G090-CS         | -                     | -                     | -                     | -                     | -                     | -                     |

These codes mean complete curve, except floor supports and gearmotor, if you need to include them please see page 294/295.

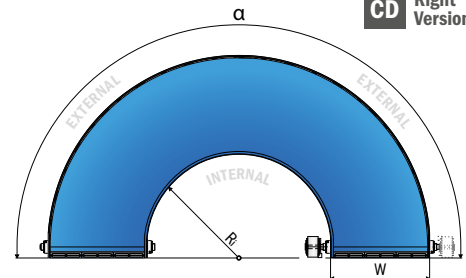
## CURVES RANGE

Angle 180°

Left Version **CS**



**CD** Right Version



| Width  | Version | R <sub>i</sub> 586mm | R <sub>i</sub> 756mm | R <sub>i</sub> 1011mm | R <sub>i</sub> 1031mm | R <sub>i</sub> 1116mm | R <sub>i</sub> 1201mm | R <sub>i</sub> 1286mm | R <sub>i</sub> 1456mm | R <sub>i</sub> 1541mm |
|--------|---------|----------------------|----------------------|-----------------------|-----------------------|-----------------------|-----------------------|-----------------------|-----------------------|-----------------------|
| 249mm  | RIGHT   | -                    | -                    | -                     | W91R94G180-CD         | -                     | -                     | W91R97G180-CD         | -                     | -                     |
|        | LEFT    | -                    | -                    | -                     | W91R94G180-CS         | -                     | -                     | W91R97G180-CS         | -                     | -                     |
| 269mm  | RIGHT   | -                    | W92R92G180-CD        | W92R93G180-CD         | -                     | -                     | -                     | -                     | -                     | -                     |
|        | LEFT    | -                    | W92R92G180-CS        | W92R93G180-CS         | -                     | -                     | -                     | -                     | -                     | -                     |
| 419mm  | RIGHT   | -                    | -                    | -                     | W93R94G180-CD         | -                     | W93R96G180-CD         | -                     | W93R98G180-CD         | -                     |
|        | LEFT    | -                    | -                    | -                     | W93R94G180-CS         | -                     | W93R96G180-CS         | -                     | W93R98G180-CS         | -                     |
| 439mm  | RIGHT   | W94R91G180-CD        | W94R92G180-CD        | W94R93G180-CD         | -                     | -                     | -                     | -                     | -                     | -                     |
|        | LEFT    | W94R91G180-CS        | W94R92G180-CS        | W94R93G180-CS         | -                     | -                     | -                     | -                     | -                     | -                     |
| 504mm  | RIGHT   | -                    | -                    | -                     | -                     | W95R95G180-CD         | -                     | W95R97G180-CD         | -                     | W95R99G180-CD         |
|        | LEFT    | -                    | -                    | -                     | -                     | W95R95G180-CS         | -                     | W95R97G180-CS         | -                     | W95R99G180-CS         |
| 524mm  | RIGHT   | W96R91G180-CD        | W96R92G180-CD        | W96R93G180-CD         | -                     | -                     | -                     | -                     | -                     | -                     |
|        | LEFT    | W96R91G180-CS        | W96R92G180-CS        | W96R93G180-CS         | -                     | -                     | -                     | -                     | -                     | -                     |
| 864mm  | RIGHT   | W97R91G180-CD        | W97R92G180-CD        | W97R93G180-CD         | -                     | -                     | -                     | -                     | -                     | -                     |
|        | LEFT    | W97R91G180-CS        | W97R92G180-CS        | W97R93G180-CS         | -                     | -                     | -                     | -                     | -                     | -                     |
| 1034mm | RIGHT   | W98R91G180-CD        | W98R92G180-CD        | W98R93G180-CD         | -                     | -                     | -                     | -                     | -                     | -                     |
|        | LEFT    | W98R91G180-CS        | W98R92G180-CS        | W98R93G180-CS         | -                     | -                     | -                     | -                     | -                     | -                     |

These codes mean complete curve, except floor supports and gearmotor, if you need to include them please see page 294/295.

NEW

## ZERO CONTACT

### CURVE CONVEYOR

#### TWO TRACKS VERSION

### Product use

Zero Contact™ PRO is available also with “two-tracks” design; by keeping the same advantages of the Zero Contact™ PRO, with the Zero Contact™ PRO “two tracks” the maximum working load can be even higher thanks to the increased number of bearings. Moreover, the two belts can work at different / independent speeds and can be activated independently thanks to the double shaft.

The two belts can also be used for goods acceleration or can be also stopped independently, in case there is a double track infeed conveyor.



Separate belts offers the possibility of different / higher speeds



2 different bearing-tracks guarantee extreme load, even at higher speed



**INNER RADIUS** 586mm ÷ 1011mm

**BELT WIDTH** 524mm ÷ 1034mm

**MATERIAL OF MODULES** Polyamide glass fiber reinforced (PA)

**COLOR OF MODULES** Dark Pigeon Blue (RAL 5017)

**PINS** Stainless steel

**PIN LOCK** Stainless steel grub screws

**FRAME** Stainless steel

**TEMPERATURE RANGE**

Dry: -30°C ÷ 100°C Wet: n.a.  
(Dry: -22°F ÷ 212°F Wet: n.a.)

**MAX. WORKING LOAD**

21.000N/m belt width

**CURVE ANGLE** 15° ÷ 360°

**OPEN AREA** 0%

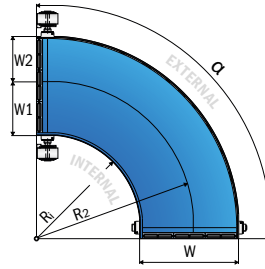
Delivery: **Easy** Standard

## CURVES RANGE

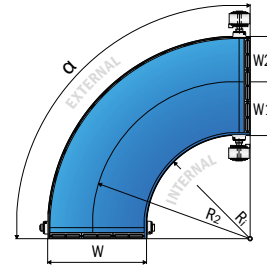
Angle 90°

Double-Shaft

Left Version **CS**



**CD** Right Version



| Width  | Version | R <sub>i</sub> 586mm | R <sub>i</sub> 756mm | R <sub>i</sub> 1011mm |
|--------|---------|----------------------|----------------------|-----------------------|
| 524mm  | RIGHT   | -                    | W96R92G090-CD2       | W96R93G090-CD2        |
|        | LEFT    | -                    | W96R92G090-CS2       | W96R93G090-CS2        |
| 864mm  | RIGHT   | W97R91G090-CD2       | W97R92G090-CD2       | W97R93G090-CD2        |
|        | LEFT    | W97R91G090-CS2       | W97R92G090-CS2       | W97R93G090-CS2        |
| 1034mm | RIGHT   | W98R91G090-CD2       | W98R92G090-CD2       | W98R93G090-CD2        |
|        | LEFT    | W98R91G090-CS2       | W98R92G090-CS2       | W98R93G090-CS2        |

| CODE                  | R1 - mm | W1 - mm | R2 - mm | W2 - mm | WTot - mm |
|-----------------------|---------|---------|---------|---------|-----------|
| W96R92G090-CD2 or CS2 | 756     | 269     | 1031    | 249     | 524       |
| W96R93G090-CD2 or CS2 | 1011    | 269     | 1286    | 249     | 524       |
| W97R91G090-CD2 or CS2 | 586     | 439     | 1031    | 419     | 864       |
| W97R92G090-CD2 or CS2 | 756     | 439     | 1201    | 419     | 864       |
| W97R93G090-CD2 or CS2 | 1011    | 439     | 1456    | 419     | 864       |
| W98R91G090-CD2 or CS2 | 586     | 524     | 1116    | 504     | 1034      |
| W98R92G090-CD2 or CS2 | 756     | 524     | 1286    | 504     | 1034      |
| W98R93G090-CD2 or CS2 | 1011    | 524     | 1541    | 504     | 1034      |

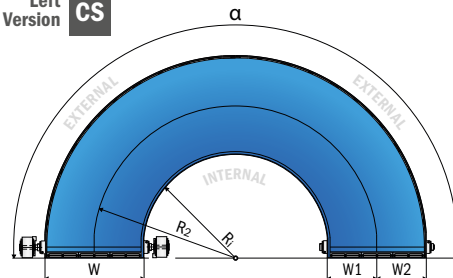
The gap between the two belts is always 6mm. These codes mean complete curve, except floor supports and gearmotors, if you need to include them please see page 294/295.

## CURVES RANGE

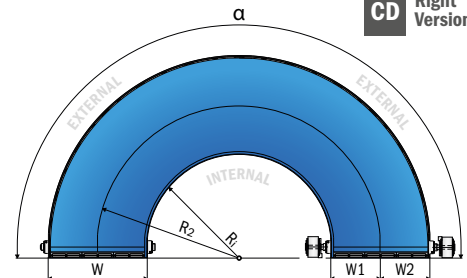
Angle 180°

Double-Shaft

Left Version **CS**



**CD** Right Version



| Width  | Version | R <sub>i</sub> 586mm | R <sub>i</sub> 756mm | R <sub>i</sub> 1011mm |
|--------|---------|----------------------|----------------------|-----------------------|
| 524mm  | RIGHT   | -                    | W96R92G180-CD2       | W96R93G180-CD2        |
|        | LEFT    | -                    | W96R92G180-CS2       | W96R93G180-CS2        |
| 864mm  | RIGHT   | W97R91G180-CD2       | W97R92G180-CD2       | W97R93G180-CD2        |
|        | LEFT    | W97R91G180-CS2       | W97R92G180-CS2       | W97R93G180-CS2        |
| 1034mm | RIGHT   | W98R91G180-CD2       | W98R92G180-CD2       | W98R93G180-CD2        |
|        | LEFT    | W98R91G180-CS2       | W98R92G180-CS2       | W98R93G180-CS2        |

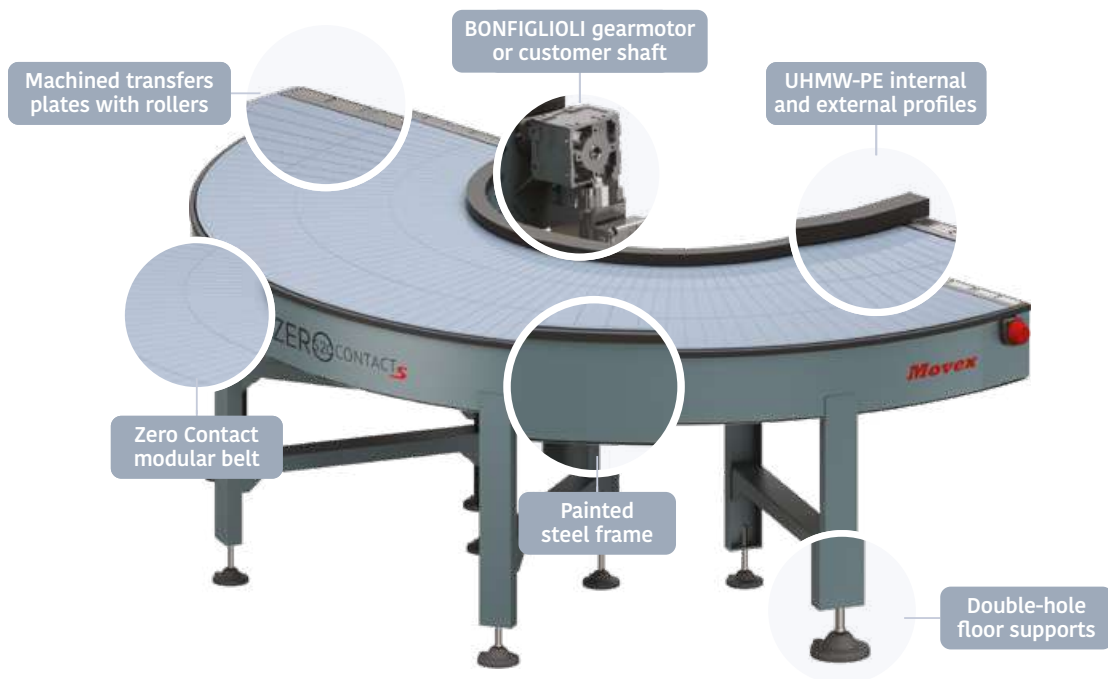
| CODE                  | R1 - mm | W1 - mm | R2 - mm | W2 - mm | WTot - mm |
|-----------------------|---------|---------|---------|---------|-----------|
| W96R92G090-CD2 or CS2 | 756     | 269     | 1031    | 249     | 524       |
| W96R93G090-CD2 or CS2 | 1011    | 269     | 1286    | 249     | 524       |
| W97R91G090-CD2 or CS2 | 586     | 439     | 1031    | 419     | 864       |
| W97R92G090-CD2 or CS2 | 756     | 439     | 1201    | 419     | 864       |
| W97R93G090-CD2 or CS2 | 1011    | 439     | 1456    | 419     | 864       |
| W98R91G090-CD2 or CS2 | 586     | 524     | 1116    | 504     | 1034      |
| W98R92G090-CD2 or CS2 | 756     | 524     | 1286    | 504     | 1034      |
| W98R93G090-CD2 or CS2 | 1011    | 524     | 1541    | 504     | 1034      |

The gap between the two belts is always 6mm. These codes mean complete curve, except floor supports and gearmotors, if you need to include them please see page 294/295.

NEW

# ZERO<sup>520</sup>CONTACT<sup>S</sup>

## CURVE CONVEYOR



### Product use

Zero Contact™ S is ideal for logistic / handling and distribution centers as well as can also be adopted for all types of product transportation, like wood or ceramic applications, dry conditions. Painted steel frames can be customized with every type of color.

Zero Contact™ S can be quickly installed into existing layout and fixed to the floor thanks to the leveling feet with double-floor fixation.



**INNER RADIUS** 600mm ÷ 2000mm

**BELT WIDTH** 200mm ÷ 1600mm

**MATERIAL OF MODULES** Acetal (POM)

**COLOR OF MODULES** Pigeon Blue (RAL 5014)

**PINS** PBT White

**PIN LOCK** Clips

**FRAME** Painted steel RAL 7031 or custom

**TEMPERATURE RANGE**

Dry: -40°C÷80°C Wet: n.a.

(Dry:-40°F ÷ 176°F Wet: n.a.)

**MAX. WORKING LOAD**

13.500 N/m belt width

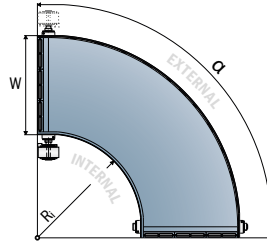
**CURVE ANGLE** 15° ÷ 360°

**OPEN AREA** 0%

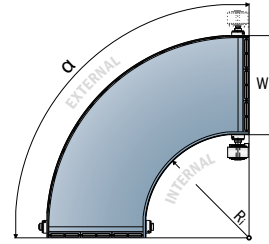
## CURVES RANGE

Angle 90°

Left Version **CS**



**CD** Right Version



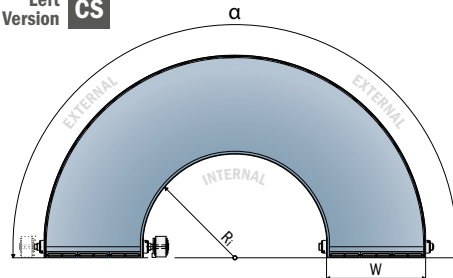
| Width  | Version | R <sub>i</sub> 600mm | R <sub>i</sub> 800mm | R <sub>i</sub> 1000mm | R <sub>i</sub> 1200mm | R <sub>i</sub> 1400mm | R <sub>i</sub> 1600mm | R <sub>i</sub> 1800mm | R <sub>i</sub> 2000mm |
|--------|---------|----------------------|----------------------|-----------------------|-----------------------|-----------------------|-----------------------|-----------------------|-----------------------|
| 200mm  | RIGHT   | W02R06G090-CDS       | W02R08G090-CDS       | W02R10G090-CDS        | W02R12G090-CDS        | W02R14G090-CDS        | W02R16G090-CDS        | W02R18G090-CDS        | W02R20G090-CDS        |
|        | LEFT    | W02R06G090-CSS       | W02R08G090-CSS       | W02R10G090-CSS        | W02R12G090-CSS        | W02R14G090-CSS        | W02R16G090-CSS        | W02R18G090-CSS        | W02R20G090-CSS        |
| 400mm  | RIGHT   | W04R06G090-CDS       | W04R08G090-CDS       | W04R10G090-CDS        | W04R12G090-CDS        | W04R14G090-CDS        | W04R16G090-CDS        | W04R18G090-CDS        | -                     |
|        | LEFT    | W04R06G090-CSS       | W04R08G090-CSS       | W04R10G090-CSS        | W04R12G090-CSS        | W04R14G090-CSS        | W04R16G090-CSS        | W04R18G090-CSS        | -                     |
| 600mm  | RIGHT   | W06R06G090-CDS       | W06R08G090-CDS       | W06R10G090-CDS        | W06R12G090-CDS        | W06R14G090-CDS        | W06R16G090-CDS        | -                     | -                     |
|        | LEFT    | W06R06G090-CSS       | W06R08G090-CSS       | W06R10G090-CSS        | W06R12G090-CSS        | W06R14G090-CSS        | W06R16G090-CSS        | -                     | -                     |
| 800mm  | RIGHT   | W08R06G090-CDS       | W08R08G090-CDS       | W08R10G090-CDS        | W08R12G090-CDS        | W08R14G090-CDS        | -                     | -                     | -                     |
|        | LEFT    | W08R06G090-CSS       | W08R08G090-CSS       | W08R10G090-CSS        | W08R12G090-CSS        | W08R14G090-CSS        | -                     | -                     | -                     |
| 1000mm | RIGHT   | W10R06G090-CDS       | W10R08G090-CDS       | W10R10G090-CDS        | W10R12G090-CDS        | -                     | -                     | -                     | -                     |
|        | LEFT    | W10R06G090-CSS       | W10R08G090-CSS       | W10R10G090-CSS        | W10R12G090-CSS        | -                     | -                     | -                     | -                     |
| 1200mm | RIGHT   | W12R06G090-CDS       | W12R08G090-CDS       | W12R10G090-CDS        | -                     | -                     | -                     | -                     | -                     |
|        | LEFT    | W12R06G090-CSS       | W12R08G090-CSS       | W12R10G090-CSS        | -                     | -                     | -                     | -                     | -                     |
| 1400mm | RIGHT   | W14R06G090-CDS       | W14R08G090-CDS       | -                     | -                     | -                     | -                     | -                     | -                     |
|        | LEFT    | W14R06G090-CSS       | W14R08G090-CSS       | -                     | -                     | -                     | -                     | -                     | -                     |
| 1600mm | RIGHT   | W16R06G090-CDS       | -                    | -                     | -                     | -                     | -                     | -                     | -                     |
|        | LEFT    | W16R06G090-CSS       | -                    | -                     | -                     | -                     | -                     | -                     | -                     |

These codes mean complete curve, except floor supports and gearmotor, if you need to include them please see page 294/295.

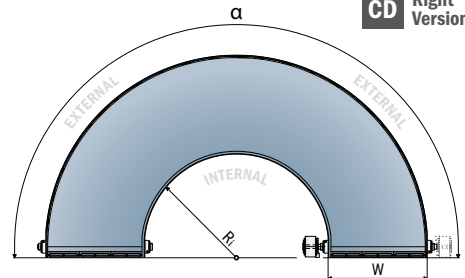
## CURVES RANGE

Angle 180°

Left Version **CS**



**CD** Right Version

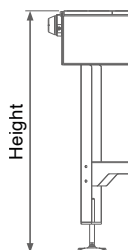


| Width  | Version | R <sub>i</sub> 600mm | R <sub>i</sub> 800mm | R <sub>i</sub> 1000mm | R <sub>i</sub> 1200mm | R <sub>i</sub> 1400mm | R <sub>i</sub> 1600mm | R <sub>i</sub> 1800mm | R <sub>i</sub> 2000mm |
|--------|---------|----------------------|----------------------|-----------------------|-----------------------|-----------------------|-----------------------|-----------------------|-----------------------|
| 200mm  | RIGHT   | W02R06G180-CDS       | W02R08G180-CDS       | W02R10G180-CDS        | W02R12G180-CDS        | W02R14G180-CDS        | W02R16G180-CDS        | W02R18G180-CDS        | W02R20G180-CDS        |
|        | LEFT    | W02R06G180-CSS       | W02R08G180-CSS       | W02R10G180-CSS        | W02R12G180-CSS        | W02R14G180-CSS        | W02R16G180-CSS        | W02R18G180-CSS        | W02R20G180-CSS        |
| 400mm  | RIGHT   | W04R06G180-CDS       | W04R08G180-CDS       | W04R10G180-CDS        | W04R12G180-CDS        | W04R14G180-CDS        | W04R16G180-CDS        | W04R18G180-CDS        | -                     |
|        | LEFT    | W04R06G180-CSS       | W04R08G180-CSS       | W04R10G180-CSS        | W04R12G180-CSS        | W04R14G180-CSS        | W04R16G180-CSS        | W04R18G180-CSS        | -                     |
| 600mm  | RIGHT   | W06R06G180-CDS       | W06R08G180-CDS       | W06R10G180-CDS        | W06R12G180-CDS        | W06R14G180-CDS        | W06R16G180-CDS        | -                     | -                     |
|        | LEFT    | W06R06G180-CSS       | W06R08G180-CSS       | W06R10G180-CSS        | W06R12G180-CSS        | W06R14G180-CSS        | W06R16G180-CSS        | -                     | -                     |
| 800mm  | RIGHT   | W08R06G180-CDS       | W08R08G180-CDS       | W08R10G180-CDS        | W08R12G180-CDS        | W08R14G180-CDS        | -                     | -                     | -                     |
|        | LEFT    | W08R06G180-CSS       | W08R08G180-CSS       | W08R10G180-CSS        | W08R12G180-CSS        | W08R14G180-CSS        | -                     | -                     | -                     |
| 1000mm | RIGHT   | W10R06G180-CDS       | W10R08G180-CDS       | W10R10G180-CDS        | W10R12G180-CDS        | -                     | -                     | -                     | -                     |
|        | LEFT    | W10R06G180-CSS       | W10R08G180-CSS       | W10R10G180-CSS        | W10R12G180-CSS        | -                     | -                     | -                     | -                     |
| 1200mm | RIGHT   | W12R06G180-CDS       | W12R08G180-CDS       | W12R10G180-CDS        | -                     | -                     | -                     | -                     | -                     |
|        | LEFT    | W12R06G180-CSS       | W12R08G180-CSS       | W12R10G180-CSS        | -                     | -                     | -                     | -                     | -                     |
| 1400mm | RIGHT   | W14R06G180-CDS       | W14R08G180-CDS       | -                     | -                     | -                     | -                     | -                     | -                     |
|        | LEFT    | W14R06G180-CSS       | W14R08G180-CSS       | -                     | -                     | -                     | -                     | -                     | -                     |
| 1600mm | RIGHT   | W16R06G180-CDS       | -                    | -                     | -                     | -                     | -                     | -                     | -                     |
|        | LEFT    | W16R06G180-CSS       | -                    | -                     | -                     | -                     | -                     | -                     | -                     |

These codes mean complete curve, except floor supports and gearmotor, if you need to include them please see page 294/295.

## Zero Contact™

### Floor support



- Stainless steel AISI 304 or painted steel
- Single or double floor fixation levellers
- Customizable height and specifications



### Floor support for Zero Contact

| Article Nr. | Curve Width - mm | Total Height - mm | Angle |
|-------------|------------------|-------------------|-------|
| W02G090H    | 200              | 1000              | 90°   |
| W04G090H    | 400              | 1000              | 90°   |
| W06G090H    | 600              | 1000              | 90°   |
| W08G090H    | 800              | 1000              | 90°   |
| W10G090H    | 1000             | 1000              | 90°   |
| W12G090H    | 1200             | 1000              | 90°   |
| W14G090H    | 1400             | 1000              | 90°   |
| W16G090H    | 1600             | 1000              | 90°   |

| Article Nr. | Curve Width - mm | Total Height - mm | Angle |
|-------------|------------------|-------------------|-------|
| W02G180H    | 200              | 1000              | 180°  |
| W04G180H    | 400              | 1000              | 180°  |
| W06G180H    | 600              | 1000              | 180°  |
| W08G180H    | 800              | 1000              | 180°  |
| W10G180H    | 1000             | 1000              | 180°  |
| W12G180H    | 1200             | 1000              | 180°  |
| W14G180H    | 1400             | 1000              | 180°  |
| W16G180H    | 1600             | 1000              | 180°  |

### Floor support for Zero Contact PRO

| Article Nr. | Curve Width - mm | Total Height - mm | Angle |
|-------------|------------------|-------------------|-------|
| W91G090H    | 249              | 1000              | 90°   |
| W92G090H    | 269              | 1000              | 90°   |
| W93G090H    | 419              | 1000              | 90°   |
| W94G090H    | 439              | 1000              | 90°   |
| W95G090H    | 504              | 1000              | 90°   |
| W96G090H    | 524              | 1000              | 90°   |
| W97G090H    | 864              | 1000              | 90°   |
| W98G090H    | 1034             | 1000              | 90°   |

| Article Nr. | Curve Width - mm | Total Height - mm | Angle |
|-------------|------------------|-------------------|-------|
| W91G180H    | 249              | 1000              | 180°  |
| W92G180H    | 269              | 1000              | 180°  |
| W93G180H    | 419              | 1000              | 180°  |
| W94G180H    | 439              | 1000              | 180°  |
| W95G180H    | 504              | 1000              | 180°  |
| W96G180H    | 524              | 1000              | 180°  |
| W97G180H    | 864              | 1000              | 180°  |
| W98G180H    | 1034             | 1000              | 180°  |

### Floor support for Zero Contact S

| Article Nr. | Curve Width - mm | Total Height - mm | Angle |
|-------------|------------------|-------------------|-------|
| W02G090HS   | 200              | 1000              | 90°   |
| W04G090HS   | 400              | 1000              | 90°   |
| W06G090HS   | 600              | 1000              | 90°   |
| W08G090HS   | 800              | 1000              | 90°   |
| W10G090HS   | 1000             | 1000              | 90°   |
| W12G090HS   | 1200             | 1000              | 90°   |
| W14G090HS   | 1400             | 1000              | 90°   |
| W16G090HS   | 1600             | 1000              | 90°   |

| Article Nr. | Curve Width - mm | Total Height - mm | Angle |
|-------------|------------------|-------------------|-------|
| W02G180HS   | 200              | 1000              | 180°  |
| W04G180HS   | 400              | 1000              | 180°  |
| W06G180HS   | 600              | 1000              | 180°  |
| W08G180HS   | 800              | 1000              | 180°  |
| W10G180HS   | 1000             | 1000              | 180°  |
| W12G180HS   | 1200             | 1000              | 180°  |
| W14G180HS   | 1400             | 1000              | 180°  |
| W16G180HS   | 1600             | 1000              | 180°  |

For different heights or custom specification please contact your sales representative.

## Zero Contact™

### Gearmotor



#### SEW Gearmotors

- Foodgrade oil
- Power for 90° curve > 0,37kW – type WA30 DRN71M4
- Power for 180° curve > 0,55kW – type WA30 DRN80MK4
- Internal shaft position (no cable supplied)

| Article Nr.     | Power                 |
|-----------------|-----------------------|
| <b>M090-S/I</b> | <b>for 90° curve</b>  |
| <b>M180-S/I</b> | <b>for 180° curve</b> |

Recommended for **Zero Contact™** and **Zero Contact™ PRO**

For different gearmotors please contact your sales representative



#### BONFIGLIOLI Gearmotors

- Power for 90° curve > 0,37kW – type BN 71B 4 B14 KW 0,37
- Power for 180° curve > 0,55kW – type BN 71C 4 B14 KW 0,55
- Internal shaft position (no cable supplied)

| Article Nr.      | Power                 |
|------------------|-----------------------|
| <b>M090L-S/I</b> | <b>for 90° curve</b>  |
| <b>M180L-S/I</b> | <b>for 180° curve</b> |

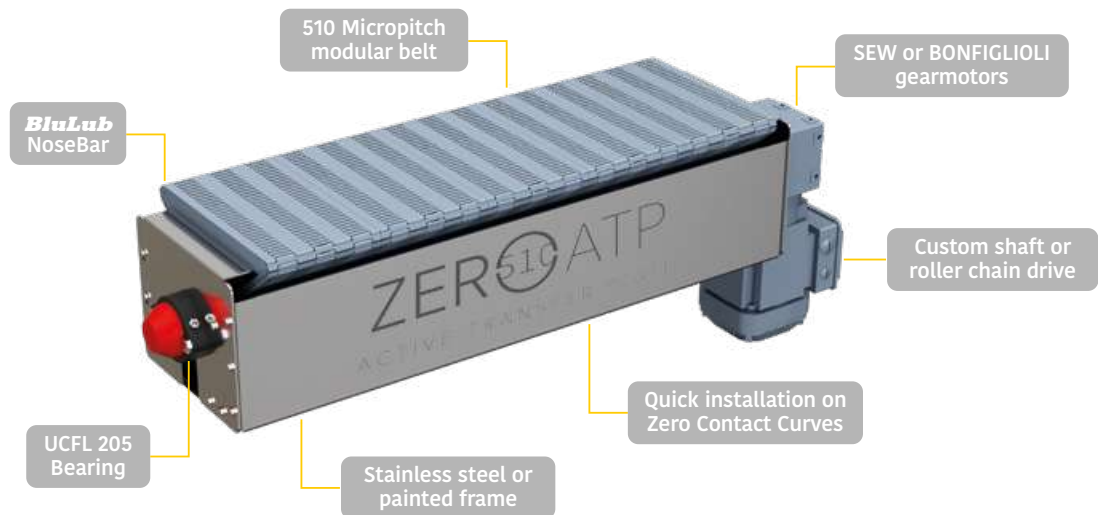
Recommended for **Zero Contact™ S**

For different gearmotors please contact your sales representative

NEW

# ZERO<sup>510</sup> ATP

## ACTIVE TRANSFER PLATE

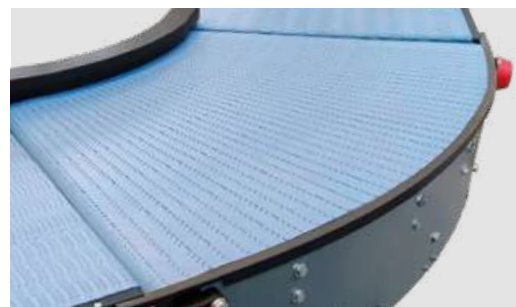


The **Zero ATP** is the perfect solution for small and light products, which hardly slide on standard solution. With the Active Transfer Plate Movex helps reducing downtimes and improving efficiency.

**Zero ATP** is a complete conveyor unit and supplied connected to the **Zero Contact™** curve independently, so speed can be different than the curve itself, so able to accelerate or decelerate carried products.

**Zero ATP Active Transfer Plates** are equipped with Movex 510 FT micropitch belt.

A tensioning system is included.



### Main features

- Equipped with Movex 510 modular belt
- 8mm pitch, 3mm nose radius
- Available length 250mm and 500mm
- Connectable to Zero Contact curves



Longer Zero ATP available on request



## Zero ATP for Zero Contact

### Module length 250mm

| Article Nr. | Curve Width - mm | Micropitch Width - mm |
|-------------|------------------|-----------------------|
| W02L10ATP   | 200              | 228,6                 |
| W04L10ATP   | 400              | 381                   |
| W06L10ATP   | 600              | 609,6                 |
| W08L10ATP   | 800              | 838,2                 |
| W10L10ATP   | 1000             | 990,6                 |
| W12L10ATP   | 1200             | 1219,2                |
| W14L10ATP   | 1400             | 1447,8                |
| W16L10ATP   | 1600             | 1600,2                |

### Module length 500mm

| Article Nr. | Curve Width - mm | Micropitch Width - mm |
|-------------|------------------|-----------------------|
| W02L20ATP   | 200              | 228,6                 |
| W04L20ATP   | 400              | 381                   |
| W06L20ATP   | 600              | 609,6                 |
| W08L20ATP   | 800              | 838,2                 |
| W10L20ATP   | 1000             | 990,6                 |
| W12L20ATP   | 1200             | 1219,2                |
| W14L20ATP   | 1400             | 1447,8                |
| W16L20ATP   | 1600             | 1600,2                |

## Zero ATP for Zero Contact PRO

### Module length 250mm

| Article Nr. | Curve Width - mm | Micropitch Width - mm |
|-------------|------------------|-----------------------|
| W91L10ATP   | 249              | 228,6                 |
| W92L10ATP   | 269              | 228,6                 |
| W93L10ATP   | 419              | 381                   |
| W94L10ATP   | 439              | 457,2                 |
| W95L10ATP   | 504              | 533,4                 |
| W96L10ATP   | 524              | 533,4                 |
| W97L10ATP   | 864              | 838,2                 |
| W98L10ATP   | 1034             | 990,6                 |

### Module length 500mm

| Article Nr. | Curve Width - mm | Micropitch Width - mm |
|-------------|------------------|-----------------------|
| W91L20ATP   | 249              | 228,6                 |
| W92L20ATP   | 269              | 228,6                 |
| W93L20ATP   | 419              | 381                   |
| W94L20ATP   | 439              | 457,2                 |
| W95L20ATP   | 504              | 533,4                 |
| W96L20ATP   | 524              | 533,4                 |
| W97L20ATP   | 864              | 838,2                 |
| W98L20ATP   | 1034             | 990,6                 |

## Zero ATP for Zero Contact S

### Module length 250mm

| Article Nr. | Curve Width - mm | Micropitch Width - mm |
|-------------|------------------|-----------------------|
| W02L10ATPS  | 200              | 228,6                 |
| W04L10ATPS  | 400              | 381                   |
| W06L10ATPS  | 600              | 609,6                 |
| W08L10ATPS  | 800              | 838,2                 |
| W10L10ATPS  | 1000             | 990,6                 |
| W12L10ATPS  | 1200             | 1219,2                |
| W14L10ATPS  | 1400             | 1447,8                |
| W16L10ATPS  | 1600             | 1600,2                |

### Module length 500mm

| Article Nr. | Curve Width - mm | Micropitch Width - mm |
|-------------|------------------|-----------------------|
| W02L20ATPS  | 200              | 228,6                 |
| W04L20ATPS  | 400              | 381                   |
| W06L20ATPS  | 600              | 609,6                 |
| W08L20ATPS  | 800              | 838,2                 |
| W10L20ATPS  | 1000             | 990,6                 |
| W12L20ATPS  | 1200             | 1219,2                |
| W14L20ATPS  | 1400             | 1447,8                |
| W16L20ATPS  | 1600             | 1600,2                |

### SEW Gearmotor

- Foodgrade oil
- Power 0,18kW



| Article Nr. | Power  |
|-------------|--------|
| MDT-1600    | 0,18kW |

### BONFIGLIOLI Gearmotor

- Power 0,18kW



| Article Nr. | Power  |
|-------------|--------|
| MDTL-1600   | 0,18kW |

For different gearmotors please contact your sales representative.

SEW and BONFIGLIOLI are believed to be the trademarks and/or trade names of their respective owners and are not owned or controlled by Movex S.p.A.

NEW

100%  
GUARANTEED  
TRANSFER!

# ZERO<sup>PRO</sup> ATP

## ACTIVE TRANSFER PLATE

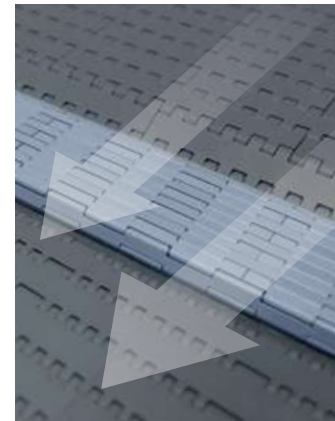


### Product use

Zero ATP™ Pro equipped with micro-pitch 510 modular belt series, is the smallest Active Transfer Plate available on the market.

With its revolutionary compact shape, Zero ATP™ Pro is the right choice to connect different conveyors, guaranteeing a smooth product transfer, that can be easily integrated into existing lines by replacing traditional transfers, with limited structural work.

Zero ATP™ Pro can be provided with mini-motor or key shaft for a roller chain drive and it's a maintenance and tensioning free system.



**BELT SERIES** 510 FT

**BELT WIDTH** 6in ÷ 24in (152,4mm ÷ 609,6mm)

**BELT DIMENSIONS** Pitch 8mm Thickness 6mm

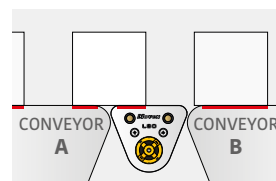
**MATERIAL OF MODULES** LFA, MX and LFB

**TRANSFER LENGTH** 80mm or 150mm

**TRANSMISSION** Mini motor or Keyed shaft

**MAX. WORKING LOAD** 3.000 N/m belt width

**SIMULTANEOUS TRANSPORT OF:**



LIGHTWEIGHT & SMALL GOODS



HIGH LOAD & BIG GOODS

Plug-in & Play solution | Maintenance free | Self-tensioning

## Zero ATP™ Pro

Mini motor version

Transfer length 80mm



### Mini-motor version

Includes a mini-motor assembled at the inside of the module.

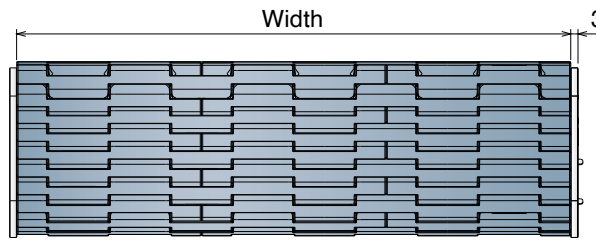
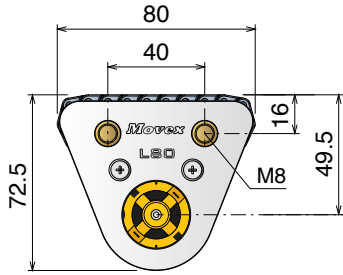
Optional cover for motor connection

Article-Nr. 300601

### Mini-motor features:

Supply voltage 6-15 V dc | Power Rating 7.85W

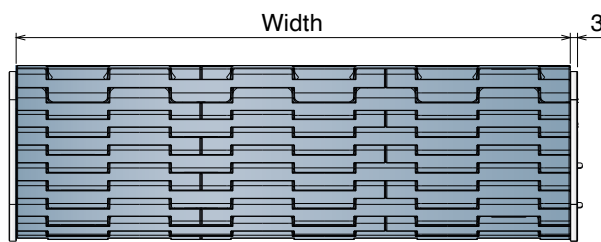
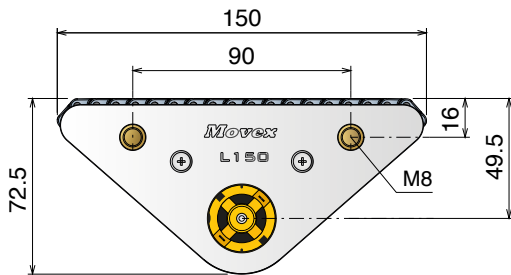
Max Torque 6539 g.cm.



| Series | Material | Width | Version |
|--------|----------|-------|---------|
| 5336   | *        | 0006  | A       |
| 5336   | *        | 0009  | A       |
| 5336   | *        | 0012  | A       |
| 5336   | *        | 0015  | A       |
| 5336   | *        | 0018  | A       |
| 5336   | *        | 0021  | A       |
| 5336   | *        | 0024  | A       |

| * Material                           |                                      |                                      |  |
|--------------------------------------|--------------------------------------|--------------------------------------|--|
| LFA - Code 01                        | MX - Code 03                         | LFB - Code 23                        |  |
| <i>Low friction Acetal</i>           | <i>Performance PBT</i>               | <i>Low friction Acetal</i>           |  |
| <b>Max w. load:</b> 3000 N           | <b>Max w. load:</b> 2700 N           | <b>Max w. load:</b> 3000 N           |  |
| <b>Weight:</b> 5,8 kg/m <sup>2</sup> | <b>Weight:</b> 5,5 kg/m <sup>2</sup> | <b>Weight:</b> 5,8 kg/m <sup>2</sup> |  |
| <b>Temp. range dry:</b> -40÷80 °C    | <b>Temp. range dry:</b> -40÷120 °C   | <b>Temp. range dry:</b> -40÷80 °C    |  |
| <b>Temp. range wet:</b> -40÷65 °C    | <b>Temp. range wet:</b> -40÷60 °C    | <b>Temp. range wet:</b> -40÷65 °C    |  |
| <b>Pin material:</b> PBT white       | <b>Pin material:</b> POM grey        | <b>Pin material:</b> PBT white       |  |

Transfer length 150mm



| Series | Material | Width | Version |
|--------|----------|-------|---------|
| 5338   | *        | 0006  | A       |
| 5338   | *        | 0009  | A       |
| 5338   | *        | 0012  | A       |
| 5338   | *        | 0015  | A       |
| 5338   | *        | 0018  | A       |
| 5338   | *        | 0021  | A       |
| 5338   | *        | 0024  | A       |

| * Material                           |                                      |                                      |  |
|--------------------------------------|--------------------------------------|--------------------------------------|--|
| LFA - Code 01                        | MX - Code 03                         | LFB - Code 23                        |  |
| <i>Low friction Acetal</i>           | <i>Performance PBT</i>               | <i>Low friction Acetal</i>           |  |
| <b>Max w. load:</b> 3000 N           | <b>Max w. load:</b> 2700 N           | <b>Max w. load:</b> 3000 N           |  |
| <b>Weight:</b> 5,8 kg/m <sup>2</sup> | <b>Weight:</b> 5,5 kg/m <sup>2</sup> | <b>Weight:</b> 5,8 kg/m <sup>2</sup> |  |
| <b>Temp. range dry:</b> -40÷80 °C    | <b>Temp. range dry:</b> -40÷120 °C   | <b>Temp. range dry:</b> -40÷80 °C    |  |
| <b>Temp. range wet:</b> -40÷65 °C    | <b>Temp. range wet:</b> -40÷60 °C    | <b>Temp. range wet:</b> -40÷65 °C    |  |
| <b>Pin material:</b> PBT white       | <b>Pin material:</b> POM grey        | <b>Pin material:</b> PBT white       |  |

For different configurations please contact your sales representative.

## Zero ATP™ Pro

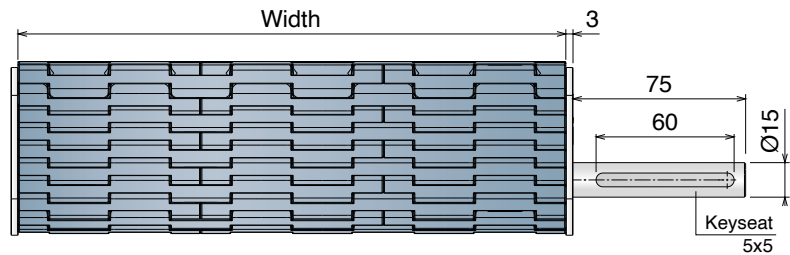
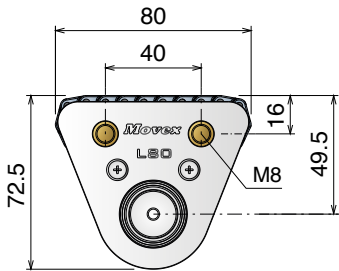
### Keyed shaft version



#### Keyed shaft version

Includes a 15 mm shaft with standard key seat 5x5 for roller chain transmission.

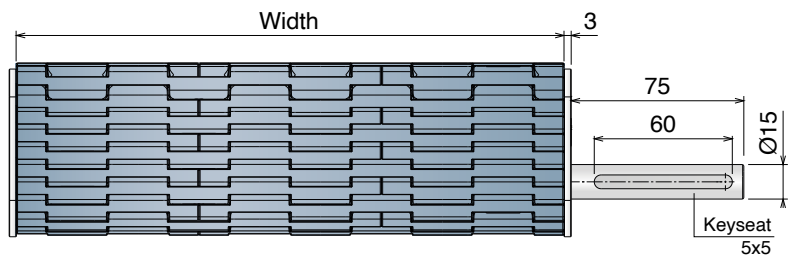
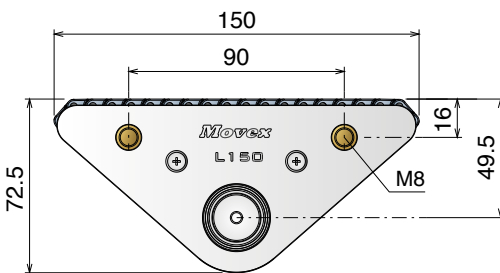
### Transfer length 80mm



| Series | Material | Width | Version |
|--------|----------|-------|---------|
| 5336   | *        | 0006  | B       |
| 5336   | *        | 0009  | B       |
| 5336   | *        | 0012  | B       |
| 5336   | *        | 0015  | B       |
| 5336   | *        | 0018  | B       |
| 5336   | *        | 0021  | B       |
| 5336   | *        | 0024  | B       |

| * Material                           |                                      |                                      |  |
|--------------------------------------|--------------------------------------|--------------------------------------|--|
| LFA - Code 01                        | MX - Code 03                         | LFB - Code 23                        |  |
| <i>Low friction Acetal</i>           | <i>Performance PBT</i>               | <i>Low friction Acetal</i>           |  |
| <b>Max w. load:</b> 3000 N           | <b>Max w. load:</b> 2700 N           | <b>Max w. load:</b> 3000 N           |  |
| <b>Weight:</b> 5,8 kg/m <sup>2</sup> | <b>Weight:</b> 5,5 kg/m <sup>2</sup> | <b>Weight:</b> 5,8 kg/m <sup>2</sup> |  |
| <b>Temp. range dry:</b> -40+80 °C    | <b>Temp. range dry:</b> -40+120 °C   | <b>Temp. range dry:</b> -40+80 °C    |  |
| <b>Temp. range wet:</b> -40+65 °C    | <b>Temp. range wet:</b> -40+60 °C    | <b>Temp. range wet:</b> -40+65 °C    |  |
| <b>Pin material:</b> PBT white       | <b>Pin material:</b> POM grey        | <b>Pin material:</b> PBT white       |  |

### Transfer length 150mm



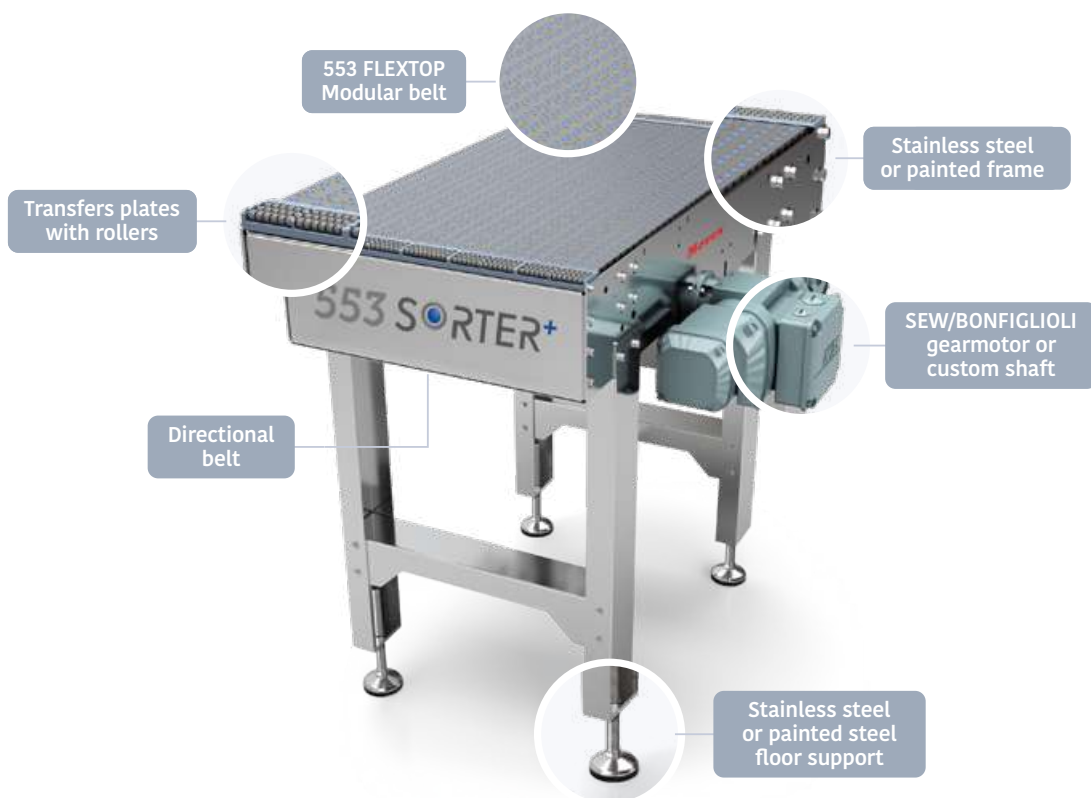
| Series | Material | Width | Version |
|--------|----------|-------|---------|
| 5338   | *        | 0006  | B       |
| 5338   | *        | 0009  | B       |
| 5338   | *        | 0012  | B       |
| 5338   | *        | 0015  | B       |
| 5338   | *        | 0018  | B       |
| 5338   | *        | 0021  | B       |
| 5338   | *        | 0024  | B       |

| * Material                           |                                      |                                      |  |
|--------------------------------------|--------------------------------------|--------------------------------------|--|
| LFA - Code 01                        | MX - Code 03                         | LFB - Code 23                        |  |
| <i>Low friction Acetal</i>           | <i>Performance PBT</i>               | <i>Low friction Acetal</i>           |  |
| <b>Max w. load:</b> 3000 N           | <b>Max w. load:</b> 2700 N           | <b>Max w. load:</b> 3000 N           |  |
| <b>Weight:</b> 5,8 kg/m <sup>2</sup> | <b>Weight:</b> 5,5 kg/m <sup>2</sup> | <b>Weight:</b> 5,8 kg/m <sup>2</sup> |  |
| <b>Temp. range dry:</b> -40+80 °C    | <b>Temp. range dry:</b> -40+120 °C   | <b>Temp. range dry:</b> -40+80 °C    |  |
| <b>Temp. range wet:</b> -40+65 °C    | <b>Temp. range wet:</b> -40+60 °C    | <b>Temp. range wet:</b> -40+65 °C    |  |
| <b>Pin material:</b> PBT white       | <b>Pin material:</b> POM grey        | <b>Pin material:</b> PBT white       |  |

For different configurations please contact your sales representative.

# 553 SORTER<sup>+</sup>

## MULTIDIRECTIONAL CONVEYOR



### Product use

The **553 Sorter plus™** is a multidirectional conveyor, equipped with the unique and patented 553 FlexTop modular belt, and with directional belt or plate, is able to handle a variety of products at 360°.

The **553 Sorter plus™** is available in different widths and lengths and in 4 different versions:

- **Diverter** - able to quickly move side to side your goods
- **Dynamic Turn** - able to rotate dynamically your goods
- **Static Turn** - able to rotate statically your goods
- **Speed** - able to accelerate/decelerate your goods



**BELT PITCH:** 25,4 mm

**THICKNESS:** 8,7 mm

**INCREMENTS:** 76,2 mm

**TOTAL LENGTH:** 600mm ÷ 1400mm

**TOTAL WIDTH:** 390mm ÷ 1000mm

**MATERIAL OF MODULES:** Dark grey acetal (POM)

**MATERIAL OF SPHERES:** Blue Polyamide (PA)

**TEMPERATURE RANGE**

Dry: -40°C ÷ 80°C Wet: n.a.

(Dry: -40°F ÷ 176°F Wet: n.a.)

**MAX. WORKING LOAD**

27.500 N/m belt width

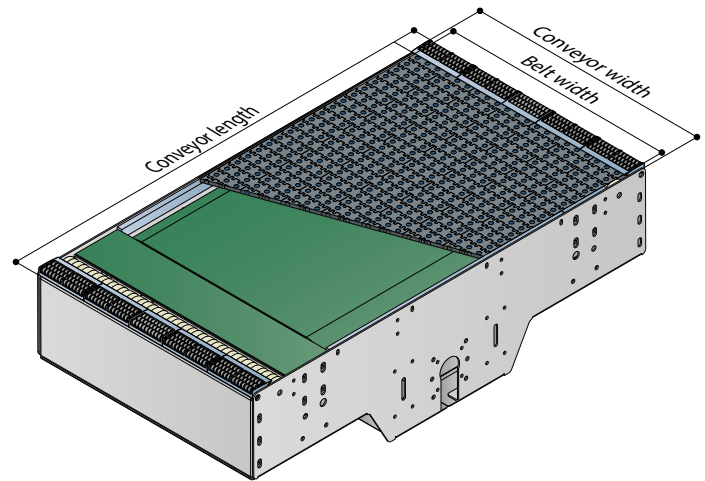
**OPEN AREA** 0%

**FRAME** Stainless steel or Painted steel

## 553 Sorter<sup>+</sup> Diverter

Equipped with one directional belt underneath the 553 FlexTop belt running at transversal direction, the Sorter plus - diverter will let your products moving to the left or to the right.

This configuration is ideal for many types of applications, like distribution systems and logistics centers and can be used with many different types of packages, from the most traditional ones like cardboard boxes to polybags and paper envelopes.

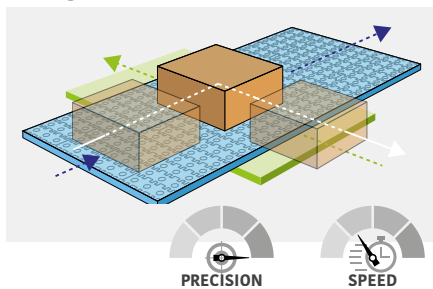


| Conveyor Width | Belt Width | Conveyor Length |              |              |              |              |
|----------------|------------|-----------------|--------------|--------------|--------------|--------------|
|                |            | 600mm           | 800mm        | 1000mm       | 1200mm       | 1400mm       |
| 390mm          | 381mm      | W0390L0600-D    | W0390L0800-D | -            | -            | -            |
| 470mm          | 457,2mm    | W0470L0600-D    | W0470L0800-D | W0470L1000-D | -            | -            |
| 545mm          | 533,4mm    | W0545L0600-D    | W0545L0800-D | W0545L1000-D | -            | -            |
| 620mm          | 609,6mm    | -               | W0620L0800-D | W0620L1000-D | W0620L1200-D | -            |
| 695mm          | 685,8mm    | -               | W0695L0800-D | W0695L1000-D | W0695L1200-D | -            |
| 770mm          | 762mm      | -               | W0770L0800-D | W0770L1000-D | W0770L1200-D | -            |
| 850mm          | 838,2mm    | -               | -            | W0850L1000-D | W0850L1200-D | W0850L1400-D |
| 925mm          | 914,4mm    | -               | -            | W0925L1000-D | W0925L1200-D | W0925L1400-D |
| 1000mm         | 990,6mm    | -               | -            | -            | W1000L1200-D | W1000L1400-D |

These codes mean complete stainless steel conveyor, except floor supports and gearmotor, if you need to include them please see page 305. For painted steel versions just add "S" at the end of the Article-Nr.

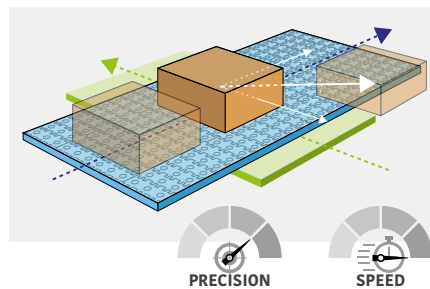
| Conveyor Length | Directional belt Width | Available exit Width |
|-----------------|------------------------|----------------------|
| 600mm           | 400mm                  | 400                  |
| 800mm           | 600mm                  | 400 - 600            |
| 1000mm          | 800mm                  | 400 - 600 - 800      |
| 1200mm          | 1000mm                 | 600 - 800 - 1000     |
| 1400mm          | 1200mm                 | 800 - 1000 - 1200    |

### Straight exit



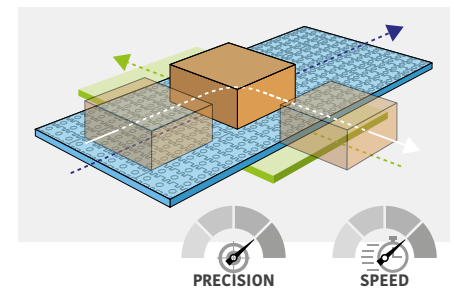
To get a completely straight exit, **the directional belt must be activated when 553 FlexTop is not running.**

### Inclined exit



To get a 45° inclined direction, the **speed of the directional belt must be the same** as the speed of the 553 FlexTop and they have to work contemporary.

### Curved exit



To get a straight exit without losing relatively too much time, the **directional belt can be activated also when the 553 FlexTop is running, while is reducing speed.**

The combination of the two speeds will determine the exit curve dimension.

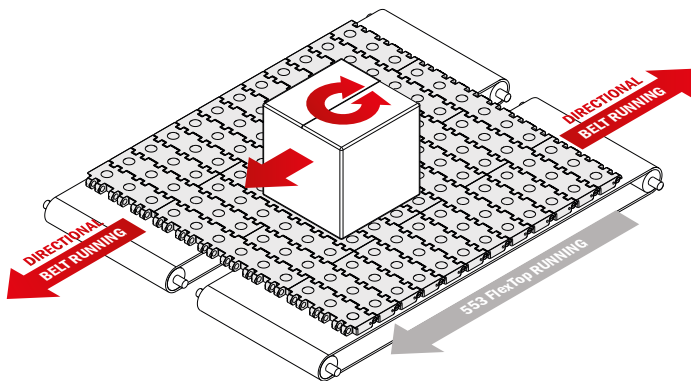
## 553 Sorter+

### Dynamic turn

Equipped with two directional belts underneath the 553 FlexTop belt running at opposite direction, the Sorter plus - dynamic turn will let your products start rotating.

This configuration is ideal to turn products in high-speed production lines that can be handled without stopping the 553 FlexTop belt.

The distance of the rotation depends by the combination of the 3 different speeds.



These codes mean complete stainless steel conveyor, except floor supports and gearmotor, if you need to include them please see page 305.

For painted steel versions just add "S" at the end of the Article-Nr.

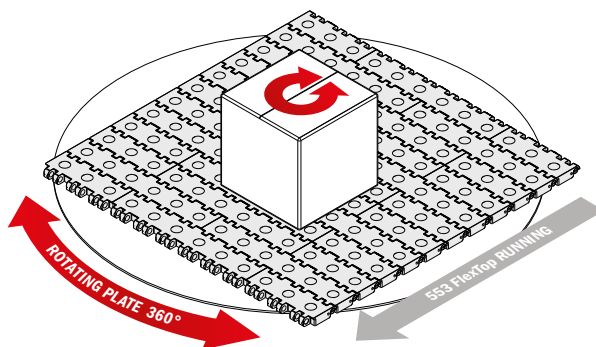
| Conveyor Width | Belt Width | Conveyor Length |               |               |               |               |
|----------------|------------|-----------------|---------------|---------------|---------------|---------------|
|                |            | 600mm           | 800mm         | 1000mm        | 1200mm        | 1400mm        |
| 390mm          | 381mm      | W0390L0600-DT   | W0390L0800-DT | -             | -             | -             |
| 470mm          | 457,2mm    | W0470L0600-DT   | W0470L0800-DT | W0470L1000-DT | -             | -             |
| 545mm          | 533,4mm    | W0545L0600-DT   | W0545L0800-DT | W0545L1000-DT | -             | -             |
| 620mm          | 609,6mm    | -               | W0620L0800-DT | W0620L1000-DT | W0620L1200-DT | -             |
| 695mm          | 685,8mm    | -               | W0695L0800-DT | W0695L1000-DT | W0695L1200-DT | -             |
| 770mm          | 762mm      | -               | W0770L0800-DT | W0770L1000-DT | W0770L1200-DT | -             |
| 850mm          | 838,2mm    | -               | -             | W0850L1000-DT | W0850L1200-DT | W0850L1400-DT |
| 925mm          | 914,4mm    | -               | -             | W0925L1000-DT | W0925L1200-DT | W0925L1400-DT |
| 1000mm         | 990,6mm    | -               | -             | -             | W1000L1200-DT | W1000L1400-DT |

## 553 Sorter+

### Static turn

Equipped with one rotating plate underneath the 553 FlexTop belt, the Sorter plus - static turn will let your products start rotating.

This configuration is ideal to turn products with high-precision and they have to be handled while the 553 FlexTop belt is not running.



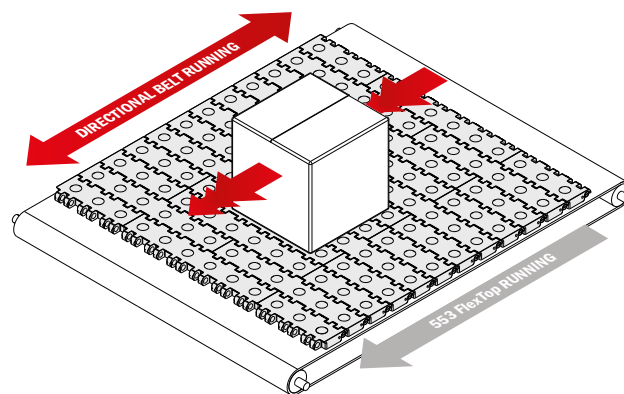
These codes mean complete stainless steel conveyor, except floor supports and gearmotor, if you need to include them please see page 305.

For painted steel versions just add "S" at the end of the Article-Nr.

| Conveyor Width | Belt Width | Conveyor Length |               |               |               |               |
|----------------|------------|-----------------|---------------|---------------|---------------|---------------|
|                |            | 600mm           | 800mm         | 1000mm        | 1200mm        | 1400mm        |
| 390mm          | 381mm      | W0390L0600-ST   | W0390L0800-ST | -             | -             | -             |
| 470mm          | 457,2mm    | W0470L0600-ST   | W0470L0800-ST | W0470L1000-ST | -             | -             |
| 545mm          | 533,4mm    | W0545L0600-ST   | W0545L0800-ST | W0545L1000-ST | -             | -             |
| 620mm          | 609,6mm    | -               | W0620L0800-ST | W0620L1000-ST | W0620L1200-ST | -             |
| 695mm          | 685,8mm    | -               | W0695L0800-ST | W0695L1000-ST | W0695L1200-ST | -             |
| 770mm          | 762mm      | -               | W0770L0800-ST | W0770L1000-ST | W0770L1200-ST | -             |
| 850mm          | 838,2mm    | -               | -             | W0850L1000-ST | W0850L1200-ST | W0850L1400-ST |
| 925mm          | 914,4mm    | -               | -             | W0925L1000-ST | W0925L1200-ST | W0925L1400-ST |
| 1000mm         | 990,6mm    | -               | -             | -             | W1000L1200-ST | W1000L1400-ST |

## 553 Sorter<sup>+</sup> Speed

Equipped with one directional belt underneath the 553 FlexTop belt running at same or opposite direction of the 553 FlexTop belt, the Sorter plus speed can accelerate or decelerate your products. This configuration is ideal to space your products without the need of having an additional conveyor.



These codes mean complete stainless steel conveyor, except floor supports and gearmotor, if you need to include them please see page 305.

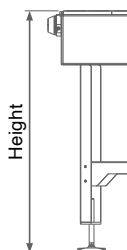
For painted steel versions just add "S" at the end of the Article-Nr.

| Conveyor Width | Belt Width | Conveyor Length     |                     |                     |                     |                     |
|----------------|------------|---------------------|---------------------|---------------------|---------------------|---------------------|
|                |            | 600mm               | 800mm               | 1000mm              | 1200mm              | 1400mm              |
| 390mm          | 381mm      | <b>W0390L0600-S</b> | <b>W0390L0800-S</b> | -                   | -                   | -                   |
| 470mm          | 457,2mm    | <b>W0470L0600-S</b> | <b>W0470L0800-S</b> | <b>W0470L1000-S</b> | -                   | -                   |
| 545mm          | 533,4mm    | <b>W0545L0600-S</b> | <b>W0545L0800-S</b> | <b>W0545L1000-S</b> | -                   | -                   |
| 620mm          | 609,6mm    | -                   | <b>W0620L0800-S</b> | <b>W0620L1000-S</b> | <b>W0620L1200-S</b> | -                   |
| 695mm          | 685,8mm    | -                   | <b>W0695L0800-S</b> | <b>W0695L1000-S</b> | <b>W0695L1200-S</b> | -                   |
| 770mm          | 762mm      | -                   | <b>W0770L0800-S</b> | <b>W0770L1000-S</b> | <b>W0770L1200-S</b> | -                   |
| 850mm          | 838,2mm    | -                   | -                   | <b>W0850L1000-S</b> | <b>W0850L1200-S</b> | <b>W0850L1400-S</b> |
| 925mm          | 914,4mm    | -                   | -                   | <b>W0925L1000-S</b> | <b>W0925L1200-S</b> | <b>W0925L1400-S</b> |
| 1000mm         | 990,6mm    | -                   | -                   | -                   | <b>W1000L1200-S</b> | <b>W1000L1400-S</b> |



## 553 Sorter+

### Floor support



- Stainless steel AISI 304 or painted steel
- Single or double floor fixation levellers
- Customizable height and specifications



| Article Nr.   | Conveyor Width - mm | Total Height - mm |
|---------------|---------------------|-------------------|
| <b>W0390H</b> | <b>390</b>          | <b>1000</b>       |
| <b>W0470H</b> | <b>470</b>          | <b>1000</b>       |
| <b>W0545H</b> | <b>545</b>          | <b>1000</b>       |
| <b>W0620H</b> | <b>620</b>          | <b>1000</b>       |
| <b>W0695H</b> | <b>695</b>          | <b>1000</b>       |
| <b>W0770H</b> | <b>770</b>          | <b>1000</b>       |
| <b>W0850H</b> | <b>850</b>          | <b>1000</b>       |
| <b>W0925H</b> | <b>925</b>          | <b>1000</b>       |
| <b>W1000H</b> | <b>1000</b>         | <b>1000</b>       |

For different heights or custom specification please contact your sales representative.  
For painted steel versions, just add "S" at the end of the Article-Nr.

## 553 Sorter+

### Gearmotor

#### SEW Gearmotors

- Foodgrade oil
- Power 0,37kW – type WA30 DRN71M4
- Internal shaft position (no cable supplied)



| Article Nr.     | Power         |
|-----------------|---------------|
| <b>M090-S/I</b> | <b>0,37kW</b> |

#### BONFIGLIOLI Gearmotors

- Power 0,37kW – type WA30 DRN71M4
- Internal shaft position (no cable supplied)



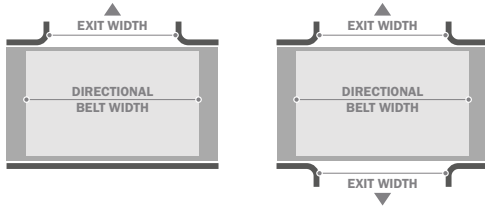
| Article Nr.      | Power         |
|------------------|---------------|
| <b>M090L-S/I</b> | <b>0,37kW</b> |

For different gearmotors please contact your sales representative

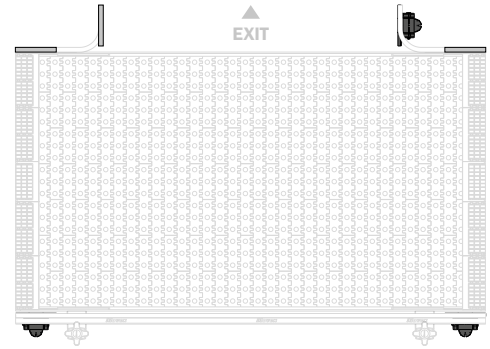
SEW and BONFIGLIOLI are believed to be the trademarks and/or trade names of their respective owners and are not owned or controlled by Movex S.p.A.

## 553 Sorter+

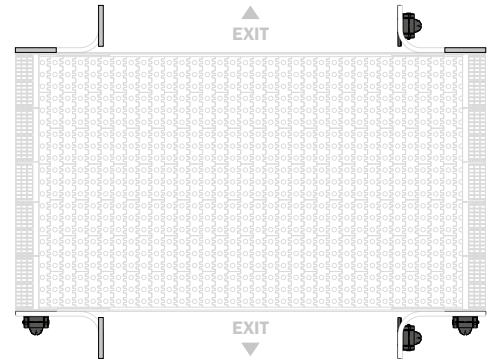
### Photocells



| Conveyor Length | Directional belt Width | Available exit Width | Photocells Single exit | Photocells Double exit |
|-----------------|------------------------|----------------------|------------------------|------------------------|
| 600mm           | 400mm                  | 400mm                | L0600-SE0400           | L0600-DE0400           |
| 800mm           | 600mm                  | 400mm                | L0800-SE0400           | L0800-DE0400           |
|                 |                        | 600mm                | L0800-SE0600           | L0800-DE0600           |
| 1000mm          | 800mm                  | 400mm                | L1000-SE0400           | L1000-DE0400           |
|                 |                        | 600mm                | L1000-SE0600           | L1000-DE0600           |
|                 |                        | 800mm                | L1000-SE0800           | L1000-DE0800           |
| 1200mm          | 1000mm                 | 600mm                | L1200-SE0600           | L1200-DE0600           |
|                 |                        | 800mm                | L1200-SE0800           | L1200-DE0800           |
|                 |                        | 1000mm               | L1200-SE1000           | L1200-DE1000           |
| 1400mm          | 1200mm                 | 800mm                | L1400-SE0800           | L1400-DE0800           |
|                 |                        | 1000mm               | L1400-SE1000           | L1400-DE1000           |
|                 |                        | 1200mm               | L1400-SE1200           | L1400-DE1200           |



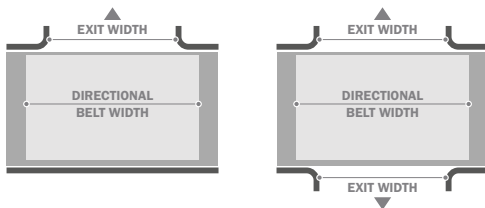
Configuration for single exit option.



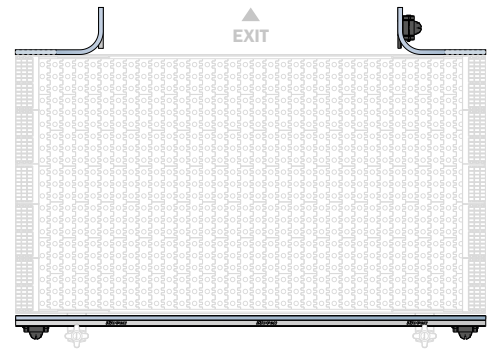
Configuration for double exit option.

## 553 Sorter+

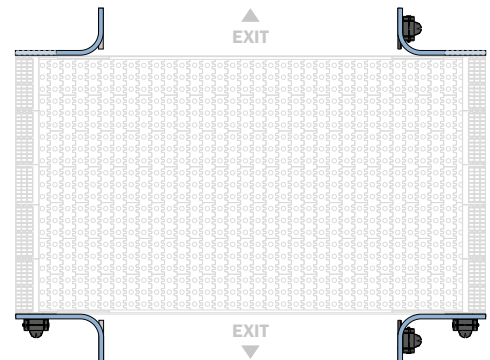
### Photocells and *BluLub*® guides



| Conveyor Length | Directional belt Width | Available exit Width | Photocells/guides Single exit | Photocells/guides Double exit |
|-----------------|------------------------|----------------------|-------------------------------|-------------------------------|
| 600mm           | 400mm                  | 400mm                | L0600-SE0400K                 | L0600-DE0400K                 |
| 800mm           | 600mm                  | 400mm                | L0800-SE0400K                 | L0800-DE0400K                 |
|                 |                        | 600mm                | L0800-SE0600K                 | L0800-DE0600K                 |
| 1000mm          | 800mm                  | 400mm                | L1000-SE0400K                 | L1000-DE0400K                 |
|                 |                        | 600mm                | L1000-SE0600K                 | L1000-DE0600K                 |
|                 |                        | 800mm                | L1000-SE0800K                 | L1000-DE0800K                 |
| 1200mm          | 1000mm                 | 600mm                | L1200-SE0600K                 | L1200-DE0600K                 |
|                 |                        | 800mm                | L1200-SE0800K                 | L1200-DE0800K                 |
|                 |                        | 1000mm               | L1200-SE1000K                 | L1200-DE1000K                 |
| 1400mm          | 1200mm                 | 800mm                | L1400-SE0800K                 | L1400-DE0800K                 |
|                 |                        | 1000mm               | L1400-SE1000K                 | L1400-DE1000K                 |
|                 |                        | 1200mm               | L1400-SE1200K                 | L1400-DE1200K                 |



Configuration for single exit option.



Configuration for double exit option.

## ZERO CONTACT

### CURVE CONVEYOR

|               |  |
|---------------|--|
| Company       |  |
| Sales contact |  |
| Contact       |  |
| Date          |  |

| Technical features              | Please circle required input or fill the proper field |            |                        |                      |  |             |             |             |
|---------------------------------|---|------------|------------------------|----------------------|--|-------------|-------------|-------------|
| Radius - mm (in)                | 600 (23.6)  | 800 (31.5) | 1000 (39.4)            | 1200 (47.2)          | 1400 (55.1)                                  | 1600 (63)   | 1800 (70.9) | 2000 (78.7) |
| Width - mm (in)                 | 200 (7.9)   | 400 (15.7) | 600 (23.6)             | 800 (31.5)           | 1000 (39.4)                                  | 1200 (47.2) | 1400 (55.1) | 1600 (63)   |
| Angle                           | 90°   |            |                        | 180°                 |  |             | Different:  |             |
| Direction                       | Right (clockwise)                                     |            |                        |                      | Left (counter clockwise)                     |             |             |             |
| Gearmotor position              | Internal  |            |                        |                      | External                                     |             |             |             |
| Transfer plates                 | Plastic with stainless steel rollers                  |            |                        |                      | Stainless steel with stainless steel rollers |             |             |             |
| Gearmotor *                     | No  | Yes        | SEW                    | Different shaft for: |  |             |             |             |
| Floor supports height - mm (in) | No  | Yes        | 1000+/-75 (39.4+/-3.0) | Different:           |  |             |             |             |
| ZeroATP - mm (in) **            | No  | Yes        | Infeed                 | Outfeed              |  | 250 (9.8)   | 500 (19.7)  |             |

\* For a different gearmotor, please fill with type and model, we will provide a quotation with the proper machined shaft

\*\* In case of ZeroATP selected, standard transfers will not be included (based on sides selected)



**ZERO<sup>PRO</sup>ATP**  
ACTIVE TRANSFER PLATE

ZeroATP Pro \*\*

No Yes

|                                |  |
|--------------------------------|--|
| Type of product                |  |
| Product dimensions (mm)        |  |
| Weight per linear meter (Kg/m) |  |
| Belt Speed                     |  |
| Number of tracks per products  |  |

### Double check here if your combination Radius/Width is available

| W/R         | 600 (23.6) | 800 (31.5) | 1000 (39.4) | 1200 (47.2) | 1400 (55.1) | 1600 (63) | 1800 (70.9) | 2000 (78.7) |
|-------------|------------|------------|-------------|-------------|-------------|-----------|-------------|-------------|
| 200 (7.9)   |            |            |             |             |             |           |             |             |
| 400 (15.7)  |            |            |             |             |             |           |             |             |
| 600 (23.6)  |            |            |             |             |             |           |             |             |
| 800 (31.5)  |            |            |             |             |             |           |             |             |
| 1000 (39.4) |            |            |             |             |             |           |             |             |
| 1200 (47.2) |            |            |             |             |             |           |             |             |
| 1400 (55.1) |            |            |             |             |             |           |             |             |
| 1600 (63)   |            |            |             |             |             |           |             |             |



### Example of module filled

| Technical features                | Please circle required input or fill the proper field |            |                        |                      |  |             |             |             |
|-----------------------------------|---|------------|------------------------|----------------------|--|-------------|-------------|-------------|
| Radius - mm (inch)                | 600 (23.6)  | 800 (31.5) | 1000 (39.4)            | 1200 (47.2)          | 1400 (55.1)                                  | 1600 (63)   | 1800 (70.9) | 2000 (78.7) |
| Width - mm (inch)                 | 200 (7.9)   | 400 (15.7) | 600 (23.6)             | 800 (31.5)           | 1000 (39.4)                                  | 1200 (47.2) | 1400 (55.1) | 1600 (63)   |
| Angle                             | 90°   |            |                        | 180°                 |  |             | Different:  |             |
| Direction                         | Right (clockwise)                                     |            |                        |                      | Left (counter clockwise)                     |             |             |             |
| Gearmotor position                | Internal  |            |                        |                      | External                                     |             |             |             |
| Transfer plates                   | Plastic with stainless steel rollers                  |            |                        |                      | Stainless steel with stainless steel rollers |             |             |             |
| Painted steel frames              | Blue Grey RAL 7031                                    |            |                        |                      | Different (specify the RAL):                 |             |             |             |
| Bottom safety cover               | Yes   |            |                        |                      | No   |             |             |             |
| Gearmotor *                       | No  | Yes        | BONFIGLIOLI            | Different shaft for: |  |             |             |             |
| Floor supports height - mm (inch) | No  | Yes        | 1000+/-75 (39.4+/-3.0) | Different:           |  |             |             |             |
| ZeroATP - mm (inch) **            | No  | Yes        | Infeed                 | Outfeed              |  | 250 (9.8)   | 500 (19.7)  |             |

## ZERO CONTACT

### CURVE CONVEYOR

|               |  |
|---------------|--|
| Company       |  |
| Sales contact |  |
| Contact       |  |
| Date          |  |

| Technical features              | Please circle required input or fill the proper field |            |                        |                      |  |             |             |             |             |
|---------------------------------|---|------------|------------------------|----------------------|--|-------------|-------------|-------------|-------------|
| Radius - mm (in)                | 586 (23.1)  | 756 (29.8) | 1011 (39.8)            | 1031 (40.6)          | 1116 (43.9)                                  | 1201 (47.3) | 1286 (50.6) | 1456 (57.3) | 1541 (60.7) |
| Width - mm (in)                 | 249 (9.8)   | 269 (10.6) | 419 (16.5)             | 439 (17.3)           | 504 (19.8)                                   | 524 (20.6)  | 864 (34)    | 1034 (40.7) |             |
| Angle                           | 90°   |            |                        | 180°                 |  |             | Different:  |             |             |
| Direction                       | Right (clockwise)                                     |            |                        |                      | Left (counter clockwise)                     |             |             |             |             |
| Version *                       | Standard  |            |                        |                      | "Two-Tracks"                                 |             |             |             |             |
| Gearmotor position              | Internal  |            |                        |                      | External                                     |             |             |             |             |
| Transfer plates                 | Plastic with stainless steel rollers                  |            |                        |                      | Stainless steel with stainless steel rollers |             |             |             |             |
| Gearmotor **                    | No  | Yes        | SEW                    | Different shaft for: |  |             |             |             |             |
| Floor supports height - mm (in) | No  | Yes        | 1000+/-75 (39.4+/-3.0) | Different:           |  |             |             |             |             |
| ZeroATP - mm (in) ***           | No  | Yes        | Infeed                 | Outfeed              | 250 (9.8)                                    | 500 (19.7)  |             |             |             |

\* In case of "Two-Tracks" version, no need to fill Gearmotor position fields

\*\* In case of different gearmotor, please provide model and type name and we will quote a curve with required machined shaft

\*\*\* In case of ZeroATP, standard transfers plates will not be included (based on the side selected)



TRY IT NOW!

ZERO ATP  
ACTIVE TRANSFER PLATE

| ZeroATP Pro *** |     |
|-----------------|-----|
| No              | Yes |

|                                |  |
|--------------------------------|--|
| Type of product                |  |
| Product dimensions (mm)        |  |
| Weight per linear meter (Kg/m) |  |
| Belt Speed                     |  |
| Number of tracks per products  |  |

### Double check here if your combination Radius/Width is available

| W/R         | 586 (23.1) | 756 (29.8) | 1011 (39.8) | 1031 (40.6) | 1116 (43.9) | 1201 (47.3) | 1286 (50.6) | 1456 (57.3) | 1541 (60.7) |
|-------------|------------|------------|-------------|-------------|-------------|-------------|-------------|-------------|-------------|
| 249 (9.8)   |            |            |             |             |             |             |             |             |             |
| 269 (10.6)  |            |            |             |             |             |             |             |             |             |
| 419 (16.5)  |            |            |             |             |             |             |             |             |             |
| 439 (17.3)  |            |            |             |             |             |             |             |             |             |
| 504 (19.8)  |            |            |             |             |             |             |             |             |             |
| 524 (20.6)  |            |            |             |             |             |             |             |             |             |
| 864 (34)    |            |            |             |             |             |             |             |             |             |
| 1034 (40.7) |            |            |             |             |             |             |             |             |             |



### Example of module filled

| Technical features                | Please circle required input or fill the proper field |            |                        |                      |                              |             |             |             |  |
|-----------------------------------|---|------------|------------------------|----------------------|------------------------------|-------------|-------------|-------------|--|
| Radius - mm (Inch)                | 600 (23.6)  | 800 (31.5) | 1000 (39.4)            | 1200 (47.2)          | 1400 (55.1)                  | 1600 (63)   | 1800 (70.9) | 2000 (78.7) |  |
| Width - mm (Inch)                 | 200 (7.9)   | 400 (15.7) | 600 (23.6)             | 800 (31.5)           | 1000 (39.4)                  | 1200 (47.2) | 1400 (55.1) | 1600 (63)   |  |
| Angle                             | 90°   |            |                        | 180°                 |                              |             | Different:  |             |  |
| Direction                         | Right (clockwise)                                     |            |                        |                      | Left (counter clockwise)     |             |             |             |  |
| Gearmotor position                | Internal  |            |                        |                      | External                     |             |             |             |  |
| Transfer plates                   | Plastic with stainless steel rollers                  |            |                        |                      | No                           |             |             |             |  |
| Painted steel frames              | Blue Grey RAL 7031                                    |            |                        |                      | Different (specify the RAL): |             |             |             |  |
| Bottom safety cover               | Yes   |            |                        |                      | No                           |             |             |             |  |
| Gearmotor *                       | No  | Yes        | BONFIGLIOLI            | Different shaft for: |                              |             |             |             |  |
| Floor supports height - mm (Inch) | No  | Yes        | 1000+/-75 (39.4+/-3.0) | Different:           |                              |             |             |             |  |
| ZeroATP - mm (Inch) **            | No  | Yes        | Infeed                 | Outfeed              | 250 (9.8)                    | 500 (19.7)  |             |             |  |

## ZERO CONTACT S

CURVE CONVEYOR

|               |  |
|---------------|--|
| Company       |  |
| Sales contact |  |
| Contact       |  |
| Date          |  |

| Technical features              | Please circle required input or fill the proper field |            |                        |                      |                              |             |             |             |
|---------------------------------|---|------------|------------------------|----------------------|------------------------------|-------------|-------------|-------------|
| Radius - mm (in)                | 600 (23.6)  | 800 (31.5) | 1000 (39.4)            | 1200 (47.2)          | 1400 (55.1)                  | 1600 (63)   | 1800 (70.9) | 2000 (78.7) |
| Width - mm (in)                 | 200 (7.9)   | 400 (15.7) | 600 (23.6)             | 800 (31.5)           | 1000 (39.4)                  | 1200 (47.2) | 1400 (55.1) | 1600 (63)   |
| Angle                           | 90°   |            |                        | 180°                 |                              |             | Different:  |             |
| Direction                       | Right (clockwise)                                     |            |                        |                      | Left (counter clockwise)     |             |             |             |
| Gearmotor position              | Internal  |            |                        |                      | External                     |             |             |             |
| Transfer plates                 | Plastic with stainless steel rollers                  |            |                        |                      | No                           |             |             |             |
| Painted steel frames            | Blue Grey RAL 7031                                    |            |                        |                      | Different (specify the RAL): |             |             |             |
| Bottom safety cover             | Yes   |            |                        |                      | No                           |             |             |             |
| Gearmotor *                     | No  | Yes        | BONFIGLIOLI            | Different shaft for: |                              |             |             |             |
| Floor supports height - mm (in) | No  | Yes        | 1000+/-75 (39.4+/-3.0) | Different:           |                              |             |             |             |
| ZeroATP - mm (in) **            | No  | Yes        | Infeed                 | Outfeed              |                              | 250 (9.8)   | 500 (19.7)  |             |

\* In case of different gearmotor, please provide model and type name and we will quote a curve with required machined shaft

\*\* In case of ZeroATP, standard transfers plates will not be included (based on the side selected)



TRY IT NOW!

**ZERO<sup>PRO</sup>ATP**  
ACTIVE TRANSFER PLATE

ZeroATP Pro \*\*

No Yes

|                                |  |
|--------------------------------|--|
| Type of product                |  |
| Product dimensions (mm)        |  |
| Weight per linear meter (Kg/m) |  |
| Belt Speed                     |  |
| Number of tracks per products  |  |

### Double check here if your combination Radius/Width is available

| W/R         | 600 (23.6) | 800 (31.5) | 1000 (39.4) | 1200 (47.2) | 1400 (55.1) | 1600 (63) | 1800 (70.9) | 2000 (78.7) |
|-------------|------------|------------|-------------|-------------|-------------|-----------|-------------|-------------|
| 200 (7.9)   |            |            |             |             |             |           |             |             |
| 400 (15.7)  |            |            |             |             |             |           |             |             |
| 600 (23.6)  |            |            |             |             |             |           |             |             |
| 800 (31.5)  |            |            |             |             |             |           |             |             |
| 1000 (39.4) |            |            |             |             |             |           |             |             |
| 1200 (47.2) |            |            |             |             |             |           |             |             |
| 1400 (55.1) |            |            |             |             |             |           |             |             |
| 1600 (63)   |            |            |             |             |             |           |             |             |



### Example of module filled

| Technical features                | Please circle required input or fill the proper field |            |                        |                      |                              |             |             |             |
|-----------------------------------|---|------------|------------------------|----------------------|------------------------------|-------------|-------------|-------------|
| Radius - mm (inch)                | 600 (23.6)  | 800 (31.5) | 1000 (39.4)            | 1200 (47.2)          | 1400 (55.1)                  | 1600 (63)   | 1800 (70.9) | 2000 (78.7) |
| Width - mm (inch)                 | 200 (7.9)   | 400 (15.7) | 600 (23.6)             | 800 (31.5)           | 1000 (39.4)                  | 1200 (47.2) | 1400 (55.1) | 1600 (63)   |
| Angle                             | 90°   |            |                        | 180°                 |                              |             | Different:  |             |
| Direction                         | Right (clockwise)                                     |            |                        |                      | Left (counter clockwise)     |             |             |             |
| Gearmotor position                | Internal  |            |                        |                      | External                     |             |             |             |
| Transfer plates                   | Plastic with stainless steel rollers                  |            |                        |                      | No                           |             |             |             |
| Painted steel frames              | Blue Grey RAL 7031                                    |            |                        |                      | Different (specify the RAL): |             |             |             |
| Bottom safety cover               | Yes   |            |                        |                      | No                           |             |             |             |
| Gearmotor *                       | No  | Yes        | BONFIGLIOLI            | Different shaft for: |                              |             |             |             |
| Floor supports height - mm (inch) | No  | Yes        | 1000+/-75 (39.4+/-3.0) | Different:           |                              |             |             |             |
| ZeroATP - mm (inch) **            | No  | Yes        | Infeed                 | Outfeed              |                              | 250 (9.8)   | 500 (19.7)  |             |

## 553 SORTER+ MULTIDIRECTIONAL CONVEYOR

|               |  |
|---------------|--|
| Company       |  |
| Sales contact |  |
| Contact       |  |
| Date          |  |

| Technical features              | Please circle required input or fill the proper field |            |                        |             |                      |                            |             |            |             |
|---------------------------------|---|------------|------------------------|-------------|----------------------|----------------------------|-------------|------------|-------------|
| Width - mm (in)                 | 390 (15.4)  | 470 (18.5) | 545 (21.5)             | 620 (24.4)  | 695 (27.4)           | 770 (30.3)                 | 850 (33.5)  | 925 (36.4) | 1000 (39.4) |
| Length - mm (in)                | 600 (23.6)  |            | 800 (31.5)             |             | 1000 (39.4)          |                            | 1200 (47.2) |            | 1400 (55.1) |
| Version                         | DIVERTER  |            | DYNAMIC TURN           |             |                      | STATIC TURN                |             | SPEED      |             |
| Exit width - mm (in)            | 400 (15.8)  |            | 600 (23.6)             |             | 800 (31.5)           |                            | 1000 (39.4) |            | 1200 (47.2) |
| Exit type - mm (in)             | SINGLE  |            |                        |             | DOUBLE               |                            |             |            |             |
| Accessories                     | No  | Yes        | Photo eyes             |             |                      | Photo eyes and Side guides |             |            |             |
| Gearmotor *                     | No  | Yes        | SEW                    | BONFIGLIOLI | Different shaft for: |                            |             |            |             |
| Floor supports height - mm (in) | No  | Yes        | 1000+/-75 (39.4+/-3.0) |             | Different:           |                            |             |            |             |

\* For a different gearmotor, please fill with type and model, we will provide a quotation with the proper machined shaft

\*\* In case of ZeroATP, standard transfers plates will not be included (based on the side selected)



|                |     |
|----------------|-----|
| ZeroATP Pro ** |     |
| No             | Yes |

|                         |        |
|-------------------------|--------|
| Type of product         |        |
| Product dimensions (mm) |        |
| Product weight (Kg)     |        |
| Belt Speed              |        |
| Capacity                |        |
| Product pitch           |        |
| Movement description    | Sketch |

### Double check here if your combination Length/Width is available

| W/R         | 600 (23.6) | 800 (31.5) | 1000 (39.4) | 1200 (47.2) | 1400 (55.1) |
|-------------|------------|------------|-------------|-------------|-------------|
| 390 (15.35) |            |            |             |             |             |
| 470 (18.5)  |            |            |             |             |             |
| 545 (21.45) |            |            |             |             |             |
| 620 (24.4)  |            |            |             |             |             |
| 695 (27.36) |            |            |             |             |             |
| 770 (30.3)  |            |            |             |             |             |
| 850 (33.46) |            |            |             |             |             |
| 925 (36.4)  |            |            |             |             |             |
| 1000 (39.4) |            |            |             |             |             |

### Example of module filled

| Technical features              | Please circle required input or fill the proper field |            |                        |             |                      |                            |             |            |             |
|---------------------------------|---|------------|------------------------|-------------|----------------------|----------------------------|-------------|------------|-------------|
| Width - mm (in)                 | 390 (15.4)  | 470 (18.5) | 545 (21.5)             | 620 (24.4)  | 695 (27.4)           | 770 (30.3)                 | 850 (33.5)  | 925 (36.4) | 1000 (39.4) |
| Length - mm (in)                | 600 (23.6)  |            | 800 (31.5)             |             | 1000 (39.4)          |                            | 1200 (47.2) |            | 1400 (55.1) |
| Version                         | DIVERTER  |            | DYNAMIC TURN           |             |                      | STATIC TURN                |             | SPEED      |             |
| Exit width - mm (in)            | 400 (15.8)  |            | 600 (23.6)             |             | 800 (31.5)           |                            | 1000 (39.4) |            | 1200 (47.2) |
| Exit type - mm (in)             | SINGLE  |            |                        |             | DOUBLE               |                            |             |            |             |
| Accessories                     | No  | Yes        | Photo eyes             |             |                      | Photo eyes and Side guides |             |            |             |
| Gearmotor *                     | No  | Yes        | SEW                    | BONFIGLIOLI | Different shaft for: |                            |             |            |             |
| Floor supports height - mm (in) | No  | Yes        | 1000+/-75 (39.4+/-3.0) |             | Different:           |                            |             |            |             |



# 311

For bore tolerance refers to Movex engineering manual available on our website.



# Belt sprockets

|                               |   |   |   |                                    |  |
|-------------------------------|---|---|---|------------------------------------|--|
| <b>510</b><br><br>Pag 312     | <b>521-520 HD-522 HD-520 PRO LBP</b><br><br>Pag 313 | <b>521-520 HD-522 HD-520 PRO LBP</b><br><br>Pag 313 | <b>521-520 HD-522 HD-520 PRO LBP</b><br><br>Pag 314 | <b>520</b><br><br>Pag 314          | <b>520</b><br><br>Pag 315              |
| <b>520</b><br><br>Pag 315     | <b>520</b><br><br>Pag 316                           | <b>520</b><br><br>Pag 316                           | <b>525-530</b><br><br>Pag 317                       | <b>525-530</b><br><br>Pag 317      | <b>590</b><br><br>Pag 318              |
| <b>590</b><br><br>Pag 318     | <b>550</b><br><br>Pag 319                           | <b>550</b><br><br>Pag 319                           | <b>550</b><br><br>Pag 320                           | <b>550</b><br><br>Pag 320          | <b>550 PRO</b><br><br>Pag 321          |
| <b>550 PRO</b><br><br>Pag 321 | <b>550 PRO</b><br><br>Pag 322                       | <b>550 PRO</b><br><br>Pag 322                       | <b>551</b><br><br>Pag 323                           | <b>551</b><br><br>Pag 323          | <b>551</b><br><br>Pag 324              |
| <b>551</b><br><br>Pag 324     | <b>552</b><br><br>Pag 325                           | <b>552</b><br><br>Pag 325                           | <b>553</b><br><br>Pag 326                           | <b>553</b><br><br>Pag 326          | <b>556</b><br><br>Pag 327              |
| <b>556</b><br><br>Pag 327     | <b>260-261</b><br><br>Pag 328                       | <b>260-261</b><br><br>Pag 328                       | <b>260-261</b><br><br>Pag 329                       | <b>260-261</b><br><br>Pag 329      | <b>600</b><br><br>Pag 330              |
| <b>600</b><br><br>Pag 330     | <b>600 Support</b><br><br>Pag 331                   | <b>600 Support</b><br><br>Pag 331                   | <b>600 Split S. roller</b><br><br>Pag 331           | <b>ZERO CONTACT</b><br><br>Pag 332 | <b>ZERO CONTACT PRO</b><br><br>Pag 332 |
| <b>500RR</b><br><br>Pag 333   | <b>500RR</b><br><br>Pag 333                         | <b>500RR SPLIT V.</b><br><br>Pag 334                |   |                                    |  |

Material Info:

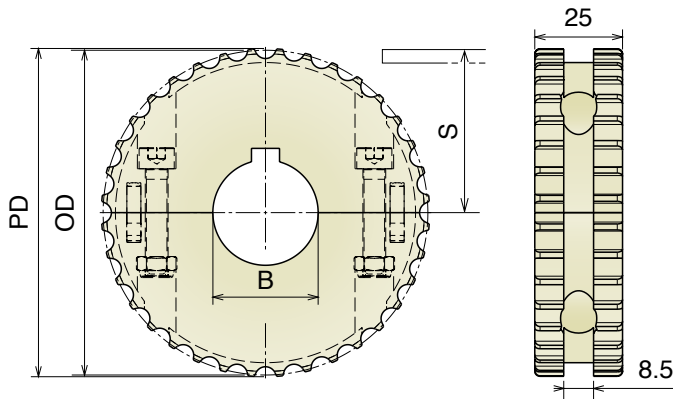


pg. 666

## 510

Ruota traino divisa, fresata

Split drive sprocket, machined / geteiltes Antriebskettenrad, gefräst



| Part | Article-Nr. | Z-   | Bore  | PD   | OD   | S     |
|------|-------------|------|-------|------|------|-------|
| 1599 | 159936E     | 16** | 20    | 41   | 40,2 | 16,65 |
| 1601 | 160101E     | 18** | 25    | 46,5 | 47,3 | 20,2  |
| 1601 | 160111E     |      | 20*20 | □    |      |       |
| 1598 | 159896E     | 20** | 25    | 51,5 | 51,5 | 22,3  |
| 1602 | 160201E     | 24** | 25    | 61,8 | 62,6 | 27,9  |
| 1603 | 160206E     |      | 25*25 | □    |      |       |
| 1603 | 160301      | 36   | 25    | 92,6 | 93,5 | 43,3  |
| 1603 | 160302      |      | 30    |      |      |       |
| 1603 | 160303      |      | 35    |      |      |       |
| 1603 | 160304      |      | 40    |      |      |       |
| 1603 | 160306      |      | 25*25 | □    |      |       |
| 1603 | 160307      |      | 30*30 | □    |      |       |
| 1603 | 160308      |      | 40*40 | □    |      |       |

\*\*Drive sprockets z-16, z-18, z-20 and z-24 are supplied non-split



**Materiale / Material / Materialien:**

Poliamide/Polyamide/Polyamid

Viti: Acciaio inox/Screws: Stainless steel/Schrauben: Edelstahl

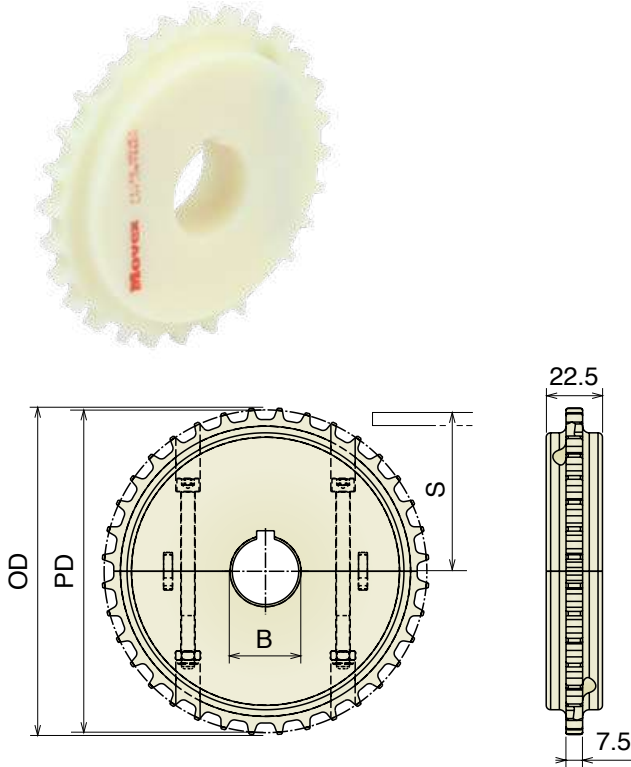
Dadi: ferro zincato/Nuts: zinc plated steel/Mutter: verzinkter Stahl

# 521-520HD-522HD-520PROLBP

Ruote per tappeti / Belt sprockets / Kettenräder für Mattenketten

## 521-520HD-522HD-520PROLBP

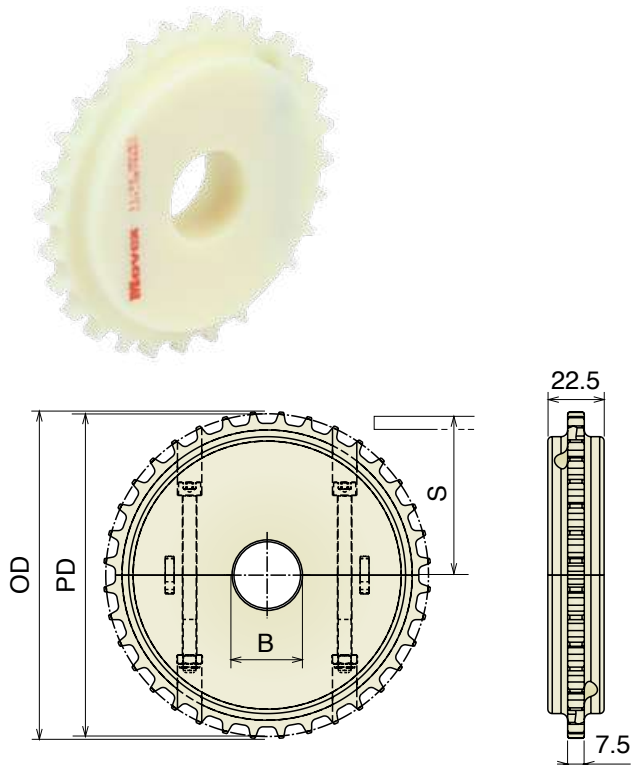
**Ruota traino divisa, fresata**  
**Split drive sprocket, machined**  
**geteiltes Antriebskettenrad, gefräst**



| Part | Article-Nr. | Z- | Bore   | PD    | OD    | S    |
|------|-------------|----|--------|-------|-------|------|
| 1561 | 156101      | 28 | 25     | 113,4 | 115,4 | 52,4 |
| 1561 | 156102      |    | 30     |       |       |      |
| 1561 | 156103      |    | 35     |       |       |      |
| 1561 | 156104      |    | 40     |       |       |      |
| 1561 | 156106      |    | 25* 25 | ∇     |       |      |
| 1561 | 156107      |    | 30* 30 | ∇     |       |      |
| 1561 | 156108      |    | 40* 40 | ∇     |       |      |
| 1562 | 156201      | 36 | 25     | 145,7 | 147,7 | 68,5 |
| 1562 | 156202      |    | 30     |       |       |      |
| 1562 | 156203      |    | 35     |       |       |      |
| 1562 | 156204      |    | 40     |       |       |      |
| 1562 | 156206      |    | 25* 25 | ∇     |       |      |
| 1562 | 156207      |    | 30* 30 | ∇     |       |      |
| 1562 | 156208      |    | 40* 40 | ∇     |       |      |
| 1563 | 156301      | 38 | 25     | 153,8 | 155,8 | 72,6 |
| 1563 | 156302      |    | 30     |       |       |      |
| 1563 | 156303      |    | 35     |       |       |      |
| 1563 | 156304      |    | 40     |       |       |      |
| 1563 | 156306      |    | 25* 25 | ∇     |       |      |
| 1563 | 156307      |    | 30* 30 | ∇     |       |      |
| 1563 | 156308      |    | 40* 40 | ∇     |       |      |
| 1564 | 156401      | 40 | 25     | 161,9 | 163,8 | 76,6 |
| 1564 | 156402      |    | 30     |       |       |      |
| 1564 | 156403      |    | 35     |       |       |      |
| 1564 | 156404      |    | 40     |       |       |      |
| 1564 | 156406      |    | 25* 25 | ∇     |       |      |
| 1564 | 156407      |    | 30* 30 | ∇     |       |      |
| 1564 | 156408      |    | 40* 40 | ∇     |       |      |

**Ruota rinvio divisa, fresata**

**Split idler sprocket, machined / geteiltes Umlenrad, gefräst**



| Part | Article-Nr. | Z- | Bore | PD    | OD    | S    |
|------|-------------|----|------|-------|-------|------|
| 1561 | 156150      | 28 | 18*  | 113,4 | 115,4 | 52,4 |
| 1561 | 156151      |    | 25   |       |       |      |
| 1561 | 156152      |    | 30   |       |       |      |
| 1561 | 156153      |    | 35   |       |       |      |
| 1561 | 156154      |    | 40   |       |       |      |
| 1562 | 156250      | 36 | 18*  | 145,7 | 147,7 | 68,5 |
| 1562 | 156251      |    | 25   |       |       |      |
| 1562 | 156252      |    | 30   |       |       |      |
| 1562 | 156253      |    | 35   |       |       |      |
| 1562 | 156254      |    | 40   |       |       |      |
| 1563 | 156350      | 38 | 18*  | 153,8 | 155,8 | 72,6 |
| 1563 | 156351      |    | 25   |       |       |      |
| 1563 | 156352      |    | 30   |       |       |      |
| 1563 | 156353      |    | 35   |       |       |      |
| 1563 | 156354      |    | 40   |       |       |      |
| 1564 | 156450      | 40 | 18*  | 161,9 | 163,8 | 76,6 |
| 1564 | 156451      |    | 25   |       |       |      |
| 1564 | 156452      |    | 30   |       |       |      |
| 1564 | 156453      |    | 35   |       |       |      |
| 1564 | 156454      |    | 40   |       |       |      |

\*Plain Bore

# 521-520HD-522HD-520PROLBP

Ruote per tappeti / Belt sprockets / Kettenräder für Mattenketten

• Materiale / Material / Materialien:

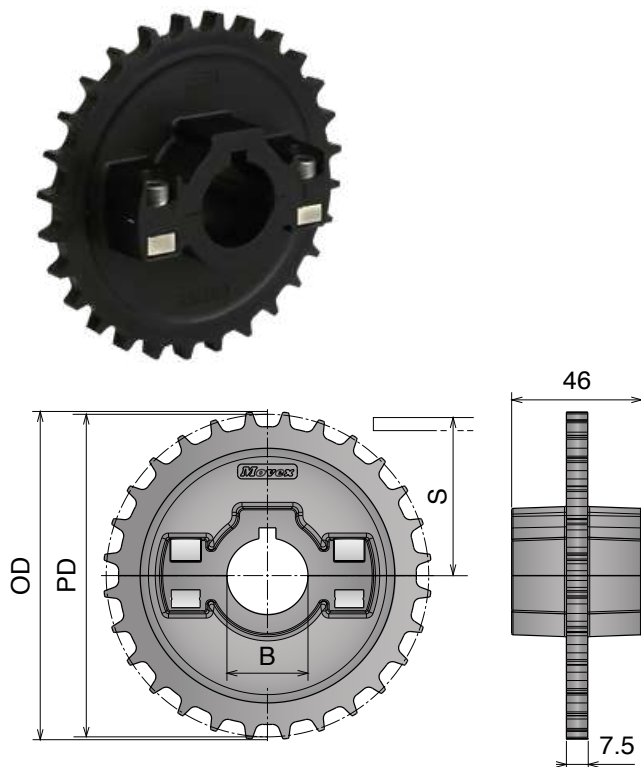
Poliamide/Polyamide/Polyamid

Viti: Acciaio inox/Screws: Stainless steel/Schrauben: Edelstahl

Dadi: ferro zincato/Nuts: zinc plated steel/Mutter: verzinkter Stahl

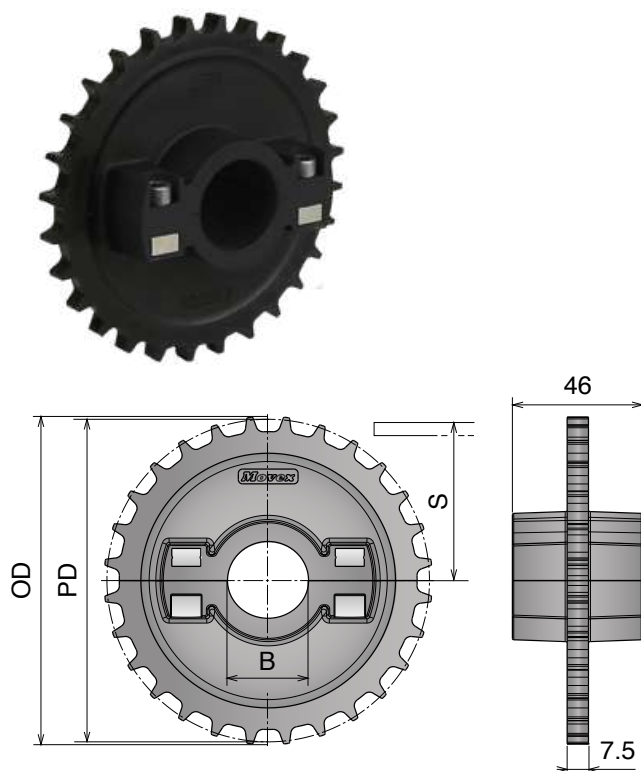
## 521-520HD-522HD-520PROLBP

Ruota traino divisa, stampata  
Split drive sprocket, molded  
geteiltes Antriebskettenrad, gespritzt



| Part | Article-Nr. | Z- | Bore   | PD    | OD    | S    |
|------|-------------|----|--------|-------|-------|------|
| 1630 | 163001      | 24 | 25     | 97,3  | 99,3  | 44,3 |
| 1630 | 163002      |    | 30     |       |       |      |
| 1630 | 163003      |    | 35     |       |       |      |
| 1630 | 163004      |    | 40     |       |       |      |
| 1630 | 163006      |    | 25* 25 | □     |       |      |
| 1630 | 163007      |    | 30* 30 | □     |       |      |
| 1630 | 163008      |    | 40* 40 | □     |       |      |
| 1631 | 163101      | 28 | 25     | 113,4 | 115,4 | 52,4 |
| 1631 | 163102      |    | 30     |       |       |      |
| 1631 | 163103      |    | 35     |       |       |      |
| 1631 | 163104      |    | 40     |       |       |      |
| 1631 | 163106      |    | 25* 25 | □     |       |      |
| 1631 | 163107      |    | 30* 30 | □     |       |      |
| 1631 | 163108      |    | 40* 40 | □     |       |      |
| 1632 | 163201      | 36 | 25     | 145,7 | 147,7 | 68,5 |
| 1632 | 163202      |    | 30     |       |       |      |
| 1632 | 163203      |    | 35     |       |       |      |
| 1632 | 163204      |    | 40     |       |       |      |
| 1632 | 163206      |    | 25* 25 | □     |       |      |
| 1632 | 163207      |    | 30* 30 | □     |       |      |
| 1632 | 163208      |    | 40* 40 | □     |       |      |

Ruota rinvio divisa, stampata  
Split idler sprocket, molded / geteiltes Umlenrad, gespritzt

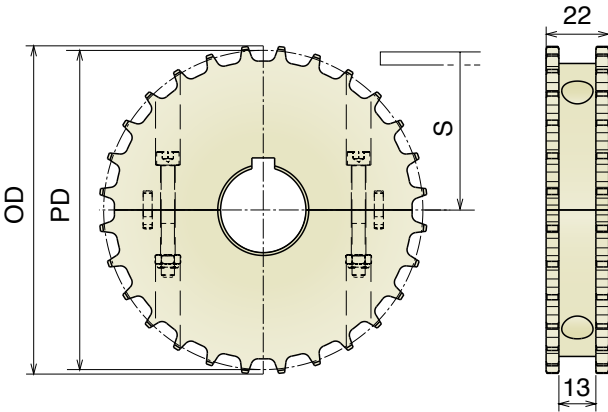


| Part | Article-Nr. | Z- | Bore | PD    | OD    | S    |
|------|-------------|----|------|-------|-------|------|
| 1630 | 163051      | 24 | 25   | 97,3  | 99,3  | 44,3 |
| 1630 | 163052      |    | 30   |       |       |      |
| 1630 | 163053      |    | 35   |       |       |      |
| 1630 | 163054      |    | 40   |       |       |      |
| 1631 | 163151      | 28 | 25   | 113,4 | 115,4 | 52,4 |
| 1631 | 163152      |    | 30   |       |       |      |
| 1631 | 163153      |    | 35   |       |       |      |
| 1631 | 163154      |    | 40   |       |       |      |
| 1632 | 163251      | 36 | 25   | 145,7 | 147,7 | 68,5 |
| 1632 | 163252      |    | 30   |       |       |      |
| 1632 | 163253      |    | 35   |       |       |      |
| 1632 | 163254      |    | 40   |       |       |      |

# 520 Ruota traino divisa, fresata

## Split drive sprocket, machined / geteiltes Antriebskettenrad, gefräst

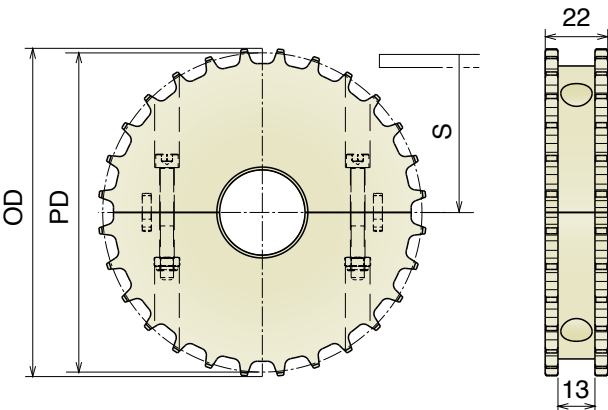
Delivery: **Easy** **Standard**



| Part | Article-Nr. | Z- | Bore   | PD    | OD    | S    |
|------|-------------|----|--------|-------|-------|------|
| 1501 | 150101      | 28 | 25     | 113,4 | 115,4 | 52,4 |
| 1501 | 150102      |    | 30     |       |       |      |
| 1501 | 150103      |    | 35     |       |       |      |
| 1501 | 150104      |    | 40     |       |       |      |
| 1501 | 150106      |    | 25* 25 | □     |       |      |
| 1501 | 150107      |    | 30* 30 | □     |       |      |
| 1501 | 150108      |    | 40* 40 | □     |       |      |
| 1502 | 150201      | 36 | 25     | 145,7 | 147,7 | 68,5 |
| 1502 | 150202      |    | 30     |       |       |      |
| 1502 | 150203      |    | 35     |       |       |      |
| 1502 | 150204      |    | 40     |       |       |      |
| 1502 | 150206      |    | 25* 25 | □     |       |      |
| 1502 | 150207      |    | 30* 30 | □     |       |      |
| 1502 | 150208      |    | 40* 40 | □     |       |      |
| 1503 | 150301      | 38 | 25     | 153,8 | 155,8 | 72,6 |
| 1503 | 150302      |    | 30     |       |       |      |
| 1503 | 150303      |    | 35     |       |       |      |
| 1503 | 150304      |    | 40     |       |       |      |
| 1503 | 150306      |    | 25* 25 | □     |       |      |
| 1503 | 150307      |    | 30* 30 | □     |       |      |
| 1503 | 150308      |    | 40* 40 | □     |       |      |
| 1504 | 150401      | 40 | 25     | 161,9 | 163,8 | 76,6 |
| 1504 | 150402      |    | 30     |       |       |      |
| 1504 | 150403      |    | 35     |       |       |      |
| 1503 | 150404      |    | 40     |       |       |      |
| 1504 | 150406      |    | 25* 25 | □     |       |      |
| 1504 | 150407      |    | 30* 30 | □     |       |      |
| 1504 | 150408      |    | 40* 40 | □     |       |      |

# Ruota rinvio divisa, fresata

## Split idler sprocket, machined / geteiltes Umlenrad, gefräst



| Part | Article-Nr. | Z- | Bore | PD    | OD    | S    |
|------|-------------|----|------|-------|-------|------|
| 1501 | 150150      | 28 | 18*  | 113,4 | 115,4 | 52,4 |
| 1501 | 150151      |    | 25   |       |       |      |
| 1501 | 150152      |    | 30   |       |       |      |
| 1501 | 150153      |    | 35   |       |       |      |
| 1501 | 150154      |    | 40   |       |       |      |
| 1502 | 150250      | 36 | 18*  | 145,7 | 147,7 | 68,5 |
| 1502 | 150251      |    | 25   |       |       |      |
| 1502 | 150252      |    | 30   |       |       |      |
| 1502 | 150253      |    | 35   |       |       |      |
| 1502 | 150254      |    | 40   |       |       |      |
| 1503 | 150350      | 38 | 18*  | 153,8 | 155,8 | 72,6 |
| 1503 | 150351      |    | 25   |       |       |      |
| 1503 | 150352      |    | 30   |       |       |      |
| 1503 | 150353      |    | 35   |       |       |      |
| 1503 | 150354      |    | 40   |       |       |      |
| 1504 | 150450      | 40 | 18*  | 161,9 | 163,8 | 76,6 |
| 1504 | 150451      |    | 25   |       |       |      |
| 1504 | 150452      |    | 30   |       |       |      |
| 1504 | 150453      |    | 35   |       |       |      |
| 1504 | 150454      |    | 40   |       |       |      |

\*Plain Bore

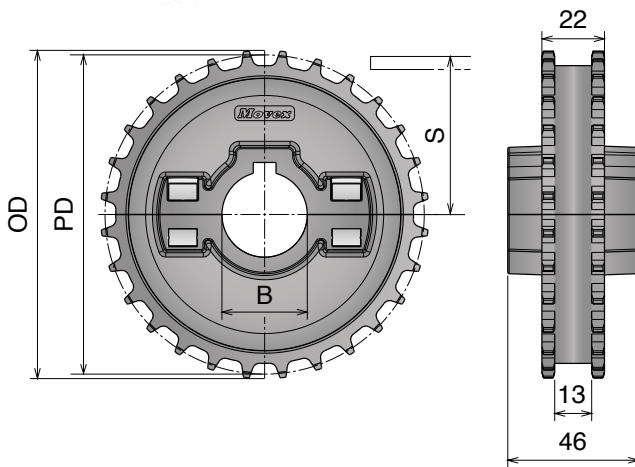
## • Materiale / Material / Materialien:

Poliammide rinforzato / Polyamide reinforced / Verstärktes Polyamid  
 Viti: Acciaio inox / Screws: Stainless steel / Schrauben: Edelstahl  
 Dadi: Ottone nichelato / Nuts: Nickel plated brass / Mutter: Messing

## 520

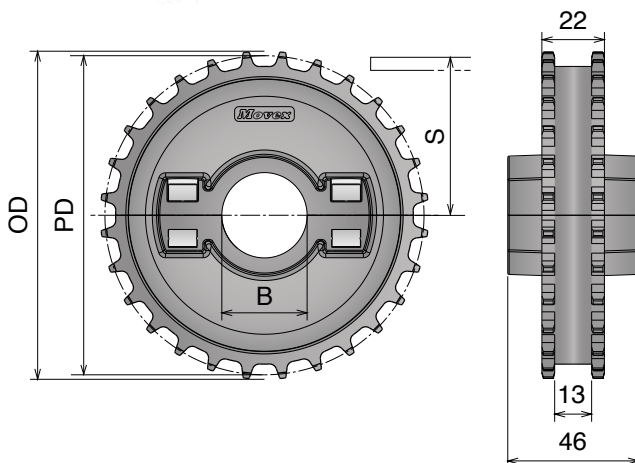
Ruota traino divisa, stampata  
 Split drive sprocket, molded / geteiltes Antriebskettenrad, gespritzt

Delivery: **Easy** **Standard**



### Ruota rinvio divisa, stampata

Split idler sprocket, molded / geteiltes Umlenrad, gespritzt



| Part | Article-Nr. | Z- | Bore   | PD    | OD    | S    |
|------|-------------|----|--------|-------|-------|------|
| 1505 | 150501      | 24 | 25     | 97,3  | 99,3  | 44,3 |
| 1505 | 150502      |    | 30     |       |       |      |
| 1505 | 150503      |    | 35     |       |       |      |
| 1505 | 150504      |    | 40     |       |       |      |
| 1505 | 150506      |    | 25* 25 | □     |       |      |
| 1505 | 150507      |    | 30* 30 | □     |       |      |
| 1505 | 150508      |    | 40* 40 | □     |       |      |
| 1506 | 150601      | 28 | 25     | 113,4 | 115,4 | 52,4 |
| 1506 | 150602      |    | 30     |       |       |      |
| 1506 | 150603      |    | 35     |       |       |      |
| 1506 | 150604      |    | 40     |       |       |      |
| 1506 | 150606      |    | 25* 25 | □     |       |      |
| 1506 | 150607      |    | 30* 30 | □     |       |      |
| 1506 | 150608      |    | 40* 40 | □     |       |      |
| 1507 | 150701      | 36 | 25     | 145,7 | 147,7 | 68,5 |
| 1507 | 150702      |    | 30     |       |       |      |
| 1507 | 150703      |    | 35     |       |       |      |
| 1507 | 150704      |    | 40     |       |       |      |
| 1507 | 150706      |    | 25* 25 | □     |       |      |
| 1507 | 150707      |    | 30* 30 | □     |       |      |
| 1507 | 150708      |    | 40* 40 | □     |       |      |

| Part | Article-Nr. | Z- | Bore | PD    | OD    | S    |
|------|-------------|----|------|-------|-------|------|
| 1505 | 150551      | 24 | 25   | 97,3  | 99,3  | 44,3 |
| 1505 | 150552      |    | 30   |       |       |      |
| 1505 | 150553      |    | 35   |       |       |      |
| 1505 | 150554      |    | 40   |       |       |      |
| 1506 | 150651      | 28 | 25   | 113,4 | 115,4 | 52,4 |
| 1506 | 150652      |    | 30   |       |       |      |
| 1506 | 150653      |    | 35   |       |       |      |
| 1506 | 150654      |    | 40   |       |       |      |
| 1507 | 150751      | 36 | 25   | 145,7 | 147,7 | 68,5 |
| 1507 | 150752      |    | 30   |       |       |      |
| 1507 | 150753      |    | 35   |       |       |      |
| 1507 | 150754      |    | 40   |       |       |      |

**Materiale / Material / Materialien:**

Poliammide/Polyamide/Polyamid

Viti: Acciaio inox/Screws: Stainless steel/Schrauben: Edelstahl

Dadi: ferro zincato/Nuts: zinc plated steel/Mutter: verzinkter Stahl

**525-530**

Ruote per tappeti / Belt sprockets / Kettenräder für Mattenketten

**525-530**

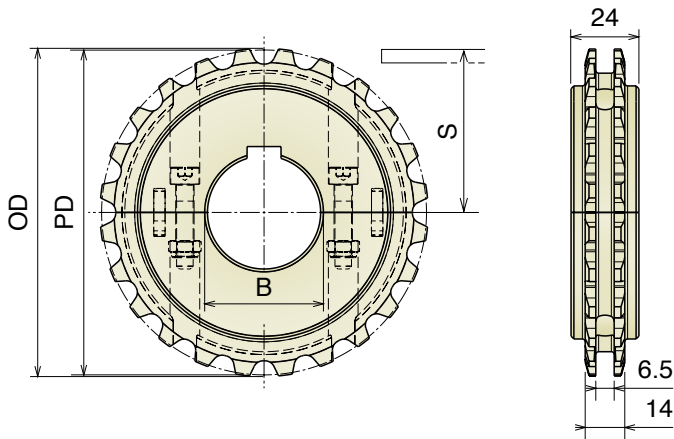
**Ruota traino divisa, fresata**

*Split drive sprocket, machined / geteiltes Antriebskettenrad, gefräst*

Delivery: **Easy** **Standard**

| Part | Article-Nr. | Z-   | Bore    | PD    | OD    | S     |
|------|-------------|------|---------|-------|-------|-------|
| 1581 | 158101E     | 12** | 25      | 58,1  | 58,2  | 24,1  |
| 1581 | 158106E     |      | 25x25 □ |       |       |       |
| 1582 | 158201E     | 16** | 25      | 77,1  | 77,7  | 33,6  |
| 1582 | 158202E     |      | 30      |       |       |       |
| 1582 | 158206E     |      | 25x25 □ |       |       |       |
| 1582 | 158207E     |      | 30x30 □ |       |       |       |
| 1583 | 158301      | 24   | 25      | 114,9 | 115,5 | 52,5  |
| 1583 | 158302      |      | 30      |       |       |       |
| 1583 | 158303      |      | 35      |       |       |       |
| 1583 | 158304      |      | 40      |       |       |       |
| 1583 | 158306      |      | 25x25 □ |       |       |       |
| 1583 | 158307      |      | 30x30 □ |       |       |       |
| 1583 | 158308      |      | 40x40 □ |       |       |       |
| 1584 | 158401      | 32   | 25      | 153,4 | 154,8 | 71,75 |
| 1584 | 158402      |      | 30      |       |       |       |
| 1584 | 158403      |      | 35      |       |       |       |
| 1584 | 158404      |      | 40      |       |       |       |
| 1584 | 158406      |      | 25x25 □ |       |       |       |
| 1584 | 158407      |      | 30x30 □ |       |       |       |
| 1584 | 158408      |      | 40x40 □ |       |       |       |

\*\*Drive sprockets Z-12 and Z-16 are supplied non-split.



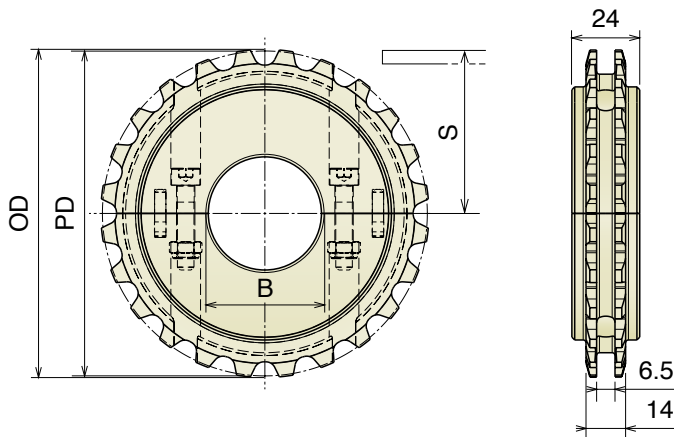
**Ruota rinvio divisa, fresata**

*Split idler sprocket, machined / geteiltes Umlenrad, gefräst*

| Part | Article-Nr. | Z-   | Bore | PD    | OD    | S     |
|------|-------------|------|------|-------|-------|-------|
| 1581 | 158150E     | 12** | 18*  | 58,1  | 58,2  | 24,1  |
| 1581 | 158151E     |      | 25   |       |       |       |
| 1582 | 158250E     | 16** | 18*  | 77,1  | 77,7  | 33,6  |
| 1582 | 158251E     |      | 25   |       |       |       |
| 1582 | 158252E     |      | 30   |       |       |       |
| 1583 | 158350      | 24   | 18*  | 114,9 | 115,5 | 52,5  |
| 1583 | 158351      |      | 25   |       |       |       |
| 1583 | 158352      |      | 30   |       |       |       |
| 1583 | 158353      |      | 35   |       |       |       |
| 1583 | 158354      |      | 40   |       |       |       |
| 1584 | 158450      | 32   | 18*  | 153,4 | 154,8 | 71,75 |
| 1584 | 158451      |      | 25   |       |       |       |
| 1584 | 158452      |      | 30   |       |       |       |
| 1584 | 158453      |      | 35   |       |       |       |
| 1584 | 158454      |      | 40   |       |       |       |

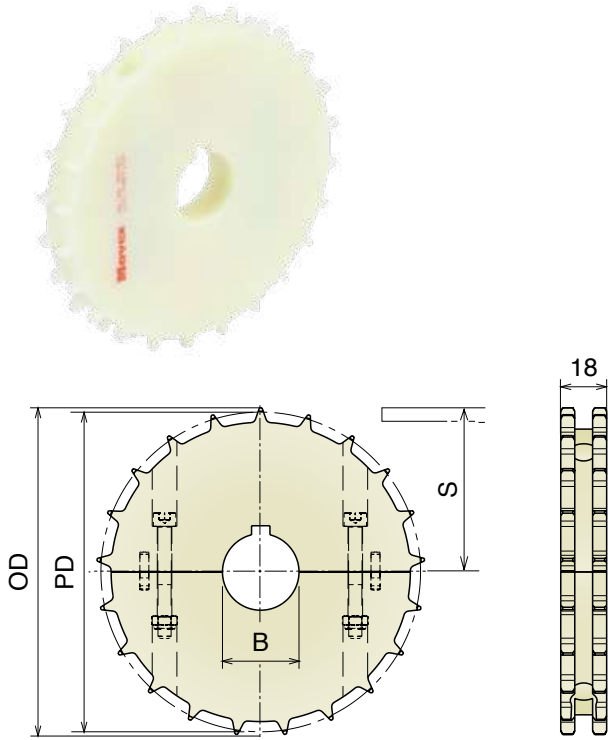
\*\*Drive sprockets Z-12 and Z-16 are supplied non-split.

\*Plain Bore



## 590 Ruota traino divisa, fresata

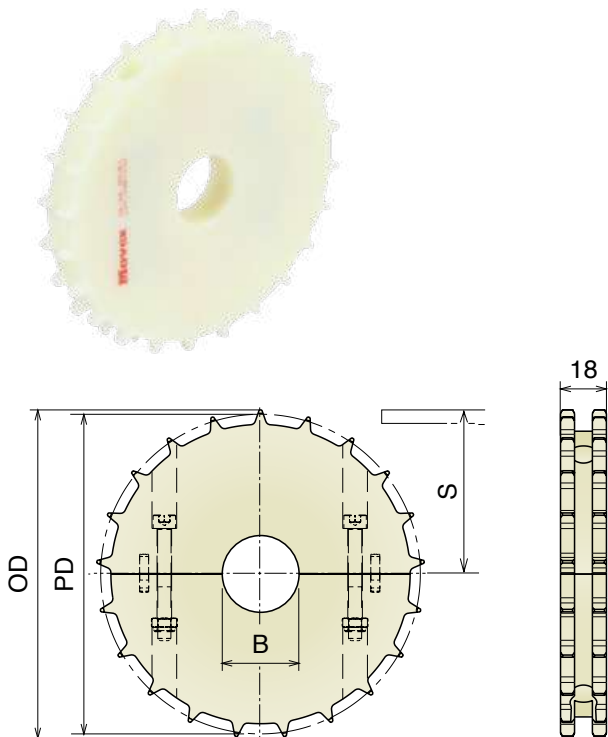
Split drive sprocket, machined / geteiltes Antriebskettenrad, gefräst



| Part | Article-Nr. | Z- | Bore   | PD    | OD    | S     |
|------|-------------|----|--------|-------|-------|-------|
| 1511 | 151101      | 17 | 25     | 100,7 | 103,4 | 46,0  |
| 1511 | 151102      |    | 30     |       |       |       |
| 1511 | 151103      |    | 35     |       |       |       |
| 1511 | 151104      |    | 40     |       |       |       |
| 1511 | 151106      |    | 25* 25 | □     |       |       |
| 1511 | 151107      |    | 30* 30 | □     |       |       |
| 1511 | 151108      |    | 40* 40 | □     |       |       |
| 1512 | 151201      | 21 | 25     | 126,0 | 128,7 | 58,65 |
| 1512 | 151202      |    | 30     |       |       |       |
| 1512 | 151203      |    | 35     |       |       |       |
| 1512 | 151204      |    | 40     |       |       |       |
| 1512 | 151206      |    | 25* 25 | □     |       |       |
| 1512 | 151207      |    | 30* 30 | □     |       |       |
| 1512 | 151208      |    | 40* 40 | □     |       |       |
| 1513 | 151301      | 24 | 25     | 142,9 | 145,6 | 67,1  |
| 1513 | 151302      |    | 30     |       |       |       |
| 1513 | 151303      |    | 35     |       |       |       |
| 1513 | 151304      |    | 40     |       |       |       |
| 1513 | 151306      |    | 25* 25 | □     |       |       |
| 1513 | 151307      |    | 30* 30 | □     |       |       |
| 1513 | 151308      |    | 40* 40 | □     |       |       |
| 1514 | 151401      | 25 | 25     | 149,0 | 151,7 | 70,15 |
| 1514 | 151402      |    | 30     |       |       |       |
| 1514 | 151403      |    | 35     |       |       |       |
| 1514 | 151404      |    | 40     |       |       |       |
| 1514 | 151406      |    | 25* 25 | □     |       |       |
| 1514 | 151407      |    | 30* 30 | □     |       |       |
| 1514 | 151408      |    | 40* 40 | □     |       |       |

## Ruota rinvio divisa, fresata

Split idler sprocket, machined / geteiltes Umlenkrad, gefräst



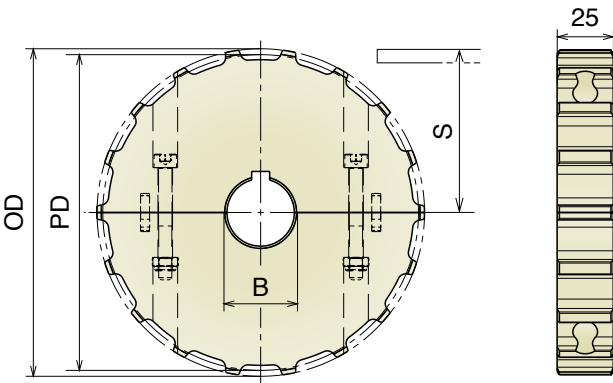
| Part | Article-Nr. | Z- | Bore | PD    | OD    | S     |
|------|-------------|----|------|-------|-------|-------|
| 1511 | 151150      | 17 | 18*  | 100,7 | 103,4 | 46,0  |
| 1511 | 151151      |    | 25   |       |       |       |
| 1511 | 151152      |    | 30   |       |       |       |
| 1511 | 151153      |    | 35   |       |       |       |
| 1511 | 151154      |    | 40   |       |       |       |
| 1512 | 151250      | 21 | 18*  | 126,0 | 128,7 | 58,65 |
| 1512 | 151251      |    | 25   |       |       |       |
| 1512 | 151252      |    | 30   |       |       |       |
| 1512 | 151253      |    | 35   |       |       |       |
| 1512 | 151254      |    | 40   |       |       |       |
| 1513 | 151350      | 24 | 18*  | 142,9 | 145,6 | 67,1  |
| 1513 | 151351      |    | 25   |       |       |       |
| 1513 | 151352      |    | 30   |       |       |       |
| 1513 | 151353      |    | 35   |       |       |       |
| 1513 | 151354      |    | 40   |       |       |       |
| 1514 | 151450      | 25 | 18*  | 149,0 | 151,7 | 70,15 |
| 1514 | 151451      |    | 25   |       |       |       |
| 1514 | 151452      |    | 30   |       |       |       |
| 1514 | 151453      |    | 35   |       |       |       |
| 1514 | 151454      |    | 40   |       |       |       |

\*Plain Bore

# 550 Ruota traino divisa, fresata

## Split drive sprocket, machined / geteiltes Antriebskettenrad, gefräst

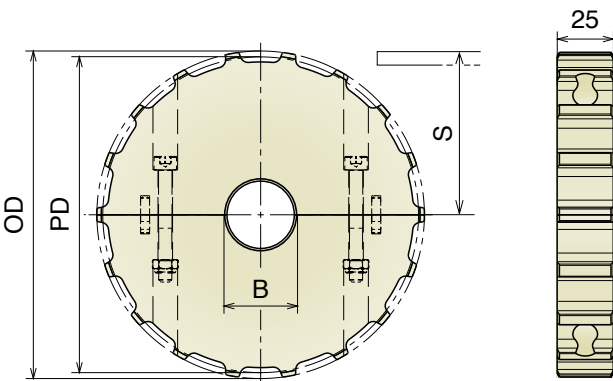
Delivery: **Easy** Standard



| Part | Article-Nr. | Z- | Bore   | PD    | OD    | S    |
|------|-------------|----|--------|-------|-------|------|
| 1521 | 152101      | 14 | 25     | 114,1 | 114,0 | 52,7 |
| 1521 | 152102      |    | 30     |       |       |      |
| 1521 | 152103      |    | 35     |       |       |      |
| 1521 | 152104      |    | 40     |       |       |      |
| 1521 | 152106      |    | 25* 25 | □     |       |      |
| 1521 | 152107      |    | 30* 30 | □     |       |      |
| 1521 | 152108      |    | 40* 40 | □     |       |      |
| 1522 | 152201      | 16 | 25     | 130,2 | 130,0 | 60,7 |
| 1522 | 152202      |    | 30     |       |       |      |
| 1522 | 152203      |    | 35     |       |       |      |
| 1522 | 152204      |    | 40     |       |       |      |
| 1522 | 152206      |    | 25* 25 | □     |       |      |
| 1522 | 152207      |    | 30* 30 | □     |       |      |
| 1522 | 152208      |    | 40* 40 | □     |       |      |
| 1523 | 152301      | 18 | 25     | 146,3 | 146,0 | 68,8 |
| 1523 | 152302      |    | 30     |       |       |      |
| 1523 | 152303      |    | 35     |       |       |      |
| 1523 | 152304      |    | 40     |       |       |      |
| 1523 | 152306      |    | 25* 25 | □     |       |      |
| 1523 | 152307      |    | 30* 30 | □     |       |      |
| 1523 | 152308      |    | 40* 40 | □     |       |      |
| 1524 | 152401      | 20 | 25     | 162,4 | 162,0 | 76,8 |
| 1524 | 152402      |    | 30     |       |       |      |
| 1524 | 152403      |    | 35     |       |       |      |
| 1524 | 152404      |    | 40     |       |       |      |
| 1524 | 152406      |    | 25* 25 | □     |       |      |
| 1524 | 152407      |    | 30* 30 | □     |       |      |
| 1524 | 152408      |    | 40* 40 | □     |       |      |

# Ruota rinvio divisa, fresata

## Split idler sprocket, machined / geteiltes Umlenrad, gefräst



| Part | Article-Nr. | Z- | Bore | PD    | OD    | S    |
|------|-------------|----|------|-------|-------|------|
| 1521 | 152150      | 14 | 18*  | 114,1 | 114,0 | 52,7 |
| 1521 | 152151      |    | 25   |       |       |      |
| 1521 | 152152      |    | 30   |       |       |      |
| 1521 | 152153      |    | 35   |       |       |      |
| 1521 | 152154      |    | 40   |       |       |      |
| 1522 | 152250      | 16 | 18*  | 130,2 | 130,0 | 60,7 |
| 1522 | 152251      |    | 25   |       |       |      |
| 1522 | 152252      |    | 30   |       |       |      |
| 1522 | 152253      |    | 35   |       |       |      |
| 1522 | 152254      |    | 40   |       |       |      |
| 1523 | 152350      | 18 | 18*  | 146,3 | 146,0 | 68,8 |
| 1523 | 152351      |    | 25   |       |       |      |
| 1523 | 152352      |    | 30   |       |       |      |
| 1523 | 152353      |    | 35   |       |       |      |
| 1523 | 152354      |    | 40   |       |       |      |
| 1524 | 152450      | 20 | 18*  | 162,4 | 162,0 | 76,8 |
| 1524 | 152451      |    | 25   |       |       |      |
| 1524 | 152452      |    | 30   |       |       |      |
| 1524 | 152453      |    | 35   |       |       |      |
| 1524 | 152454      |    | 40   |       |       |      |

\*Plain Bore

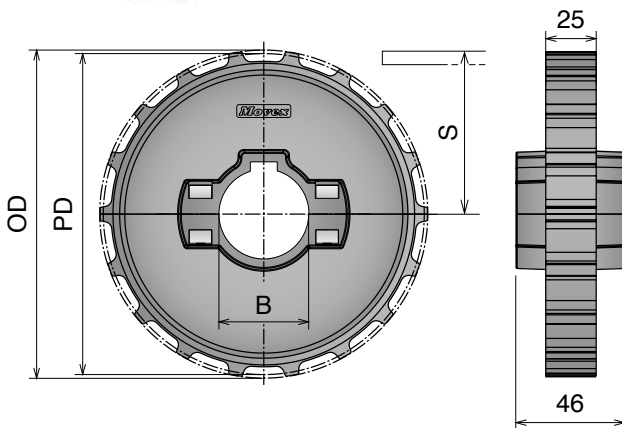
Materiali / Material / Materialien:

Poliammide rinforzato / Polyamide reinforced / Verstärktes Polyamid  
 Viti: Acciaio inox / Screws: Stainless steel / Schrauben: Edelstahl  
 Dadi: Ottone nichelato / Nuts: Nickel plated brass / Mutter: Messing

## 550 Ruota traino divisa, stampata

Split drive sprocket, molded / geteiltes Antriebskettenrad, gespritzt

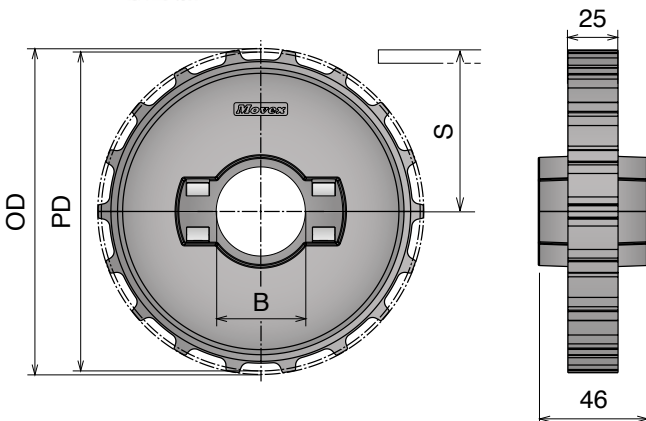
Delivery: **Easy** **Standard**



| Part | Article-Nr. | Z- | Bore   | PD    | OD    | S    |
|------|-------------|----|--------|-------|-------|------|
| 1525 | 152501      | 14 | 25     | 114,1 | 114,0 | 52,7 |
| 1525 | 152502      |    | 30     |       |       |      |
| 1525 | 152503      |    | 35     |       |       |      |
| 1525 | 152504      |    | 40     |       |       |      |
| 1525 | 152506      |    | 25* 25 | □     |       |      |
| 1525 | 152507      |    | 30* 30 | □     |       |      |
| 1525 | 152508      |    | 40* 40 | □     |       |      |
| 1526 | 152601      | 16 | 25     | 130,2 | 130,0 | 60,7 |
| 1526 | 152602      |    | 30     |       |       |      |
| 1526 | 152603      |    | 35     |       |       |      |
| 1526 | 152604      |    | 40     |       |       |      |
| 1526 | 152606      |    | 25* 25 | □     |       |      |
| 1526 | 152607      |    | 30* 30 | □     |       |      |
| 1526 | 152608      |    | 40* 40 | □     |       |      |
| 1527 | 152701      | 18 | 25     | 146,3 | 146,0 | 68,8 |
| 1527 | 152702      |    | 30     |       |       |      |
| 1527 | 152703      |    | 35     |       |       |      |
| 1527 | 152704      |    | 40     |       |       |      |
| 1527 | 152706      |    | 25* 25 | □     |       |      |
| 1527 | 152707      |    | 30* 30 | □     |       |      |
| 1527 | 152708      |    | 40* 40 | □     |       |      |
| 1528 | 152801      | 20 | 25     | 162,4 | 162,0 | 76,8 |
| 1528 | 152802      |    | 30     |       |       |      |
| 1528 | 152803      |    | 35     |       |       |      |
| 1528 | 152804      |    | 40     |       |       |      |
| 1528 | 152806      |    | 25* 25 | □     |       |      |
| 1528 | 152807      |    | 30* 30 | □     |       |      |
| 1528 | 152808      |    | 40* 40 | □     |       |      |

## Ruota rinvio divisa, stampata

Split idler sprocket, molded / geteiltes Umlenrad, gespritzt



| Part | Article-Nr. | Z- | Bore | PD    | OD    | S    |
|------|-------------|----|------|-------|-------|------|
| 1525 | 152551      | 14 | 25   | 114,1 | 114,0 | 52,7 |
| 1525 | 152552      |    | 30   |       |       |      |
| 1525 | 152553      |    | 35   |       |       |      |
| 1525 | 152554      |    | 40   |       |       |      |
| 1526 | 152651      | 16 | 25   | 130,2 | 130,0 | 60,7 |
| 1526 | 152652      |    | 30   |       |       |      |
| 1526 | 152653      |    | 35   |       |       |      |
| 1526 | 152654      |    | 40   |       |       |      |
| 1527 | 152751      | 18 | 25   | 146,3 | 146,0 | 68,8 |
| 1527 | 152752      |    | 30   |       |       |      |
| 1527 | 152753      |    | 35   |       |       |      |
| 1527 | 152754      |    | 40   |       |       |      |
| 1528 | 152851      | 20 | 25   | 162,4 | 162,0 | 76,8 |
| 1528 | 152852      |    | 30   |       |       |      |
| 1528 | 152853      |    | 35   |       |       |      |
| 1528 | 152854      |    | 40   |       |       |      |



**Materiale / Material / Materialien:**

Poliamide/Polyamide/Polyamid

Viti: Acciaio inox/Screws: Stainless steel/Schrauben: Edelstahl

Dadi: ferro zincato/Nuts: zinc plated steel/Mutter: verzinkter Stahl

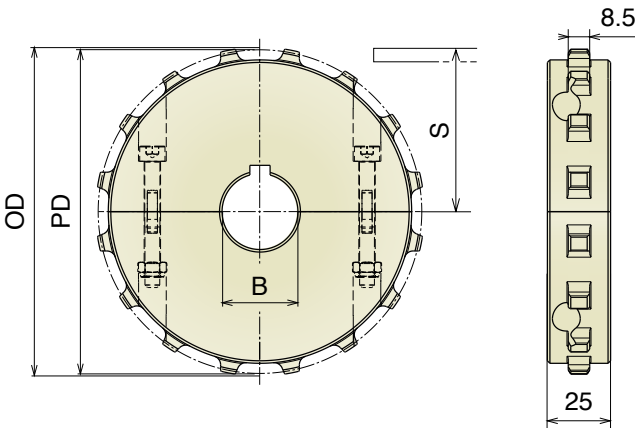
# 550 PRO

Ruote per tappeti / Belt sprockets / Kettenräder für Mattenketten

## 550 PRO

Ruota traino divisa, fresata

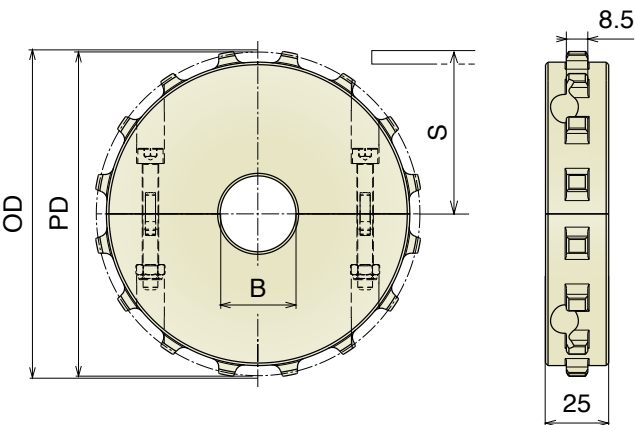
Split drive sprocket, machined / geteiltes Antriebskettenrad, gefräst



| Part | Article-Nr. | Z- | Bore   | PD    | OD    | S    |
|------|-------------|----|--------|-------|-------|------|
| 1640 | 164001      | 14 | 25     | 114,1 | 114,0 | 52,7 |
| 1640 | 164002      |    | 30     |       |       |      |
| 1640 | 164003      |    | 35     |       |       |      |
| 1640 | 164004      |    | 40     |       |       |      |
| 1640 | 164006      |    | 25* 25 | ∇     |       |      |
| 1640 | 164007      |    | 30* 30 | ∇     |       |      |
| 1640 | 164008      |    | 40* 40 | ∇     |       |      |
| 1641 | 164101      | 16 | 25     | 130,2 | 130,0 | 60,7 |
| 1641 | 164102      |    | 30     |       |       |      |
| 1641 | 164103      |    | 35     |       |       |      |
| 1641 | 164104      |    | 40     |       |       |      |
| 1641 | 164106      |    | 25* 25 | ∇     |       |      |
| 1641 | 164107      |    | 30* 30 | ∇     |       |      |
| 1641 | 164108      |    | 40* 40 | ∇     |       |      |
| 1642 | 164201      | 18 | 25     | 146,3 | 146,0 | 68,8 |
| 1642 | 164202      |    | 30     |       |       |      |
| 1642 | 164203      |    | 35     |       |       |      |
| 1642 | 164204      |    | 40     |       |       |      |
| 1642 | 164206      |    | 25* 25 | ∇     |       |      |
| 1642 | 164207      |    | 30* 30 | ∇     |       |      |
| 1642 | 164208      |    | 40* 40 | ∇     |       |      |
| 1643 | 164301      | 20 | 25     | 162,4 | 162,0 | 76,8 |
| 1643 | 164302      |    | 30     |       |       |      |
| 1643 | 164303      |    | 35     |       |       |      |
| 1643 | 164304      |    | 40     |       |       |      |
| 1643 | 164306      |    | 25* 25 | ∇     |       |      |
| 1643 | 164307      |    | 30* 30 | ∇     |       |      |
| 1643 | 164308      |    | 40* 40 | ∇     |       |      |

Ruota rinvio divisa, fresata

Split idler sprocket, machined / geteiltes Umlenrad,, gefräst



| Part | Article-Nr. | Z- | Bore | PD    | OD    | S    |
|------|-------------|----|------|-------|-------|------|
| 1640 | 164050      | 14 | 18*  | 114,1 | 114,0 | 52,7 |
| 1640 | 164051      |    | 25   |       |       |      |
| 1640 | 164052      |    | 30   |       |       |      |
| 1640 | 164053      |    | 35   |       |       |      |
| 1640 | 164054      |    | 40   |       |       |      |
| 1641 | 164150      | 16 | 18*  | 130,2 | 130,0 | 60,7 |
| 1641 | 164151      |    | 25   |       |       |      |
| 1641 | 164152      |    | 30   |       |       |      |
| 1641 | 164153      |    | 35   |       |       |      |
| 1641 | 164154      |    | 40   |       |       |      |
| 1642 | 164250      | 18 | 18*  | 146,3 | 146,0 | 68,8 |
| 1642 | 164251      |    | 25   |       |       |      |
| 1642 | 164252      |    | 30   |       |       |      |
| 1642 | 164253      |    | 35   |       |       |      |
| 1642 | 164254      |    | 40   |       |       |      |
| 1643 | 164350      | 20 | 18*  | 162,4 | 162,0 | 76,8 |
| 1643 | 164351      |    | 25   |       |       |      |
| 1643 | 164352      |    | 30   |       |       |      |
| 1643 | 164353      |    | 35   |       |       |      |
| 1643 | 164354      |    | 40   |       |       |      |

\*Plain Bore

# 550 PRO

Ruote per tappeti / Belt sprockets / Kettenräder für Mattenketten

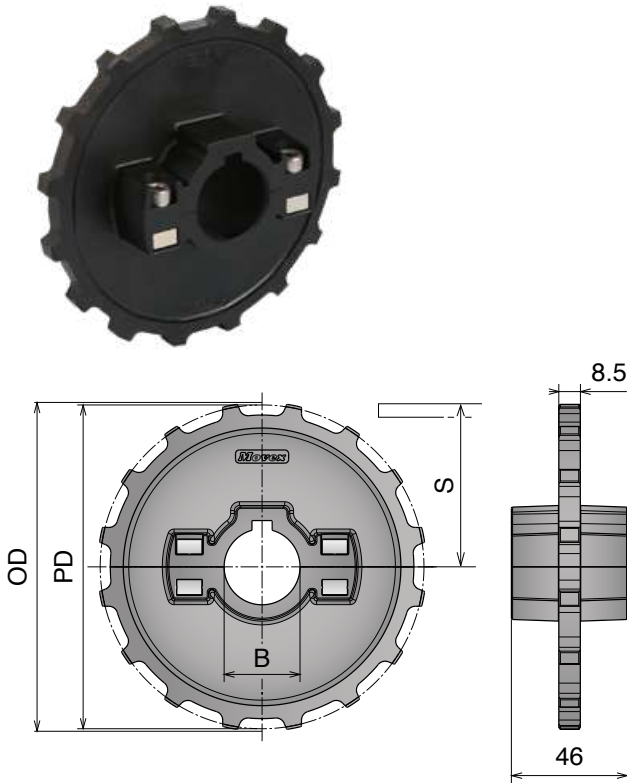
## Materiali / Material / Materialien:

Poliammide rinforzato / Polyamide reinforced / Verstärktes Polyamid  
 Viti: Acciaio inox / Screws: Stainless steel / Schrauben: Edelstahl  
 Dadi: Ottone nichelato / Nuts: Nickel plated brass / Mutter: Messing

## 550 PRO

Ruota traino divisa, stampata

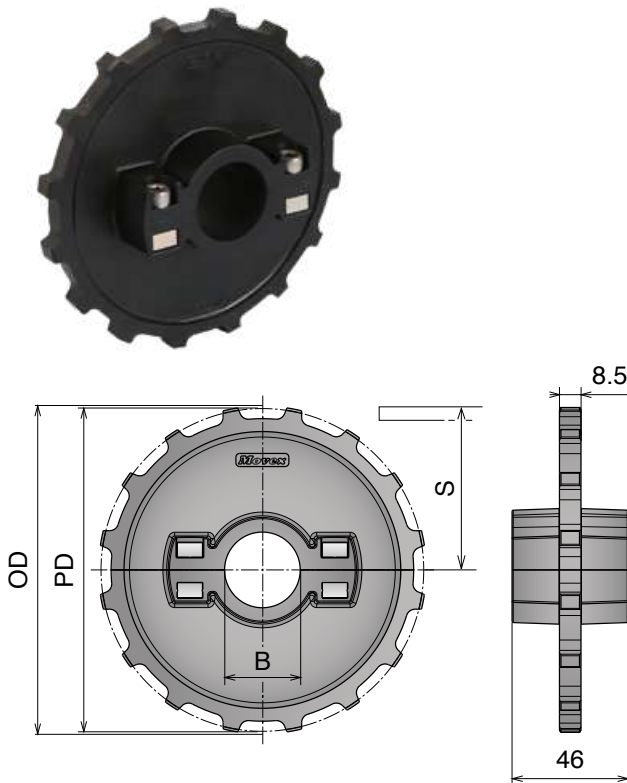
Split drive sprocket, molded / geteiltes Antriebskettenrad, gespritzt



| Part | Article-Nr. | Z- | Bore   | PD    | OD    | S    |
|------|-------------|----|--------|-------|-------|------|
| 1650 | 165001      | 14 | 25     | 114,1 | 114,0 | 52,7 |
| 1650 | 165002      |    | 30     |       |       |      |
| 1650 | 165003      |    | 35     |       |       |      |
| 1650 | 165004      |    | 40     |       |       |      |
| 1650 | 165006      |    | 25* 25 | □     |       |      |
| 1650 | 165007      |    | 30* 30 | □     |       |      |
| 1650 | 165008      |    | 40* 40 | □     |       |      |
| 1651 | 165101      | 16 | 25     | 130,2 | 130,0 | 60,7 |
| 1651 | 165102      |    | 30     |       |       |      |
| 1651 | 165103      |    | 35     |       |       |      |
| 1651 | 165104      |    | 40     |       |       |      |
| 1651 | 165106      |    | 25* 25 | □     |       |      |
| 1651 | 165107      |    | 30* 30 | □     |       |      |
| 1651 | 165108      |    | 40* 40 | □     |       |      |
| 1652 | 165201      | 18 | 25     | 146,3 | 146,0 | 68,8 |
| 1652 | 165202      |    | 30     |       |       |      |
| 1652 | 165203      |    | 35     |       |       |      |
| 1652 | 165204      |    | 40     |       |       |      |
| 1652 | 165206      |    | 25* 25 | □     |       |      |
| 1652 | 165207      |    | 30* 30 | □     |       |      |
| 1652 | 165208      |    | 40* 40 | □     |       |      |
| 1653 | 165301      | 20 | 25     | 162,4 | 162,0 | 76,8 |
| 1653 | 165302      |    | 30     |       |       |      |
| 1653 | 165303      |    | 35     |       |       |      |
| 1653 | 165304      |    | 40     |       |       |      |
| 1653 | 165306      |    | 25* 25 | □     |       |      |
| 1653 | 165307      |    | 30* 30 | □     |       |      |
| 1653 | 165308      |    | 40* 40 | □     |       |      |

Ruota rinvio divisa, stampata

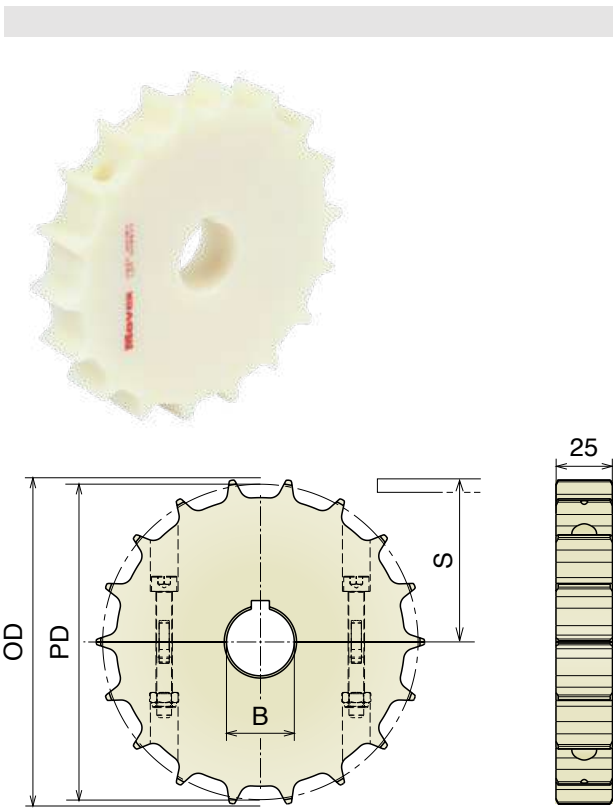
Split idler sprocket, molded / geteiltes Umlenrad, gespritzt



| Part | Article-Nr. | Z- | Bore | PD    | OD    | S    |
|------|-------------|----|------|-------|-------|------|
| 1650 | 165051      | 14 | 25   | 114,1 | 114,0 | 52,7 |
| 1650 | 165052      |    | 30   |       |       |      |
| 1650 | 165053      |    | 35   |       |       |      |
| 1650 | 165054      |    | 40   |       |       |      |
| 1651 | 165151      | 16 | 25   | 130,2 | 130,0 | 60,7 |
| 1651 | 165152      |    | 30   |       |       |      |
| 1651 | 165153      |    | 35   |       |       |      |
| 1651 | 165154      |    | 40   |       |       |      |
| 1652 | 165251      | 18 | 25   | 146,3 | 146,0 | 68,8 |
| 1652 | 165252      |    | 30   |       |       |      |
| 1652 | 165253      |    | 35   |       |       |      |
| 1652 | 165254      |    | 40   |       |       |      |
| 1653 | 165351      | 20 | 25   | 162,4 | 162,0 | 76,8 |
| 1653 | 165352      |    | 30   |       |       |      |
| 1653 | 165353      |    | 35   |       |       |      |
| 1653 | 165354      |    | 40   |       |       |      |

# 551

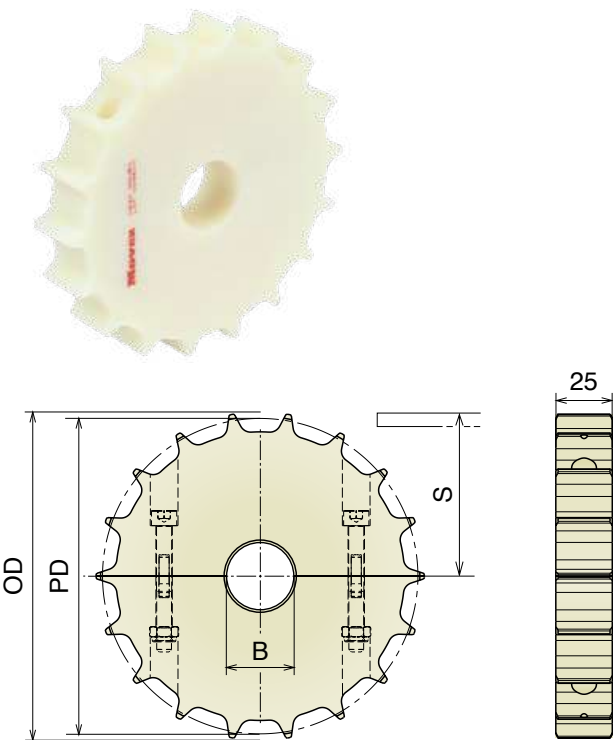
**Ruota traino divisa, fresata**  
**Split drive sprocket, machined / geteiltes Antriebskettenrad, gefräst**



| Part | Article-Nr. | Z- | Bore   | PD    | OD    | S    |
|------|-------------|----|--------|-------|-------|------|
| 1539 | 153901      | 11 | 25     | 90,2  | 92,0  | 39,7 |
| 1539 | 153902      |    | 30     |       |       |      |
| 1539 | 153903E     |    | 35     |       |       |      |
| 1539 | 153904E     |    | 40     |       |       |      |
| 1539 | 153906      |    | 25* 25 | □     |       |      |
| 1539 | 153907      |    | 30* 30 | □     |       |      |
| 1539 | 153908E     |    | 40* 40 | □     |       |      |
| 1531 | 153101      | 14 | 25     | 114,2 | 113,5 | 50,7 |
| 1531 | 153102      |    | 30     |       |       |      |
| 1531 | 153103      |    | 35     |       |       |      |
| 1531 | 153104      |    | 40     |       |       |      |
| 1531 | 153106      |    | 25* 25 | □     |       |      |
| 1531 | 153107      |    | 30* 30 | □     |       |      |
| 1531 | 153108      |    | 40* 40 | □     |       |      |
| 1532 | 153201      | 16 | 25     | 130,2 | 129,0 | 58,7 |
| 1532 | 153202      |    | 30     |       |       |      |
| 1532 | 153203      |    | 35     |       |       |      |
| 1532 | 153204      |    | 40     |       |       |      |
| 1532 | 153206      |    | 25* 25 | □     |       |      |
| 1532 | 153207      |    | 30* 30 | □     |       |      |
| 1532 | 153208      |    | 40* 40 | □     |       |      |
| 1533 | 153301      | 18 | 25     | 146,3 | 145,3 | 66,7 |
| 1533 | 153302      |    | 30     |       |       |      |
| 1533 | 153303      |    | 35     |       |       |      |
| 1533 | 153304      |    | 40     |       |       |      |
| 1533 | 153306      |    | 25* 25 | □     |       |      |
| 1533 | 153307      |    | 30* 30 | □     |       |      |
| 1533 | 153308      |    | 40* 40 | □     |       |      |
| 1534 | 153401      | 20 | 25     | 162,4 | 161,7 | 74,8 |
| 1534 | 153402      |    | 30     |       |       |      |
| 1534 | 153403      |    | 35     |       |       |      |
| 1534 | 153404      |    | 40     |       |       |      |
| 1534 | 153406      |    | 25* 25 | □     |       |      |
| 1534 | 153407      |    | 30* 30 | □     |       |      |
| 1534 | 153408      |    | 40* 40 | □     |       |      |
| 1634 | 163401      | 21 | 25     | 170,4 | 169,7 | 78,9 |
| 1634 | 163402      |    | 30     |       |       |      |
| 1634 | 163403      |    | 35     |       |       |      |
| 1634 | 163404      |    | 40     |       |       |      |
| 1634 | 163406      |    | 25* 25 | □     |       |      |
| 1634 | 163407      |    | 30* 30 | □     |       |      |
| 1634 | 163408      |    | 40* 40 | □     |       |      |

# Ruota rinvio divisa, fresata

**Split idler sprocket, machined / geteiltes Umlenrad, gefräst**



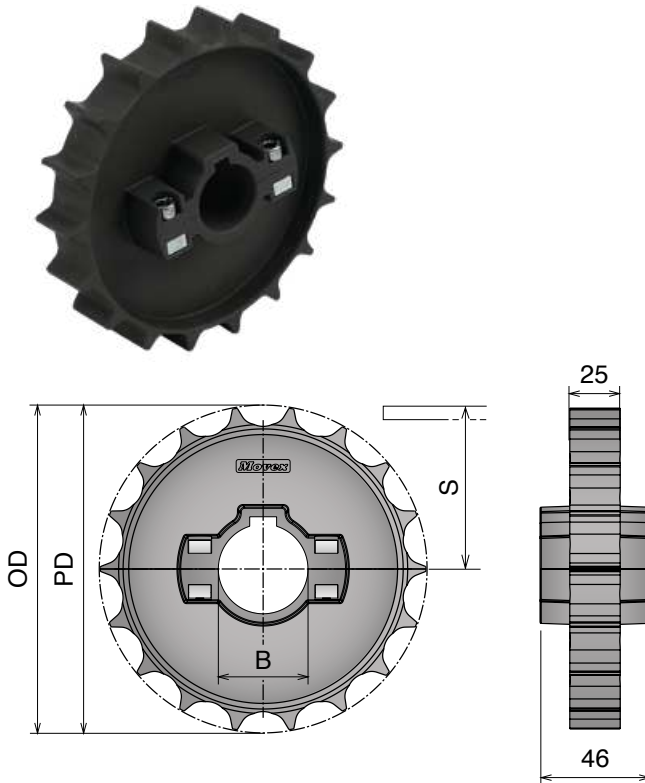
| Part | Article-Nr. | Z- | Bore | PD    | OD    | S    |
|------|-------------|----|------|-------|-------|------|
| 1539 | 153950      | 11 | 18*  | 90,2  | 92,0  | 39,7 |
| 1539 | 153951      |    | 25   |       |       |      |
| 1539 | 153952      |    | 30   |       |       |      |
| 1539 | 153953E     |    | 35   |       |       |      |
| 1539 | 153954E     |    | 40   |       |       |      |
| 1531 | 153150      | 14 | 18*  | 114,2 | 114,0 | 50,7 |
| 1531 | 153151      |    | 25   |       |       |      |
| 1531 | 153152      |    | 30   |       |       |      |
| 1531 | 153153      |    | 35   |       |       |      |
| 1531 | 153154      |    | 40   |       |       |      |
| 1532 | 153250      | 16 | 18*  | 130,2 | 129,0 | 58,7 |
| 1532 | 153251      |    | 25   |       |       |      |
| 1532 | 153252      |    | 30   |       |       |      |
| 1532 | 153253      |    | 35   |       |       |      |
| 1532 | 153254      |    | 40   |       |       |      |
| 1533 | 153350      | 18 | 18*  | 146,3 | 145,3 | 66,7 |
| 1533 | 153351      |    | 25   |       |       |      |
| 1533 | 153352      |    | 30   |       |       |      |
| 1533 | 153353      |    | 35   |       |       |      |
| 1533 | 153354      |    | 40   |       |       |      |
| 1534 | 153450      | 20 | 18*  | 162,4 | 161,7 | 74,8 |
| 1534 | 153451      |    | 25   |       |       |      |
| 1534 | 153452      |    | 30   |       |       |      |
| 1534 | 153453      |    | 35   |       |       |      |
| 1534 | 153454      |    | 40   |       |       |      |
| 1634 | 163450      | 21 | 18*  | 170,4 | 169,7 | 78,9 |
| 1634 | 163451      |    | 25   |       |       |      |
| 1634 | 163452      |    | 30   |       |       |      |
| 1634 | 163453      |    | 35   |       |       |      |
| 1634 | 163454      |    | 40   |       |       |      |

\*Plain Bore

## 551

## Ruota traino divisa, stampata

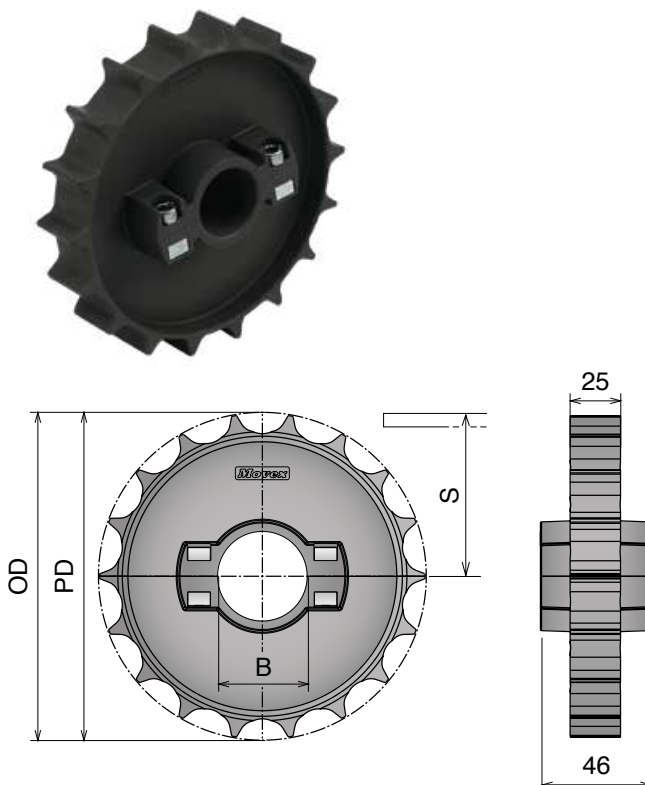
## Split drive sprocket, molded / geteiltes Antriebskettenrad, gespritzt

Delivery: **Easy** **Standard**

| Part | Article-Nr. | Z- | Bore   | PD    | OD    | S    |
|------|-------------|----|--------|-------|-------|------|
| 1535 | 153501      | 14 | 25     | 114,2 | 113,5 | 50,7 |
| 1535 | 153502      |    | 30     |       |       |      |
| 1535 | 153503      |    | 35     |       |       |      |
| 1535 | 153504      |    | 40     |       |       |      |
| 1535 | 153506      |    | 25* 25 | □     |       |      |
| 1535 | 153507      |    | 30* 30 | □     |       |      |
| 1535 | 153508      |    | 40* 40 | □     |       |      |
| 1536 | 153601      | 16 | 25     | 130,2 | 129,0 | 58,7 |
| 1536 | 153602      |    | 30     |       |       |      |
| 1536 | 153603      |    | 35     |       |       |      |
| 1536 | 153604      |    | 40     |       |       |      |
| 1536 | 153606      |    | 25* 25 | □     |       |      |
| 1536 | 153607      |    | 30* 30 | □     |       |      |
| 1536 | 153608      |    | 40* 40 | □     |       |      |
| 1537 | 153701      | 18 | 25     | 146,3 | 145,3 | 66,7 |
| 1537 | 153702      |    | 30     |       |       |      |
| 1537 | 153703      |    | 35     |       |       |      |
| 1537 | 153704      |    | 40     |       |       |      |
| 1537 | 153706      |    | 25* 25 | □     |       |      |
| 1537 | 153707      |    | 30* 30 | □     |       |      |
| 1537 | 153708      |    | 40* 40 | □     |       |      |
| 1538 | 153801      | 20 | 25     | 162,4 | 161,7 | 74,8 |
| 1538 | 153802      |    | 30     |       |       |      |
| 1538 | 153803      |    | 35     |       |       |      |
| 1538 | 153804      |    | 40     |       |       |      |
| 1538 | 153806      |    | 25* 25 | □     |       |      |
| 1538 | 153807      |    | 30* 30 | □     |       |      |
| 1538 | 153808      |    | 40* 40 | □     |       |      |

## Ruota rinvio divisa, stampata

## Split idler sprocket, molded / geteiltes Umlenkrad, gespritzt



| Part | Article-Nr. | Z- | Bore | PD    | OD    | S    |
|------|-------------|----|------|-------|-------|------|
| 1535 | 153551      | 14 | 25   | 114,2 | 113,5 | 50,7 |
| 1535 | 153552      |    | 30   |       |       |      |
| 1535 | 153553      |    | 35   |       |       |      |
| 1535 | 153554      |    | 40   |       |       |      |
| 1536 | 153651      | 16 | 25   | 130,2 | 129,0 | 58,7 |
| 1536 | 153652      |    | 30   |       |       |      |
| 1536 | 153653      |    | 35   |       |       |      |
| 1536 | 153654      |    | 40   |       |       |      |
| 1537 | 153751      | 18 | 25   | 146,3 | 145,3 | 66,7 |
| 1537 | 153752      |    | 30   |       |       |      |
| 1537 | 153753      |    | 35   |       |       |      |
| 1537 | 153754      |    | 40   |       |       |      |
| 1538 | 153851      | 20 | 25   | 162,4 | 161,7 | 74,8 |
| 1538 | 153852      |    | 30   |       |       |      |
| 1538 | 153853      |    | 35   |       |       |      |
| 1538 | 153854      |    | 40   |       |       |      |

**Materiale / Material / Materialien:**

Poliamide/Polyamide/Polyamid

Viti: Acciaio inox/Screws: Stainless steel/Schrauben: Edelstahl

Dadi: ferro zincato/Nuts: zinc plated steel/Mutter: verzinkter Stahl

## 552 Ruota traino divisa, fresata Split drive sprocket, machined / geteiltes Antriebskettenrad, gefräst

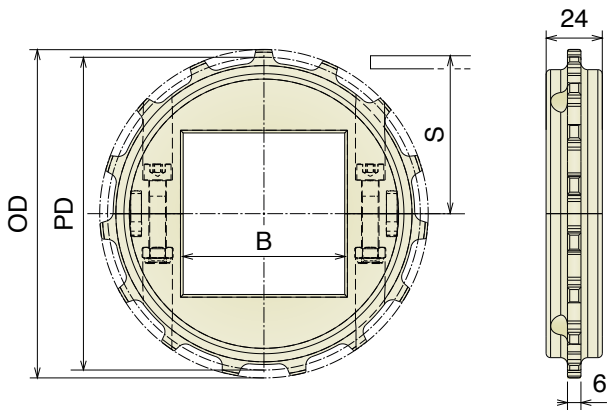
| Part | Article-Nr. | Z- | Bore   | PD    | OD    | S    |
|------|-------------|----|--------|-------|-------|------|
| 1611 | 161101      | 16 | 25     | 130,2 | 130,6 | 58,7 |
| 1611 | 161102      |    | 30     |       |       |      |
| 1611 | 161103      |    | 35     |       |       |      |
| 1611 | 161104      |    | 40     |       |       |      |
| 1611 | 161106      |    | 25* 25 | □     |       |      |
| 1611 | 161107      |    | 30* 30 | □     |       |      |
| 1611 | 161108      |    | 40* 40 | □     |       |      |
| 1612 | 161201      | 18 | 25     | 146,3 | 146,9 | 66,8 |
| 1612 | 161202      |    | 30     |       |       |      |
| 1612 | 161203      |    | 35     |       |       |      |
| 1612 | 161204      |    | 40     |       |       |      |
| 1612 | 161206      |    | 25* 25 | □     |       |      |
| 1612 | 161207      |    | 30* 30 | □     |       |      |
| 1612 | 161208      |    | 40* 40 | □     |       |      |
| 1613 | 161301      | 21 | 25     | 170,4 | 170,7 | 78,8 |
| 1613 | 161302      |    | 30     |       |       |      |
| 1613 | 161303      |    | 35     |       |       |      |
| 1613 | 161304      |    | 40     |       |       |      |
| 1613 | 161306      |    | 25* 25 | □     |       |      |
| 1613 | 161307      |    | 30* 30 | □     |       |      |
| 1613 | 161308      |    | 40* 40 | □     |       |      |
| 1614 | 161401      | 25 | 25     | 202,7 | 204,2 | 95,0 |
| 1614 | 161402      |    | 30     |       |       |      |
| 1614 | 161403      |    | 35     |       |       |      |
| 1614 | 161404      |    | 40     |       |       |      |
| 1614 | 161406      |    | 25* 25 | □     |       |      |
| 1614 | 161407      |    | 30* 30 | □     |       |      |
| 1614 | 161408      |    | 40* 40 | □     |       |      |

## Ruota rinvio divisa, fresata Split idler sprocket, machined / geteiltes Umlenrad, gefräst

| Part | Article-Nr. | Z- | Bore | PD    | OD    | S    |
|------|-------------|----|------|-------|-------|------|
| 1611 | 161150      | 16 | 18*  | 130,2 | 130,6 | 58,7 |
| 1611 | 161151      |    | 25   |       |       |      |
| 1611 | 161152      |    | 30   |       |       |      |
| 1611 | 161153      |    | 35   |       |       |      |
| 1611 | 161154      |    | 40   |       |       |      |
| 1612 | 161250      | 18 | 18*  | 146,3 | 146,9 | 66,8 |
| 1612 | 161251      |    | 25   |       |       |      |
| 1612 | 161252      |    | 30   |       |       |      |
| 1612 | 161253      |    | 35   |       |       |      |
| 1612 | 161254      |    | 40   |       |       |      |
| 1613 | 161350      | 21 | 18*  | 170,4 | 170,7 | 78,8 |
| 1613 | 161351      |    | 25   |       |       |      |
| 1613 | 161352      |    | 30   |       |       |      |
| 1613 | 161353      |    | 35   |       |       |      |
| 1613 | 161354      |    | 40   |       |       |      |
| 1614 | 161450      | 25 | 18*  | 202,7 | 204,2 | 95,0 |
| 1614 | 161451      |    | 25   |       |       |      |
| 1614 | 161452      |    | 30   |       |       |      |
| 1614 | 161453      |    | 35   |       |       |      |
| 1614 | 161454      |    | 40   |       |       |      |

**NEW 553**

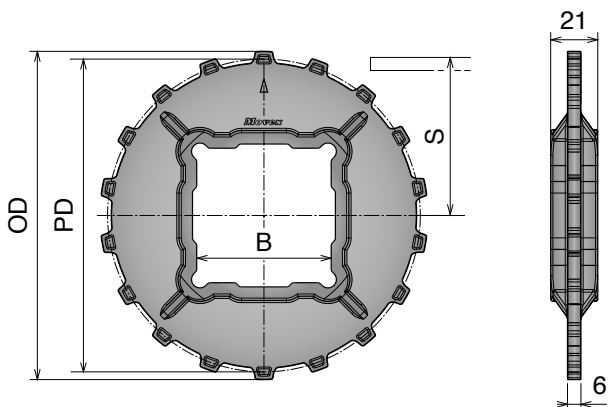
Ruota traino divisa, fresata  
 Split drive sprocket, machined / geteiltes Antriebskettenrad, gefräst



| Part | Article-Nr. | Z- | Bore  | PD    | OD    | S    |
|------|-------------|----|-------|-------|-------|------|
| 1661 | 166108      | 12 | 40x40 | 98,1  | 97,6  | 44,5 |
| 1662 | 166208      | 15 | 40x40 | 122,2 | 121,9 | 56,5 |
| 1662 | 166210      |    | 60x60 |       |       |      |
| 1663 | 166308      | 18 | 40x40 | 146,3 | 146,0 | 68,5 |
| 1663 | 166310      |    | 60x60 |       |       |      |
| 1663 | 166311      |    | 65x65 |       |       |      |

**NEW 553**

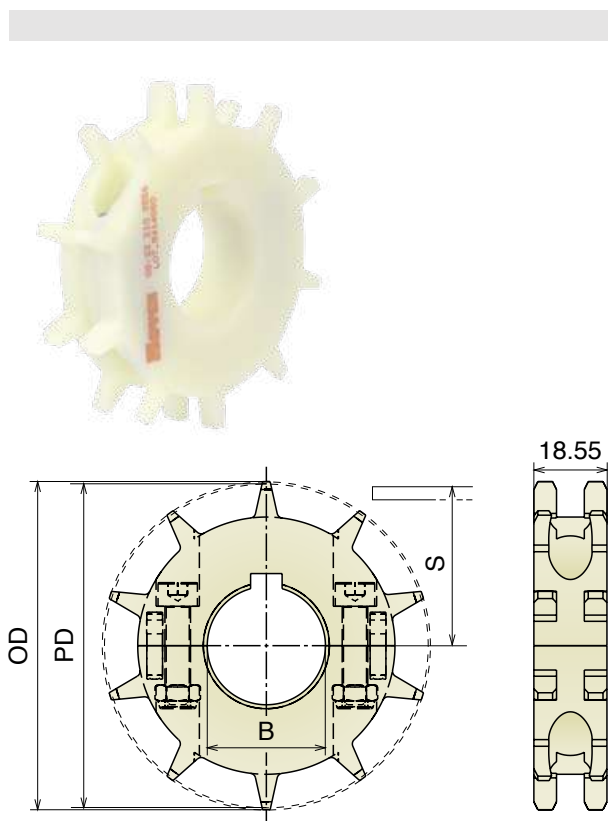
Ruota traino, stampata  
 drive sprocket, molded / Antriebskettenrad, gespritzt



| Part | Article-Nr. | Z- | Bore  | PD    | OD    | S    |
|------|-------------|----|-------|-------|-------|------|
| 1665 | 166511      | 18 | 40x40 | 146,3 | 146,0 | 68,5 |
| 1665 | 166510      |    | 60x60 |       |       |      |

# 556 Ruota traino divisa, fresata

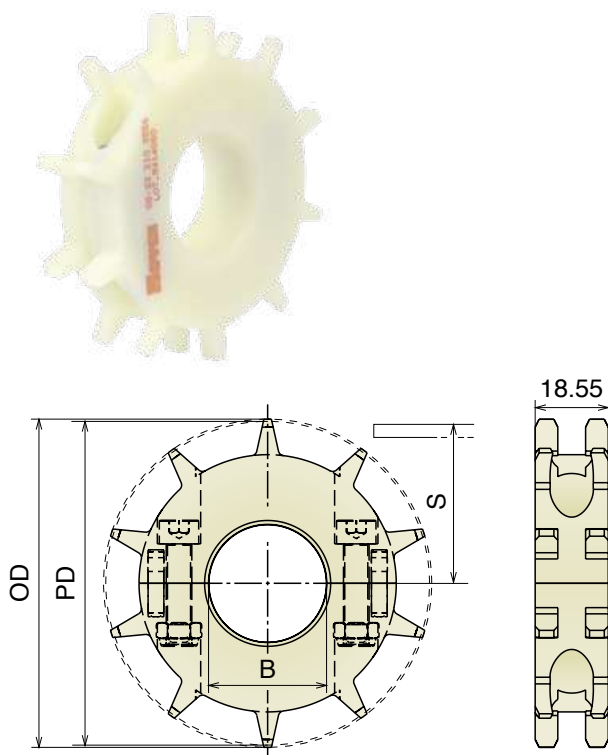
Split drive sprocket, machined / geteiltes Antriebskettenrad, gefräst



| Part | Article-Nr. | Z- | Bore   | PD    | OD    | S    |
|------|-------------|----|--------|-------|-------|------|
| 1620 | 162001      | 10 | 25     | 82,2  | 83,3  | 33,0 |
| 1620 | 162002      |    | 30     |       |       |      |
| 1620 | 162003E     |    | 35     |       |       |      |
| 1620 | 162004E     |    | 40     |       |       |      |
| 1620 | 162006      |    | 25* 25 | □     |       |      |
| 1620 | 162007      |    | 30* 30 | □     |       |      |
| 1620 | 162008E     |    | 40* 40 | □     |       |      |
| 1621 | 162101      | 12 | 25     | 98,1  | 100,0 | 41,0 |
| 1621 | 162102      |    | 30     |       |       |      |
| 1621 | 162103      |    | 35     |       |       |      |
| 1621 | 162104      |    | 40     |       |       |      |
| 1621 | 162106      |    | 25* 25 | □     |       |      |
| 1621 | 162107      |    | 30* 30 | □     |       |      |
| 1621 | 162108E     |    | 40* 40 | □     |       |      |
| 1622 | 162201      | 15 | 25     | 122,2 | 124,3 | 53,0 |
| 1622 | 162202      |    | 30     |       |       |      |
| 1622 | 162203      |    | 35     |       |       |      |
| 1622 | 162204      |    | 40     |       |       |      |
| 1622 | 162206      |    | 25* 25 | □     |       |      |
| 1622 | 162207      |    | 30* 30 | □     |       |      |
| 1622 | 162208      |    | 40* 40 | □     |       |      |
| 1623 | 162301      | 18 | 25     | 146,3 | 147,8 | 65,0 |
| 1623 | 162302      |    | 30     |       |       |      |
| 1623 | 162303      |    | 35     |       |       |      |
| 1623 | 162304      |    | 40     |       |       |      |
| 1623 | 162306      |    | 25* 25 | □     |       |      |
| 1623 | 162307      |    | 30* 30 | □     |       |      |
| 1623 | 162308      |    | 40* 40 | □     |       |      |

# Ruota rinvio divisa, fresata

Split idler sprocket, machined / geteiltes Umlenkrad, gefräst



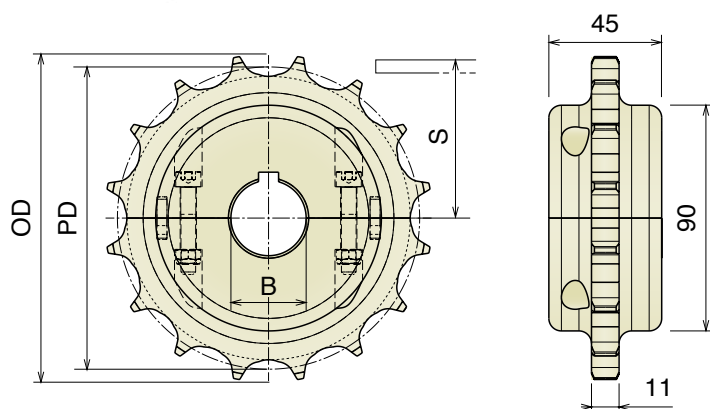
| Part | Article-Nr. | Z- | Bore | PD    | OD    | S    |
|------|-------------|----|------|-------|-------|------|
| 1620 | 162050      | 10 | 18*  | 82,2  | 83,3  | 33,0 |
| 1620 | 162051      |    | 25   |       |       |      |
| 1620 | 162052      |    | 30   |       |       |      |
| 1620 | 162053E     |    | 35   |       |       |      |
| 1620 | 162054E     |    | 40   |       |       |      |
| 1621 | 162150      | 12 | 18*  | 98,1  | 100,0 | 41,0 |
| 1621 | 162151      |    | 25   |       |       |      |
| 1621 | 162152      |    | 30   |       |       |      |
| 1621 | 162153      |    | 35   |       |       |      |
| 1621 | 162154      |    | 40   |       |       |      |
| 1622 | 162250      | 15 | 18*  | 122,2 | 124,3 | 53,0 |
| 1622 | 162251      |    | 25   |       |       |      |
| 1622 | 162252      |    | 30   |       |       |      |
| 1622 | 162253      |    | 35   |       |       |      |
| 1622 | 162254      |    | 40   |       |       |      |
| 1623 | 162350      | 18 | 18*  | 146,3 | 147,8 | 65,0 |
| 1623 | 162351      |    | 25   |       |       |      |
| 1623 | 162352      |    | 30   |       |       |      |
| 1623 | 162353      |    | 35   |       |       |      |
| 1623 | 162354      |    | 40   |       |       |      |

## 260-261

Ruota traino divisa, fresata

Split drive sprocket, machined / geteiltes Antriebskettenrad, gefräst

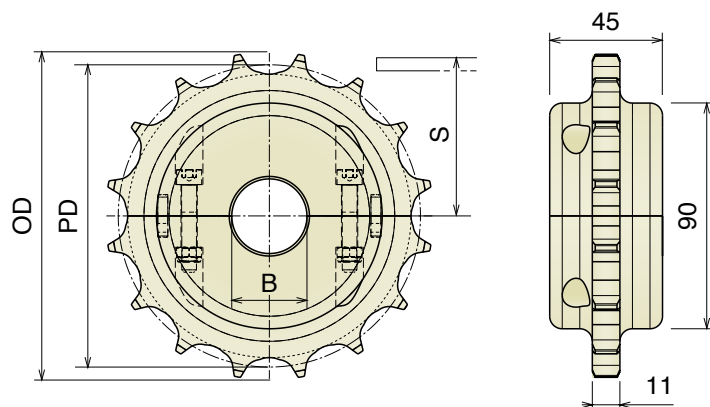
Delivery: **Easy** **Standard**



| Part | Article-Nr. | Z- | Bore | PD    | OD    | S    |
|------|-------------|----|------|-------|-------|------|
| 1541 | 154101      | 16 | 25   | 128,9 | 130,9 | 67,8 |
| 1541 | 154102      |    | 30   |       |       |      |
| 1541 | 154103      |    | 35   |       |       |      |
| 1541 | 154104      |    | 40   |       |       |      |
| 1542 | 154201      | 18 | 25   | 144,8 | 146,8 | 75,7 |
| 1542 | 154202      |    | 30   |       |       |      |
| 1542 | 154203      |    | 35   |       |       |      |
| 1542 | 154204      |    | 40   |       |       |      |
| 1543 | 154301      | 19 | 25   | 154,3 | 156,3 | 80,5 |
| 1543 | 154302      |    | 30   |       |       |      |
| 1543 | 154303      |    | 35   |       |       |      |
| 1543 | 154304      |    | 40   |       |       |      |

Ruota rinvio divisa, fresata

Split idler sprocket, machined / geteiltes Umlenrad, gefräst



| Part | Article-Nr. | Z- | Bore | PD    | OD    | S    |
|------|-------------|----|------|-------|-------|------|
| 1541 | 154150      | 16 | 18*  | 128,9 | 130,9 | 67,8 |
| 1541 | 154151      |    | 25   |       |       |      |
| 1541 | 154152      |    | 30   |       |       |      |
| 1541 | 154153      |    | 35   |       |       |      |
| 1541 | 154154      |    | 40   |       |       |      |
| 1542 | 154250      | 18 | 18*  | 144,8 | 146,8 | 75,7 |
| 1542 | 154251      |    | 25   |       |       |      |
| 1542 | 154252      |    | 30   |       |       |      |
| 1542 | 154253      |    | 35   |       |       |      |
| 1542 | 154254      |    | 40   |       |       |      |
| 1543 | 154350      | 19 | 18*  | 154,3 | 156,3 | 80,5 |
| 1543 | 154351      |    | 25   |       |       |      |
| 1543 | 154352      |    | 30   |       |       |      |
| 1543 | 154353      |    | 35   |       |       |      |
| 1543 | 154354      |    | 40   |       |       |      |

\*Plain Bore



**Materiale / Material / Materialien:**

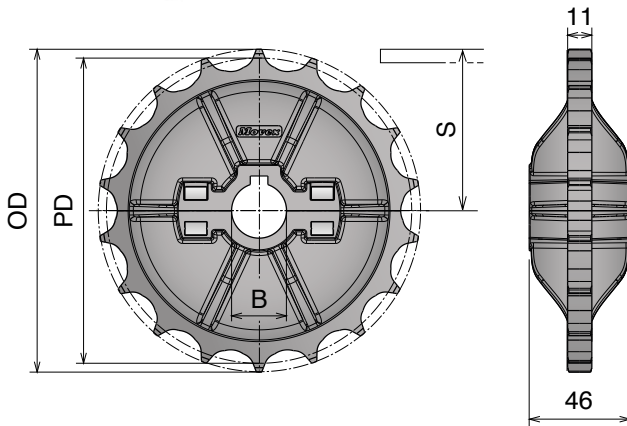
Poliammide rinforzato/Polyamide reinforced/Verstärktes Polyamid  
 Viti: Acciaio inox/Screws: Stainless steel/Schrauben: Edelstahl  
 Dadi: Ottone nichelato/Nuts: Nickel plated brass/Mutter: Messing

## 260-261

### Ruota traino divisa, stampata

### Split drive sprocket, molded / geteiltes Antriebskettenrad, gespritzt

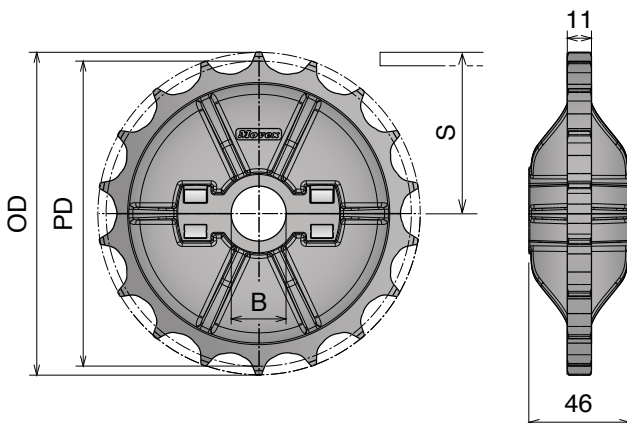
Delivery: **Easy** **Standard**



| Part | Article-Nr. | Z- | Bore   | PD    | OD    | S    |
|------|-------------|----|--------|-------|-------|------|
| 1545 | 154501      | 16 | 25     | 128,9 | 130,9 | 67,8 |
| 1545 | 154502      |    | 30     |       |       |      |
| 1545 | 154503      |    | 35     |       |       |      |
| 1545 | 154504      |    | 40     |       |       |      |
| 1545 | 154506      |    | 25* 25 | □     |       |      |
| 1545 | 154507      |    | 30* 30 | □     |       |      |
| 1545 | 154508      |    | 40* 40 | □     |       |      |
| 1546 | 154601      | 18 | 25     | 144,8 | 146,8 | 75,7 |
| 1546 | 154602      |    | 30     |       |       |      |
| 1546 | 154603      |    | 35     |       |       |      |
| 1546 | 154604      |    | 40     |       |       |      |
| 1546 | 154606      |    | 25* 25 | □     |       |      |
| 1546 | 154607      |    | 30* 30 | □     |       |      |
| 1546 | 154608      |    | 40* 40 | □     |       |      |
| 1547 | 154701      | 19 | 25     | 154,3 | 156,3 | 80,5 |
| 1547 | 154702      |    | 30     |       |       |      |
| 1547 | 154703      |    | 35     |       |       |      |
| 1547 | 154704      |    | 40     |       |       |      |
| 1547 | 154706      |    | 25* 25 | □     |       |      |
| 1547 | 154707      |    | 30* 30 | □     |       |      |
| 1547 | 154708      |    | 40* 40 | □     |       |      |

### Ruota rinvio divisa, stampata

### Split idler sprocket, molded / geteiltes Umlenkrad, gespritzt

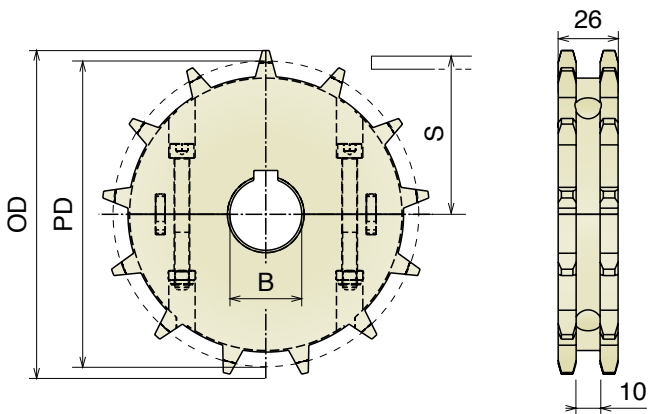
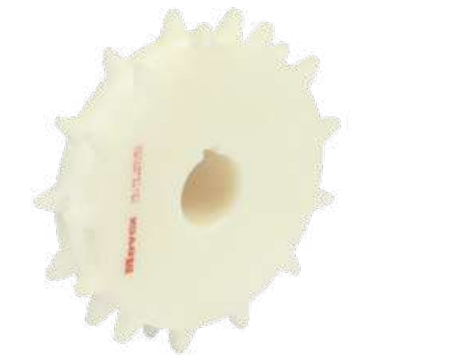


| Part | Article-Nr. | Z- | Bore | PD    | OD    | S    |
|------|-------------|----|------|-------|-------|------|
| 1545 | 154551      | 16 | 25   | 128,9 | 130,9 | 67,8 |
| 1545 | 154552      |    | 30   |       |       |      |
| 1545 | 154553      |    | 35   |       |       |      |
| 1545 | 154554      |    | 40   |       |       |      |
| 1546 | 154651      | 18 | 25   | 144,8 | 146,8 | 75,7 |
| 1546 | 154652      |    | 30   |       |       |      |
| 1546 | 154653      |    | 35   |       |       |      |
| 1546 | 154654      |    | 40   |       |       |      |
| 1547 | 154751      | 19 | 25   | 154,3 | 156,3 | 80,5 |
| 1547 | 154752      |    | 30   |       |       |      |
| 1547 | 154753      |    | 35   |       |       |      |
| 1547 | 154754      |    | 40   |       |       |      |

## 600

## Ruota traino divisa, fresata

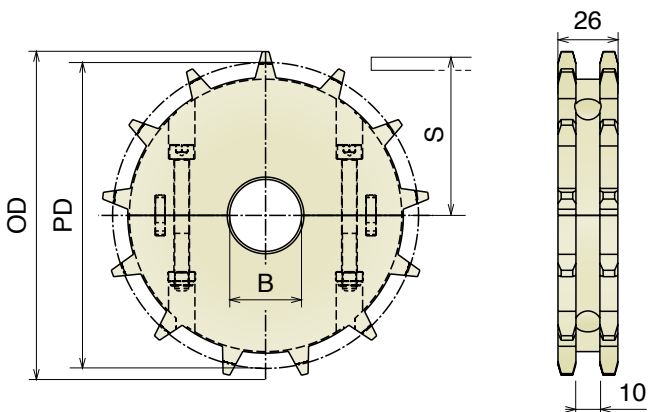
## Split drive sprocket, machined / geteiltes Antriebskettenrad, gefräst



| Part | Article-Nr. | Z- | Bore | PD    | OD    | S    |
|------|-------------|----|------|-------|-------|------|
| 1571 | 157101      | 10 | 25   | 102,8 | 107,7 | 45,0 |
| 1571 | 157102      |    | 30   |       |       |      |
| 1571 | 157103      |    | 35   |       |       |      |
| 1571 | 157104      |    | 40   |       |       |      |
| 1572 | 157201      | 13 | 25   | 132,7 | 138,8 | 60,0 |
| 1572 | 157202      |    | 30   |       |       |      |
| 1572 | 157203      |    | 35   |       |       |      |
| 1572 | 157204      |    | 40   |       |       |      |
| 1573 | 157301      | 15 | 25   | 152,7 | 159,4 | 70,0 |
| 1573 | 157302      |    | 30   |       |       |      |
| 1573 | 157303      |    | 35   |       |       |      |
| 1573 | 157304      |    | 40   |       |       |      |
| 1574 | 157401      | 16 | 25   | 162,8 | 169,6 | 75,0 |
| 1574 | 157402      |    | 30   |       |       |      |
| 1574 | 157403      |    | 35   |       |       |      |
| 1574 | 157404      |    | 40   |       |       |      |

## Ruota rinvio divisa, fresata

## Split idler sprocket, machined / geteiltes Umlenrad, gefräst



| Part | Article-Nr. | Z- | Bore | PD    | OD    | S    |
|------|-------------|----|------|-------|-------|------|
| 1571 | 157150      | 10 | 18*  | 102,8 | 107,7 | 45,0 |
| 1571 | 157151      |    | 25   |       |       |      |
| 1571 | 157152      |    | 30   |       |       |      |
| 1571 | 157153      |    | 35   |       |       |      |
| 1571 | 157154      |    | 40   |       |       |      |
| 1572 | 157250      | 13 | 18*  | 132,7 | 138,8 | 60,0 |
| 1572 | 157251      |    | 25   |       |       |      |
| 1572 | 157252      |    | 30   |       |       |      |
| 1572 | 157253      |    | 35   |       |       |      |
| 1572 | 157254      |    | 40   |       |       |      |
| 1573 | 157350      | 15 | 18*  | 152,7 | 159,4 | 70,0 |
| 1573 | 157351      |    | 25   |       |       |      |
| 1573 | 157352      |    | 30   |       |       |      |
| 1573 | 157353      |    | 35   |       |       |      |
| 1573 | 157354      |    | 40   |       |       |      |
| 1574 | 157450      | 16 | 18*  | 162,8 | 169,6 | 75,0 |
| 1574 | 157451      |    | 25   |       |       |      |
| 1574 | 157452      |    | 30   |       |       |      |
| 1574 | 157453      |    | 35   |       |       |      |
| 1574 | 157454      |    | 40   |       |       |      |

\*Plain Bore

**Materiale / Material / Materialien:**

Poliamide/Polyamide/Polyamid

Viti: Acciaio inox/Screws: Stainless steel/Schrauben: Edelstahl

Dadi: ferro zincato/Nuts: zinc plated steel/Mutter: verzinkter stahl

# 600 Support sprocket/Split support roller

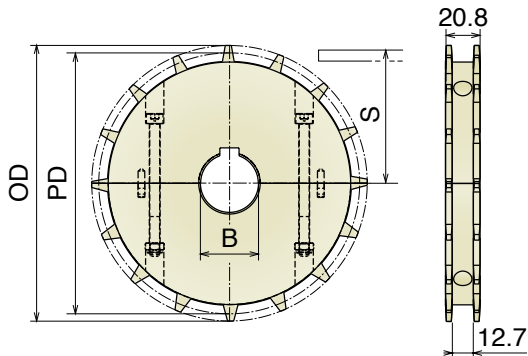
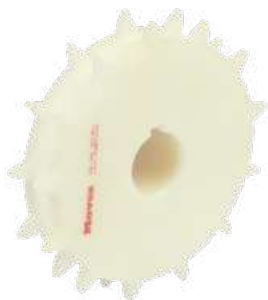
Ruote per tappeti / Belt sprockets / Kettenräder für Mattenketten

## 600 Support sprocket

Ruota traino divisa, fresata

Split drive sprocket, machined / geteiltes Antriebskettenrad gefräst

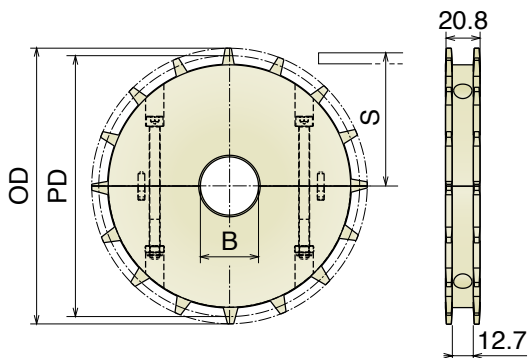
Designed to support Small radius section



| Article-Nr. | Z- | Bore | PD    | OD    | S    |
|-------------|----|------|-------|-------|------|
| 157101SR    | 10 | 25   | 102,8 | 107,7 | 45,0 |
| 157102SR    |    | 30   |       |       |      |
| 157103SR    |    | 35   |       |       |      |
| 157104SR    |    | 40   |       |       |      |
| 157201SR    | 13 | 25   | 132,7 | 138,8 | 60,0 |
| 157202SR    |    | 30   |       |       |      |
| 157203SR    |    | 35   |       |       |      |
| 157204SR    |    | 40   |       |       |      |
| 157301SR    | 15 | 25   | 152,7 | 159,4 | 70,0 |
| 157302SR    |    | 30   |       |       |      |
| 157303SR    |    | 35   |       |       |      |
| 157304SR    |    | 40   |       |       |      |
| 157401SR    | 16 | 25   | 162,8 | 169,6 | 75,0 |
| 157402SR    |    | 30   |       |       |      |
| 157403SR    |    | 35   |       |       |      |
| 157404SR    |    | 40   |       |       |      |

Ruota rinvio divisa, fresata

Split idler sprocket, machined / geteiltes Umlenkrad, gefräst



| Article-Nr. | Z- | Bore | PD    | OD    | S    |
|-------------|----|------|-------|-------|------|
| 157150SR    | 10 | 18*  | 102,8 | 107,7 | 45,0 |
| 157151SR    |    | 25   |       |       |      |
| 157152SR    |    | 30   |       |       |      |
| 157153SR    |    | 35   |       |       |      |
| 157154SR    |    | 40   |       |       |      |
| 157250SR    | 13 | 18*  | 132,7 | 138,8 | 60,0 |
| 157251SR    |    | 25   |       |       |      |
| 157252SR    |    | 30   |       |       |      |
| 157253SR    |    | 35   |       |       |      |
| 157254SR    |    | 40   |       |       |      |
| 157350SR    | 15 | 18*  | 152,7 | 159,4 | 70,0 |
| 157351SR    |    | 25   |       |       |      |
| 157352SR    |    | 30   |       |       |      |
| 157353SR    |    | 35   |       |       |      |
| 157354SR    |    | 40   |       |       |      |
| 157450SR    | 16 | 18*  | 162,8 | 169,6 | 75,0 |
| 157451SR    |    | 25   |       |       |      |
| 157452SR    |    | 30   |       |       |      |
| 157453SR    |    | 35   |       |       |      |
| 157454SR    |    | 40   |       |       |      |

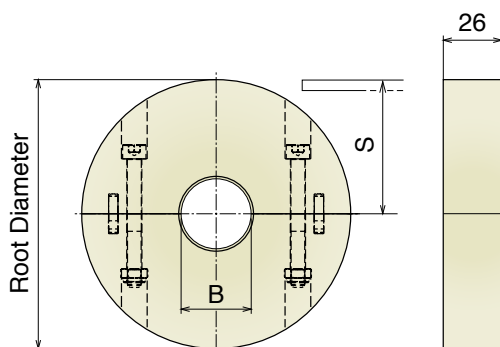
\*Plain Bore

## 600 Split support roller

Ruota rinvio liscia, divisa, fresata

Split idler wheel, machined / geteilte Umlenkrolle, gefräst

Designed to support Small radius section



| Article-Nr. | Z- eq. | Bore | Root Ø | S    |
|-------------|--------|------|--------|------|
| 157150R     | 10     | 18*  | 85,1   | 45,0 |
| 157151R     |        | 25   |        |      |
| 157152R     |        | 30   |        |      |
| 157153R     |        | 35   |        |      |
| 157154R     |        | 40   |        |      |
| 157250R     | 13     | 18*  | 115,0  | 60,0 |
| 157251R     |        | 25   |        |      |
| 157252R     |        | 30   |        |      |
| 157253R     |        | 35   |        |      |
| 157254R     |        | 40   |        |      |
| 157350R     | 15     | 18*  | 134,3  | 70,0 |
| 157351R     |        | 25   |        |      |
| 157352R     |        | 30   |        |      |
| 157353R     |        | 35   |        |      |
| 157354R     |        | 40   |        |      |
| 157450R     | 16     | 18*  | 146,8  | 75,0 |
| 157451R     |        | 25   |        |      |
| 157452R     |        | 30   |        |      |
| 157453R     |        | 35   |        |      |
| 157454R     |        | 40   |        |      |

Fix split support roller with split collars

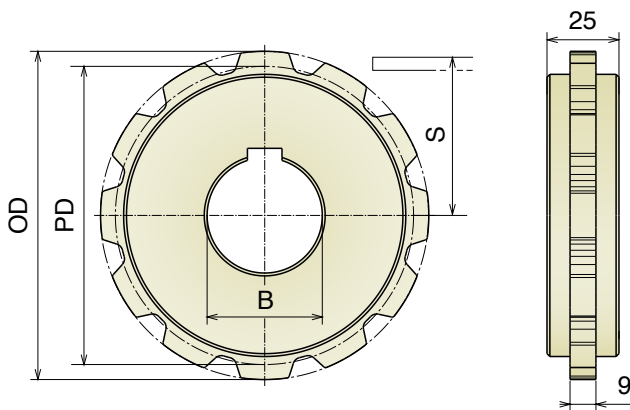
Part 215 Pag 445



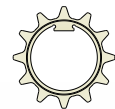
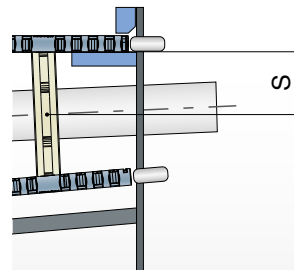
## ZERO CONTACT

Ruota traino, fresata

Drive sprocket, machined / Antriebskettenrad, gefräst



| Part | Article-Nr. | Z- | Bore | R <sub>i</sub> +50 | PD    | OD    | S    |
|------|-------------|----|------|--------------------|-------|-------|------|
| 1624 | 162401      | 12 | 40   | 650                | 58,0  | 61,0  | 25,6 |
| 1624 | 162402      |    |      | 750                | 66,0  | 69,0  | 29,9 |
| 1624 | 162403      |    |      | 850                | 76,0  | 79,0  | 34,2 |
| 1624 | 162404      |    |      | 950                | 84,0  | 86,0  | 38,5 |
| 1624 | 162405      |    |      | 1050               | 94,0  | 97,0  | 42,8 |
| 1624 | 162406      |    |      | 1150               | 102,0 | 104,0 | 47,1 |
| 1624 | 162407      |    |      | 1250               | 112,0 | 114,0 | 51,4 |
| 1624 | 162408      |    |      | 1350               | 119,0 | 122,0 | 55,7 |
| 1624 | 162409      |    |      | 1450               | 130,0 | 132,0 | 60,0 |
| 1624 | 162410      |    |      | 1550               | 137,0 | 140,0 | 64,3 |
| 1624 | 162411      |    |      | 1650               | 145,0 | 148,0 | 68,6 |
| 1624 | 162412      |    |      | 1750               | 154,0 | 157,0 | 72,9 |
| 1624 | 162413      |    |      | 1850               | 163,0 | 166,0 | 77,2 |
| 1624 | 162414      |    |      | 1950               | 171,0 | 174,0 | 81,5 |
| 1624 | 162415      |    |      | 2050               | 180,0 | 183,0 | 85,8 |
| 1624 | 162416      |    |      | 2150               | 189,0 | 192,0 | 90,1 |



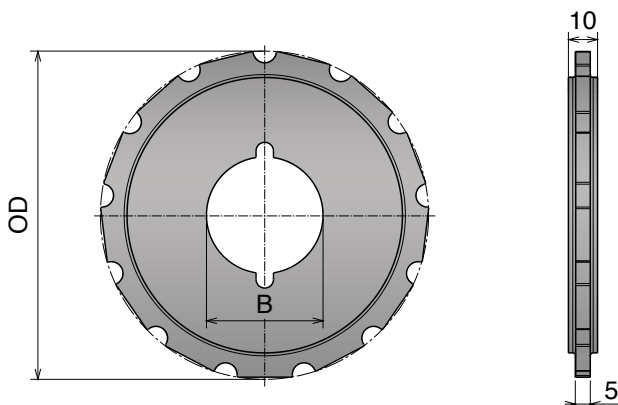
**Smallest sprocket with integrated key valid only for code 162401**

NOTE: in order to install the smallest sprockets a shaft key way continued to the end of the shaft is required.

## ZERO CONTACT PRO

Ruota traino, fresata

Drive sprocket, machined / Antriebskettenrad, gefräst



| Part | Article-Nr. | Z- | Bore | OD    |
|------|-------------|----|------|-------|
| 1633 | 163301      | 13 | 30   | 45,9  |
| 1633 | 163302      |    |      | 52,0  |
| 1633 | 163303      |    | 40   | 58,0  |
| 1633 | 163304      |    |      | 64,1  |
| 1633 | 163305      |    |      | 70,2  |
| 1633 | 163306      |    |      | 76,2  |
| 1633 | 163307      |    |      | 82,3  |
| 1633 | 163308      |    |      | 88,3  |
| 1633 | 163309      |    |      | 94,4  |
| 1633 | 163310      |    |      | 100,5 |
| 1633 | 163311      |    |      | 106,6 |
| 1633 | 163312      |    |      | 112,6 |
| 1633 | 163313      |    |      | 118,7 |
| 1633 | 163314      |    |      | 124,7 |
| 1633 | 163315      |    |      | 130,8 |
| 1633 | 163316      |    |      | 136,9 |
| 1633 | 163317      |    |      | 142,9 |

**Materiale / Material / Materialien:**

Resina acetica/Acetal resin/Azetal

Viti: Acciaio inox/Screws: Stainless steel/Schrauben: Edelstahl

Dadi: Acciaio inox/Nuts: Stainless steel/Mutter: Edelstahl

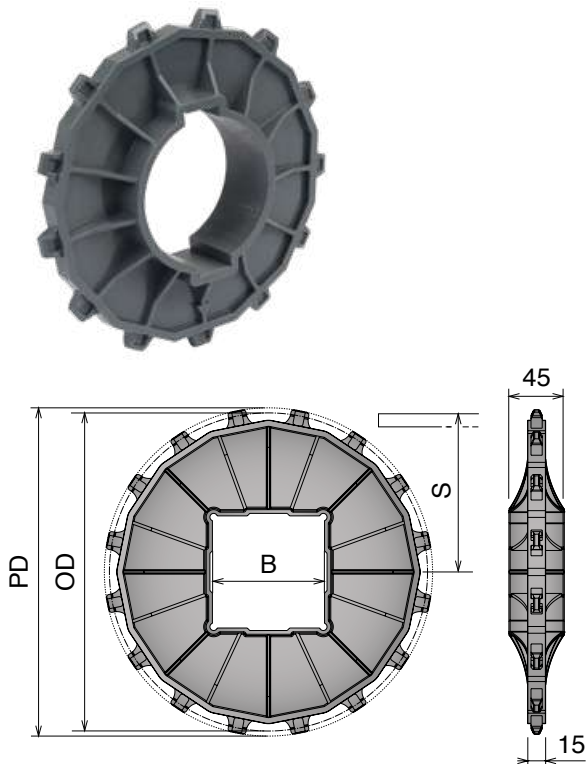
# 500 RR

Ruote per tappeti / Belt sprockets / Kettenräder für Mattenketten

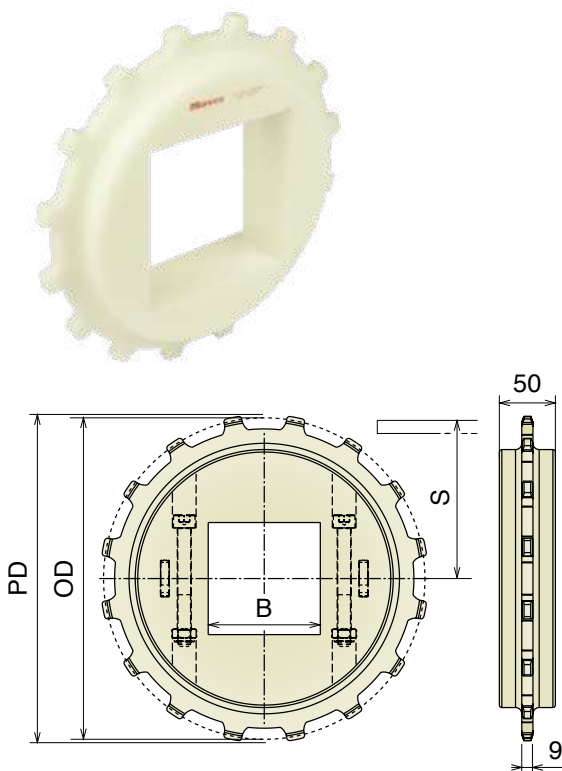
## 500 RR **Ruota traino, stampata** Drive sprocket, molded / Antriebskettenrad, gespritzt

Delivery: **Easy** Standard

| Part | Article-Nr. | Z- | Bore    | PD    | OD    | S     |
|------|-------------|----|---------|-------|-------|-------|
| 1551 | 155104      | 10 | Ø40     | 164,4 | 163,1 | 74,2  |
| 1551 | 155105      |    | Ø50     |       |       |       |
| 1551 | 155106      |    | 40x40   |       |       |       |
| 1551 | 155107      |    | 60x60   |       |       |       |
| 1551 | 155108      |    | 65x65   |       |       |       |
| 1552 | 155204      | 12 | Ø40     | 196,3 | 196,3 | 90,1  |
| 1552 | 155206      |    | 40x40   |       |       |       |
| 1552 | 155207      |    | 60x60   |       |       |       |
| 1552 | 155208      |    | 65x65   |       |       |       |
| 1553 | 155311      | 13 | Ø65     | 212,3 | 213,6 | 98,1  |
| 1553 | 155310      |    | Ø90     |       |       |       |
| 1553 | 155306      |    | 40x40   |       |       |       |
| 1553 | 155307      |    | 60x60   |       |       |       |
| 1553 | 155308      |    | 65x65   |       |       |       |
| 1553 | 155309      |    | 90x90   |       |       |       |
| 1559 | 155910      | 16 | Ø90     | 260,4 | 262,0 | 122,3 |
| 1559 | 155908      |    | 65x65   |       |       |       |
| 1559 | 155909      |    | 90x90   |       |       |       |
| 1559 | 155912      |    | 120x120 |       |       |       |



## Ruota traino, fresata Drive sprocket, machined / Antriebskettenrad, gefräst



| Part | Article-Nr. | Z- | Bore    | PD    | OD    | S     |
|------|-------------|----|---------|-------|-------|-------|
| 1607 | 160704      | 10 | Ø40     | 164,4 | 163,1 | 74,2  |
| 1607 | 160705      |    | Ø50     |       |       |       |
| 1607 | 160706      |    | 40x40   |       |       |       |
| 1607 | 160707      |    | 60x60   |       |       |       |
| 1607 | 160708      |    | 65x65   |       |       |       |
| 1608 | 160804      | 12 | Ø40     | 196,3 | 196,3 | 90,1  |
| 1608 | 160806      |    | 40x40   |       |       |       |
| 1608 | 160807      |    | 60x60   |       |       |       |
| 1608 | 160808      |    | 65x65   |       |       |       |
| 1609 | 160911      | 13 | Ø65     | 212,3 | 209,0 | 98,1  |
| 1609 | 160910      |    | Ø90     |       |       |       |
| 1609 | 160906      |    | 40x40   |       |       |       |
| 1609 | 160907      |    | 60x60   |       |       |       |
| 1609 | 160908      |    | 65x65   |       |       |       |
| 1609 | 160909      |    | 90x90   |       |       |       |
| 1610 | 161010      | 16 | Ø90     | 260,4 | 262,0 | 122,3 |
| 1610 | 161005      |    | Ø2,5"   |       |       |       |
| 1610 | 161008      |    | 65x65   |       |       |       |
| 1610 | 161009      |    | 90x90   |       |       |       |
| 1610 | 161012E     |    | 120x120 |       |       |       |

# 500 RR Split Version

Ruote per tappeti / Belt sprockets / Kettenräder für Mattenketten

## Materiale / Material / Materialien:

Resina acetalica/Acetal resin/Azetal

Viti: Acciaio inox/Screws: Stainless steel/Schrauben: Edelstahl

Dadi: Acciaio inox/Nuts: Stainless steel/Mutter: Edelstahl

# 500 RR Split Version

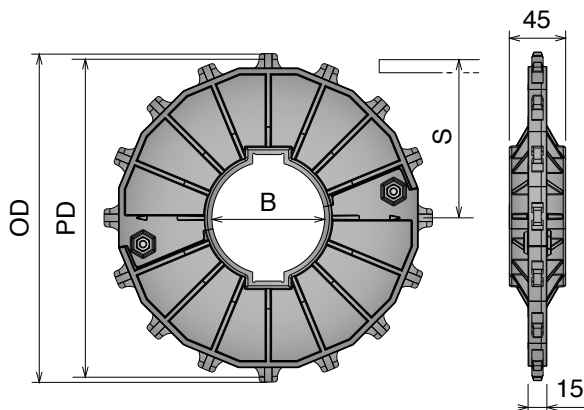
Ruota traino, stampata / Drive sprocket, molded / Antriebskettenrad, gespritzt

| Delivery: | Easy | Standard | Part | Article-Nr. | Z- | Bore                    | PD    | OD    | S     |
|-----------|------|----------|------|-------------|----|-------------------------|-------|-------|-------|
|           |      |          | 1558 | 155810      | 16 | Ø 90 with double keyway | 260,4 | 262,0 | 122,3 |



## Advantages:

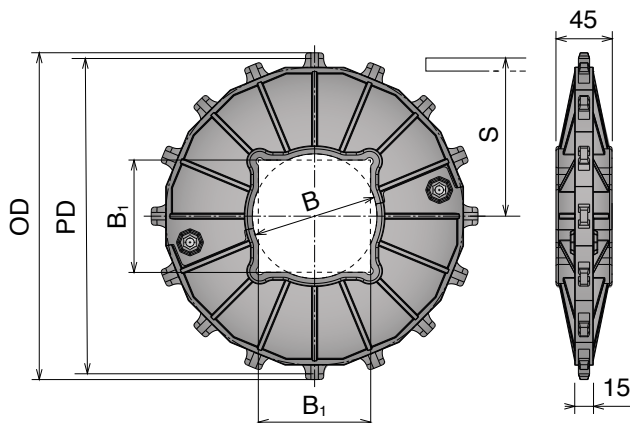
- Easy clean
- Easy installation
- Heavy duty design



## Ruota rinvio divisa, stampata

Split idler sprocket, molded / geteiltes Umlenkrad, gespritzt

| Part | Article-Nr. | Z- | Bore (B) | Bore (B <sub>1</sub> x B <sub>1</sub> ) | PD    | OD    | S     |
|------|-------------|----|----------|---|-------|-------|-------|
| 1558 | 155809      | 16 | Ø 100    | 90 x 90                                 | 260,4 | 262,0 | 122,3 |



# Movex® EXTRUSION CENTER



## We extrude for your business.

**Movex®** is a dynamic and flexible business reality that have been active in the industrial production for over ten years and is reaching market leadership as a reliable and precise supplier, planning the future without losing sight of its history and the values that allow its growth.

In the dedicated extrusion center from our production plant in Castelli Calepio (Italy), **Movex®** provides a new generation of high-performing profiles, developed and produced with the most updated technologies. Experienced engineers work around the clock on more than 50 extrusion machines (horizontal and vertical) to perfect almost 2000 high quality products for our customer needs.

**Movex®** meets your needs for standard and custom made products in a dynamic and responsive way, ensuring the best performance to satisfy our customer requirements.

## Choose the one that best suits you.

Each of the hundreds **Movex®** profiles are produced from a first rate of **UHMW-PE** with the possibility to further enhance performance by using our patented materials **BluLub®** and **Titanium White®**.

Transportation is a delicate phase for your shipment; to ship your order we choose the correct protection: carton, coils, reinforced wooden crate, packaging varies depending on the article typology, its size and its weight.

## Standard or customized extrusion...your choice.

**Movex®** is driven by the will to design and manufacture top quality items, combining technical performance and design, in order to offer its customers a tailor made service.

Beside of the standard available profiles, **Movex®** is also developing together with the customer innovative special solutions to offer *"the product you need when you need it"* against an attractive price. We have organized a specific workflow, developed over the course of the last ten years, which aims to satisfy the requirements of even the most demanding buyer. Get in touch with us and ask a personalised quotation.

## Choose the performance of innovative material.

**BluLub®** is the Movex super-performance compounded Ultra High Molecular Weight Polyethylene material, with the latest generation of solid lubricants, able to contribute improving PV-properties (limiting pressure velocity) compared to standard UHMW-PE, especially in applications with limited lubrication, higher speeds and/or higher loads.

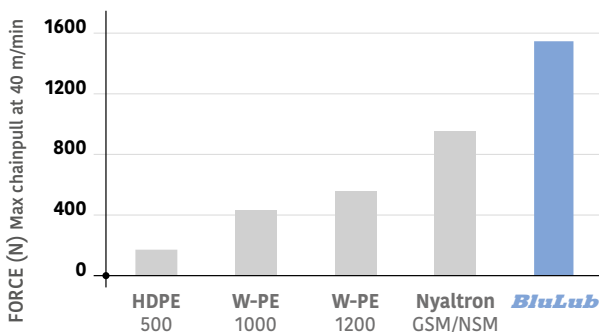
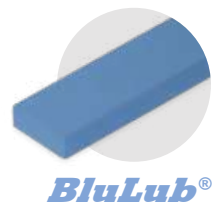
**BluLub®** ensures high wear and abrasion resistance, requires less energy and with the lowest coefficient of friction, improves the product stability and wear life of sliding parts.

Thanks to the **BluLub®** characteristics, the extruded profiles can also offer a longer wear life, compared to traditional materials, and will help reducing marks over products or goods sliding on them; at the same time, **BluLub®** is also ideal for extreme conditions in terms of load and speed.

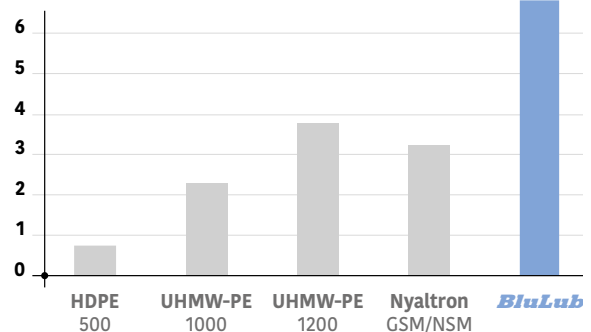
More material information and technical data sheet can be provided on request, get in touch with us for a quick support.

### The right choice for:

- Lowest coefficient of friction
- Reduced noise and squeaking
- Lowest wear and minimized energy consumption
- Minimal moisture absorption
- Extreme material performances
- Best lubricant distribution



PV LIMIT - Comparison table



RELATIVE WEARLIFE - Comparison table

**BluLub®** is available for any type of profile, standard or custom.

#### Properties:

- UHMW-PE Polyethylene with molecular density 9,200,000 g/mol.
- Operating temperature: -40 to + 80°C (-40 to 176°F)
- Linear expansion coefficient:  $2 \times 10^{-4} \text{ } ^\circ\text{C}^{-1}$  ( $1.1 \times 10^{-4} \text{ } ^\circ\text{F}^{-1}$ )





# Titanium White®

High quality, bright white extrusions.

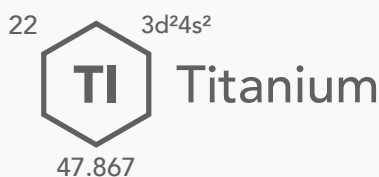
**Titanium White®** is the latest addition in the Movex's extrusion compound family. The name **Titanium White®** refers to the special metal because it has comparable unique properties, like high strength and optimum performance, generating low friction, absorbing heat and reducing energy consumption.

**Titanium White®** has a long lasting bright white color and keeps performances also after many hours of work. Thanks to the **Titanium White®** characteristics, the extruded profiles are made of an intense white UHMW-PE, resulting in a smoother surface and devoid of push marks, meaning in a minimized power consumption and possible goods defect. **Titanium White®** has also an improved UV and aging resistance and a high chemical resistance.

More material information and technical datasheets can be provided on request, get in touch with us for a quick support.

## The right choice for:

- Lower coefficient of friction
- Lower wear and less energy consumption
- Minimal moisture absorption
- UV & aging resistance
- High chemical resistance



Strong metal with low density that is quite ductile, lustrous and metallic white in color.

All these features reflect our extruded profiles with **Ti-White** compound.



**Ti-White** (Example of application)

**Titanium White®** is available for any type of profile, standard or custom.

### Properties:

- UHMW-PE Polyethylene with molecular density 9,200,000 g/mol.
- Operating temperature: -40 to + 80°C (-40 to 176°F)
- Linear expansion coefficient:  $2 \times 10^{-4} \text{ } ^\circ\text{C}^{-1}$  ( $1.1 \times 10^{-4} \text{ } ^\circ\text{F}^{-1}$ )



# UHMW-PE

## Standard extrusion polyethylene.

Standard profiles are all made with a first-rate **UHMW-PE** polyethylene, a thermoplastic polymer with a variable crystalline structure with a vast range of applications.

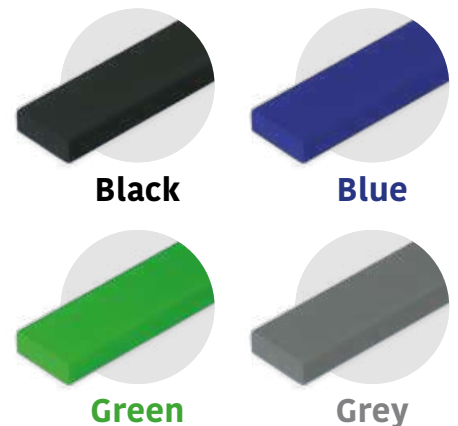
**UHMW-PE** is available in several colors and lengths. It's the perfect choice to reach your line-performance against an attractive price.

### The right choice for:

- Low coefficient of friction
- Good resistance to wear consumption
- Attractive market price
- Long durability



### Standard colors\*:



**UHMW-PE** is available for any type of profile, standard or custom.

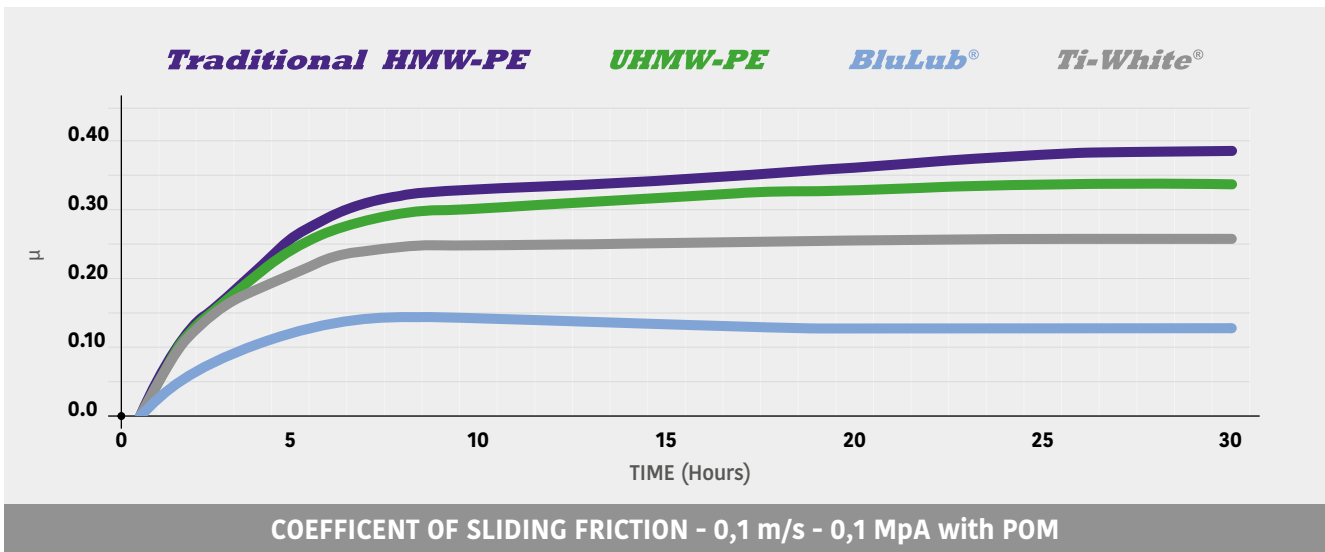
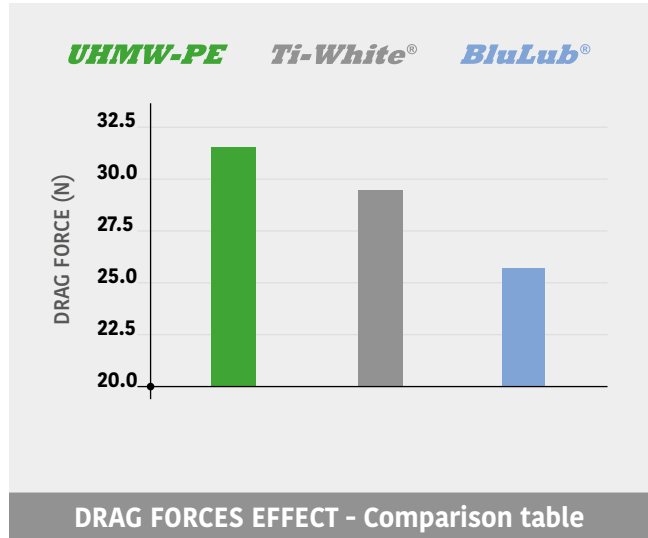
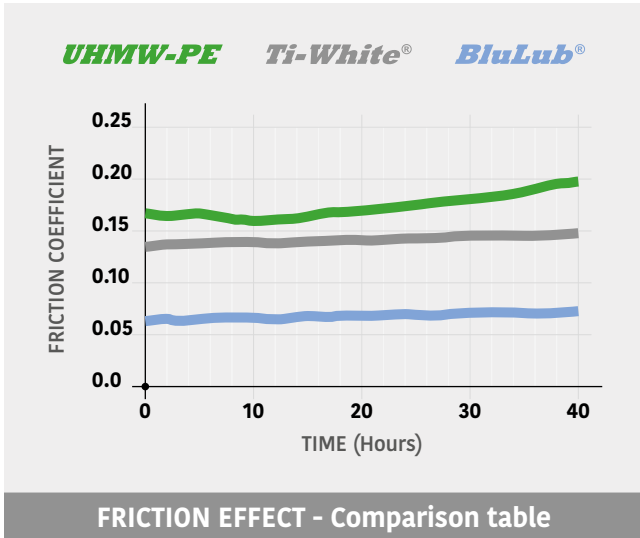
#### Properties:

- UHMW-PE Polyethylene with molecular density 5,600,000 g/mol.
- Operating temperature: -40 to + 80°C (-40 to 176°F)
- Linear expansion coefficient:  $2 \times 10^{-4} \text{C}^{-1}$  ( $1.1 \times 10^{-4} \text{°F}^{-1}$ )

\*Other colors are available on request.

# Material selection

Movex offers different materials and design solution for each customer requirements. These comparison tables help to better understand each material and take advantage of their strengths and features to suit your specific needs:



**Ti-White**® VS Traditional HMW-PE

**BluLub**® VS Traditional HMW-PE



**IMPROVED RESISTANCE**

This material can keep its color properties stable during the time. Moreover, titanium gives better sliding properties than traditional material.



**ENERGY SAVING**

Thanks to the unique solid lubricant added into the material, the sliding properties are excellent and energy consumption will be reduced.

# RS SIDE GUIDE RAIL

Easy and modular replacement label saver system.

**RS Side guide profile** is a development which enable you to simplify your business!

Thanks to the replaceable wear-strip in **BluLub®**, **RS Side guide profile** can reduce total cost of ownership: in case of required maintenance, only **BluLub®** strips can be replaced, saving time at a lower cost.

Different profiles are available from stock and can be mounted in different ways to optimize the support of your product according to the specific needs.



## Increased performance

**BluLub® wearstrips** contribute to a lower friction which results in less energy consumption.



## Fast and easy maintenance

Thanks to its innovative design, the easy replaceable **BluLub® wearstrips** meets the needs to reduce maintenance time.



## Interchangeable wearstrip

Every **BluLub® wearstrip** has the same fixing system, this makes all versions interchangeable. In case of required replacement, wearstrips can be ordered as coiled spare parts.



## No gap between connection

**BluLub® wearstrip** allows you to connect two or more different base profiles with no gap, by simply slide it in.

## The right choice for:

- Innovative equipment
- Total cost reduction
- Less energy consumption
- Improved product stability

**RS Side guide rail profiles** are available in various executions.

### Materials:

- Base profile: **UHMW-PE** (see details).
- Label saver: **BluLub®** polyethylene UHMW-PE with molecular density 9,200,000 g/mo. with reduced coefficient of friction and higher wear resistance and its complies with the code of Federal Regulations of FDA (see details).

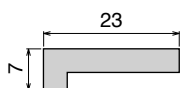
# 341



## L-Profile

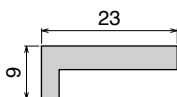
See product page for specific details and materials available.

1094



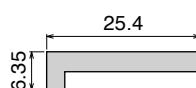
Pag 350

175



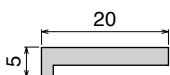
Pag 350

1038



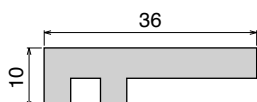
Pag 350

150



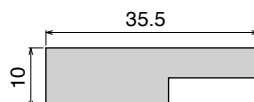
Pag 350

1058



Pag 351

174

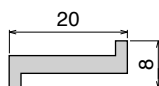


Pag 351

## Z-Profile

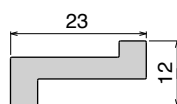
See product page for specific details and materials available.

101



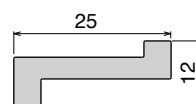
Pag 351

102



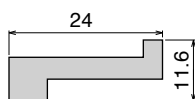
Pag 352

102



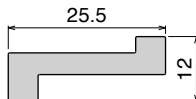
Pag 352

176



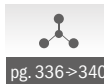
Pag 352

1074



Pag 353

Material Info:

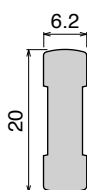


pg. 336->340

## Special shape

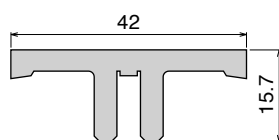
See product page for specific details and materials available.

107



Pag 353

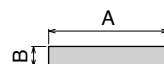
108



Pag 353

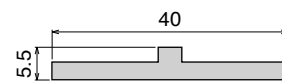
105

A: 20/25/30/40/50/60/70/100  
B: 3,5



Pag 354

106

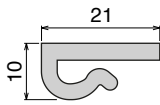


Pag 354

# J-Profile

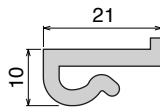
See product page for specific details and materials available.

**103** Fit on 2,5 to 3,5 mm



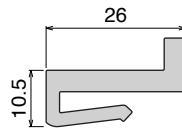
Pag 355

**104** Fit on 2,5 to 3,5 mm



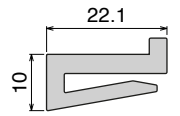
Pag 355

**179** Fit on 2,5 to 3,5 mm



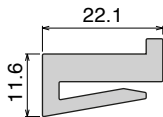
Pag 355

**1014** Fit on 3 mm



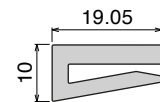
Pag 356

**1015** Fit on 2,5 to 3,5 mm



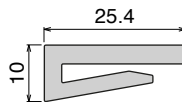
Pag 356

**1016** Fit on 3 mm



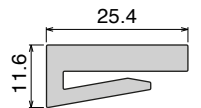
Pag 356

**1017** Fit on 3 mm



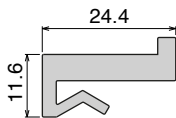
Pag 357

**1018** Fit on 3 mm



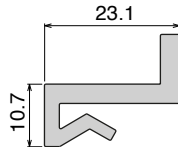
Pag 357

**1019** Fit on 3 mm



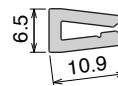
Pag 357

**1020** Fit on 3 mm



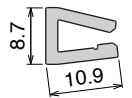
Pag 358

**1068** Fit on 1,8 to 2 mm



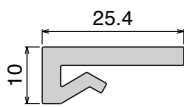
Pag 358

**1090** Fit on 1,8 to 2 mm



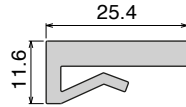
Pag 358

**1021** Fit on 3 mm



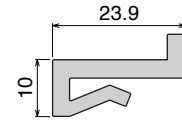
Pag 359

**1022** Fit on 3 mm



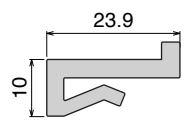
Pag 359

**1023** Fit on 3 mm



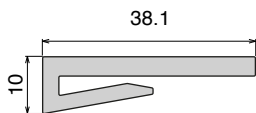
Pag 359

**1024** Fit on 3 mm



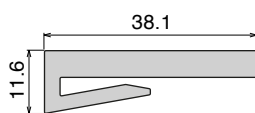
Pag 360

**1025** Fit on 3 mm



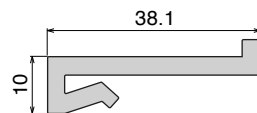
Pag 360

**1026** Fit on 3 mm



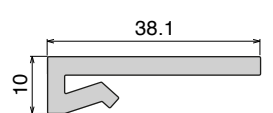
Pag 360

**1027** Fit on 3 mm



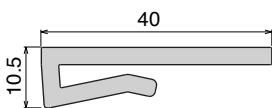
Pag 361

**1028** Fit on 3 mm



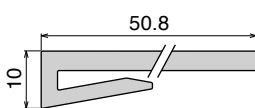
Pag 361

**1046** Fit on 3 mm



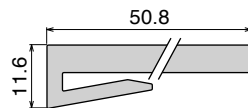
Pag 361

**1029** Fit on 3 mm



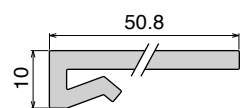
Pag 362

**1030** Fit on 3 mm



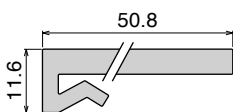
Pag 362

**1031** Fit on 3 mm



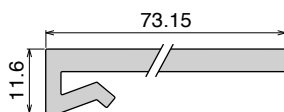
Pag 362

**1032** Fit on 3 mm



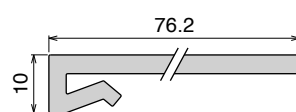
Pag 363

**1035** Fit on 3 mm



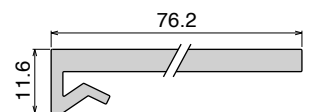
Pag 363

**1033** Fit on 3 mm



Pag 363

**1034** Fit on 3 mm

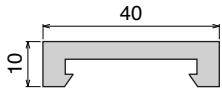


Pag 364

# U-Profile

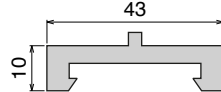
See product page for specific details and materials available.

**109**



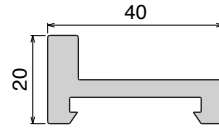
Pag 364

**110**



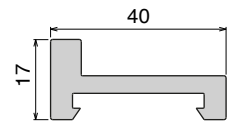
Pag 365

**156**



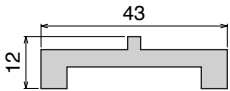
Pag 365

**156**



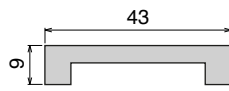
Pag 365

**149**



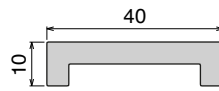
Pag 366

**177**



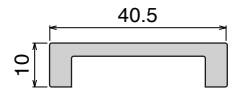
Pag 366

**1059**



Pag 367

**178**



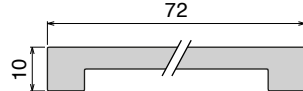
Pag 367

**111**



Pag 368

**1060**



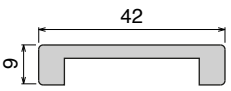
Pag 368

**199**



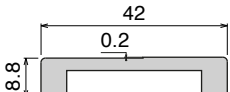
Pag 369

**199**



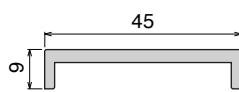
Pag 369

**199 Staggered**



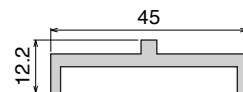
Pag 369

**1080**



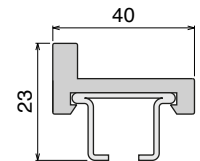
Pag 370

**1081**



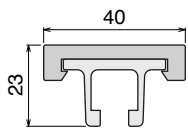
Pag 370

**133**



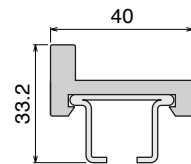
Pag 371

**148**



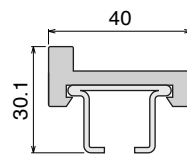
Pag 371

**157**



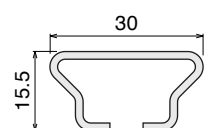
Pag 372

**157**



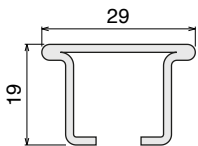
Pag 372

**118 Stainless steel**



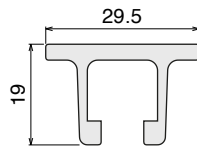
Pag 373

**112 Stainless steel**



Pag 373

**147 Aluminum**

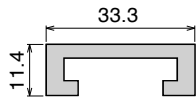


Pag 373

# C-Profile

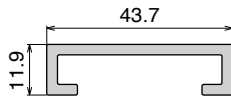
See product page for specific details and materials available.

**1041** Fit on 25 x 5 mm



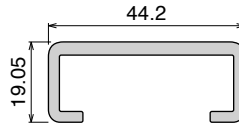
Pag 374

**1082** Fit on 38,1 x 6,35 mm



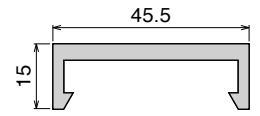
Pag 374

**1044** Fit on 38,1 x 12,7 mm



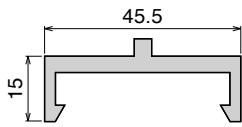
Pag 374

**1053** Fit on 38,1 x 6,35 mm



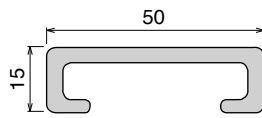
Pag 375

**1054** Fit on 38,1 x 6,35 mm



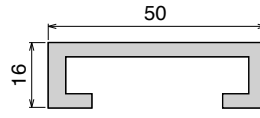
Pag 375

**137** Fit on 40 x 8 mm



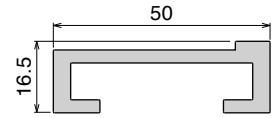
Pag 375

**137** Fit on 40 x 8 mm



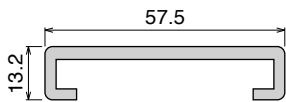
Pag 376

**137** Fit on 40 x 8 mm



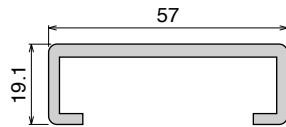
Pag 376

**1042** Fit on 50 x 6 mm



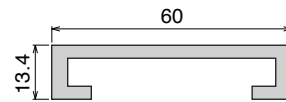
Pag 376

**1045** Fit on 50,8 x 12,7 mm



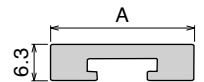
Pag 377

**158** Fit on 50 x 6 mm



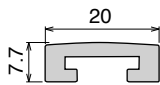
Pag 377

**163** See dimension available  
Used with Part. 164/165



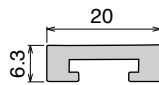
Pag 378

**160** Used with Part. 164/165



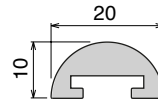
Pag 379

**161** Used with Part. 164/165



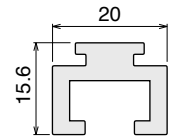
Pag 379

**162** Used with Part. 164/165



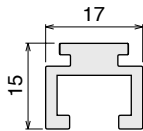
Pag 380

**164** Aluminum



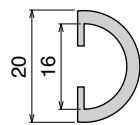
Pag 380

**165** Aluminum



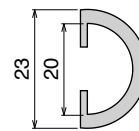
Pag 380

**1039**



Pag 381

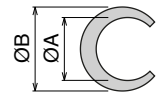
**1083**



Pag 381

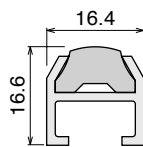
**166**

ØA: 8/10/12/16  
ØB: 12/14/16/20



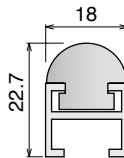
Pag 382

**154**



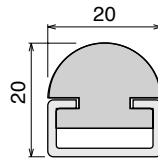
Pag 382

**155**



Pag 383

**134**

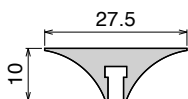


Pag 383

# Transfer plate and NoseBar

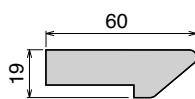
See product page for specific details and materials available.

**199** Fit on 3 mm



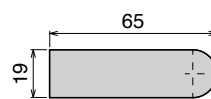
Pag 384

**238**



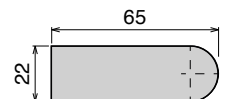
Pag 384

**228**



Pag 384

**235**



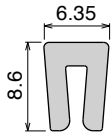
Pag 384



# Bar cap and cover

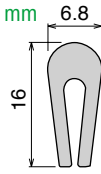
See product page for specific details and materials available.

**1000**  
Fit on 1,5 mm



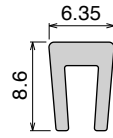
Pag 385

**1001**  
Fit on 1,5 mm



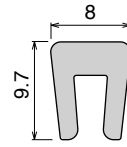
Pag 385

**1002**  
Fit on 3 mm



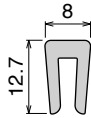
Pag 385

**1003**  
Fit on 3 mm



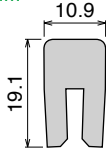
Pag 385

**1004**  
Fit on 3 mm



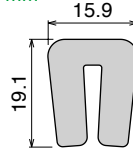
Pag 386

**1084**  
Fit on 3 mm



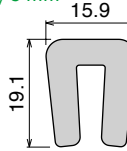
Pag 386

**1085**  
Fit on 3 mm



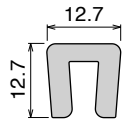
Pag 386

**153**  
Fit on 4/5 mm



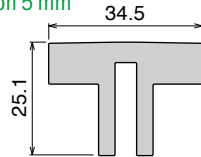
Pag 387

**1006**  
Fit on 5 mm



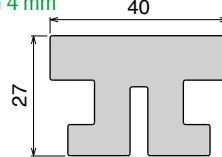
Pag 387

**1007**  
Fit on 5 mm



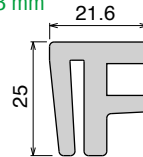
Pag 387

**1095**  
Fit on 4 mm



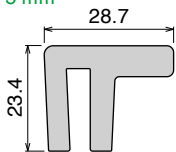
Pag 388

**1040**  
Fit on 3 mm



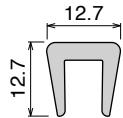
Pag 388

**1008**  
Fit on 5 mm



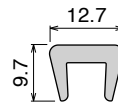
Pag 388

**1009**  
Fit on 6 mm



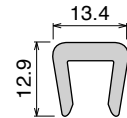
Pag 389

**1010**  
Fit on 6 mm



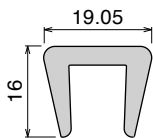
Pag 389

**1086**  
Fit on 8 mm



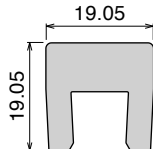
Pag 389

**1011**  
Fit on 10 mm



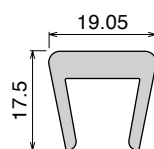
Pag 389

**1013**  
Fit on 10 mm



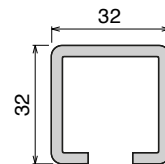
Pag 390

**1012**  
Fit on 12/13 mm



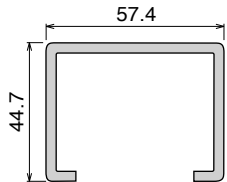
Pag 390

**181** Fit on 25,4 x 25,4 mm



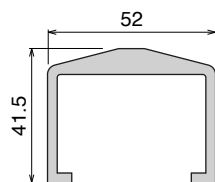
Pag 390

**1052** Fit on 38,1 x 50,8 mm



Pag 391

**180** Fit on 30,5 x 46 mm

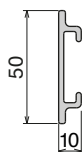


Pag 391

# Side guide rail USED WITH PLATE

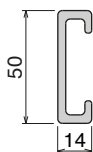
See product page for specific details and materials available.

**1063**  
Fit on mm  
30 x 4



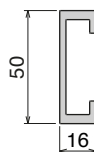
Pag 392

**137**  
Fit on mm  
40 x 8



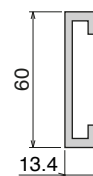
Pag 392

**137**  
Fit on mm  
40 x 10



Pag 393

**158**  
Fit on mm  
40 x 10



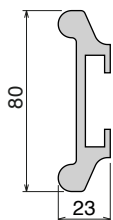
Pag 393

**1064**  
Fit on mm  
55 x 4



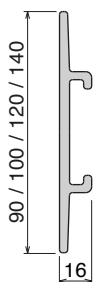
Pag 394

**183**  
Fit on mm  
40 x 8



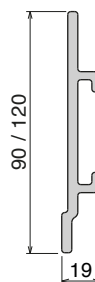
Pag 394

**158**  
Fit on mm  
50 x 6



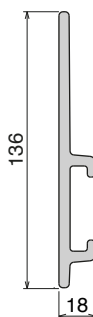
Pag 395

**194 Label saver**  
Fit on mm  
50 x 6



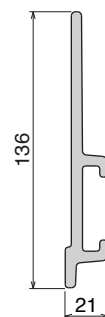
Pag 395

**189**  
Fit on mm  
40 x 8



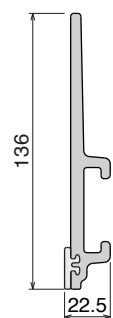
Pag 396

**189 Label saver**  
Fit on mm  
40 x 8



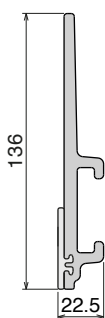
Pag 396/397

**1079 RS**  
Fit on mm  
40 x 8



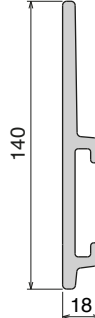
Pag 397

**1079 RS**  
Fit on mm  
40 x 8



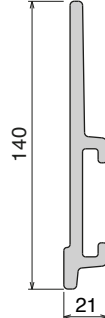
Pag 397

**189**  
Fit on mm  
50 x 6



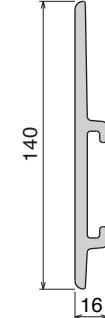
Pag 398

**189 Label saver**  
Fit on mm  
50 x 6



Pag 398/399

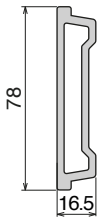
**1096**  
Fit on mm  
50 x 5



Pag 399

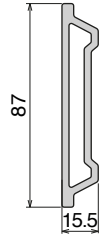
# Side guide rail USED WITH PLATE AND CLAMP See product page for specific details and materials available.

**135**  
Fit on mm  
60 x 6



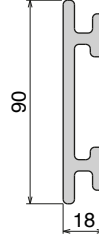
Pag 400

**136**  
Fit on mm  
60 x 6



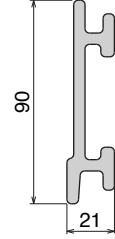
Pag 400

**1057**  
Fit on mm  
50 x 6



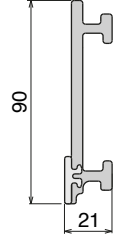
Pag 401

**1077 Label saver**  
Fit on mm  
50 x 6



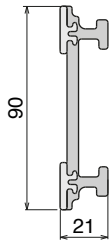
Pag 401

**1077 RS**  
Fit on mm  
50 x 6



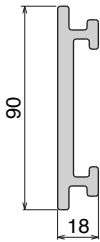
Pag 402

**1078 RS**  
Fit on mm  
50 x 6



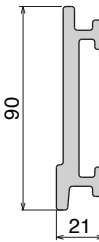
Pag 402

**1057**  
Fit on mm  
60 x 6



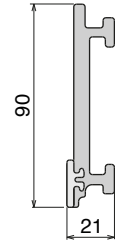
Pag 403

**1077 Label saver**  
Fit on mm  
60 x 6



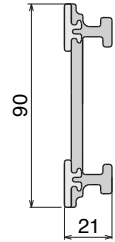
Pag 403

**1077 RS**  
Fit on mm  
60 x 6



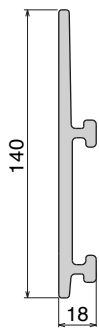
Pag 404

**1078 RS**  
Fit on mm  
60 x 6



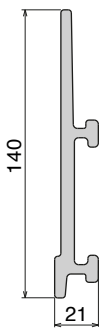
Pag 404

**193**  
Fit on mm  
60 x 5



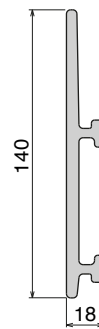
Pag 405

**189**  
Fit on mm  
60 x 5



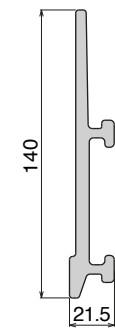
Pag 405/406

**193**  
Fit on mm  
60 x 6



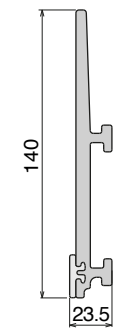
Pag 407

**189 Label saver**  
Fit on mm  
60 x 6



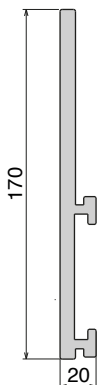
Pag 407/408

**1075 RS**  
Fit on mm  
60 x 6



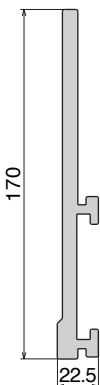
Pag 408

**187**  
Fit on mm  
60 x 6



Pag 409

**187 Label saver**  
Fit on mm  
60 x 6



Pag 409

**117**  
Stainless steel  
Fit on mm  
40 x 6  
40 x 8  
40 x 10



Pag 410

**1055**  
Stainless steel  
Fit on mm  
40 x 8  
50 x 6



Pag 410

**159 - 1088 - 1089**  
Stainless steel  
Fit on mm  
50 x 6  
60 x 5  
60 x 6

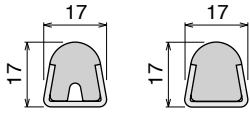


Pag 410

# Guide rail

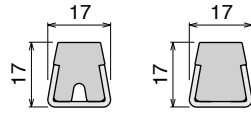
See product page for specific details and materials available. | Assembled with stainless steel profile AISI 304.

119



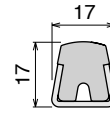
Pag 411

121



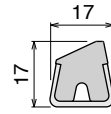
Pag 412

120



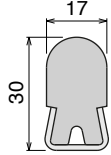
Pag 413

152



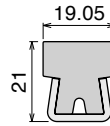
Pag 413

1067



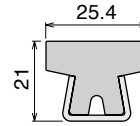
Pag 414

143



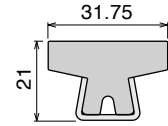
Pag 414

122



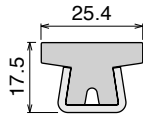
Pag 415

123



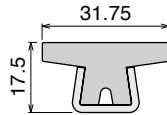
Pag 415

140



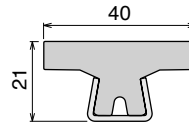
Pag 416

146



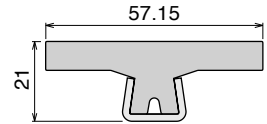
Pag 416

124



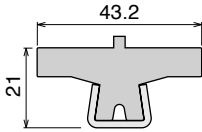
Pag 417

141



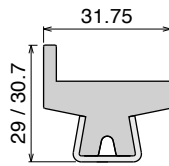
Pag 417

142



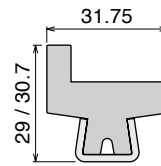
Pag 418

125



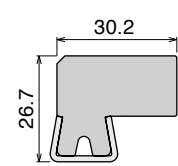
Pag 418

144



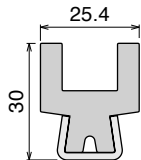
Pag 419

184



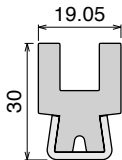
Pag 419

145



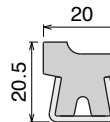
Pag 420

1087



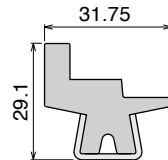
Pag 420

191



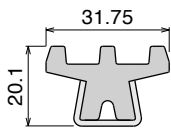
Pag 421

126



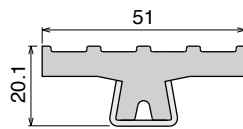
Pag 421

127



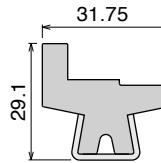
Pag 421

128



Pag 422

129



Pag 422

# Bending machines and rollers

See product page for specific details.

198



Pag 423

199



Pag 423

151

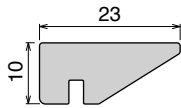


Pag 424/425

# Neck guide

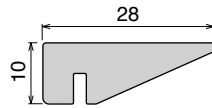
See product page for specific details and materials available.

**170** Fit on 2,5 mm



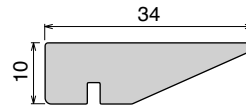
Pag 426

**168** Fit on 2,5 mm



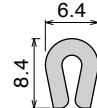
Pag 426

**169** Fit on 2,5 mm



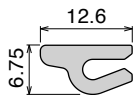
Pag 426

**167** Fit on 1,8/2 mm



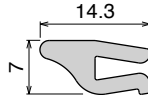
Pag 427

**192** Fit on 1,8/2 mm



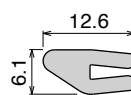
Pag 427

**1062** Fit on 1,8/2 mm



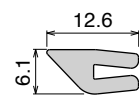
Pag 427

**1072** Fit on 1,8/2 mm



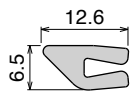
Pag 427

**1073** Fit on 1,8/2 mm



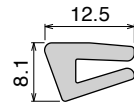
Pag 428

**1076** Fit on 1,8/2 mm



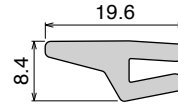
Pag 428

**1037** Fit on 3 mm



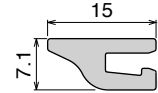
Pag 428

**171** Fit on 3 mm



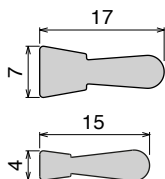
Pag 428

**172** Fit on 3 mm



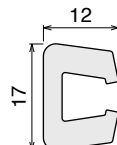
Pag 428

**131**  
TYPE A  
TYPE B



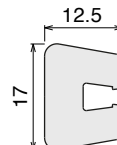
Pag 429

**130** Aluminum  
TYPE A



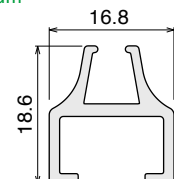
Pag 429

**130** Aluminum  
TYPE B



Pag 429

**188** Aluminum



Pag 429

# Shoes and connecting elements

See product page for specific details and materials available.

**113**



Pag 430

**113**



Pag 431

**114**



Pag 431

**116**



Pag 432

**116**



Pag 433

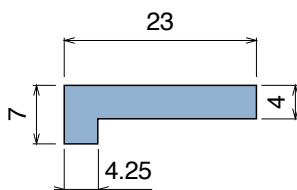
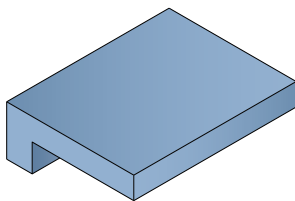
**115**



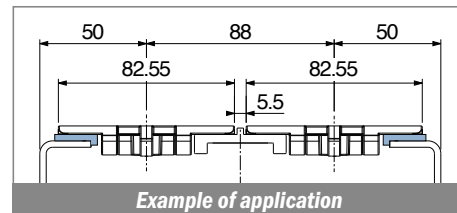
Pag 433

## NEW 1094

Profilo "L" / L-Profile / L-Profil



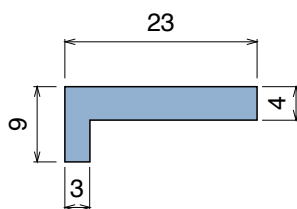
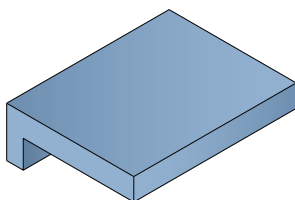
| Article-Nr. | Material        | Availability | Supply     |
|-------------|-----------------|--------------|------------|
| 109404      | <b>BluLub</b>   | On request   | 60 m coils |
| 109403      | <b>Ti-White</b> | On request   | 60 m coils |
| 109401      | Black           | On request   | 60 m coils |
| 109405      | Blue            | On request   | 60 m coils |
| 109402      | Green           | On request   | 60 m coils |



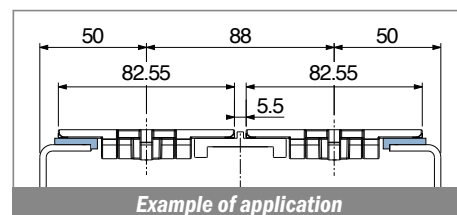
## 175

Profilo "L" / L-Profile / L-Profil

Delivery: **Easy** **Standard**



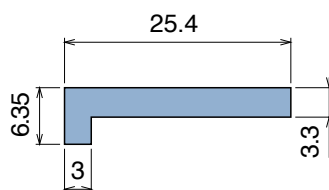
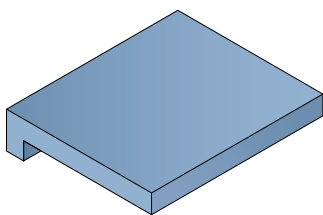
| Article-Nr. | Material        | Availability | Supply     |
|-------------|-----------------|--------------|------------|
| 17504       | <b>BluLub</b>   | On request   | 60 m coils |
| 17503       | <b>Ti-White</b> | On request   | 60 m coils |
| 17501       | Black           | Stock item   | 60 m coils |
| 17505       | Blue            | On request   | 60 m coils |
| 17502       | Green           | Stock item   | 60 m coils |



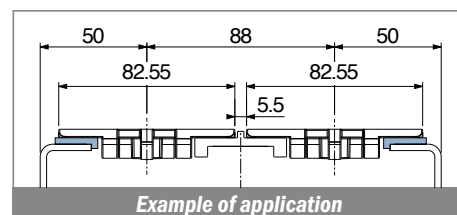
## 1038

Profilo "L" / L-Profile / L-Profil

Delivery: **Easy** **Standard**



| Article-Nr. | Material        | Availability | Supply     |
|-------------|-----------------|--------------|------------|
| 103804      | <b>BluLub</b>   | On request   | 60 m coils |
| 103803      | <b>Ti-White</b> | On request   | 60 m coils |
| 103805      | Blue            | On request   | 60 m coils |

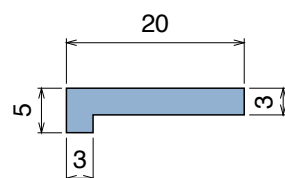
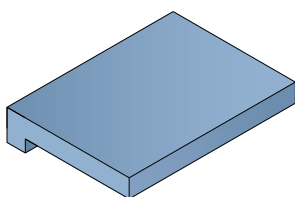


### North America STANDARD

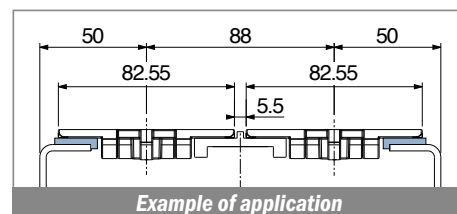
## 150

Profilo "L" / L-Profile / L-Profil

Delivery: **Easy** **Standard**



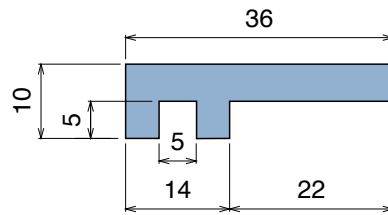
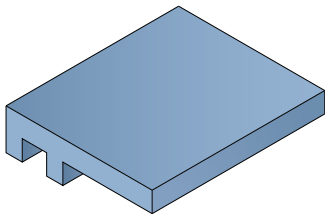
| Article-Nr. | Material        | Availability | Supply     |
|-------------|-----------------|--------------|------------|
| 15004       | <b>BluLub</b>   | On request   | 60 m coils |
| 15003       | <b>Ti-White</b> | On request   | 60 m coils |
| 15001       | Black           | Stock item   | 60 m coils |
| 15005       | Blue            | On request   | 60 m coils |
| 15002       | Green           | Stock item   | 60 m coils |



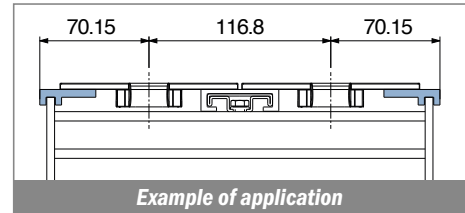
## 1058

### Profilo "L" / L-Profile / L-Profil

Delivery: **Easy** **Standard**



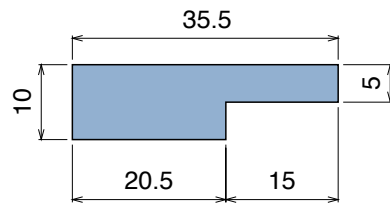
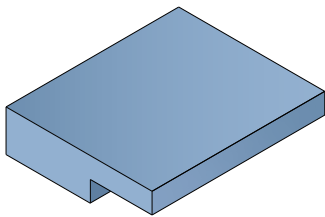
| Article-Nr. | Material | Availability | Supply   |
|-------------|----------|--------------|----------|
| 105800BC    | BluLub   | On request   | 3 m bars |
| 105800B     | BluLub   | On request   | 6 m bars |
| 105803C     | Ti-White | On request   | 3 m bars |
| 105803      | Ti-White | On request   | 6 m bars |
| 105801C     | Black    | Stock item   | 3 m bars |
| 105801      | Black    | On request   | 6 m bars |
| 105805C     | Blue     | On request   | 3 m bars |
| 105805      | Blue     | On request   | 6 m bars |
| 105802C     | Green    | Stock item   | 3 m bars |
| 105802      | Green    | On request   | 6 m bars |



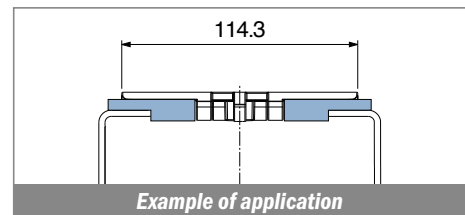
## 174

### Profilo "L" / L-Profile / L-Profil

Delivery: **Easy** **Standard**



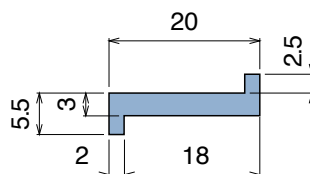
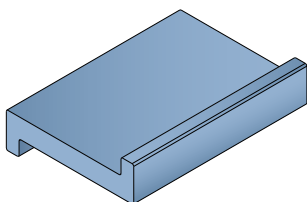
| Article-Nr. | Material | Availability | Supply   |
|-------------|----------|--------------|----------|
| 17404C      | BluLub   | On request   | 3 m bars |
| 17404       | BluLub   | On request   | 6 m bars |
| 17403C      | Ti-White | On request   | 3 m bars |
| 17403       | Ti-White | On request   | 6 m bars |
| 17401C      | Black    | Stock item   | 3 m bars |
| 17401       | Black    | On request   | 6 m bars |
| 17405C      | Blue     | On request   | 3 m bars |
| 17405       | Blue     | On request   | 6 m bars |
| 17402C      | Green    | Stock item   | 3 m bars |
| 17402       | Green    | On request   | 6 m bars |



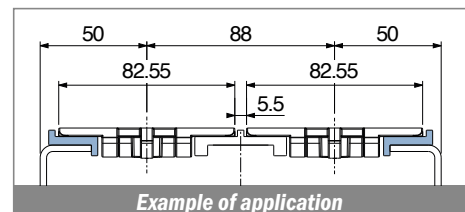
## 101

### Profilo "Z" / Z-Profile / Z-Profil

Delivery: **Easy** **Standard**

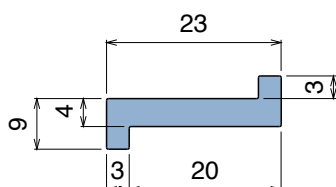
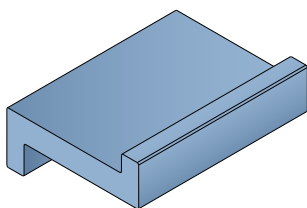


| Article-Nr. | Material | Availability | Supply     |
|-------------|----------|--------------|------------|
| 10104       | BluLub   | On request   | 60 m coils |
| 10103       | Ti-White | On request   | 60 m coils |
| 10101       | Black    | Stock item   | 60 m coils |
| 10105       | Blue     | On request   | 60 m coils |
| 10102       | Green    | Stock item   | 60 m coils |

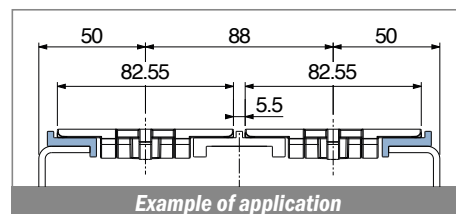


## 102 Profilo "Z" / Z-Profile / Z-Profil

Delivery: **Easy** **Standard**

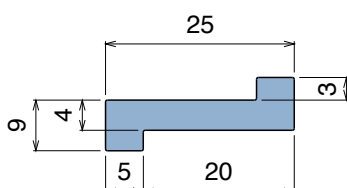
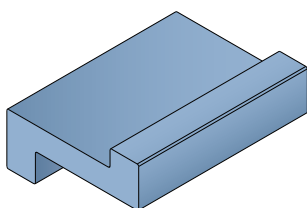


| Article-Nr. | Material        | Availability | Supply     |
|-------------|-----------------|--------------|------------|
| 10202B      | <b>BluLub</b>   | Stock item   | 60 m coils |
| 10203       | <b>Ti-White</b> | On request   | 60 m coils |
| 10201       | Black           | Stock item   | 60 m coils |
| 10205       | Blue            | On request   | 60 m coils |
| 10202       | Green           | Stock item   | 60 m coils |

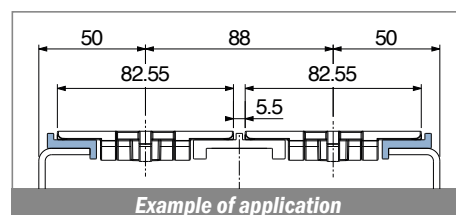


## 102 Profilo "Z" / Z-Profile / Z-Profil

Delivery: **Easy** **Standard**

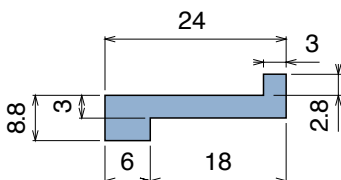
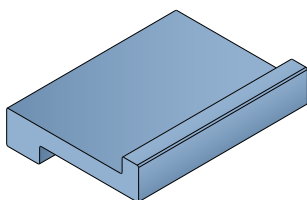


| Article-Nr. | Material        | Availability | Supply     |
|-------------|-----------------|--------------|------------|
| 10299B      | <b>BluLub</b>   | Stock item   | 60 m coils |
| 10293       | <b>Ti-White</b> | On request   | 60 m coils |
| 10297       | Black           | On request   | 60 m coils |
| 10295       | Blue            | On request   | 60 m coils |
| 10298       | Green           | Stock item   | 60 m coils |

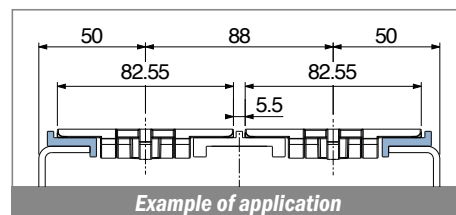


## 176 Profilo "Z" / Z-Profile / Z-Profil

Delivery: **Easy** **Standard**



| Article-Nr. | Material        | Availability | Supply     |
|-------------|-----------------|--------------|------------|
| 17604       | <b>BluLub</b>   | On request   | 60 m coils |
| 17603       | <b>Ti-White</b> | On request   | 60 m coils |
| 17601       | Black           | On request   | 60 m coils |
| 17605       | Blue            | On request   | 60 m coils |
| 17602       | Green           | Stock item   | 60 m coils |

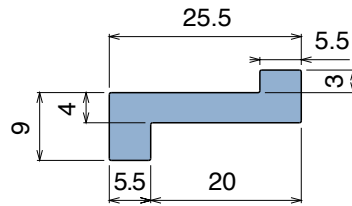
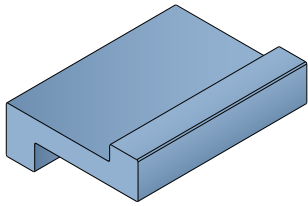




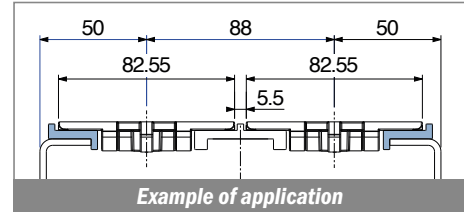
## 1074

### Profilo "Z" / Z-Profile / Z-Profil

Delivery: **Easy** **Standard**



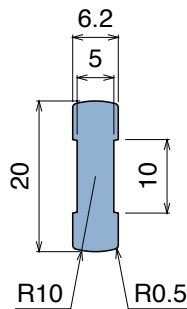
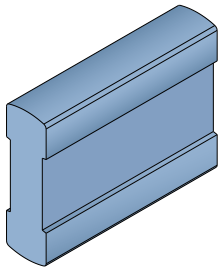
| Article-Nr. | Material        | Availability | Supply     |
|-------------|-----------------|--------------|------------|
| 107404      | <b>BluLub</b>   | On request   | 60 m coils |
| 107403      | <b>Ti-White</b> | On request   | 60 m coils |
| 107401      | Black           | Stock item   | 60 m coils |
| 107405      | Blue            | On request   | 60 m coils |



## 107

### Profilo guida catena / Wear strip / Rückführleiste

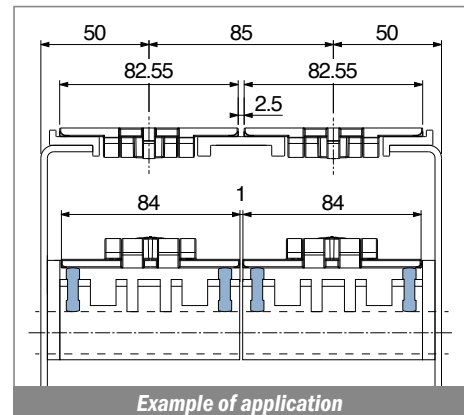
Delivery: **Easy** **Standard**



Supports available  
Part 230/231  
Pag 446



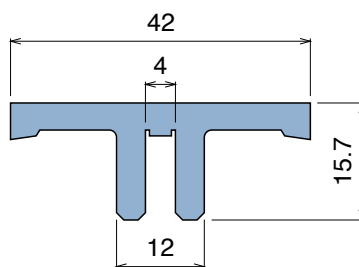
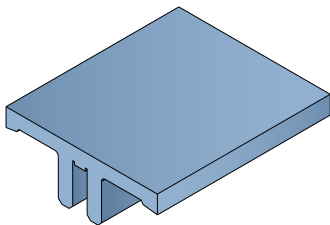
| Article-Nr. | Material        | Availability | Supply     |
|-------------|-----------------|--------------|------------|
| 10704       | <b>BluLub</b>   | On request   | 60 m coils |
| 10703       | <b>Ti-White</b> | Stock item   | 60 m coils |
| 10701       | Black           | On request   | 60 m coils |
| 10705       | Blue            | On request   | 60 m coils |
| 10702       | Green           | Stock item   | 60 m coils |



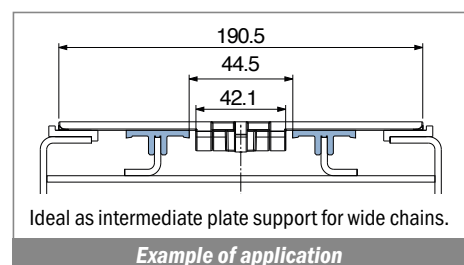
## 108

### Profilo T / T-profile / T-Profil

Delivery: **Easy** **Standard**

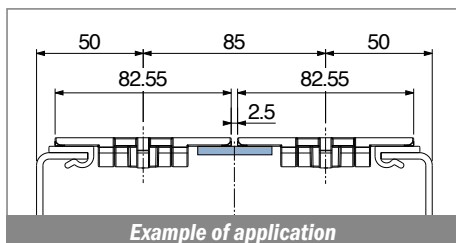
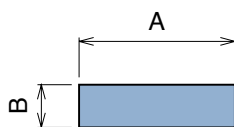
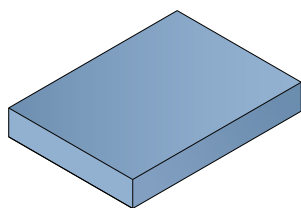


| Article-Nr. | Material        | Availability | Supply   |
|-------------|-----------------|--------------|----------|
| 10800BC     | <b>BluLub</b>   | On request   | 3 m bars |
| 10800B      | <b>BluLub</b>   | Stock item   | 6 m bars |
| 10803C      | <b>Ti-White</b> | On request   | 3 m bars |
| 10803       | <b>Ti-White</b> | On request   | 6 m bars |
| 10801C      | Black           | Stock item   | 3 m bars |
| 10801       | Black           | On request   | 6 m bars |
| 10805C      | Blue            | On request   | 3 m bars |
| 10805       | Blue            | On request   | 6 m bars |
| 10802C      | Green           | Stock item   | 3 m bars |
| 10802       | Green           | Stock item   | 6 m bars |



## 105 Profilo piatto / Flat profile / Flachprofil

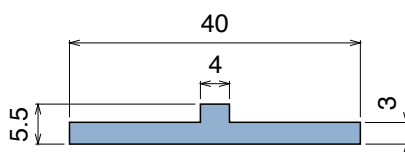
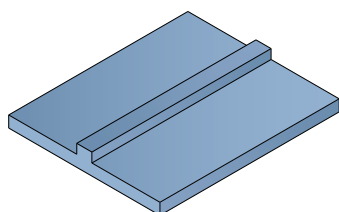
Delivery: **Easy** Standard



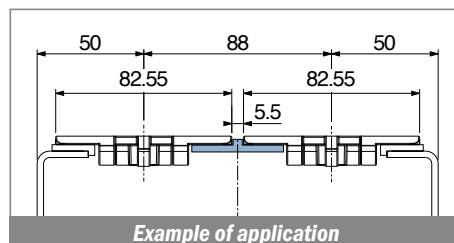
| Article-Nr. | Material | A   | B | Availability | Supply     |
|-------------|----------|-----|---|--------------|------------|
| 10502BL     | BluLub   | 20  | 3 | On request   | 60 m coils |
| 10504BL     | BluLub   | 20  | 5 | On request   | 60 m coils |
| 10595BL     | BluLub   | 25  | 3 | On request   | 60 m coils |
| 10592BL     | BluLub   | 30  | 3 | On request   | 60 m coils |
| 10594BL     | BluLub   | 30  | 5 | On request   | 60 m coils |
| 10596BL     | BluLub   | 40  | 3 | On request   | 60 m coils |
| 10597BL     | BluLub   | 50  | 3 | On request   | 60 m coils |
| 10506BL     | BluLub   | 60  | 3 | On request   | 60 m coils |
| 10508BL     | BluLub   | 70  | 3 | On request   | 60 m coils |
| 10510BL     | BluLub   | 100 | 3 | On request   | 60 m coils |
| 10502W      | Ti-White | 20  | 3 | On request   | 60 m coils |
| 10504W      | Ti-White | 20  | 5 | On request   | 60 m coils |
| 10595W      | Ti-White | 25  | 3 | On request   | 60 m coils |
| 10592W      | Ti-White | 30  | 3 | On request   | 60 m coils |
| 10594W      | Ti-White | 30  | 5 | On request   | 60 m coils |
| 10596W      | Ti-White | 40  | 3 | On request   | 60 m coils |
| 10597W      | Ti-White | 50  | 3 | On request   | 60 m coils |
| 10506W      | Ti-White | 60  | 3 | On request   | 60 m coils |
| 10508W      | Ti-White | 70  | 3 | On request   | 60 m coils |
| 10510W      | Ti-White | 100 | 3 | On request   | 60 m coils |
| 10501       | Black    | 20  | 3 | Stock item   | 60 m coils |
| 10503       | Black    | 20  | 5 | Stock item   | 60 m coils |
| 10505       | Black    | 60  | 3 | Stock item   | 60 m coils |
| 10507       | Black    | 70  | 3 | Stock item   | 60 m coils |
| 10509       | Black    | 100 | 3 | On request   | 60 m coils |
| 10501B      | Blue     | 20  | 3 | On request   | 60 m coils |
| 10503B      | Blue     | 20  | 5 | On request   | 60 m coils |
| 10505B      | Blue     | 60  | 3 | On request   | 60 m coils |
| 10507B      | Blue     | 70  | 3 | On request   | 60 m coils |
| 10509B      | Blue     | 100 | 3 | On request   | 60 m coils |
| 10502       | Green    | 20  | 3 | Stock item   | 60 m coils |
| 10504       | Green    | 20  | 5 | Stock item   | 60 m coils |
| 10595       | Green    | 25  | 3 | Stock item   | 60 m coils |
| 10592       | Green    | 30  | 3 | On request   | 60 m coils |
| 10594       | Green    | 30  | 5 | Stock item   | 60 m coils |
| 10596       | Green    | 40  | 3 | Stock item   | 60 m coils |
| 10597       | Green    | 50  | 3 | On request   | 60 m coils |
| 10506       | Green    | 60  | 3 | Stock item   | 60 m coils |
| 10508       | Green    | 70  | 3 | Stock item   | 60 m coils |
| 10510       | Green    | 100 | 3 | Stock item   | 60 m coils |

## 106 Profilo guida catena / Flat profile with nose / Flachprofil mit Nase

Delivery: **Easy** Standard

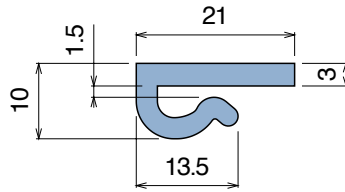
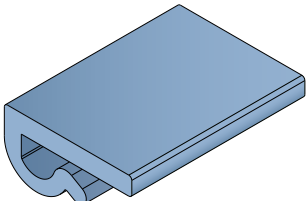


| Article-Nr. | Material | Availability | Supply     |
|-------------|----------|--------------|------------|
| 10604       | BluLub   | On request   | 60 m coils |
| 10601       | Ti-White | Stock item   | 60 m coils |
| 10605       | Blue     | On request   | 60 m coils |
| 10602       | Green    | Stock item   | 60 m coils |

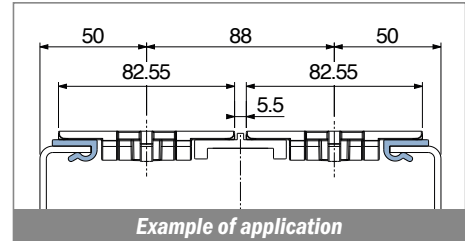


## 103 Profilo "J" / J-Profile / J-Profil

Delivery: **Easy** **Standard** Fit on 2,5 to 3,5 mm

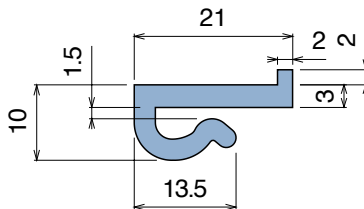
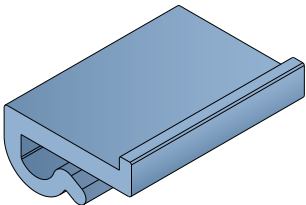


| Article-Nr. | Material        | Availability | Supply     |
|-------------|-----------------|--------------|------------|
| 10300B-30   | <b>BluLub</b>   | Stock item   | 30 m coils |
| 10303       | <b>Ti-White</b> | Stock item   | 60 m coils |
| 10301       | Black           | Stock item   | 60 m coils |
| 10305       | Blue            | On request   | 60 m coils |
| 10302       | Green           | Stock item   | 60 m coils |

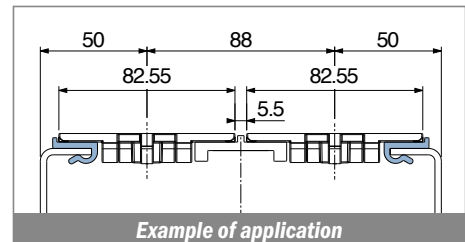


## 104 Profilo "J" / J-Profile / J-Profil

Delivery: **Easy** **Standard** Fit on 2,5 to 3,5 mm

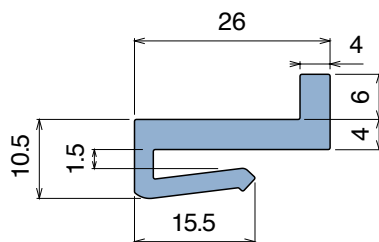
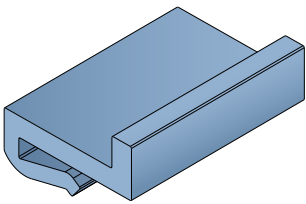


| Article-Nr. | Material        | Availability | Supply     |
|-------------|-----------------|--------------|------------|
| 10400B      | <b>BluLub</b>   | Stock item   | 60 m coils |
| 10403       | <b>Ti-White</b> | On request   | 60 m coils |
| 10401       | Black           | Stock item   | 60 m coils |
| 10405       | Blue            | On request   | 60 m coils |
| 10402       | Green           | Stock item   | 60 m coils |

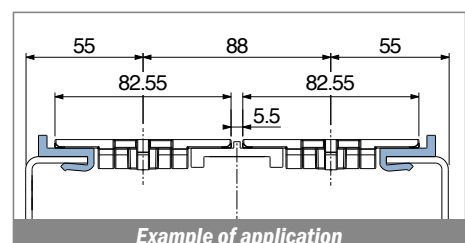


## 179 Profilo "J" / J-Profile / J-Profil

Delivery: **Easy** **Standard** Fit on 2,5 to 3,5 mm



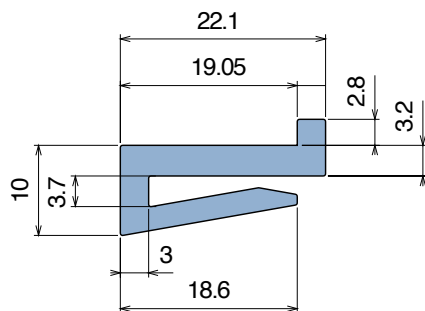
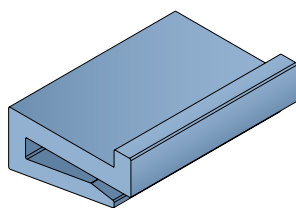
| Article-Nr. | Material        | Availability | Supply     |
|-------------|-----------------|--------------|------------|
| 17902BC     | <b>BluLub</b>   | On request   | 3 m bars   |
| 17902B      | <b>BluLub</b>   | On request   | 6 m bars   |
| 17902B-60   | <b>BluLub</b>   | Stock item   | 60 m coils |
| 17902WC     | <b>Ti-White</b> | On request   | 3 m bars   |
| 17902W      | <b>Ti-White</b> | On request   | 6 m bars   |
| 17902W-60   | <b>Ti-White</b> | On request   | 60 m coils |
| 17901C      | Black           | Stock item   | 3 m bars   |
| 17901       | Black           | On request   | 6 m bars   |
| 17901BC     | Blue            | On request   | 3 m bars   |
| 17901B      | Blue            | On request   | 6 m bars   |
| 17901B-60   | Blue            | On request   | 60 m coils |
| 17902C      | Green           | Stock item   | 3 m bars   |
| 17902       | Green           | On request   | 6 m bars   |
| 17902-60    | Green           | Stock item   | 60 m coils |



## 1014

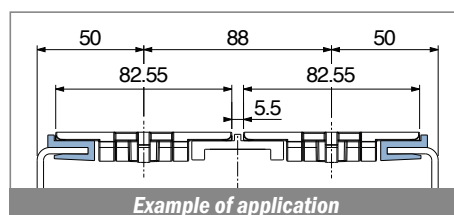
### Profilo "J" / J-Profile / J-Profil

Delivery: **Easy** **Standard** Fit on 3 mm (1/8")



### North America STANDARD

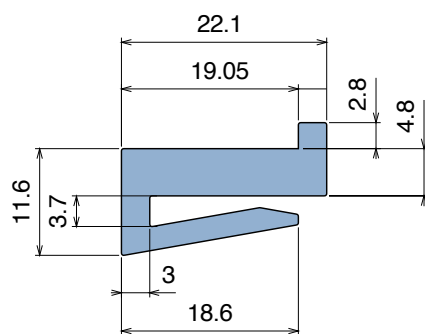
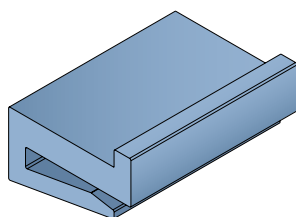
| Article-Nr. | Material | Availability | Supply     |
|-------------|----------|--------------|------------|
| 101400BC    | BluLub   | On request   | 3 m bars   |
| 101400B     | BluLub   | On request   | 6 m bars   |
| 101400B-30  | BluLub   | On request   | 30 m coils |
| 101403C     | Ti-White | Stock item   | 3 m bars   |
| 101403      | Ti-White | On request   | 6 m bars   |
| 101403-30   | Ti-White | Stock item   | 30 m coils |
| 101405C     | Blue     | On request   | 3 m bars   |
| 101405      | Blue     | On request   | 6 m bars   |
| 101405-30   | Blue     | On request   | 30 m coils |



## 1015

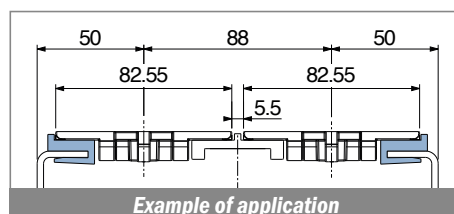
### Profilo "J" / J-Profile / J-Profil

Delivery: **Easy** **Standard** Fit on 2,5 to 3,5 mm (1/8")



### North America STANDARD

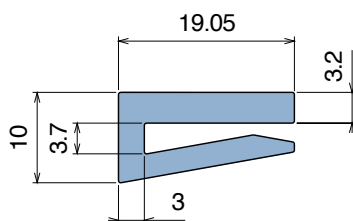
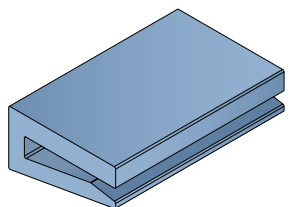
| Article-Nr. | Material | Availability | Supply     |
|-------------|----------|--------------|------------|
| 101500BC    | BluLub   | On request   | 3 m bars   |
| 101500B     | BluLub   | On request   | 6 m bars   |
| 101500B-30  | BluLub   | On request   | 30 m coils |
| 101503C     | Ti-White | On request   | 3 m bars   |
| 101503      | Ti-White | On request   | 6 m bars   |
| 101503-30   | Ti-White | On request   | 30 m coils |
| 101505C     | Blue     | On request   | 3 m bars   |
| 101505      | Blue     | On request   | 6 m bars   |
| 101505-30   | Blue     | On request   | 30 m coils |



## 1016

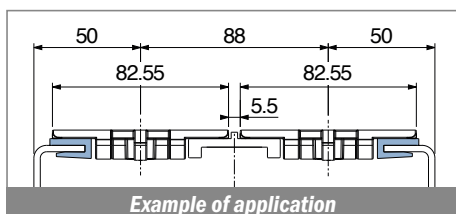
### Profilo "J" / J-Profile / J-Profil

Delivery: **Easy** **Standard** Fit on 3 mm (1/8")



### North America STANDARD

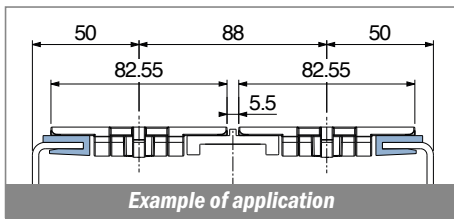
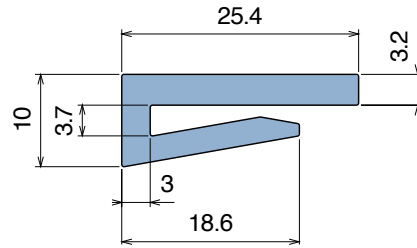
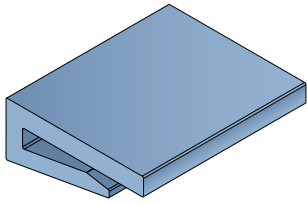
| Article-Nr. | Material | Availability | Supply     |
|-------------|----------|--------------|------------|
| 101600BC    | BluLub   | On request   | 3 m bars   |
| 101600B     | BluLub   | On request   | 6 m bars   |
| 101600B-30  | BluLub   | On request   | 30 m coils |
| 101603C     | Ti-White | Stock item   | 3 m bars   |
| 101603      | Ti-White | On request   | 6 m bars   |
| 101603-30   | Ti-White | Stock item   | 30 m coils |
| 101601C     | Black    | On request   | 3 m bars   |
| 101601      | Black    | On request   | 6 m bars   |
| 101601-30   | Black    | On request   | 30 m coils |
| 101605C     | Blue     | On request   | 3 m bars   |
| 101605      | Blue     | On request   | 6 m bars   |
| 101605-30   | Blue     | On request   | 30 m coils |
| 101602C     | Green    | On request   | 3 m bars   |
| 101602      | Green    | On request   | 6 m bars   |
| 101602-30   | Green    | On request   | 30 m coils |



## 1017

### Profilo "J" / J-Profile / J-Profil

Delivery: **Easy** **Standard** Fit on 3 mm (1/8")



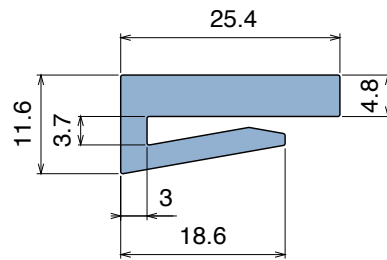
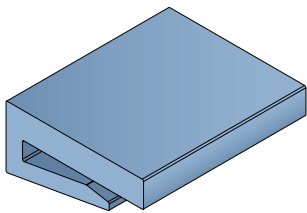
### North America STANDARD

| Article-Nr. | Material | Availability | Supply     |
|-------------|----------|--------------|------------|
| 101700BC    | BluLub   | On request   | 3 m bars   |
| 101700B     | BluLub   | On request   | 6 m bars   |
| 101700B-30  | BluLub   | On request   | 30 m coils |
| 101703C     | Ti-White | Stock item   | 3 m bars   |
| 101703      | Ti-White | On request   | 6 m bars   |
| 101703-30   | Ti-White | Stock item   | 30 m coils |
| 101701C     | Black    | On request   | 3 m bars   |
| 101701      | Black    | On request   | 6 m bars   |
| 101701-30   | Black    | On request   | 30 m coils |
| 101705C     | Blue     | On request   | 3 m bars   |
| 101705      | Blue     | On request   | 6 m bars   |
| 101705-30   | Blue     | On request   | 30 m coils |
| 101702C     | Green    | On request   | 3 m bars   |
| 101702      | Green    | On request   | 6 m bars   |
| 101702-30   | Green    | On request   | 30 m coils |

## 1018

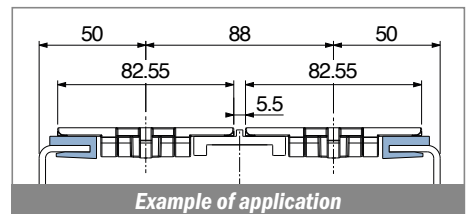
### Profilo "J" / J-Profile / J-Profil

Delivery: **Easy** **Standard** Fit on 3 mm (1/8")



### North America STANDARD

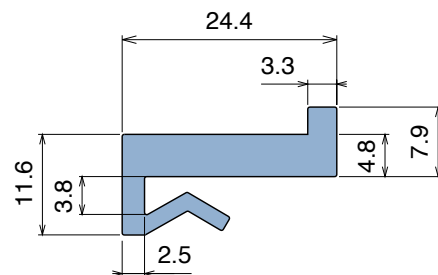
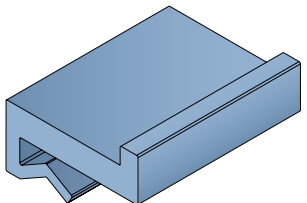
| Article-Nr. | Material | Availability | Supply     |
|-------------|----------|--------------|------------|
| 101800BC    | BluLub   | On request   | 3 m bars   |
| 101800B     | BluLub   | On request   | 6 m bars   |
| 101800B-30  | BluLub   | On request   | 30 m coils |
| 101803C     | Ti-White | Stock item   | 3 m bars   |
| 101803      | Ti-White | On request   | 6 m bars   |
| 101803-30   | Ti-White | On request   | 30 m coils |
| 101805C     | Blue     | On request   | 3 m bars   |
| 101805      | Blue     | On request   | 6 m bars   |
| 101805-30   | Blue     | On request   | 30 m coils |



## 1019

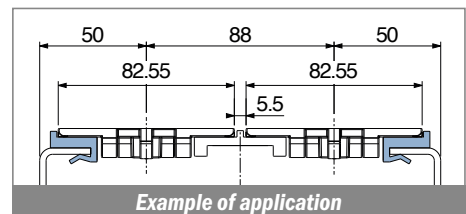
### Profilo "J" / J-Profile / J-Profil

Delivery: **Easy** **Standard** Fit on 3 mm (1/8")



### North America STANDARD

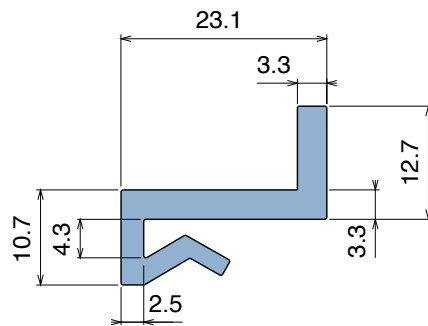
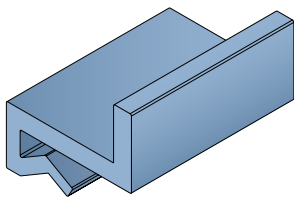
| Article-Nr. | Material | Availability | Supply     |
|-------------|----------|--------------|------------|
| 101900BC    | BluLub   | On request   | 3 m bars   |
| 101900B     | BluLub   | On request   | 6 m bars   |
| 101900B-30  | BluLub   | On request   | 30 m coils |
| 101903C     | Ti-White | Stock item   | 3 m bars   |
| 101903      | Ti-White | On request   | 6 m bars   |
| 101903-30   | Ti-White | On request   | 30 m coils |
| 101905C     | Blue     | On request   | 3 m bars   |
| 101905      | Blue     | On request   | 6 m bars   |
| 101905-30   | Blue     | On request   | 30 m coils |



## 1020

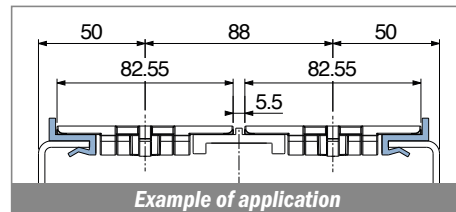
### Profilo "J" / J-Profile / J-Profil

Delivery: **Easy** **Standard** Fit on 3 mm (1/8")



### North America STANDARD

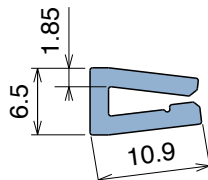
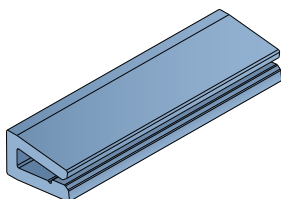
| Article-Nr. | Material | Availability | Supply   |
|-------------|----------|--------------|----------|
| 102000BC    | BluLub   | On request   | 3 m bars |
| 102000B     | BluLub   | On request   | 6 m bars |
| 102003C     | Ti-White | Stock item   | 3 m bars |
| 102003      | Ti-White | Stock item   | 6 m bars |
| 102001C     | Black    | On request   | 3 m bars |
| 102001      | Black    | On request   | 6 m bars |
| 102005C     | Blue     | On request   | 3 m bars |
| 102005      | Blue     | On request   | 6 m bars |
| 102002C     | Green    | On request   | 3 m bars |
| 102002      | Green    | On request   | 6 m bars |



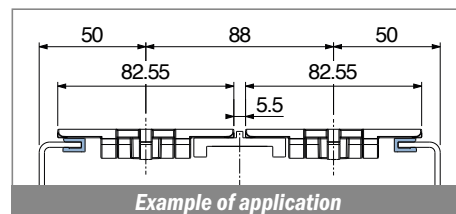
## 1068

### Profilo "J" / J-Profile / J-Profil

Delivery: **Easy** **Standard** Fit on 1,8 to 2 mm



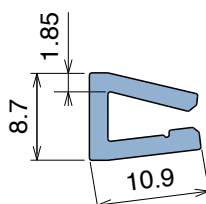
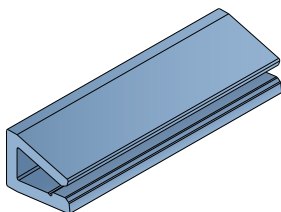
| Article-Nr. | Material | Availability | Supply     |
|-------------|----------|--------------|------------|
| 106800B     | BluLub   | Stock item   | 30 m coils |
| 106802      | Ti-White | On request   | 30 m coils |
| 106805      | Blue     | On request   | 30 m coils |



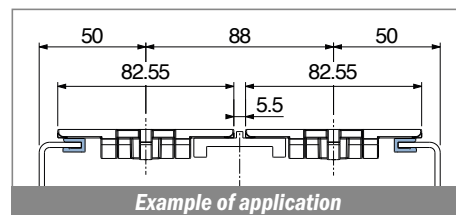
## NEW 1090

### Profilo "J" / J-Profile / J-Profil

Delivery: **Easy** **Standard** Fit on 1,8 to 2 mm



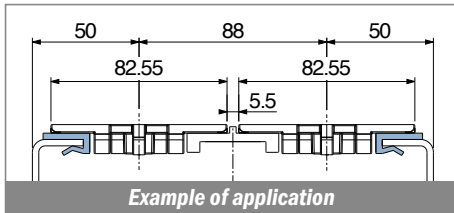
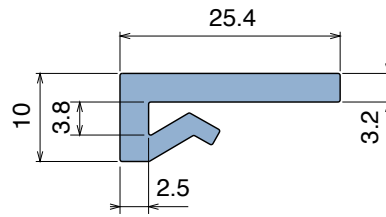
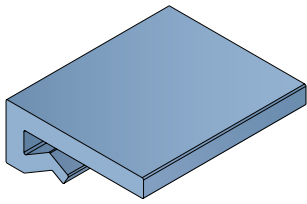
| Article-Nr. | Material | Availability | Supply     |
|-------------|----------|--------------|------------|
| 109000B     | BluLub   | On request   | 30 m coils |
| 109002      | Ti-White | On request   | 30 m coils |
| 109005      | Blue     | On request   | 30 m coils |



## 1021

### Profilo "J" / J-Profile / J-Profil

Delivery: **Easy** **Standard** Fit on 3 mm (1/8")



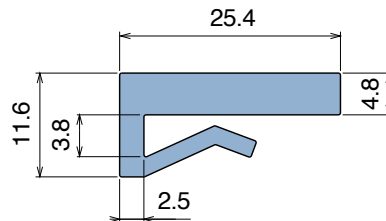
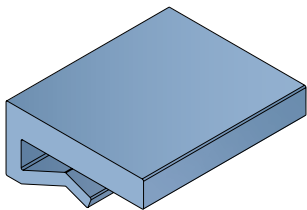
### North America STANDARD

| Article-Nr. | Material | Availability | Supply     |
|-------------|----------|--------------|------------|
| 102100BC    | BluLub   | On request   | 3 m bars   |
| 102100B     | BluLub   | On request   | 6 m bars   |
| 102100B-30  | BluLub   | On request   | 30 m coils |
| 102103C     | Ti-White | Stock item   | 3 m bars   |
| 102103      | Ti-White | On request   | 6 m bars   |
| 102103-30   | Ti-White | Stock item   | 30 m coils |
| 102101C     | Black    | On request   | 3 m bars   |
| 102101      | Black    | On request   | 6 m bars   |
| 102101-30   | Black    | On request   | 30 m coils |
| 102105C     | Blue     | On request   | 3 m bars   |
| 102105      | Blue     | On request   | 6 m bars   |
| 102105-30   | Blue     | On request   | 30 m coils |
| 102102C     | Green    | On request   | 3 m bars   |
| 102102      | Green    | On request   | 6 m bars   |
| 102102-30   | Green    | On request   | 30 m coils |

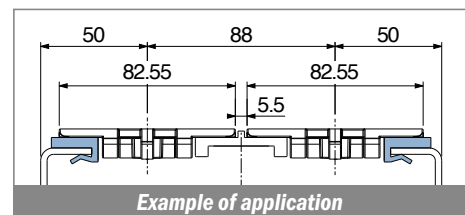
## 1022

### Profilo "J" / J-Profile / J-Profil

Delivery: **Easy** **Standard** Fit on 3 mm (1/8")



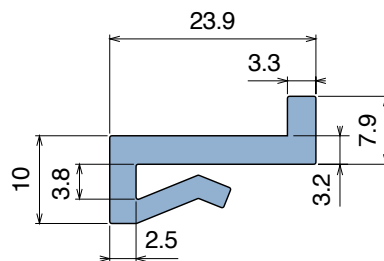
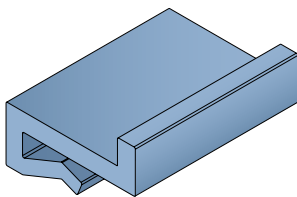
| Article-Nr. | Material | Availability | Supply     |
|-------------|----------|--------------|------------|
| 102200BC    | BluLub   | On request   | 3 m bars   |
| 102200B     | BluLub   | On request   | 6 m bars   |
| 102200B-30  | BluLub   | On request   | 30 m coils |
| 102203C     | Ti-White | Stock item   | 3 m bars   |
| 102203      | Ti-White | On request   | 6 m bars   |
| 102203-30   | Ti-White | On request   | 30 m coils |
| 102205C     | Blue     | On request   | 3 m bars   |
| 102205      | Blue     | On request   | 6 m bars   |
| 102205-30   | Blue     | On request   | 30 m coils |



## 1023

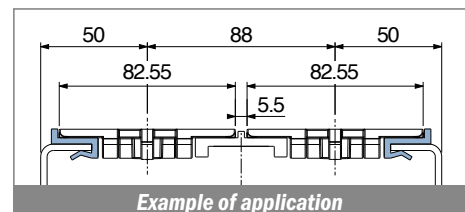
### Profilo "J" / J-Profile / J-Profil

Delivery: **Easy** **Standard** Fit on 3 mm (1/8")



### North America STANDARD

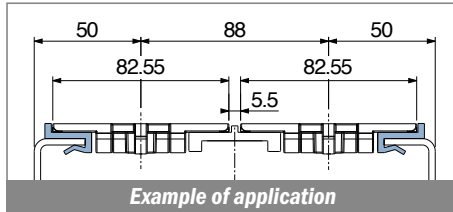
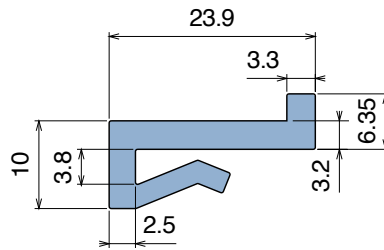
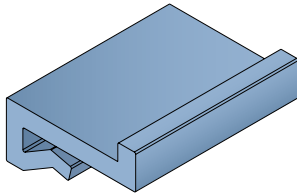
| Article-Nr. | Material | Availability | Supply   |
|-------------|----------|--------------|----------|
| 102300BC    | BluLub   | On request   | 3 m bars |
| 102300B     | BluLub   | On request   | 6 m bars |
| 102303C     | Ti-White | Stock item   | 3 m bars |
| 102303      | Ti-White | On request   | 6 m bars |
| 102305C     | Blue     | On request   | 3 m bars |
| 102305      | Blue     | On request   | 6 m bars |



## 1024

### Profilo "J" / J-Profile / J-Profil

Delivery: **Easy** **Standard** Fit on 3 mm (1/8")



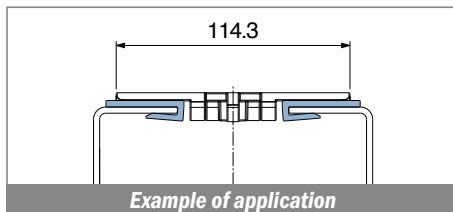
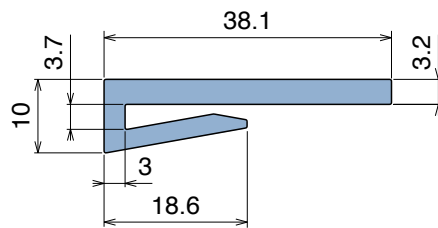
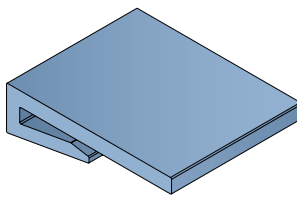
### North America STANDARD

| Article-Nr. | Material | Availability | Supply     |
|-------------|----------|--------------|------------|
| 102400BC    | BluLub   | On request   | 3 m bars   |
| 102400B     | BluLub   | On request   | 6 m bars   |
| 102400B-30  | BluLub   | On request   | 30 m coils |
| 102403C     | Ti-White | Stock item   | 3 m bars   |
| 102403      | Ti-White | On request   | 6 m bars   |
| 102403-30   | Ti-White | Stock item   | 30 m coils |
| 102401C     | Black    | On request   | 3 m bars   |
| 102401      | Black    | On request   | 6 m bars   |
| 102401-30   | Black    | On request   | 30 m coils |
| 102405C     | Blue     | On request   | 3 m bars   |
| 102405      | Blue     | On request   | 6 m bars   |
| 102405-30   | Blue     | On request   | 30 m coils |
| 102402C     | Green    | Stock item   | 3 m bars   |
| 102402      | Green    | Stock item   | 6 m bars   |
| 102402-30   | Green    | On request   | 30 m coils |

## 1025

### Profilo "J" / J-Profile / J-Profil

Delivery: **Easy** **Standard** Fit on 3 mm (1/8")



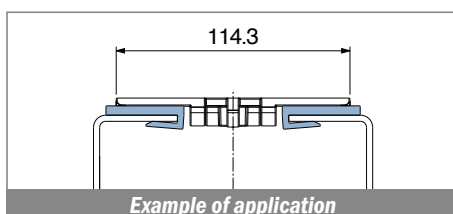
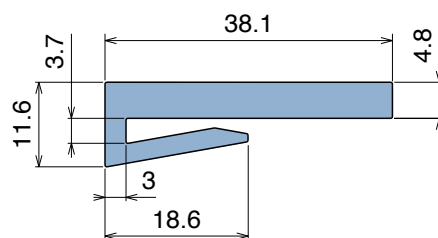
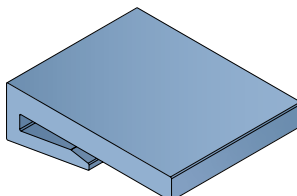
### North America STANDARD

| Article-Nr. | Material | Availability | Supply     |
|-------------|----------|--------------|------------|
| 102500BC    | BluLub   | On request   | 3 m bars   |
| 102500B     | BluLub   | On request   | 6 m bars   |
| 102500B-30  | BluLub   | On request   | 30 m coils |
| 102503C     | Ti-White | Stock item   | 3 m bars   |
| 102503      | Ti-White | On request   | 6 m bars   |
| 102503-30   | Ti-White | Stock item   | 30 m coils |
| 102501C     | Black    | On request   | 3 m bars   |
| 102501      | Black    | On request   | 6 m bars   |
| 102501-30   | Black    | On request   | 30 m coils |
| 102505C     | Blue     | On request   | 3 m bars   |
| 102505      | Blue     | On request   | 6 m bars   |
| 102505-30   | Blue     | On request   | 30 m coils |
| 102502C     | Green    | On request   | 3 m bars   |
| 102502      | Green    | On request   | 6 m bars   |
| 102502-30   | Green    | On request   | 30 m coils |

## 1026

### Profilo "J" / J-Profile / J-Profil

Delivery: **Easy** **Standard** Fit on 3 mm (1/8")



### North America STANDARD

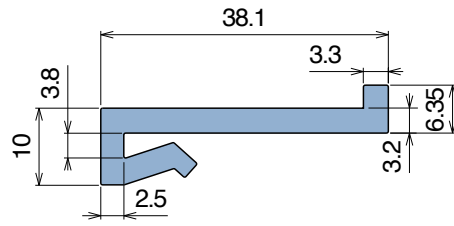
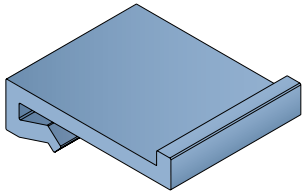
| Article-Nr. | Material | Availability | Supply     |
|-------------|----------|--------------|------------|
| 102600BC    | BluLub   | On request   | 3 m bars   |
| 102600B     | BluLub   | On request   | 6 m bars   |
| 102600B-30  | BluLub   | On request   | 30 m coils |
| 102603C     | Ti-White | Stock item   | 3 m bars   |
| 102603      | Ti-White | On request   | 6 m bars   |
| 102603-30   | Ti-White | On request   | 30 m coils |
| 102605C     | Blue     | On request   | 3 m bars   |
| 102605      | Blue     | On request   | 6 m bars   |
| 102605-30   | Blue     | On request   | 30 m coils |



## 1027

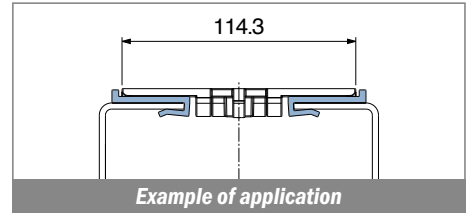
### Profilo "J" / J-Profile / J-Profil

Delivery: **Easy** **Standard** Fit on 3 mm (1/8")



### North America STANDARD

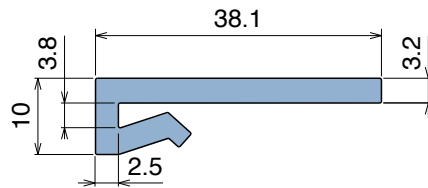
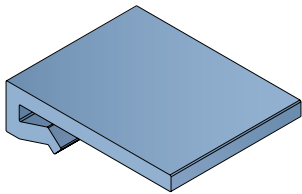
| Article-Nr. | Material | Availability | Supply     |
|-------------|----------|--------------|------------|
| 102700BC    | BluLub   | On request   | 3 m bars   |
| 102700B     | BluLub   | On request   | 6 m bars   |
| 102700B-30  | BluLub   | On request   | 30 m coils |
| 102703C     | Ti-White | Stock item   | 3 m bars   |
| 102703      | Ti-White | On request   | 6 m bars   |
| 102703-30   | Ti-White | On request   | 30 m coils |
| 102705C     | Blue     | On request   | 3 m bars   |
| 102705      | Blue     | On request   | 6 m bars   |
| 102705-30   | Blue     | On request   | 30 m coils |



## 1028

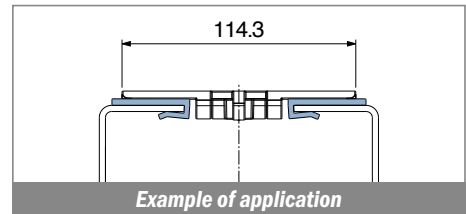
### Profilo "J" / J-Profile / J-Profil

Delivery: **Easy** **Standard** Fit on 3 mm (1/8")



### North America STANDARD

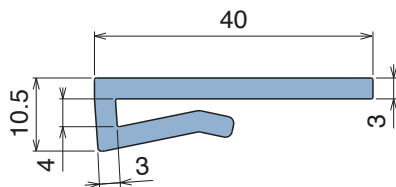
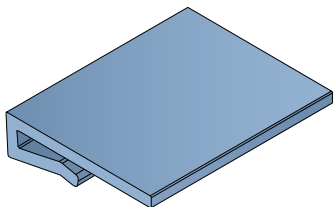
| Article-Nr. | Material | Availability | Supply     |
|-------------|----------|--------------|------------|
| 102800BC    | BluLub   | On request   | 3 m bars   |
| 102800B     | BluLub   | On request   | 6 m bars   |
| 102800B-30  | BluLub   | On request   | 30 m coils |
| 102803C     | Ti-White | Stock item   | 3 m bars   |
| 102803      | Ti-White | On request   | 6 m bars   |
| 102803-30   | Ti-White | Stock item   | 30 m coils |
| 102805C     | Blue     | On request   | 3 m bars   |
| 102805      | Blue     | On request   | 6 m bars   |
| 102805-30   | Blue     | On request   | 30 m coils |



## 1046

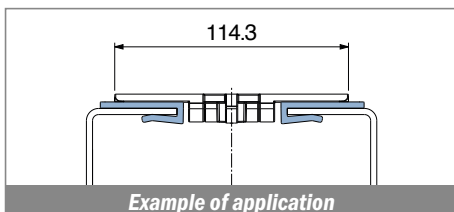
### Profilo "J" / J-Profile / J-Profil

Delivery: **Easy** **Standard** Fit on 3 mm (1/8")



### North America STANDARD

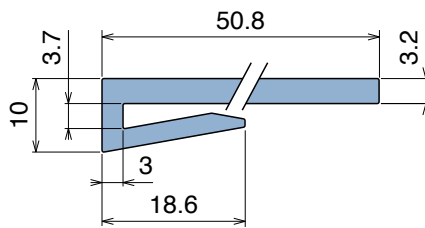
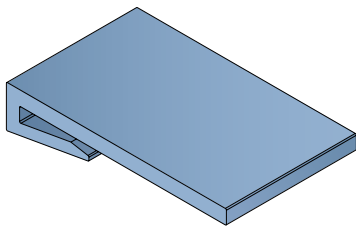
| Article-Nr. | Material | Availability | Supply     |
|-------------|----------|--------------|------------|
| 104600BC    | BluLub   | On request   | 3 m bars   |
| 104600B     | BluLub   | On request   | 6 m bars   |
| 104600B-30  | BluLub   | Stock item   | 30 m coils |
| 104603C     | Ti-White | Stock item   | 3 m bars   |
| 104603      | Ti-White | On request   | 6 m bars   |
| 104603-30   | Ti-White | Stock item   | 30 m coils |
| 104601C     | Black    | On request   | 3 m bars   |
| 104601      | Black    | On request   | 6 m bars   |
| 104601-30   | Black    | On request   | 30 m coils |
| 104605C     | Blue     | On request   | 3 m bars   |
| 104605      | Blue     | On request   | 6 m bars   |
| 104605-30   | Blue     | On request   | 30 m coils |
| 104602C     | Green    | Stock item   | 3 m bars   |
| 104602      | Green    | On request   | 6 m bars   |
| 104602-30   | Green    | Stock item   | 30 m coils |



## 1029

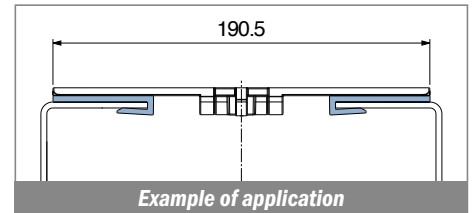
### Profilo "J" / J-Profile / J-Profil

Delivery: **Easy** **Standard** Fit on 3 mm (1/8")



### North America STANDARD

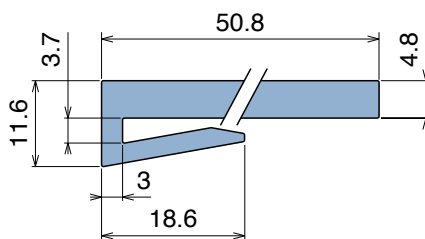
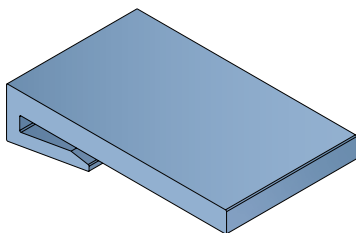
| Article-Nr. | Material | Availability | Supply     |
|-------------|----------|--------------|------------|
| 102900BC    | BluLub   | On request   | 3 m bars   |
| 102900B     | BluLub   | On request   | 6 m bars   |
| 102900B-30  | BluLub   | On request   | 30 m coils |
| 102903C     | Ti-White | Stock item   | 3 m bars   |
| 102903      | Ti-White | On request   | 6 m bars   |
| 102903-30   | Ti-White | On request   | 30 m coils |
| 102905C     | Blue     | On request   | 3 m bars   |
| 102905      | Blue     | On request   | 6 m bars   |
| 102905-30   | Blue     | On request   | 30 m coils |



## 1030

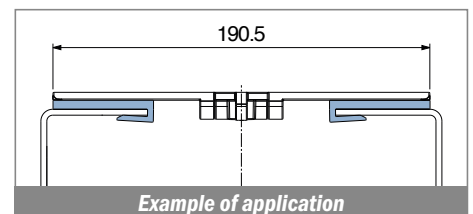
### Profilo "J" / J-Profile / J-Profil

Delivery: **Easy** **Standard** Fit on 3 mm (1/8")



### North America STANDARD

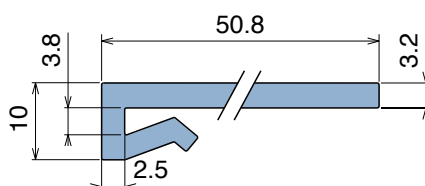
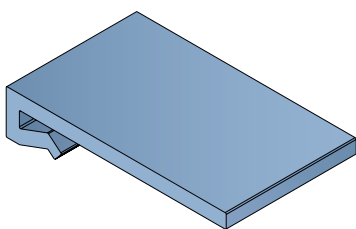
| Article-Nr. | Material | Availability | Supply   |
|-------------|----------|--------------|----------|
| 103000BC    | BluLub   | On request   | 3 m bars |
| 103000B     | BluLub   | On request   | 6 m bars |
| 103003C     | Ti-White | Stock item   | 3 m bars |
| 103003      | Ti-White | On request   | 6 m bars |
| 103005C     | Blue     | On request   | 3 m bars |
| 103005      | Blue     | On request   | 6 m bars |



## 1031

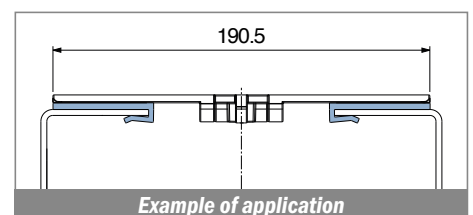
### Profilo "J" / J-Profile / J-Profil

Delivery: **Easy** **Standard** Fit on 3 mm (1/8")



### North America STANDARD

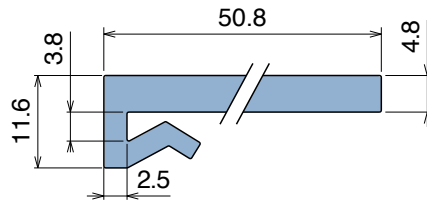
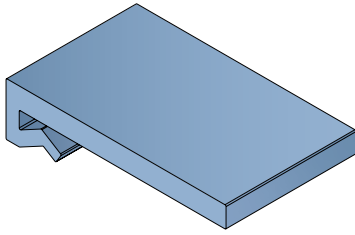
| Article-Nr. | Material | Availability | Supply   |
|-------------|----------|--------------|----------|
| 103100BC    | BluLub   | Stock item   | 3 m bars |
| 103100B     | BluLub   | On request   | 6 m bars |
| 103103C     | Ti-White | Stock item   | 3 m bars |
| 103103      | Ti-White | Stock item   | 6 m bars |
| 103105C     | Blue     | On request   | 3 m bars |
| 103105      | Blue     | On request   | 6 m bars |



## 1032

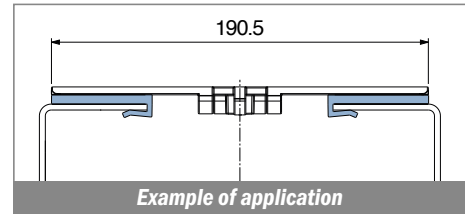
### Profilo "J" / J-Profile / J-Profil

Delivery: **Easy** **Standard** Fit on 3 mm (1/8")



### North America STANDARD

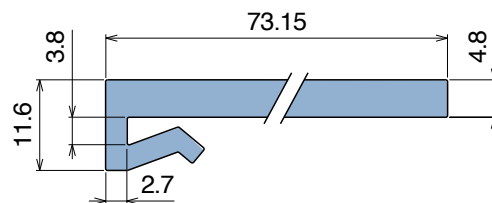
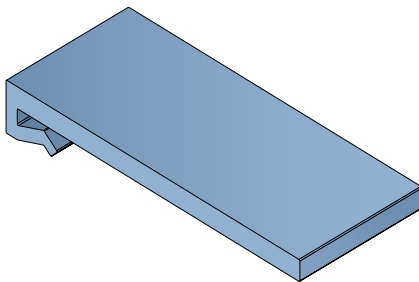
| Article-Nr. | Material | Availability | Supply   |
|-------------|----------|--------------|----------|
| 103200BC    | BluLub   | On request   | 3 m bars |
| 103200B     | BluLub   | On request   | 6 m bars |
| 103203C     | Ti-White | Stock item   | 3 m bars |
| 103203      | Ti-White | On request   | 6 m bars |
| 103205C     | Blue     | On request   | 3 m bars |
| 103205      | Blue     | On request   | 6 m bars |



## 1035

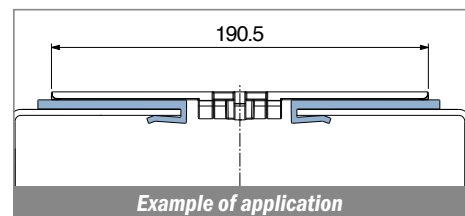
### Profilo "J" / J-Profile / J-Profil

Delivery: **Easy** **Standard** Fit on 3 mm (1/8")



### North America STANDARD

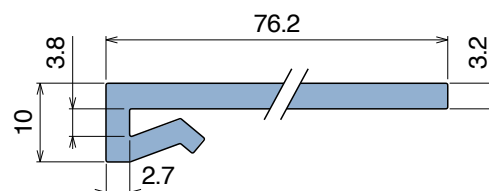
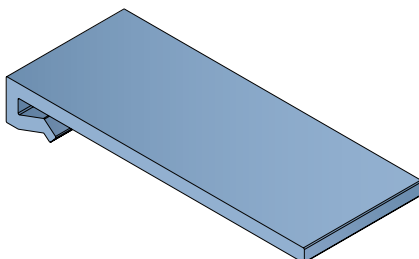
| Article-Nr. | Material | Availability | Supply   |
|-------------|----------|--------------|----------|
| 103500BC    | BluLub   | On request   | 3 m bars |
| 103500B     | BluLub   | On request   | 6 m bars |
| 103503C     | Ti-White | Stock item   | 3 m bars |
| 103503      | Ti-White | On request   | 6 m bars |
| 103505C     | Blue     | On request   | 3 m bars |
| 103505      | Blue     | On request   | 6 m bars |



## 1033

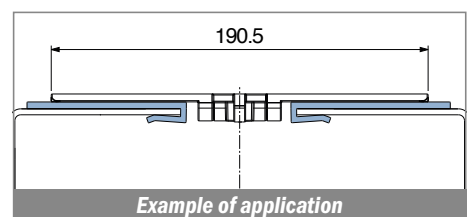
### Profilo "J" / J-Profile / J-Profil

Delivery: **Easy** **Standard** Fit on 3 mm (1/8")



### North America STANDARD

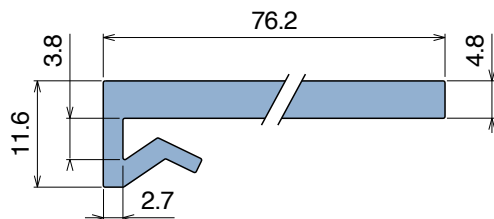
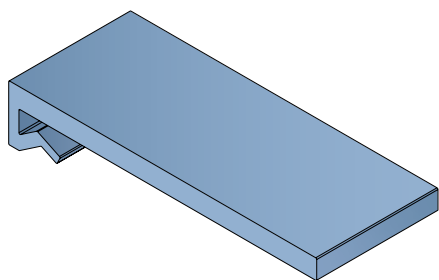
| Article-Nr. | Material | Availability | Supply   |
|-------------|----------|--------------|----------|
| 103300BC    | BluLub   | Stock item   | 3 m bars |
| 103300B     | BluLub   | On request   | 6 m bars |
| 103303C     | Ti-White | Stock item   | 3 m bars |
| 103303      | Ti-White | On request   | 6 m bars |
| 103305C     | Blue     | On request   | 3 m bars |
| 103305      | Blue     | On request   | 6 m bars |



## 1034

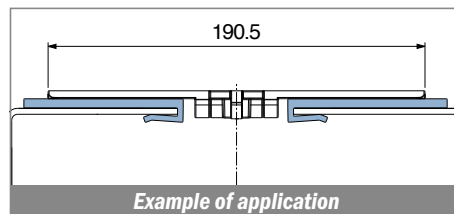
### Profilo "J" / J-Profile / J-Profil

Delivery: **Easy** **Standard** Fit on 3 mm (1/8")



### North America STANDARD

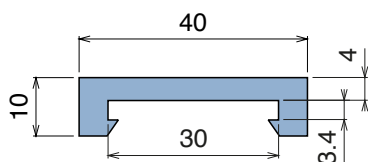
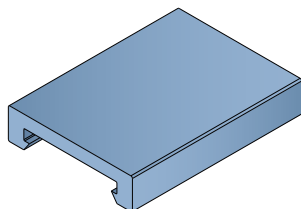
| Article-Nr. | Material | Availability | Supply   |
|-------------|----------|--------------|----------|
| 103400BC    | BluLub   | On request   | 3 m bars |
| 103400B     | BluLub   | On request   | 6 m bars |
| 103403C     | Ti-White | Stock item   | 3 m bars |
| 103403      | Ti-White | On request   | 6 m bars |
| 103405C     | Blue     | On request   | 3 m bars |
| 103405      | Blue     | On request   | 6 m bars |



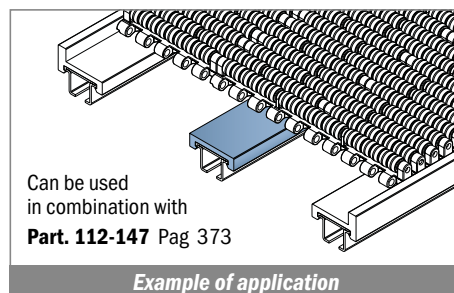
## 109

### Profilo "U" / U-Profile / U-Profil

Delivery: **Easy** **Standard**



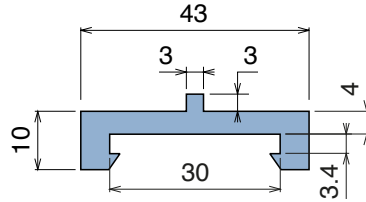
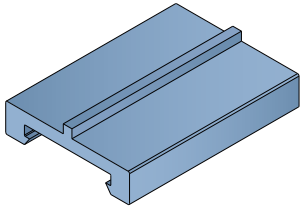
| Article-Nr. | Material | Availability | Supply     |
|-------------|----------|--------------|------------|
| 10901BC     | BluLub   | Stock item   | 3 m bars   |
| 10901B      | BluLub   | On request   | 6 m bars   |
| 10901B-30   | BluLub   | On request   | 30 m coils |
| 10903C      | Ti-White | Stock item   | 3 m bars   |
| 10903       | Ti-White | Stock item   | 6 m bars   |
| 10903-30    | Ti-White | On request   | 30 m coils |
| 10901C      | Black    | Stock item   | 3 m bars   |
| 10901       | Black    | Stock item   | 6 m bars   |
| 10901-30    | Black    | Stock item   | 30 m coils |
| 10905C      | Blue     | On request   | 3 m bars   |
| 10905       | Blue     | On request   | 6 m bars   |
| 10905-30    | Blue     | On request   | 30 m coils |
| 10902C      | Green    | Stock item   | 3 m bars   |
| 10902       | Green    | Stock item   | 6 m bars   |
| 10902-30    | Green    | On request   | 30 m coils |



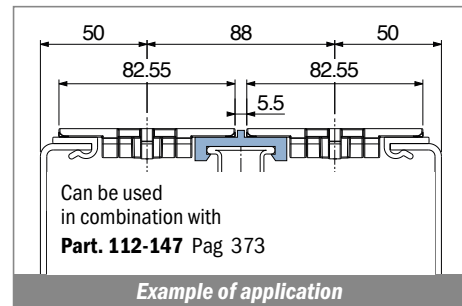
## 110

### Profilo "U" / U-Profile / U-Profil

Delivery: **Easy** **Standard**



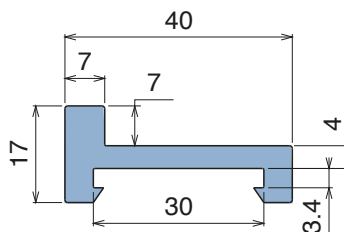
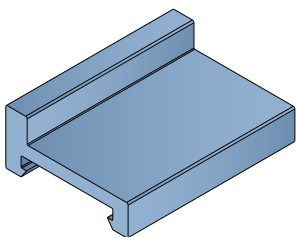
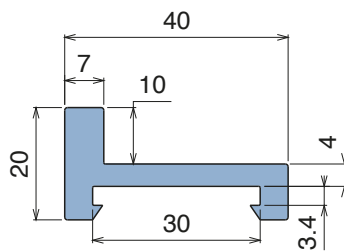
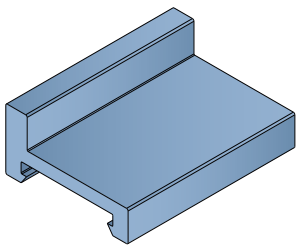
| Article-Nr. | Material        | Availability | Supply     |
|-------------|-----------------|--------------|------------|
| 11000BC     | <i>BluLub</i>   | On request   | 3 m bars   |
| 11000B      | <i>BluLub</i>   | On request   | 6 m bars   |
| 11000B-30   | <i>BluLub</i>   | On request   | 30 m coils |
| 11003C      | <i>Ti-White</i> | On request   | 3 m bars   |
| 11003       | <i>Ti-White</i> | On request   | 6 m bars   |
| 11003-30    | <i>Ti-White</i> | On request   | 30 m coils |
| 11001C      | Black           | Stock item   | 3 m bars   |
| 11001       | Black           | On request   | 6 m bars   |
| 11001-30    | Black           | On request   | 30 m coils |
| 11005C      | Blue            | On request   | 3 m bars   |
| 11005       | Blue            | On request   | 6 m bars   |
| 11005-30    | Blue            | On request   | 30 m coils |
| 11002C      | Green           | Stock item   | 3 m bars   |
| 11002       | Green           | On request   | 6 m bars   |
| 11002-30    | Green           | On request   | 30 m coils |



## 156

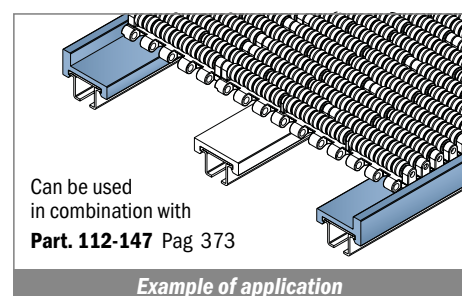
### Profilo "U" / U-Profile / U-Profil

Delivery: **Easy** **Standard**



| Article-Nr. | Material        | Availability | Supply   |
|-------------|-----------------|--------------|----------|
| 15601BC     | <i>BluLub</i>   | On request   | 3 m bars |
| 15601B      | <i>BluLub</i>   | On request   | 6 m bars |
| 15603C      | <i>Ti-White</i> | On request   | 3 m bars |
| 15603       | <i>Ti-White</i> | On request   | 6 m bars |
| 15601C      | Black           | Stock item   | 3 m bars |
| 15601       | Black           | On request   | 6 m bars |
| 15605C      | Blue            | On request   | 3 m bars |
| 15605       | Blue            | On request   | 6 m bars |
| 15602C      | Green           | Stock item   | 3 m bars |
| 15602       | Green           | On request   | 6 m bars |

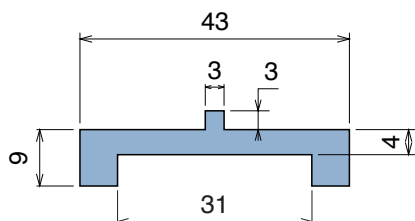
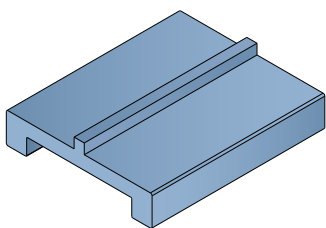
| Article-Nr. | Material        | Availability | Supply   |
|-------------|-----------------|--------------|----------|
| 15699BC     | <i>BluLub</i>   | Stock item   | 3 m bars |
| 15699WC     | <i>Ti-White</i> | On request   | 3 m bars |
| 15699NC     | Black           | On request   | 3 m bars |
| 15694C      | Blue            | On request   | 3 m bars |
| 15699C      | Green           | Stock item   | 3 m bars |



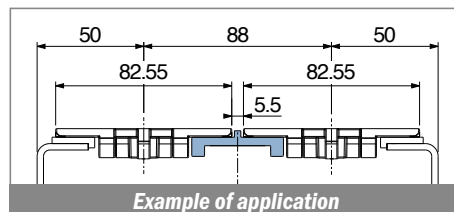
## 149

### Profilo "U" / U-Profile / U-Profil

Delivery: **Easy** **Standard** Coils available



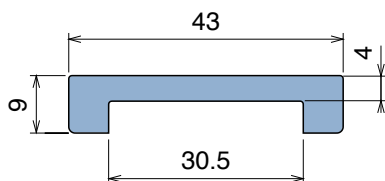
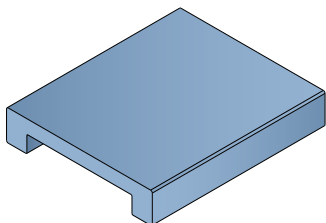
| Article-Nr. | Material        | Availability | Supply   |
|-------------|-----------------|--------------|----------|
| 14950BC     | <b>BluLub</b>   | On request   | 3 m bars |
| 14950B      | <b>BluLub</b>   | On request   | 6 m bars |
| 14953C      | <b>Ti-White</b> | On request   | 3 m bars |
| 14953       | <b>Ti-White</b> | On request   | 6 m bars |
| 14950C      | Black           | Stock item   | 3 m bars |
| 14950       | Black           | On request   | 6 m bars |
| 14955C      | Blue            | On request   | 3 m bars |
| 14955       | Blue            | On request   | 6 m bars |
| 14952C      | Green           | Stock item   | 3 m bars |
| 14952       | Green           | On request   | 6 m bars |



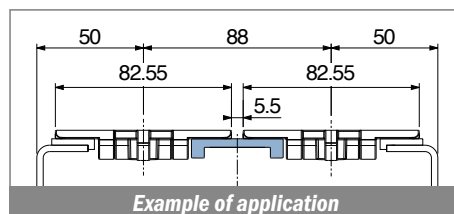
## 177

### Profilo "U" / U-Profile / U-Profil

Delivery: **Easy** **Standard**



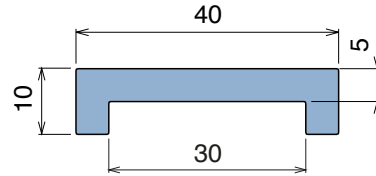
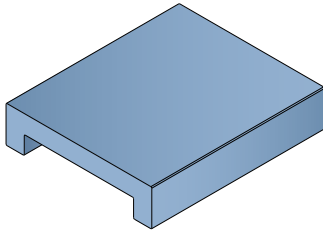
| Article-Nr. | Material        | Availability | Supply     |
|-------------|-----------------|--------------|------------|
| 17701BC     | <b>BluLub</b>   | Stock item   | 3 m bars   |
| 17701B      | <b>BluLub</b>   | On request   | 6 m bars   |
| 17701B-30   | <b>BluLub</b>   | On request   | 30 m coils |
| 17703C      | <b>Ti-White</b> | On request   | 3 m bars   |
| 17703       | <b>Ti-White</b> | On request   | 6 m bars   |
| 17703-30    | <b>Ti-White</b> | On request   | 30 m coils |
| 17701C      | Black           | Stock item   | 3 m bars   |
| 17701       | Black           | Stock item   | 6 m bars   |
| 17701-30    | Black           | On request   | 30 m coils |
| 17705C      | Blue            | On request   | 3 m bars   |
| 17705       | Blue            | On request   | 6 m bars   |
| 17705-30    | Blue            | On request   | 30 m coils |
| 17702C      | Green           | Stock item   | 3 m bars   |
| 17702       | Green           | On request   | 6 m bars   |
| 17702-30    | Green           | On request   | 30 m coils |



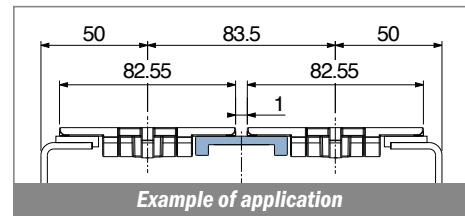
## 1059

### Profilo "U" / U-Profile / U-Profil

Delivery: **Easy** **Standard** Coils available



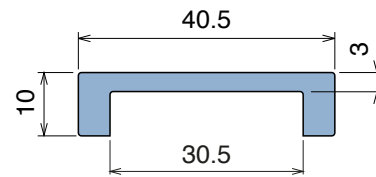
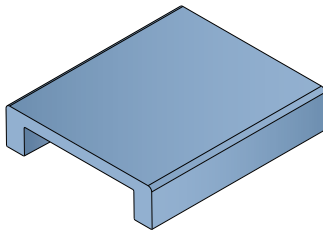
| Article-Nr. | Material        | Availability | Supply     |
|-------------|-----------------|--------------|------------|
| 105901BC    | <i>BluLub</i>   | Stock item   | 3 m bars   |
| 105901B     | <i>BluLub</i>   | On request   | 6 m bars   |
| 105901B-30  | <i>BluLub</i>   | On request   | 30 m coils |
| 105903C     | <i>Ti-White</i> | On request   | 3 m bars   |
| 105903      | <i>Ti-White</i> | On request   | 6 m bars   |
| 105903-30   | <i>Ti-White</i> | On request   | 30 m coils |
| 105901C     | Black           | Stock item   | 3 m bars   |
| 105901      | Black           | On request   | 6 m bars   |
| 105901-30   | Black           | On request   | 30 m coils |
| 105905C     | Blue            | On request   | 3 m bars   |
| 105905      | Blue            | On request   | 6 m bars   |
| 105905-30   | Blue            | On request   | 30 m coils |
| 105902C     | Green           | Stock item   | 3 m bars   |
| 105902      | Green           | On request   | 6 m bars   |
| 105902-30   | Green           | On request   | 30 m coils |



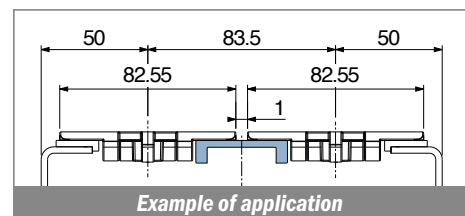
## 178

### Profilo "U" / U-Profile / U-Profil

Delivery: **Easy** **Standard** Coils available



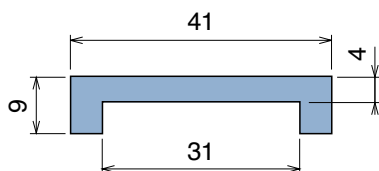
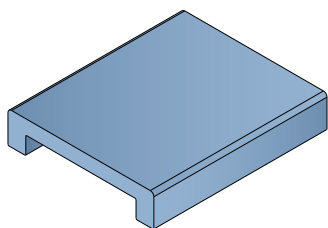
| Article-Nr. | Material        | Availability | Supply     |
|-------------|-----------------|--------------|------------|
| 17801BC     | <i>BluLub</i>   | Stock item   | 3 m bars   |
| 17801B      | <i>BluLub</i>   | On request   | 6 m bars   |
| 17801B-30   | <i>BluLub</i>   | Stock item   | 30 m coils |
| 17803C      | <i>Ti-White</i> | On request   | 3 m bars   |
| 17803       | <i>Ti-White</i> | On request   | 6 m bars   |
| 17803-30    | <i>Ti-White</i> | Stock item   | 30 m coils |
| 17801C      | Black           | Stock item   | 3 m bars   |
| 17801       | Black           | On request   | 6 m bars   |
| 17801-30    | Black           | On request   | 30 m coils |
| 17805C      | Blue            | On request   | 3 m bars   |
| 17805       | Blue            | On request   | 6 m bars   |
| 17805-30    | Blue            | On request   | 30 m coils |
| 17802C      | Green           | Stock item   | 3 m bars   |
| 17802       | Green           | On request   | 6 m bars   |
| 17802-30    | Green           | Stock item   | 30 m coils |



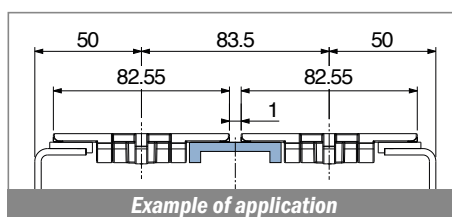
## 111

### Profilo "U" / U-Profile / U-Profil

Delivery: **Easy** **Standard** Coils available



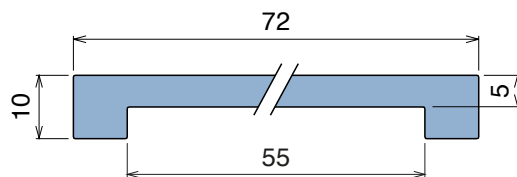
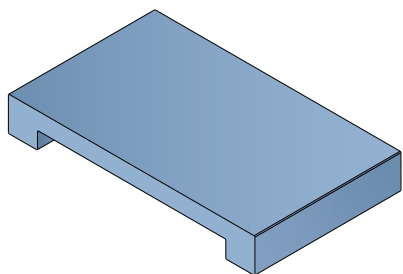
| Article-Nr. | Material        | Availability | Supply     |
|-------------|-----------------|--------------|------------|
| 11101BC     | <b>BluLub</b>   | Stock item   | 3 m bars   |
| 11101B      | <b>BluLub</b>   | On request   | 6 m bars   |
| 11101B-30   | <b>BluLub</b>   | On request   | 30 m coils |
| 11103C      | <b>Ti-White</b> | On request   | 3 m bars   |
| 11103       | <b>Ti-White</b> | On request   | 6 m bars   |
| 11103-30    | <b>Ti-White</b> | On request   | 30 m coils |
| 11101C      | Black           | Stock item   | 3 m bars   |
| 11101       | Black           | Stock item   | 6 m bars   |
| 11101-30    | Black           | Stock item   | 30 m coils |
| 11105C      | Blue            | On request   | 3 m bars   |
| 11105       | Blue            | On request   | 6 m bars   |
| 11105-30    | Blue            | On request   | 30 m coils |
| 11102C      | Green           | Stock item   | 3 m bars   |
| 11102       | Green           | Stock item   | 6 m bars   |
| 11102-30    | Green           | On request   | 30 m coils |



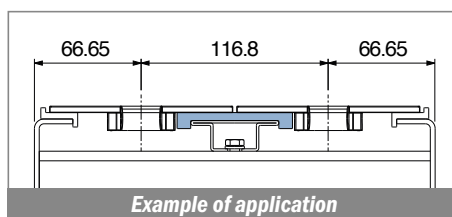
## 1060

### Profilo "U" / U-Profile / U-Profil

Delivery: **Easy** **Standard** Coils available



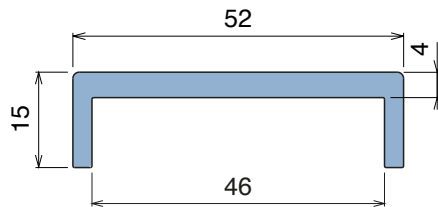
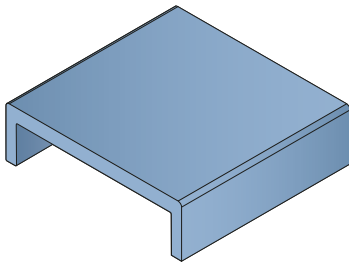
| Article-Nr. | Material        | Availability | Supply   |
|-------------|-----------------|--------------|----------|
| 106000BC    | <b>BluLub</b>   | On request   | 3 m bars |
| 106000B     | <b>BluLub</b>   | On request   | 6 m bars |
| 106003C     | <b>Ti-White</b> | On request   | 3 m bars |
| 106003      | <b>Ti-White</b> | On request   | 6 m bars |
| 106001C     | Black           | Stock item   | 3 m bars |
| 106001      | Black           | On request   | 6 m bars |
| 106005C     | Blue            | On request   | 3 m bars |
| 106005      | Blue            | On request   | 6 m bars |
| 106002C     | Green           | Stock item   | 3 m bars |
| 106002      | Green           | Stock item   | 6 m bars |



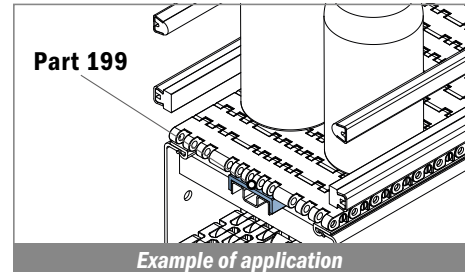


## 199 Profilo "U" / U-Profile / U-Profil

Delivery: **Easy** **Standard** Coils available

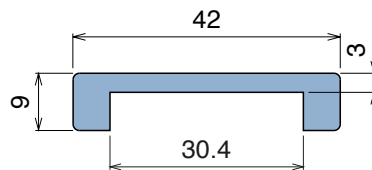
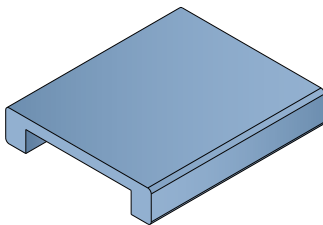


| Article-Nr. | Material        | Availability | Supply   |
|-------------|-----------------|--------------|----------|
| 19976BC     | <b>BluLub</b>   | On request   | 3 m bars |
| 19976B      | <b>BluLub</b>   | On request   | 6 m bars |
| 19976C      | <b>Ti-White</b> | Stock item   | 3 m bars |
| 19976       | <b>Ti-White</b> | On request   | 6 m bars |
| 19976BLC    | Blue            | On request   | 3 m bars |
| 19976BL     | Blue            | On request   | 6 m bars |



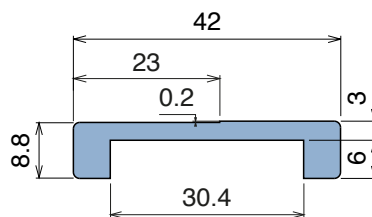
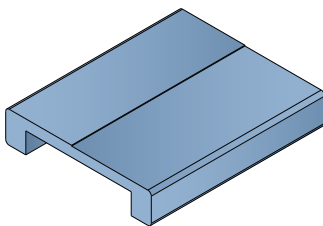
## 199 Profilo "U" / U-Profile / U-Profil

Delivery: **Easy** **Standard** Coils available

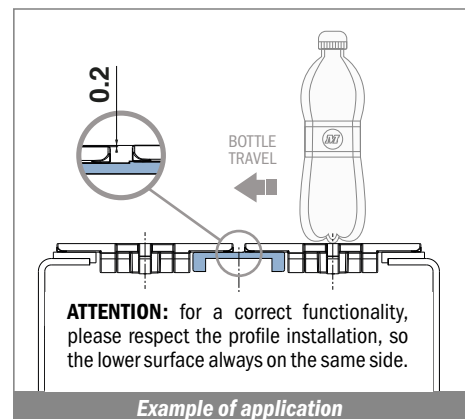
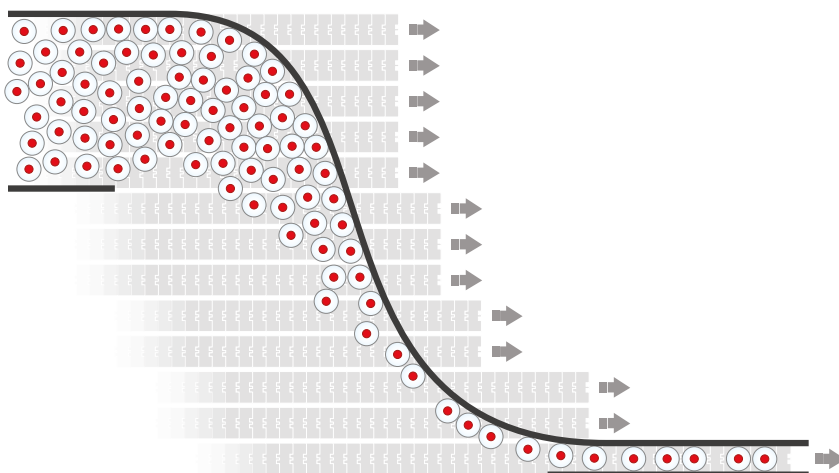


| Article-Nr. | Material        | Availability | Supply     |
|-------------|-----------------|--------------|------------|
| 19944B-30   | <b>BluLub</b>   | Stock item   | 30 m coils |
| 19944W-30   | <b>Ti-White</b> | On request   | 30 m coils |
| 19944-30    | Black           | On request   | 30 m coils |
| 19944BL-30  | Blue            | On request   | 30 m coils |
| 19940-30    | Green           | Stock item   | 30 m coils |

### Staggered version



| Article-Nr. | Material        | Availability | Supply     |
|-------------|-----------------|--------------|------------|
| 19945B-30   | <b>BluLub</b>   | Stock item   | 30 m coils |
| 19945W-30   | <b>Ti-White</b> | On request   | 30 m coils |
| 19945-30    | Black           | Stock item   | 30 m coils |
| 19945BL-30  | Blue            | On request   | 30 m coils |
| 19946-30    | Green           | Stock item   | 30 m coils |

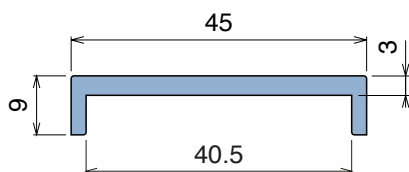
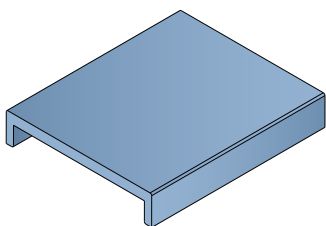


# 1080-1081

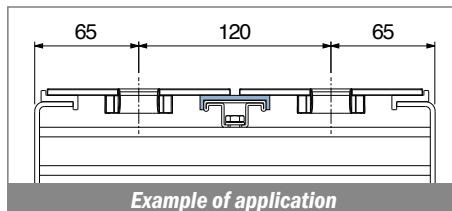
Guide estruse / Extruded profiles / Extrudiertes Profil

## NEW 1080

Profilo "U" / U-Profile / U-Profil

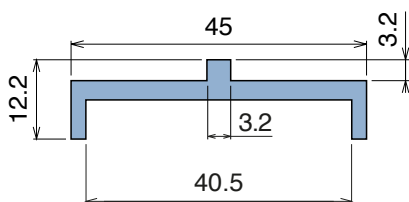
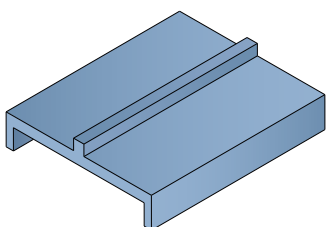


| Article-Nr.    | Material        | Availability | Supply   |
|----------------|-----------------|--------------|----------|
| <b>108000C</b> | <b>BluLub</b>   | On request   | 3 m bars |
| <b>108003C</b> | <b>Ti-White</b> | On request   | 3 m bars |
| <b>108001C</b> | Black           | On request   | 3 m bars |
| <b>108005C</b> | Blue            | On request   | 3 m bars |
| <b>108002C</b> | Green           | On request   | 3 m bars |

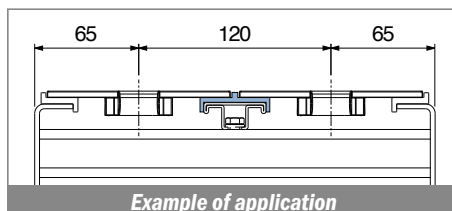


## NEW 1081

Profilo "U" / U-Profile / U-Profil



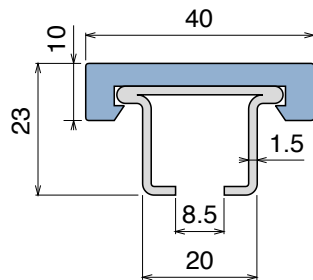
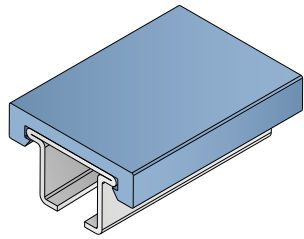
| Article-Nr.     | Material        | Availability | Supply   |
|-----------------|-----------------|--------------|----------|
| <b>108100BC</b> | <b>BluLub</b>   | On request   | 3 m bars |
| <b>108100B</b>  | <b>BluLub</b>   | On request   | 6 m bars |
| <b>108103C</b>  | <b>Ti-White</b> | On request   | 3 m bars |
| <b>108103</b>   | <b>Ti-White</b> | On request   | 6 m bars |
| <b>108101C</b>  | Black           | On request   | 3 m bars |
| <b>108101</b>   | Black           | On request   | 6 m bars |
| <b>108105C</b>  | Blue            | On request   | 3 m bars |
| <b>108105</b>   | Blue            | On request   | 6 m bars |
| <b>108102C</b>  | Green           | On request   | 3 m bars |
| <b>108102</b>   | Green           | On request   | 6 m bars |



## 133

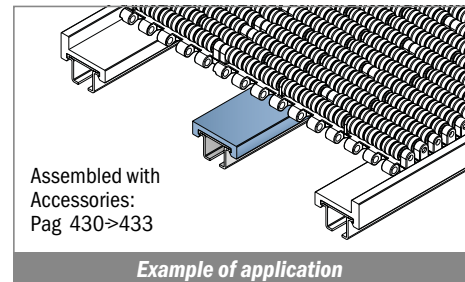
### Profilo "U" assemblato clip-on / U-Profile assembled clip-on / U-Profil montiert clip-on

Delivery: **Easy** **Standard**



| Article-Nr.     | Material        | Metal    | Availability | Supply   |
|-----------------|-----------------|----------|--------------|----------|
| <b>13305BC</b>  | <i>BluLub</i>   | AISI 304 | Stock item   | 3 m bars |
| <b>13305B</b>   | <i>BluLub</i>   | AISI 304 | On request   | 6 m bars |
| <b>13307C</b>   | <i>Ti-White</i> | AISI 304 | On request   | 3 m bars |
| <b>13307</b>    | <i>Ti-White</i> | AISI 304 | On request   | 6 m bars |
| <b>13303C</b>   | Black           | AISI 304 | Stock item   | 3 m bars |
| <b>13303</b>    | Black           | AISI 304 | On request   | 6 m bars |
| <b>13303BLC</b> | Blue            | AISI 304 | On request   | 3 m bars |
| <b>13303BL</b>  | Blue            | AISI 304 | On request   | 6 m bars |
| <b>13301C</b>   | Green           | AISI 304 | Stock item   | 3 m bars |
| <b>13301</b>    | Green           | AISI 304 | On request   | 6 m bars |

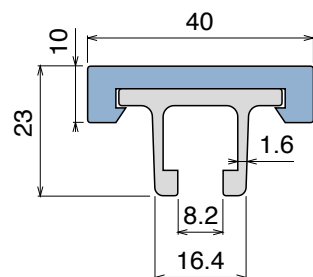
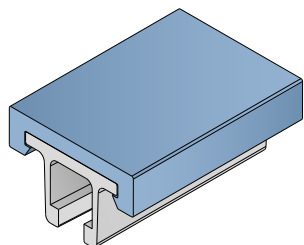
| Article-Nr.     | Material        | Metal    | Availability | Supply   |
|-----------------|-----------------|----------|--------------|----------|
| <b>13306BC</b>  | <i>BluLub</i>   | AISI 430 | Stock item   | 3 m bars |
| <b>13306B</b>   | <i>BluLub</i>   | AISI 430 | On request   | 6 m bars |
| <b>13308C</b>   | <i>Ti-White</i> | AISI 430 | On request   | 3 m bars |
| <b>13308</b>    | <i>Ti-White</i> | AISI 430 | On request   | 6 m bars |
| <b>13304C</b>   | Black           | AISI 430 | Stock item   | 3 m bars |
| <b>13304</b>    | Black           | AISI 430 | On request   | 6 m bars |
| <b>13304BLC</b> | Blue            | AISI 430 | On request   | 3 m bars |
| <b>13304BL</b>  | Blue            | AISI 430 | On request   | 6 m bars |
| <b>13302C</b>   | Green           | AISI 430 | Stock item   | 3 m bars |
| <b>13302</b>    | Green           | AISI 430 | On request   | 6 m bars |



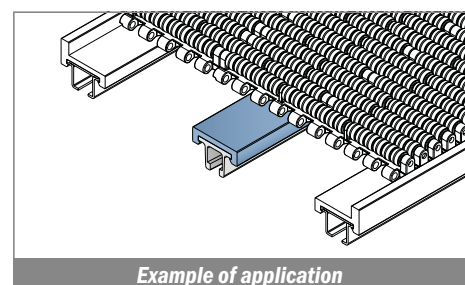
## 148

### Profilo "U" assemblato clip-on / U-Profile assembled clip-on / U-Profil montiert clip-on

Delivery: **Easy** **Standard**



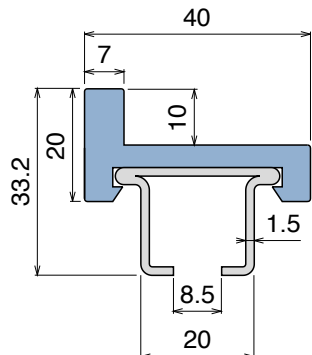
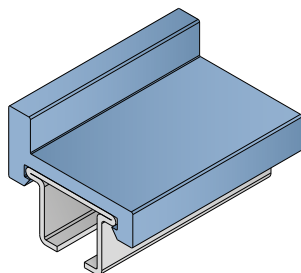
| Article-Nr.    | Material        | Availability | Supply   |
|----------------|-----------------|--------------|----------|
| <b>14801BC</b> | <i>BluLub</i>   | Stock item   | 3 m bars |
| <b>14801B</b>  | <i>BluLub</i>   | On request   | 6 m bars |
| <b>14803C</b>  | <i>Ti-White</i> | Stock item   | 3 m bars |
| <b>14803</b>   | <i>Ti-White</i> | On request   | 6 m bars |
| <b>14802C</b>  | Black           | Stock item   | 3 m bars |
| <b>14802</b>   | Black           | On request   | 6 m bars |
| <b>14805C</b>  | Blue            | On request   | 3 m bars |
| <b>14805</b>   | Blue            | On request   | 6 m bars |
| <b>14801C</b>  | Green           | Stock item   | 3 m bars |
| <b>14801</b>   | Green           | On request   | 6 m bars |



## 157

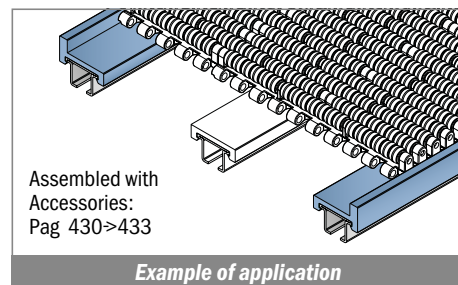
### Profilo "U" assemblato clip-on / U-Profile assembled clip-on / U-Profil montiert clip-on

Delivery: **Easy** Standard



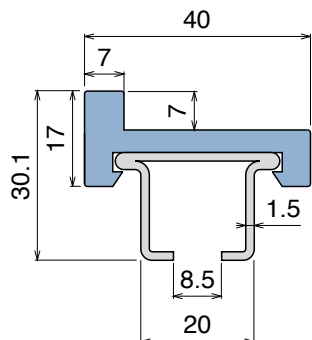
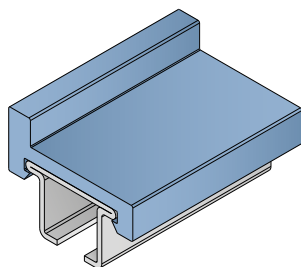
| Article-Nr.    | Material        | Metal    | Availability | Supply   |
|----------------|-----------------|----------|--------------|----------|
| <b>15700BC</b> | <i>BluLub</i>   | AISI 304 | On request   | 3 m bars |
| <b>15700B</b>  | <i>BluLub</i>   | AISI 304 | On request   | 6 m bars |
| <b>15703C</b>  | <i>Ti-White</i> | AISI 304 | On request   | 3 m bars |
| <b>15703</b>   | <i>Ti-White</i> | AISI 304 | On request   | 6 m bars |
| <b>15704C</b>  | Black           | AISI 304 | On request   | 3 m bars |
| <b>15704</b>   | Black           | AISI 304 | On request   | 6 m bars |
| <b>15705C</b>  | Blue            | AISI 304 | On request   | 3 m bars |
| <b>15705</b>   | Blue            | AISI 304 | On request   | 6 m bars |
| <b>15701C</b>  | Green           | AISI 304 | Stock item   | 3 m bars |
| <b>15701</b>   | Green           | AISI 304 | On request   | 6 m bars |

| Article-Nr.    | Material        | Metal    | Availability | Supply   |
|----------------|-----------------|----------|--------------|----------|
| <b>15706BC</b> | <i>BluLub</i>   | AISI 430 | On request   | 3 m bars |
| <b>15706B</b>  | <i>BluLub</i>   | AISI 430 | On request   | 6 m bars |
| <b>15707C</b>  | <i>Ti-White</i> | AISI 430 | On request   | 3 m bars |
| <b>15707</b>   | <i>Ti-White</i> | AISI 430 | On request   | 6 m bars |
| <b>15708C</b>  | Black           | AISI 430 | On request   | 3 m bars |
| <b>15708</b>   | Black           | AISI 430 | On request   | 6 m bars |
| <b>15706C</b>  | Blue            | AISI 430 | On request   | 3 m bars |
| <b>15706</b>   | Blue            | AISI 430 | On request   | 6 m bars |
| <b>15702C</b>  | Green           | AISI 430 | Stock item   | 3 m bars |
| <b>15702</b>   | Green           | AISI 430 | On request   | 6 m bars |

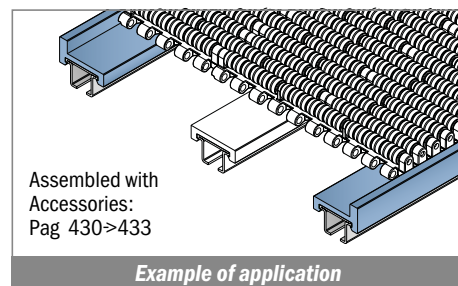


## 157

### Profilo "U" assemblato clip-on / U-Profile assembled clip-on / U-Profil montiert clip-on

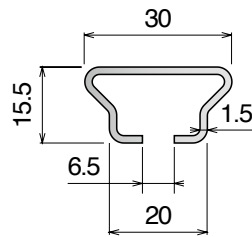
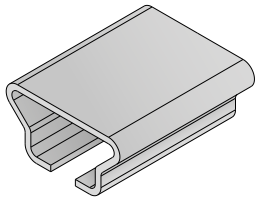


| Article-Nr.     | Material        | Metal    | Availability | Supply   |
|-----------------|-----------------|----------|--------------|----------|
| <b>15799BC</b>  | <i>BluLub</i>   | AISI 304 | On request   | 3 m bars |
| <b>15799WC</b>  | <i>Ti-White</i> | AISI 304 | On request   | 3 m bars |
| <b>15799NC</b>  | Black           | AISI 304 | On request   | 3 m bars |
| <b>15799BLC</b> | Blue            | AISI 304 | On request   | 3 m bars |
| <b>15799C</b>   | Green           | AISI 304 | On request   | 3 m bars |

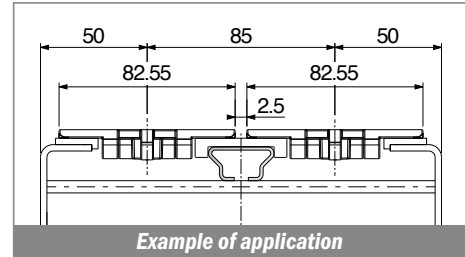


## 118 Profilo in Acciaio inox / Stainless steel profile / Edelstahl-Profil

Delivery: **Easy** **Standard**

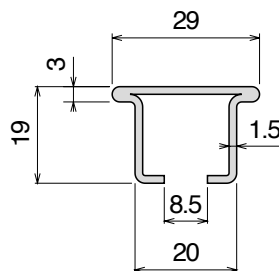
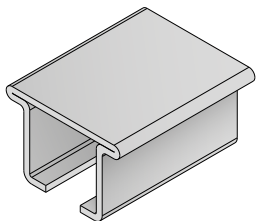


| Article-Nr.   | Material | Availability | Supply   |
|---------------|----------|--------------|----------|
| <b>11801C</b> | AISI 304 | Stock item   | 3 m bars |
| <b>11801</b>  | AISI 304 | Stock item   | 6 m bars |
| <b>11802C</b> | AISI 430 | Stock item   | 3 m bars |
| <b>11802</b>  | AISI 430 | On request   | 6 m bars |

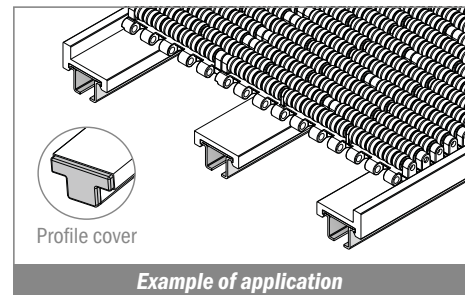


## 112 Profilo in Acciaio inox / Stainless steel profile / Edelstahl-Profil

Delivery: **Easy** **Standard**

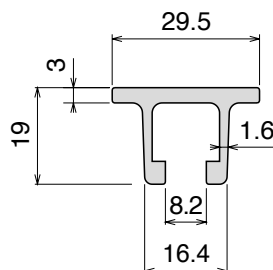
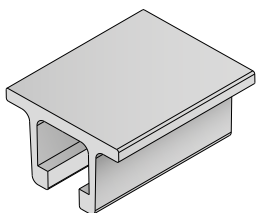


| Article-Nr.   | Material | Availability | Supply   | Profile cover |
|---------------|----------|--------------|----------|---------------|
| <b>11201C</b> | AISI 304 | Stock item   | 3 m bars | <b>301401</b> |
| <b>11201</b>  | AISI 304 | Stock item   | 6 m bars | <b>301401</b> |
| <b>11202C</b> | AISI 430 | Stock item   | 3 m bars | <b>301401</b> |
| <b>11202</b>  | AISI 430 | Stock item   | 6 m bars | <b>301401</b> |

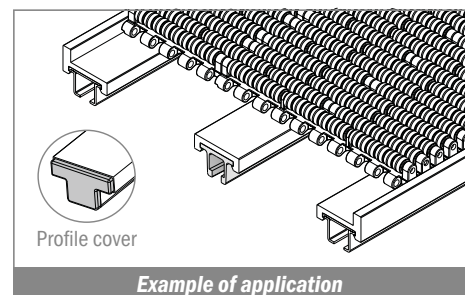


## 147 Profilo in alluminio / Aluminum profile / Aluminium-Profil

Delivery: **Easy** **Standard**



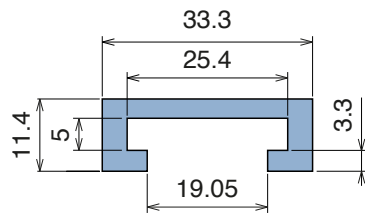
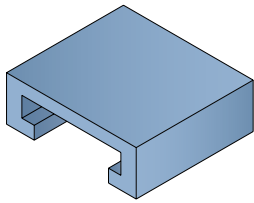
| Article-Nr.   | Material | Availability | Supply   | Profile cover |
|---------------|----------|--------------|----------|---------------|
| <b>14701C</b> | Aluminum | Stock item   | 3 m bars | <b>301402</b> |
| <b>14701</b>  | Aluminum | Stock item   | 6 m bars | <b>301402</b> |



## 1041

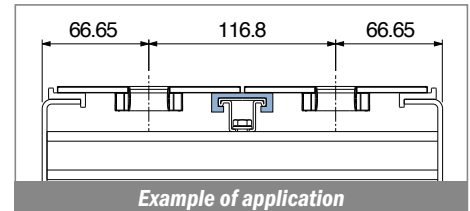
### Profilo "C" / C-Profile / C-Profil

Delivery: **Easy** **Standard** Fit on 25 x 5 mm



### North America STANDARD

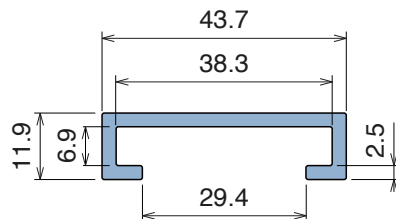
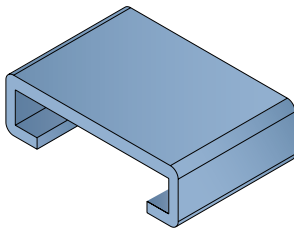
| Article-Nr. | Material | Availability | Supply   |
|-------------|----------|--------------|----------|
| 104100BC    | BluLub   | On request   | 3 m bars |
| 104100B     | BluLub   | On request   | 6 m bars |
| 104103C     | Ti-White | Stock item   | 3 m bars |
| 104103      | Ti-White | On request   | 6 m bars |
| 104105C     | Blue     | On request   | 3 m bars |
| 104105      | Blue     | On request   | 6 m bars |
| 104102C     | Green    | On request   | 3 m bars |
| 104102      | Green    | On request   | 6 m bars |



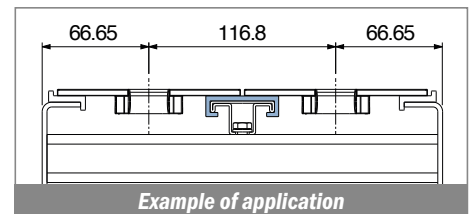
## NEW 1082

### Profilo "C" / C-Profile / C-Profil

Fit on 38.1 x 6.35 mm



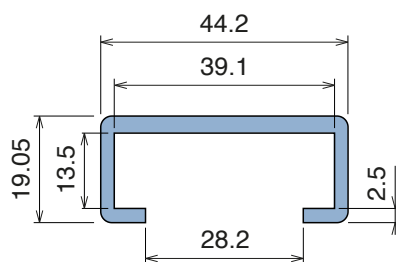
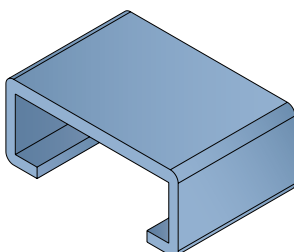
| Article-Nr. | Material | Availability | Supply   |
|-------------|----------|--------------|----------|
| 108200BC    | BluLub   | On request   | 3 m bars |
| 108200B     | BluLub   | On request   | 6 m bars |
| 108203C     | Ti-White | On request   | 3 m bars |
| 108203      | Ti-White | On request   | 6 m bars |
| 108205C     | Blue     | On request   | 3 m bars |
| 108205      | Blue     | On request   | 6 m bars |



## 1044

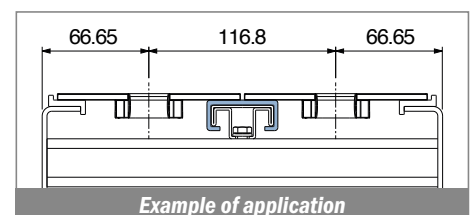
### Profilo "C" / C-Profile / C-Profil

Delivery: **Easy** **Standard** Fit on 38.1 x 12.7 mm



### North America STANDARD

| Article-Nr. | Material | Availability | Supply   |
|-------------|----------|--------------|----------|
| 104400BC    | BluLub   | On request   | 3 m bars |
| 104400B     | BluLub   | On request   | 6 m bars |
| 104403C     | Ti-White | Stock item   | 3 m bars |
| 104403      | Ti-White | On request   | 6 m bars |
| 104405C     | Blue     | On request   | 3 m bars |
| 104405      | Blue     | On request   | 6 m bars |

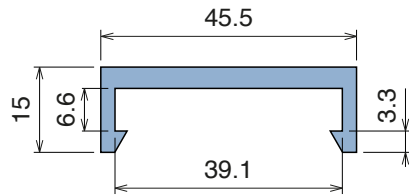
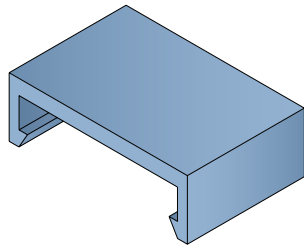


## 1053

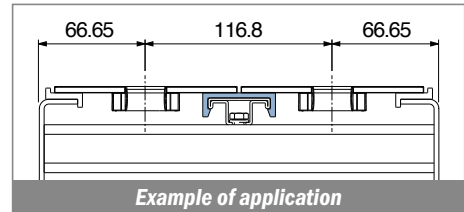
### Profilo "C" / C-Profile / C-Profil

Delivery: **Easy** **Standard** Fit on 38.1 x 6.35 mm

### North America STANDARD



| Article-Nr. | Material | Availability | Supply   |
|-------------|----------|--------------|----------|
| 105300BC    | BluLub   | On request   | 3 m bars |
| 105300B     | BluLub   | On request   | 6 m bars |
| 105303C     | Ti-White | Stock item   | 3 m bars |
| 105303      | Ti-White | On request   | 6 m bars |
| 105305C     | Blue     | On request   | 3 m bars |
| 105305      | Blue     | On request   | 6 m bars |

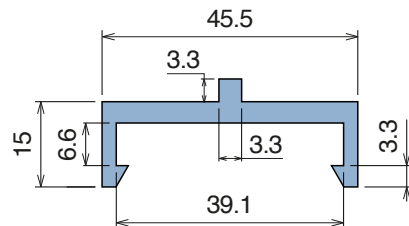
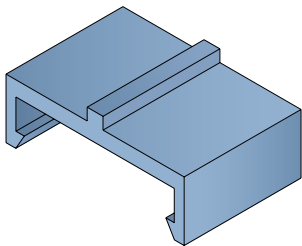


## 1054

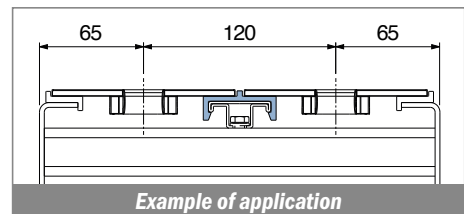
### Profilo "C" / C-Profile / C-Profil

Delivery: **Easy** **Standard** Fit on 38.1 x 6.35 mm

### North America STANDARD



| Article-Nr. | Material | Availability | Supply   |
|-------------|----------|--------------|----------|
| 105400BC    | BluLub   | On request   | 3 m bars |
| 105400B     | BluLub   | On request   | 6 m bars |
| 105403C     | Ti-White | Stock item   | 3 m bars |
| 105403      | Ti-White | On request   | 6 m bars |
| 105405C     | Blue     | On request   | 3 m bars |
| 105405      | Blue     | On request   | 6 m bars |

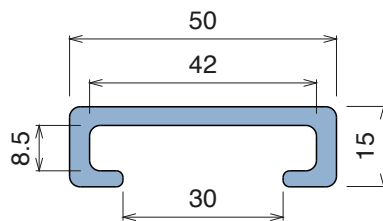
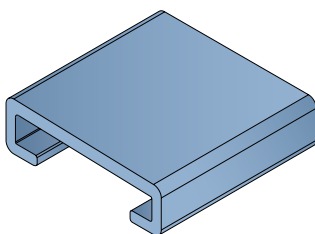


## 137

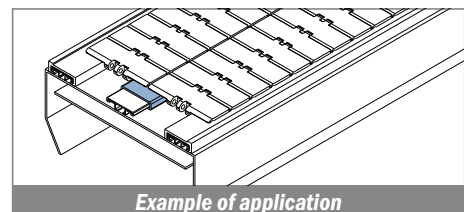
### Profilo "C" / C-Profile / C-Profil

Delivery: **Easy** **Standard** Fit on 40 x 8 mm / 40 x 10 mm

Article-Nr. Material Availability Supply



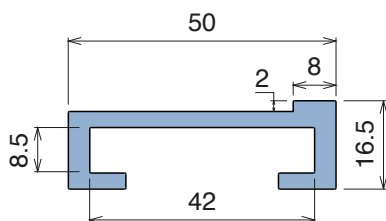
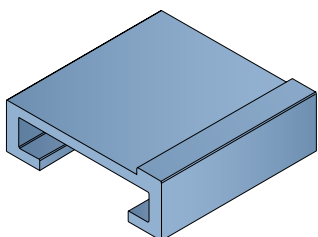
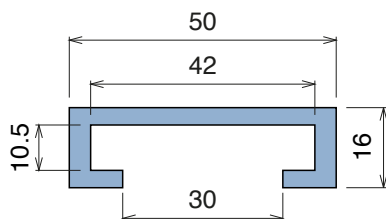
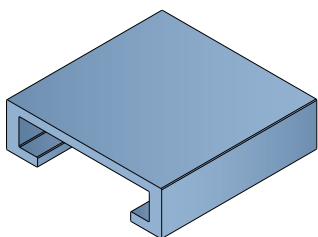
|         |          |            |          |
|---------|----------|------------|----------|
| 13701BC | BluLub   | Stock item | 3 m bars |
| 13701B  | BluLub   | On request | 6 m bars |
| 13703C  | Ti-White | Stock item | 3 m bars |
| 13703   | Ti-White | On request | 6 m bars |
| 13702C  | Black    | Stock item | 3 m bars |
| 13702   | Black    | On request | 6 m bars |
| 13705C  | Blue     | On request | 3 m bars |
| 13705   | Blue     | On request | 6 m bars |
| 13701C  | Green    | Stock item | 3 m bars |
| 13701   | Green    | Stock item | 6 m bars |



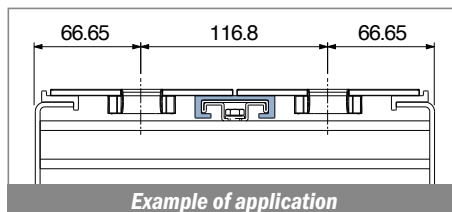
## 137

### Profilo "C" / C-Profile / C-Profil

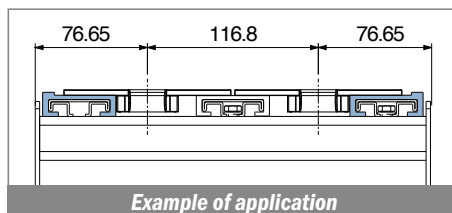
Delivery: **Easy** **Standard** Fit on 40 x 8 mm / 40 x 10 mm



| Article-Nr. | Material | Availability | Supply   |
|-------------|----------|--------------|----------|
| 13711BC     | BluLub   | Stock item   | 3 m bars |
| 13711B      | BluLub   | On request   | 6 m bars |
| 13713C      | Ti-White | On request   | 3 m bars |
| 13713       | Ti-White | On request   | 6 m bars |
| 13712C      | Black    | On request   | 3 m bars |
| 13712       | Black    | On request   | 6 m bars |
| 13715C      | Blue     | On request   | 3 m bars |
| 13715       | Blue     | On request   | 6 m bars |
| 13711C      | Green    | Stock item   | 3 m bars |
| 13711       | Green    | Stock item   | 6 m bars |



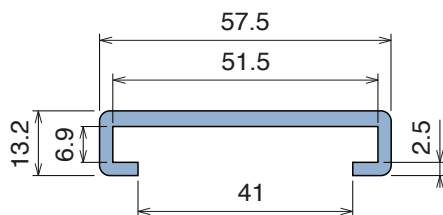
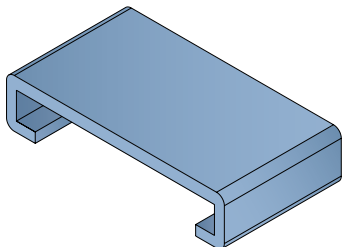
| Article-Nr. | Material | Availability | Supply   |
|-------------|----------|--------------|----------|
| 13720BC     | BluLub   | On request   | 3 m bars |
| 13720B      | BluLub   | On request   | 6 m bars |
| 13720C      | Ti-White | On request   | 3 m bars |
| 13720       | Ti-White | On request   | 6 m bars |
| 13725C      | Blue     | On request   | 3 m bars |
| 13725       | Blue     | On request   | 6 m bars |



## 1042

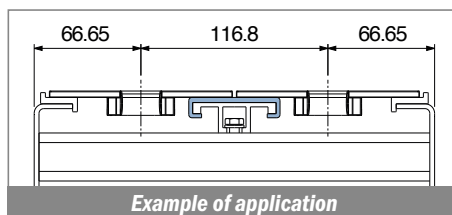
### Profilo "C" / C-Profile / C-Profil

Delivery: **Easy** **Standard** Fit on 50 x 6 mm



### North America STANDARD

| Article-Nr. | Material | Availability | Supply   |
|-------------|----------|--------------|----------|
| 104200BC    | BluLub   | On request   | 3 m bars |
| 104200B     | BluLub   | On request   | 6 m bars |
| 104203C     | Ti-White | Stock item   | 3 m bars |
| 104203      | Ti-White | On request   | 6 m bars |
| 104205C     | Blue     | On request   | 3 m bars |
| 104205      | Blue     | On request   | 6 m bars |
| 104201C     | Green    | On request   | 3 m bars |
| 104201      | Green    | On request   | 6 m bars |

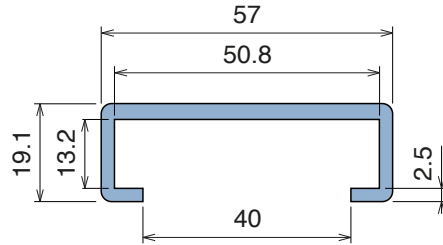
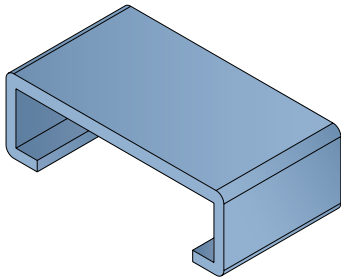




## 1045

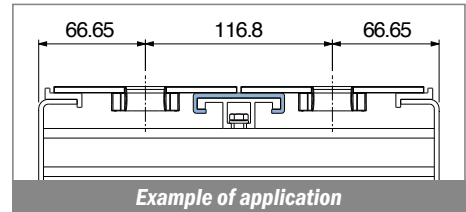
### Profilo "C" / C-Profile / C-Profil

Fit on 50.8 x 12.7 mm



### North America STANDARD

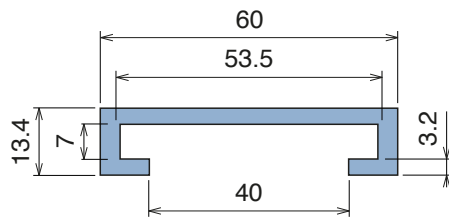
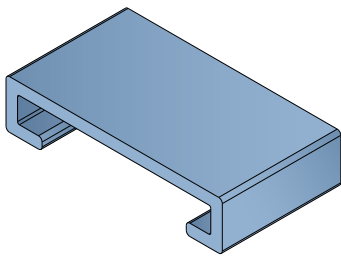
| Article-Nr. | Material | Availability | Supply   |
|-------------|----------|--------------|----------|
| 104500BC    | BluLub   | On request   | 3 m bars |
| 104500B     | BluLub   | On request   | 6 m bars |
| 104503C     | Ti-White | On request   | 3 m bars |
| 104503      | Ti-White | On request   | 6 m bars |
| 104505C     | Blue     | On request   | 3 m bars |
| 104505      | Blue     | On request   | 6 m bars |



## 158

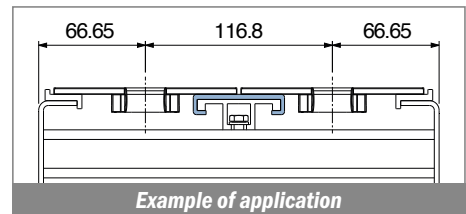
### Profilo "C" / C-Profile / C-Profil

Delivery: **Easy** **Standard** Fit on 50 x 6 mm



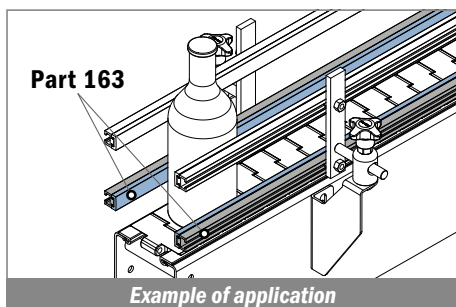
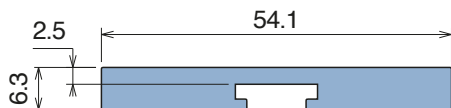
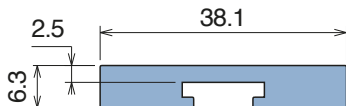
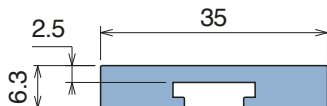
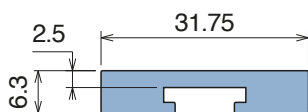
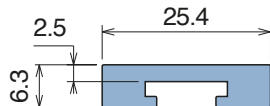
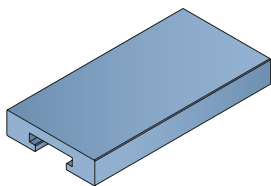
### North America STANDARD

| Article-Nr. | Material | Availability | Supply   |
|-------------|----------|--------------|----------|
| 15800BC     | BluLub   | Stock item   | 3 m bars |
| 15894C      | Ti-White | On request   | 3 m bars |
| 15898C      | Black    | Stock item   | 3 m bars |
| 15894BLC    | Blue     | On request   | 3 m bars |
| 15897C      | Green    | Stock item   | 3 m bars |
| 15800C      | Grey     | Stock item   | 3 m bars |



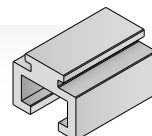
## 163 Profilo "C" / C-Profile / C-Profil

Delivery: **Easy** **Standard** Coils available



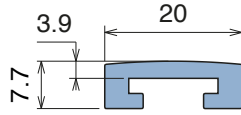
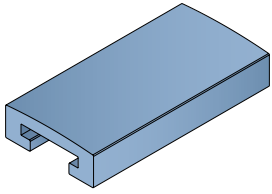
| Article-Nr. | Material | A     | Availability | Supply     |
|-------------|----------|-------|--------------|------------|
| 16303BC     | BluLub   | 25,4  | Stock item   | 3 m bars   |
| 16303B      | BluLub   | 25,4  | On request   | 6 m bars   |
| 16303B-30   | BluLub   | 25,4  | Stock item   | 30 m coils |
| 16313BC     | BluLub   | 31,75 | On request   | 3 m bars   |
| 16313B      | BluLub   | 31,75 | On request   | 6 m bars   |
| 16313B-30   | BluLub   | 31,75 | On request   | 30 m coils |
| 16323BC     | BluLub   | 35    | On request   | 3 m bars   |
| 16323B      | BluLub   | 35    | On request   | 6 m bars   |
| 16323B-30   | BluLub   | 35    | On request   | 30 m coils |
| 16324BC     | BluLub   | 38,1  | On request   | 3 m bars   |
| 16324B      | BluLub   | 38,1  | On request   | 6 m bars   |
| 16324B-30   | BluLub   | 38,1  | On request   | 30 m coils |
| 16325BC     | BluLub   | 54,1  | On request   | 3 m bars   |
| 16325B      | BluLub   | 54,1  | On request   | 6 m bars   |
| 16325B-30   | BluLub   | 54,1  | On request   | 30 m coils |
| 16303C      | Ti-White | 25,4  | Stock item   | 3 m bars   |
| 16303       | Ti-White | 25,4  | On request   | 6 m bars   |
| 16303-30    | Ti-White | 25,4  | Stock item   | 30 m coils |
| 16313C      | Ti-White | 31,75 | Stock item   | 3 m bars   |
| 16313       | Ti-White | 31,75 | On request   | 6 m bars   |
| 16313-30    | Ti-White | 31,75 | On request   | 30 m coils |
| 16323C      | Ti-White | 35    | Stock item   | 3 m bars   |
| 16323       | Ti-White | 35    | On request   | 6 m bars   |
| 16323-30    | Ti-White | 35    | On request   | 30 m coils |
| 16324C      | Ti-White | 38,1  | Stock item   | 3 m bars   |
| 16324       | Ti-White | 38,1  | Stock item   | 6 m bars   |
| 16324-30    | Ti-White | 38,1  | On request   | 30 m coils |
| 16325C      | Ti-White | 54,1  | On request   | 3 m bars   |
| 16325       | Ti-White | 54,1  | On request   | 6 m bars   |
| 16325-30    | Ti-White | 54,1  | On request   | 30 m coils |
| 16303BLC    | Blue     | 25,4  | On request   | 3 m bars   |
| 16303BL     | Blue     | 25,4  | On request   | 6 m bars   |
| 16303BL-30  | Blue     | 25,4  | On request   | 30 m coils |
| 16313BLC    | Blue     | 31,75 | On request   | 3 m bars   |
| 16313BL     | Blue     | 31,75 | On request   | 6 m bars   |
| 16313BL-30  | Blue     | 31,75 | On request   | 30 m coils |
| 16323BLC    | Blue     | 35    | On request   | 3 m bars   |
| 16323BL     | Blue     | 35    | On request   | 6 m bars   |
| 16323BL-30  | Blue     | 35    | On request   | 30 m coils |
| 16324BLC    | Blue     | 38,1  | On request   | 3 m bars   |
| 16324BL     | Blue     | 38,1  | On request   | 6 m bars   |
| 16324BL-30  | Blue     | 38,1  | On request   | 30 m coils |
| 16325BLC    | Blue     | 54,1  | On request   | 3 m bars   |
| 16325BL     | Blue     | 54,1  | On request   | 6 m bars   |
| 16325BL-30  | Blue     | 54,1  | On request   | 30 m coils |

Used with  
**Part 164/165**  
Pag 380

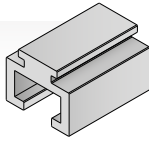


## 160 Profilo "C" / C-Profile / C-Profil

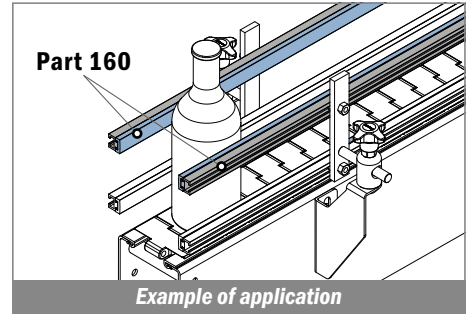
Delivery: **Easy** **Standard**



Used with  
**Part 164/165**  
Pag 380

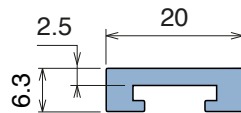
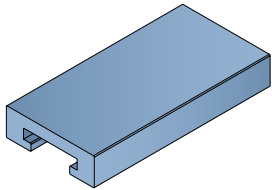


| Article-Nr. | Material        | Availability | Supply     |
|-------------|-----------------|--------------|------------|
| 16003BC     | <i>BluLub</i>   | Stock item   | 3 m bars   |
| 16003B      | <i>BluLub</i>   | On request   | 6 m bars   |
| 16003B-30   | <i>BluLub</i>   | Stock item   | 30 m coils |
| 16003C      | <i>Ti-White</i> | Stock item   | 3 m bars   |
| 16003       | <i>Ti-White</i> | Stock item   | 6 m bars   |
| 16003-30    | <i>Ti-White</i> | Stock item   | 30 m coils |
| 16005C      | Blue            | On request   | 3 m bars   |
| 16005       | Blue            | On request   | 6 m bars   |
| 16005-30    | Blue            | On request   | 30 m coils |

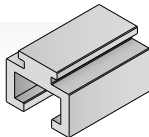


## 161 Profilo "C" / C-Profile / C-Profil

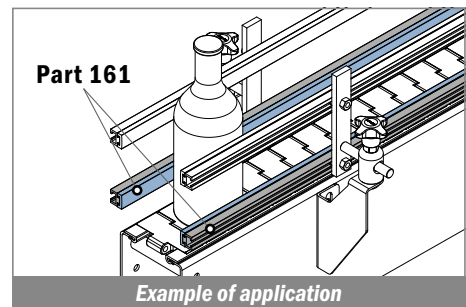
Delivery: **Easy** **Standard** Coils available



Used with  
**Part 164/165**  
Pag 380

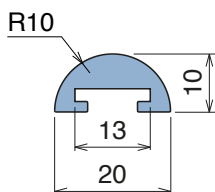
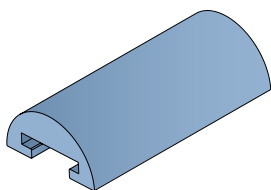


| Article-Nr. | Material        | Availability | Supply     |
|-------------|-----------------|--------------|------------|
| 16103BC     | <i>BluLub</i>   | On request   | 3 m bars   |
| 16103B      | <i>BluLub</i>   | On request   | 6 m bars   |
| 16103B-30   | <i>BluLub</i>   | Stock item   | 30 m coils |
| 16103C      | <i>Ti-White</i> | Stock item   | 3 m bars   |
| 16103       | <i>Ti-White</i> | Stock item   | 6 m bars   |
| 16103-30    | <i>Ti-White</i> | Stock item   | 30 m coils |
| 16105C      | Blue            | On request   | 3 m bars   |
| 16105       | Blue            | On request   | 6 m bars   |
| 16105-30    | Blue            | On request   | 30 m coils |

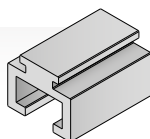


## 162 Profilo "C" / C-Profile / C-Profil

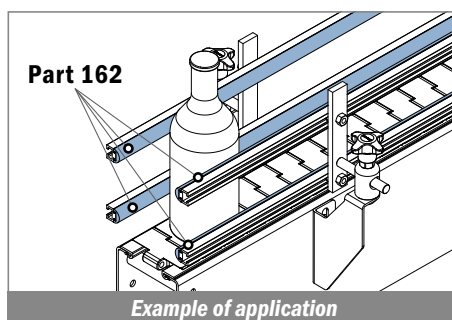
Delivery: **Easy** **Standard** Coils available



Used with  
**Part 164/165**  
Pag 380

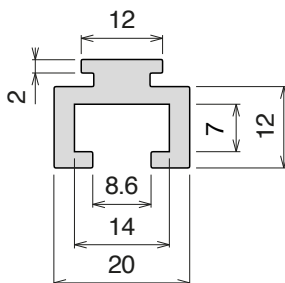
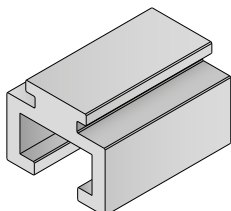


| Article-Nr. | Material        | Availability | Supply     |
|-------------|-----------------|--------------|------------|
| 16202BC     | <b>BluLub</b>   | Stock item   | 3 m bars   |
| 16202B      | <b>BluLub</b>   | On request   | 6 m bars   |
| 16202B-30   | <b>BluLub</b>   | Stock item   | 30 m coils |
| 16203C      | <b>Ti-White</b> | Stock item   | 3 m bars   |
| 16203       | <b>Ti-White</b> | On request   | 6 m bars   |
| 16203-30    | <b>Ti-White</b> | Stock item   | 30 m coils |
| 16205C      | Blue            | On request   | 3 m bars   |
| 16205       | Blue            | On request   | 6 m bars   |
| 16205-30    | Blue            | On request   | 30 m coils |
| 16202C      | Green           | Stock item   | 3 m bars   |
| 16202       | Green           | On request   | 6 m bars   |
| 16202-30    | Green           | Stock item   | 30 m coils |



## 164 Guida in alluminio / Aluminum guide / Aluminium profil

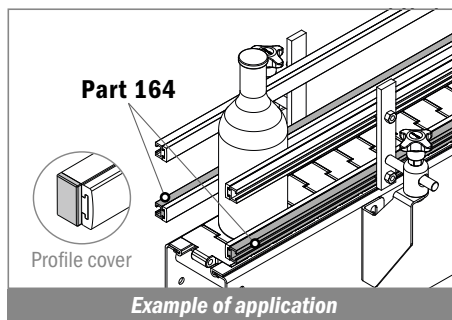
Delivery: **Easy** **Standard**



Used with  
**Part 362** Pag 493  
and **Part 1097** Pag 510

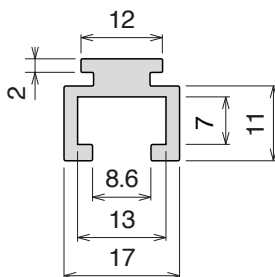
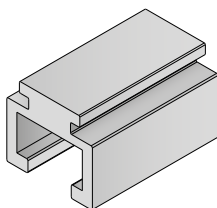


| Article-Nr. | Material | Availability | Supply   | Profile cover |
|-------------|----------|--------------|----------|---------------|
| 16401C      | Aluminum | Stock item   | 3 m bars | <b>301403</b> |
| 16401       | Aluminum | Stock item   | 6 m bars | <b>301403</b> |



## 165 Guida in alluminio / Aluminum guide / Aluminium profil

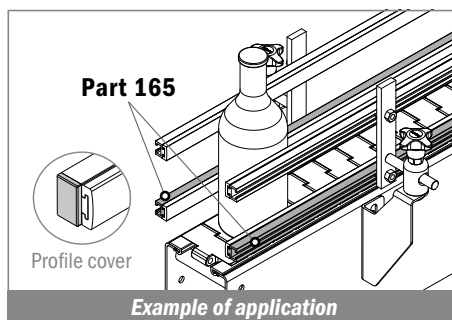
Delivery: **Easy** **Standard**



Used with  
**Part 362** Pag 493  
and **Part 1097** Pag 510



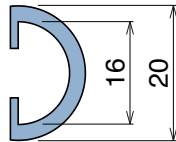
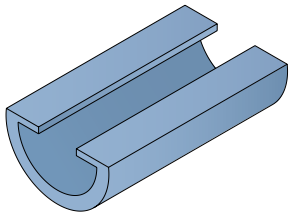
| Article-Nr. | Material | Availability | Supply   | Profile cover |
|-------------|----------|--------------|----------|---------------|
| 16501C      | Aluminum | Stock item   | 3 m bars | <b>301404</b> |
| 16501       | Aluminum | Stock item   | 6 m bars | <b>301404</b> |



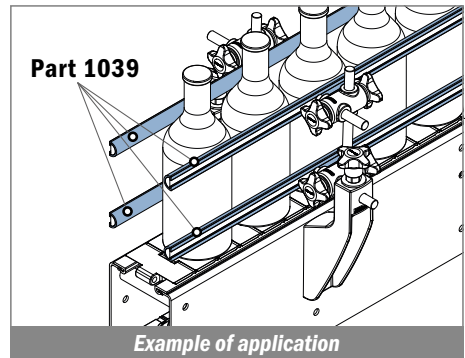
## 1039

### Profilo per mezzitondi / Half round profile for steel rods / Halbmond Profil

Delivery: **Easy** **Standard**



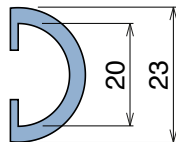
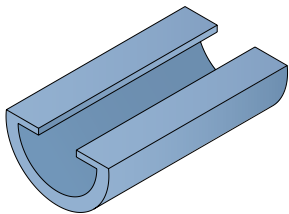
| Article-Nr. | Material        | Availability | Supply     |
|-------------|-----------------|--------------|------------|
| 103923BC    | <b>BluLub</b>   | On request   | 3 m bars   |
| 103923B     | <b>BluLub</b>   | On request   | 6 m bars   |
| 103923B-30  | <b>BluLub</b>   | Stock item   | 30 m coils |
| 103923B-60  | <b>BluLub</b>   | On request   | 60 m coils |
| 103923C     | <b>Ti-White</b> | Stock item   | 3 m bars   |
| 103923      | <b>Ti-White</b> | On request   | 6 m bars   |
| 103923-30   | <b>Ti-White</b> | Stock item   | 30 m coils |
| 103923-60   | <b>Ti-White</b> | Stock item   | 60 m coils |
| 103925C     | Blue            | On request   | 3 m bars   |
| 103925      | Blue            | On request   | 6 m bars   |
| 103925-30   | Blue            | On request   | 30 m coils |
| 103925-60   | Blue            | On request   | 60 m coils |



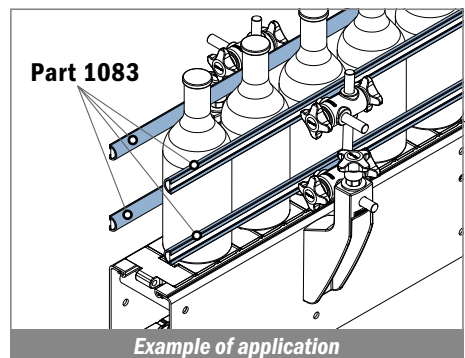
NEW

## 1083

### Profilo per mezzitondi / Half round profile for steel rods / Halbmond Profil

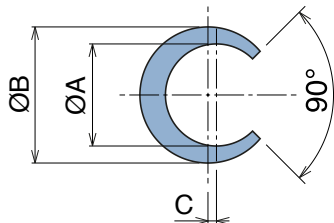
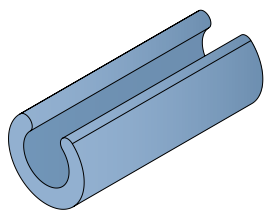


| Article-Nr. | Material        | Availability | Supply     |
|-------------|-----------------|--------------|------------|
| 108300BC    | <b>BluLub</b>   | On request   | 3 m bars   |
| 108300B     | <b>BluLub</b>   | On request   | 6 m bars   |
| 108300B-30  | <b>BluLub</b>   | On request   | 30 m coils |
| 108300B-60  | <b>BluLub</b>   | On request   | 60 m coils |
| 108303C     | <b>Ti-White</b> | On request   | 3 m bars   |
| 108303      | <b>Ti-White</b> | On request   | 6 m bars   |
| 108303-30   | <b>Ti-White</b> | On request   | 30 m coils |
| 108303-60   | <b>Ti-White</b> | On request   | 60 m coils |
| 108305C     | Blue            | On request   | 3 m bars   |
| 108305      | Blue            | On request   | 6 m bars   |
| 108305-30   | Blue            | On request   | 30 m coils |
| 108305-60   | Blue            | On request   | 60 m coils |

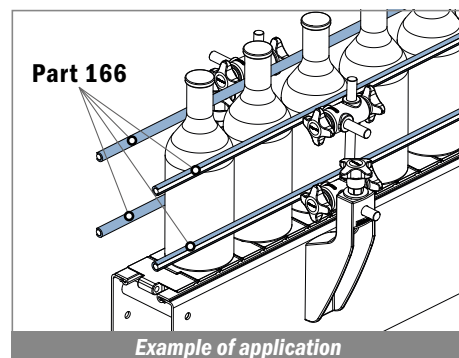


## 166 Profilo per toncini / Round profile for steel rods / Halbmond Profil

Delivery: **Easy** **Standard** Coils available

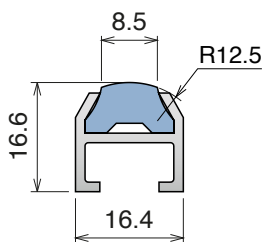
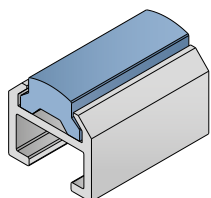


| Article-Nr.    | A  | B  | C   | Material        | Availability | Supply     |
|----------------|----|----|-----|-----------------|--------------|------------|
| <b>16601B</b>  | 8  | 12 | 0.5 | <b>BluLub</b>   | Stock item   | 30 m coils |
| <b>16602B</b>  | 10 | 14 | 0.5 | <b>BluLub</b>   | On request   | 30 m coils |
| <b>16603B</b>  | 12 | 16 | 1   | <b>BluLub</b>   | On request   | 30 m coils |
| <b>16604B</b>  | 16 | 20 | 1.5 | <b>BluLub</b>   | On request   | 30 m coils |
| <b>16601</b>   | 8  | 12 | 0.5 | <b>Ti-White</b> | Stock item   | 30 m coils |
| <b>16602</b>   | 10 | 14 | 0.5 | <b>Ti-White</b> | Stock item   | 30 m coils |
| <b>16603</b>   | 12 | 16 | 1   | <b>Ti-White</b> | Stock item   | 30 m coils |
| <b>16604</b>   | 16 | 20 | 1.5 | <b>Ti-White</b> | Stock item   | 30 m coils |
| <b>16601BL</b> | 8  | 12 | 0.5 | Blue            | On request   | 30 m coils |
| <b>16602BL</b> | 10 | 14 | 0.5 | Blue            | On request   | 30 m coils |
| <b>16603BL</b> | 12 | 16 | 1   | Blue            | On request   | 30 m coils |
| <b>16604BL</b> | 16 | 20 | 1.5 | Blue            | On request   | 30 m coils |



## 154 Guida laterale / Side guide rail / Seitenführungen

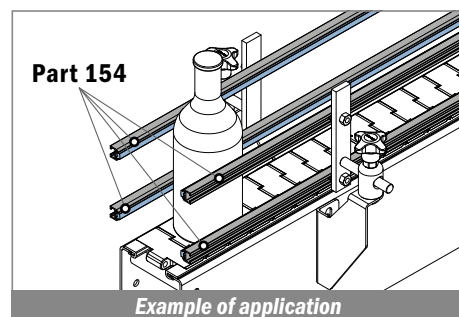
Delivery: **Easy** **Standard** Metal profile: Aluminium



| Article-Nr.    | Material        | Availability | Supply   |
|----------------|-----------------|--------------|----------|
| <b>15401BC</b> | <b>BluLub</b>   | Stock item   | 3 m bars |
| <b>15401B</b>  | <b>BluLub</b>   | On request   | 6 m bars |
| <b>15401C</b>  | <b>Ti-White</b> | On request   | 3 m bars |
| <b>15401</b>   | <b>Ti-White</b> | On request   | 6 m bars |
| <b>15405C</b>  | Blue            | On request   | 3 m bars |
| <b>15405</b>   | Blue            | On request   | 6 m bars |
| <b>15402C</b>  | Green           | On request   | 3 m bars |
| <b>15402</b>   | Green           | On request   | 6 m bars |

Only plastic profile

| Article-Nr.      | Material        | Availability | Supply     |
|------------------|-----------------|--------------|------------|
| <b>15451B-30</b> | <b>BluLub</b>   | On request   | 30 m coils |
| <b>15451-30</b>  | <b>Ti-White</b> | On request   | 30 m coils |
| <b>15455-30</b>  | Blue            | On request   | 30 m coils |
| <b>15452-30</b>  | Green           | On request   | 30 m coils |

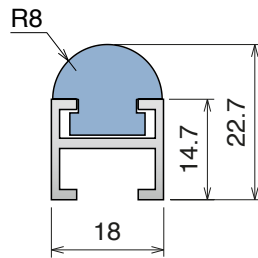
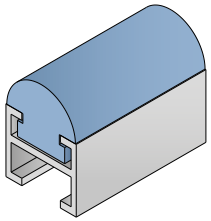


Used with  
Hex head bolt



## 155 Guida laterale / Side guide rail / Seitenführungen

Delivery: **Easy** **Standard** Metal profile: Aluminium



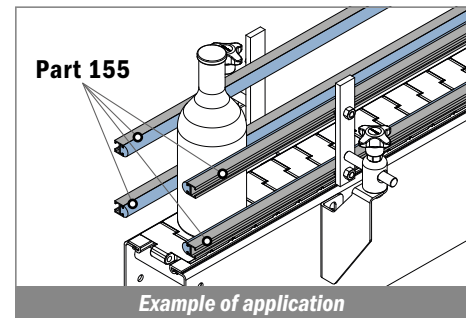
Used with  
**Part 362** Pag 493  
and **Part 1097** Pag 510



| Article-Nr. | Material        | Availability | Supply   |
|-------------|-----------------|--------------|----------|
| 15500BC     | <i>BluLub</i>   | On request   | 3 m bars |
| 15503C      | <i>Ti-White</i> | On request   | 3 m bars |
| 15505C      | Blue            | On request   | 3 m bars |
| 15501C      | Green           | On request   | 3 m bars |

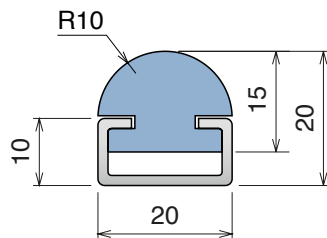
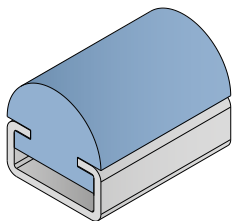
### Only plastic profile

| Article-Nr. | Material        | Availability | Supply     |
|-------------|-----------------|--------------|------------|
| 15550B-30   | <i>BluLub</i>   | On request   | 30 m coils |
| 15553-30    | <i>Ti-White</i> | On request   | 30 m coils |
| 15555-30    | Blue            | On request   | 30 m coils |
| 15551-30    | Green           | On request   | 30 m coils |



## 134 Guida laterale / Side guide rail / Seitenführungen

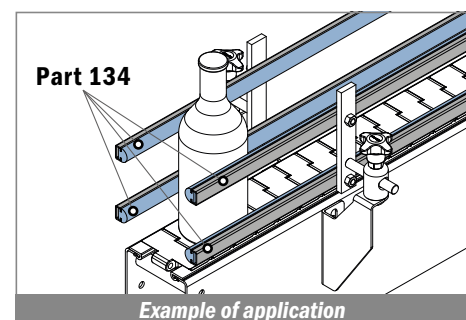
Delivery: **Easy** **Standard** Metal profile: Stainless steel AISI 304



| Article-Nr. | Material        | Availability | Supply   |
|-------------|-----------------|--------------|----------|
| 13400BC     | <i>BluLub</i>   | On request   | 3 m bars |
| 13400B      | <i>BluLub</i>   | On request   | 6 m bars |
| 13403C      | <i>Ti-White</i> | On request   | 3 m bars |
| 13403       | <i>Ti-White</i> | On request   | 6 m bars |
| 13405C      | Blue            | On request   | 3 m bars |
| 13405       | Blue            | On request   | 6 m bars |
| 13401C      | Green           | Stock item   | 3 m bars |
| 13401       | Green           | On request   | 6 m bars |

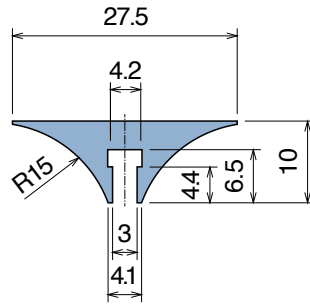
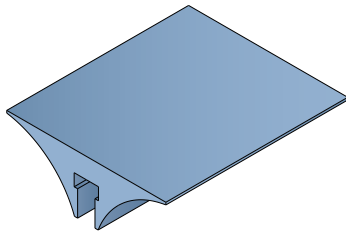
### Only plastic profile

| Article-Nr. | Material        | Availability | Supply     |
|-------------|-----------------|--------------|------------|
| 13450B-30   | <i>BluLub</i>   | On request   | 30 m coils |
| 13453-30    | <i>Ti-White</i> | On request   | 30 m coils |
| 13455-30    | Blue            | On request   | 30 m coils |
| 13451-30    | Green           | On request   | 30 m coils |

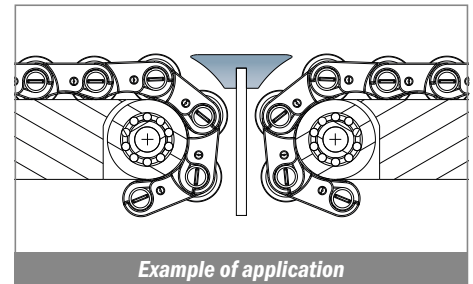


## 199 Piastra di trasferimento / Transfer plate / Überschubprofil

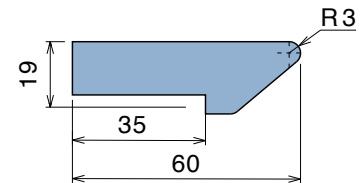
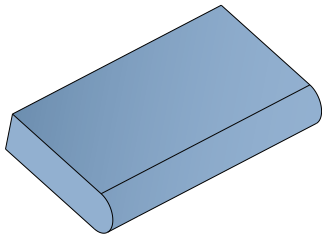
Delivery: **Easy** **Standard** Fit on 3 mm



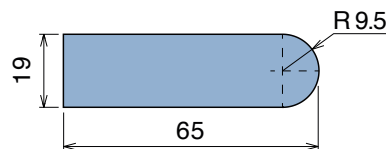
| Article-Nr. | Material | Availability | Supply     |
|-------------|----------|--------------|------------|
| 19960B      | BluLub   | Stock item   | 1,5 m bars |
| 19960       | Black    | Stock item   | 1,5 m bars |



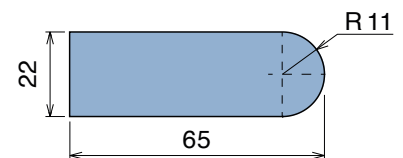
## 238-228-235 NoseBar / NoseBar / NoseBar



| Article-Nr. | Material | Availability | Supply     |
|-------------|----------|--------------|------------|
| 2381500     | BluLub   | On request   | 1,5 m bars |

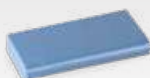


| Article-Nr. | Material | Availability | Supply     |
|-------------|----------|--------------|------------|
| 2281500     | BluLub   | On request   | 1,5 m bars |



| Article-Nr. | Material | Availability | Supply     |
|-------------|----------|--------------|------------|
| 2351500     | BluLub   | On request   | 1,5 m bars |

**NoseBars Standard**



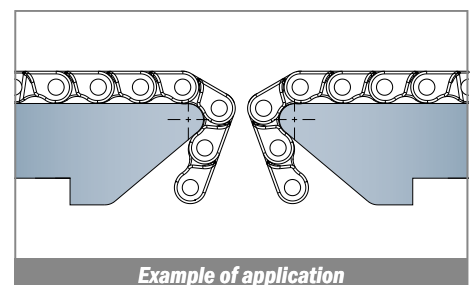
**NoseBars with Bearings**



**NoseBars with Rollers**



Machined to width NoseBars are available in the section Modular belts. Find more details at Pag 272

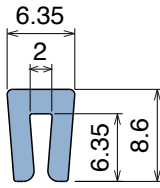
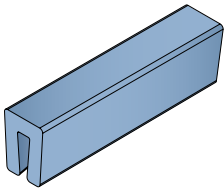




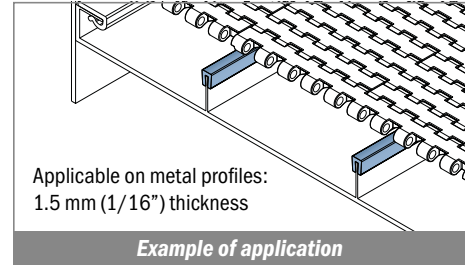
## 1000

### Copri profilo / Bar cap / Abdeckprofil

Delivery: **Easy** **Standard** Fit on 1.5 mm (1/16")



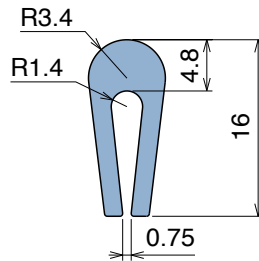
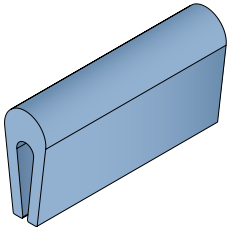
| Article-Nr.       | Material        | Availability | Supply     |
|-------------------|-----------------|--------------|------------|
| <b>100000B-30</b> | <b>BluLub</b>   | On request   | 30 m coils |
| <b>100003-30</b>  | <b>Ti-White</b> | Stock item   | 30 m coils |
| <b>100005-30</b>  | Blue            | On request   | 30 m coils |



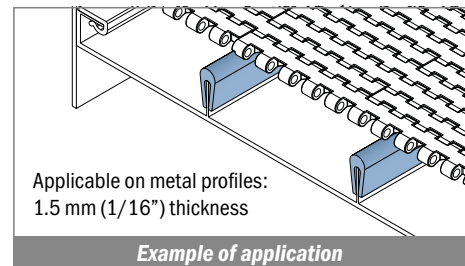
## 1001

### Copri profilo / Bar cap / Abdeckprofil

Delivery: **Easy** **Standard** Fit on 1.5 mm (1/16")



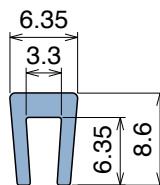
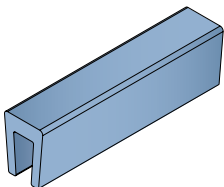
| Article-Nr.       | Material        | Availability | Supply     |
|-------------------|-----------------|--------------|------------|
| <b>100103B-30</b> | <b>BluLub</b>   | Stock item   | 30 m coils |
| <b>100103-30</b>  | <b>Ti-White</b> | Stock item   | 30 m coils |
| <b>100105-30</b>  | Blue            | On request   | 30 m coils |



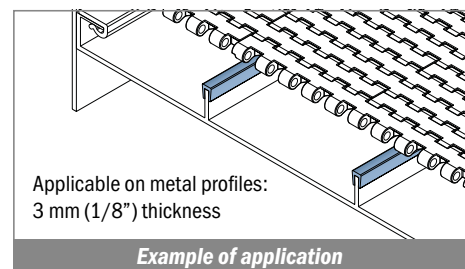
## 1002

### Copri profilo / Bar cap / Abdeckprofil

Delivery: **Easy** **Standard** Fit on 3 mm (1/8")



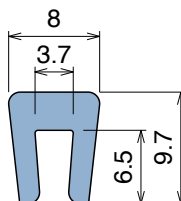
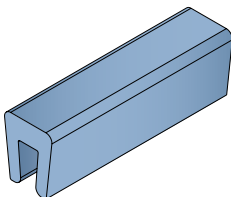
| Article-Nr.       | Material        | Availability | Supply     |
|-------------------|-----------------|--------------|------------|
| <b>100200B-30</b> | <b>BluLub</b>   | Stock item   | 30 m coils |
| <b>100203-30</b>  | <b>Ti-White</b> | Stock item   | 30 m coils |
| <b>100205-30</b>  | Blue            | On request   | 30 m coils |



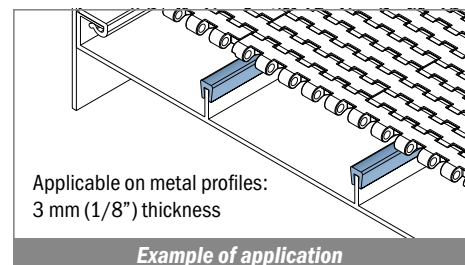
## 1003

### Copri profilo / Bar cap / Abdeckprofil

Delivery: **Easy** **Standard** Fit on 3 mm (1/8")



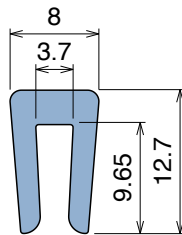
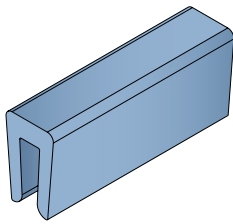
| Article-Nr.       | Material        | Availability | Supply     |
|-------------------|-----------------|--------------|------------|
| <b>100300B-30</b> | <b>BluLub</b>   | Stock item   | 30 m coils |
| <b>100303-30</b>  | <b>Ti-White</b> | Stock item   | 30 m coils |
| <b>100305-30</b>  | Blue            | On request   | 30 m coils |



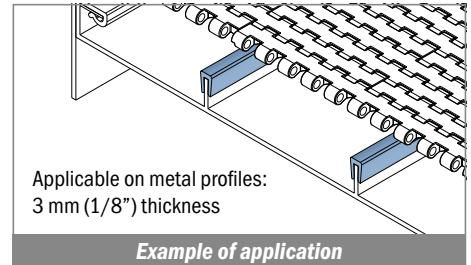
## 1004

### Copri profilo / Bar cap / Abdeckprofil

Delivery: **Easy** **Standard** Fit on 3 mm (1/8")



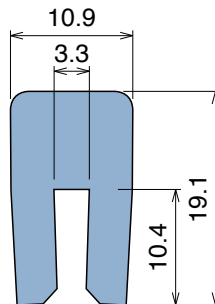
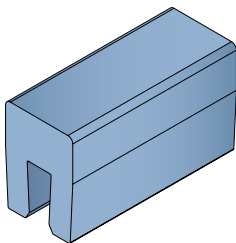
| Article-Nr. | Material        | Availability | Supply     |
|-------------|-----------------|--------------|------------|
| 100400B-30  | <b>BluLub</b>   | On request   | 30 m coils |
| 100403-30   | <b>Ti-White</b> | Stock item   | 30 m coils |
| 100405-30   | Blue            | On request   | 30 m coils |



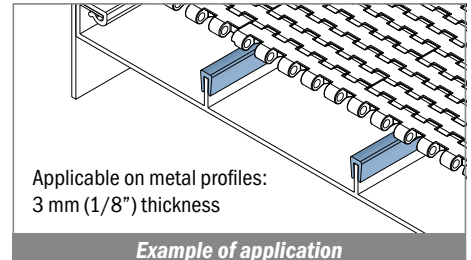
## NEW 1084

### Copri profilo / Bar cap / Abdeckprofil

Fit on 3 mm (1/8")



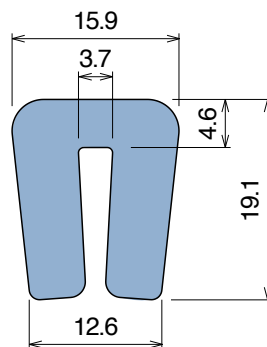
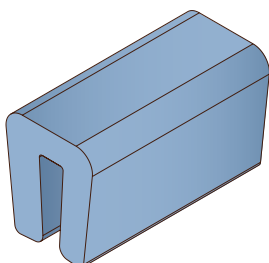
| Article-Nr. | Material        | Availability | Supply     |
|-------------|-----------------|--------------|------------|
| 108400BC    | <b>BluLub</b>   | On request   | 3 m bars   |
| 108400B     | <b>BluLub</b>   | On request   | 6 m bars   |
| 108400B-30  | <b>BluLub</b>   | On request   | 30 m coils |
| 108403C     | <b>Ti-White</b> | On request   | 3 m bars   |
| 108403      | <b>Ti-White</b> | On request   | 6 m bars   |
| 108403-30   | <b>Ti-White</b> | On request   | 30 m coils |
| 108405C     | Blue            | On request   | 3 m bars   |
| 108405      | Blue            | On request   | 6 m bars   |
| 108405-30   | Blue            | On request   | 30 m coils |



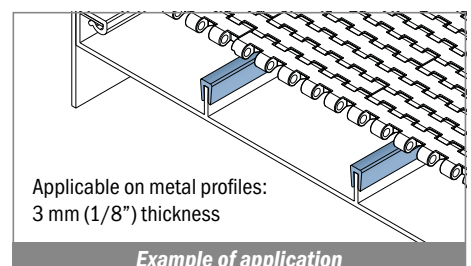
## NEW 1085

### Copri profilo / Bar cap / Abdeckprofil

Fit on 3 mm (1/8")



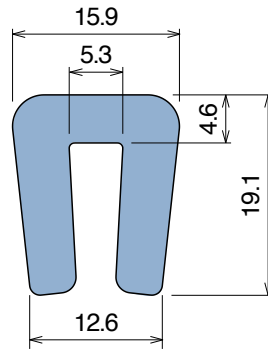
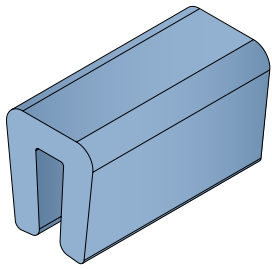
| Article-Nr. | Material        | Availability | Supply     |
|-------------|-----------------|--------------|------------|
| 108500BC    | <b>BluLub</b>   | On request   | 3 m bars   |
| 108500B     | <b>BluLub</b>   | On request   | 6 m bars   |
| 108500B-30  | <b>BluLub</b>   | On request   | 30 m coils |
| 108503C     | <b>Ti-White</b> | On request   | 3 m bars   |
| 108503      | <b>Ti-White</b> | On request   | 6 m bars   |
| 108503-30   | <b>Ti-White</b> | On request   | 30 m coils |
| 108505C     | Blue            | On request   | 3 m bars   |
| 108505      | Blue            | On request   | 6 m bars   |
| 108505-30   | Blue            | On request   | 30 m coils |



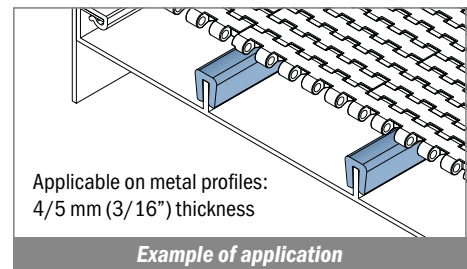
## 153

### Copri profilo / Bar cap / Abdeckprofil

Delivery: **Easy** **Standard** Fit on 4/5 mm (3/16")



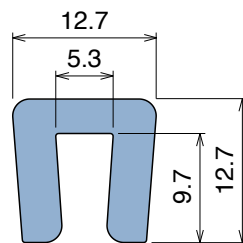
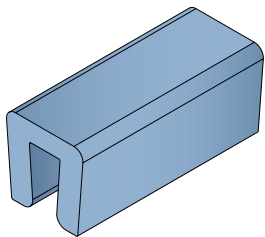
| Article-Nr. | Material        | Availability | Supply     |
|-------------|-----------------|--------------|------------|
| 15300C      | <b>BluLub</b>   | Stock item   | 3 m bars   |
| 15300       | <b>BluLub</b>   | On request   | 6 m bars   |
| 15300-30    | <b>BluLub</b>   | Stock item   | 30 m coils |
| 15303C      | <b>Ti-White</b> | Stock item   | 3 m bars   |
| 15303       | <b>Ti-White</b> | On request   | 6 m bars   |
| 15303-30    | <b>Ti-White</b> | Stock item   | 30 m coils |
| 15305C      | Blue            | On request   | 3 m bars   |
| 15305       | Blue            | On request   | 6 m bars   |
| 15305-30    | Blue            | On request   | 30 m coils |
| 15302C      | Green           | Stock item   | 3 m bars   |
| 15302       | Green           | On request   | 6 m bars   |
| 15302-30    | Green           | On request   | 30 m coils |



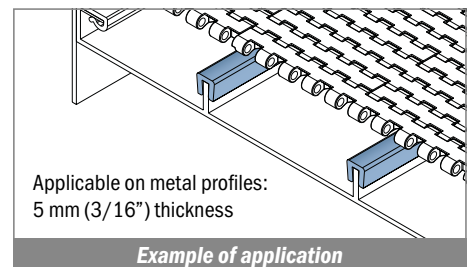
## 1006

### Copri profilo / Bar cap / Abdeckprofil

Delivery: **Easy** **Standard** Fit on 5 mm (3/16")



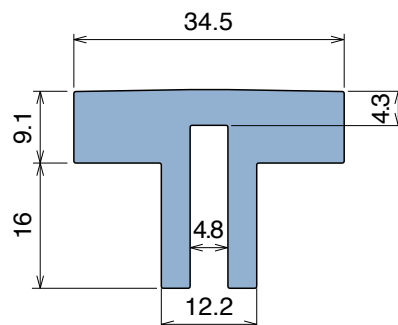
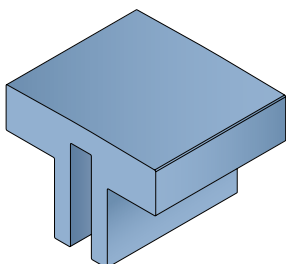
| Article-Nr. | Material        | Availability | Supply     |
|-------------|-----------------|--------------|------------|
| 100600B-30  | <b>BluLub</b>   | On request   | 30 m coils |
| 100603-30   | <b>Ti-White</b> | Stock item   | 30 m coils |
| 100605-30   | Blue            | On request   | 30 m coils |



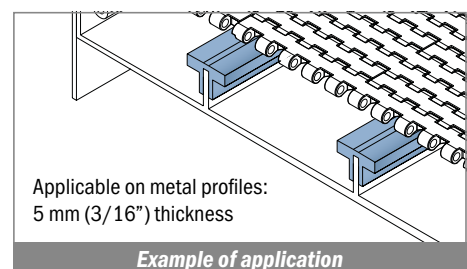
## 1007

### Copri profilo / Bar cap / Abdeckprofil

Delivery: **Easy** **Standard** Fit on 5 mm (3/16")



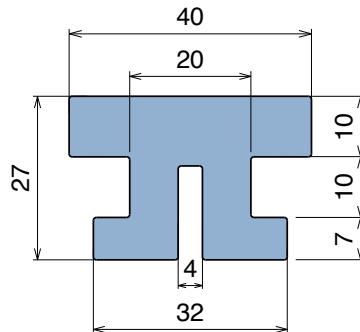
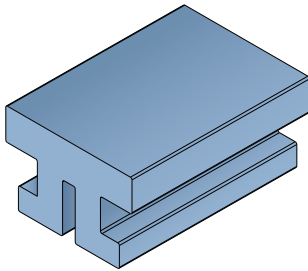
| Article-Nr. | Material        | Availability | Supply   |
|-------------|-----------------|--------------|----------|
| 100703BC    | <b>BluLub</b>   | Stock item   | 3 m bars |
| 100703B     | <b>BluLub</b>   | On request   | 6 m bars |
| 100703C     | <b>Ti-White</b> | Stock item   | 3 m bars |
| 100703      | <b>Ti-White</b> | On request   | 6 m bars |
| 100705C     | Blue            | On request   | 3 m bars |
| 100705      | Blue            | On request   | 6 m bars |



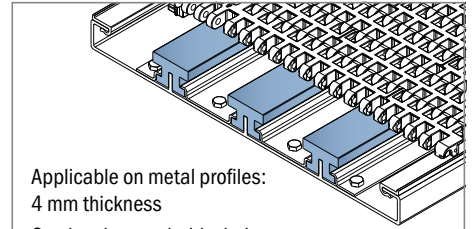
## NEW 1095

### Copri profilo / Bar cap / Abdeckprofil

Fit on 4 mm



| Article-Nr. | Material | Availability | Supply   |
|-------------|----------|--------------|----------|
| 109504C     | BluLub   | On request   | 3 m bars |
| 109503C     | Ti-White | On request   | 3 m bars |
| 109501C     | Blue     | On request   | 3 m bars |



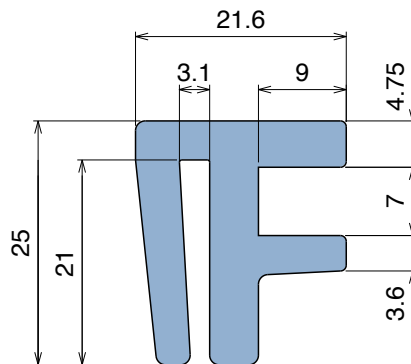
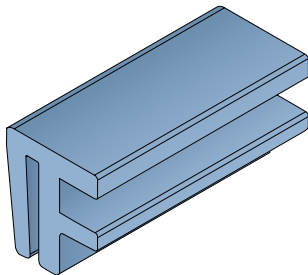
Applicable on metal profiles:  
4 mm thickness  
Can be also used with chains.

Example of application

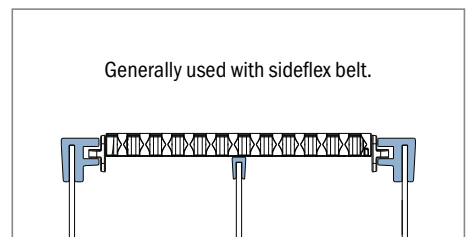
## 1040

### Copri profilo / Bar cap / Abdeckprofil

Delivery: **Easy** **Standard** Fit on 3 mm (1/8")



| Article-Nr. | Material | Availability | Supply   |
|-------------|----------|--------------|----------|
| 104000BC    | BluLub   | On request   | 3 m bars |
| 104000B     | BluLub   | On request   | 6 m bars |
| 104003C     | Ti-White | Stock item   | 3 m bars |
| 104003      | Ti-White | On request   | 6 m bars |
| 104005C     | Blue     | On request   | 3 m bars |
| 104005      | Blue     | On request   | 6 m bars |



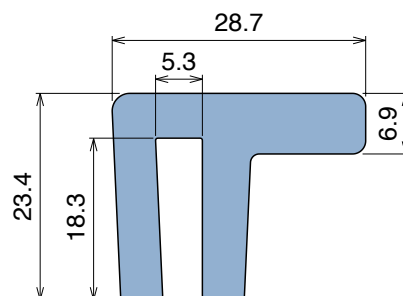
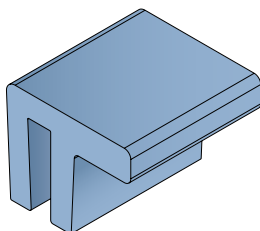
Generally used with sideflex belt.

Example of application

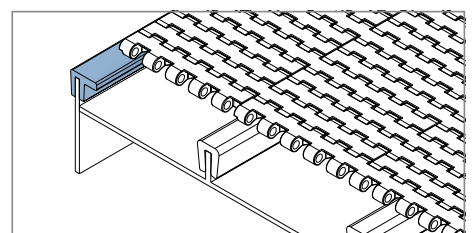
## 1008

### Copri profilo / Bar cap / Abdeckprofil

Delivery: **Easy** **Standard** Fit on 5 mm (3/16")



| Article-Nr. | Material | Availability | Supply   |
|-------------|----------|--------------|----------|
| 100803BC    | BluLub   | Stock item   | 3 m bars |
| 100803B     | BluLub   | On request   | 6 m bars |
| 100803C     | Ti-White | Stock item   | 3 m bars |
| 100803      | Ti-White | Stock item   | 6 m bars |
| 100805C     | Blue     | On request   | 3 m bars |
| 100805      | Blue     | On request   | 6 m bars |



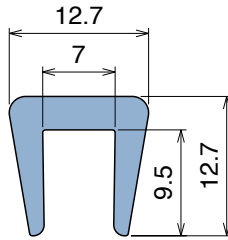
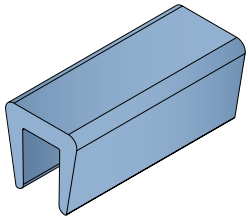
Applicable on metal profiles:  
5 mm (3/16") thickness

Example of application

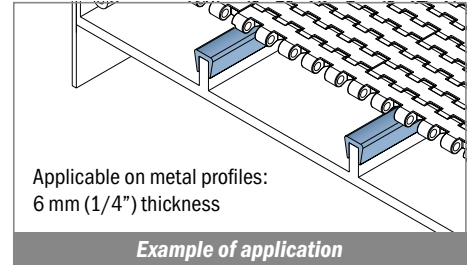
## 1009

### Copri profilo / Bar cap / Abdeckprofil

Delivery: **Easy** **Standard** Fit on 6 mm (1/4")



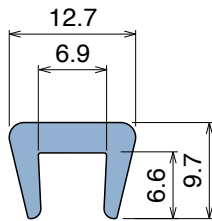
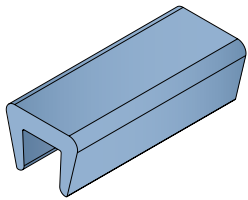
| Article-Nr. | Material | Availability | Supply     |
|-------------|----------|--------------|------------|
| 100900B-30  | BluLub   | On request   | 30 m coils |
| 100903-30   | Ti-White | Stock item   | 30 m coils |
| 100905-30   | Blue     | On request   | 30 m coils |



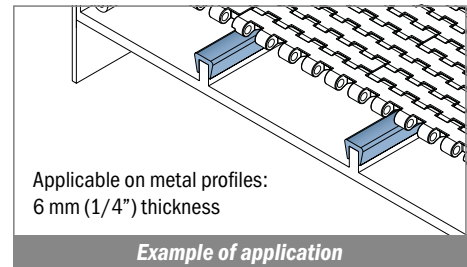
## 1010

### Copri profilo / Bar cap / Abdeckprofil

Delivery: **Easy** **Standard** Fit on 6 mm (1/4")



| Article-Nr. | Material | Availability | Supply     |
|-------------|----------|--------------|------------|
| 101000B-30  | BluLub   | On request   | 30 m coils |
| 101003-30   | Ti-White | Stock item   | 30 m coils |
| 101005-30   | Blue     | On request   | 30 m coils |

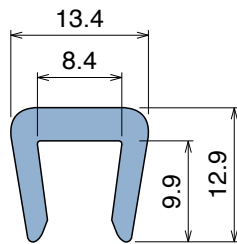
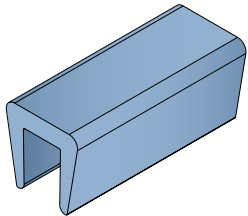


NEW

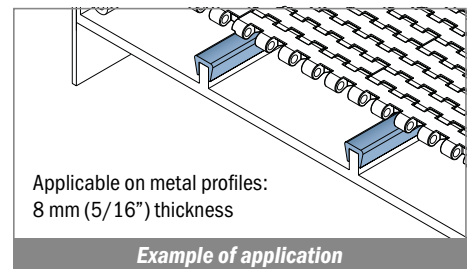
## 1086

### Copri profilo / Bar cap / Abdeckprofil

Fit on 8 mm (5/16")



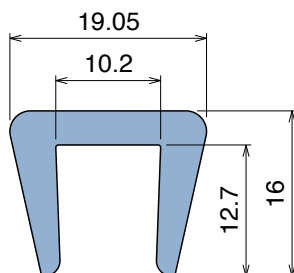
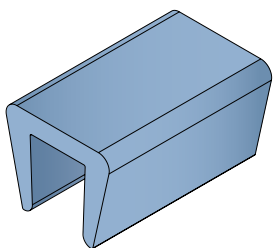
| Article-Nr. | Material | Availability | Supply     |
|-------------|----------|--------------|------------|
| 108600B-30  | BluLub   | On request   | 30 m coils |
| 108603-30   | Ti-White | On request   | 30 m coils |
| 108605-30   | Blue     | On request   | 30 m coils |



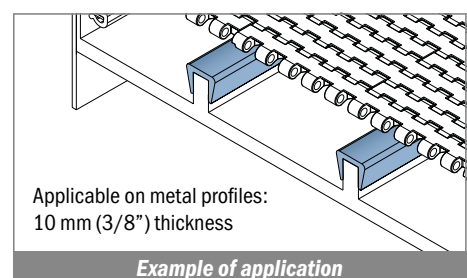
## 1011

### Copri profilo / Bar cap / Abdeckprofil

Fit on 10 mm (3/8")

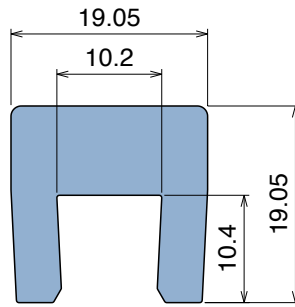
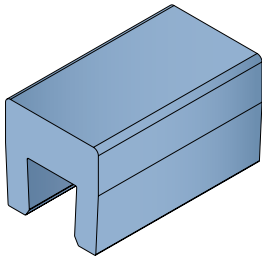


| Article-Nr. | Material | Availability | Supply     |
|-------------|----------|--------------|------------|
| 101100B-30  | BluLub   | On request   | 30 m coils |
| 101103-30   | Ti-White | On request   | 30 m coils |
| 101105-30   | Blue     | On request   | 30 m coils |

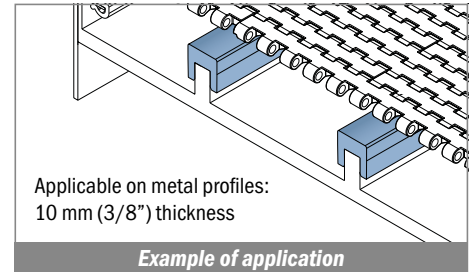


## 1013 Copri profilo / Bar cap / Abdeckprofil

Fit on 10 mm (3/8")

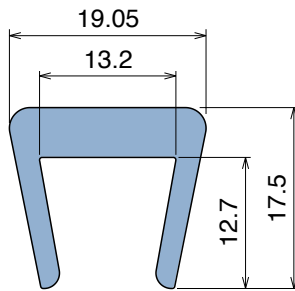
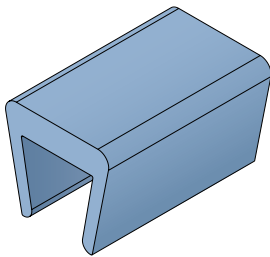


| Article-Nr. | Material | Availability | Supply   |
|-------------|----------|--------------|----------|
| 101300BC    | BluLub   | On request   | 3 m bars |
| 101300B     | BluLub   | On request   | 6 m bars |
| 101303C     | Ti-White | On request   | 3 m bars |
| 101303      | Ti-White | On request   | 6 m bars |
| 101305C     | Blue     | On request   | 3 m bars |
| 101305      | Blue     | On request   | 6 m bars |

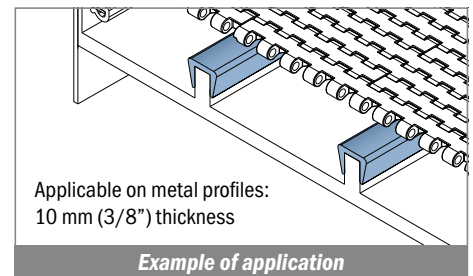


## 1012 Copri profilo / Bar cap / Abdeckprofil

Delivery: **Easy** **Standard** Fit on 12/13 mm (1/2")

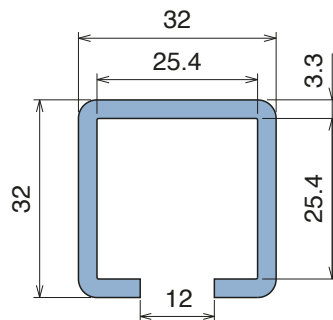
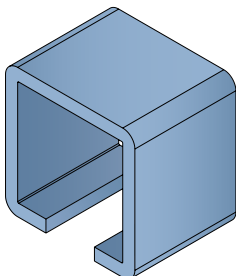


| Article-Nr. | Material | Availability | Supply     |
|-------------|----------|--------------|------------|
| 101200B-30  | BluLub   | On request   | 30 m coils |
| 101203-30   | Ti-White | Stock item   | 30 m coils |
| 101205-30   | Blue     | On request   | 30 m coils |

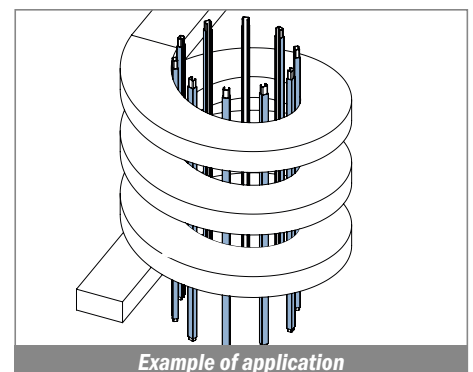


## 181 Copri profilo / Bar cover / Abdeckprofil

Delivery: **Easy** **Standard** Fit on 25.4 x 25.4 mm (1" x 1")

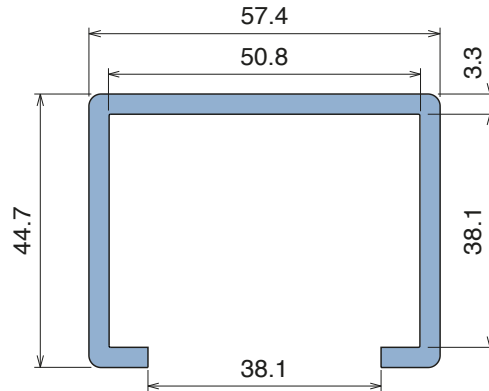
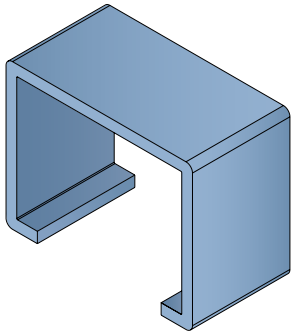


| Article-Nr. | Material | Availability | Supply   |
|-------------|----------|--------------|----------|
| 18100BC     | BluLub   | On request   | 3 m bars |
| 18100B      | BluLub   | On request   | 6 m bars |
| 18103C      | Ti-White | Stock item   | 3 m bars |
| 18103       | Ti-White | On request   | 6 m bars |
| 18105C      | Blue     | On request   | 3 m bars |
| 18105       | Blue     | On request   | 6 m bars |

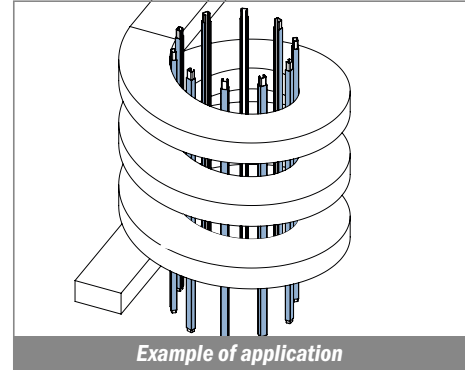


## 1052 Copri profilo / Bar cover / Abdeckprofil

Delivery: **Easy** **Standard** Fit on 38.1 x 50.8 mm (1-1/2"x2")

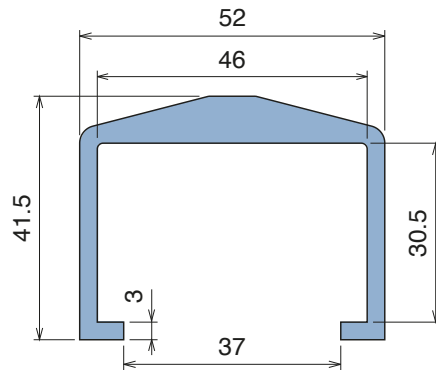
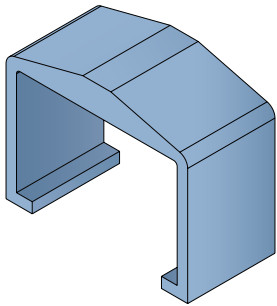


| Article-Nr. | Material | Availability | Supply   |
|-------------|----------|--------------|----------|
| 105200BC    | BluLub   | On request   | 3 m bars |
| 105200B     | BluLub   | On request   | 6 m bars |
| 105203C     | Ti-White | Stock item   | 3 m bars |
| 105203      | Ti-White | On request   | 6 m bars |
| 105205C     | Blue     | On request   | 3 m bars |
| 105205      | Blue     | On request   | 6 m bars |

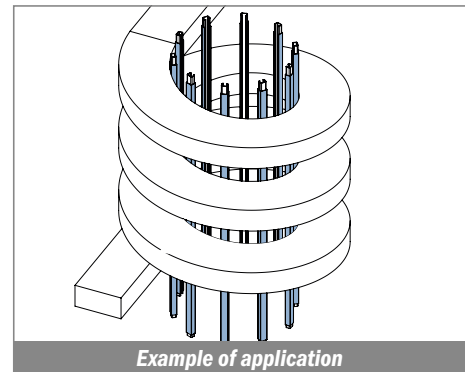


## 180 Copri profilo / Bar cover / Abdeckprofil

Fit on 30.5 x 46 mm

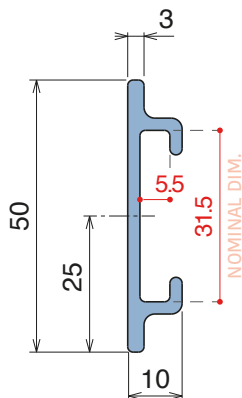
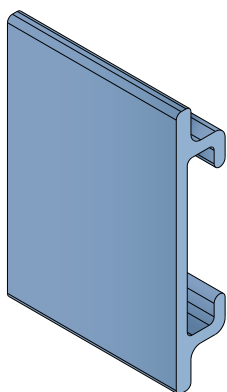


| Article-Nr. | Material | Availability | Supply   |
|-------------|----------|--------------|----------|
| 18000BC     | BluLub   | On request   | 3 m bars |
| 18000B      | BluLub   | On request   | 6 m bars |
| 18003C      | Ti-White | On request   | 3 m bars |
| 18003       | Ti-White | On request   | 6 m bars |
| 18005C      | Blue     | On request   | 3 m bars |
| 18005       | Blue     | On request   | 6 m bars |



## 1063 Guida laterale / Side guide / Seitenführung

Delivery: **Easy** **Standard** Fit on 30 x 4 mm



| Article-Nr. | Material | Availability | Supply   |
|-------------|----------|--------------|----------|
| 106300BC    | BluLub   | On request   | 3 m bars |
| 106301C     | Black    | Stock item   | 3 m bars |
| 106302C     | Green    | Stock item   | 3 m bars |

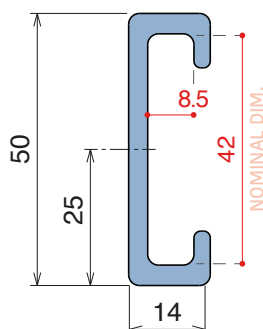
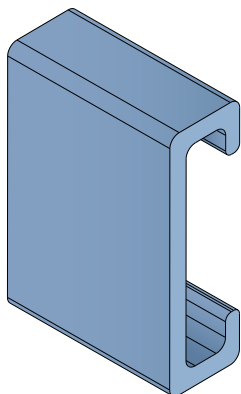
**Plate**  
30 x 4 mm



Option of application - Plate

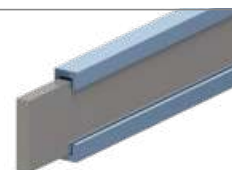
## 137 Guida laterale / Side guide / Seitenführung

Delivery: **Easy** **Standard** Fit on 40 x 8 mm



| Article-Nr. | Material | Availability | Supply   |
|-------------|----------|--------------|----------|
| 13701BC     | BluLub   | Stock item   | 3 m bars |
| 13701B      | BluLub   | On request   | 6 m bars |
| 13703C      | Ti-White | Stock item   | 3 m bars |
| 13703       | Ti-White | On request   | 6 m bars |
| 13702C      | Black    | Stock item   | 3 m bars |
| 13702       | Black    | On request   | 6 m bars |
| 13705C      | Blue     | On request   | 3 m bars |
| 13705       | Blue     | On request   | 6 m bars |
| 13701C      | Green    | Stock item   | 3 m bars |
| 13701       | Green    | Stock item   | 6 m bars |

**Plate**  
40 x 8 mm



Option of application - Plate

**Part 117**  
Pag 410



Option of application - M-Profile

**Part 1055**  
Pag 410

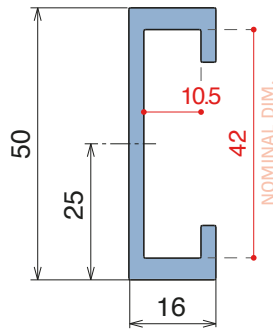
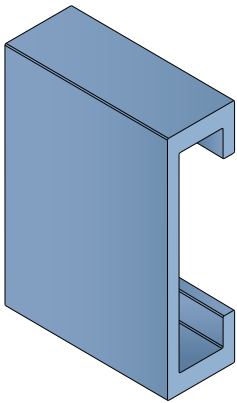


Option of application - Guide



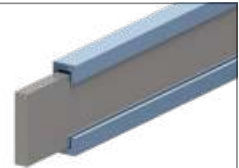
## 137 Guida laterale / Side guide / Seitenführung

Delivery: **Easy** **Standard** Fit on 40 x 10 mm



| Article-Nr. | Material | Availability | Supply   |
|-------------|----------|--------------|----------|
| 13711BC     | BluLub   | Stock item   | 3 m bars |
| 13711B      | BluLub   | On request   | 6 m bars |
| 13713C      | Ti-White | On request   | 3 m bars |
| 13713       | Ti-White | On request   | 6 m bars |
| 13712C      | Black    | On request   | 3 m bars |
| 13712       | Black    | On request   | 6 m bars |
| 13715C      | Blue     | On request   | 3 m bars |
| 13715       | Blue     | On request   | 6 m bars |
| 13711C      | Green    | Stock item   | 3 m bars |
| 13711       | Green    | Stock item   | 6 m bars |

**Plate**  
40 x 10 mm



Option of application - Plate

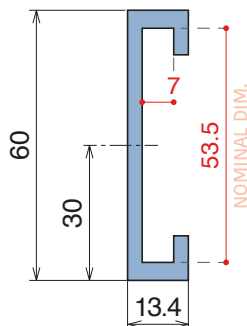
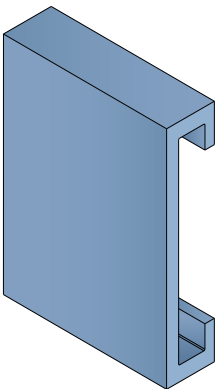
**Part 117**  
Pag 410



Option of application - M-Profile

## 158 Guida laterale / Side guide / Seitenführung

Delivery: **Easy** **Standard** Fit on 40 x 10 mm



| Article-Nr. | Material | Availability | Supply   |
|-------------|----------|--------------|----------|
| 15800BC     | BluLub   | Stock item   | 3 m bars |
| 15894C      | Ti-White | On request   | 3 m bars |
| 15898C      | Black    | Stock item   | 3 m bars |
| 15894BLC    | Blue     | On request   | 3 m bars |
| 15897C      | Green    | Stock item   | 3 m bars |
| 15800C      | Grey     | Stock item   | 3 m bars |

**Plate**  
40 x 10 mm



Option of application - Plate

**Part 159**  
Pag 410

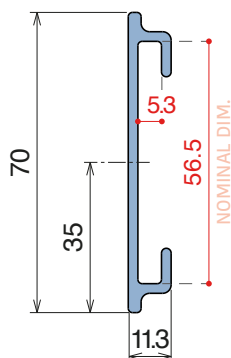
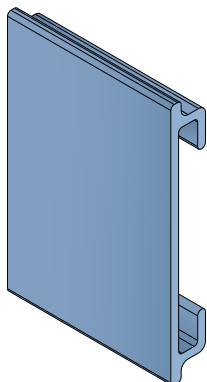


Option of application - Guide

## 1064

### Guida laterale / Side guide / Seitenführung

Delivery: **Easy** **Standard** Fit on 55 x 4 mm



| Article-Nr. | Material | Availability | Supply   |
|-------------|----------|--------------|----------|
| 106400BC    | BluLub   | On request   | 3 m bars |
| 106403C     | Ti-White | On request   | 3 m bars |
| 106401C     | Black    | Stock item   | 3 m bars |
| 106405C     | Blue     | On request   | 3 m bars |

**Plate**  
55 x 4 mm

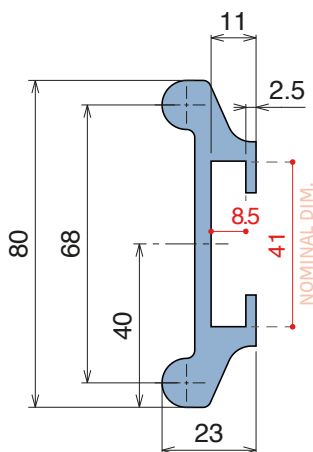
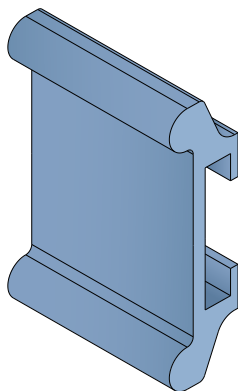


Option of application - Plate

## 183

### Guida laterale / Side guide / Seitenführung

Delivery: **Easy** **Standard** Fit on 40 x 8 mm



| Article-Nr. | Material | Availability | Supply   |
|-------------|----------|--------------|----------|
| 18301BC     | BluLub   | Stock item   | 3 m bars |
| 18301C      | Black    | Stock item   | 3 m bars |
| 18305C      | Blue     | On request   | 3 m bars |
| 18397C      | Green    | Stock item   | 3 m bars |

**Plate**  
40 x 8 mm



Option of application - Plate

**Part 117**  
Pag 410



Option of application - M-Profile

**Part 1055**  
Pag 410



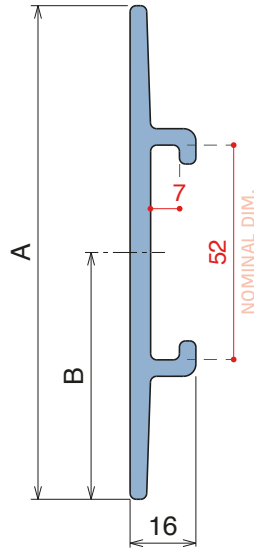
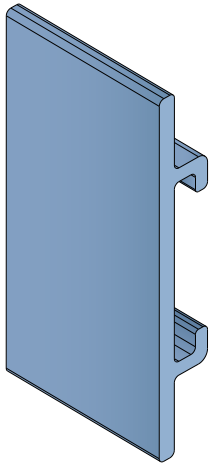
Option of application - Guide

NEW

## 158

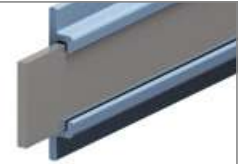
### Guida laterale / Side guide / Seitenführung

Delivery: **Easy** **Standard** Fit on 50 x 6 mm



| Article-Nr. | A   | B  | Material | Availability | Supply   |
|-------------|-----|----|----------|--------------|----------|
| 15801BC     | 90  | 45 | BluLub   | Stock item   | 3 m bars |
| 15802BC     | 100 | 50 | BluLub   | Stock item   | 3 m bars |
| 15803BC     | 120 | 60 | BluLub   | Stock item   | 3 m bars |
| 15804BC     | 140 | 70 | BluLub   | On request   | 3 m bars |
| 15831C      | 90  | 45 | Ti-White | On request   | 3 m bars |
| 15832C      | 100 | 50 | Ti-White | On request   | 3 m bars |
| 15833C      | 120 | 60 | Ti-White | On request   | 3 m bars |
| 15834C      | 140 | 70 | Ti-White | On request   | 3 m bars |
| 15801BLC    | 90  | 45 | Blue     | On request   | 3 m bars |
| 15802BLC    | 100 | 50 | Blue     | On request   | 3 m bars |
| 15803BLC    | 120 | 60 | Blue     | On request   | 3 m bars |
| 15804BLC    | 140 | 70 | Blue     | On request   | 3 m bars |
| 15801C      | 90  | 45 | Grey     | Stock item   | 3 m bars |
| 15802C      | 100 | 50 | Grey     | Stock item   | 3 m bars |
| 15803C      | 120 | 60 | Grey     | Stock item   | 3 m bars |
| 15804C      | 140 | 70 | Grey     | On request   | 3 m bars |

**Plate**  
50 x 6 mm



Option of application - Plate

**Part 159**  
Pag 410



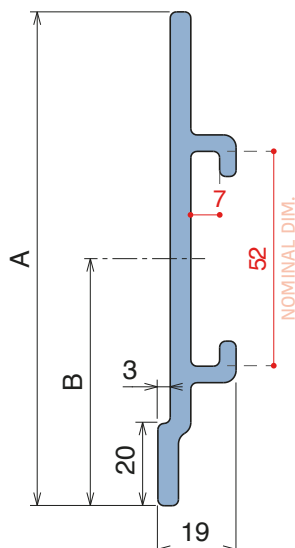
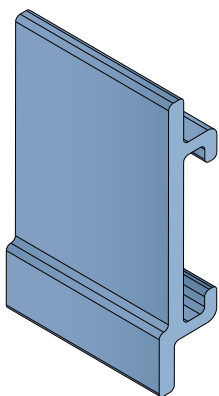
Option of application - Guide

NEW

## 194

### Guida laterale con salva etichetta / Side guide with lable saver / Seitenführung mit Etikettenschutz

Delivery: **Easy** **Standard** Fit on 50 x 6 mm



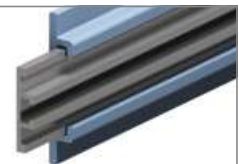
| Article-Nr. | A   | B  | Material | Availability | Supply   |
|-------------|-----|----|----------|--------------|----------|
| 19400BC     | 90  | 45 | BluLub   | Stock item   | 3 m bars |
| 19403BC     | 120 | 60 | BluLub   | Stock item   | 3 m bars |
| 19430C      | 90  | 45 | Ti-White | On request   | 3 m bars |
| 19433C      | 120 | 60 | Ti-White | On request   | 3 m bars |
| 19400BLC    | 90  | 45 | Blue     | On request   | 3 m bars |
| 19403BLC    | 120 | 60 | Blue     | On request   | 3 m bars |
| 19400C      | 90  | 45 | Grey     | On request   | 3 m bars |
| 19403C      | 120 | 60 | Grey     | On request   | 3 m bars |

**Plate**  
50 x 6 mm



Option of application - Plate

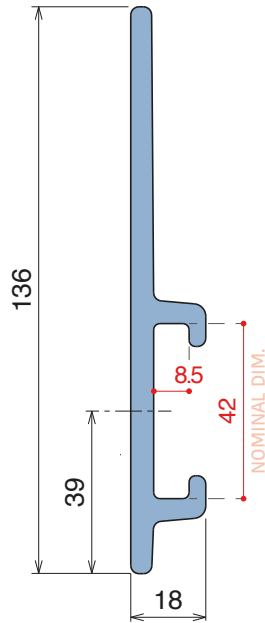
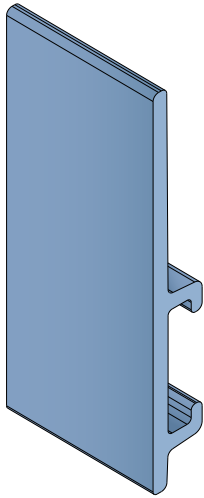
**Part 159**  
Pag 410



Option of application - Guide

## 189 Guida laterale / Side guide / Seitenführung

Delivery: **Easy** **Standard** Fit on 40 x 8 mm



| Article-Nr.     | Material      | Availability | Supply   |
|-----------------|---------------|--------------|----------|
| <b>18912BC</b>  | <b>BluLub</b> | Stock item   | 3 m bars |
| <b>18912BLC</b> | Blue          | On request   | 3 m bars |
| <b>18916C</b>   | Grey          | On request   | 3 m bars |



**Plate**  
40 x 8 mm

Option of application - Plate



**Part 117**  
Pag 410

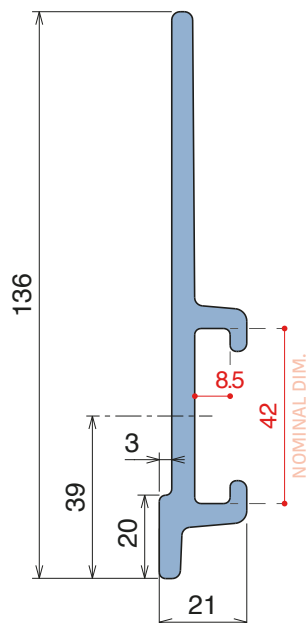
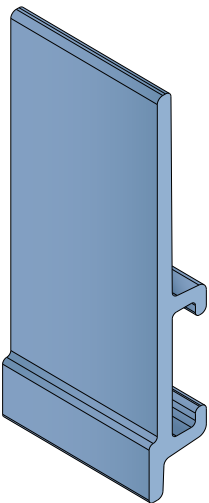
Option of application - M-Profile



**Part 1055**  
Pag 410

Option of application - Guide

### Guida laterale con salva etichetta Side guide with label saver / Seitenführung mit Etikettenschutz



| Article-Nr.     | Material      | Availability | Supply   |
|-----------------|---------------|--------------|----------|
| <b>18910BC</b>  | <b>BluLub</b> | Stock item   | 3 m bars |
| <b>18910BLC</b> | Blue          | On request   | 3 m bars |
| <b>18914C</b>   | Grey          | Stock item   | 3 m bars |



**Plate**  
40 x 8 mm

Option of application - Plate



**Part 117**  
Pag 410

Option of application - M-Profile

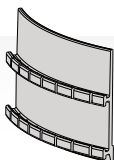


**Part 1055**  
Pag 410

Option of application - Guide

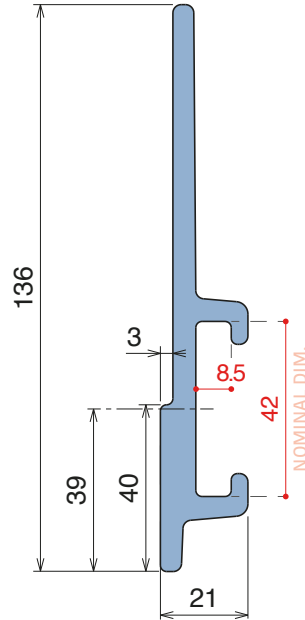
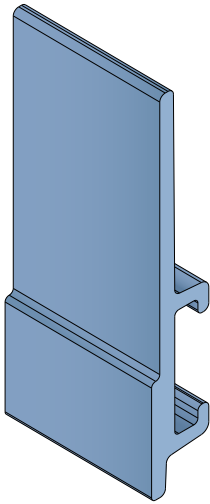
#### Easy Bendable

For the grooved version, just add "-S" to the related Article Nr.



## Guida laterale con salva etichetta

Side guide with lable saver / Seitenführung mit Etikettenschutz



| Article-Nr. | Material | Availability | Supply   |
|-------------|----------|--------------|----------|
| 18911BC     | BluLub   | Stock item   | 3 m bars |
| 18911BLC    | Blue     | On request   | 3 m bars |
| 18915C      | Grey     | On request   | 3 m bars |

**Plate**  
40 x 8 mm

Valid also for **RS** versions

Option of application - Plate

**Part 117**  
Pag 410

Valid also for **RS** versions

Option of application - M-Profile

**Part 1055**  
Pag 410

Valid also for **RS** versions

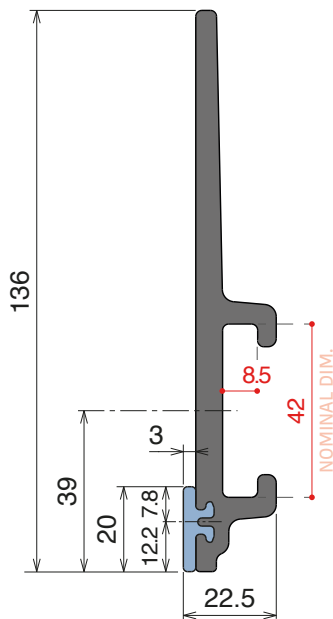
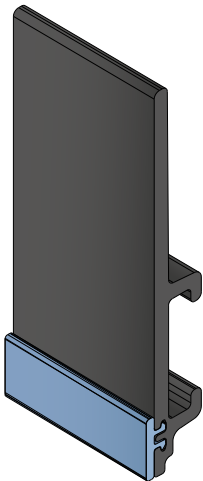
Option of application - Guide

## NEW 1079

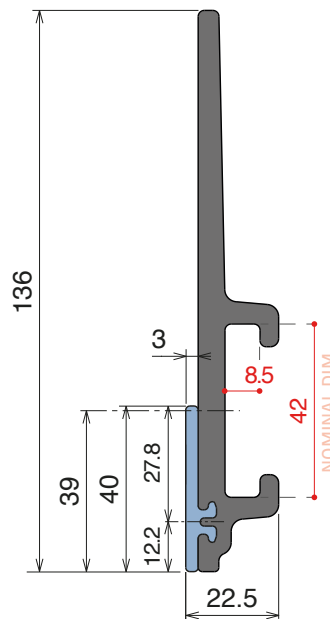
## RS Guida laterale con salva etichetta / Side guide with lable saver / Seitenführung mit Etikettenschutz

Delivery: **Easy** **Standard** Fit on 40 x 8 mm

| Article-Nr. | Version | Material      | Availability | Supply   |
|-------------|---------|---------------|--------------|----------|
| 107900      | A       | Black+ BluLub | On request   | 3 m bars |
| 107901      | B       | Black+ BluLub | On request   | 3 m bars |



VERSION A - Label saver 2 cm



VERSION B - Label saver 4 cm

**Base profile**

| Art-Nr. | Supply   |
|---------|----------|
| 18980   | 3 m bars |

**Label saver 2 cm**

| Art-Nr. | Supply     |
|---------|------------|
| 18987   | 30 m coils |

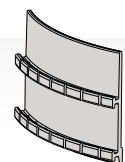
**Label saver 4 cm**

| Art-Nr. | Supply     |
|---------|------------|
| 18988   | 30 m coils |

Single components

### Easy Bendable

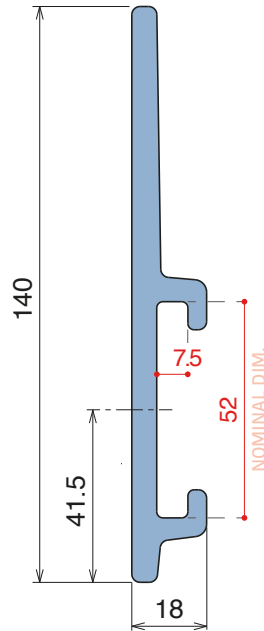
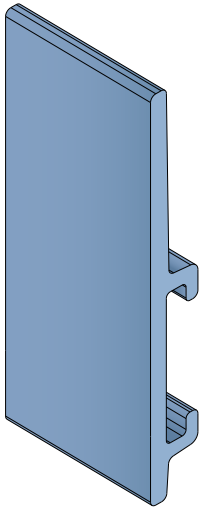
For the grooved version, just add "-S" to the related Article Nr.



## 189

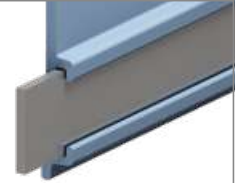
### Guida laterale / Side guide / Seitenführung

Delivery: **Easy** **Standard** Fit on 50 x 6 mm



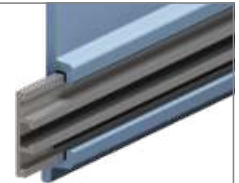
| Article-Nr. | Material | Availability | Supply   |
|-------------|----------|--------------|----------|
| 18902BC     | BluLub   | Stock item   | 3 m bars |
| 18902BLC    | Blue     | On request   | 3 m bars |
| 18906C      | Grey     | On request   | 3 m bars |

**Plate**  
50 x 6 mm



Option of application - Plate

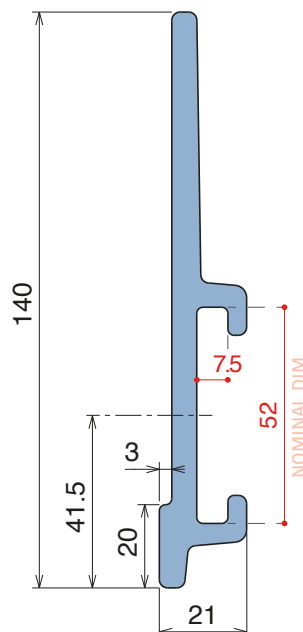
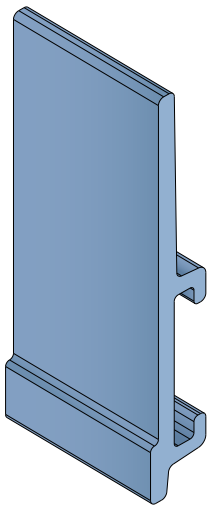
**Part 159**  
Pag 410



Option of application - Guide

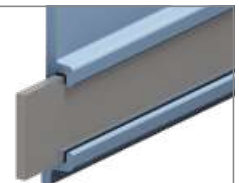
### Guida laterale con salva etichetta

Side guide with label saver / Seitenführung mit Etikettenschutz



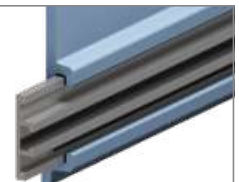
| Article-Nr. | Material | Availability | Supply   |
|-------------|----------|--------------|----------|
| 18900BC     | BluLub   | Stock item   | 3 m bars |
| 18900BLC    | Blue     | On request   | 3 m bars |
| 18904C      | Grey     | Stock item   | 3 m bars |

**Plate**  
50 x 6 mm



Option of application - Plate

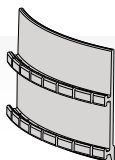
**Part 159**  
Pag 410



Option of application - Guide

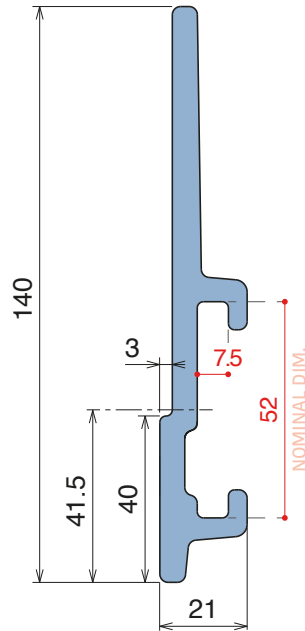
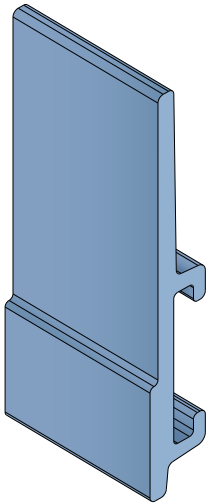
#### Easy Bendable

For the grooved version, just add "-S" to the related Article Nr.



## Guida laterale con salva etichetta

Side guide with lable saver / Seitenführung mit Etikettenschutz



| Article-Nr. | Material | Availability | Supply   |
|-------------|----------|--------------|----------|
| 18901BC     | BluLub   | Stock item   | 3 m bars |
| 18901BLC    | Blue     | On request   | 3 m bars |
| 18905C      | Grey     | On request   | 3 m bars |

**Plate**  
50 x 6 mm



Option of application - Plate

**Part 159**  
Pag 410

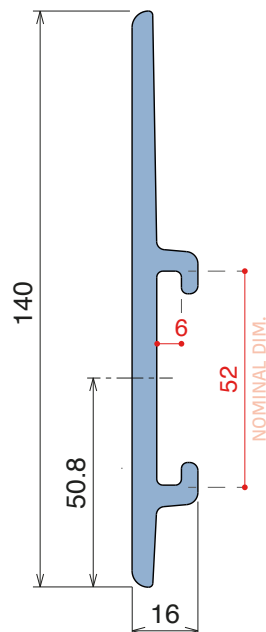
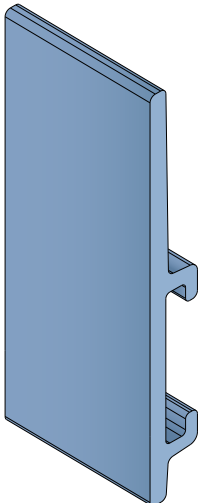


Option of application - Guide

## NEW 1096

Guida laterale con salva etichetta / Side guide with lable saver / Seitenführung mit Etikettenschutz

Delivery: **Easy** **Standard** Fit on 50 x 5 mm



| Article-Nr. | Material | Availability | Supply   |
|-------------|----------|--------------|----------|
| 109600BC    | BluLub   | Stock item   | 3 m bars |
| 109600BLC   | Blue     | On request   | 3 m bars |
| 109605C     | Grey     | On request   | 3 m bars |

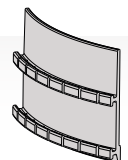
**Plate**  
50 x 5 mm



Option of application - Plate

**Easy Bendable**

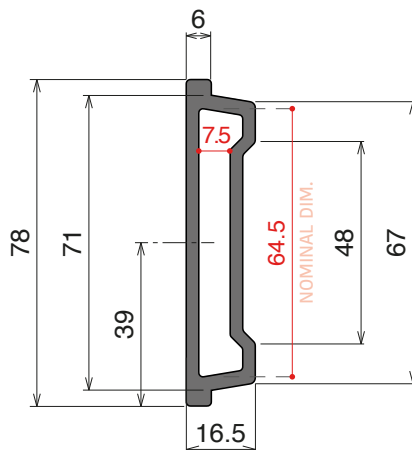
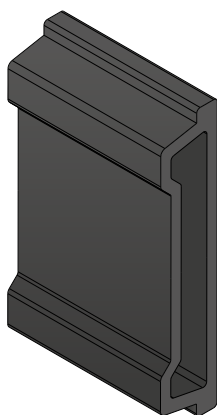
For the grooved version, just add "-S" to the related Article Nr.



## 135

### Guida laterale / Side guide / Seitenführung

Delivery: **Easy** **Standard** Fit on 60 x 6 mm



| Article-Nr.   | Material      | Availability | Supply   |
|---------------|---------------|--------------|----------|
| <b>13501C</b> | Black         | Stock item   | 3 m bars |
| <b>13501</b>  | Black         | Stock item   | 6 m bars |
| <b>13502C</b> | Blue RAL 5012 | Stock item   | 3 m bars |
| <b>13502</b>  | Blue RAL 5012 | Stock item   | 6 m bars |

**Plate**  
60 x 6 mm



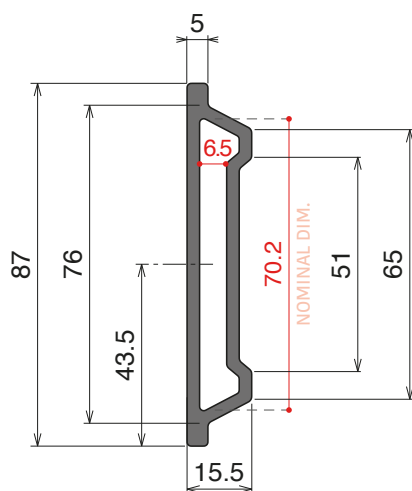
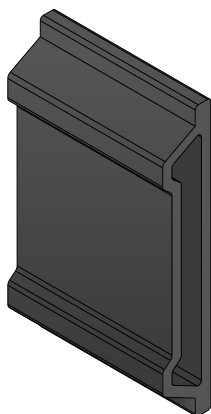
**Part 3310**  
pag 477

Option of application - Plate

## 136

### Guida laterale / Side guide / Seitenführung

Delivery: **Easy** **Standard** Fit on 60 x 6 mm



| Article-Nr.   | Material      | Availability | Supply   |
|---------------|---------------|--------------|----------|
| <b>13601C</b> | Black         | Stock item   | 3 m bars |
| <b>13601</b>  | Black         | On request   | 6 m bars |
| <b>13602C</b> | Blue RAL 5012 | Stock item   | 3 m bars |
| <b>13602</b>  | Blue RAL 5012 | Stock item   | 6 m bars |

**Plate**  
60 x 6 mm



**Part 345**  
pag 477

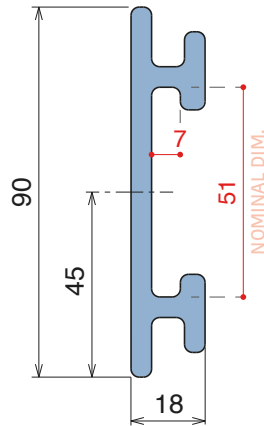
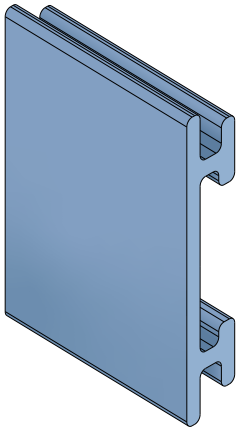
Option of application - Plate



## 1057/1077

### Guida laterale / Side guide / Seitenführung

Delivery: **Easy** **Standard** Fit on 50 x 6 mm



| Article-Nr.      | Material      | Availability | Supply   |
|------------------|---------------|--------------|----------|
| <b>105720BLC</b> | <b>BluLub</b> | Stock item   | 3 m bars |
| <b>105721C</b>   | Black         | On request   | 3 m bars |
| <b>105725C</b>   | Blue          | On request   | 3 m bars |
| <b>105724C</b>   | Grey          | On request   | 3 m bars |

#### Plate

50 x 6 mm

Valid also for **RS** versions



Option of application - Plate

#### Part 159

Pag 410

Valid also for **RS** versions

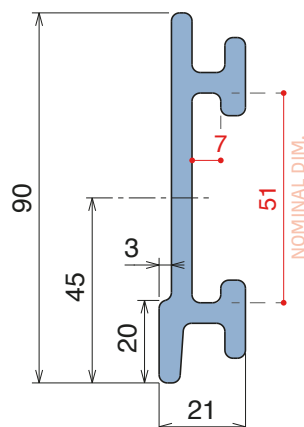
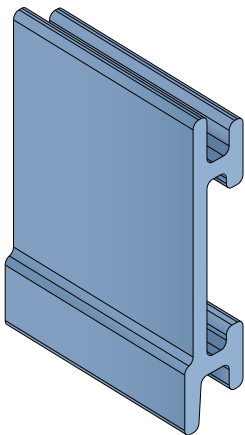


**Part 3311**  
pag 477

Option of application - Guide

### Guida laterale con salva etichetta

Side guide with lable saver / Seitenführung mit Etikettenschutz



| Article-Nr.      | Material      | Availability | Supply   |
|------------------|---------------|--------------|----------|
| <b>107720BLC</b> | <b>BluLub</b> | Stock item   | 3 m bars |
| <b>107721C</b>   | Black         | On request   | 3 m bars |
| <b>107725C</b>   | Blue          | On request   | 3 m bars |
| <b>107724C</b>   | Grey          | On request   | 3 m bars |

#### Plate

50 x 6 mm

Valid also for **RS** versions



Option of application - Plate

#### Part 159

Pag 410

Valid also for **RS** versions

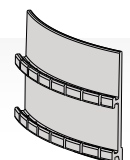


**Part 3311**  
pag 477

Option of application - Guide

#### Easy Bendable

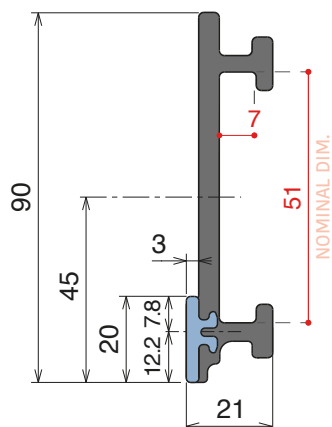
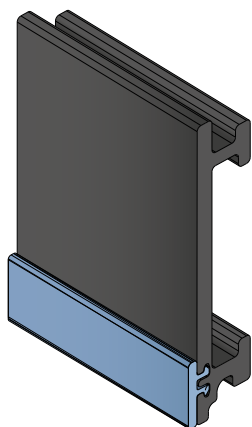
For the grooved version, just add "-S" to the related Article Nr.



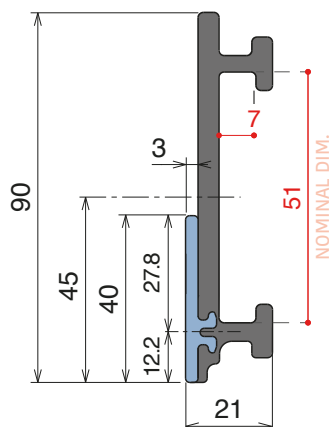
## NEW 1077/1078

**RS** Guida laterale con salva etichetta / Side guide with lable saver / Seitenführung mit Etikettenschutz

| Delivery: | Easy | Standard | Fit on 50 x 6 mm | Article-Nr.   | Version | Material             | Availability | Supply   |
|-----------|------|----------|------------------|---------------|---------|----------------------|--------------|----------|
|           |      |          |                  | <b>107722</b> | A       | Black+ <b>BluLub</b> | On request   | 3 m bars |
|           |      |          |                  | <b>107723</b> | B       | Black+ <b>BluLub</b> | On request   | 3 m bars |



VERSION A - Label saver 2 cm



VERSION B - Label saver 4 cm

| Base profile  |          |
|---------------|----------|
| Art-Nr.       | Supply   |
| <b>107790</b> | 3 m bars |

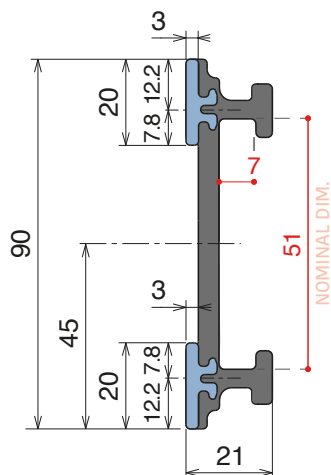
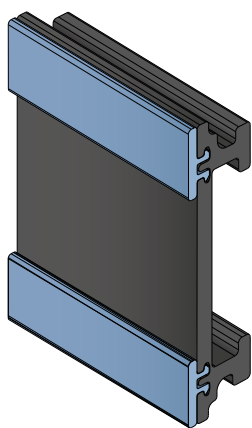
| Label saver 2 cm |            |
|------------------|------------|
| Art-Nr.          | Supply     |
| <b>18987</b>     | 30 m coils |

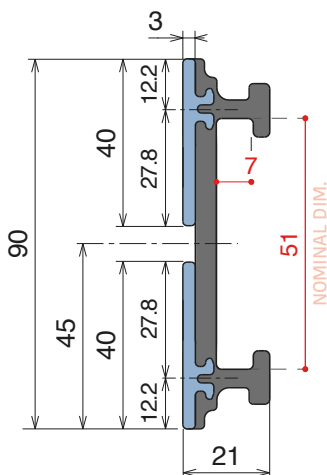
| Label saver 4 cm |            |
|------------------|------------|
| Art-Nr.          | Supply     |
| <b>18988</b>     | 30 m coils |

Single components

Guida laterale con salva etichetta  
Side guide with lable saver / Seitenführung mit Etikettenschutz



VERSION A - Label saver 2 cm



VERSION B - Label saver 4 cm

| Article-Nr.   | Version | Material             | Availability | Supply   |
|---------------|---------|----------------------|--------------|----------|
| <b>107822</b> | A       | Black+ <b>BluLub</b> | On request   | 3 m bars |
| <b>107823</b> | B       | Black+ <b>BluLub</b> | On request   | 3 m bars |

| Base profile  |          |
|---------------|----------|
| Art-Nr.       | Supply   |
| <b>107890</b> | 3 m bars |

| Label saver 2 cm |            |
|------------------|------------|
| Art-Nr.          | Supply     |
| <b>18987</b>     | 30 m coils |

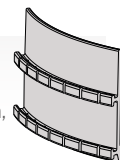
| Label saver 4 cm |            |
|------------------|------------|
| Art-Nr.          | Supply     |
| <b>18988</b>     | 30 m coils |

Label saver 2 cm and 4 cm can also be combined together to obtain different version.

Single components

### Easy Bendable

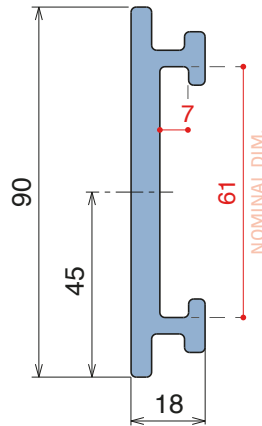
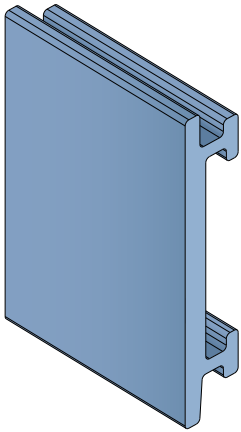
For the grooved version, just add "S" to the related Article Nr.



## 1057/1077

### Guida laterale / Side guide / Seitenführung

Delivery: **Easy** **Standard** Fit on 60 x 6 mm



| Article-Nr. | Material      | Availability | Supply   |
|-------------|---------------|--------------|----------|
| 105700BC    | <b>BluLub</b> | Stock item   | 3 m bars |
| 105711C     | Black         | Stock item   | 3 m bars |
| 105705C     | Blue          | On request   | 3 m bars |
| 105704C     | Grey          | Stock item   | 3 m bars |

#### Plate

60 x 6 mm

Valid also for **RS** versions



Option of application - Plate

#### Part 1089

Pag 410

Valid also for **RS** versions

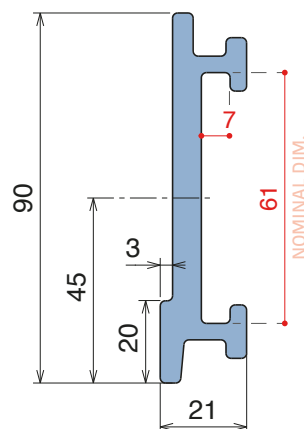
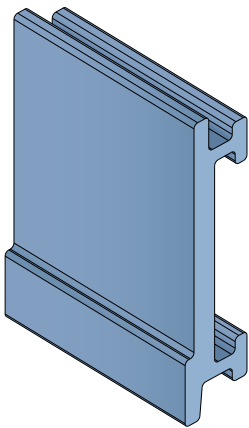


**Part 3311**  
pag 477

Option of application - Guide

### Guida laterale con salva etichetta

Side guide with lable saver / Seitenführung mit Etikettenschutz



| Article-Nr. | Material      | Availability | Supply   |
|-------------|---------------|--------------|----------|
| 107700BC    | <b>BluLub</b> | On request   | 3 m bars |
| 107711C     | Black         | On request   | 3 m bars |
| 107705C     | Blue          | On request   | 3 m bars |
| 107704C     | Grey          | On request   | 3 m bars |

#### Plate

60 x 6 mm

Valid also for **RS** versions



Option of application - Plate

#### Part 1089

Pag 410

Valid also for **RS** versions

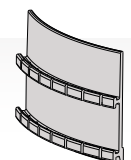


**Part 3311**  
pag 477

Option of application - Guide

#### Easy Bendable

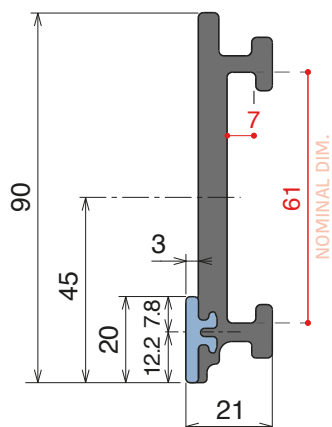
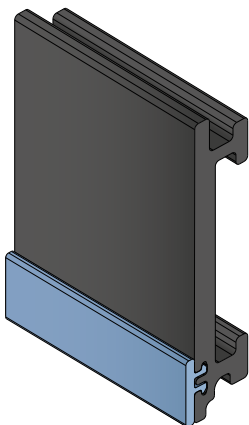
For the grooved version, just add "-S" to the related Article Nr.



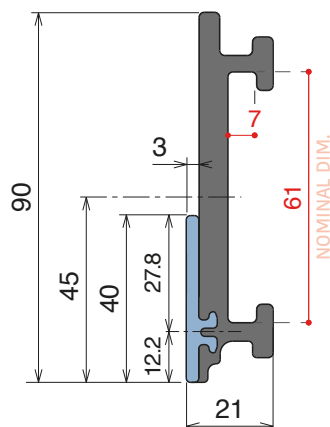
## NEW 1077/1078

**RS** Guida laterale con salva etichetta / Side guide with lable saver / Seitenführung mit Etikettenschutz

| Delivery: | Easy | Standard | Fit on 60 x 6 mm | Article-Nr.   | Version | Material             | Availability | Supply   |
|-----------|------|----------|------------------|---------------|---------|----------------------|--------------|----------|
|           |      |          |                  | <b>107700</b> | A       | Black+ <b>BluLub</b> | On request   | 3 m bars |
|           |      |          |                  | <b>107701</b> | B       | Black+ <b>BluLub</b> | On request   | 3 m bars |



VERSION A - Label saver 2 cm



VERSION B - Label saver 4 cm

### Base profile

| Art-Nr.       | Supply   |
|---------------|----------|
| <b>107791</b> | 3 m bars |

### Label saver 2 cm

| Art-Nr.      | Supply     |
|--------------|------------|
| <b>18987</b> | 30 m coils |

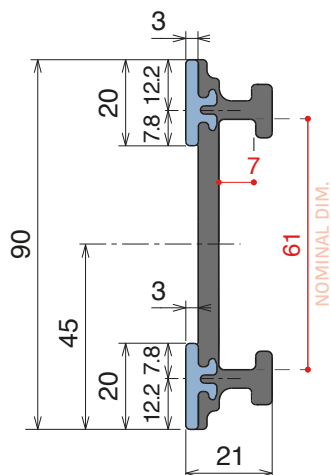
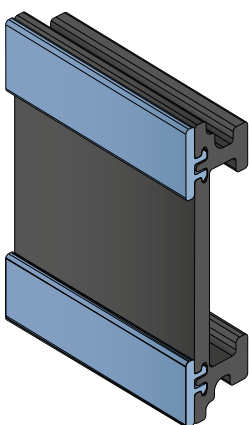
### Label saver 4 cm

| Art-Nr.      | Supply     |
|--------------|------------|
| <b>18988</b> | 30 m coils |

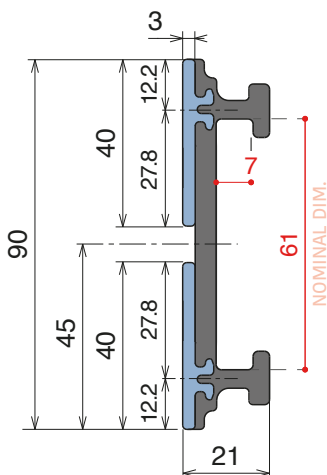
### Single components

### Guida laterale con salva etichetta

Side guide with lable saver / Seitenführung mit Etikettenschutz



VERSION A - Label saver 2 cm



VERSION B - Label saver 4 cm

### Base profile

| Art-Nr.       | Supply   |
|---------------|----------|
| <b>107891</b> | 3 m bars |

### Label saver 2 cm

| Art-Nr.      | Supply     |
|--------------|------------|
| <b>18987</b> | 30 m coils |

### Label saver 4 cm

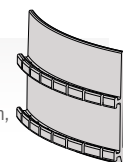
| Art-Nr.      | Supply     |
|--------------|------------|
| <b>18988</b> | 30 m coils |

Label saver 2 cm and 4 cm can also be combined together to obtain different version.

### Single components

### Easy Bendable

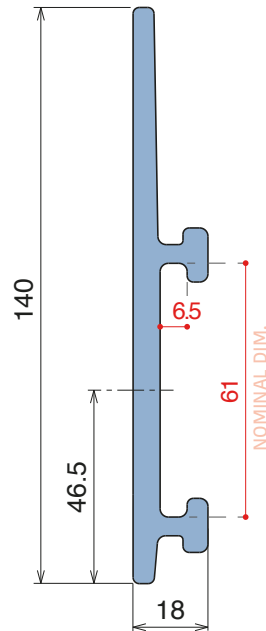
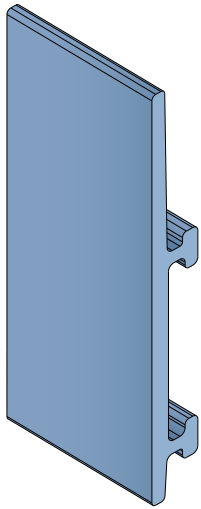
For the grooved version, just add "S" to the related Article Nr.



## 193/189

### Guida laterale / Side guide / Seitenführung

Delivery: **Easy** **Standard** Fit on 60 x 5 mm



| Article-Nr.    | Material      | Availability | Supply   |
|----------------|---------------|--------------|----------|
| <b>19330BC</b> | <b>BluLub</b> | Stock item   | 3 m bars |
| <b>19335C</b>  | Blue          | On request   | 3 m bars |
| <b>19334C</b>  | Grey          | On request   | 3 m bars |

**Plate**  
60 x 5 mm



**Part 3311**  
pag 477

*Option of application - Plate*

**Part 1088**  
Pag 410

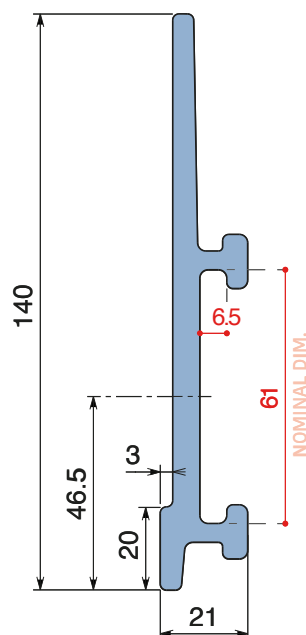
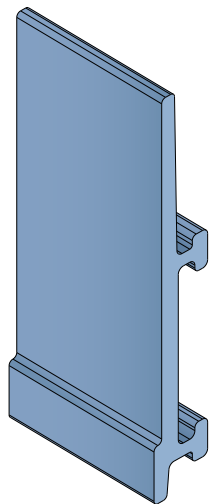


**Part 3311**  
pag 477

*Option of application - Guide*

### Guida laterale con salva etichetta

Side guide with lable saver / Seitenführung mit Etikettenschutz



| Article-Nr.    | Material      | Availability | Supply   |
|----------------|---------------|--------------|----------|
| <b>18980BC</b> | <b>BluLub</b> | Stock item   | 3 m bars |
| <b>18985C</b>  | Blue          | On request   | 3 m bars |
| <b>18984C</b>  | Grey          | On request   | 3 m bars |

**Plate**  
60 x 5 mm



**Part 3311**  
pag 477

*Option of application - Plate*

**Part 1088**  
Pag 410

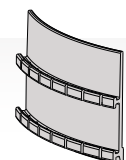


**Part 3311**  
pag 477

*Option of application - Guide*

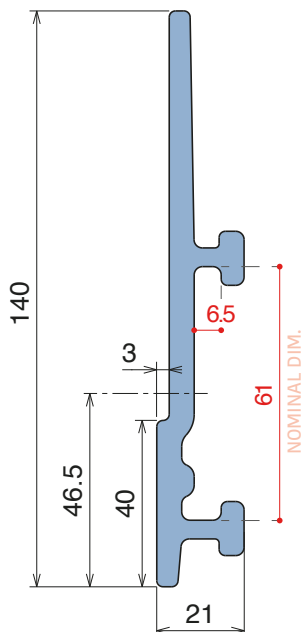
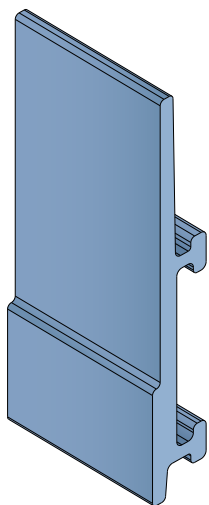
#### Easy Bendable

For the grooved version, just add "-S" to the related Article Nr.



## Guida laterale con salva etichetta

Side guide with label saver / Seitenführung mit Etikettenschutz



| Article-Nr. | Material | Availability | Supply   |
|-------------|----------|--------------|----------|
| 18940BC     | BluLub   | Stock item   | 3 m bars |
| 18945C      | Blue     | On request   | 3 m bars |
| 18944C      | Grey     | Stock item   | 3 m bars |

### Plate

60 x 5 mm

Valid also for  
**RS** versions

**Part 3311**  
pag 477

Option of application - Plate

### Part 1088

Pag 410

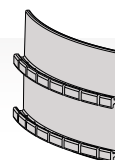
Valid also for  
**RS** versions

**Part 3311**  
pag 477

Option of application - Guide

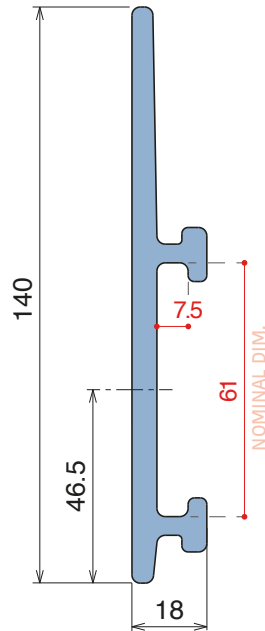
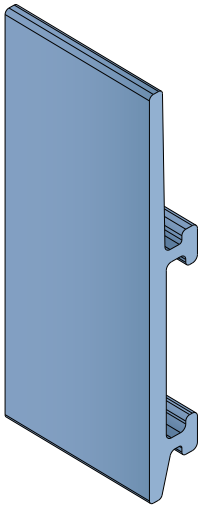
### Easy Bendable

For the grooved version, just add "-S" to the related Article Nr.



## 193 Guida laterale / Side guide / Seitenführung

Delivery: **Easy** **Standard** Fit on 60 x 6 mm



| Article-Nr. | Material | Availability | Supply   |
|-------------|----------|--------------|----------|
| 19320BC     | BluLub   | Stock item   | 3 m bars |
| 19325C      | Blue     | On request   | 3 m bars |
| 19324C      | Grey     | Stock item   | 3 m bars |

**Plate**  
60 x 6 mm



**Part 3311**  
pag 477

Option of application - Plate

**Part 1089**  
Pag 410

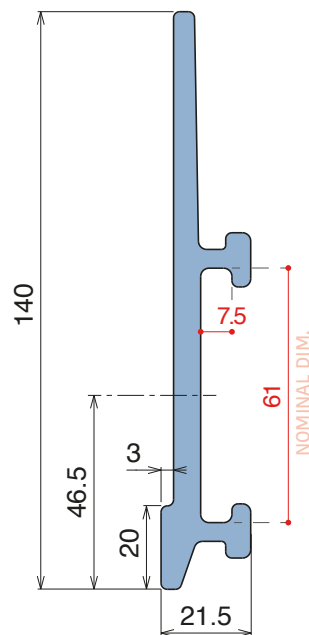
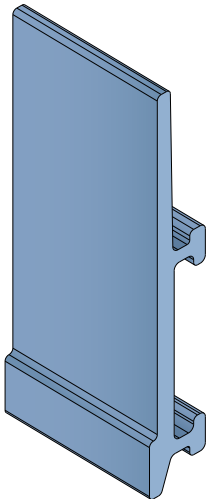


**Part 3311**  
pag 477

Option of application - Guide

## 189 Guida laterale con salva etichetta / Side guide with lable saver / Seitenführung mit Etikettenschutz

Delivery: **Easy** **Standard** Fit on 60 x 6 mm



| Article-Nr. | Material | Availability | Supply   |
|-------------|----------|--------------|----------|
| 18920BC     | BluLub   | Stock item   | 3 m bars |
| 18925C      | Blue     | On request   | 3 m bars |
| 18924C      | Grey     | Stock item   | 3 m bars |

**Plate**  
60 x 6 mm



Valid also for  
**RS** versions

**Part 3311**  
pag 477

Option of application - Plate

**Part 1089**  
Pag 410



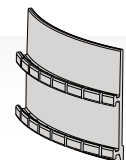
Valid also for  
**RS** versions

**Part 3311**  
pag 477

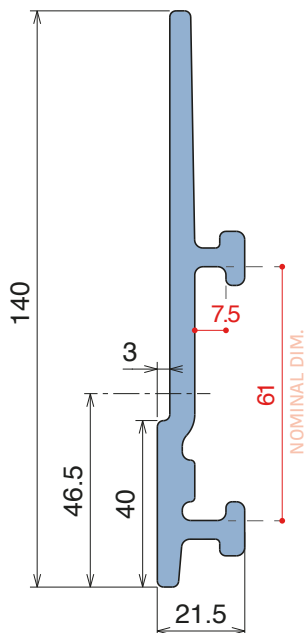
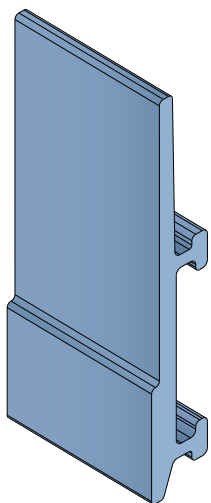
Option of application - Guide

**Easy Bendable**

For the grooved version,  
just add "-S" to the  
related Article Nr.



**Guida laterale con salva etichetta**  
*Side guide with lable saver / Seitenführung mit Etikettenschutz*



| Article-Nr. | Material | Availability | Supply   |
|-------------|----------|--------------|----------|
| 18930BC     | BluLub   | Stock item   | 3 m bars |
| 18935C      | Blue     | On request   | 3 m bars |
| 18934C      | Grey     | Stock item   | 3 m bars |

**Plate**  
60 x 6 mm

Valid also for  
**RS** versions

**Part 3311**  
pag 477

Option of application - Plate

**Part 1089**  
Pag 410

Valid also for  
**RS** versions

**Part 3311**  
pag 477

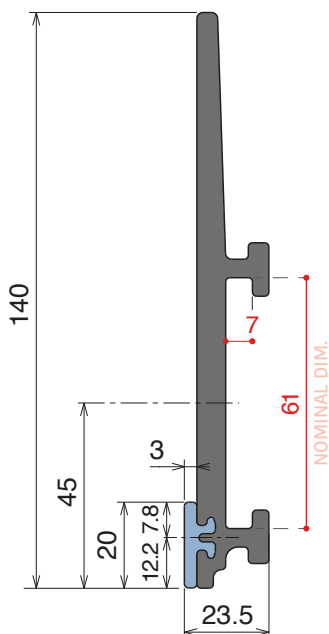
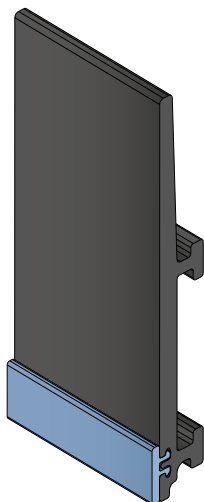
Option of application - Guide

**NEW 1075**

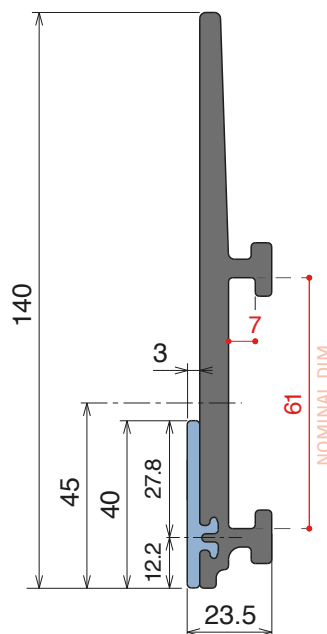
**RS** Guida laterale con salva etichetta / *Side guide with lable saver / Seitenführung mit Etikettenschutz*

Delivery: **Easy** **Standard** Fit on 60 x 6 mm

| Article-Nr. | Version | Material      | Availability | Supply   |
|-------------|---------|---------------|--------------|----------|
| 107500      | A       | Black+ BluLub | On request   | 3 m bars |
| 107501      | B       | Black+ BluLub | On request   | 3 m bars |



VERSION A - Label saver 2 cm



VERSION B - Label saver 4 cm

**Base profile**

| Art-Nr. | Supply   |
|---------|----------|
| 18990   | 3 m bars |

**Label saver 2 cm**

| Art-Nr. | Supply     |
|---------|------------|
| 18987   | 30 m coils |

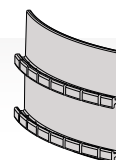
**Label saver 4 cm**

| Art-Nr. | Supply     |
|---------|------------|
| 18988   | 30 m coils |

Single components

**Easy Bendable**

For the grooved version, just add "-S" to the related Article Nr.

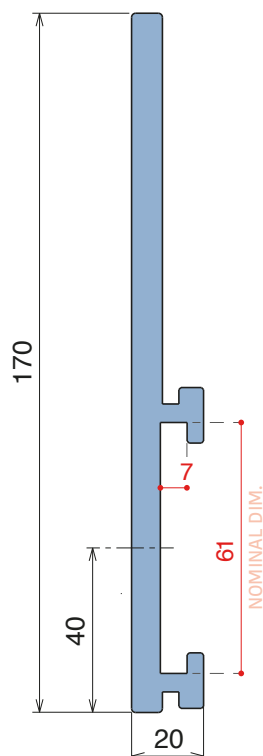
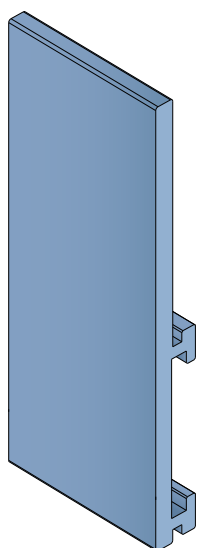




# 187

## Guida laterale / Side guide / Seitenführung

Delivery: **Easy** **Standard** Fit on 60 x 6 mm



| Article-Nr.    | Material      | Availability | Supply   |
|----------------|---------------|--------------|----------|
| <b>18710BC</b> | <b>BluLub</b> | Stock item   | 3 m bars |
| <b>18705C</b>  | Blue          | On request   | 3 m bars |
| <b>18714C</b>  | Grey          | On request   | 3 m bars |

**Plate**  
60 x 6 mm



**Part 3311**  
pag 477

Option of application - Plate

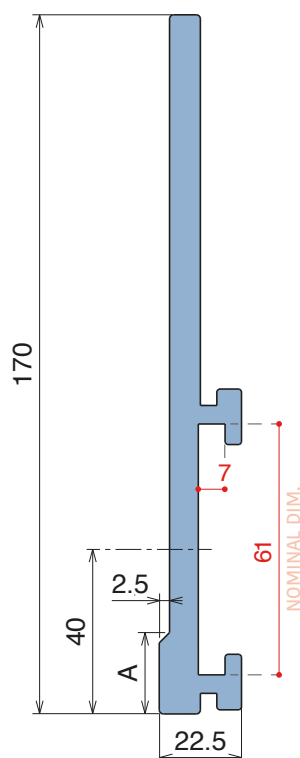
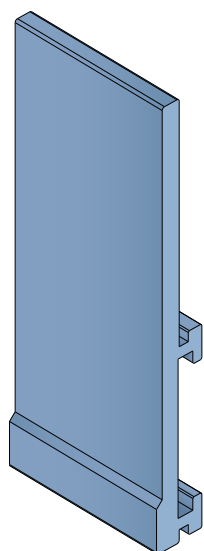
**Part 1089**  
Pag 410



**Part 3311**  
pag 477

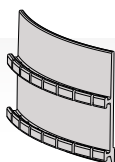
Option of application - Guide

### Guida laterale con salva etichetta Side guide with lable saver / Seitenführung mit Etikettenschutz



**Easy Bendable**

For the grooved version, just add "-S" to the related Article Nr.



| Article-Nr.    | A  | Material      | Availability | Supply   |
|----------------|----|---------------|--------------|----------|
| <b>18720BC</b> | 12 | <b>BluLub</b> | Stock item   | 3 m bars |
| <b>18730BC</b> | 20 | <b>BluLub</b> | Stock item   | 3 m bars |
| <b>18740BC</b> | 40 | <b>BluLub</b> | Stock item   | 3 m bars |
| <b>18725C</b>  | 12 | Blue          | On request   | 3 m bars |
| <b>18735C</b>  | 20 | Blue          | On request   | 3 m bars |
| <b>18745C</b>  | 40 | Blue          | On request   | 3 m bars |
| <b>18724C</b>  | 12 | Grey          | On request   | 3 m bars |
| <b>18734C</b>  | 20 | Grey          | On request   | 3 m bars |
| <b>18744C</b>  | 40 | Grey          | On request   | 3 m bars |

**Plate**  
60 x 6 mm



**Part 3311**  
pag 477

Option of application - Plate

**Part 1089**  
Pag 410

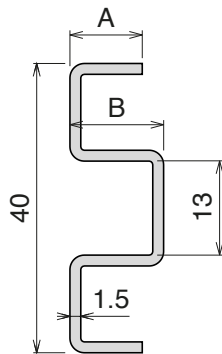
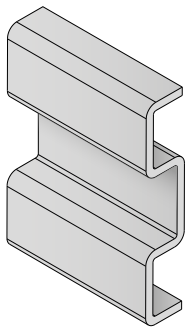


**Part 3311**  
pag 477

Option of application - Guide

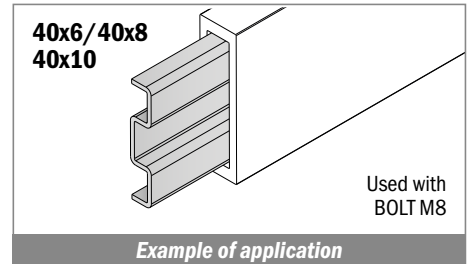
## 117 Profilo Omega / M-Profile / M-Profil

Delivery: **Easy** Standard



Used with part:  
 137 - 183 - 189 - 1079

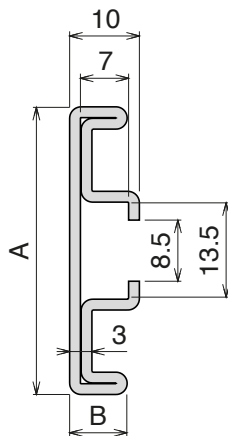
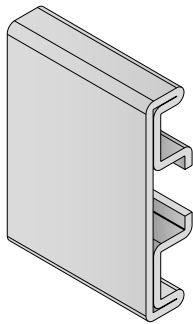
| Article-Nr.   | A  | B  | Availability | Supply   |
|---------------|----|----|--------------|----------|
| <b>11703C</b> | 6  | 10 | Stock item   | 3 m bars |
| <b>11703</b>  | 6  | 10 | On request   | 6 m bars |
| <b>11701C</b> | 8  | 8  | Stock item   | 3 m bars |
| <b>11701</b>  | 8  | 8  | Stock item   | 6 m bars |
| <b>11702C</b> | 10 | 10 | Stock item   | 3 m bars |
| <b>11702</b>  | 10 | 10 | On request   | 6 m bars |



## 1055 Profilo in Acciaio inox / Stainless steel Profile / Edelstahlprofil

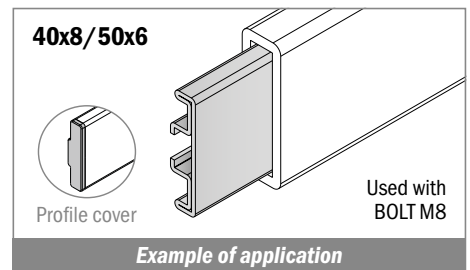
Delivery: **Easy** Standard

**NEW**



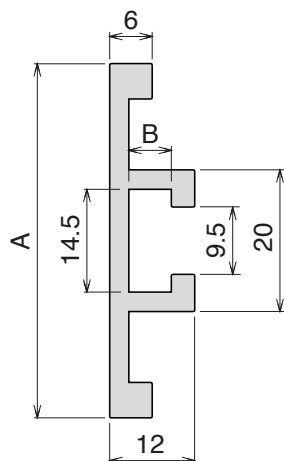
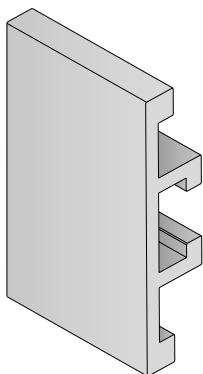
Used with part:  
 137 - 183 - 189 - 1079

| Article-Nr.    | A  | B | Availability | Supply   | Profile cover |
|----------------|----|---|--------------|----------|---------------|
| <b>105501C</b> | 40 | 8 | Stock item   | 3 m bars | <b>301409</b> |
| <b>105501</b>  | 40 | 8 | On request   | 6 m bars | <b>301409</b> |
| <b>105503C</b> | 50 | 6 | Stock item   | 3 m bars | <b>301410</b> |
| <b>105503</b>  | 50 | 6 | On request   | 6 m bars | <b>301410</b> |



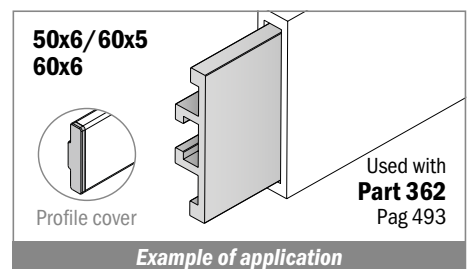
## 159-1088-1089 Profilo in Alluminio / Aluminum Profile / Aluminium Profil

**NEW**



Used with Part:  
 158 - 187 - 189 - 193  
 1057 - 1075 - 1077 - 1078

| Article-Nr.    | A  | B | Availability | Supply   | Profile cover |
|----------------|----|---|--------------|----------|---------------|
| <b>15901C</b>  | 50 | 6 | Stock item   | 3 m bars | <b>301411</b> |
| <b>15901</b>   | 50 | 6 | On request   | 6 m bars | <b>301411</b> |
| <b>108801C</b> | 60 | 5 | Stock item   | 3 m bars | <b>301412</b> |
| <b>108801</b>  | 60 | 5 | On request   | 6 m bars | <b>301412</b> |
| <b>108901C</b> | 60 | 6 | Stock item   | 3 m bars | <b>301413</b> |
| <b>108901</b>  | 60 | 6 | On request   | 6 m bars | <b>301413</b> |

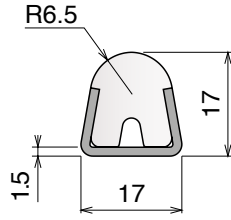
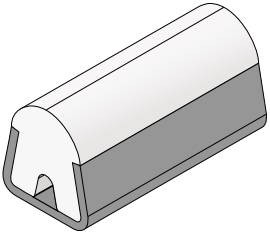


**Materiale / Material / Materialien:**  
 Profilo metallico: Acciaio inox AISI 304  
 Metal profile: Stainless steel AISI 304  
 Metallprofil: Edelstahl AISI 304

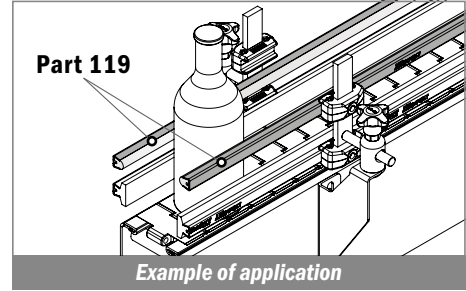
**119** Guida conica / Guide rail / Konische Führung

Delivery: **Easy** **Standard**

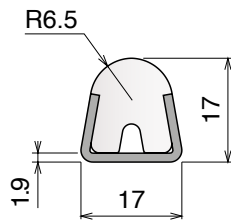
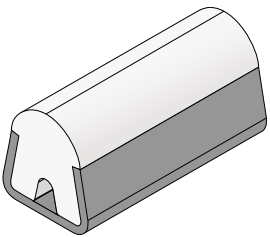
Stainless steel profile thickness: 1,5 mm



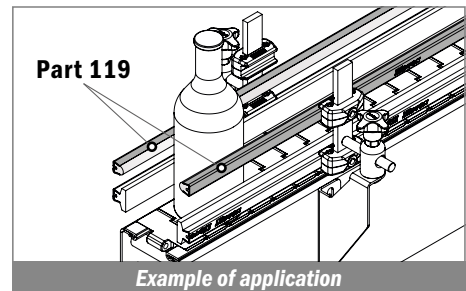
| Article-Nr. | Material | Availability | Supply   |
|-------------|----------|--------------|----------|
| 11901BC     | BluLub   | Stock item   | 3 m bars |
| 11901B      | BluLub   | On request   | 6 m bars |
| 11901C      | Ti-White | Stock item   | 3 m bars |
| 11901       | Ti-White | On request   | 6 m bars |
| 11905C      | Blue     | On request   | 3 m bars |
| 11905       | Blue     | On request   | 6 m bars |



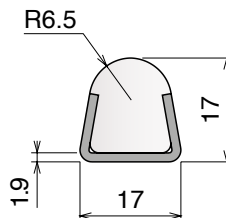
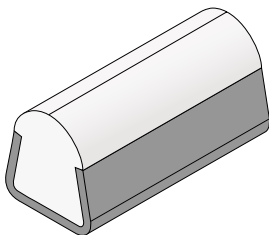
Stainless steel profile thickness: 1,9 mm



| Article-Nr. | Material | Availability | Supply   |
|-------------|----------|--------------|----------|
| 11963B      | BluLub   | On request   | 3 m bars |
| 11967B      | BluLub   | On request   | 6 m bars |
| 11963       | Ti-White | Stock item   | 3 m bars |
| 11967       | Ti-White | On request   | 6 m bars |
| 11964C      | Blue     | On request   | 3 m bars |
| 11964       | Blue     | On request   | 6 m bars |



  
 Hygienic  
 Version  
**NEW**

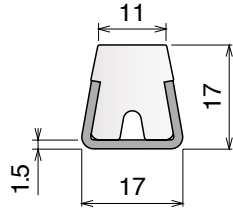
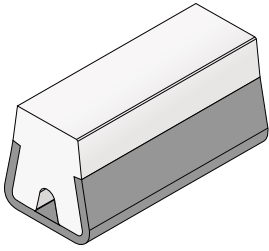


| Article-Nr. | Material | Availability | Supply   |
|-------------|----------|--------------|----------|
| 11953B      | BluLub   | On request   | 3 m bars |
| 11957B      | BluLub   | On request   | 6 m bars |
| 11953       | Ti-White | On request   | 3 m bars |
| 11957       | Ti-White | Stock item   | 6 m bars |
| 11983C      | Blue     | On request   | 3 m bars |
| 11987       | Blue     | On request   | 6 m bars |

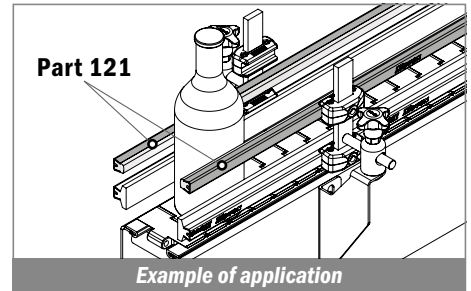
## 121 Guida conica / Guide rail / Konische Führung

Delivery: **Easy** **Standard**

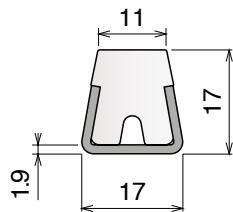
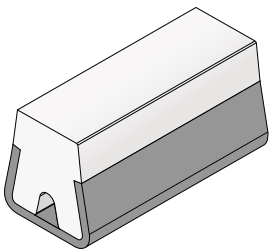
Stainless steel profile thickness: 1,5 mm



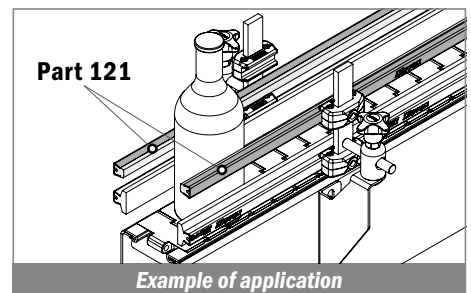
| Article-Nr.    | Material        | Availability | Supply   |
|----------------|-----------------|--------------|----------|
| <b>12101BC</b> | <b>BluLub</b>   | On request   | 3 m bars |
| <b>12101B</b>  | <b>BluLub</b>   | On request   | 6 m bars |
| <b>12101C</b>  | <b>Ti-White</b> | Stock item   | 3 m bars |
| <b>12101</b>   | <b>Ti-White</b> | On request   | 6 m bars |
| <b>12105C</b>  | Blue            | On request   | 3 m bars |
| <b>12105</b>   | Blue            | On request   | 6 m bars |



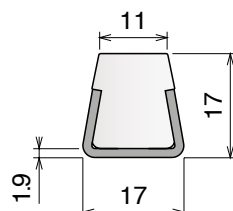
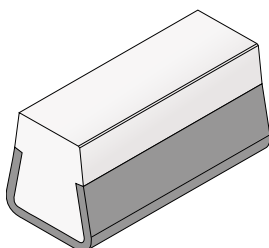
Stainless steel profile thickness: 1,9 mm



| Article-Nr.   | Material        | Availability | Supply   |
|---------------|-----------------|--------------|----------|
| <b>12163B</b> | <b>BluLub</b>   | On request   | 3 m bars |
| <b>12167B</b> | <b>BluLub</b>   | On request   | 6 m bars |
| <b>12163</b>  | <b>Ti-White</b> | Stock item   | 3 m bars |
| <b>12167</b>  | <b>Ti-White</b> | On request   | 6 m bars |
| <b>12173</b>  | Blue            | On request   | 3 m bars |
| <b>12177</b>  | Blue            | On request   | 6 m bars |



Hygienic Version  
**NEW**



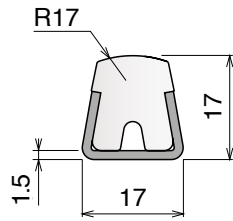
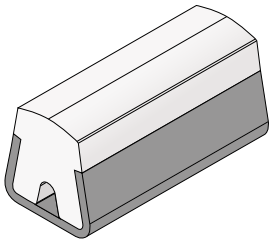
| Article-Nr.   | Material        | Availability | Supply   |
|---------------|-----------------|--------------|----------|
| <b>12153B</b> | <b>BluLub</b>   | On request   | 3 m bars |
| <b>12157B</b> | <b>BluLub</b>   | On request   | 6 m bars |
| <b>12153</b>  | <b>Ti-White</b> | Stock item   | 3 m bars |
| <b>12157</b>  | <b>Ti-White</b> | On request   | 6 m bars |
| <b>12183</b>  | Blue            | On request   | 3 m bars |
| <b>12187</b>  | Blue            | On request   | 6 m bars |

**Materiale / Material / Materialien:**  
 Profilo metallico: Acciaio inox AISI 304  
 Metal profile: Stainless steel AISI 304  
 Metallprofil: Edelstahl AISI 304

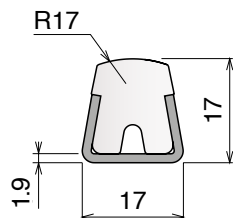
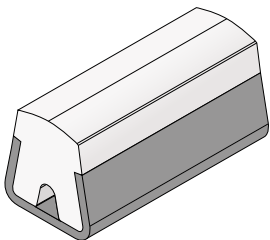
## 120 Guida conica / Guide rail / Konische Führung

Delivery: **Easy** **Standard**

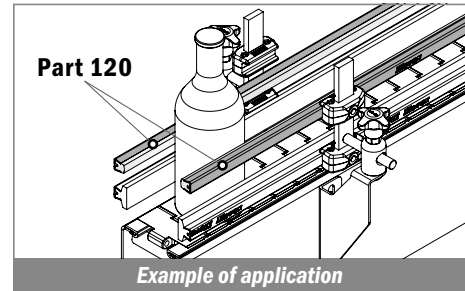
Stainless steel profile thickness: 1,5 mm



Stainless steel profile thickness: 1,9 mm



| Article-Nr. | Material        | Availability | Supply   |
|-------------|-----------------|--------------|----------|
| 12001BC     | <b>BluLub</b>   | On request   | 3 m bars |
| 12001B      | <b>BluLub</b>   | On request   | 6 m bars |
| 12001C      | <b>Ti-White</b> | Stock item   | 3 m bars |
| 12001       | <b>Ti-White</b> | On request   | 6 m bars |
| 12005C      | Blue            | On request   | 3 m bars |
| 12005       | Blue            | On request   | 6 m bars |

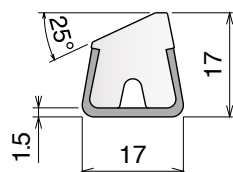
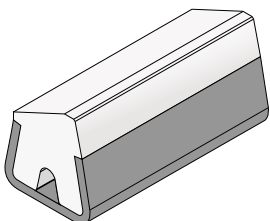


| Article-Nr. | Material        | Availability | Supply   |
|-------------|-----------------|--------------|----------|
| 12063B      | <b>BluLub</b>   | On request   | 3 m bars |
| 12067B      | <b>BluLub</b>   | On request   | 6 m bars |
| 12063       | <b>Ti-White</b> | Stock item   | 3 m bars |
| 12067       | <b>Ti-White</b> | On request   | 6 m bars |
| 12063BL     | Blue            | On request   | 3 m bars |
| 12067BL     | Blue            | On request   | 6 m bars |

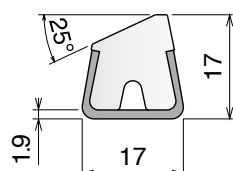
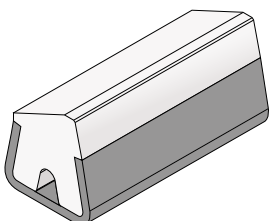
## 152 Guida conica / Guide rail / Konische Führung

Delivery: **Easy** **Standard**

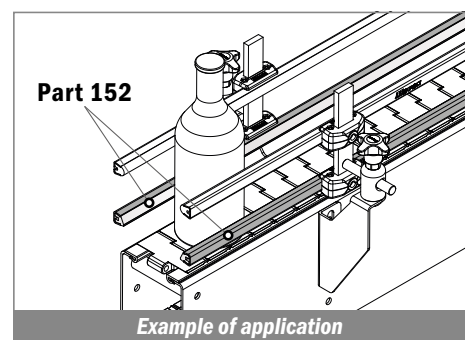
Stainless steel profile thickness: 1,5 mm



Stainless steel profile thickness: 1,9 mm



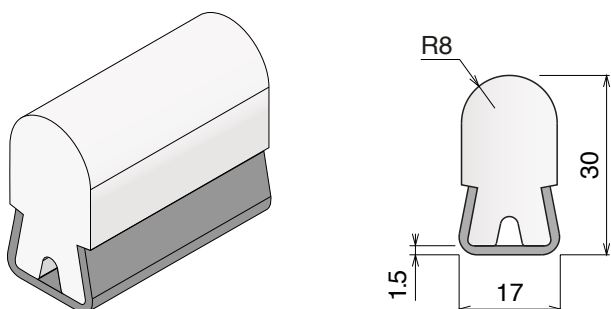
| Article-Nr. | Material        | Availability | Supply   |
|-------------|-----------------|--------------|----------|
| 15200BC     | <b>BluLub</b>   | On request   | 3 m bars |
| 15201C      | <b>Ti-White</b> | Stock item   | 3 m bars |
| 15205C      | Blue            | On request   | 3 m bars |



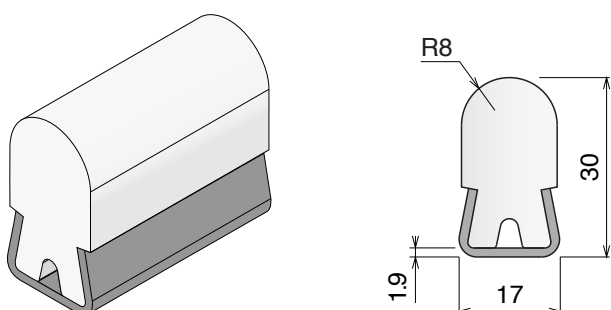
| Article-Nr. | Material        | Availability | Supply   |
|-------------|-----------------|--------------|----------|
| 15260BC     | <b>BluLub</b>   | On request   | 3 m bars |
| 15263       | <b>Ti-White</b> | On request   | 3 m bars |
| 15265C      | Blue            | On request   | 3 m bars |

## 1067 Guida conica / Guide rail / Konische Führung

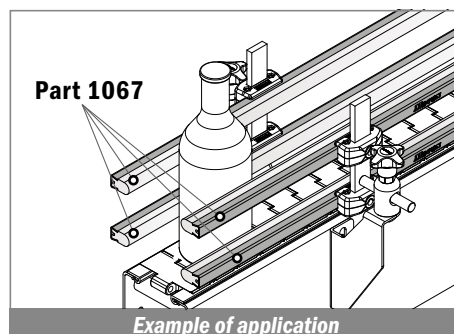
Stainless steel profile thickness: 1,5 mm



Stainless steel profile thickness: 1,9 mm



| Article-Nr. | Material | Availability | Supply   |
|-------------|----------|--------------|----------|
| 106700BC    | BluLub   | On request   | 3 m bars |
| 106701C     | Ti-White | On request   | 3 m bars |
| 106705C     | Blue     | On request   | 3 m bars |

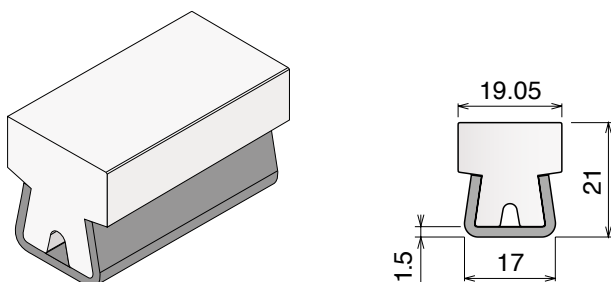


| Article-Nr. | Material | Availability | Supply   |
|-------------|----------|--------------|----------|
| 106760BC    | BluLub   | On request   | 3 m bars |
| 106763      | Ti-White | On request   | 3 m bars |
| 106765C     | Blue     | On request   | 3 m bars |

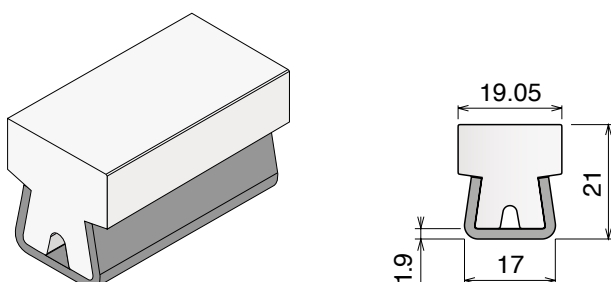
## 143 Guida conica / Guide rail / Konische Führung

Delivery: **Easy** Standard

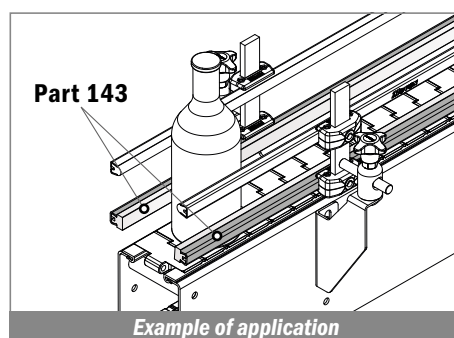
Stainless steel profile thickness: 1,5 mm



Stainless steel profile thickness: 1,9 mm



| Article-Nr. | Material | Availability | Supply   |
|-------------|----------|--------------|----------|
| 14300BC     | BluLub   | On request   | 3 m bars |
| 14301C      | Ti-White | On request   | 3 m bars |
| 14305C      | Blue     | On request   | 3 m bars |



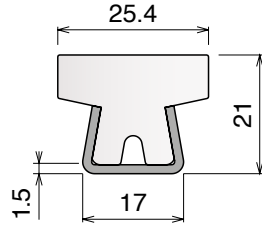
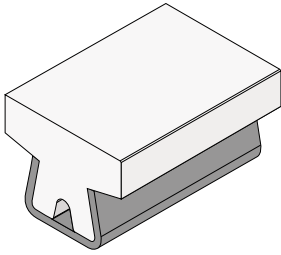
| Article-Nr. | Material | Availability | Supply   |
|-------------|----------|--------------|----------|
| 14360BC     | BluLub   | On request   | 3 m bars |
| 14363       | Ti-White | Stock item   | 3 m bars |
| 14365C      | Blue     | On request   | 3 m bars |

**Materiale / Material / Materialien:**  
 Profilo metallico: Acciaio inox AISI 304  
 Metal profile: Stainless steel AISI 304  
 Metallprofil: Edelstahl AISI 304

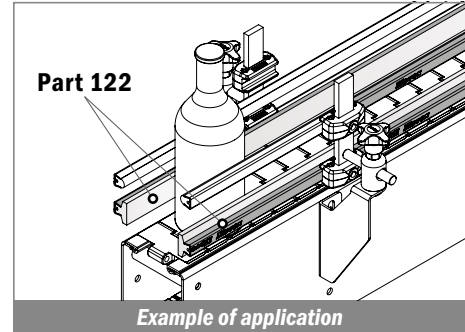
## 122 Guida conica / Guide rail / Konische Führung

Delivery: **Easy** **Standard**

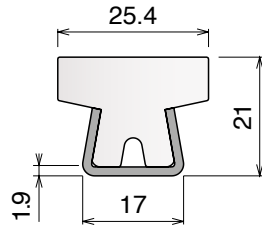
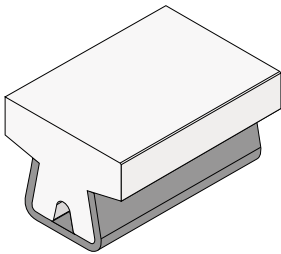
Stainless steel profile thickness: 1,5 mm



| Article-Nr. | Material | Availability | Supply   |
|-------------|----------|--------------|----------|
| 12200BC     | BluLub   | On request   | 3 m bars |
| 12201C      | Ti-White | Stock item   | 3 m bars |
| 12205C      | Blue     | On request   | 3 m bars |



Stainless steel profile thickness: 1,9 mm

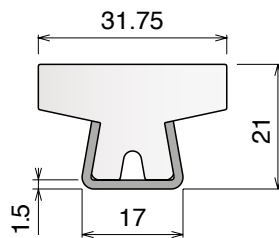
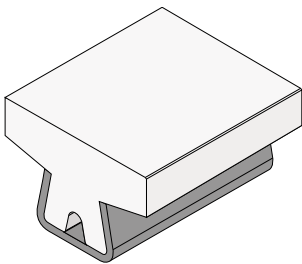


| Article-Nr. | Material | Availability | Supply   |
|-------------|----------|--------------|----------|
| 12260BC     | BluLub   | On request   | 3 m bars |
| 12263       | Ti-White | Stock item   | 3 m bars |
| 12263BLC    | Blue     | On request   | 3 m bars |

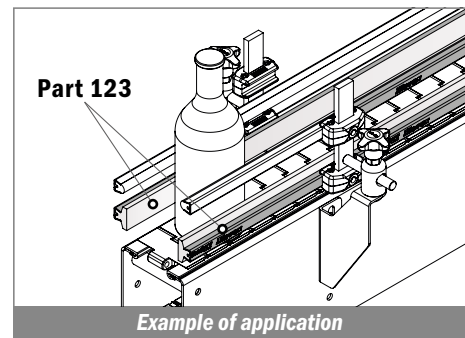
## 123 Guida conica / Guide rail / Konische Führung

Delivery: **Easy** **Standard**

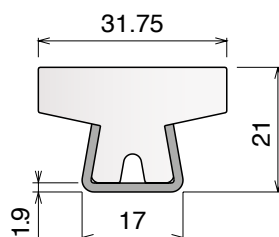
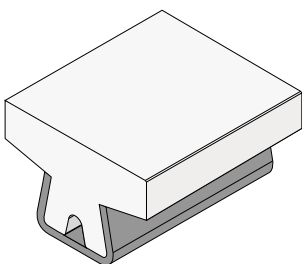
Stainless steel profile thickness: 1,5 mm



| Article-Nr. | Material | Availability | Supply   |
|-------------|----------|--------------|----------|
| 12300BC     | BluLub   | On request   | 3 m bars |
| 12301C      | Ti-White | Stock item   | 3 m bars |
| 12305C      | Blue     | On request   | 3 m bars |



Stainless steel profile thickness: 1,9 mm

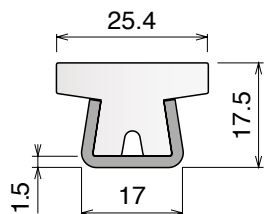
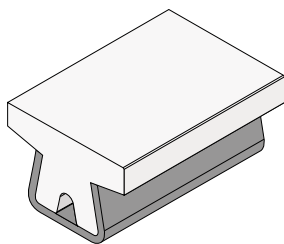


| Article-Nr. | Material | Availability | Supply   |
|-------------|----------|--------------|----------|
| 12360BC     | BluLub   | On request   | 3 m bars |
| 12363       | Ti-White | Stock item   | 3 m bars |
| 12363BLC    | Blue     | On request   | 3 m bars |

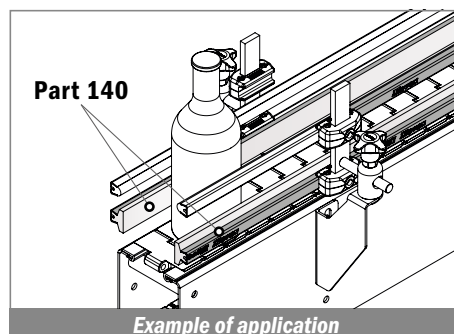
## 140 Guida conica / Guide rail / Konische Führung

Delivery: **Easy** Standard

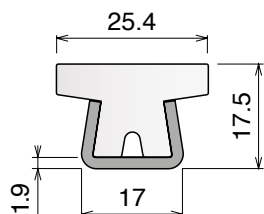
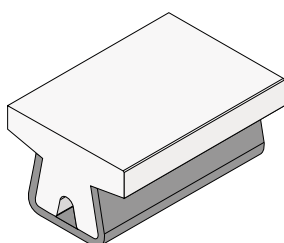
Stainless steel profile thickness: 1,5 mm



| Article-Nr. | Material        | Availability | Supply   |
|-------------|-----------------|--------------|----------|
| 14000BC     | <b>BluLub</b>   | On request   | 3 m bars |
| 14001C      | <b>Ti-White</b> | Stock item   | 3 m bars |
| 14005C      | Blue            | On request   | 3 m bars |



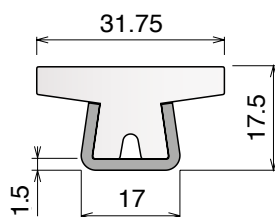
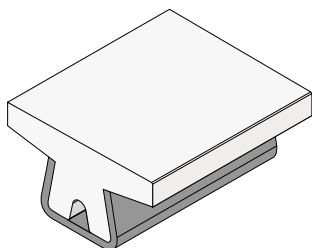
Stainless steel profile thickness: 1,9 mm



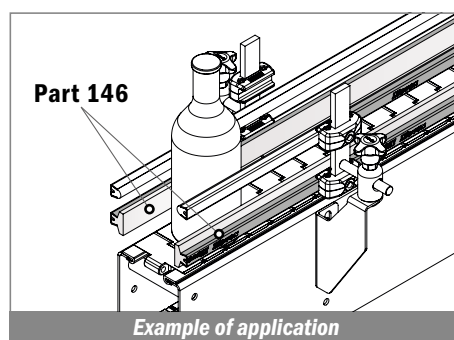
| Article-Nr. | Material        | Availability | Supply   |
|-------------|-----------------|--------------|----------|
| 14060BC     | <b>BluLub</b>   | On request   | 3 m bars |
| 14063       | <b>Ti-White</b> | Stock item   | 3 m bars |
| 14063BLC    | Blue            | On request   | 3 m bars |

## 146 Guida conica / Guide rail / Konische Führung

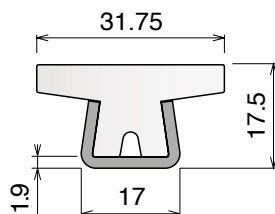
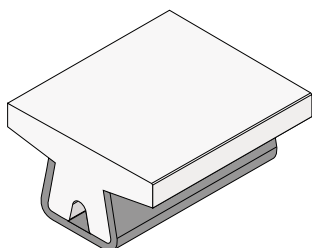
Stainless steel profile thickness: 1,5 mm



| Article-Nr. | Material        | Availability | Supply   |
|-------------|-----------------|--------------|----------|
| 14600BC     | <b>BluLub</b>   | On request   | 3 m bars |
| 14601C      | <b>Ti-White</b> | On request   | 3 m bars |
| 14605C      | Blue            | On request   | 3 m bars |



Stainless steel profile thickness: 1,9 mm



| Article-Nr. | Material        | Availability | Supply   |
|-------------|-----------------|--------------|----------|
| 14660BC     | <b>BluLub</b>   | On request   | 3 m bars |
| 14663       | <b>Ti-White</b> | On request   | 3 m bars |
| 14663BLC    | Blue            | On request   | 3 m bars |

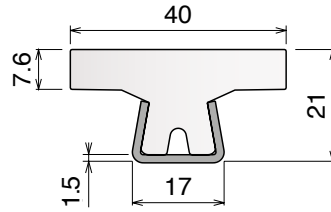
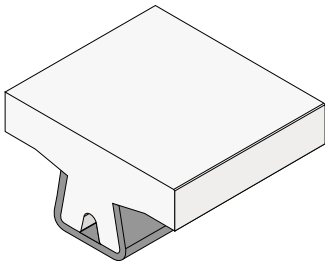


**Materiale / Material / Materialien:**  
 Profilo metallico: Acciaio inox AISI 304  
 Metal profile: Stainless steel AISI 304  
 Metallprofil: Edelstahl AISI 304

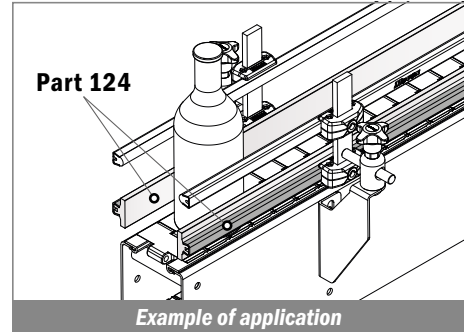
## 124 Guida conica / Guide rail / Konische Führung

Delivery: **Easy** **Standard**

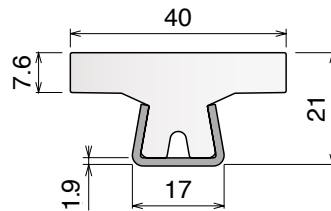
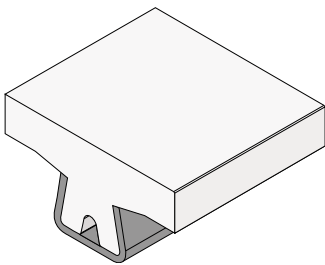
Stainless steel profile thickness: 1,5 mm



| Article-Nr. | Material        | Availability | Supply   |
|-------------|-----------------|--------------|----------|
| 12400BC     | <b>BluLub</b>   | On request   | 3 m bars |
| 12401C      | <b>Ti-White</b> | Stock item   | 3 m bars |
| 12405C      | Blue            | On request   | 3 m bars |



Stainless steel profile thickness: 1,9 mm

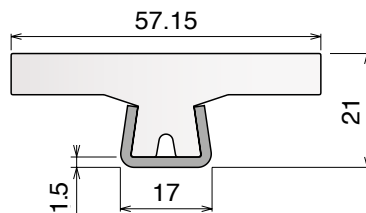
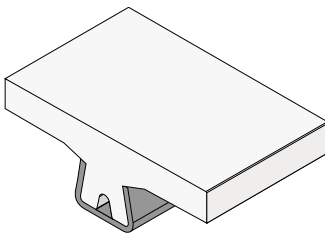


| Article-Nr. | Material        | Availability | Supply   |
|-------------|-----------------|--------------|----------|
| 12460BC     | <b>BluLub</b>   | On request   | 3 m bars |
| 12463       | <b>Ti-White</b> | Stock item   | 3 m bars |
| 12463BLC    | Blue            | On request   | 3 m bars |

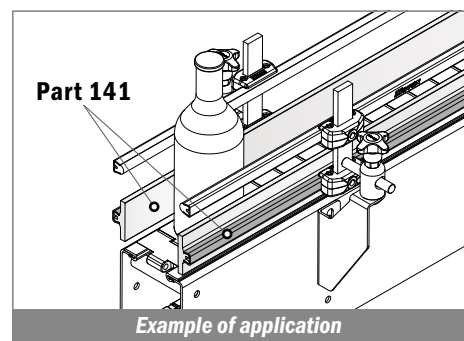
## 141 Guida conica / Guide rail / Konische Führung

Delivery: **Easy** **Standard**

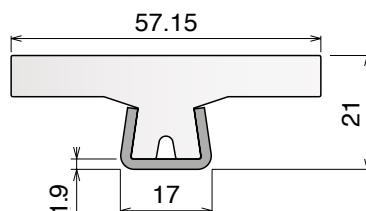
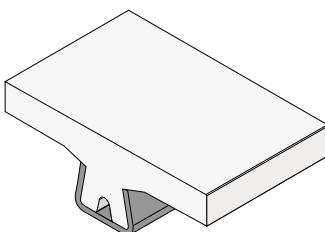
Stainless steel profile thickness: 1,5 mm



| Article-Nr. | Material        | Availability | Supply   |
|-------------|-----------------|--------------|----------|
| 14100BC     | <b>BluLub</b>   | On request   | 3 m bars |
| 14101C      | <b>Ti-White</b> | Stock item   | 3 m bars |
| 14105C      | Blue            | On request   | 3 m bars |



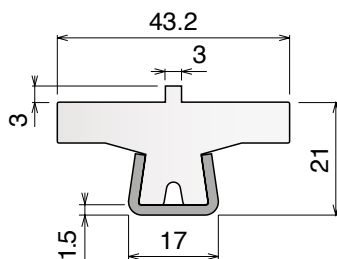
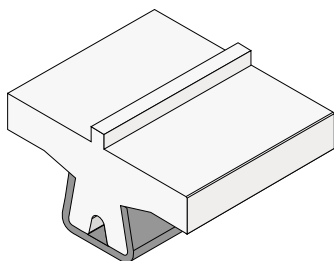
Stainless steel profile thickness: 1,9 mm



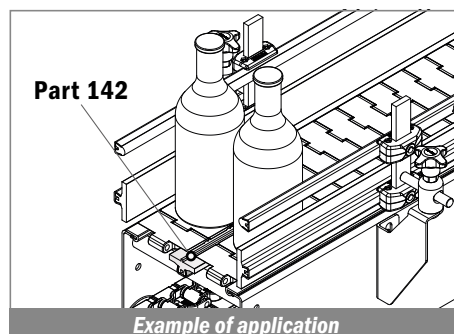
| Article-Nr. | Material        | Availability | Supply   |
|-------------|-----------------|--------------|----------|
| 14160BC     | <b>BluLub</b>   | On request   | 3 m bars |
| 14163       | <b>Ti-White</b> | Stock item   | 3 m bars |
| 14163BLC    | Blue            | On request   | 3 m bars |

## 142 Guida conica / Guide rail / Konische Führung

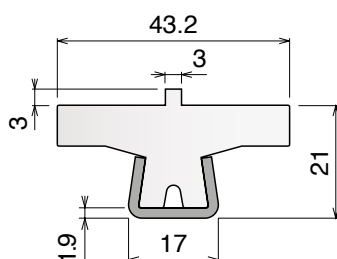
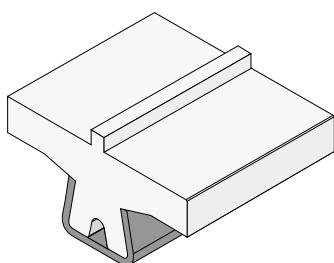
Stainless steel profile thickness: 1,5 mm



| Article-Nr. | Material | Availability | Supply   |
|-------------|----------|--------------|----------|
| 14200BC     | BluLub   | On request   | 3 m bars |
| 14201C      | Ti-White | On request   | 3 m bars |
| 14205C      | Blue     | On request   | 3 m bars |



Stainless steel profile thickness: 1,9 mm

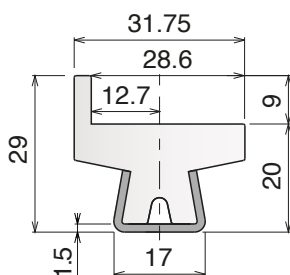
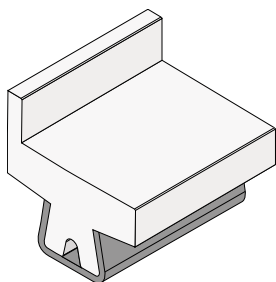


| Article-Nr. | Material | Availability | Supply   |
|-------------|----------|--------------|----------|
| 14260BC     | BluLub   | On request   | 3 m bars |
| 14263       | Ti-White | On request   | 3 m bars |
| 14263BLC    | Blue     | On request   | 3 m bars |

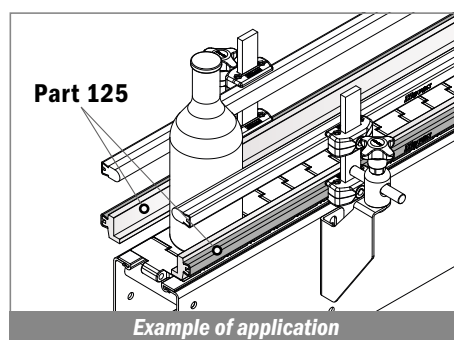
## 125 Guida conica / Guide rail / Konische Führung

Delivery: **Easy** Standard

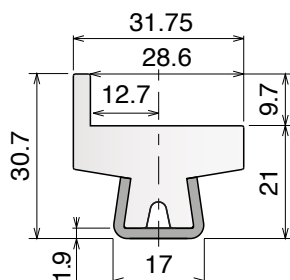
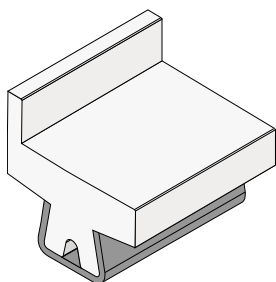
Stainless steel profile thickness: 1,5 mm



| Article-Nr. | Material | Availability | Supply   |
|-------------|----------|--------------|----------|
| 12500BC     | BluLub   | On request   | 3 m bars |
| 12501C      | Ti-White | On request   | 3 m bars |
| 12505C      | Blue     | On request   | 3 m bars |



Stainless steel profile thickness: 1,9 mm

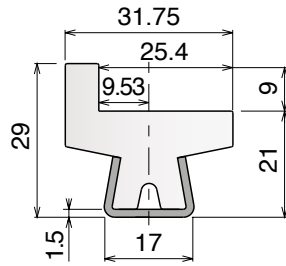
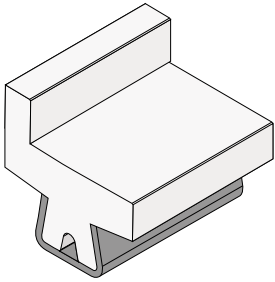


| Article-Nr. | Material | Availability | Supply   |
|-------------|----------|--------------|----------|
| 12560BC     | BluLub   | On request   | 3 m bars |
| 12563       | Ti-White | Stock item   | 3 m bars |
| 12563BLC    | Blue     | On request   | 3 m bars |

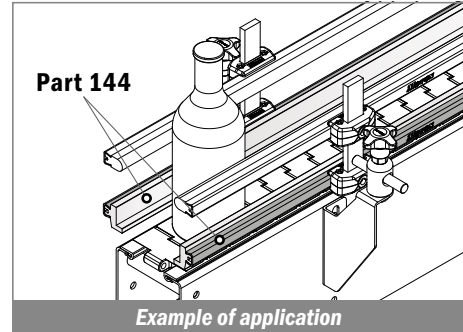
## 144 Guida conica / Guide rail / Konische Führung

Delivery: **Easy** **Standard**

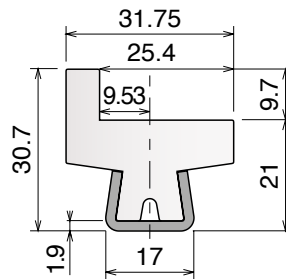
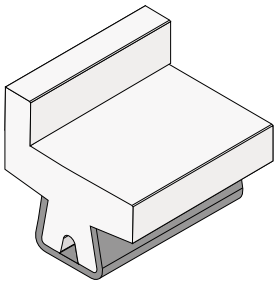
Stainless steel profile thickness: 1,5 mm



| Article-Nr. | Material        | Availability | Supply   |
|-------------|-----------------|--------------|----------|
| 14400BC     | <i>BluLub</i>   | On request   | 3 m bars |
| 14401C      | <i>Ti-White</i> | Stock item   | 3 m bars |
| 14405C      | Blue            | On request   | 3 m bars |



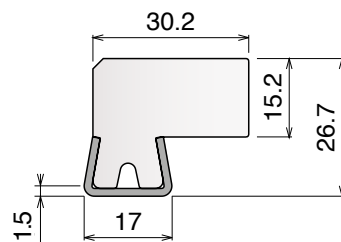
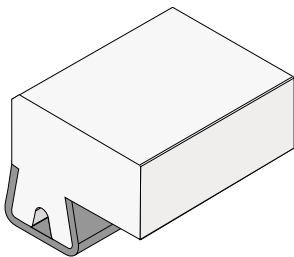
Stainless steel profile thickness: 1,9 mm



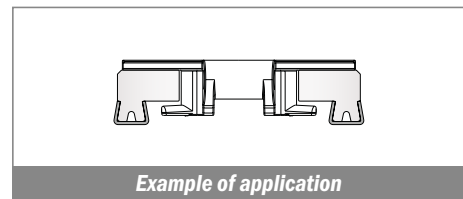
| Article-Nr. | Material        | Availability | Supply   |
|-------------|-----------------|--------------|----------|
| 14460BC     | <i>BluLub</i>   | On request   | 3 m bars |
| 14463       | <i>Ti-White</i> | Stock item   | 3 m bars |
| 14463BLC    | Blue            | On request   | 3 m bars |

## 184 Guida conica / Guide rail / Konische Führung

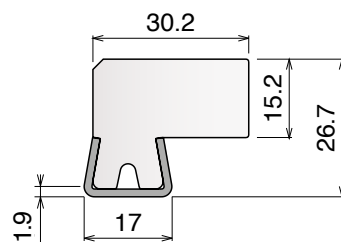
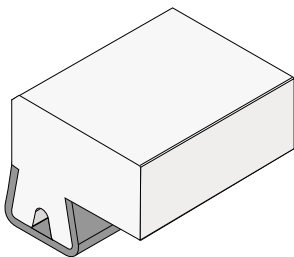
Stainless steel profile thickness: 1,5 mm



| Article-Nr. | Material        | Availability | Supply   |
|-------------|-----------------|--------------|----------|
| 18400BC     | <i>BluLub</i>   | On request   | 3 m bars |
| 18401C      | <i>Ti-White</i> | On request   | 3 m bars |
| 18405C      | Blue            | On request   | 3 m bars |



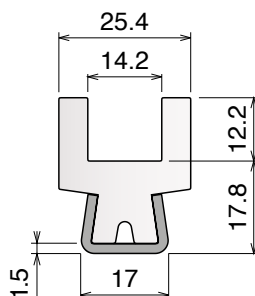
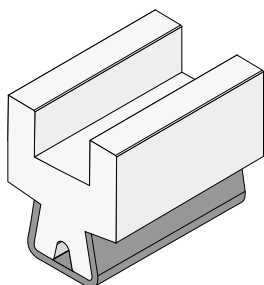
Stainless steel profile thickness: 1,9 mm



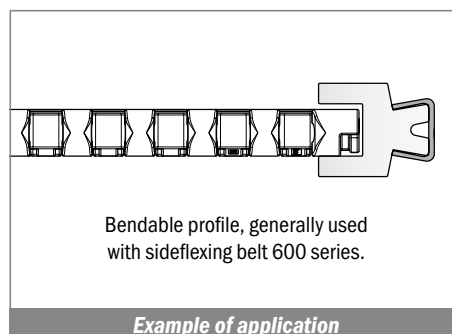
| Article-Nr. | Material        | Availability | Supply   |
|-------------|-----------------|--------------|----------|
| 18460BC     | <i>BluLub</i>   | On request   | 3 m bars |
| 18463       | <i>Ti-White</i> | On request   | 3 m bars |
| 18463BLC    | Blue            | On request   | 3 m bars |

## 145 Guida conica / Guide rail / Konische Führung

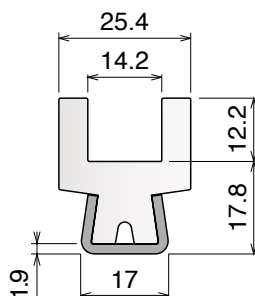
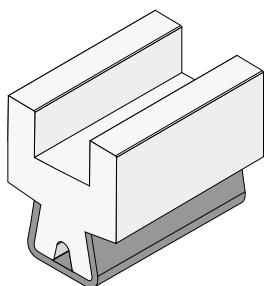
Stainless steel profile thickness: 1,5 mm



| Article-Nr. | Material        | Availability | Supply   |
|-------------|-----------------|--------------|----------|
| 14503C      | <b>BluLub</b>   | On request   | 3 m bars |
| 14504C      | <b>Ti-White</b> | On request   | 3 m bars |
| 14505C      | Blue            | On request   | 3 m bars |



Stainless steel profile thickness: 1,9 mm

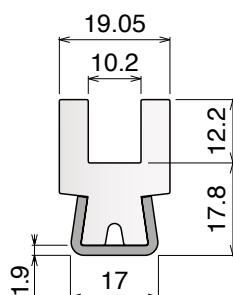
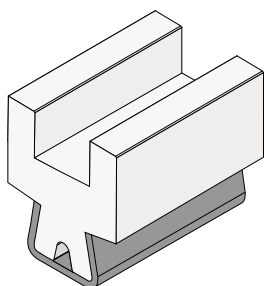


| Article-Nr. | Material        | Availability | Supply   |
|-------------|-----------------|--------------|----------|
| 14563       | <b>BluLub</b>   | On request   | 3 m bars |
| 14564       | <b>Ti-White</b> | On request   | 3 m bars |
| 14565       | Blue            | On request   | 3 m bars |

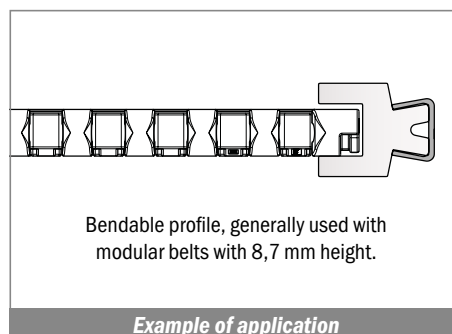


## NEW 1087 Guida conica / Guide rail / Konische Führung

Stainless steel profile thickness: 1,9 mm



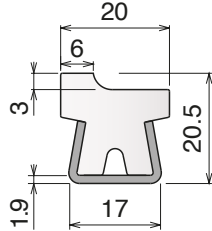
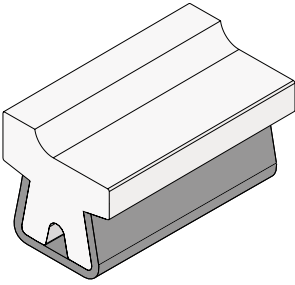
| Article-Nr. | Material        | Availability | Supply   |
|-------------|-----------------|--------------|----------|
| 108763      | <b>BluLub</b>   | On request   | 3 m bars |
| 108764      | <b>Ti-White</b> | On request   | 3 m bars |
| 108765      | Blue            | On request   | 3 m bars |



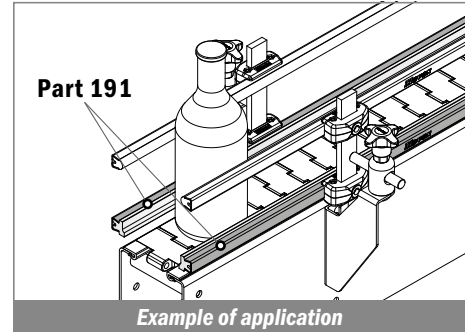
**Materiale / Material / Materialien:**  
 Profilo metallico: Acciaio inox AISI 304  
 Metal profile: Stainless steel AISI 304  
 Metallprofil: Edelstahl AISI 304

## 191 Guida conica / Guide rail / Konische Führung

Stainless steel profile thickness: 1,9 mm

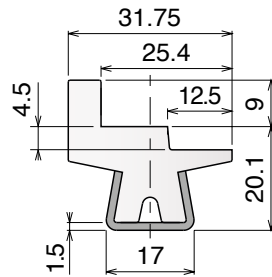
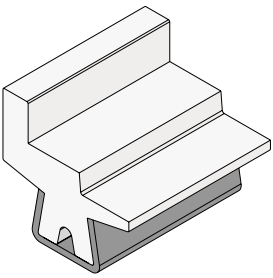


| Article-Nr. | Material | Availability | Supply   |
|-------------|----------|--------------|----------|
| 19100BC     | BluLub   | On request   | 3 m bars |
| 19101C      | Ti-White | Stock item   | 3 m bars |
| 19105C      | Blue     | On request   | 3 m bars |

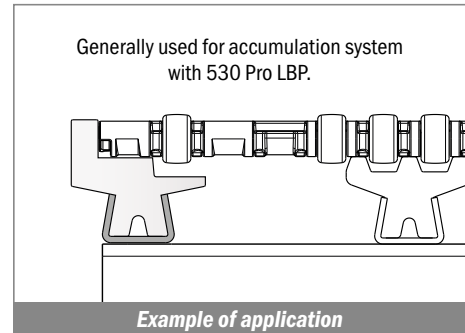


## NEW 126 Guida conica / Guide rail / Konische Führung

Stainless steel profile thickness: 1,5 mm

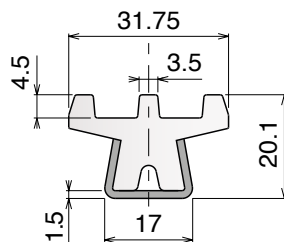
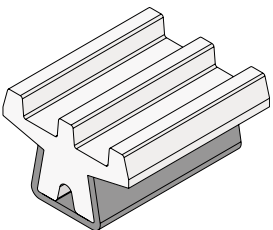


| Article-Nr. | Material | Availability | Supply   |
|-------------|----------|--------------|----------|
| 12600BC     | BluLub   | On request   | 3 m bars |
| 12601C      | Ti-White | On request   | 3 m bars |
| 12605C      | Blue     | On request   | 3 m bars |

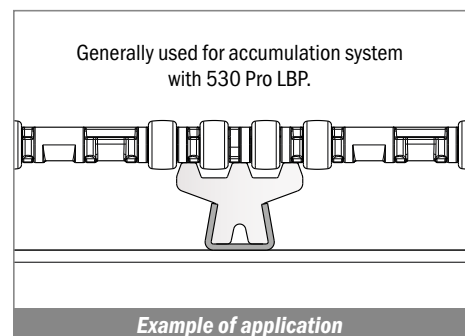


## NEW 127 Guida conica / Guide rail / Konische Führung

Stainless steel profile thickness: 1,5 mm

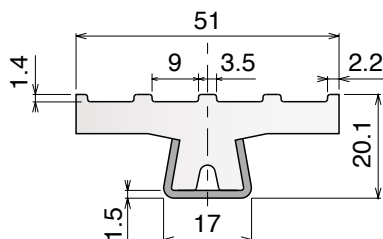
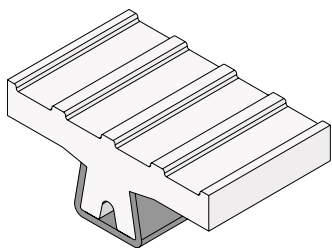


| Article-Nr. | Material | Availability | Supply   |
|-------------|----------|--------------|----------|
| 12700BC     | BluLub   | On request   | 3 m bars |
| 12701C      | Ti-White | On request   | 3 m bars |
| 12705C      | Blue     | On request   | 3 m bars |



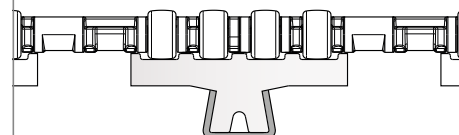
## NEW 128 Guida conica / Guide rail / Konische Führung

Stainless steel profile thickness: 1,5 mm



| Article-Nr.    | Material        | Availability | Supply   |
|----------------|-----------------|--------------|----------|
| <b>12800BC</b> | <b>BluLub</b>   | On request   | 3 m bars |
| <b>12801C</b>  | <b>Ti-White</b> | On request   | 3 m bars |
| <b>12805C</b>  | Blue            | On request   | 3 m bars |

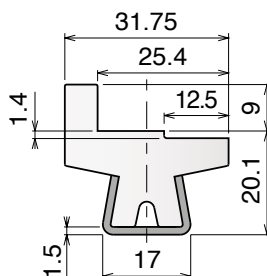
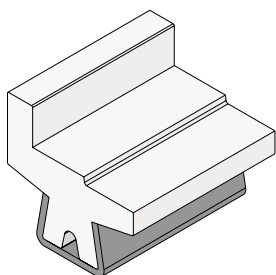
Generally used for driven rollers, for alignment/distribution system with 530 Pro LBP.



Example of application

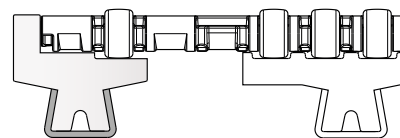
## NEW 129 Guida conica / Guide rail / Konische Führung

Stainless steel profile thickness: 1,5 mm



| Article-Nr.    | Material        | Availability | Supply   |
|----------------|-----------------|--------------|----------|
| <b>12900BC</b> | <b>BluLub</b>   | On request   | 3 m bars |
| <b>12901C</b>  | <b>Ti-White</b> | On request   | 3 m bars |
| <b>12905C</b>  | Blue            | On request   | 3 m bars |

Generally used for driven rollers, for alignment/distribution system with 530 Pro LBP.



Example of application

## 198-199

### Macchina curvatrice / Bending machine / Biegemaschine

Delivery: **Easy** **Standard**



#### **NEW** Electric Bending machine

Article-Nr. **19848**

Dimension base: 665 x 740 mm  
 Height: 1400 mm  
 Approximate weight: 170 Kg  
 Shafts diameter: 30 mm  
 Rolls diameter: 137 mm  
 Geared motor: HP 1  
 Shafts speed: 9 RPM  
 Steel frame  
 Two forming rolls  
 Steel shafts in special steel

#### Manual Bending machine

Article-Nr. **19999**

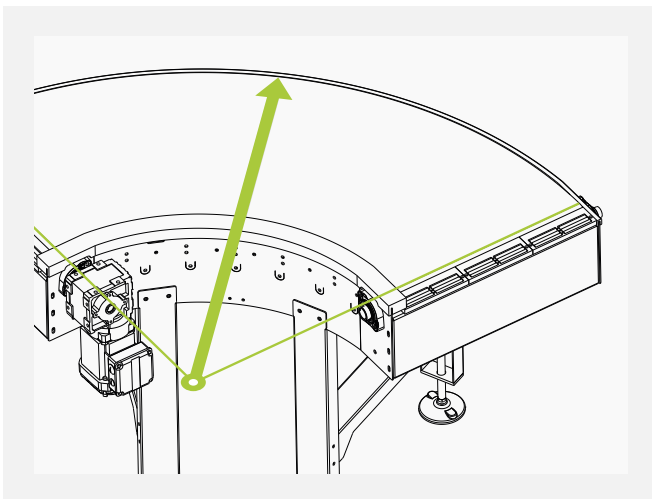


Dimension: 570 x 260 mm  
 Approximate weight: 19 Kg  
 Shafts diameter: 25 mm

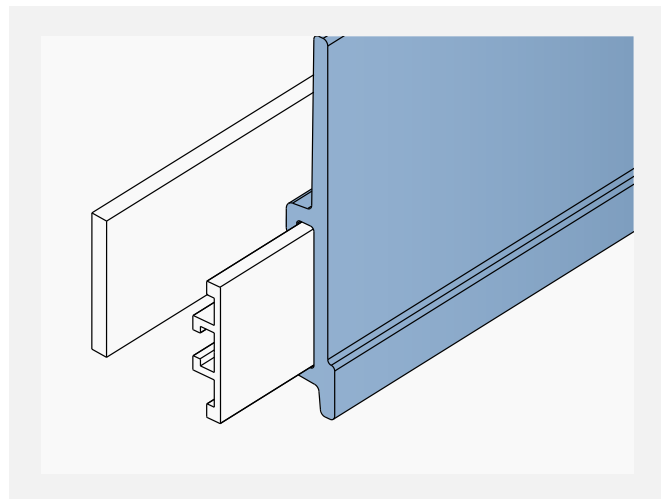
Height: 180 mm  
 Steel frame

**To achieve the correct curvature please follow below steps:**

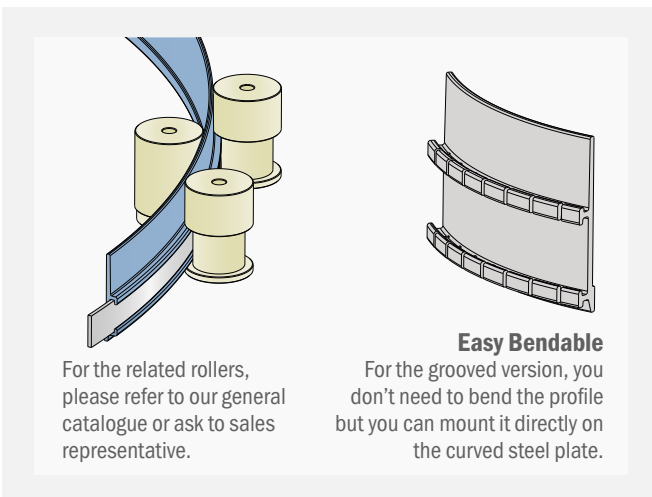
#### 1 | Identify correct curve radius angle



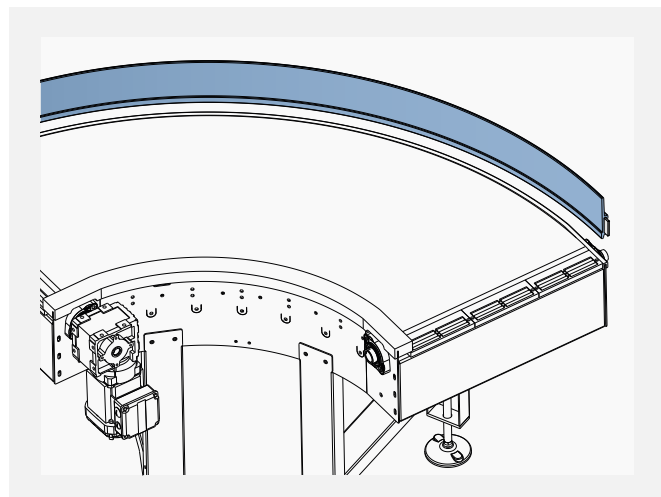
#### 2 | Insert the plate into the profile



#### 3 | Bend assembled profile



#### 4 | Assemble the curved profile on the line



\*For narrower profiles, bending operation can be done directly on the line, by hand.

**Material:**

Polyethylene UHMW-PE with molecular density 5,600,000 g/mol  
 Linear expansion coefficient:  $1.1 \times 10^{-4} \text{ } ^\circ\text{F}^{-1}$  ( $2 \times 10^{-4} \text{ } ^\circ\text{C}^{-1}$ )  
 Operating temperature: -40 to 176°F (-40 to +80°C)

## 151

### Rulli per macchina curvatrice / Roller for bending machine / Rollen für Biegemaschine

Ø 25 mm Manual bending machine

Ø 30 mm Electric bending machine

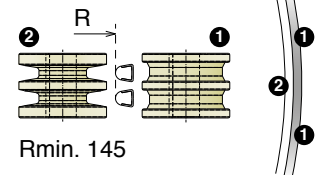
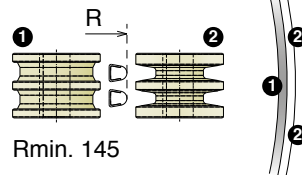


Internal curve

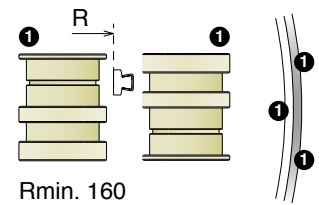
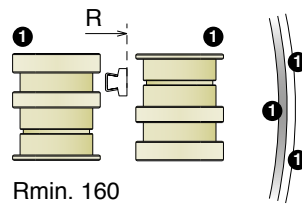
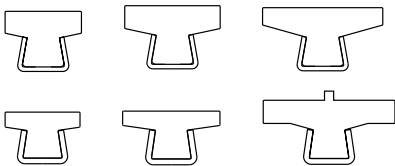


External curve

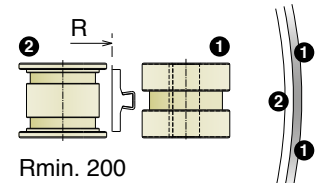
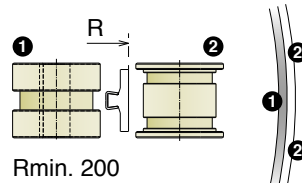
| Article-Nr. | Ø (mm) | Suitable for Part.    |
|-------------|--------|-----------------------|
| 15101       | 25     | 119 - 120 - 121 - 152 |
| 15101E      | 30     | 119 - 120 - 121 - 152 |



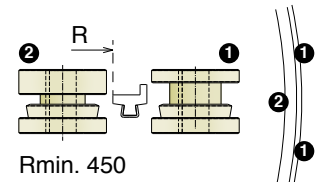
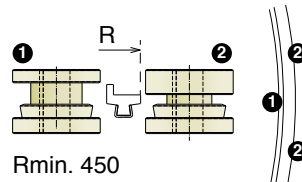
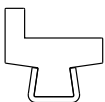
| Article-Nr. | Ø (mm) | Suitable for Part.                |
|-------------|--------|-----------------------------------|
| 15102       | 25     | 122 - 123 - 124 - 142 - 140 - 146 |
| 15102E      | 30     | 122 - 123 - 124 - 142 - 140 - 146 |



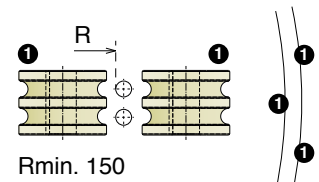
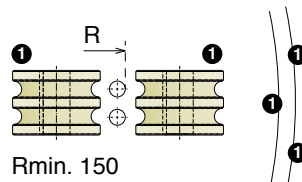
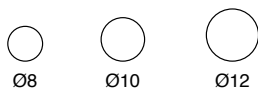
| Article-Nr. | Ø (mm) | Suitable for Part. |
|-------------|--------|--------------------|
| 15103       | 25     | 141                |
| 15103E      | 30     | 141                |



| Article-Nr. | Ø (mm) | Suitable for Part. |
|-------------|--------|--------------------|
| 15104       | 25     | 144                |
| 15104E      | 30     | 144                |



| Article-Nr. | Ø (mm) | Suitable for Part. |
|-------------|--------|--------------------|
| 15105       | 25     | Ø8 - Ø10 - Ø12     |
| 15105E      | 30     | Ø8 - Ø10 - Ø12     |





**Material:**

Polyethylene UHMW-PE with molecular density 5,600,000 g/mol  
 Linear expansion coefficient:  $1.1 \times 10^{-4} \text{ } ^\circ\text{F}^{-1}$  ( $2 \times 10^{-4} \text{ } ^\circ\text{C}^{-1}$ )  
 Operating temperature: -40 to 176°F (-40 to +80°C)

151

Rulli per macchina curvatrice / Roller for bending machine / Rollen für Biegemaschine

Ø 25 mm Manual bending machine

Ø 30 mm Electric bending machine

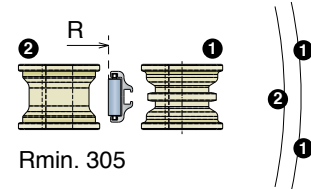
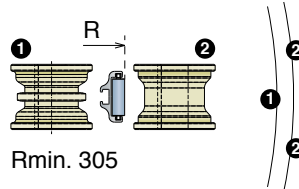
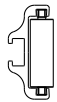


Internal curve

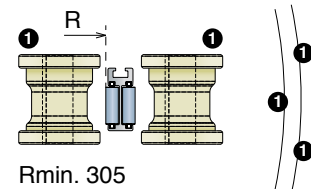
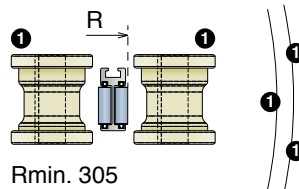
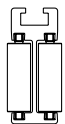


External curve

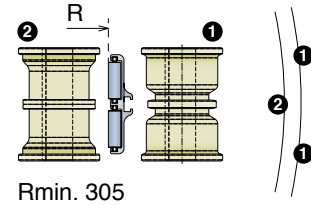
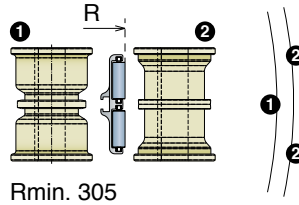
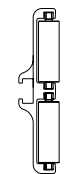
| Article-Nr. | Ø (mm) | Suitable for Part. |
|-------------|--------|--------------------|
| 15109       | 25     | 358                |
| 15109E      | 30     | 358                |



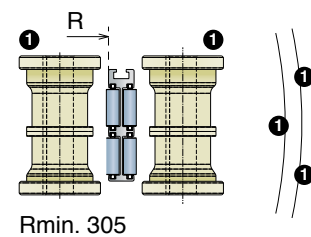
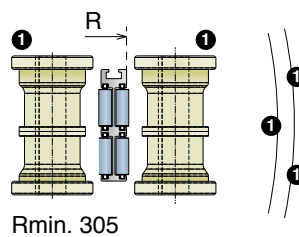
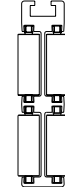
| Article-Nr. | Ø (mm) | Suitable for Part. |
|-------------|--------|--------------------|
| 15110       | 25     | 360                |
| 15110E      | 30     | 360                |



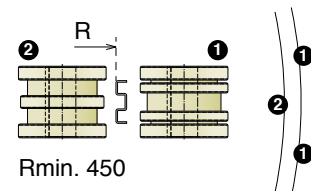
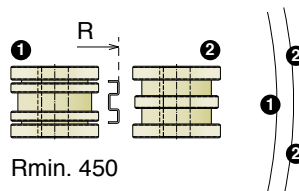
| Article-Nr. | Ø (mm) | Suitable for Part. |
|-------------|--------|--------------------|
| 15106       | 25     | 359                |
| 15106E      | 30     | 359                |



| Article-Nr. | Ø (mm) | Suitable for Part. |
|-------------|--------|--------------------|
| 15107       | 25     | 361                |
| 15107E      | 30     | 361                |



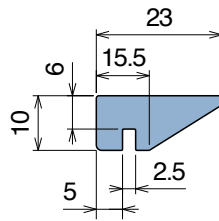
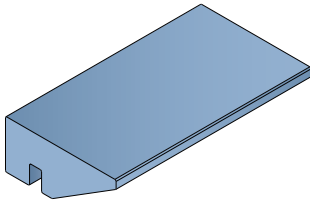
| Article-Nr. | Ø (mm) | Suitable for Part. |
|-------------|--------|--------------------|
| 15108       | 25     | 117                |
| 15108E      | 30     | 117                |



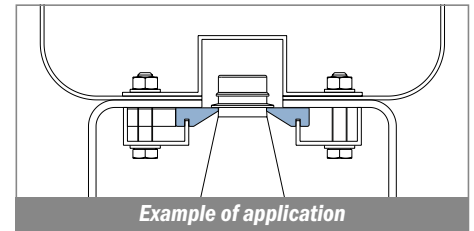
## 170

### Guida collo / Neck guide / Nackenführung

Delivery: **Easy** **Standard** Fit on 2,5 mm



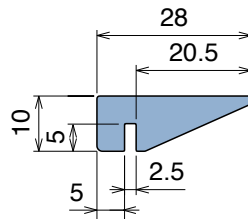
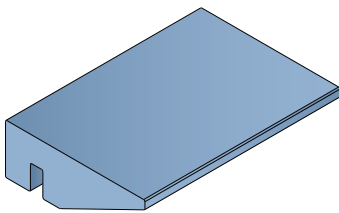
| Article-Nr. | Material | Availability | Supply     |
|-------------|----------|--------------|------------|
| 17001B      | BluLub   | Stock item   | 3 m bars   |
| 17002B      | BluLub   | Stock item   | 6 m bars   |
| 17000B      | BluLub   | Stock item   | 30 m coils |
| 17001       | Ti-White | On request   | 3 m bars   |
| 17002       | Ti-White | On request   | 6 m bars   |
| 17000       | Ti-White | On request   | 30 m coils |
| 17005C      | Blue     | On request   | 3 m bars   |
| 17005       | Blue     | On request   | 6 m bars   |
| 17005-30    | Blue     | On request   | 30 m coils |



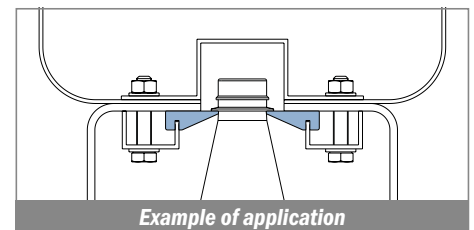
## 168

### Guida collo / Neck guide / Nackenführung

Delivery: **Easy** **Standard** Fit on 2,5 mm



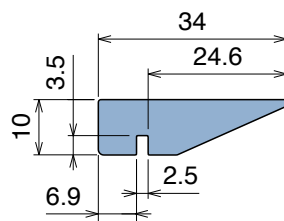
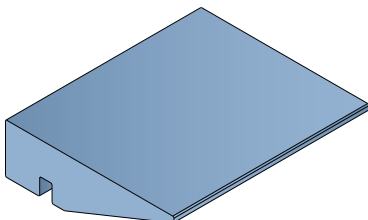
| Article-Nr. | Material | Availability | Supply     |
|-------------|----------|--------------|------------|
| 16801B      | BluLub   | Stock item   | 3 m bars   |
| 16802B      | BluLub   | On request   | 6 m bars   |
| 16800B      | BluLub   | Stock item   | 30 m coils |
| 16801       | Ti-White | On request   | 3 m bars   |
| 16802       | Ti-White | On request   | 6 m bars   |
| 16800       | Ti-White | On request   | 30 m coils |
| 16805C      | Blue     | On request   | 3 m bars   |
| 16805       | Blue     | On request   | 6 m bars   |
| 16805-30    | Blue     | On request   | 30 m coils |



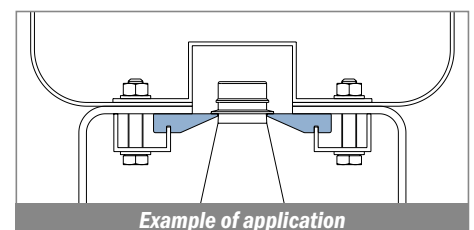
## 169

### Guida collo / Neck guide / Nackenführung

Delivery: **Easy** **Standard** Fit on 2,5 mm

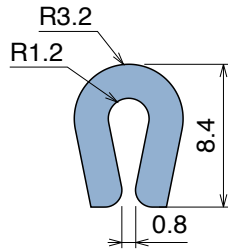
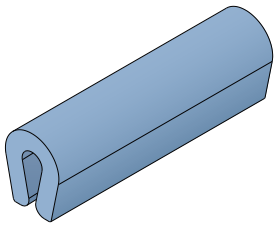


| Article-Nr. | Material | Availability | Supply     |
|-------------|----------|--------------|------------|
| 16901B      | BluLub   | Stock item   | 3 m bars   |
| 16902B      | BluLub   | On request   | 6 m bars   |
| 16900B      | BluLub   | Stock item   | 30 m coils |
| 16901       | Ti-White | On request   | 3 m bars   |
| 16902       | Ti-White | On request   | 6 m bars   |
| 16900       | Ti-White | On request   | 30 m coils |
| 16905C      | Blue     | On request   | 3 m bars   |
| 16905       | Blue     | On request   | 6 m bars   |
| 16905-30    | Blue     | On request   | 30 m coils |

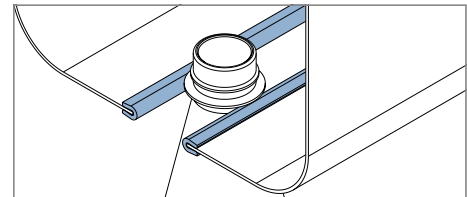


## 167 Guida collo / Neck guide / Nackenführung

Delivery: **Easy** **Standard** Fit on 1.8 - 2 mm



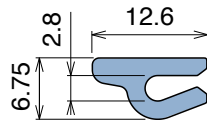
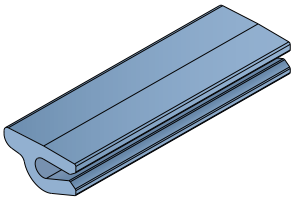
| Article-Nr. | Material | Availability | Supply     |
|-------------|----------|--------------|------------|
| 16700BC     | BluLub   | Stock item   | 3 m bars   |
| 16700B      | BluLub   | On request   | 6 m bars   |
| 16700B-30   | BluLub   | Stock item   | 30 m coils |
| 16700C      | Ti-White | On request   | 3 m bars   |
| 16700       | Ti-White | On request   | 6 m bars   |
| 16700-30    | Ti-White | On request   | 30 m coils |
| 16705C      | Blue     | On request   | 3 m bars   |
| 16705       | Blue     | On request   | 6 m bars   |
| 16705-30    | Blue     | On request   | 30 m coils |



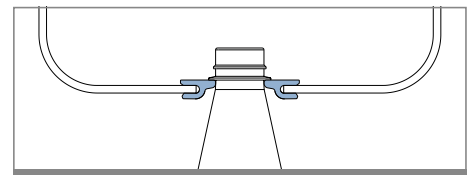
Example of application

## 192 Guida collo / Neck guide / Nackenführung

Delivery: **Easy** **Standard** Fit on 1.8 - 2 mm



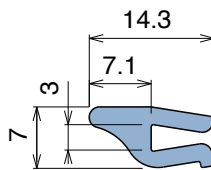
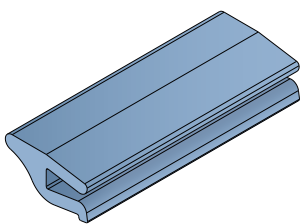
| Article-Nr. | Material | Availability | Supply     |
|-------------|----------|--------------|------------|
| 19200B      | BluLub   | Stock item   | 30 m coils |
| 19200       | Ti-White | On request   | 30 m coils |
| 19205       | Blue     | On request   | 30 m coils |



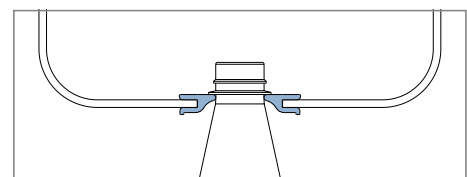
Example of application

## 1062 Guida collo / Neck guide / Nackenführung

Delivery: **Easy** **Standard** Fit on 1.8 - 2 mm



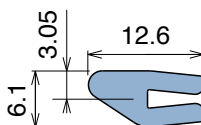
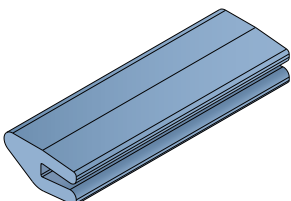
| Article-Nr. | Material | Availability | Supply     |
|-------------|----------|--------------|------------|
| 106200B     | BluLub   | Stock item   | 30 m coils |
| 106200      | Ti-White | On request   | 30 m coils |
| 106205      | Blue     | On request   | 30 m coils |



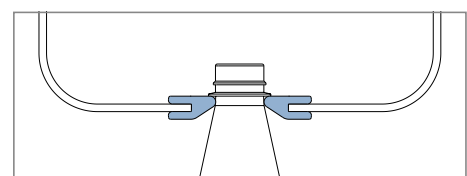
Example of application

## 1072 Guida collo / Neck guide / Nackenführung

Delivery: **Easy** **Standard** Fit on 1.8 - 2 mm



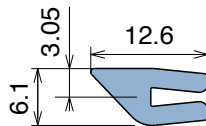
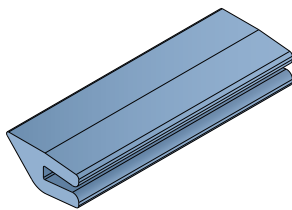
| Article-Nr. | Material | Availability | Supply     |
|-------------|----------|--------------|------------|
| 107200B     | BluLub   | Stock item   | 30 m coils |
| 107200      | Ti-White | On request   | 30 m coils |
| 107205      | Blue     | On request   | 30 m coils |



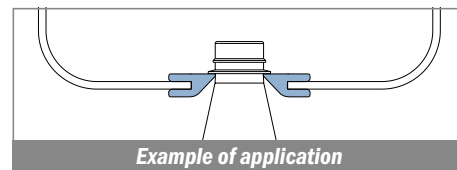
Example of application

## 1073 Guida collo / Neck guide / Nackenführung

Delivery: **Easy** **Standard** Fit on 1.8 - 2 mm

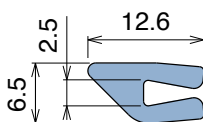
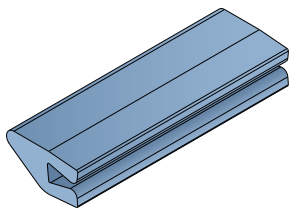


| Article-Nr. | Material | Availability | Supply     |
|-------------|----------|--------------|------------|
| 107300B     | BluLub   | Stock item   | 30 m coils |
| 107300      | Ti-White | On request   | 30 m coils |
| 107305      | Blue     | On request   | 30 m coils |

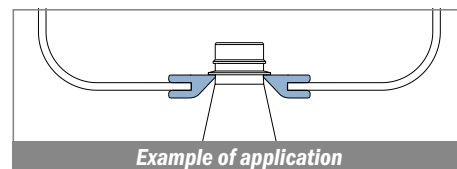


## NEW 1076 Guida collo / Neck guide / Nackenführung

Delivery: **Easy** **Standard** Fit on 1.8 - 2 mm

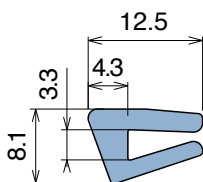
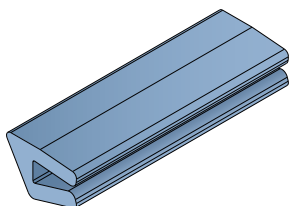


| Article-Nr. | Material | Availability | Supply     |
|-------------|----------|--------------|------------|
| 107600B     | BluLub   | Stock item   | 30 m coils |
| 107600      | Ti-White | On request   | 30 m coils |
| 107605      | Blue     | On request   | 30 m coils |

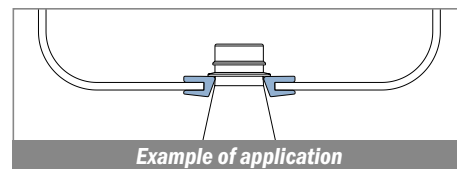


## 1037 Guida collo / Neck guide / Nackenführung

Delivery: **Easy** **Standard** Fit on 3 mm

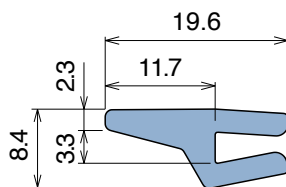
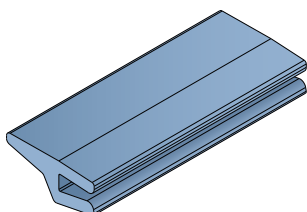


| Article-Nr. | Material | Availability | Supply     |
|-------------|----------|--------------|------------|
| 103700B     | BluLub   | Stock item   | 30 m coils |
| 103700      | Ti-White | On request   | 30 m coils |
| 103705      | Blue     | On request   | 30 m coils |

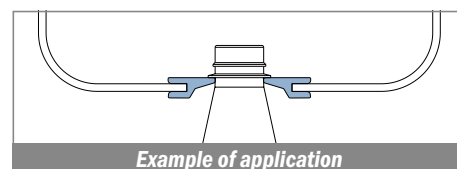


## 171 Guida collo / Neck guide / Nackenführung

Delivery: **Easy** **Standard** Fit on 3 mm

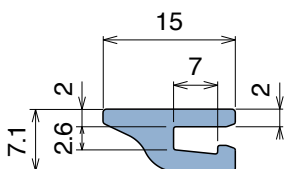
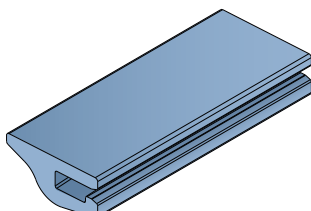


| Article-Nr. | Material | Availability | Supply     |
|-------------|----------|--------------|------------|
| 17100B      | BluLub   | Stock item   | 30 m coils |
| 17100       | Ti-White | On request   | 30 m coils |
| 17105       | Blue     | On request   | 30 m coils |

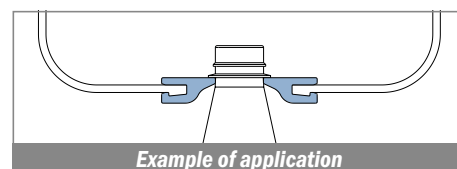


## 172 Guida collo / Neck guide / Nackenführung

Delivery: **Easy** **Standard** Fit on 3 mm



| Article-Nr. | Material | Availability | Supply     |
|-------------|----------|--------------|------------|
| 17200B      | BluLub   | Stock item   | 30 m coils |
| 17200       | Ti-White | On request   | 30 m coils |
| 17205       | Blue     | On request   | 30 m coils |

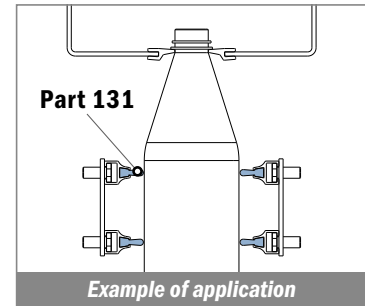
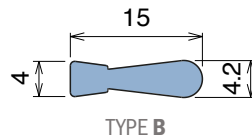
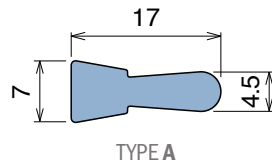
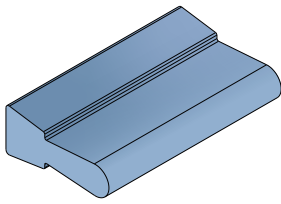


## 131

### Profilo guida bottiglia / Plastic rail for bottle guide / Flaschenführungs Profil

Delivery: **Easy** **Standard**

| Article-Nr. | Type | Material | Availability | Supply     |
|-------------|------|----------|--------------|------------|
| 13101B      | A    | BluLub   | Stock item   | 30 m coils |
| 13102B      | B    | BluLub   | Stock item   | 30 m coils |
| 13106       | A    | Ti-White | On request   | 30 m coils |
| 13107       | B    | Ti-White | On request   | 30 m coils |
| 13108       | A    | Blue     | On request   | 30 m coils |
| 13109       | B    | Blue     | On request   | 30 m coils |
| 13101       | A    | Grey     | Stock item   | 30 m coils |
| 13102       | B    | Grey     | Stock item   | 30 m coils |

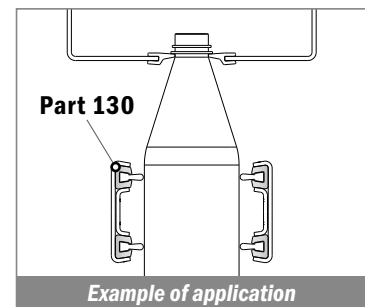
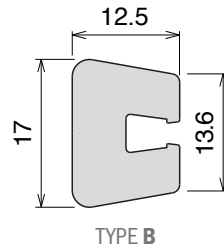
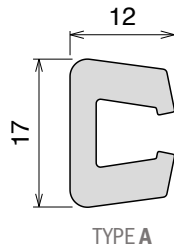
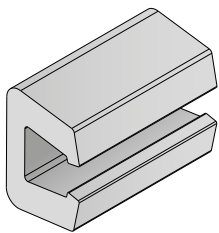


## 130

### Profilo in alluminio / Aluminum rail / Aluminium Profil

Delivery: **Easy** **Standard**

| Article-Nr. | Type | Availability | Supply   |
|-------------|------|--------------|----------|
| 13001C      | A    | Stock item   | 3 m bars |
| 13001       | A    | On request   | 6 m bars |
| 13002C      | B    | On request   | 3 m bars |

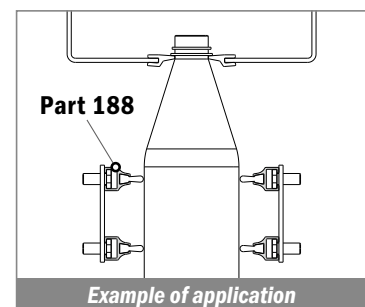
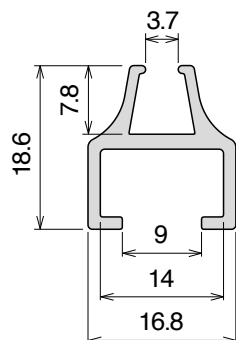
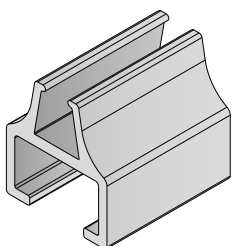


## 188

### Profilo in alluminio / Aluminum rail / Aluminium Profil

Delivery: **Easy** **Standard**

| Article-Nr. | Availability | Supply   |
|-------------|--------------|----------|
| 18801C      | Stock item   | 3 m bars |
| 18801       | Stock item   | 6 m bars |



Used with  
Part 362 Pag 493  
and Part 1097 Pag 510



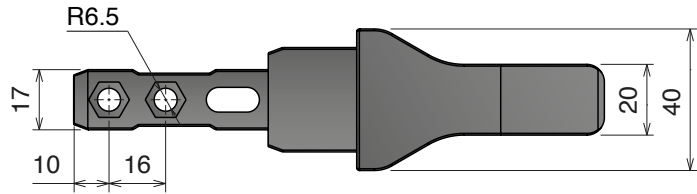
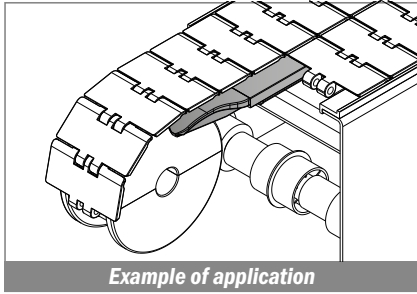
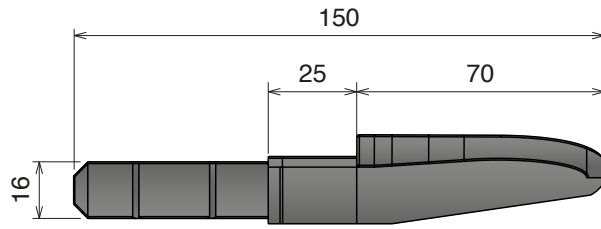
## 113

### Pattino guida catena, centrale / Central wear strip shoe / Zentraler Einlaufschuh

Delivery: **Easy** **Standard** Used with Part 112 Pag 373

| Article-Nr. | Colour | Availability |
|-------------|--------|--------------|
|-------------|--------|--------------|

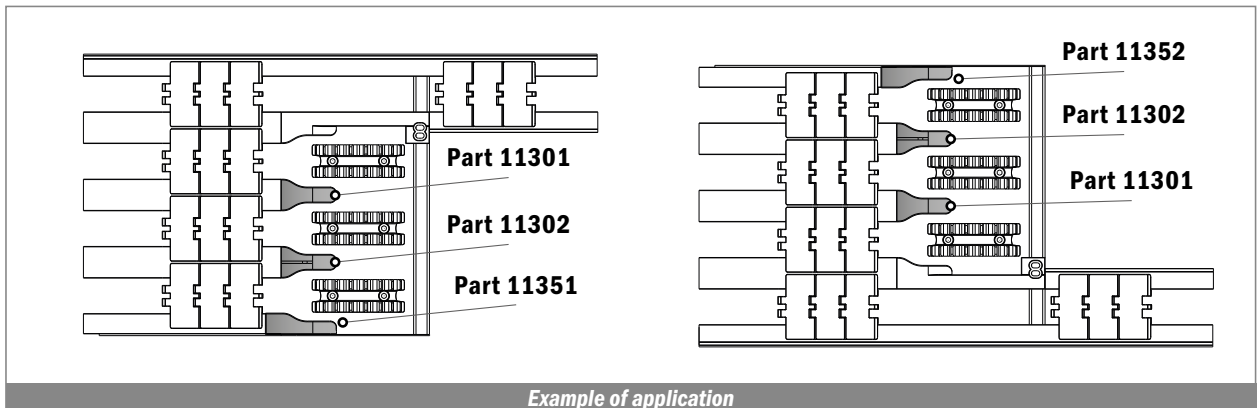
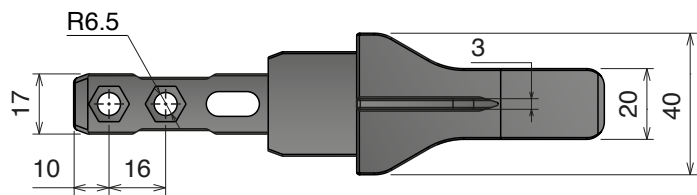
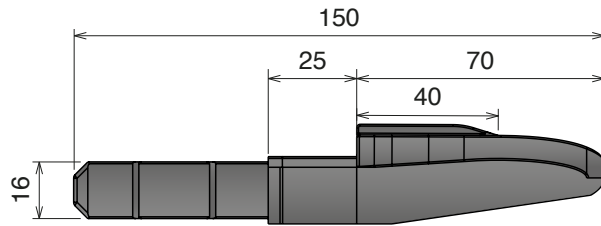
|              |       |            |
|--------------|-------|------------|
| <b>11301</b> | Black | On request |
|--------------|-------|------------|



### CON NERVATURA / WITH NOSE / MIT NASE

| Article-Nr. | Colour | Availability |
|-------------|--------|--------------|
|-------------|--------|--------------|

|              |       |            |
|--------------|-------|------------|
| <b>11302</b> | Black | On request |
|--------------|-------|------------|



**Materiale / Material / Materialien:**  
 Poliammide rinforzato  
 Polyamide reinforced  
 Verstärktes Polyamid

NEW

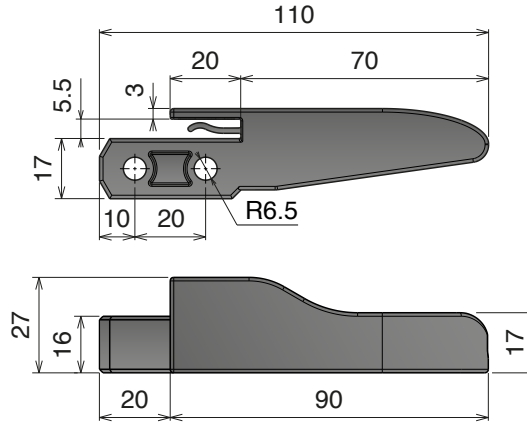
## 113

### Pattino guida catena, laterale / Lateral wear strip shoe / Seitlicher Einlaufschuh

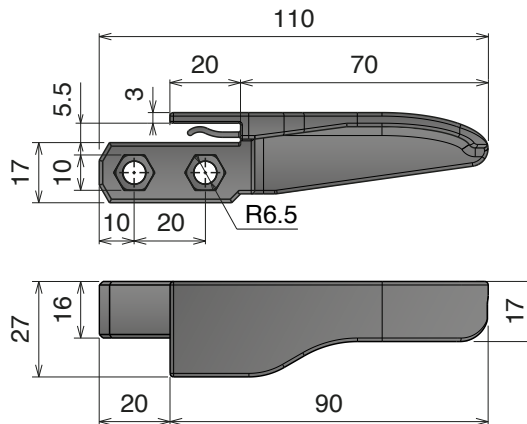
Delivery: **Easy** **Standard**

| Article-Nr. | Colour | Availability |
|-------------|--------|--------------|
| 11351       | Black  | On request   |

VERSION LEFT



VERSION RIGHT



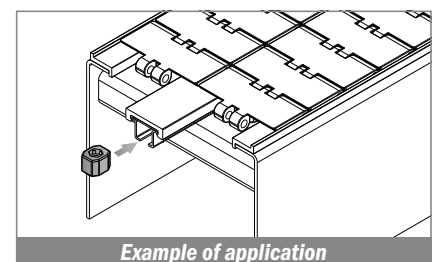
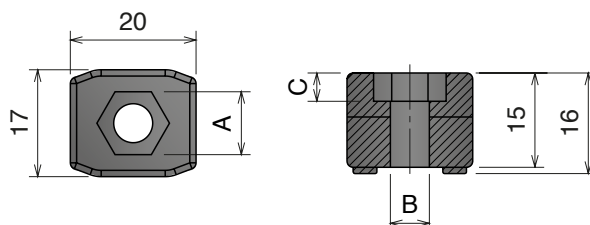
| Article-Nr. | Colour | Availability |
|-------------|--------|--------------|
| 11352       | Black  | On request   |

## 114

### Blocchetto fissaggio / Fixing clamp / Fixierblock

Delivery: **Easy** **Standard** Used with Part 112 Pag 373

| Article-Nr. | A  | B   | C   | Colour | Availability |
|-------------|----|-----|-----|--------|--------------|
| 11401       | 10 | 6,2 | 4,5 | Black  | On request   |
| 11402       | 13 | 8,2 | 6   | Black  | On request   |



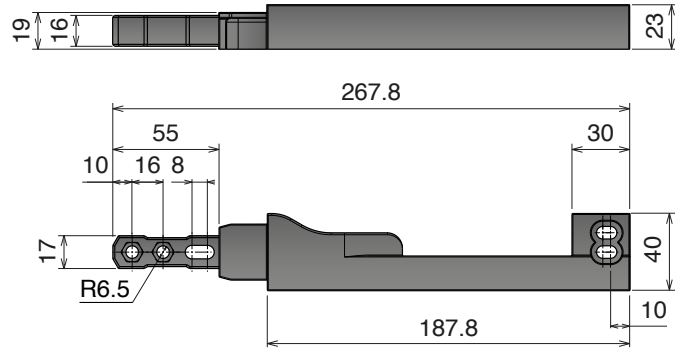
**NEW 116**

**Pattino guida catena, laterale / Side transfer guide shoe / Seitlicher Transfer Schuh**

Delivery: **Easy** **Standard** Used with Part 112 Pag 373

| Article-Nr.  | Colour | Availability |
|--------------|--------|--------------|
| <b>11651</b> | Black  | On request   |

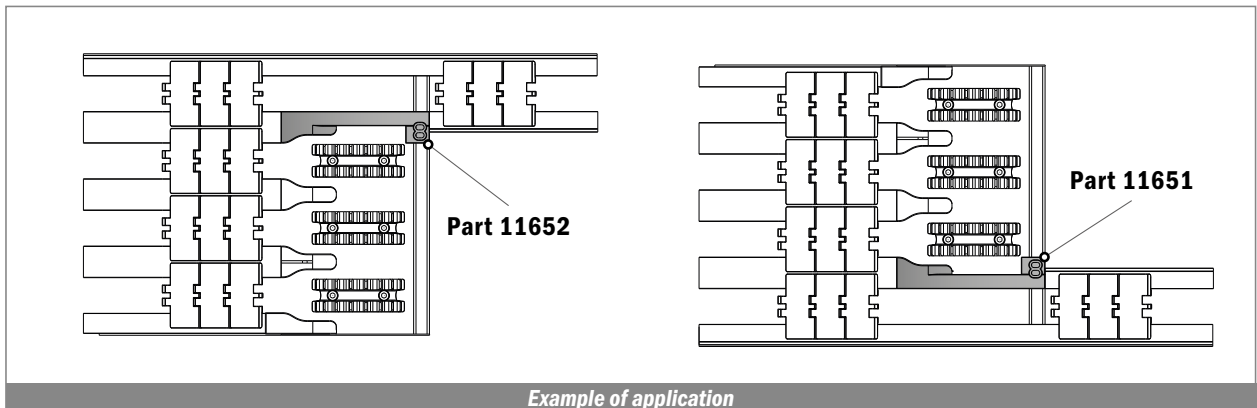
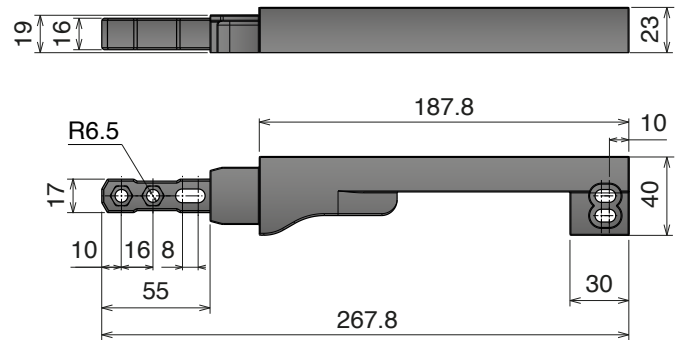
VERSION LEFT



VERSION RIGHT



| Article-Nr.  | Colour | Availability |
|--------------|--------|--------------|
| <b>11652</b> | Black  | On request   |





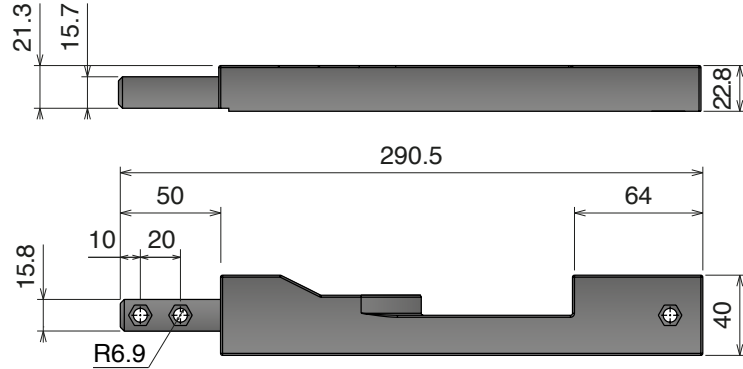
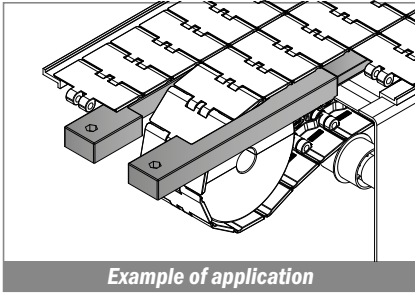
**Materiale / Material / Materialien:**  
 Poliammide rinforzato  
 Polyamide reinforced  
 Verstärktes Polyamid

## 116 Pattino guida catena, laterale / Side transfer guide shoe / Seitlicher Tranferschuh

Delivery: **Easy** **Standard** Used with Part 112 Pag 373

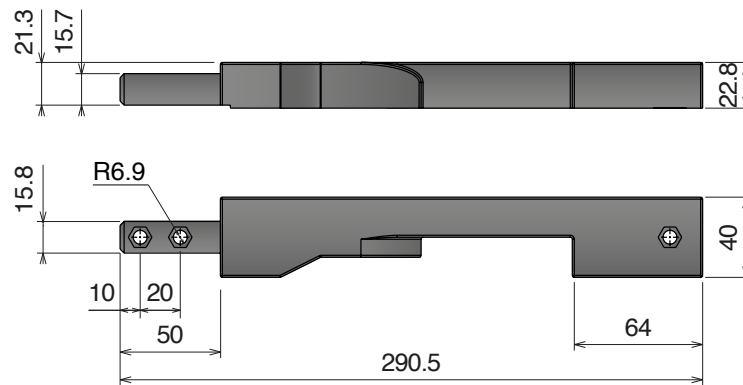
| Article-Nr. | Colour | Availability |
|-------------|--------|--------------|
| 11601       | Black  | On request   |

VERSION LEFT



VERSION RIGHT

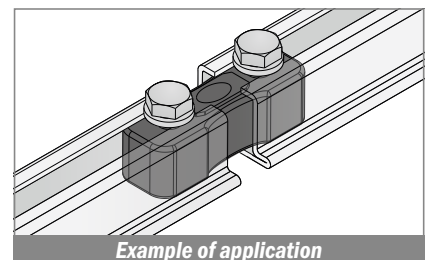
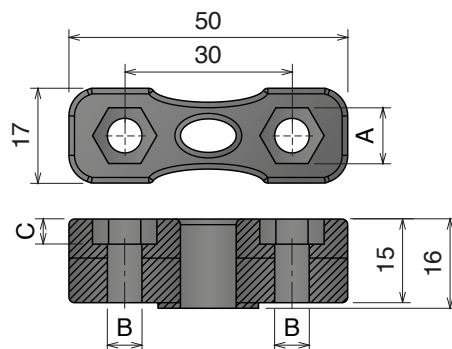
| Article-Nr. | Colour | Availability |
|-------------|--------|--------------|
| 11602       | Black  | On request   |

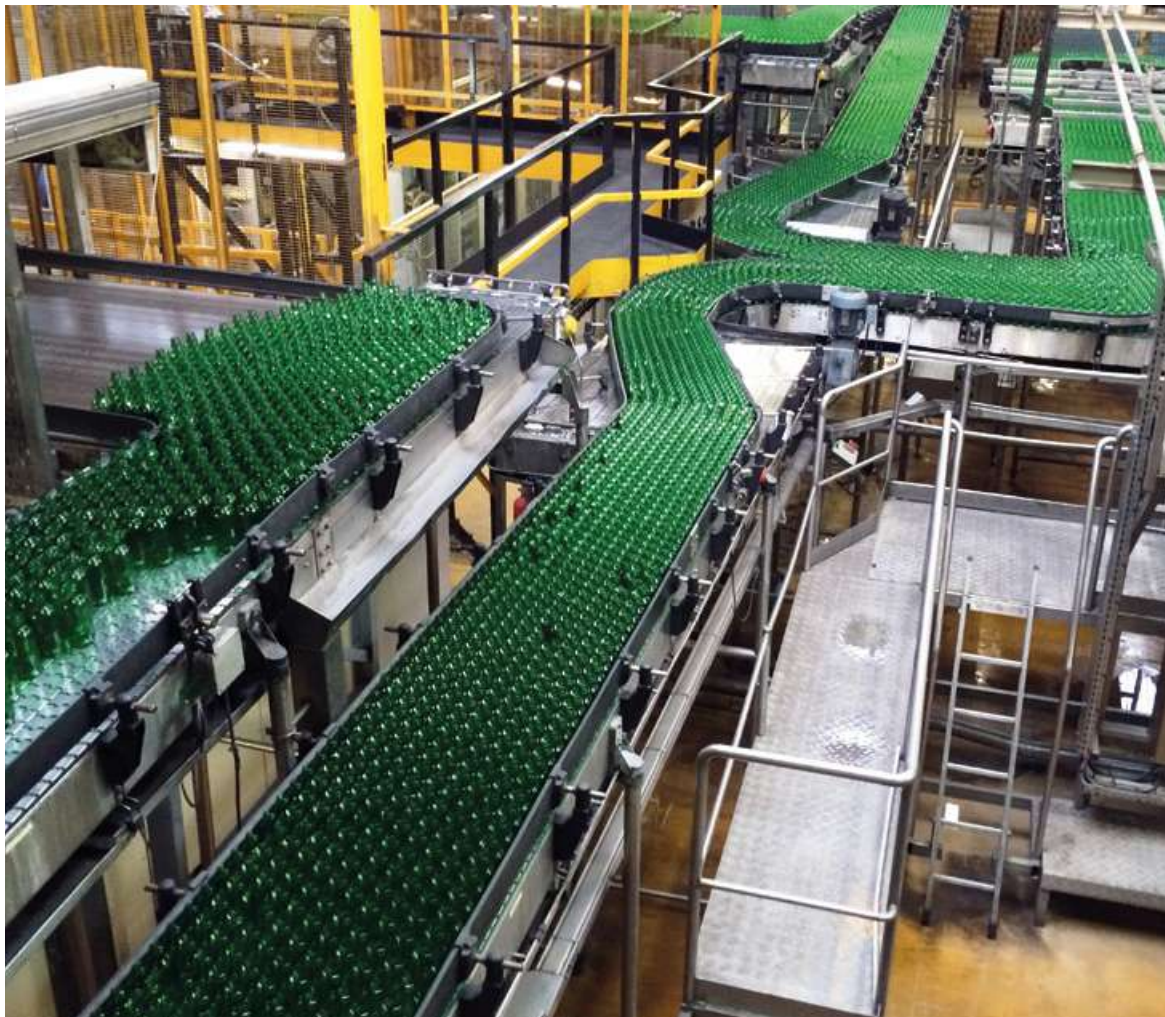


## 115 Blocchetto giunzione / Connecting element / Verbindungselement

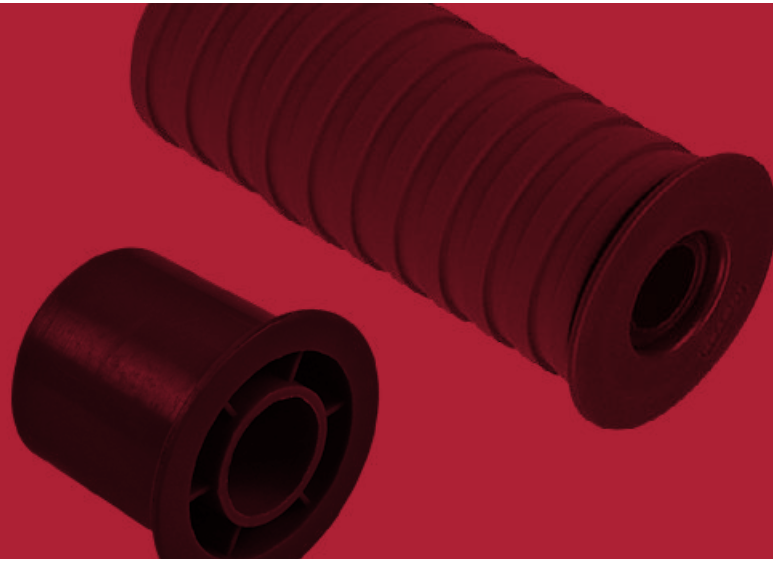
Delivery: **Easy** **Standard** Used with Part 112 Pag 373

| Article-Nr. | A  | B   | C   | Colour | Availability |
|-------------|----|-----|-----|--------|--------------|
| 11501       | 10 | 6,2 | 4,5 | Black  | On request   |
| 11502       | 13 | 8,2 | 6   | Black  | On request   |





# 435



# Return components

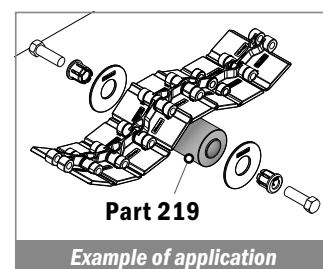
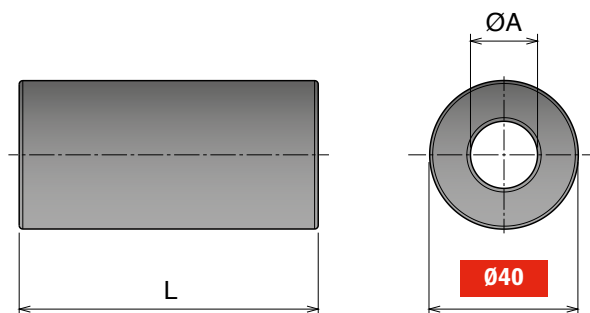
## 219 Rullini di ritorno D=40 mm Return roller D=40 mm / Rückführrolle D=40 mm

**WATERTIGHT**

Delivery: **Easy** **Standard**



| Part | Article-Nr. | L    | ØA |
|------|-------------|------|----|
| 219  | 21951       | 41   | 16 |
| 219  | 21952       | 41   | 18 |
| 219  | 21953       | 41   | 20 |
| 219  | 21901       | 82,5 | 16 |
| 219  | 21902       | 82,5 | 18 |
| 219  | 21903       | 82,5 | 20 |
| 219  | 21911       | 84,5 | 16 |
| 219  | 21912       | 84,5 | 18 |
| 219  | 21913       | 84,5 | 20 |
| 219  | 21964       | 116  | 12 |
| 219  | 21961       | 116  | 16 |
| 219  | 21962       | 116  | 18 |
| 219  | 21963       | 116  | 20 |



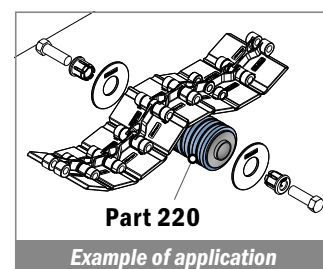
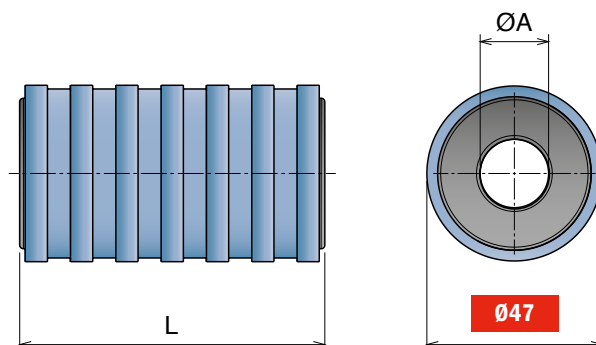
## 220 Rullini di ritorno gommati D=47 mm Return roller with rubber D=47 mm / Rückführrolle gummiert D=47 mm

**WATERTIGHT**

Delivery: **Easy** **Standard**



| Part | Article-Nr. | L    | ØA |
|------|-------------|------|----|
| 220  | 22051       | 41   | 16 |
| 220  | 22052       | 41   | 18 |
| 220  | 22053       | 41   | 20 |
| 220  | 22001       | 82,5 | 16 |
| 220  | 22002       | 82,5 | 18 |
| 220  | 22003       | 82,5 | 20 |
| 220  | 22011       | 84,5 | 16 |
| 220  | 22012       | 84,5 | 18 |
| 220  | 22013       | 84,5 | 20 |
| 220  | 22064       | 116  | 12 |
| 220  | 22061       | 116  | 16 |
| 220  | 22062       | 116  | 18 |
| 220  | 22063       | 116  | 20 |



Materiali / Material / Materialien:  
 Rullino: Polietilene (PE) / Polyethylene (PE) / Polyäthylen (PE)  
 Gomma: TPR / Rubber: TPR / Gummi: TPR

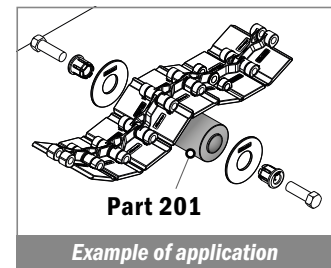
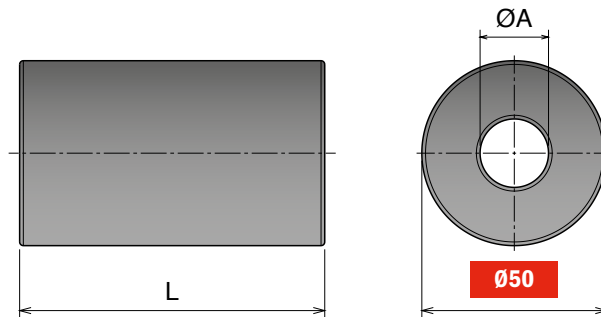
## 201 Rullini di ritorno D=50 mm Return roller D=50 mm / Rückführrolle D=50 mm

**WATERTIGHT**

Delivery: **Easy** **Standard**



| Part | Article-Nr. | L    | ØA |
|------|-------------|------|----|
| 201  | 20151       | 41   | 16 |
| 201  | 20152       | 41   | 18 |
| 201  | 20153       | 41   | 20 |
| 201  | 20101       | 82,5 | 16 |
| 201  | 20102       | 82,5 | 18 |
| 201  | 20103       | 82,5 | 20 |
| 201  | 20111       | 84,5 | 16 |
| 201  | 20112       | 84,5 | 18 |
| 201  | 20113       | 84,5 | 20 |
| 201  | 20164       | 116  | 12 |
| 201  | 20161       | 116  | 16 |
| 201  | 20162       | 116  | 18 |
| 201  | 20163       | 116  | 20 |



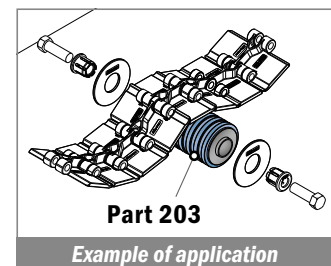
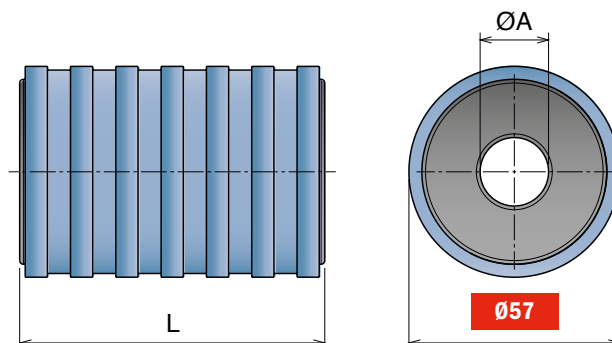
## 203 Rullini di ritorno gommati D=57 mm Return roller with rubber D=57 mm / Rückführrolle gummiert D=57 mm

**WATERTIGHT**

Delivery: **Easy** **Standard**

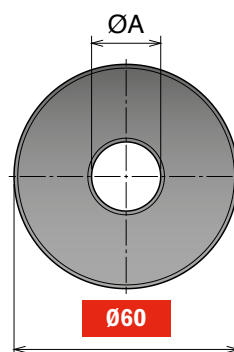
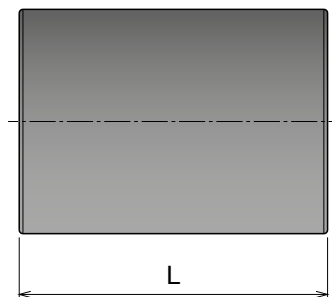
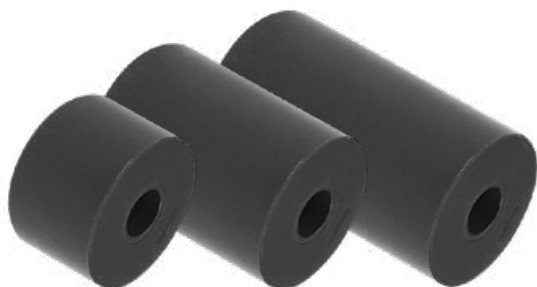


| Part | Article-Nr. | L    | ØA |
|------|-------------|------|----|
| 203  | 20351       | 41   | 16 |
| 203  | 20352       | 41   | 18 |
| 203  | 20353       | 41   | 20 |
| 203  | 20301       | 82,5 | 16 |
| 203  | 20302       | 82,5 | 18 |
| 203  | 20303       | 82,5 | 20 |
| 203  | 20311       | 84,5 | 16 |
| 203  | 20312       | 84,5 | 18 |
| 203  | 20313       | 84,5 | 20 |
| 203  | 20364       | 116  | 12 |
| 203  | 20361       | 116  | 16 |
| 203  | 20362       | 116  | 18 |
| 203  | 20363       | 116  | 20 |



## 202 Rullini di ritorno D=60 mm Return roller D=60 mm / Rückführrolle D=60 mm

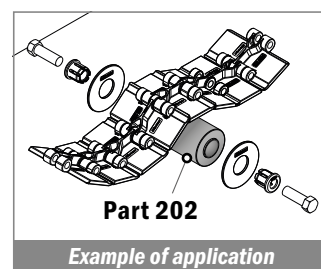
Delivery: **Easy** **Standard**



RANGE EXTENSION

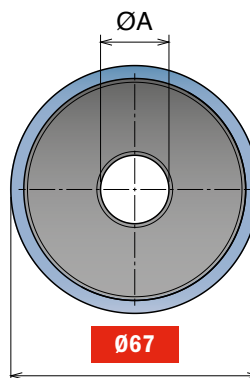
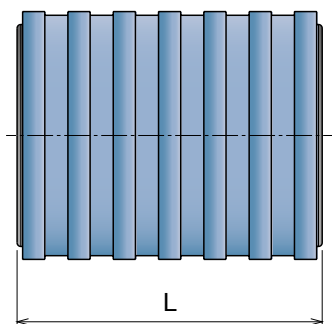
WATERTIGHT

| Part | Article-Nr. | L    | ØA |
|------|-------------|------|----|
| 202  | 20251       | 41   | 16 |
| 202  | 20252       | 41   | 18 |
| 202  | 20253       | 41   | 20 |
| 202  | 20201       | 82,5 | 16 |
| 202  | 20202       | 82,5 | 18 |
| 202  | 20203       | 82,5 | 20 |
| 202  | 20211       | 84,5 | 16 |
| 202  | 20212       | 84,5 | 18 |
| 202  | 20213       | 84,5 | 20 |
| 202  | 20264       | 116  | 12 |
| 202  | 20261       | 116  | 16 |
| 202  | 20262       | 116  | 18 |
| 202  | 20263       | 116  | 20 |



## 204 Rullini di ritorno gommati D=67 mm Return roller with rubber D=67 mm / Rückführrolle gummiert D=67 mm

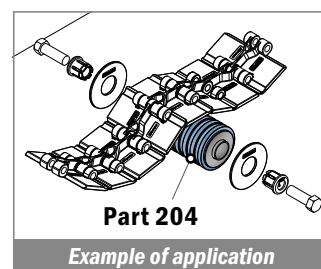
Delivery: **Easy** **Standard**



RANGE EXTENSION

WATERTIGHT

| Part | Article-Nr. | L    | ØA |
|------|-------------|------|----|
| 204  | 20451       | 41   | 16 |
| 204  | 20452       | 41   | 18 |
| 204  | 20453       | 41   | 20 |
| 204  | 20401       | 82,5 | 16 |
| 204  | 20402       | 82,5 | 18 |
| 204  | 20403       | 82,5 | 20 |
| 204  | 20411       | 84,5 | 16 |
| 204  | 20412       | 84,5 | 18 |
| 204  | 20413       | 84,5 | 20 |
| 204  | 20464       | 116  | 12 |
| 204  | 20461       | 116  | 16 |
| 204  | 20462       | 116  | 18 |
| 204  | 20463       | 116  | 20 |



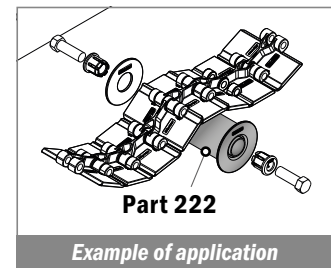
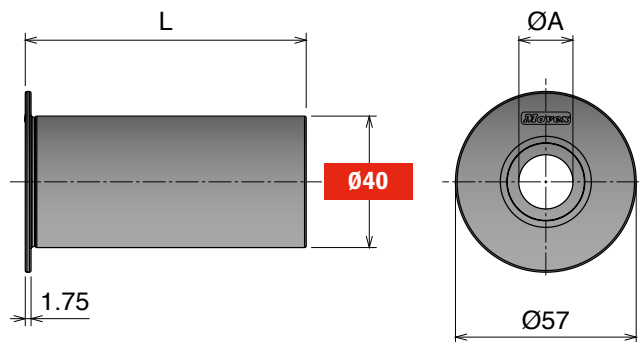
Materiale / Material / Materialien:  
 Rullino: Polietilene (PE) / Polyethylene (PE) / Polyäthylen (PE)  
 Gomma: TPR / Rubber: TPR / Gummi: TPR

## 222 Rullini di ritorno flangiati D=40 mm Return roller with flange D=40 mm / Rückführrolle mit Seitenscheibe D=40 mm

**WATERTIGHT**

Delivery: **Easy** **Standard**

| Part | Article-Nr. | L    | ØA |
|------|-------------|------|----|
| 222  | 22251       | 43   | 16 |
| 222  | 22252       | 43   | 18 |
| 222  | 22253       | 43   | 20 |
| 222  | 22201       | 85,5 | 16 |
| 222  | 22202       | 85,5 | 18 |
| 222  | 22203       | 85,5 | 20 |
| 222  | 22211       | 87,5 | 16 |
| 222  | 22212       | 87,5 | 18 |
| 222  | 22213       | 87,5 | 20 |
| 222  | 22264       | 119  | 12 |
| 222  | 22261       | 119  | 16 |
| 222  | 22262       | 119  | 18 |
| 222  | 22263       | 119  | 20 |

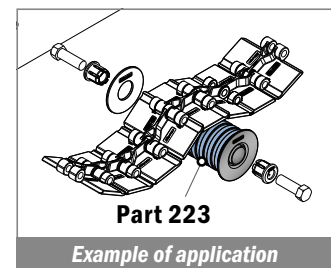
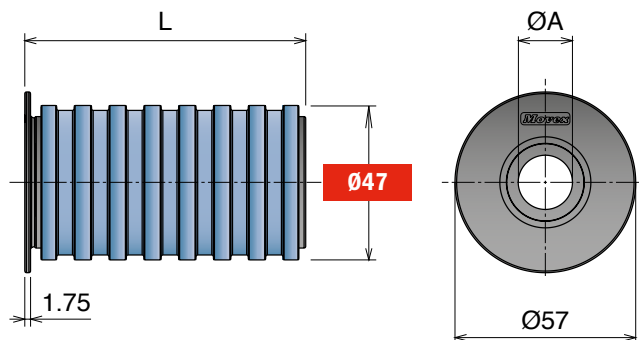
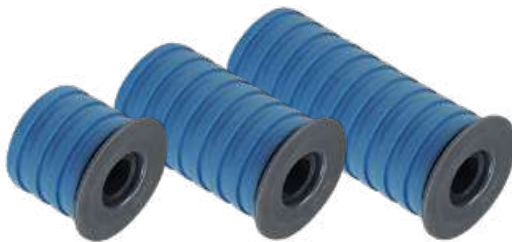


## 223 Rullini di ritorno flangiati gommati D=47 mm Return roller with flange and rubber D=47 mm / Rückführrolle gummiert mit Seitenscheibe D=47 mm

**WATERTIGHT**

Delivery: **Easy** **Standard**

| Part | Article-Nr. | L    | ØA |
|------|-------------|------|----|
| 223  | 22351       | 43   | 16 |
| 223  | 22352       | 43   | 18 |
| 223  | 22353       | 43   | 20 |
| 223  | 22301       | 85,5 | 16 |
| 223  | 22302       | 85,5 | 18 |
| 223  | 22303       | 85,5 | 20 |
| 223  | 22311       | 87,5 | 16 |
| 223  | 22312       | 87,5 | 18 |
| 223  | 22313       | 87,5 | 20 |
| 223  | 22364       | 119  | 12 |
| 223  | 22361       | 119  | 16 |
| 223  | 22362       | 119  | 18 |
| 223  | 22363       | 119  | 20 |



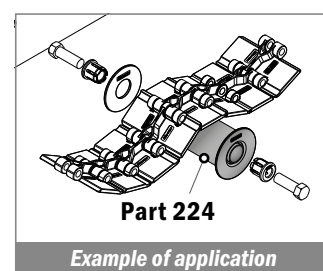
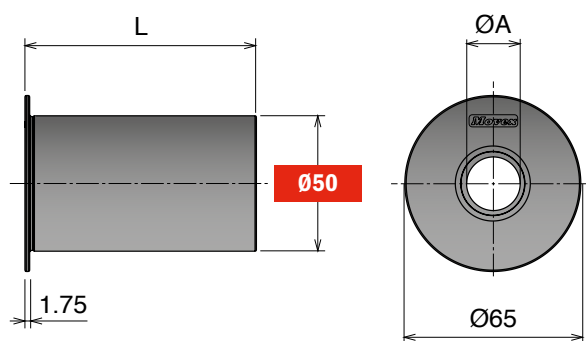
## 224 Rullini di ritorno flangiati D=50 mm Return roller with flange D=50 mm / Rückführrolle mit Seitenscheibe D=50 mm



Delivery: **Easy** Standard



| Part | Article-Nr. | L    | ØA |
|------|-------------|------|----|
| 224  | 22451       | 43   | 16 |
| 224  | 22452       | 43   | 18 |
| 224  | 22453       | 43   | 20 |
| 224  | 22401       | 85,5 | 16 |
| 224  | 22402       | 85,5 | 18 |
| 224  | 22403       | 85,5 | 20 |
| 224  | 22411       | 87,5 | 16 |
| 224  | 22412       | 87,5 | 18 |
| 224  | 22413       | 87,5 | 20 |
| 224  | 22464       | 119  | 12 |
| 224  | 22461       | 119  | 16 |
| 224  | 22462       | 119  | 18 |
| 224  | 22463       | 119  | 20 |



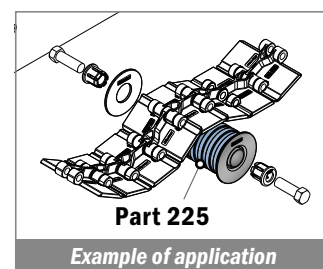
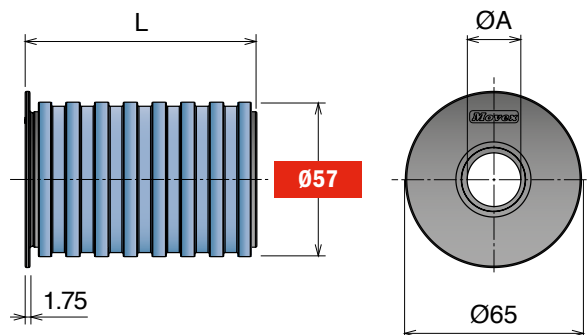
## 225 Rullini di ritorno flangiati gommati D=57 mm Return roller with flange and rubber D=57 mm / Rückführrolle gummiert mit Seitenscheibe D=57 mm



Delivery: **Easy** Standard



| Part | Article-Nr. | L    | ØA |
|------|-------------|------|----|
| 225  | 22551       | 43   | 16 |
| 225  | 22552       | 43   | 18 |
| 225  | 22553       | 43   | 20 |
| 225  | 22501       | 85,5 | 16 |
| 225  | 22502       | 85,5 | 18 |
| 225  | 22503       | 85,5 | 20 |
| 225  | 22511       | 87,5 | 16 |
| 225  | 22512       | 87,5 | 18 |
| 225  | 22513       | 87,5 | 20 |
| 225  | 22564       | 119  | 12 |
| 225  | 22561       | 119  | 16 |
| 225  | 22562       | 119  | 18 |
| 225  | 22563       | 119  | 20 |



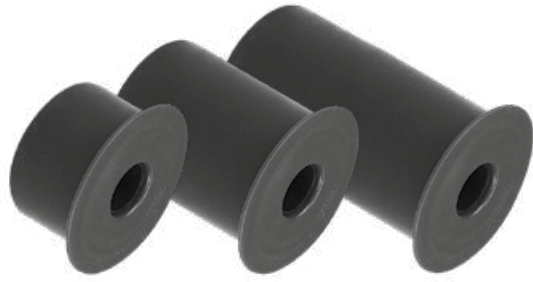


• Materiale / Material / Materialien:  
 Rullino: Polietilene (PE) / Polyethylene (PE) / Polyäthylen (PE)  
 Gomma: TPR / Rubber: TPR / Gummi: TPR

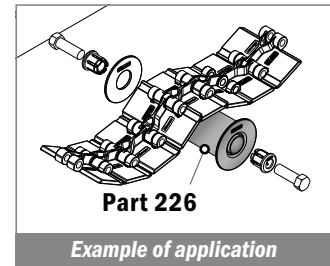
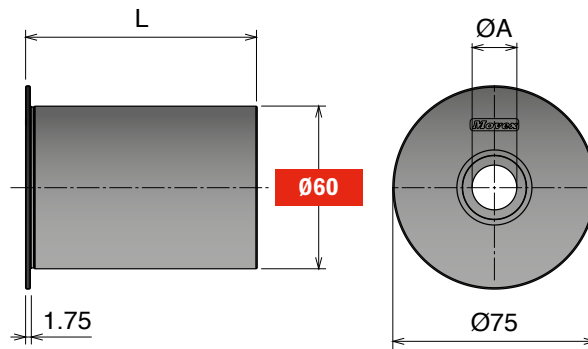
## 226 Rullini di ritorno flangiati D=60 mm Return roller with flange D=60 mm / Rückführrolle mit Seitenscheibe D=60 mm

**WATERTIGHT**

Delivery: **Easy** **Standard**



| Part | Article-Nr. | L    | ØA |
|------|-------------|------|----|
| 226  | 22651       | 43   | 16 |
| 226  | 22652       | 43   | 18 |
| 226  | 22653       | 43   | 20 |
| 226  | 22601       | 85,5 | 16 |
| 226  | 22602       | 85,5 | 18 |
| 226  | 22603       | 85,5 | 20 |
| 226  | 22611       | 87,5 | 16 |
| 226  | 22612       | 87,5 | 18 |
| 226  | 22613       | 87,5 | 20 |
| 226  | 22664       | 119  | 12 |
| 226  | 22661       | 119  | 16 |
| 226  | 22662       | 119  | 18 |
| 226  | 22663       | 119  | 20 |



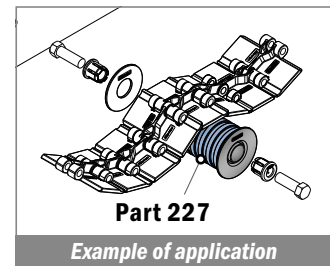
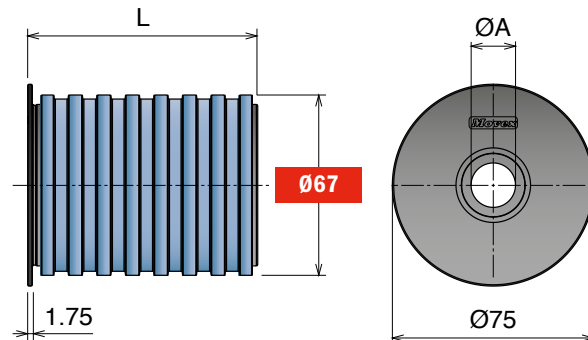
## 227 Rullini di ritorno flangiati gommati D=67 mm Return roller with flange and rubber D=67 mm / Rückführrolle gummiert mit Seitenscheibe D=67 mm

**WATERTIGHT**

Delivery: **Easy** **Standard**

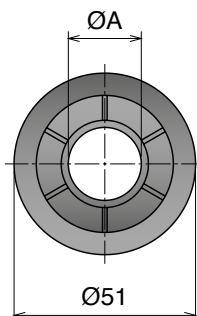
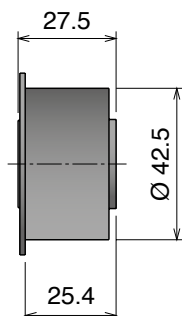


| Part | Article-Nr. | L    | ØA |
|------|-------------|------|----|
| 227  | 22751       | 43   | 16 |
| 227  | 22752       | 43   | 18 |
| 227  | 22753       | 43   | 20 |
| 227  | 22701       | 85,5 | 16 |
| 227  | 22702       | 85,5 | 18 |
| 227  | 22703       | 85,5 | 20 |
| 227  | 22711       | 87,5 | 16 |
| 227  | 22712       | 87,5 | 18 |
| 227  | 22713       | 87,5 | 20 |
| 227  | 22764       | 119  | 12 |
| 227  | 22761       | 119  | 16 |
| 227  | 22762       | 119  | 18 |
| 227  | 22763       | 119  | 20 |

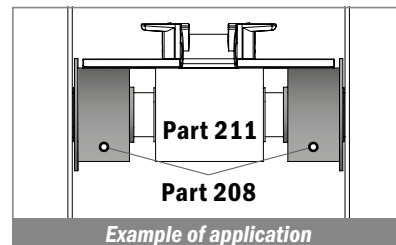


## 208 Rullini di ritorno flangiati D=42.5 mm Return roller with flange D=42.5 mm / Rückführrolle mit Seitenscheibe D=42.5 mm

Delivery: **Easy** **Standard**

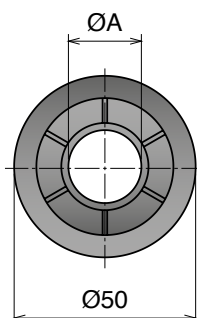
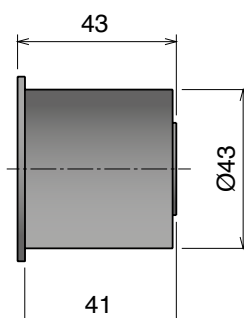


| Part | Article-Nr. | ØA |
|------|-------------|----|
| 208  | 20801       | 16 |
| 208  | 20802       | 18 |
| 208  | 20803       | 20 |

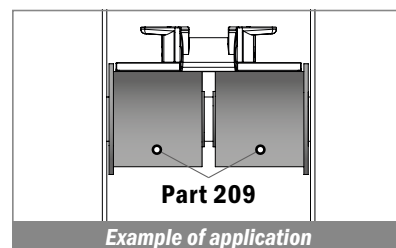


## 209 Rullini di ritorno flangiati D=43 mm Return roller with flange D=43 mm / Rückführrolle mit Seitenscheibe D=43 mm

Delivery: **Easy** **Standard**

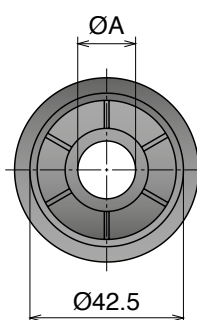
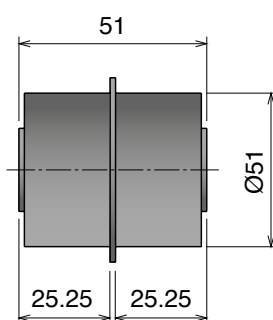


| Part | Article-Nr. | ØA |
|------|-------------|----|
| 209  | 20901       | 16 |
| 209  | 20902       | 18 |
| 209  | 20903       | 20 |

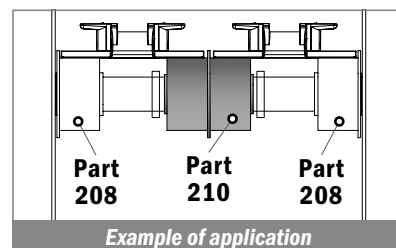


## 210 Rullini doppio di ritorno Double return roller / Doppel- Rücklaufrolle

Delivery: **Easy** **Standard**

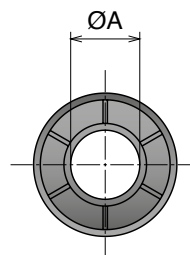
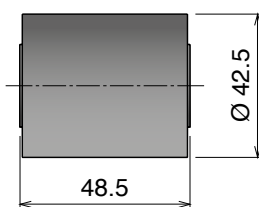


| Part | Article-Nr. | ØA |
|------|-------------|----|
| 210  | 21001       | 16 |
| 210  | 21002       | 18 |
| 210  | 21003       | 20 |

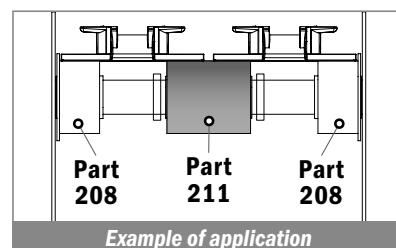


## 211 Rullini di ritorno D=42.5 mm Return roller D=42.5 mm / Rückführrolle D=42.5 mm

Delivery: **Easy** **Standard**



| Part | Article-Nr. | ØA |
|------|-------------|----|
| 211  | 21101       | 16 |
| 211  | 21102       | 18 |
| 211  | 21103       | 20 |



**Materiale / Material / Materialien:**

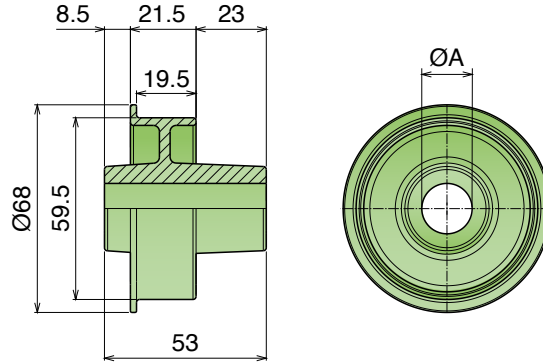
Part. 232: Polietilene (PE) / Polyethylene (PE) / Polyäthylen (PE)

Part. 236/237: Poliammide/Polyamide/Polyamid

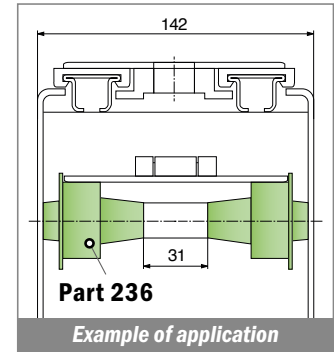
+Gomma NBR/ NBR Rubber/ NBR Gummi

## 232 Rullini di ritorno flangiati Ø68 Return roller with flange Ø68 / Rückführrolle mit Seitenscheibe Ø68

Delivery: **Easy** **Standard** Max recommended tightening torque: 0,3 N mt

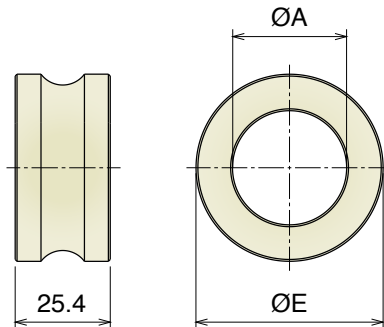


| Part | Article-Nr. | ØA |
|------|-------------|----|
| 232  | 23201       | 15 |
| 232  | 23202       | 16 |
| 232  | 23203       | 18 |
| 232  | 23204       | 20 |

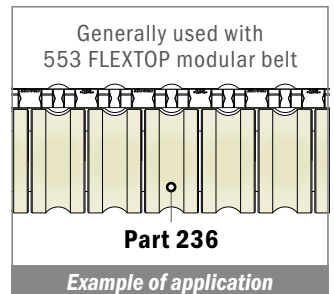


## NEW 236 Rullini di ritorno con scanalatura Return roller with groove / Rückführrolle mit Nut

Delivery: **Easy** **Standard**

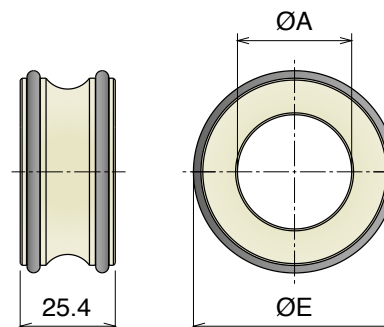


| Part | Article-Nr. | ØE | ØA |
|------|-------------|----|----|
| 236  | 23601       | 50 | 25 |
| 236  | 23602       | 50 | 30 |
| 236  | 23603       | 60 | 25 |
| 236  | 23604       | 60 | 30 |
| 236  | 23605       | 70 | 25 |
| 236  | 23606       | 70 | 30 |

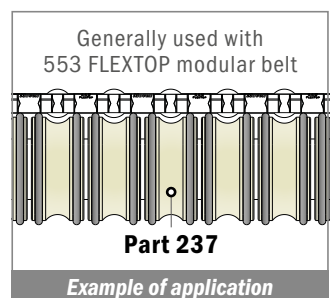


## NEW 237 Rullini di ritorno con scanalatura e O-ring Return roller with groove and O-ring / Rückführrolle mit Nut und O-ring

Delivery: **Easy** **Standard**

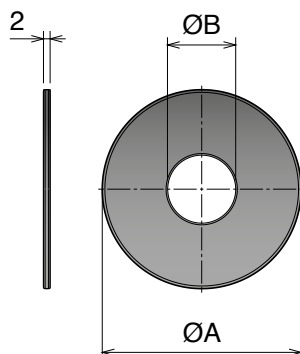


| Part | Article-Nr. | ØE | ØA |
|------|-------------|----|----|
| 237  | 23701       | 53 | 25 |
| 237  | 23702       | 53 | 30 |
| 237  | 23703       | 63 | 25 |
| 237  | 23704       | 63 | 30 |
| 237  | 23705       | 73 | 25 |
| 237  | 23706       | 73 | 30 |



## 207 Flangia Flange / Seitenscheibe

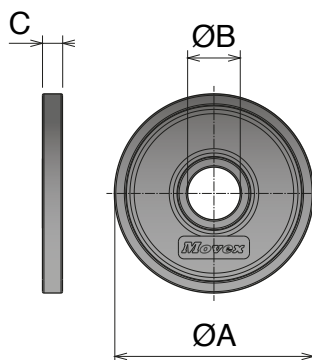
Delivery: **Easy** **Standard**



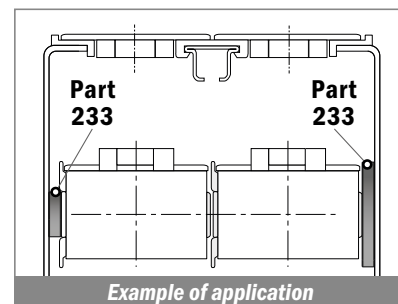
| Part | Article-Nr. | ØA | ØB |
|------|-------------|----|----|
| 207  | 20719       | 50 | 12 |
| 207  | 20712       | 50 | 16 |
| 207  | 20713       | 50 | 18 |
| 207  | 20714       | 50 | 20 |
| 207  | 20720       | 60 | 12 |
| 207  | 20701       | 60 | 16 |
| 207  | 20702       | 60 | 18 |
| 207  | 20703       | 60 | 20 |
| 207  | 20721       | 70 | 12 |
| 207  | 20704       | 70 | 16 |
| 207  | 20705       | 70 | 18 |
| 207  | 20706       | 70 | 20 |
| 207  | 20722       | 80 | 12 |
| 207  | 20707       | 80 | 16 |
| 207  | 20708       | 80 | 18 |
| 207  | 20709       | 80 | 20 |

## 233 Flangia Flange / Seitenscheib

Delivery: **Easy** **Standard**

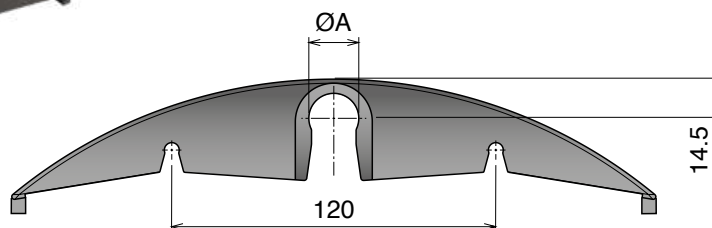


| Part | Article-Nr. | ØA   | ØB | C    |
|------|-------------|------|----|------|
| 233  | 23303       | 25,5 | 20 | 7,25 |
| 233  | 23304       | 60   | 20 | 7,25 |
| 233  | 23305       | 70   | 16 | 7    |
| 233  | 23307       | 70   | 20 | 7    |
| 233  | 23302       | 90   | 20 | 5    |

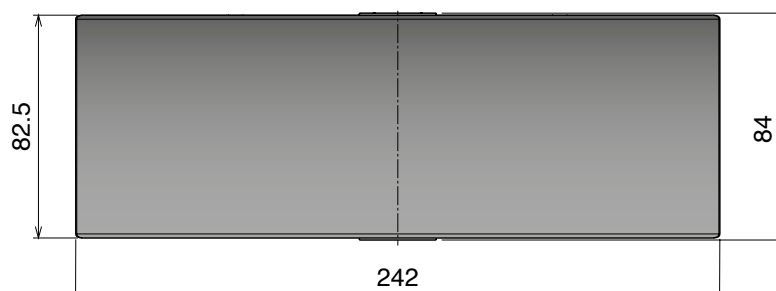
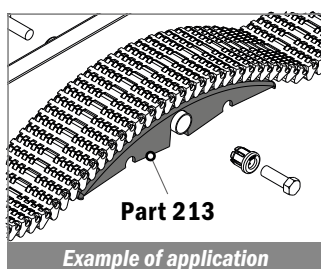


## 213 Pattino oscillante innesto rapido Snap-on sliding shoe / Rücklaufschuh, aufsteckbar

Delivery: **Easy** **Standard**



| Part | Article-Nr. | ØA |
|------|-------------|----|
| 213  | 21301       | 16 |
| 213  | 21302       | 18 |
| 213  | 21303       | 20 |



**Materiale / Material / Materialien:**

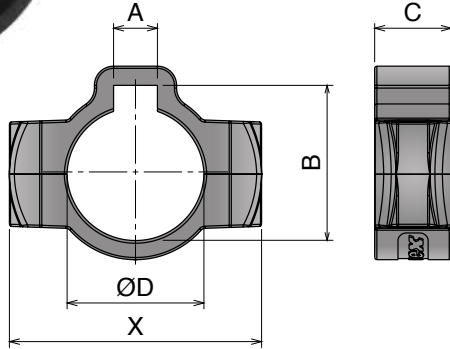
Morsetti: Poliammide/Clamps: Polyamide/Klemme: Polyamid

Viti: Acciaio inox/Screws: Stainless steel/Schraube: Edelstahl

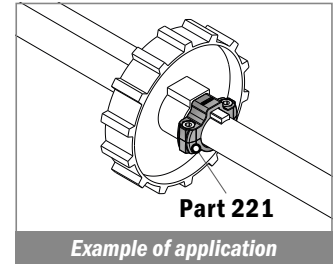
Dadi: Ottone nichelato/Nuts: Nickel plated brass/Mutter: Messing vernickelt

## 221 Collare di riferimento con chiave Split collar with keyway / geteilter Stelling mit Nut

Delivery: **Easy** **Standard** Max recommended tightening torque: 0,3 N mt

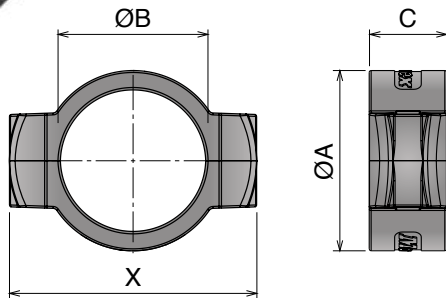


| Part | Article-Nr. | A      | B    | C  | ØD    | X  |
|------|-------------|--------|------|----|-------|----|
| 221  | 22101       | 8      | 28,3 | 14 | 25    | 46 |
| 221  | 22102       | 8      | 33,3 | 16 | 30    | 51 |
| 221  | 22103       | 10     | 38,3 | 16 | 35    | 57 |
| 221  | 22104       | 12     | 43,3 | 18 | 40    | 64 |
| 221  | 22101Y      | 6,85   | 28,3 | 14 | 1"    | 46 |
| 221  | 22102Y      | 6,85   | 34,7 | 16 | 1,25" | 52 |
| 221  | 22104Y      | 10,025 | 42,4 | 18 | 1,5"  | 64 |



## 215 Collare di riferimento Split collar / geteilter Stelling

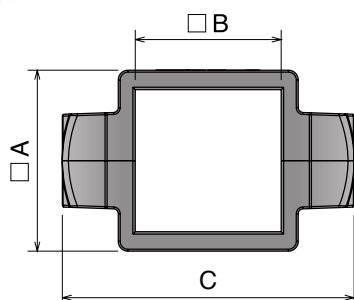
Delivery: **Easy** **Standard** Max recommended tightening torque: 0,3 N mt



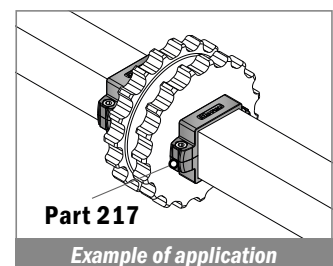
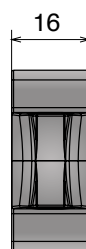
| Part | Article-Nr. | ØA | ØB    | C  | X    |
|------|-------------|----|-------|----|------|
| 215  | 21501       | 20 | 12    | 12 | 29,5 |
| 215  | 21502       | 22 | 14    | 12 | 31,5 |
| 215  | 21509       | 24 | 16    | 12 | 37   |
| 215  | 21503       | 26 | 18    | 14 | 42   |
| 215  | 21504       | 28 | 20    | 14 | 42   |
| 215  | 21505       | 32 | 25    | 14 | 46   |
| 215  | 21506       | 38 | 30    | 16 | 51   |
| 215  | 21507       | 43 | 35    | 16 | 57   |
| 215  | 21508       | 48 | 40    | 16 | 64   |
| 215  | 21501Y      | 20 | 0,5"  | 12 | 29,5 |
| 215  | 21503Y      | 26 | 0,75" | 14 | 42   |
| 215  | 21505Y      | 32 | 1"    | 14 | 46   |
| 215  | 21506Y      | 38 | 1,25" | 16 | 52   |
| 215  | 21508Y      | 48 | 1,5"  | 18 | 64   |

## 217 Collare di riferimento Split collar / geteilter Stelling

Delivery: **Easy** **Standard** Max recommended tightening torque: 0,3 N mt



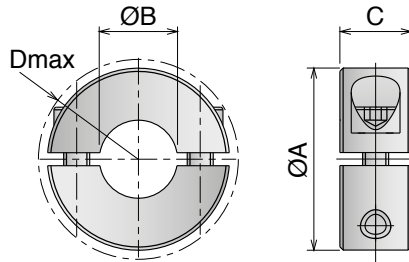
| Part | Article-Nr. | □A | □B | C  |
|------|-------------|----|----|----|
| 217  | 21701       | 33 | 25 | 55 |
| 217  | 21702       | 37 | 30 | 60 |
| 217  | 21703       | 47 | 40 | 70 |
| 217  | 21704       | 59 | 50 | 81 |
| 217  | 21705       | 69 | 60 | 92 |



## NEW 218 Collare di riferimento in acciaio Stainless steel split collar / Geteilter Stelling, Edelstahl

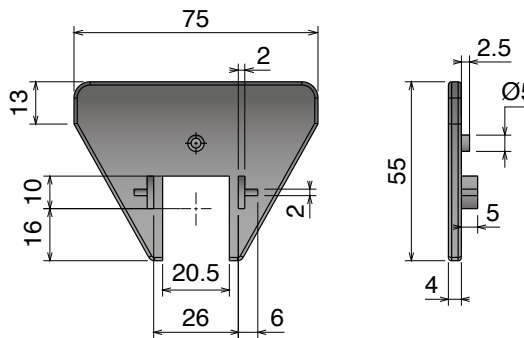
Stainless Steel | AISI 304

Delivery: **Easy** Standard

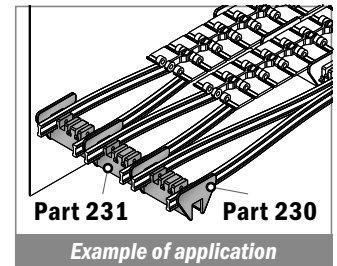


| Part | Article-Nr. | ØA     | ØB     | C     | Dmax |
|------|-------------|--------|--------|-------|------|
| 218  | 21801       | 18     | 8      | 9     | 22,4 |
| 218  | 21802       | 24     | 10     | 9     | 26   |
| 218  | 21803       | 28     | 12     | 11    | 31,8 |
| 218  | 21804       | 34     | 16     | 13    | 39,4 |
| 218  | 21805       | 36     | 18     | 13    | 41,1 |
| 218  | 21806       | 40     | 20     | 15    | 46,4 |
| 218  | 21807       | 45     | 25     | 15    | 50,8 |
| 218  | 21808       | 54     | 30     | 15    | 58,6 |
| 218  | 21809       | 58     | 35     | 15    | 62   |
| 218  | 21810       | 60     | 40     | 15    | 65   |
| 218  | 21801Y      | 11/16  | 5/16   | 5/16  | 0.88 |
| 218  | 21802Y      | 7/8    | 3/8    | 11/32 | 1.02 |
| 218  | 21803Y      | 15/16  | 7/16   | 3/8   | 1.25 |
| 218  | 21804Y      | 1-1/8  | 1/2    | 13/32 | 1.25 |
| 218  | 21805Y      | 1-5/16 | 5/8    | 7/16  | 1.55 |
| 218  | 21806Y      | 1-1/2  | 3/4    | 1/2   | 1.83 |
| 218  | 21807Y      | 1-3/4  | 1      | 1/2   | 2.00 |
| 218  | 21808Y      | 2-1/16 | 1-1/4  | 1/2   | 2.31 |
| 218  | 21809Y      | 2-1/4  | 1-7/16 | 9/16  | 2.44 |
| 218  | 21810Y      | 2-3/8  | 1-1/2  | 9/16  | 2.56 |

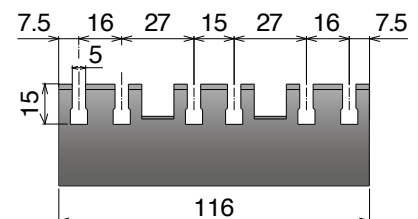
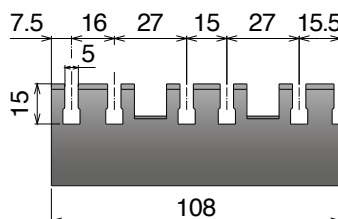
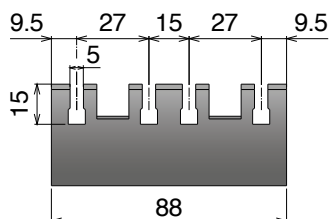
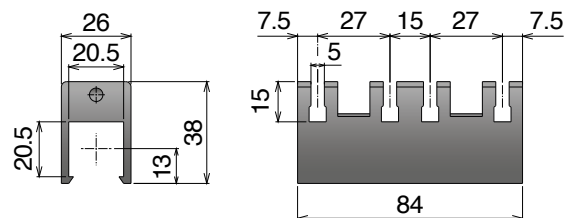
## 230 Piastrina Spacer / Führungsscheiben



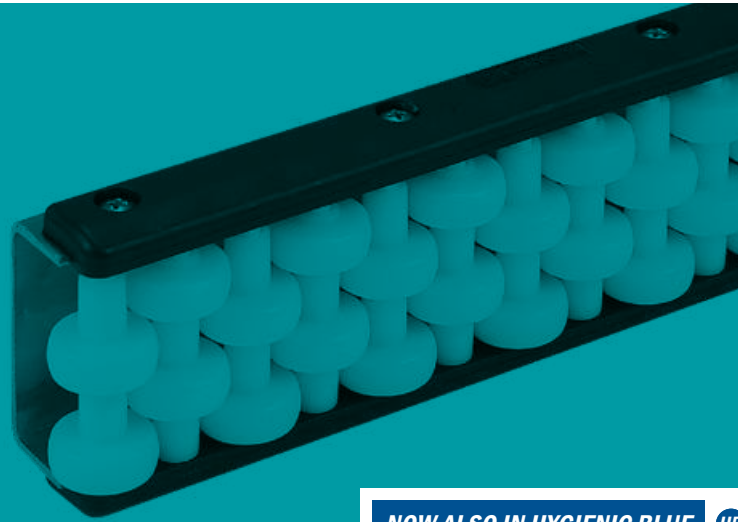
| Part | Article-Nr. |
|------|-------------|
| 230  | 23001       |



## 231 Distanziale per serpentina Spacer for serpentine / Montageblock













| Part | Article-Nr. | W   |
|------|-------------|-----|
| 231  | 23101       | 84  |
| 231  | 23102       | 88  |
| 231  | 23103       | 108 |
| 231  | 23104       | 116 |

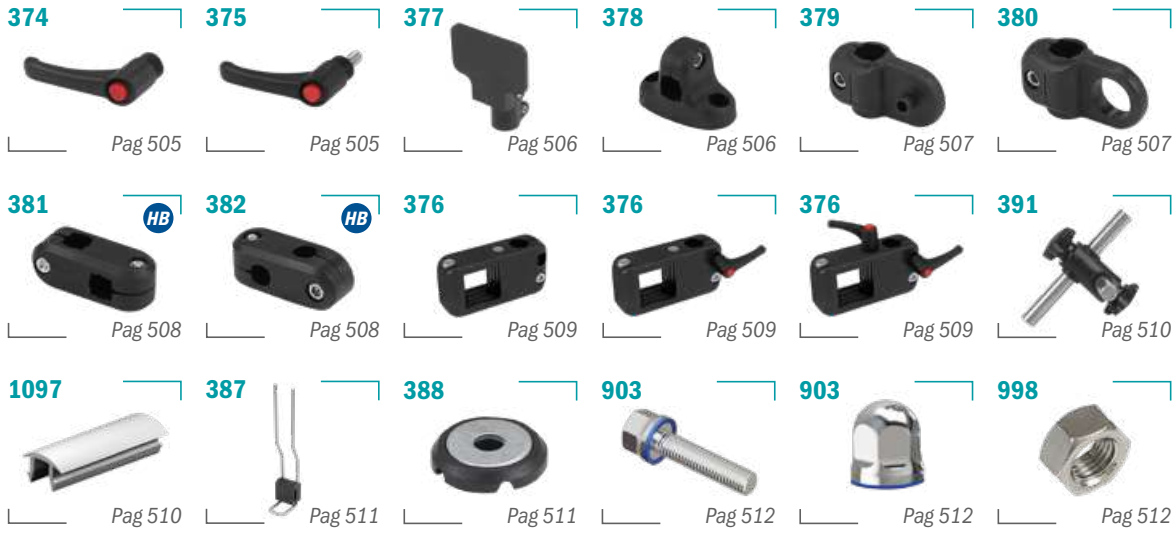


NOW ALSO IN HYGIENIC BLUE 

|  |  |   |  |  |  |
|--|--|---|--|--|--|
| <b>301</b><br><br>Pag 450   | <b>302</b> <br><br>Pag 450     | <b>305</b><br><br>Pag 451  | <b>306</b><br><br>Pag 451   | <b>307</b><br><br>Pag 452   | <b>308</b><br><br>Pag 452   |
| <b>309</b><br><br>Pag 453  | <b>310</b><br><br>Pag 453  | <b>311</b><br><br>Pag 454   | <b>312</b><br><br>Pag 454  | <b>321</b> <br><br>Pag 455    | <b>322</b><br><br>Pag 455  |
| <b>323</b><br><br>Pag 455   | <b>398</b> <br><br>Pag 456 | <b>398</b> <br><br>Pag 456  | <b>398</b><br><br>Pag 457   | <b>398</b><br><br>Pag 458   | <b>398</b><br><br>Pag 459   |
| <b>398</b><br><br>Pag 460   | <b>398</b><br><br>Pag 461   | <b>398</b><br><br>Pag 462  | <b>398</b><br><br>Pag 463   | <b>313</b> <br><br>Pag 464 | <b>314</b> <br><br>Pag 464 |
| <b>315</b><br><br>Pag 465   | <b>316</b><br><br>Pag 465   | <b>317</b> <br><br>Pag 466  | <b>317</b> <br><br>Pag 466 | <b>318</b><br><br>Pag 467   | <b>319</b><br><br>Pag 467   |
| <b>3001</b><br><br>Pag 467  | <b>317</b><br><br>Pag 468   | <b>320</b><br><br>Pag 468  | <b>3007</b><br><br>Pag 468  | <b>3008</b><br><br>Pag 469  | <b>3002</b><br><br>Pag 469  |
| <b>324</b> <br><br>Pag 470 | <b>325</b> <br><br>Pag 470 | <b>3009</b> <br><br>Pag 470 | <b>326</b> <br><br>Pag 471 | <b>3013</b><br><br>Pag 471  | <b>3010</b><br><br>Pag 471  |
| <b>327</b><br><br>Pag 472   | <b>3012</b><br><br>Pag 472  | <b>337</b> <br><br>Pag 473  | <b>338</b> <br><br>Pag 473 | <b>339</b> <br><br>Pag 473 | <b>328</b><br><br>Pag 474   |

|  |  |  |  |  |  |
|--|--|--|--|--|--|
| <b>329</b><br><br>Pag 474       | <b>330</b><br><br>Pag 474           | <b>390</b><br><br>Pag 474               | <b>392</b><br><br>Pag 475    | <b>393</b><br><br>Pag 475       | <b>336</b><br><br>Pag 475             |
| <b>394</b><br><br>Pag 476       | <b>341</b> <b>HB</b><br><br>Pag 476 | <b>341</b> <b>HB</b><br><br>Pag 476     | <b>3310</b><br><br>Pag 477   | <b>3311</b><br><br>Pag 477      | <b>345</b><br><br>Pag 477             |
| <b>349</b><br><br>Pag 478       | <b>350</b><br><br>Pag 478           | <b>351</b><br><br>Pag 478               | <b>3004</b><br><br>Pag 479   | <b>352</b><br><br>Pag 479       | <b>3005</b><br><br>Pag 479            |
| <b>347</b><br><br>Pag 480       | <b>348</b><br><br>Pag 480           | <b>346</b><br><br>Pag 480               | <b>356</b><br><br>Pag 481    | <b>357</b><br><br>Pag 481       | <b>3011</b> <b>HB</b><br><br>Pag 481  |
| <b>335</b><br><br>Pag 482      | <b>358</b><br><br>Pag 483          | <b>364</b><br><br>Pag 483               | <b>359</b><br><br>Pag 484   | <b>365</b><br><br>Pag 484       | <b>360</b><br><br>Pag 485            |
| <b>360</b><br><br>Pag 486     | <b>366</b><br><br>Pag 485/486     | <b>361</b><br><br>Pag 487             | <b>361</b><br><br>Pag 488  | <b>367</b><br><br>Pag 487/488 | <b>364-365</b><br><br>Pag 489       |
| <b>366-367</b><br><br>Pag 490 | <b>366</b><br><br>Pag 491         | <b>367</b><br><br>Pag 491             | <b>364</b><br><br>Pag 492  | <b>365</b><br><br>Pag 492     | <b>395</b><br><br>Pag 493           |
| <b>362</b><br><br>Pag 493     | <b>333</b><br><br>Pag 493         | <b>358/359/360/361</b><br><br>Pag 493 | <b>3014</b><br><br>Pag 493 | <b>353</b><br><br>Pag 494     | <b>354</b><br><br>Pag 494           |
| <b>355</b><br><br>Pag 494     | <b>363</b><br><br>Pag 495         | <b>396</b><br><br>Pag 496             | <b>363</b><br><br>Pag 497  | <b>36399</b><br><br>Pag 497   | <b>199/299</b><br><br>Pag 498       |
| <b>368</b><br><br>Pag 499     | <b>369</b><br><br>Pag 499         | <b>370</b><br><br>Pag 500             | <b>371</b><br><br>Pag 500  | <b>342</b><br><br>Pag 501     | <b>372</b> <b>HB</b><br><br>Pag 502 |
| <b>373</b><br><br>Pag 502     | <b>383</b><br><br>Pag 502         | <b>384</b><br><br>Pag 503             | <b>386</b><br><br>Pag 503  | <b>3003</b><br><br>Pag 504    | <b>397</b><br><br>Pag 504           |





# Conveyor components

**Materiale / Material / Materialien:**

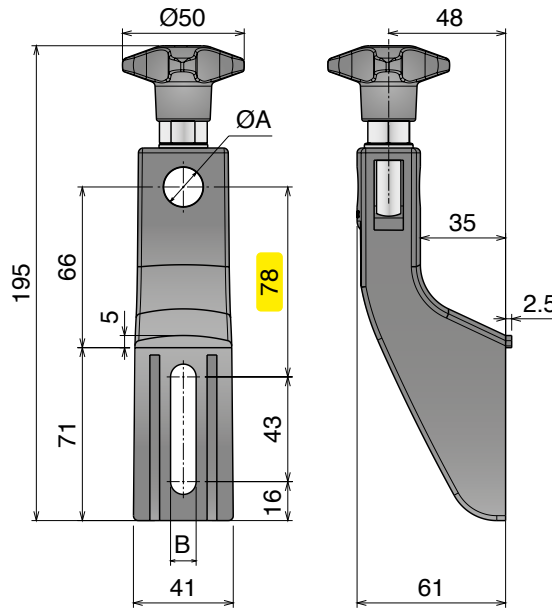
Supporto: PA / Support: PA / Halter: PA

Volantino: PA+ottone nichelato / Knob: PA+nickel plated brass / Sterngriff: PA+ Messing vernickelt

Tirante: Acciaio inox / Eyebolt: Stainless steel / Augenschraube: Edelstahl

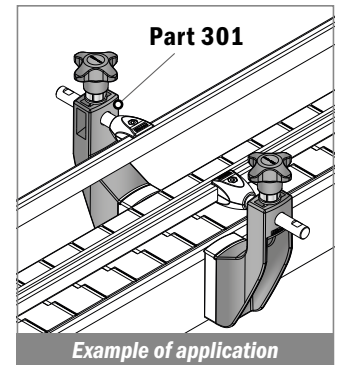
## 301 Supporto laterale - piccolo - Side bracket - small - / Geländerhalter - klein -

Delivery: **Easy** Standard



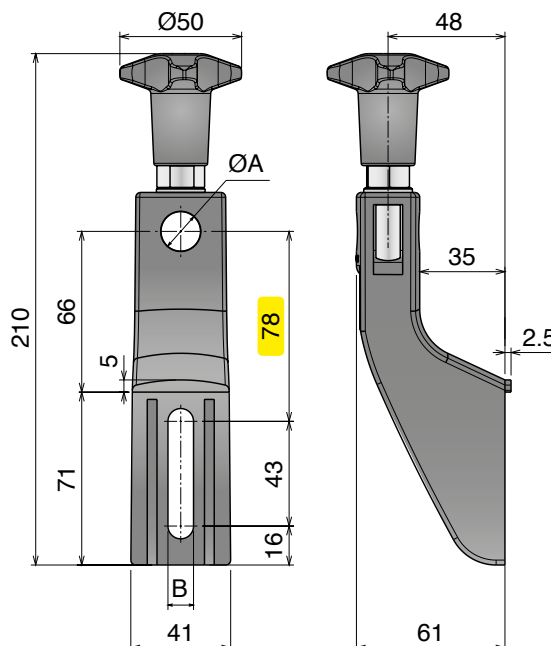
**NOW ALSO IN HYGIENIC BLUE**

| Part | Article-Nr. | ØA | B    | Colour        |
|------|-------------|----|------|---------------|
| 301  | 30101       | 12 | 9    | Black         |
| 301  | 30105       | 14 | 9    | Black         |
| 301  | 30102       | 16 | 9    | Black         |
| 301  | 30103       | 12 | 10,5 | Black         |
| 301  | 30106       | 14 | 10,5 | Black         |
| 301  | 30104       | 16 | 10,5 | Black         |
| 301  | 30151       | 12 | 9    | Hygienic blue |
| 301  | 30155       | 14 | 9    | Hygienic blue |
| 301  | 30152       | 16 | 9    | Hygienic blue |
| 301  | 30153       | 12 | 10,5 | Hygienic blue |
| 301  | 30156       | 14 | 10,5 | Hygienic blue |
| 301  | 30154       | 16 | 10,5 | Hygienic blue |



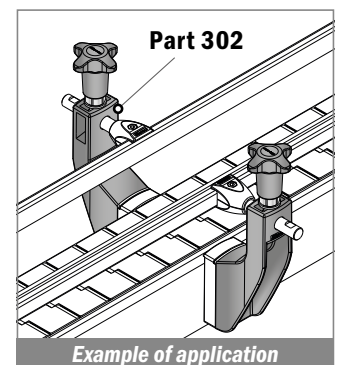
## 302 Supporto laterale - piccolo - volantino alto Side bracket - small - high knob / Geländerhalter - klein - hoher Sterngriff

Delivery: **Easy** Standard



**NOW ALSO IN HYGIENIC BLUE**

| Part | Article-Nr. | ØA | B    | Colour        |
|------|-------------|----|------|---------------|
| 302  | 30201       | 12 | 9    | Black         |
| 302  | 30205       | 14 | 9    | Black         |
| 302  | 30202       | 16 | 9    | Black         |
| 302  | 30203       | 12 | 10,5 | Black         |
| 302  | 30206       | 14 | 10,5 | Black         |
| 302  | 30204       | 16 | 10,5 | Black         |
| 302  | 30251       | 12 | 9    | Hygienic blue |
| 302  | 30255       | 14 | 9    | Hygienic blue |
| 302  | 30252       | 16 | 9    | Hygienic blue |
| 302  | 30253       | 12 | 10,5 | Hygienic blue |
| 302  | 30256       | 14 | 10,5 | Hygienic blue |
| 302  | 30254       | 16 | 10,5 | Hygienic blue |



**Materiale / Material / Materialien:**

Supporto: PA / Support: PA / Halter: PA

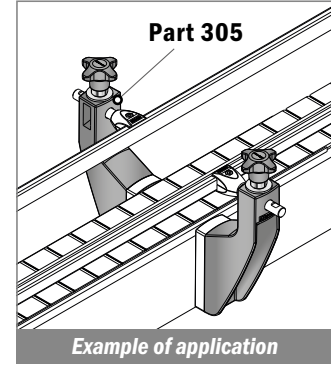
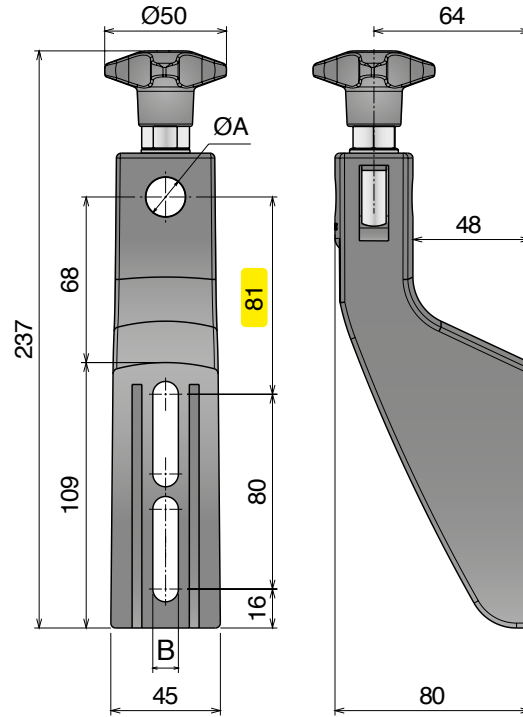
Volantino: PA+ottone nichelato / Knob: PA+nickel plated brass / Sterngriff: PA+ Messing vernickelt

Tirante: Acciaio inox / Eyebolt: Stainless steel / Augenschraube: Edelstahl

## 305 Supporto laterale -medio- Side bracket -medium- / Geländerhalter -medium-

Delivery: **Easy** Standard

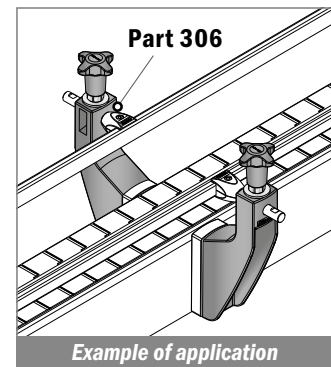
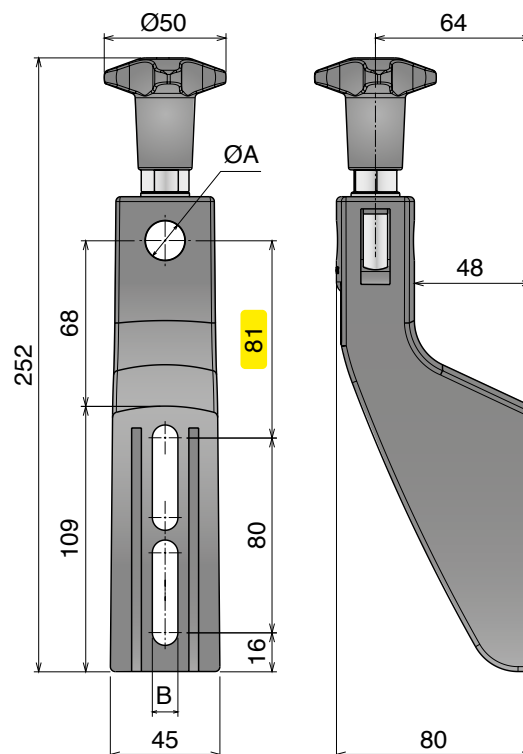
| Part | Article-Nr. | ØA | B    |
|------|-------------|----|------|
| 305  | 30501       | 12 | 9    |
| 305  | 30505       | 14 | 9    |
| 305  | 30502       | 16 | 9    |
| 305  | 30503       | 12 | 10,5 |
| 305  | 30506       | 14 | 10,5 |
| 305  | 30504       | 16 | 10,5 |



## 306 Supporto laterale -medio- volantino alto Side bracket -medium- high knob / Geländerhalter -medium- hoher Sterngriff

Delivery: **Easy** Standard

| Part | Article-Nr. | ØA | B    |
|------|-------------|----|------|
| 306  | 30601       | 12 | 9    |
| 306  | 30605       | 14 | 9    |
| 306  | 30602       | 16 | 9    |
| 306  | 30603       | 12 | 10,5 |
| 306  | 30606       | 14 | 10,5 |
| 306  | 30604       | 16 | 10,5 |



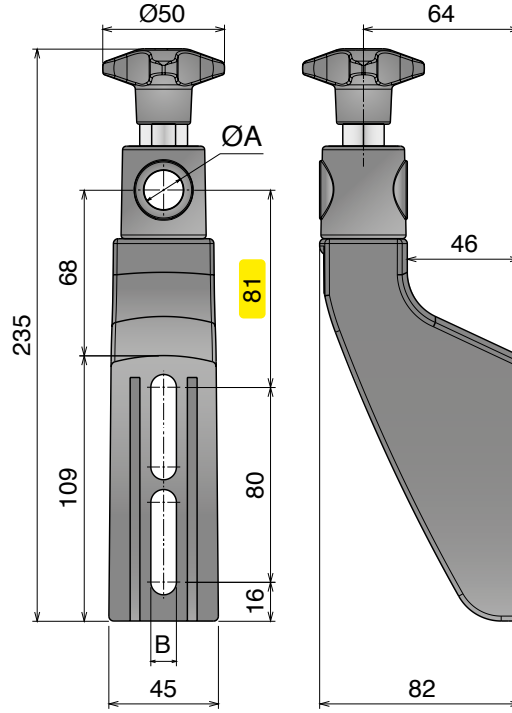
# 307-308

Componenti / Conveyor components / Komponenten

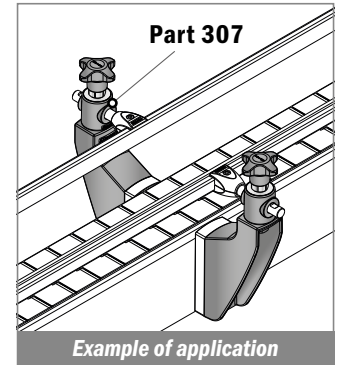
**Materiale / Material / Materialien:** Supporto: PA/Support: PA/Halter: PA  
 Volantino: PA+ottone nichelato/Knob: PA+nickel plated brass/Sterngriff: PA+ Messing vernickelt  
 Tirante: Acciaio inox/Eyebolt: Stainless steel/Augenschraube: Edelstahl  
 Testina: PA o Acciaio inox/Head: PA or stainless steel/Schwenkkopf: PA oder Edelstahl  
 Vite, rondella e dado: Acciaio inox/Screw, washer and nut: Stainless steel/Schraube, Unterlegs und Mutter: Edelstahl

## 307 Supporto laterale -medio- orientabile Side bracket -medium- adjustable / Geländerhalter -medium- einstellbar

Delivery: **Easy** Standard

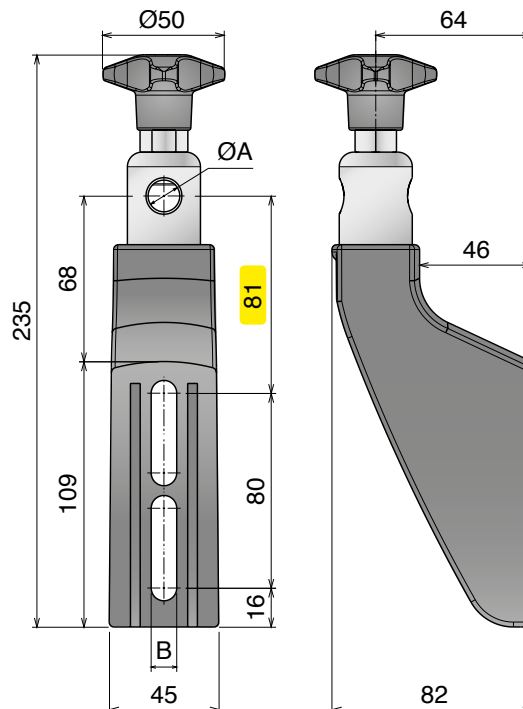


| Part | Article-Nr. | ØA      | B    |
|------|-------------|---------|------|
| 307  | 30701       | 12      | 9    |
| 307  | 30705       | 14      | 9    |
| 307  | 30702       | 16      | 9    |
| 307  | 30703       | 12      | 10,5 |
| 307  | 30706       | 14      | 10,5 |
| 307  | 30704       | 16      | 10,5 |
| 307  | 30709       | bracket | 9    |
| 307  | 30710       | bracket | 10,5 |

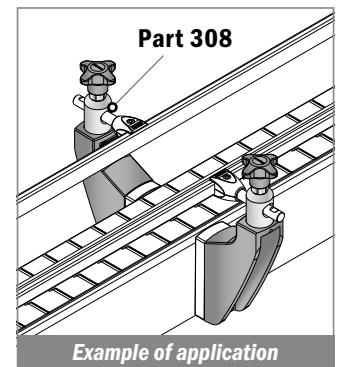


## 308 Supporto laterale -medio- orientabile Acciaio inox Side bracket -medium- adjustable stainless steel / Geländerhalter -medium- einstellbar edelstahl

Delivery: **Easy** Standard



| Part | Article-Nr. | ØA | B    |
|------|-------------|----|------|
| 308  | 30801       | 12 | 9    |
| 308  | 30805       | 14 | 9    |
| 308  | 30802       | 16 | 9    |
| 308  | 30803       | 12 | 10,5 |
| 308  | 30806       | 14 | 10,5 |
| 308  | 30804       | 16 | 10,5 |



**Materiale / Material / Materialien:**

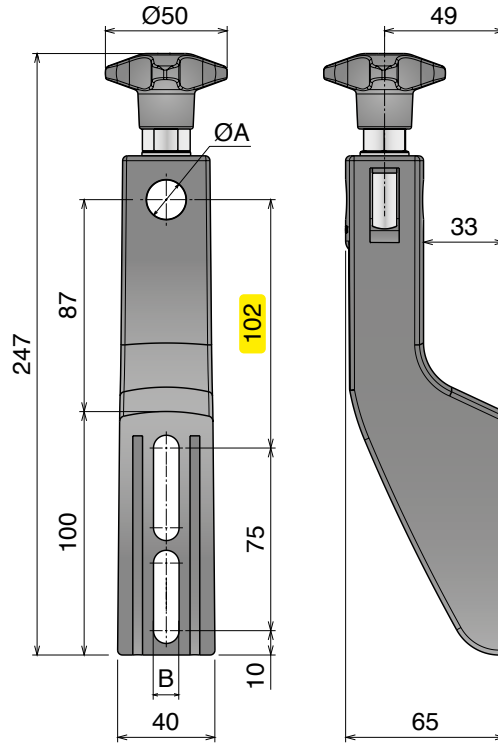
Supporto: PA / Support: PA / Halter: PA

Volantino: PA+ottone nichelato / Knob: PA+nickel plated brass / Sterngriff: PA+ Messing vernickelt

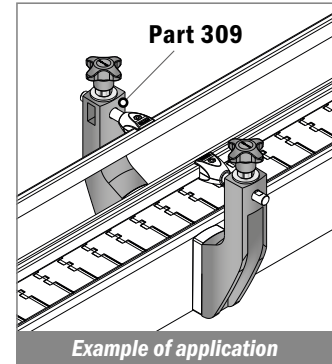
Tirante: Acciaio inox / Eyebolt: Stainless steel / Augenschraube: Edelstahl

## 309 Supporto laterale -grande- Side bracket -large- / Geländerhalter -groß-

Delivery: **Easy** Standard

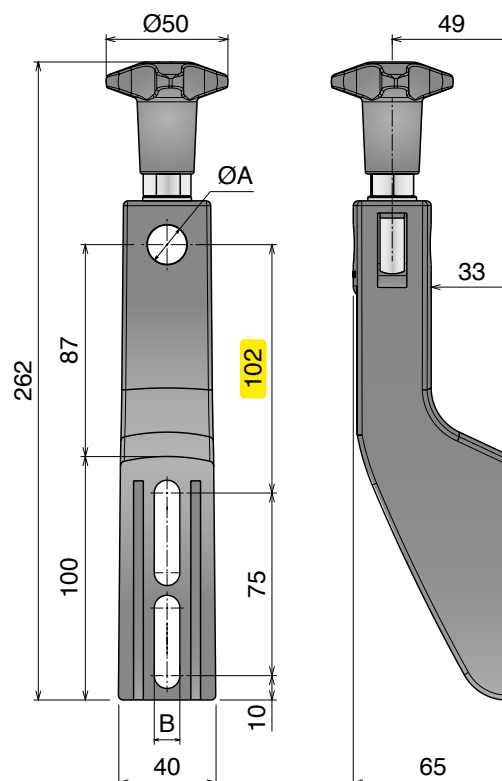


| Part | Article-Nr. | ØA | B    |
|------|-------------|----|------|
| 309  | 30901       | 12 | 9    |
| 309  | 30905       | 14 | 9    |
| 309  | 30902       | 16 | 9    |
| 309  | 30903       | 12 | 10,5 |
| 309  | 30906       | 14 | 10,5 |
| 309  | 30904       | 16 | 10,5 |

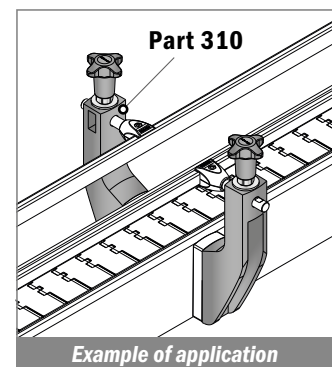


## 310 Supporto laterale -grande- volantino alto Side bracket -large- high knob / Geländerhalter -groß- hoher sterngriff

Delivery: **Easy** Standard



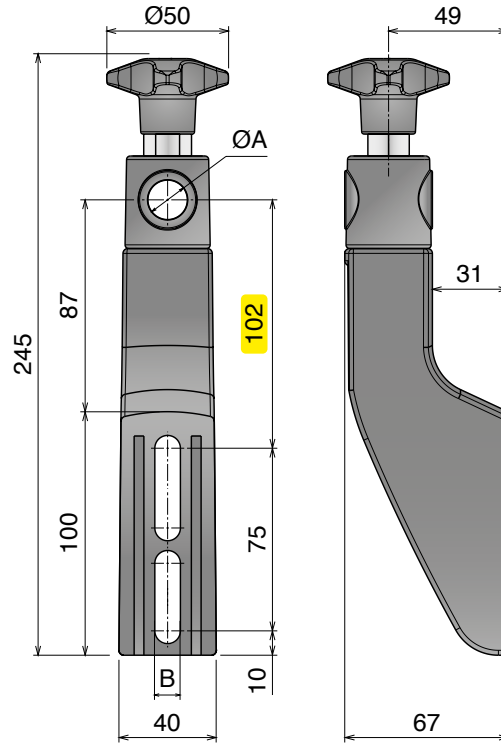
| Part | Article-Nr. | ØA | B    |
|------|-------------|----|------|
| 310  | 31001       | 12 | 9    |
| 310  | 31005       | 14 | 9    |
| 310  | 31002       | 16 | 9    |
| 310  | 31003       | 12 | 10,5 |
| 310  | 31006       | 14 | 10,5 |
| 310  | 31004       | 16 | 10,5 |



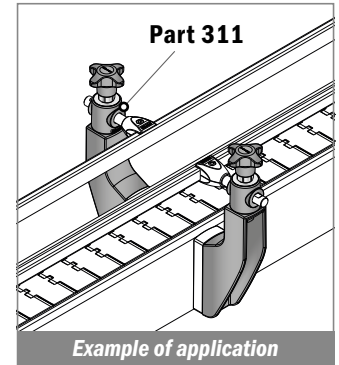
**Materiale / Material / Materialien:** Supporto: PA/Support: PA/Halter: PA  
 Volantino: PA+ottone nichelato/Knob: PA+nickel plated brass/Sterngriff: PA+ Messing vernickelt  
 Tirante: Acciaio inox/Eyebolt: Stainless steel/Augenschraube: Edelstahl  
 Testina: PA o Acciaio inox/Head: PA or stainless steel/Schwenkkopf: PA oder Edelstahl  
 Vite, rondella e dado: Acciaio inox/Screw, washer and nut: Stainless steel/Schraube, Unterlegs und Mutter: Edelstahl

## 311 Supporto laterale -grande- orientabile Side bracket -large- adjustable / Geländerhalter -groß- einstellbar

Delivery: **Easy** Standard

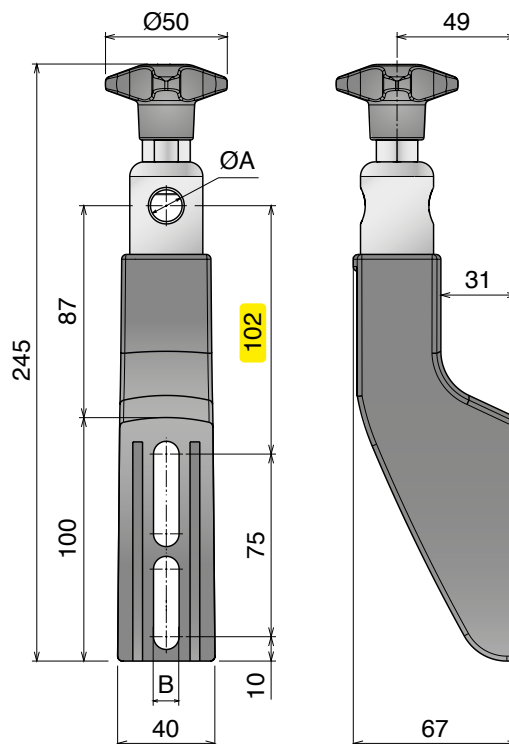


| Part | Article-Nr. | ØA      | B    |
|------|-------------|---------|------|
| 311  | 31101       | 12      | 9    |
| 311  | 31105       | 14      | 9    |
| 311  | 31102       | 16      | 9    |
| 311  | 31103       | 12      | 10,5 |
| 311  | 31106       | 14      | 10,5 |
| 311  | 31104       | 16      | 10,5 |
| 311  | 31109       | bracket | 9    |
| 311  | 31110       | bracket | 10,5 |

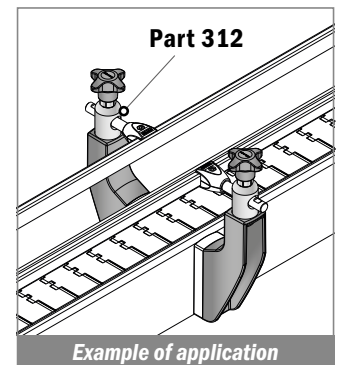


## 312 Supporto laterale -grande- orientabile Acciaio inox Side bracket -large- adjustable stainless steel / Geländerhalter -groß- einstellbar edelstahl

Delivery: **Easy** Standard



| Part | Article-Nr. | ØA | B    |
|------|-------------|----|------|
| 312  | 31201       | 12 | 9    |
| 312  | 31205       | 14 | 9    |
| 312  | 31202       | 16 | 9    |
| 312  | 31203       | 12 | 10,5 |
| 312  | 31206       | 14 | 10,5 |
| 312  | 31204       | 16 | 10,5 |

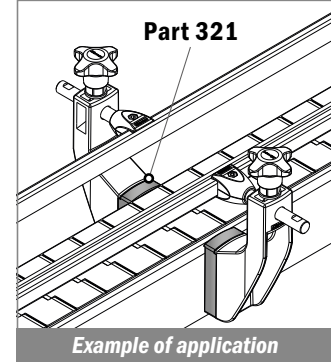
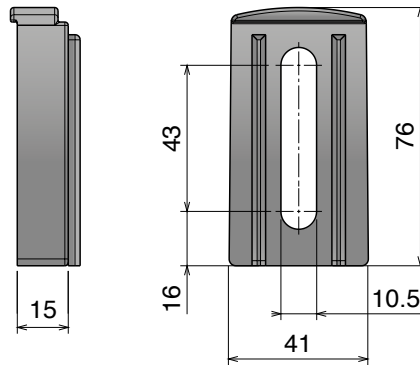


**321** Distanziale per supporto -piccolo  
Spacer for bracket -small / Distanzstück für Geländerhalter -klein

NOW ALSO IN HYGIENIC BLUE

Delivery: **Easy** **Standard** Used with bracket Part. 301-302 Pag 450

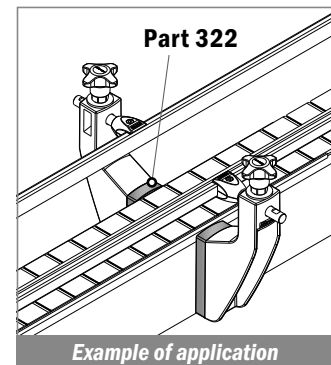
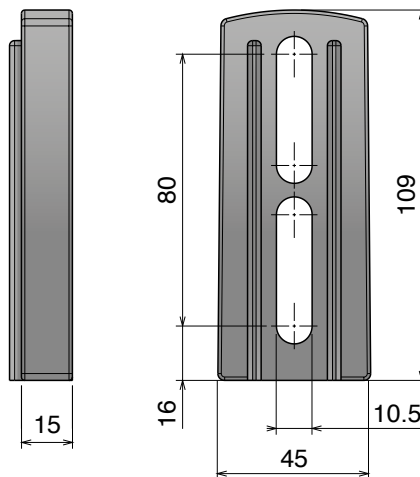
| Part | Article-Nr. | Colour        |
|------|-------------|---------------|
| 321  | 32101       | Black         |
| 321  | 32151       | Hygienic blue |



**322** Distanziale per supporto -medio  
Spacer for bracket -medium / Distanzstück für Geländerhalter -medium

Delivery: **Easy** **Standard** Used with bracket Part. 305-306-307-308 Pag 451-452

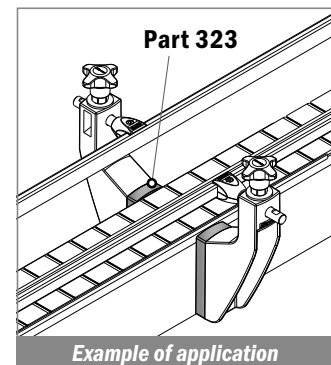
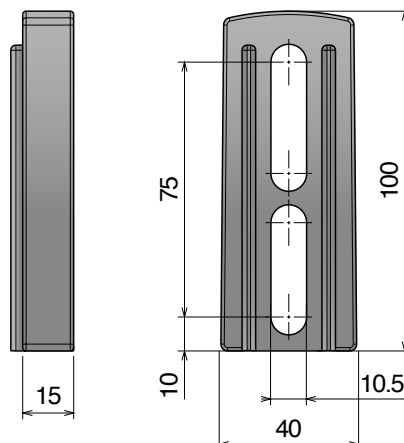
| Part | Article-Nr. | Colour |
|------|-------------|--------|
| 322  | 32201       | Black  |



**323** Distanziale per supporto -grande  
Spacer for bracket -large / Distanzstück für Geländerhalter -groß

Delivery: **Easy** **Standard** Used with bracket Part. 309-310-311-312 Pag 453-454

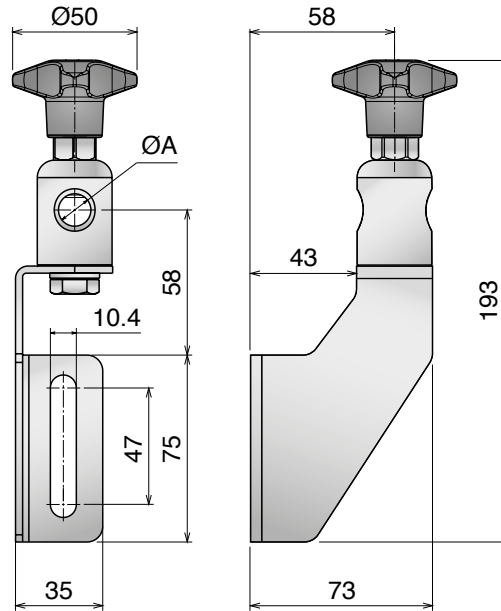
| Part | Article-Nr. | Colour |
|------|-------------|--------|
| 322  | 32301       | Black  |



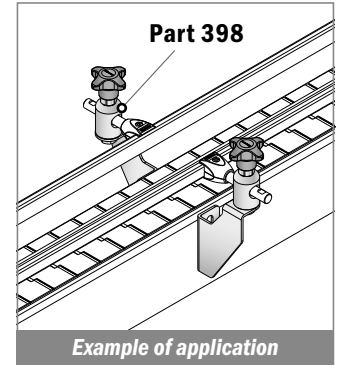
## 398 Supporto laterale inox -medio- orientabile SS bracket -medium- adjustable / Edelstahl Geländerhalter -medium- einstellbar

**NOW ALSO IN HYGIENIC BLUE**

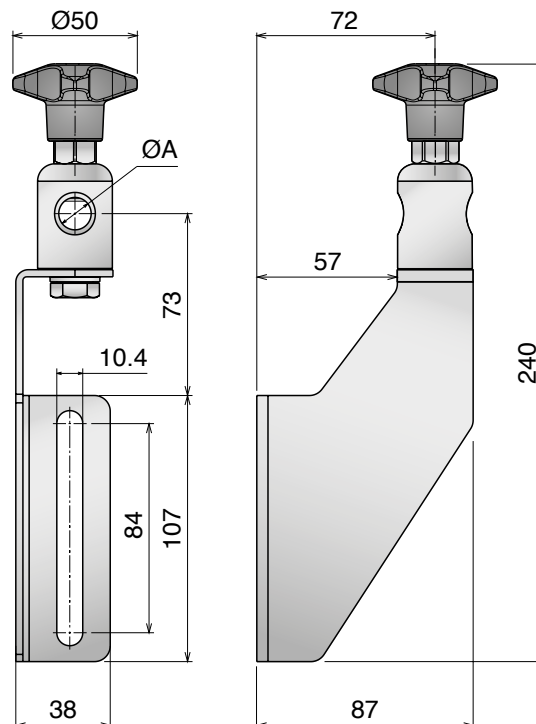
Delivery: **Easy** **Standard**



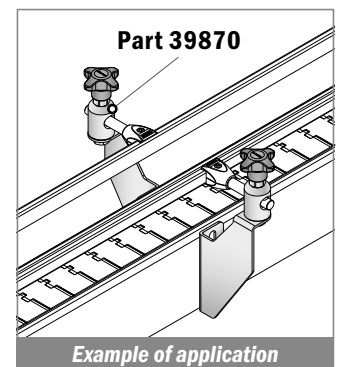
| Part | Article-Nr. | ØA | Knob Colour   |
|------|-------------|----|---------------|
| 398  | 39860       | 12 | Black         |
| 398  | 39862       | 14 | Black         |
| 398  | 39861       | 16 | Black         |
| 398  | 9860HB      | 12 | Hygienic blue |
| 398  | 9862HB      | 14 | Hygienic blue |
| 398  | 9861HB      | 16 | Hygienic blue |



## Supporto laterale inox -grande- orientabile SS bracket -large- adjustable / Edelstahl Geländerhalter -groß- einstellbar



| Part | Article-Nr. | ØA | Knob Colour   |
|------|-------------|----|---------------|
| 398  | 39870       | 12 | Black         |
| 398  | 39872       | 14 | Black         |
| 398  | 39871       | 16 | Black         |
| 398  | 9870HB      | 12 | Hygienic blue |
| 398  | 9872HB      | 14 | Hygienic blue |
| 398  | 9871HB      | 16 | Hygienic blue |





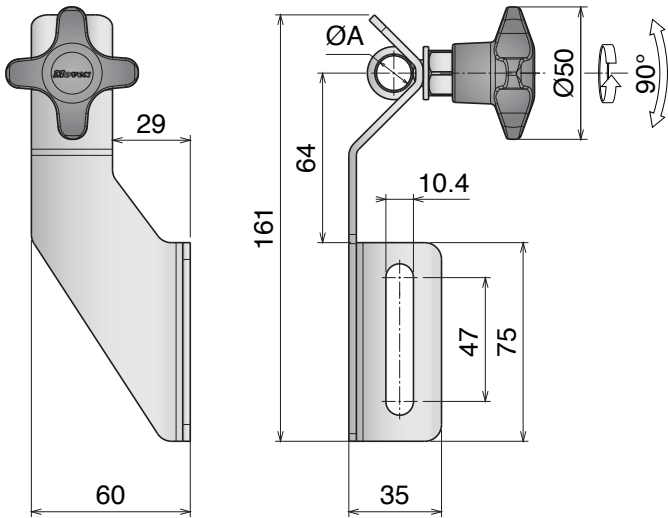
NEW

**398**

**Supporto laterale inox - piccolo**  
**SS bracket -small / Edelstahl Geländerhalter -klein**

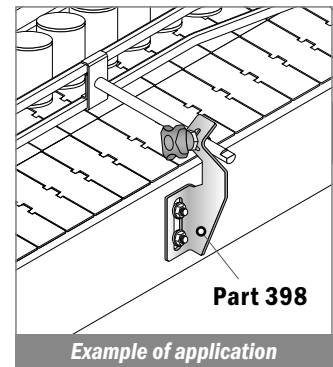
Stainless Steel | AISI 304

Width 60 mm – Height 64 mm



**Advantages:**

- Hygienic design
- Stronger design
- Easy to install
- Corrosion resistant
- High temperature resistant
- Fixing system customizable



**Stainless steel knob**

**Plastic knob**

**Stainless steel nut**



| Part | Article-Nr. | ØA    |
|------|-------------|-------|
| 398  | 39810SK     | 12-13 |
| 398  | 39811SK     | 14    |
| 398  | 39812SK     | 16    |

| Part | Article-Nr. | ØA    |
|------|-------------|-------|
| 398  | 39810       | 12-13 |
| 398  | 39811       | 14    |
| 398  | 39812       | 16    |

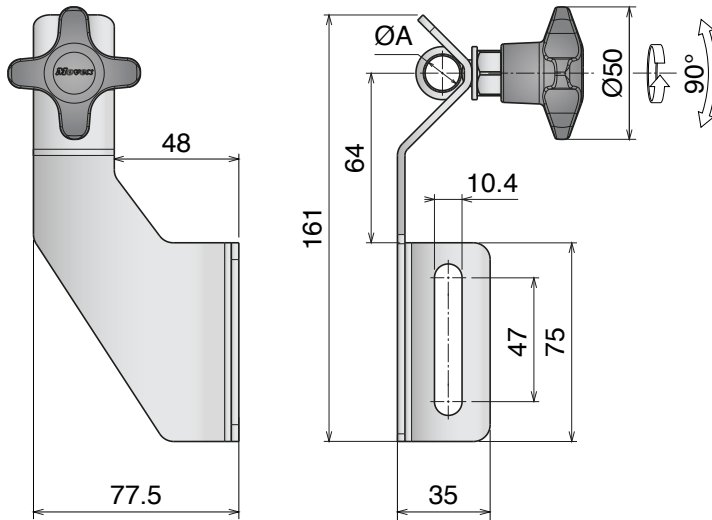
| Part | Article-Nr. | ØA    |
|------|-------------|-------|
| 398  | 39810S      | 12-13 |
| 398  | 39811S      | 14    |
| 398  | 39812S      | 16    |

## NEW 398

Supporto laterale inox - medio  
 SS bracket -medium / Edelstahl Geländerhalter -medium

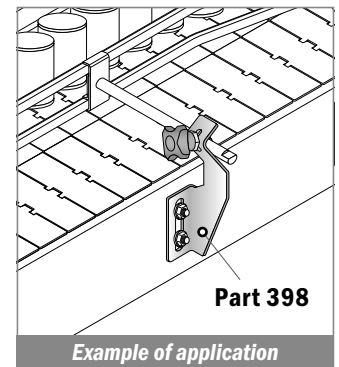
Stainless Steel | AISI 304

Width 77,5 mm - Height 64 mm



### Advantages:

- Hygienic design
- Stronger design
- Easy to install
- Corrosion resistant
- High temperature resistant
- Fixing system customizable



### Stainless steel knob



### Plastic knob



### Stainless steel nut



| Part | Article-Nr. | ØA    |
|------|-------------|-------|
| 398  | 39820SK     | 12-13 |
| 398  | 39821SK     | 14    |
| 398  | 39822SK     | 16    |

| Part | Article-Nr. | ØA    |
|------|-------------|-------|
| 398  | 39820       | 12-13 |
| 398  | 39821       | 14    |
| 398  | 39822       | 16    |

| Part | Article-Nr. | ØA    |
|------|-------------|-------|
| 398  | 39820S      | 12-13 |
| 398  | 39821S      | 14    |
| 398  | 39822S      | 16    |

NEW

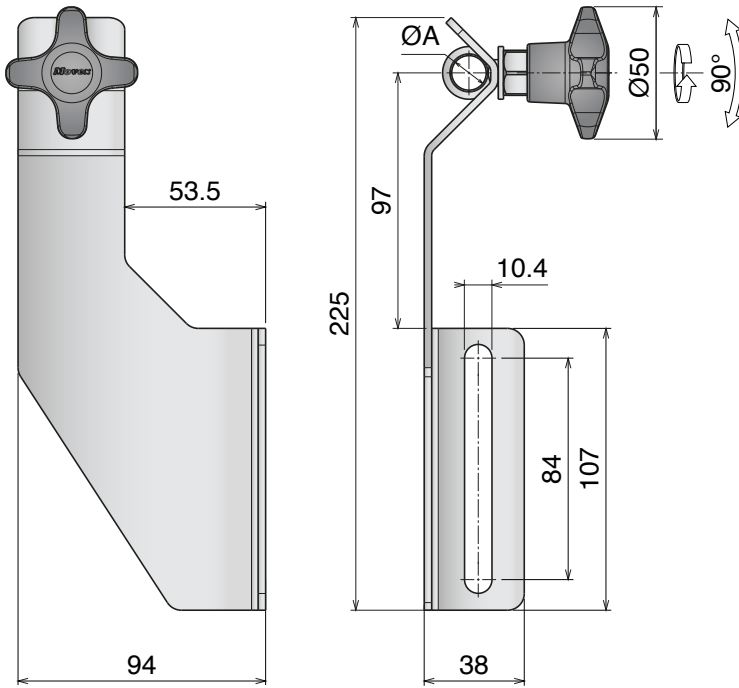
# 398

Supporto laterale inox - grande  
 SS bracket - large / Edelstahl Geländerhalter - groß

Stainless Steel | AISI 304

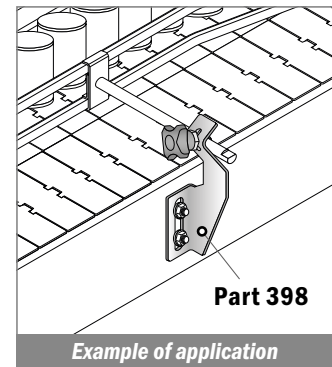
Delivery: **Easy** Standard

Width 94 mm - Height 97 mm



### Advantages:

- Hygienic design
- Stronger design
- Easy to install
- Corrosion resistant
- High temperature resistant
- Fixing system customizable



### Stainless steel knob



### Plastic knob



### Stainless steel nut



| Part | Article-Nr. | ØA    |
|------|-------------|-------|
| 398  | 39830SK     | 12-13 |
| 398  | 39831SK     | 14    |
| 398  | 39832SK     | 16    |

| Part | Article-Nr. | ØA    |
|------|-------------|-------|
| 398  | 39830       | 12-13 |
| 398  | 39831       | 14    |
| 398  | 39832       | 16    |

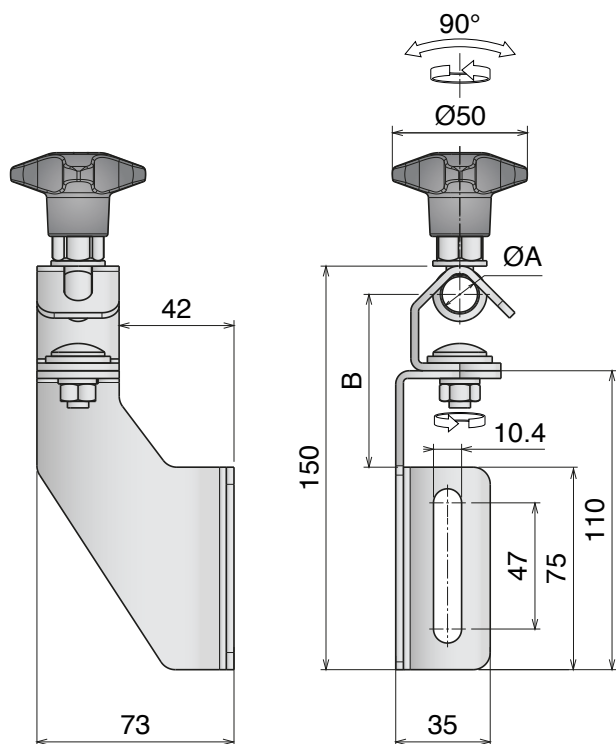
| Part | Article-Nr. | ØA    |
|------|-------------|-------|
| 398  | 39830S      | 12-13 |
| 398  | 39831S      | 14    |
| 398  | 39832S      | 16    |

## NEW 398

Supporto laterale inox -medio- orientabile  
 SS bracket -medium- adjustable / Edelstahl Geländerhalter -medium- einstellbar

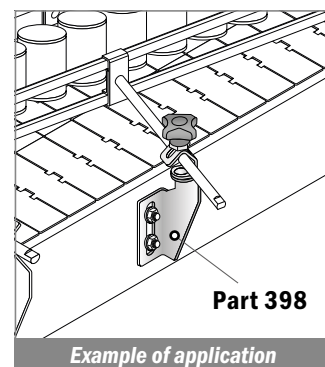
Stainless Steel | AISI 304

Width 73 mm – Height 64 mm



### Advantages:

- Hygienic design
- Stronger design
- Easy to install
- Corrosion resistant
- High temperature resistant
- Fixing system customizable



### Stainless steel knob



### Plastic knob



### Stainless steel nut



| Part | Article-Nr. | ØA    | B    |
|------|-------------|-------|------|
| 398  | 39840SK     | 12-13 | 64   |
| 398  | 39841SK     | 14    | 62,5 |
| 398  | 39842SK     | 16    | 61   |

| Part | Article-Nr. | ØA    | B    |
|------|-------------|-------|------|
| 398  | 39840       | 12-13 | 64   |
| 398  | 39841       | 14    | 62,5 |
| 398  | 39842       | 16    | 61   |

| Part | Article-Nr. | ØA    | B    |
|------|-------------|-------|------|
| 398  | 39840S      | 12-13 | 64   |
| 398  | 39841S      | 14    | 62,5 |
| 398  | 39842S      | 16    | 61   |

NEW

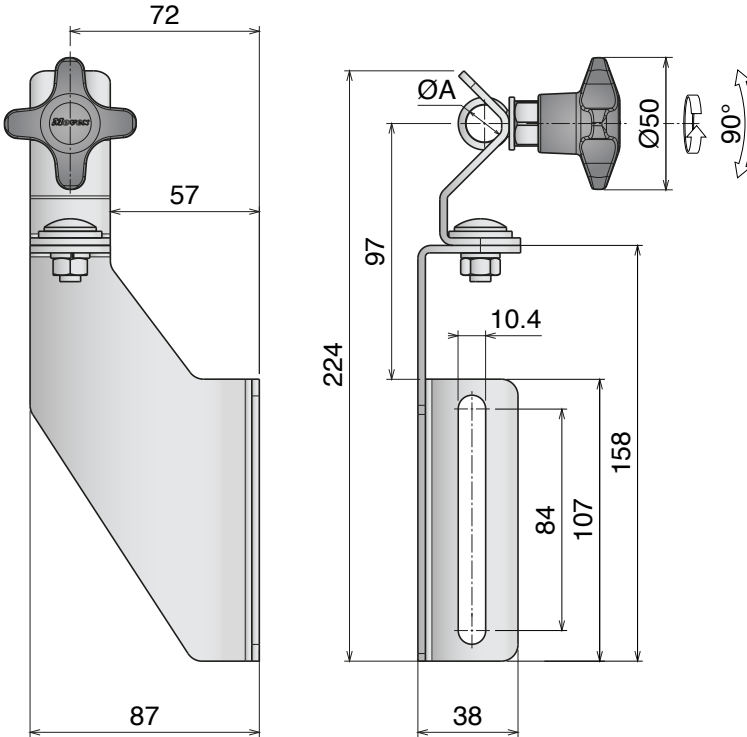
**398**

Supporto laterale inox -grande- orientabile  
 SS bracket -large- adjustable / Edelstahl Geländerhalter -groß- einstellbar

Stainless Steel | AISI 304

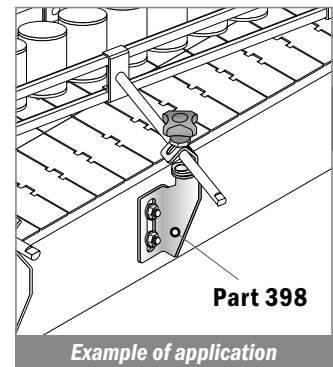
Delivery: **Easy** Standard

Width 87 mm - Height 97 mm



**Advantages:**

- Hygienic design
- Stronger design
- Easy to install
- Corrosion resistant
- High temperature resistant
- Fixing system customizable



**Stainless steel knob**

**Plastic knob**

**Stainless steel nut**



| Part | Article-Nr. | ØA    |
|------|-------------|-------|
| 398  | 39850SK     | 12-13 |
| 398  | 39851SK     | 14    |
| 398  | 39852SK     | 16    |

| Part | Article-Nr. | ØA    |
|------|-------------|-------|
| 398  | 39850       | 12-13 |
| 398  | 39851       | 14    |
| 398  | 39852       | 16    |

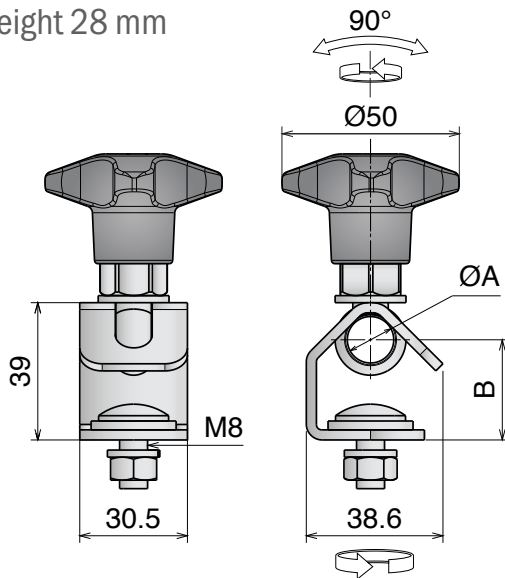
| Part | Article-Nr. | ØA    |
|------|-------------|-------|
| 398  | 39850S      | 12-13 |
| 398  | 39851S      | 14    |
| 398  | 39852S      | 16    |

## NEW 398

Testina orientabile inox - media  
 Stainless steel adjustable head - medium / Edelstahl Schwenkkopf - medium

Stainless Steel | AISI 304

Height 28 mm



### Advantages:

- Hygienic design
- Stronger design
- Easy to install
- Corrosion resistant
- High temperature resistant
- Fixing system customizable

### Stainless steel knob



### Plastic knob



### Stainless steel nut



| Part | Article-Nr. | ØA    | B    |
|------|-------------|-------|------|
| 398  | 39845SK     | 12-13 | 29   |
| 398  | 39846SK     | 14    | 27,5 |
| 398  | 39847SK     | 16    | 26   |

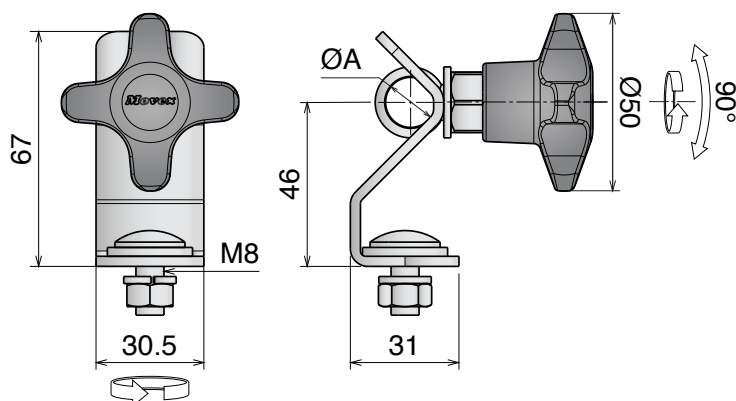
| Part | Article-Nr. | ØA    | B    |
|------|-------------|-------|------|
| 398  | 39845       | 12-13 | 29   |
| 398  | 39846       | 14    | 27,5 |
| 398  | 39847       | 16    | 26   |

| Part | Article-Nr. | ØA    | B    |
|------|-------------|-------|------|
| 398  | 39845S      | 12-13 | 29   |
| 398  | 39846S      | 14    | 27,5 |
| 398  | 39847S      | 16    | 26   |

**NEW** **398** Testina orientabile inox -alta  
 Stainless steel adjustable head -large / Edelstahl Schwenkopf -groß

Stainless Steel | AISI 304

Height 46 mm



**Advantages:**

- Hygienic design
- Stronger design
- Easy to install
- Corrosion resistant
- High temperature resistant
- Fixing system customizable

**Stainless steel knob**



| Part | Article-Nr. | ØA    |
|------|-------------|-------|
| 398  | 39855SK     | 12-13 |
| 398  | 39856SK     | 14    |
| 398  | 39857SK     | 16    |

**Plastic knob**



| Part | Article-Nr. | ØA    |
|------|-------------|-------|
| 398  | 39855       | 12-13 |
| 398  | 39856       | 14    |
| 398  | 39857       | 16    |

**Stainless steel nut**



| Part | Article-Nr. | ØA    |
|------|-------------|-------|
| 398  | 39855S      | 12-13 |
| 398  | 39856S      | 14    |
| 398  | 39857S      | 16    |

# 313-314

Componenti / Conveyor components / Komponenten

## Materiale / Material / Materialien:

Volantino: PA+ottone nichelato / Knob: PA+nickel plated brass / Sterngriff: PA+ Messing vernickelt

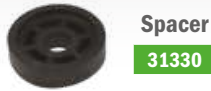
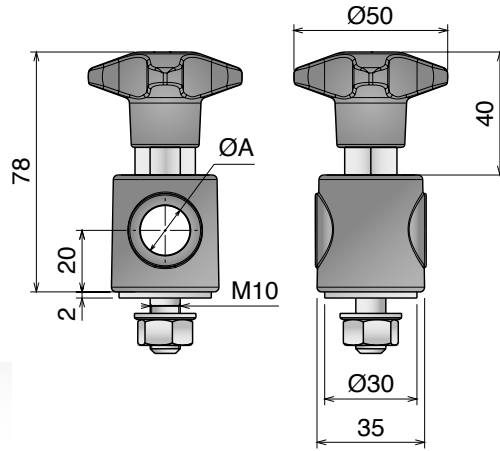
Tirante: Acciaio inox / Eyebolt: Stainless steel / Augenschraube: Edelstahl

Testina: PA o Acciaio inox / Head: PA or stainless steel / Schwenkopf: PA oder Edelstahl

Vite, rondella e dado: Acciaio inox / Screw, washer and nut: Stainless steel / Schraube, Scheibe und Mutter: Edelstahl

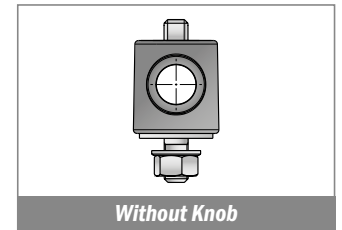
## 313 Testina orientabile Adjustable head / Schwenkopf

Delivery: **Easy** **Standard**



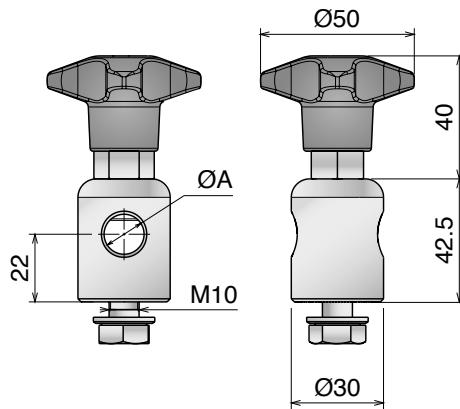
NOW ALSO IN HYGIENIC BLUE

| Part | Article-Nr. | ØA              | Knob Colour   |
|------|-------------|-----------------|---------------|
| 313  | 31301       | 12              | Black         |
| 313  | 31303       | 14              | Black         |
| 313  | 31302       | 16              | Black         |
| 313  | 31351       | 12              | Hygienic blue |
| 313  | 31353       | 14              | Hygienic blue |
| 313  | 31352       | 16              | Hygienic blue |
| 313  | 31311       | 12-without knob | -             |
| 313  | 31313       | 14-without knob | -             |
| 313  | 31312       | 16-without knob | -             |



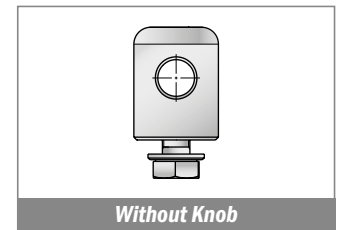
## 314 Testina orientabile, acciaio inox Adjustable head, stainless steel / Schwenkopf, Edelstahl

Delivery: **Easy** **Standard**

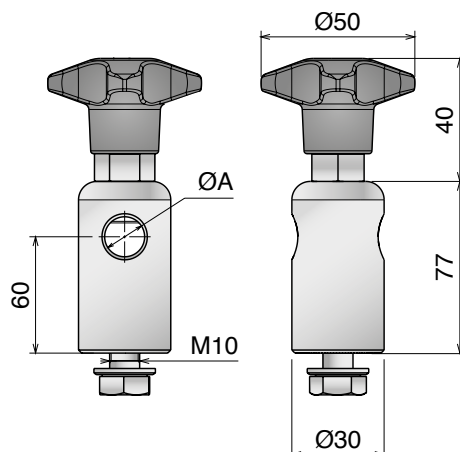


NOW ALSO IN HYGIENIC BLUE

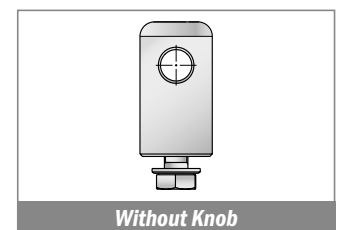
| Part | Article-Nr. | ØA              | Knob Colour   |
|------|-------------|-----------------|---------------|
| 314  | 31401       | 12              | Black         |
| 314  | 31403       | 14              | Black         |
| 314  | 31402       | 16              | Black         |
| 314  | 31451       | 12              | Hygienic blue |
| 314  | 31453       | 14              | Hygienic blue |
| 314  | 31452       | 16              | Hygienic blue |
| 314  | 31411       | 12-without knob | -             |
| 314  | 31413       | 14-without knob | -             |
| 314  | 31412       | 16-without knob | -             |



## Testina orientabile alta, acciaio inox Adjustable head, stainless steel / Schwenkopf, Edelstahl



| Part | Article-Nr. | ØA              |
|------|-------------|-----------------|
| 314  | 31409       | 12              |
| 314  | 31414       | 14              |
| 314  | 31410       | 16              |
| 314  | 31419       | 12-without knob |
| 314  | 31421       | 14-without knob |
| 314  | 31420       | 16-without knob |





## 315 Supporto laterale "L" L-bracket / Winkel

Delivery: **Easy** **Standard**

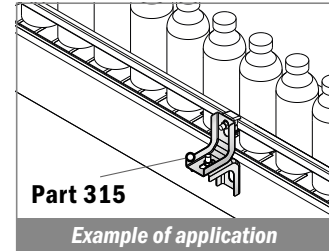
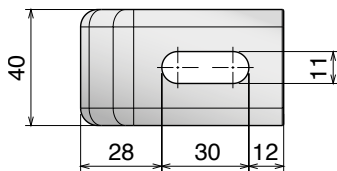
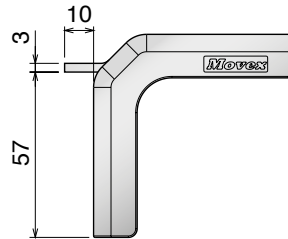
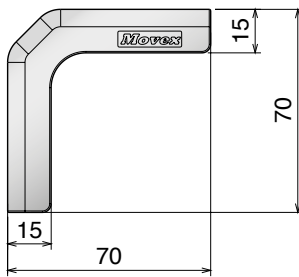
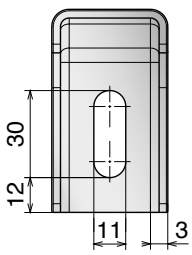
Stainless Steel | AISI 304

| Part | Article-Nr. | Type |
|------|-------------|------|
| 315  | 31501       | A    |
| 315  | 31502       | B    |



TYPE A - WITHOUT NOSE

TYPE B - WITH NOSE



## 316 Supporto laterale "L" L-bracket / Winkel

Delivery: **Easy** **Standard**

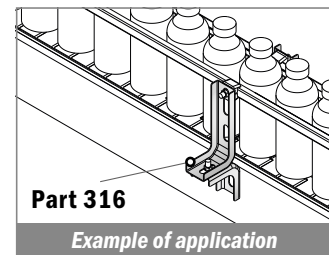
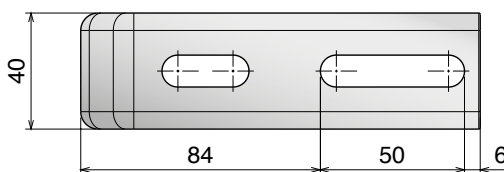
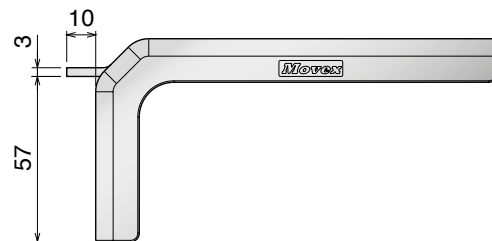
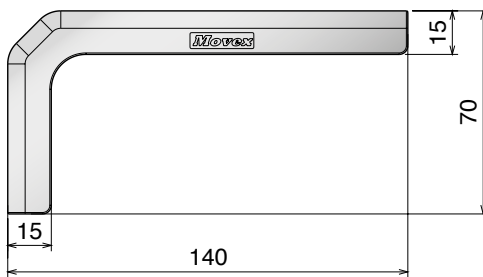
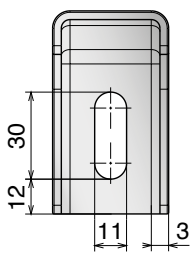
Stainless Steel | AISI 304

| Part | Article-Nr. | Type |
|------|-------------|------|
| 316  | 31601       | A    |
| 316  | 31602       | B    |



TYPE A - WITHOUT NOSE

TYPE B - WITH NOSE

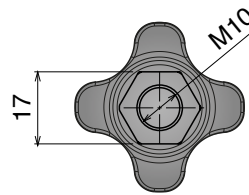
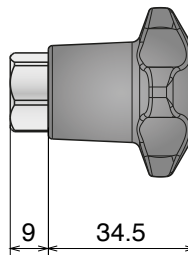
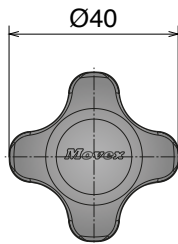
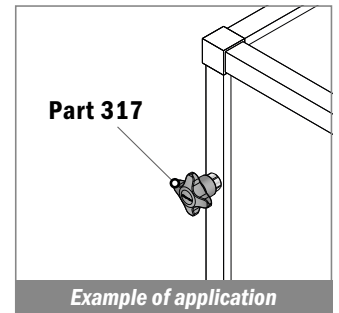
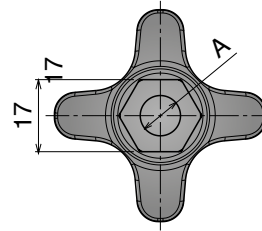
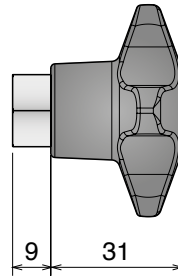
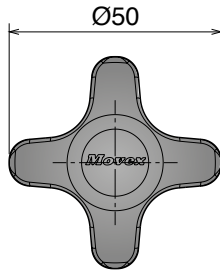


## 317 Volantino Star knob / Sterngriff

**NOW ALSO IN HYGIENIC BLUE**

Delivery: **Easy** **Standard**

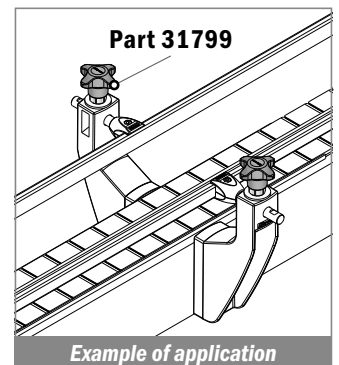
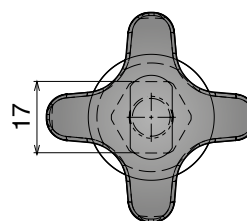
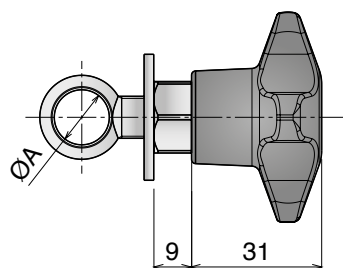
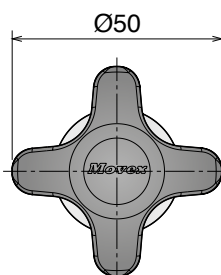
| Part | Article-Nr. | A   | Ø  | Knob Colour   |
|------|-------------|-----|----|---------------|
| 317  | 31702       | M10 | 40 | Black         |
| 317  | 31703       | M8  | 50 | Black         |
| 317  | 31701       | M10 | 50 | Black         |
| 317  | 31704       | M12 | 50 | Black         |
| 317  | 31753       | M8  | 50 | Hygienic blue |
| 317  | 31751       | M10 | 50 | Hygienic blue |
| 317  | 31754       | M12 | 50 | Hygienic blue |



### Volantino con tirante Star knob with eye-bolt / Sterngriff mit Augenschraube

**NOW ALSO IN HYGIENIC BLUE**

| Part | Article-Nr. | ØA | Knob Colour   |
|------|-------------|----|---------------|
| 317  | 31799       | 12 | Black         |
| 317  | 31797       | 14 | Black         |
| 317  | 31798       | 16 | Black         |
| 317  | 31759       | 12 | Hygienic blue |
| 317  | 31757       | 14 | Hygienic blue |
| 317  | 31758       | 16 | Hygienic blue |



**Materiale / Material / Materialien:**

Poliammide + ottone nichelato / Acciaio inox / Ottone  
 Polyamide + nickel plated brass / Stainless steel / Brass  
 Polyamid + Messing vernickelt / Edelstahl / Messing

# 318-319-3001

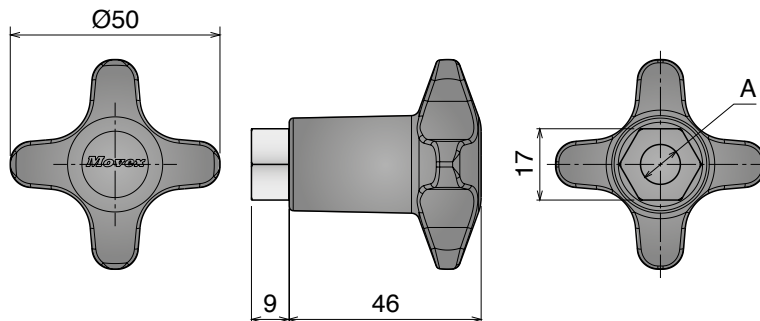
Componenti / Conveyor components / Komponenten

## 318 Volantino Star knob / Sterngriff

**RANGE EXTENSION**

Delivery: **Easy** Standard

| Part | Article-Nr. | A   |
|------|-------------|-----|
| 318  | 31802       | M8  |
| 318  | 31801       | M10 |
| 318  | 31803       | M12 |

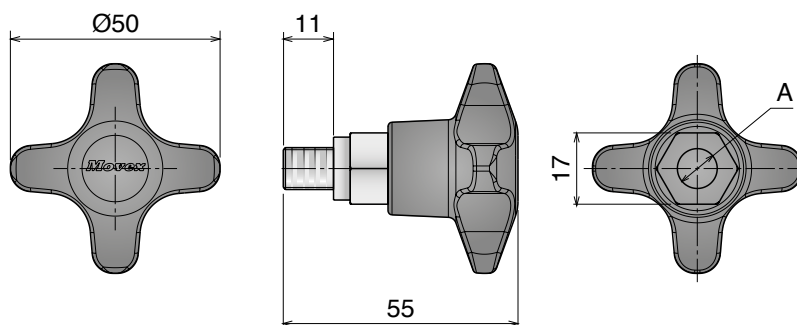


## 319 Volantino Star knob / Sterngriff

**RANGE EXTENSION**

Delivery: **Easy** Standard

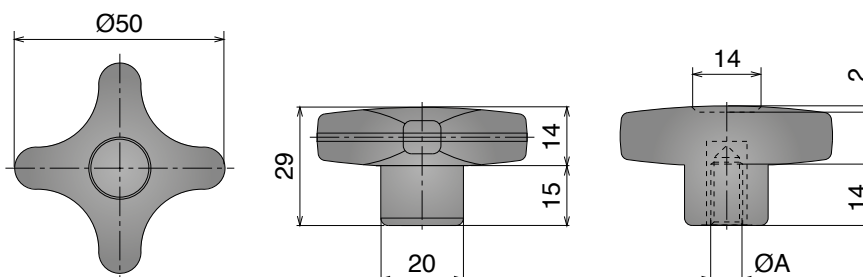
| Part | Article-Nr. | A   |
|------|-------------|-----|
| 319  | 31903       | M8  |
| 319  | 31901       | M10 |
| 319  | 31904       | M12 |



## 3001 Volantino a croce con boccola filettata Star knob with threaded bush / Sterngriff mit Innengewinde

**RANGE EXTENSION**

| Part | Article-Nr. | ØA  | Threaded bush   |
|------|-------------|-----|-----------------|
| 3001 | 300103      | M8  | Stainless steel |
| 3001 | 300101      | M10 | Stainless steel |
| 3001 | 300105      | M12 | Stainless steel |
| 3001 | 300104      | M8  | Brass           |
| 3001 | 300102      | M10 | Brass           |
| 3001 | 300106      | M12 | Brass           |



# 317-320-3007

Componenti / Conveyor components / Komponenten

Materiali / Material / Materialien:

Part. 317: Acciaio inox / Stainless steel / Edelstahl

Part. 320: Poliammide + ottone nichelato / Polyamide + nickel plated brass / Polyamid + messing vernickelt

Part.3007: Poliammide + ottone / Polyamide + brass / Polyamid + messing

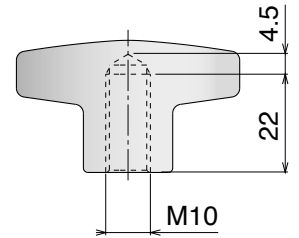
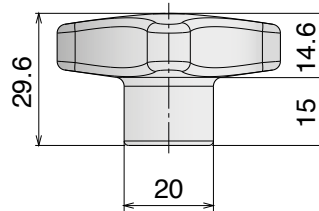
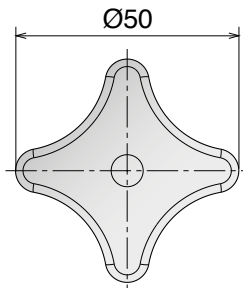
**NEW** 317

Volantino Acciaio inox  
Star knob stainless steel / Sterngriff Edelstahl

Stainless Steel | AISI 304

Delivery: **Easy** Standard

| Part | Article-Nr. | ØA  |
|------|-------------|-----|
| 317  | 31721       | M10 |

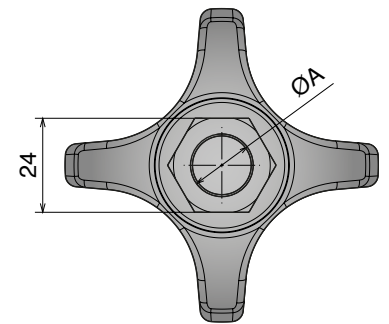
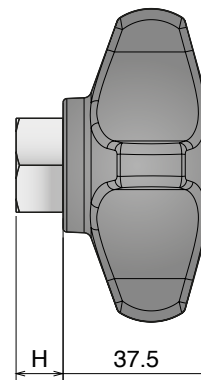


**320**

Volantino Ø80  
Star knob Ø80 / Sterngriff Ø80

Delivery: **Easy** Standard

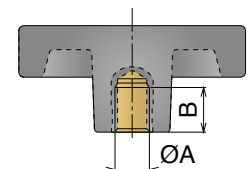
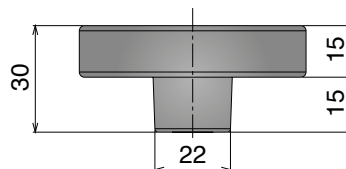
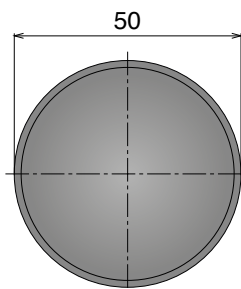
| Part | Article-Nr. | ØA  | H  |
|------|-------------|-----|----|
| 320  | 32001       | M12 | 12 |
| 320  | 32002KN     | M16 | 15 |



**NEW** 3007

Impugnatura con boccola filettata  
Knob with threaded bushing / Drehgriff mit Gewindebuchse

| Part | Article-Nr. | ØA  | B  |
|------|-------------|-----|----|
| 3007 | 300701      | M8  | 15 |
| 3007 | 300702      | M10 | 14 |
| 3007 | 300703      | M12 | 18 |



**Materiale / Material / Materialien:**

Part. 3008: Poliammide + acciaio zincato / Polyamide + galvanised steel

Polyamid + verzinktem stahl

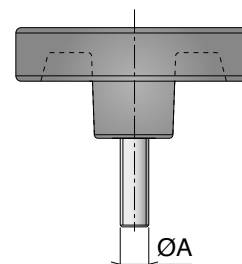
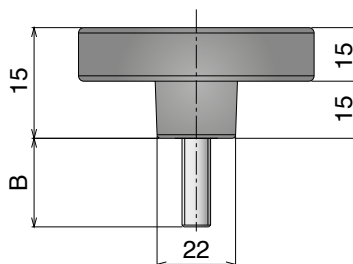
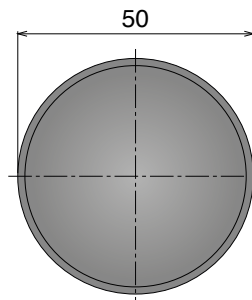
Part. 3002: Poliammide + ottone / Polyamide + brass / Polyamid + messing

# 3008-3002

Componenti / Conveyor components / Komponenten

**NEW 3008** Impugnatura con perno filettato  
Knob with threaded pin / Drehgriffschraube

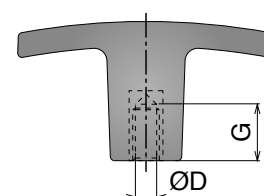
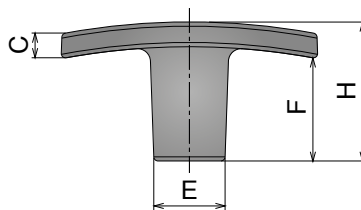
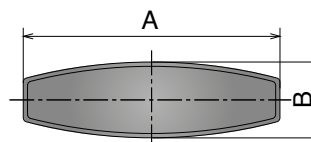
| Part | Article-Nr. | ØA  | B  |
|------|-------------|-----|----|
| 3008 | 300801      | M8  | 25 |
| 3008 | 300802      | M10 | 25 |
| 3008 | 300803      | M12 | 30 |



**3002** Tirante con boccola filettata  
Handle with threaded insert / T-Griff mit Innengewinde

Delivery: **Easy** Standard

| Part | Article-Nr. | A  | B  | C | ØD  | E    | F  | G  | H  |
|------|-------------|----|----|---|-----|------|----|----|----|
| 3002 | 300201      | 50 | 15 | 5 | M6  | 14   | 17 | 10 | 24 |
| 3002 | 300202      | 50 | 15 | 5 | M8  | 14   | 17 | 14 | 24 |
| 3002 | 300203      | 60 | 18 | 6 | M10 | 16.5 | 24 | 21 | 33 |



# 324-325-3009

Componenti / Conveyor components / Komponenten

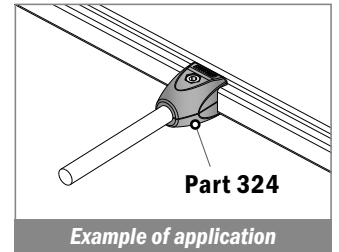
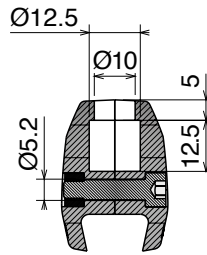
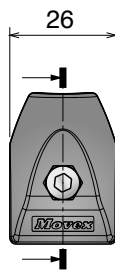
• **Materiale / Material / Materialien:** Morsetti: PA/Clamp: PA/Klemme: PA  
 Vite, perno e rondella: Acciaio inox/Screw, pin and washer: Stainless steel  
 Schraube, Bolzen und Scheibe: Edelstahl  
 Dado: ottone nichelato/Nut: nickel plated brass/Mutter: Messing vernickelt

## 324 Morsetto singolo per guida laterale conica Single clamp for conical side guide / Einfachklemme für konische Seitenführung

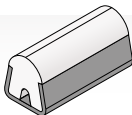
**NOW ALSO IN HYGIENIC BLUE**

Delivery: **Easy** **Standard** Used with Part 349/350 Pag 478 and Part 356 Pag 481

| Part | Article-Nr. | ØA          | Colour        |
|------|-------------|-------------|---------------|
| 324  | 32401       | without pin | Black         |
| 324  | 32451       | without pin | Hygienic blue |



Used with  
**Guide rail**  
 Pag 348

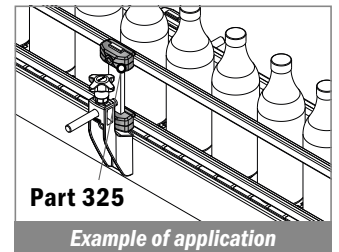
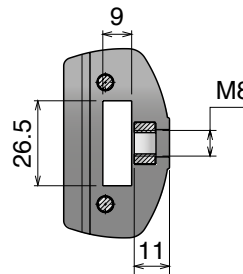
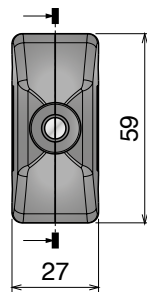
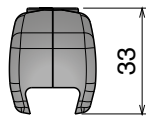


## 325 Morsetto singolo per guida laterale conica Single clamp for conical side guide / Einfachklemme für konische Seitenführung

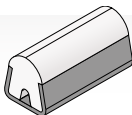
**NOW ALSO IN HYGIENIC BLUE**

Delivery: **Easy** **Standard**

| Part | Article-Nr. | ØA          | Colour        |
|------|-------------|-------------|---------------|
| 325  | 32501       | without pin | Black         |
| 325  | 32551       | without pin | Hygienic blue |



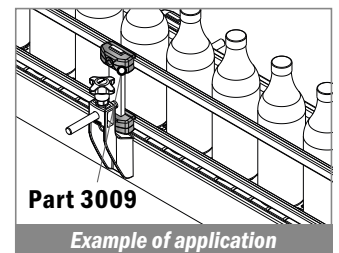
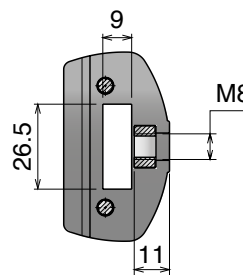
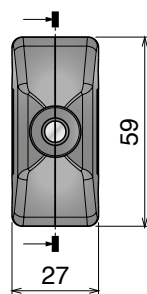
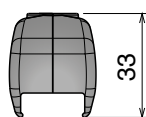
Used with  
**Guide rail**  
 Pag 348



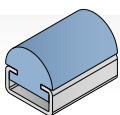
## **NEW** 3009 Morsetto singolo per guida laterale Single clamp for side guide / Einfachklemme für Seitenführung

**NOW ALSO IN HYGIENIC BLUE**

| Part | Article-Nr. | ØA          | Colour        |
|------|-------------|-------------|---------------|
| 3009 | 300901      | without pin | Black         |
| 3009 | 300902      | without pin | Hygienic blue |



Used with  
**PART 134**  
 Pag 383



**Materiale / Material / Materialien:**

Part. 326: Poliammide/Polyamide/Polyamid  
 Part. 3013: Acciaio inox / Stainless steel / Edelstahl  
 Part. 3010: Acciaio inox / Stainless steel / Edelstahl

# 326-3013-3010

Componenti / Conveyor components / Komponenten

## 326

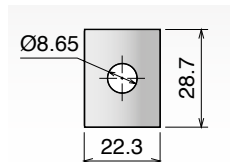
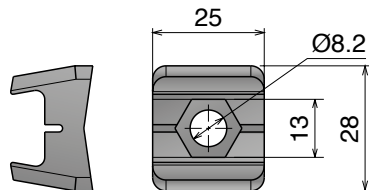
**Morsetto singolo per guida laterale conica**  
*Single clamp for conical side guide / Einfachklemme für konische Seitenführung*

**NOW ALSO IN HYGIENIC BLUE**

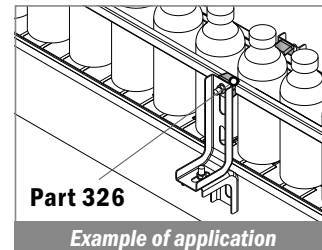
Delivery: **Easy** **Standard**

Part Article-Nr. Colour

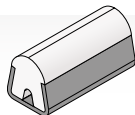
|     |       |               |
|-----|-------|---------------|
| 326 | 32601 | Black         |
| 326 | 32651 | Hygienic blue |



**Reinforced plate 33201**  
 3 mm thickness



Used with **Guide rail**  
 Pag 348



**Part 326**

*Example of application*

**NEW**

## 3013

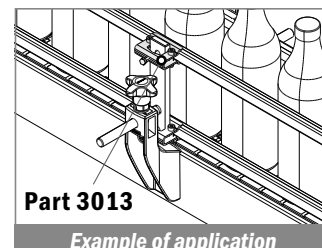
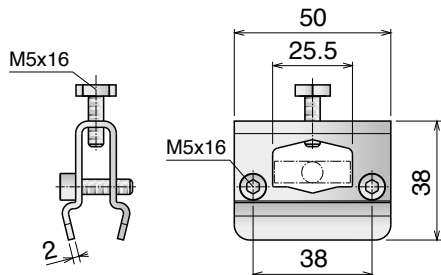
**Morsetto singolo per guida laterale conica**  
*Single clamp for conical side guide / Einfachklemme für konische Seitenführung*

**Stainless Steel | AISI 304**

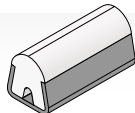
Delivery: **Easy** **Standard** Screws supplied not assembled

Part Article-Nr. Suitable for

|      |        |                           |
|------|--------|---------------------------|
| 3013 | 301301 | ● 12/14/15/16 ■ 25x6/25x8 |
|------|--------|---------------------------|



Used with **Guide rail**  
 Pag 348



**Part 3013**

*Example of application*

**NEW**

## 3010

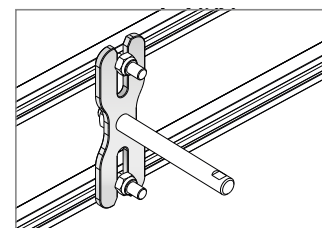
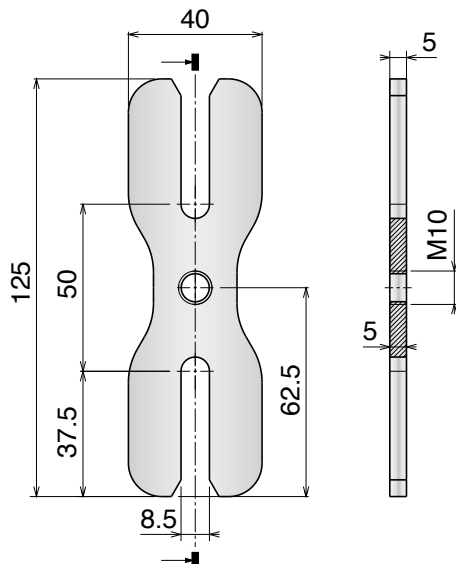
**Morsetto doppio regolabile**  
*Adjustable double clamp / Einstellbare Doppelklemme*

**Stainless Steel | AISI 304**

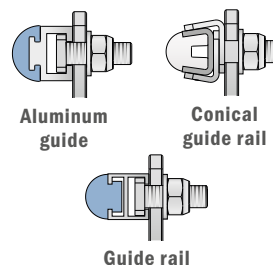
Delivery: **Easy** **Standard**

Part Article-Nr. ØA

|      |        |             |
|------|--------|-------------|
| 3010 | 301001 | without pin |
|------|--------|-------------|



**One product for different combination:**



Aluminum guide

Conical guide rail

Guide rail

*Example of application*

**Materiale / Material / Materialien:**

Morsetto: PA/Clamp: PA/Klemme: PA

Perno e rondella: Acciaio inox/Pin and washer: Stainless steel/Bolzen und Scheibe: Edelstahl

Dado: ottone nichelato/Nut: nickel plate brass/Mutter: Messing vernickelt

## 327

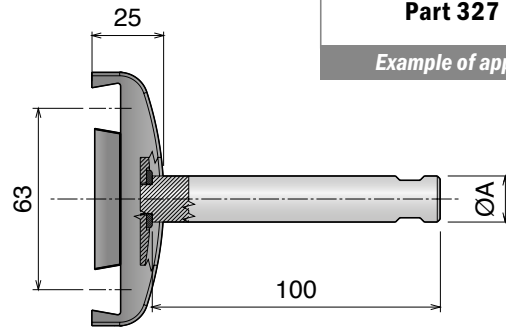
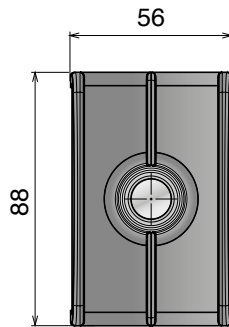
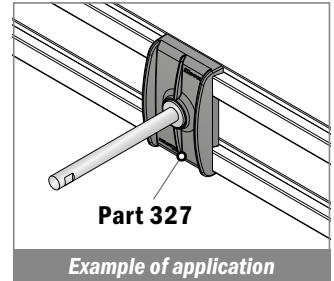
Morsetto doppio per guida laterale conica

Double clamp for conical side guide / Doppelklemme für konische Seitenführung

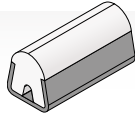
Delivery: **Easy** Standard



| Part | Article-Nr. | ØA          |
|------|-------------|-------------|
| 327  | 32701       | without pin |
| 327  | 32702       | 12          |
| 327  | 32703       | 16          |



Used with  
**Guide rail**  
Pag 348



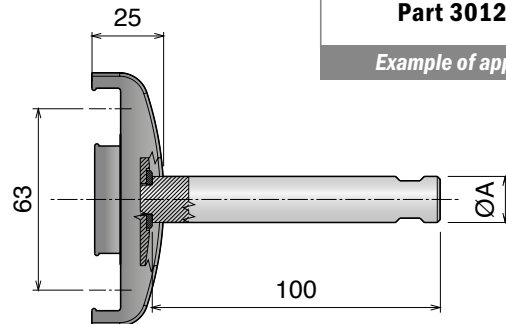
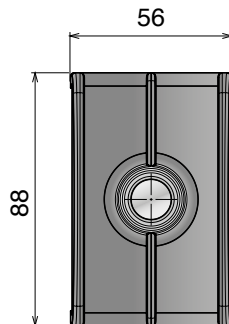
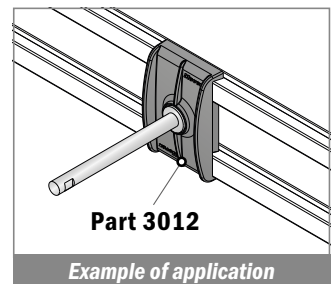
## NEW 3012

Morsetto doppio per guida laterale

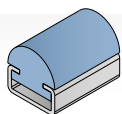
Double clamp for side guide / Doppelklemme für Seitenführung



| Part | Article-Nr. | ØA          |
|------|-------------|-------------|
| 3012 | 301201      | without pin |
| 3012 | 301202      | 12          |
| 3012 | 301203      | 16          |



Used with  
**PART 134**  
Pag 383





• **Materiale / Material / Materialien:** Morsetti: PA/Clamp: PA/Klemme: PA  
 Vite, perno e rondella: Acciaio inox/Screw, pin and washer: Stainless steel  
 Schraube, Bolzen und Scheibe: Edelstahl  
 Dado: ottone nichelato/Nut: nickel plated brass/Mutter: Messing vernickelt

# 337-338-339

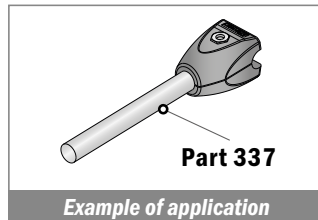
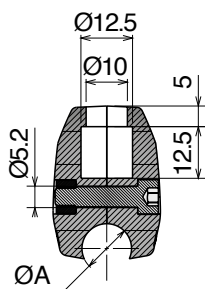
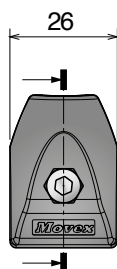
Componenti / Conveyor components / Komponenten

## 337 Morsetto singolo per tondino Single clamp for round bar / Einfachklemme für Rund Profil

NOW ALSO IN HYGIENIC BLUE

Delivery: **Easy** **Standard** Used with Part 349/350 Pag 478 and Part 356 Pag 481

| Part | Article-Nr. | ØA | Colour        |
|------|-------------|----|---------------|
| 337  | 33701       | 10 | Black         |
| 337  | 33702       | 12 | Black         |
| 337  | 33751       | 10 | Hygienic blue |
| 337  | 33752       | 12 | Hygienic blue |

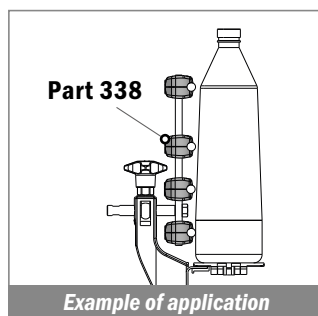
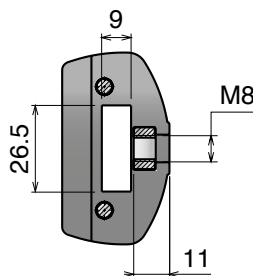
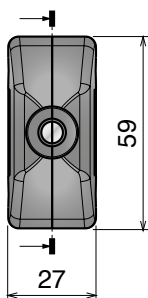
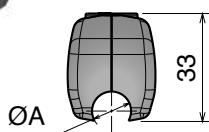


## 338 Morsetto singolo per tondino Single clamp for round bar / Einfachklemme für Rund Profil

NOW ALSO IN HYGIENIC BLUE

Delivery: **Easy** **Standard**

| Part | Article-Nr. | ØA | Colour        |
|------|-------------|----|---------------|
| 338  | 33801       | 10 | Black         |
| 338  | 33802       | 12 | Black         |
| 338  | 33851       | 10 | Hygienic blue |
| 338  | 33852       | 12 | Hygienic blue |

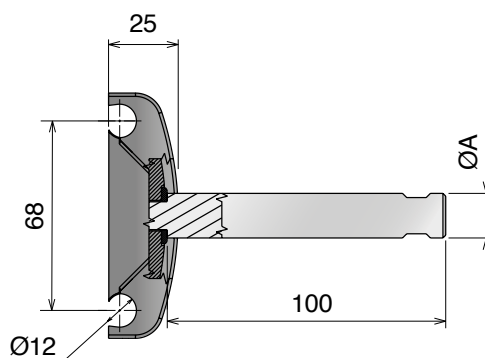
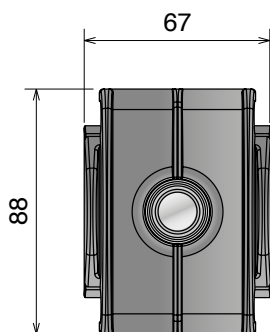
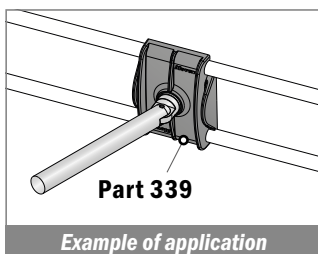


## 339 Morsetto doppio per tondino Double clamp for round bar / Doppelklemme für Rund Profil

NOW ALSO IN HYGIENIC BLUE

Delivery: **Easy** **Standard**

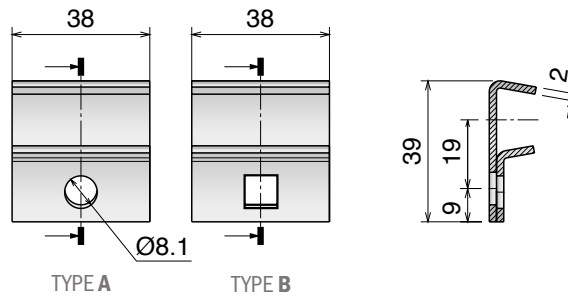
| Part | Article-Nr. | ØA          | Colour        |
|------|-------------|-------------|---------------|
| 339  | 33901       | without pin | Black         |
| 339  | 33902       | 12          | Black         |
| 339  | 33904       | 14          | Black         |
| 339  | 33903       | 16          | Black         |
| 339  | 33951       | without pin | Hygienic blue |
| 339  | 33952       | 12          | Hygienic blue |
| 339  | 33954       | 14          | Hygienic blue |
| 339  | 33953       | 16          | Hygienic blue |



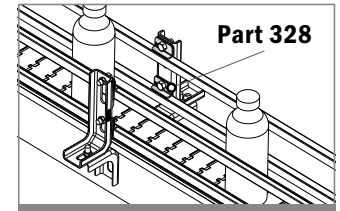
## 328

Morsetto singolo per guida laterale conica  
Single clamp for conical side guide / Einfachklemme für konische Seitenführung

Delivery: **Easy** **Standard** Used with Guide rail Pag 348



| Part | Article-Nr. | Material | Type |
|------|-------------|----------|------|
| 328  | 32801       | AISI 304 | A    |
| 328  | 32802       | AISI 304 | B    |
| 328  | 32811       | AISI 316 | A    |

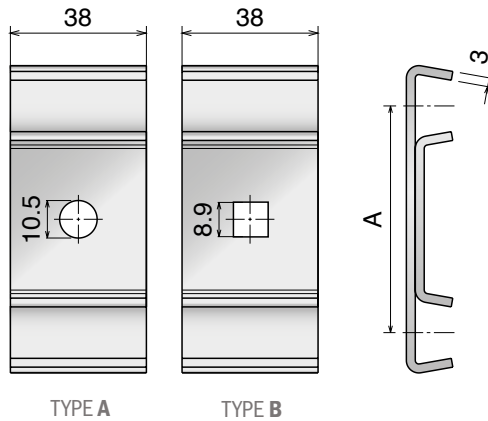


Example of application

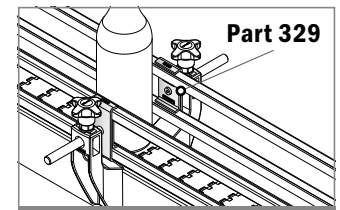
## 329

Morsetto doppio per guida laterale conica  
Double clamp for conical side guide / Doppelklemme für konische Seitenführung

Delivery: **Easy** **Standard** Used with Guide rail Pag 348



| Part | Article-Nr. | A     | Type |
|------|-------------|-------|------|
| 329  | 32904       | 50,0  | A    |
| 329  | 32901       | 63,5  | A    |
| 329  | 32902       | 82,55 | A    |
| 329  | 32903       | 95,25 | A    |
| 329  | 32911       | 63,5  | B    |
| 329  | 32912       | 82,55 | B    |
| 329  | 32913       | 95,25 | B    |

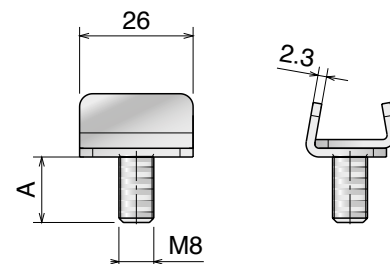


Example of application

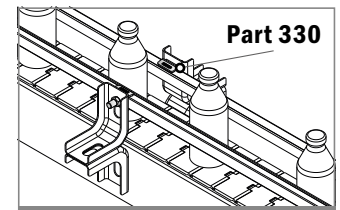
## 330

Morsetto singolo per guida laterale conica  
Single clamp for conical side guide / Einfachklemme für konische Seitenführung

Delivery: **Easy** **Standard** Used with Guide rail Pag 348



| Part | Article-Nr. | A  |
|------|-------------|----|
| 330  | 33001       | 15 |
| 330  | 33003       | 20 |
| 330  | 33002       | 25 |
| 330  | 33004       | 30 |

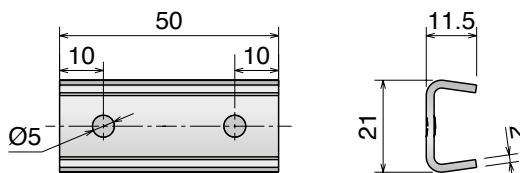


Example of application

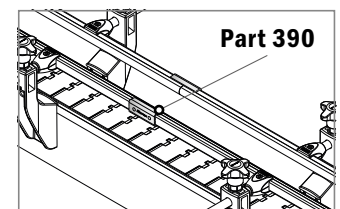
## 390

Elemento di giunzione  
Connecting element / Verbinder

Delivery: **Easy** **Standard** Used with Guide rail Pag 348



| Part | Article-Nr. |
|------|-------------|
| 390  | 39001       |



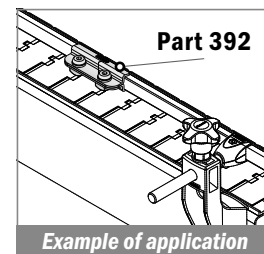
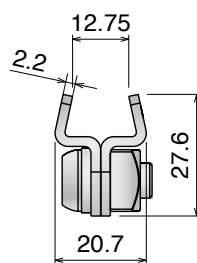
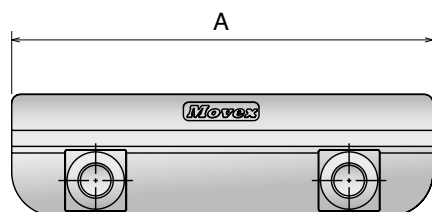
Example of application

**Materiale / Material / Materialien:** Acciaio inox/Stainless steel/Edelstahl  
 Morsetto: Resina acetica/Clamp: Acetal resin/Klemme: Azetal  
 Vite, perno e dado: Acciaio inox/Screw, pin and nut: Stainless steel  
 Schraube, Bolzen und Mutter: Edelstahl

## 392 Elemento di connessione Connecting clamp / Verbindungsklemme

Delivery: **Easy** **Standard** Used with Guide rail Pag 348

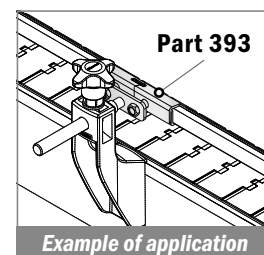
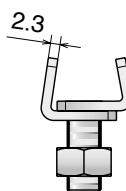
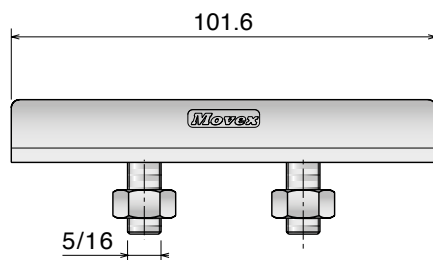
| Part | Article-Nr. | A   |
|------|-------------|-----|
| 392  | 39201       | 75  |
| 392  | 39202       | 100 |
| 392  | 39203       | 150 |



## 393 Elemento di connessione Connecting clamp / Verbindungsklemme

Delivery: **Easy** **Standard** Used with Guide rail Pag 348

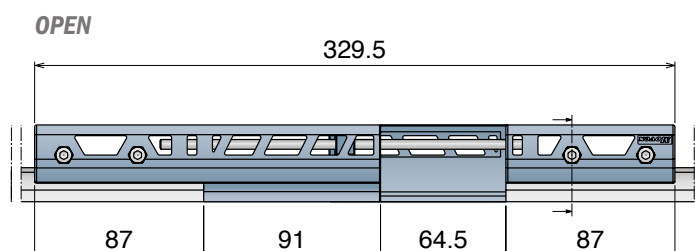
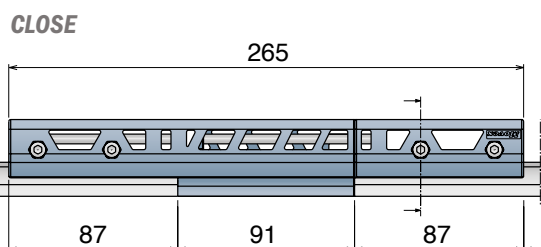
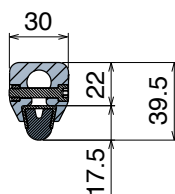
| Part | Article-Nr. |
|------|-------------|
| 393  | 39302       |



## 336 Morsetto regolabile guide coniche Adjustable clamp for conical guide / verstellbare Klemme für konische Führungen

Delivery: **Easy** **Standard** Used with Guide rail Pag 348

| Part | Article-Nr. |
|------|-------------|
| 336  | 33601       |

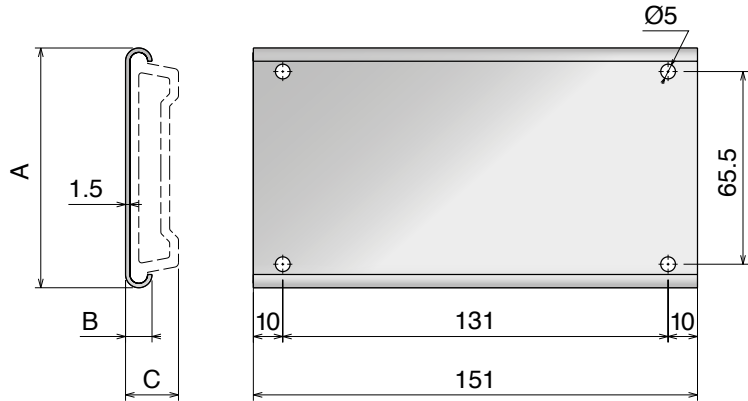


Materiali / Material / Materialien: Acciaio inox/Stainless steel/Edelstahl  
 Morsetto: PA/Clamp: PA/Klemme: PA  
 Vite, perno e rondella: Acciaio inox/Screw, pin and washer: Stainless steel/Schraube, Bolzen und Scheibe: Edelstahl  
 Dado: ottone nichelato/Nut: nickel plated brass/Mutter: Messing vernickelt

## 394 Morsetto di giunzione Joint clamp / Verbindungsplatte

Delivery: **Easy** **Standard** Used with Part 135/136 Pag 400

| Part | Article-Nr. | A    | B | C  |
|------|-------------|------|---|----|
| 394  | 39401       | 81,5 | 9 | 18 |
| 394  | 39402       | 90   | 8 | 17 |



## 341 Morsetto Clamp / Klemme

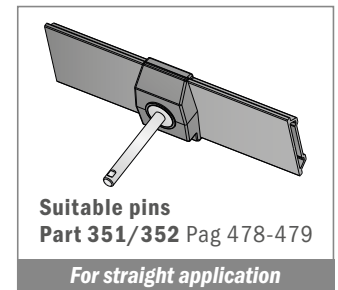
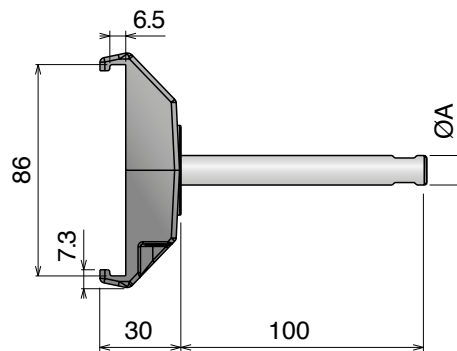
Delivery: **Easy** **Standard** Versions without pins don't include nuts and washer too

**NOW ALSO IN HYGIENIC BLUE**

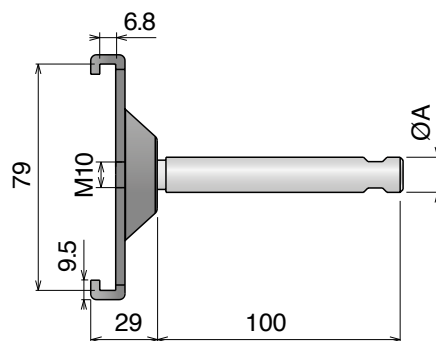
| Part | Article-Nr. | ØA          | Colour        |
|------|-------------|-------------|---------------|
| 341  | 34101       | without pin | Black         |
| 341  | 34102       | 12          | Black         |
| 341  | 34103       | 16          | Black         |
| 341  | 34151       | without pin | Hygienic blue |
| 341  | 34152       | 12          | Hygienic blue |
| 341  | 34153       | 16          | Hygienic blue |



TYPE A  
Used with Part 136 Pag 400

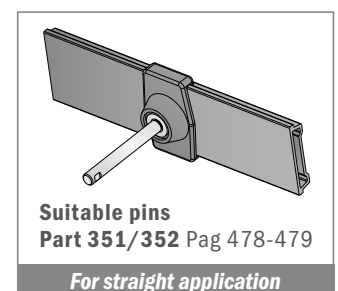


TYPE B  
Used with Part 135 Pag 400



**NOW ALSO IN HYGIENIC BLUE**

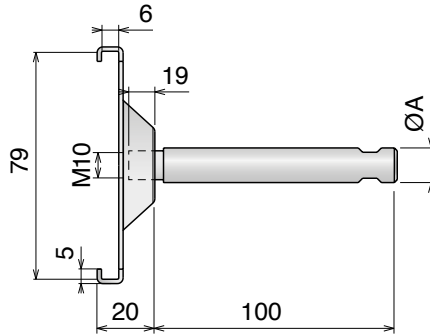
| Part | Article-Nr. | ØA          | Colour        |
|------|-------------|-------------|---------------|
| 341  | 34111       | without pin | Black         |
| 341  | 34112       | 12          | Black         |
| 341  | 34113       | 16          | Black         |
| 341  | 34161       | without pin | Hygienic blue |
| 341  | 34162       | 12          | Hygienic blue |
| 341  | 34163       | 16          | Hygienic blue |



**Materiale / Material / Materialien:**  
 Morsetto: Acciaio inox / Clamp: SS / Klemme: Edelstahl  
 Perno: Acciaio inox / Pin: SS / Blozen: Edelstahl

## 3310 Morsetto acciaio inox Clamp, stainless steel / Klemme, Edelstahl

Delivery: **Easy** **Standard** Used with Part 135 Pag 400 - Suitable pins Part 351/352 Pag 478-479

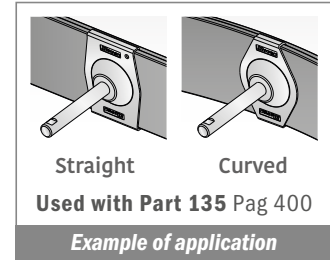


For straight application

| Part | Article-Nr. | ØA          |
|------|-------------|-------------|
| 3310 | 33101       | without pin |
| 3310 | 33102       | 12          |
| 3310 | 33103       | 16          |

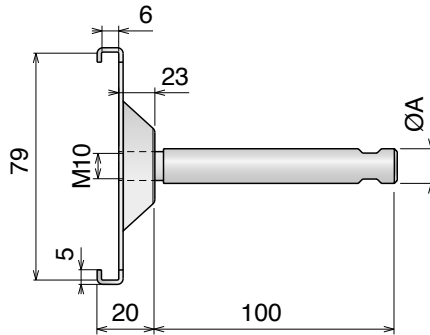
For curved application

| Part | Article-Nr. | ØA          |
|------|-------------|-------------|
| 3310 | 33105       | without pin |
| 3310 | 33106       | 12          |
| 3310 | 33107       | 16          |



## 3311 Morsetto acciaio inox Clamp, stainless steel / Klemme, Edelstahl

Delivery: **Easy** **Standard** Suitable pins Part 3004/3005 Pag 479

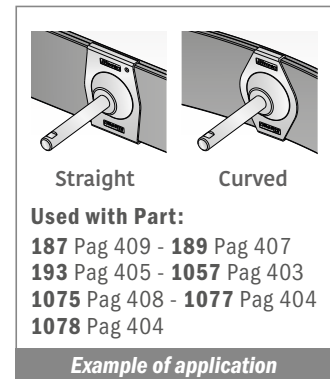


For straight application

| Part | Article-Nr. | ØA |
|------|-------------|----|
| 3311 | 33112       | 12 |
| 3311 | 33113       | 16 |

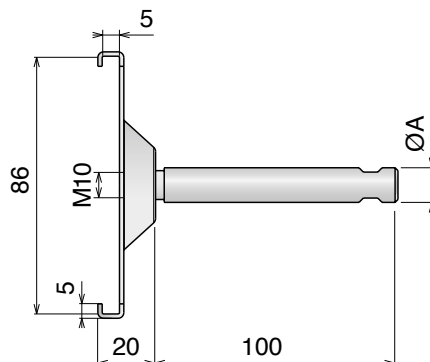
For curved application

| Part | Article-Nr. | ØA |
|------|-------------|----|
| 3311 | 33116       | 12 |
| 3311 | 33117       | 16 |

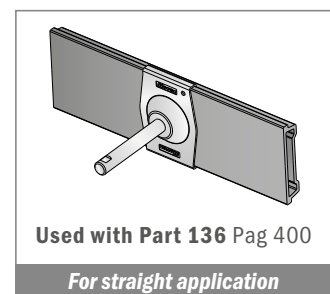


## 345 Morsetto acciaio inox Clamp, stainless steel / Klemme, Edelstahl

Delivery: **Easy** **Standard** Suitable pins Part 351/352 Pag 478-479



| Part | Article-Nr. | ØA          |
|------|-------------|-------------|
| 345  | 34501       | without pin |
| 345  | 34502       | 12          |
| 345  | 34503       | 16          |

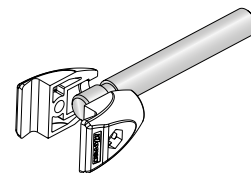


## 349 Perno Rod / Bolzen

Delivery: **Easy** **Standard**



| Part | Article-Nr. | A   |
|------|-------------|-----|
| 349  | 34901       | 80  |
| 349  | 34902       | 100 |
| 349  | 34903       | 150 |

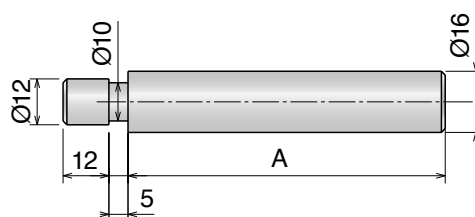


Used with Part:  
324 Pag 470 - 337 Pag 473

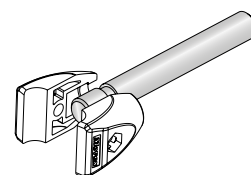
Example of application

## 350 Perno Rod / Bolzen

Delivery: **Easy** **Standard**



| Part | Article-Nr. | A   |
|------|-------------|-----|
| 350  | 35001       | 80  |
| 350  | 35002       | 100 |
| 350  | 35003       | 150 |



Used with Part:  
324 Pag 470 - 337 Pag 473

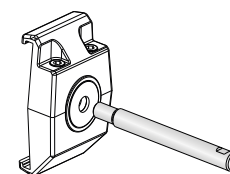
Example of application

## 351 Perno Rod / Bolzen

Delivery: **Easy** **Standard**



| Part | Article-Nr. | A   | B   |
|------|-------------|-----|-----|
| 351  | 35101       | 80  | M10 |
| 351  | 35102       | 100 | M10 |
| 351  | 35103       | 150 | M10 |
| 351  | 35151       | 80  | M8  |
| 351  | 35152       | 100 | M8  |
| 351  | 35153       | 150 | M8  |

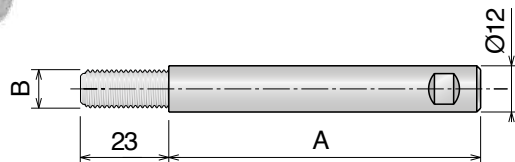


Used with Part:  
341 Pag 476 - 345 Pag 477  
3310 Pag 477

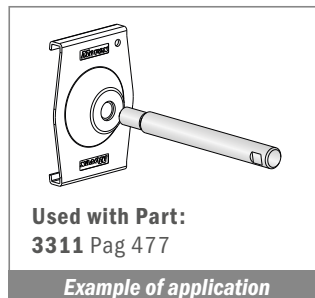
Example of application

## NEW 3004 Perno Rod / Bolzen

Delivery: **Easy** **Standard**

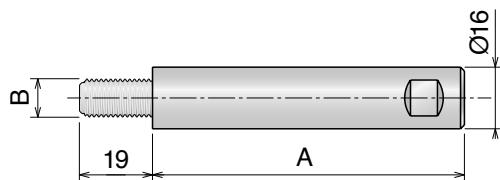


| Part | Article-Nr. | A   | B   |
|------|-------------|-----|-----|
| 3004 | 300401      | 80  | M10 |
| 3004 | 300402      | 100 | M10 |
| 3004 | 300403      | 150 | M10 |
| 3004 | 300451      | 80  | M8  |
| 3004 | 300452      | 100 | M8  |
| 3004 | 300453      | 150 | M8  |

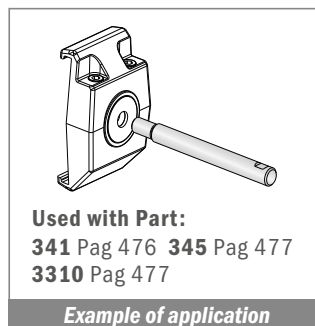


## 352 Perno Rod / Bolzen

Delivery: **Easy** **Standard**

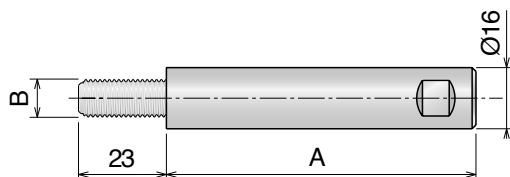


| Part | Article-Nr. | A   | B   |
|------|-------------|-----|-----|
| 352  | 35201       | 80  | M10 |
| 352  | 35202       | 100 | M10 |
| 352  | 35203       | 150 | M10 |
| 352  | 35251       | 80  | M8  |
| 352  | 35252       | 100 | M8  |
| 352  | 35253       | 150 | M8  |

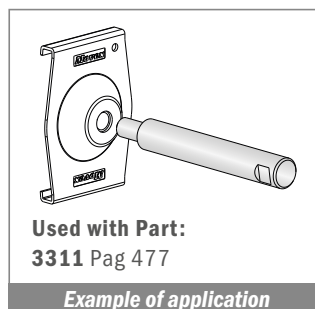


## NEW 3005 Perno Rod / Bolzen

Delivery: **Easy** **Standard**

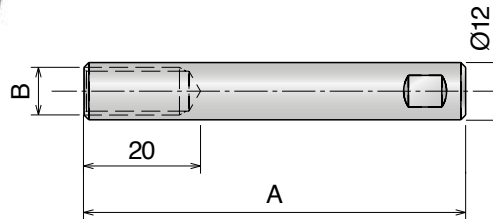


| Part | Article-Nr. | A   | B   |
|------|-------------|-----|-----|
| 3005 | 300501      | 80  | M10 |
| 3005 | 300502      | 100 | M10 |
| 3005 | 300503      | 150 | M10 |
| 3005 | 300551      | 80  | M8  |
| 3005 | 300552      | 100 | M8  |
| 3005 | 300553      | 150 | M8  |

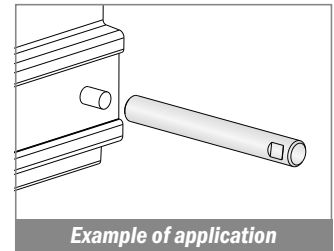


## 347 Perno filettato femmina Rod / Bolzen

Delivery: **Easy** **Standard**

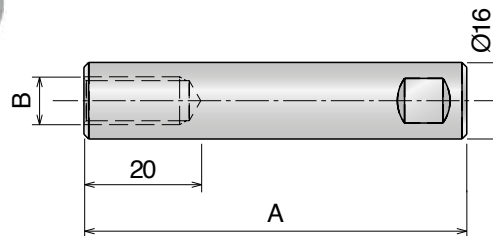


| Part | Article-Nr. | A   | B   |
|------|-------------|-----|-----|
| 347  | 34701       | 80  | M10 |
| 347  | 34702       | 100 | M10 |
| 347  | 34703       | 150 | M10 |
| 347  | 34751       | 80  | M8  |
| 347  | 34752       | 100 | M8  |
| 347  | 34753       | 150 | M8  |

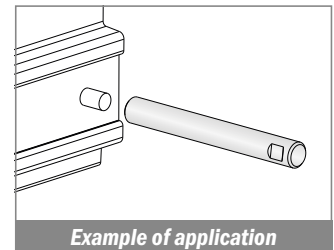


## 348 Perno filettato femmina Rod / Bolzen

Delivery: **Easy** **Standard**

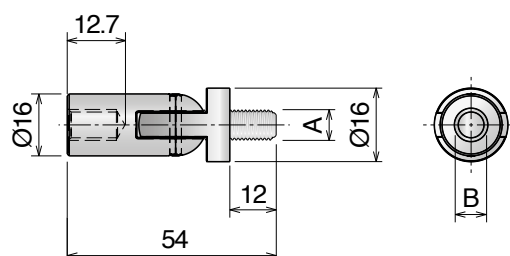


| Part | Article-Nr. | A   | B   |
|------|-------------|-----|-----|
| 348  | 34801       | 80  | M10 |
| 348  | 34802       | 100 | M10 |
| 348  | 34803       | 150 | M10 |
| 348  | 34851       | 80  | M8  |
| 348  | 34852       | 100 | M8  |
| 348  | 34853       | 150 | M8  |

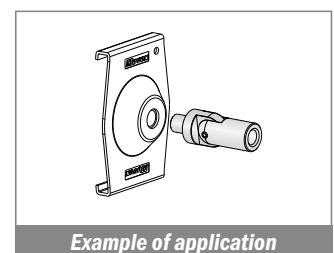


## 346 Snodo Joint rod adapter / Gelenk

Delivery: **Easy** **Standard**



| Part | Article-Nr. | A   | B   |
|------|-------------|-----|-----|
| 346  | 34699       | M8  | M8  |
| 346  | 34602       | M8  | M10 |
| 346  | 34603       | M10 | M10 |

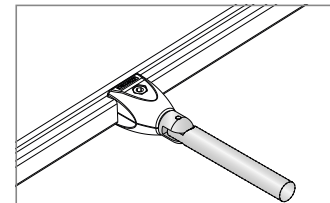
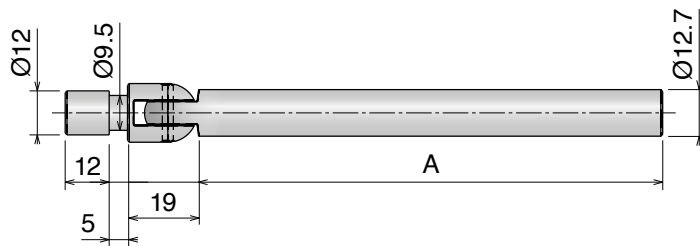




## 356 Perno snodato Jointed rods / Gelenkbolzen

Delivery: **Easy** **Standard**

| Part | Article-Nr. | A   |
|------|-------------|-----|
| 356  | 35601       | 80  |
| 356  | 35602       | 100 |
| 356  | 35603       | 150 |



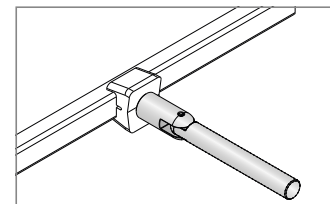
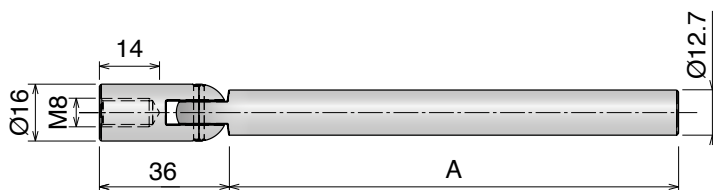
Used with Part:  
 324 Pag 470  
 337 Pag 473

Example of application

## 357 Perno snodato Jointed rods / Gelenkbolzen

Delivery: **Easy** **Standard**

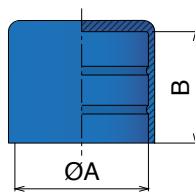
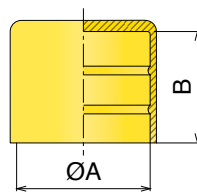
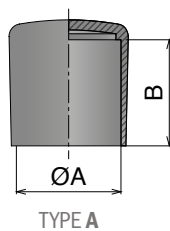
| Part | Article-Nr. | A   |
|------|-------------|-----|
| 357  | 35701       | 80  |
| 357  | 35702       | 100 |
| 357  | 35703       | 150 |



Example of application

## NEW 3011 Cappucci terminali End caps / Abdeckstopfen

Delivery: **Easy** **Standard**



| Part | Article-Nr. | ØA  | B    | Colour        | Type |
|------|-------------|-----|------|---------------|------|
| 3011 | 301101A     | Ø12 | 12,3 | Black         | A    |
| 3011 | 301102A     | Ø14 | 12,8 | Black         | A    |
| 3011 | 301103A     | Ø16 | 16,4 | Black         | A    |
| 3011 | 301104A     | Ø20 | 20,1 | Black         | A    |
| 3011 | 301101B     | Ø12 | 20   | Yellow        | B    |
| 3011 | 301102B     | Ø14 | 20   | Yellow        | B    |
| 3011 | 301103B     | Ø16 | 20   | Yellow        | B    |
| 3011 | 301104B     | Ø20 | 20   | Yellow        | B    |
| 3011 | 301101C     | Ø12 | 20   | Hygienic blue | C    |
| 3011 | 301102C     | Ø14 | 20   | Hygienic blue | C    |
| 3011 | 301103C     | Ø16 | 20   | Hygienic blue | C    |
| 3011 | 301104C     | Ø20 | 20   | Hygienic blue | C    |

**Materiale / Material / Materialien:**  
 Polietilene HMW-PE / Polyethylene HMW-PE / Polyethylen HMW-PE  
 Rulli: resina acetatica o gomma SEBS / Rollers: Acetal Resin or SEBS rubber / Röllchen: Azetal oder SEBS gummi

## 335 Guide a rulli laterale Roller guides / Röllchenführung

**PATENTED**

Max fixing load M8 screw: 15 N/m | Minimum internal and external radius: R305



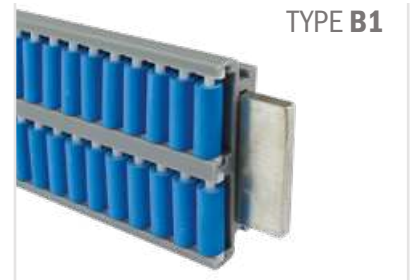
TYPE A

| Part | Article-Nr. | Type |
|------|-------------|------|
| 335  | 33502       | A    |



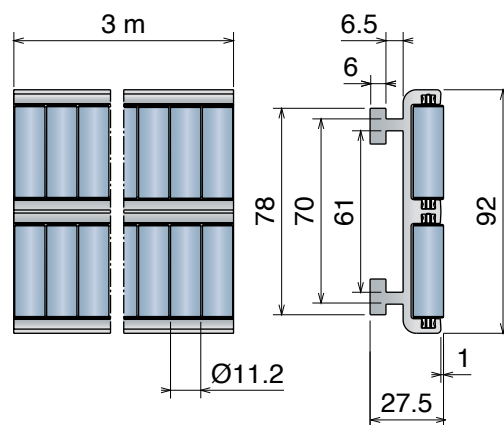
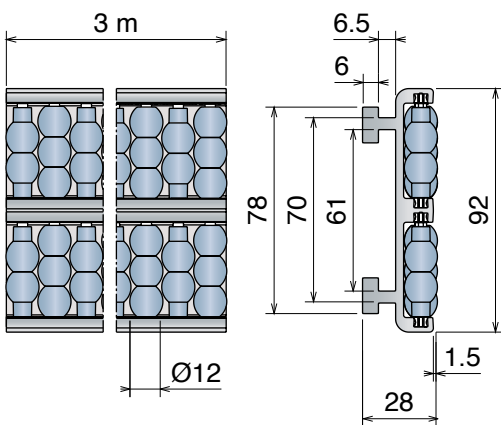
TYPE B

| Part | Article-Nr. | Type |
|------|-------------|------|
| 335  | 33504       | B    |



TYPE B1

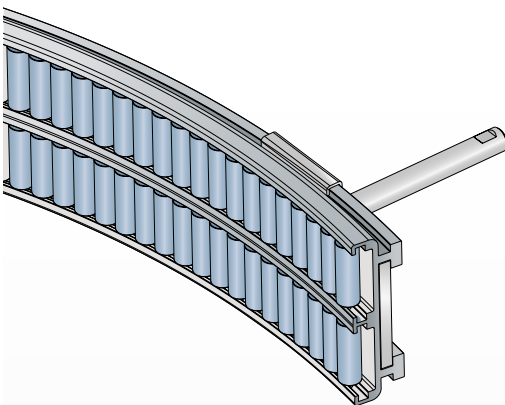
| Part | Article-Nr. | Type |
|------|-------------|------|
| 335  | 33506       | B1   |



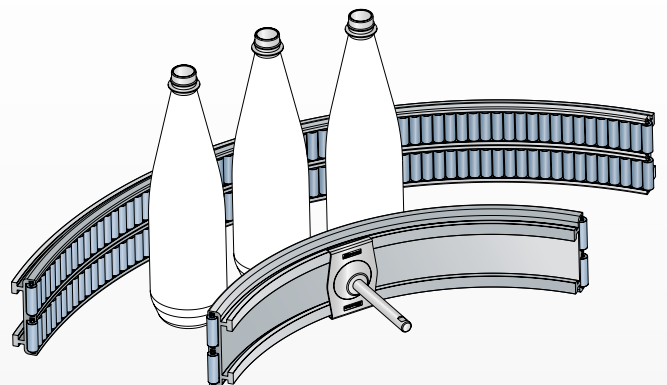
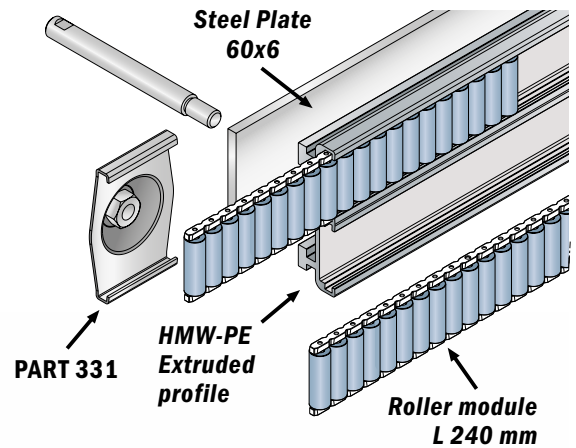
TYPE B1  
 Soft roller  
 SEBS rubber

### Advantages:

- ▶ Noise reduction
- ▶ Improved product stability



Available rollers  
 for bending machine



**Materiale / Material / Materialien:**

Guida: alluminio anodizzato / Guide: anodized aluminum / Führung: eloxiertem Aluminium  
 Rulli: resina acetilica o gomma SEBS / Rollers: Acetal Resin or SEBS rubber / Röllchen: Azetal oder SEBS gummi  
 Vite: Acciaio inox / Screw: Stainless steel / Schrauben: Edelstahl

# 358

## Guide a rulli laterale Roller guides / Röllchenführung

Delivery: **Easy** **Standard** Max fixing load M8 screw: 15 N/m



TYPE A

| Part | Article-Nr. | Type |
|------|-------------|------|
| 358  | 35802       | A    |



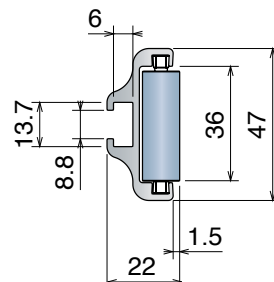
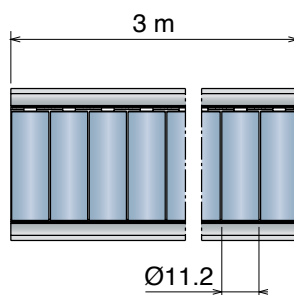
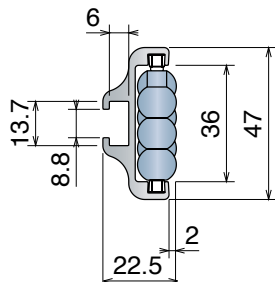
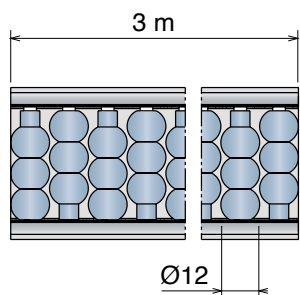
TYPE B

| Part | Article-Nr. | Type |
|------|-------------|------|
| 358  | 35804       | B    |



TYPE B1

| Part | Article-Nr. | Type |
|------|-------------|------|
| 358  | 35806       | B1   |



**TYPE B1**  
Soft roller  
SEBS rubber

**Roller**  
Pag 425



**Fixing screw:**  
M8 hex.head  
or **PART 362**  
Pag 493



## Puntale / Shoe / Einlaufschuh



| Part | Article-Nr. | Type                     |
|------|-------------|--------------------------|
| 364  | 36401       | fresato/machined/gefräst |

**Discover more options:**  
Pag 489/490

**Materiale / Material / Materialien:**

Guida: alluminio anodizzato/Guide: anodized aluminum/Führung: eloxiertem Aluminium

Rulli: resina acetica o gomma SEBS/Rollers: Acetal Resin or SEBS rubber/Röllchen: Azetal oder SEBS gummi

Vite: Acciaio inox/Screw: Stainless steel/Schrauben: Edelstahl

## 359 Guide a rulli laterale Roller guides / Röllchenführung

Delivery: **Easy** **Standard** Max fixing load M8 screw: 15 N/m



TYPE A

| Part | Article-Nr. | Type |
|------|-------------|------|
| 359  | 35902       | A    |



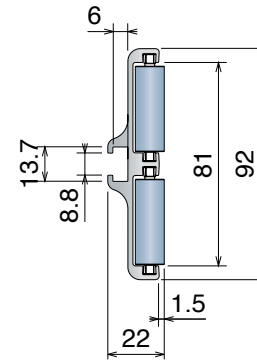
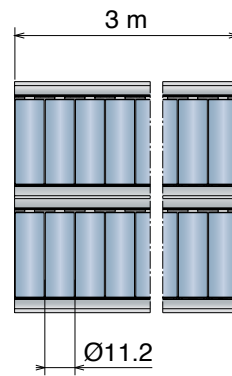
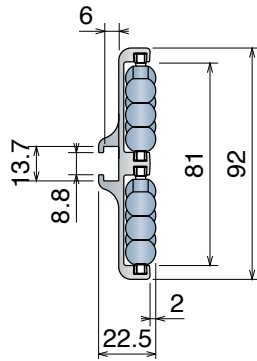
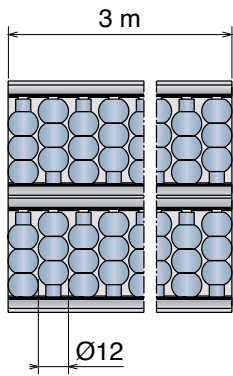
TYPE B

| Part | Article-Nr. | Type |
|------|-------------|------|
| 359  | 35904       | B    |



TYPE B1

| Part | Article-Nr. | Type |
|------|-------------|------|
| 359  | 35906       | B1   |



**TYPE B1**  
Soft roller  
SEBS rubber

**Roller**  
Pag 425



Fixing screw:  
M8 hex.head  
or **PART 362**  
Pag 493



## Puntale / Shoe / Einlaufschuh



| Part | Article-Nr. | Type                     |
|------|-------------|--------------------------|
| 365  | 36501       | fresato/machined/gefräst |

**Discover more options:**  
Pag 489/490

**Materiale / Material / Materialien:**

Guida: alluminio anodizzato / Guide: anodized aluminum / Führung: eloxiertem Aluminium  
 Rulli: resina acetica o gomma SEBS / Rollers: Acetal Resin or SEBS rubber / Röllchen: Azetal oder SEBS gummi

# 360

Guide a rulli intermedia  
 Roller guides / Röllchenführung

Delivery: **Easy** **Standard** Max fixing load M8 screw: 15 N/m



TYPE A

| Part | Article-Nr. | Type |
|------|-------------|------|
| 360  | 36002       | A    |



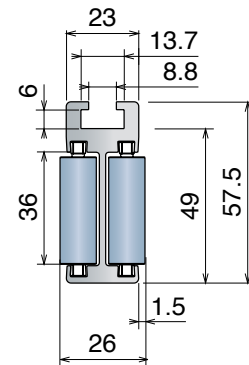
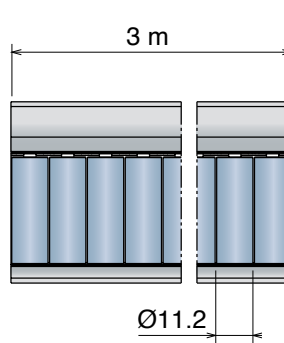
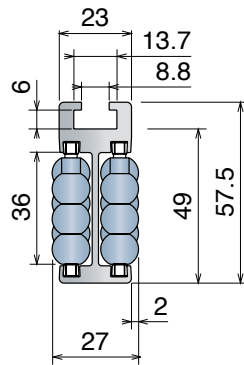
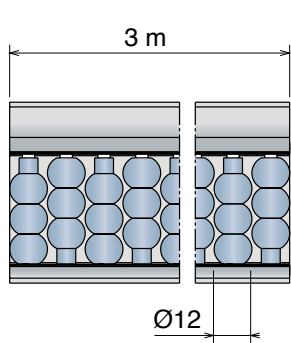
TYPE B

| Part | Article-Nr. | Type |
|------|-------------|------|
| 360  | 36004       | B    |



TYPE B1

| Part | Article-Nr. | Type |
|------|-------------|------|
| 360  | 36006       | B1   |



TYPE B1  
 Soft roller  
 SEBS rubber

Roller  
 Pag 425



Fixing screw:  
 M8 hex.head  
 or PART 362  
 Pag 493



## Puntale / Shoe / Einlaufschuh



| Part | Article-Nr. | Type                     |
|------|-------------|--------------------------|
| 366  | 36601       | fresato/machined/gefräst |

Discover more options:  
 Pag 489/490

**Materiale / Material / Materialien:**

Guida: alluminio anodizzato / Guide: anodized aluminum / Führung: eloxiertem Aluminium  
 Rulli: resina acetilica o gomma SEBS / Rollers: Acetal Resin or SEBS rubber / Röllchen: Azetal oder SEBS gummi

## 360 Guide a rulli intermedia Roller guides / Röllchenführung

**REINFORCED VERSION**

Max fixing load M8 screw: 15 N/m



TYPE A

| Part | Article-Nr. | Type |
|------|-------------|------|
| 360  | 36012       | A    |



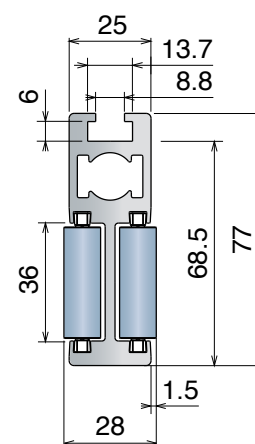
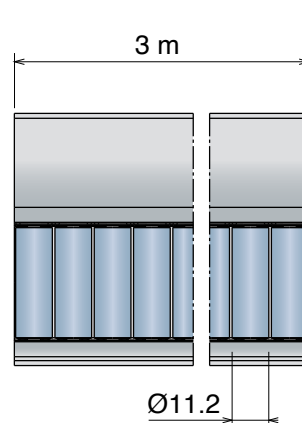
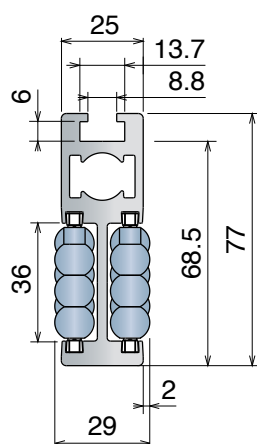
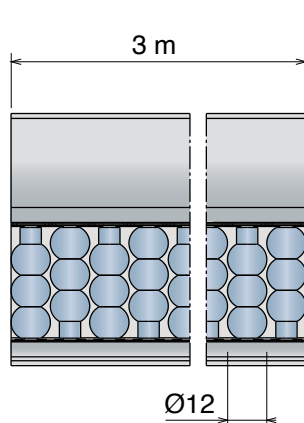
TYPE B

| Part | Article-Nr. | Type |
|------|-------------|------|
| 360  | 36014       | B    |



TYPE B1

| Part | Article-Nr. | Type |
|------|-------------|------|
| 360  | 36016       | B1   |



**TYPE B1**  
 Soft roller  
 SEBS rubber

**Roller**  
 Pag 425



**Fixing screw:**  
 M8 hex.head  
 or **PART 362**  
 Pag 493

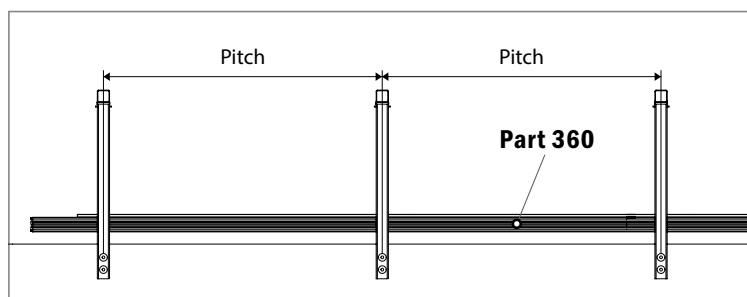


### Puntale / Shoe / Einlaufschuh



| Part | Article-Nr. | Type                     |
|------|-------------|--------------------------|
| 366  | 36601       | fresato/machined/gefräst |

Discover more options: Pag 489/490



**Part 360 Reinforced version** is a reliable roller guides solution, the new robust design permits less support elements and allows higher pitches.

Example of application

**Materiale / Material / Materialien:**

Guida: alluminio anodizzato / Guide: anodized aluminum / Führung: eloxiertem Aluminium  
 Rulli: resina acetilica o gomma SEBS / Rollers: Acetal Resin or SEBS rubber / Röllchen: Azetal oder SEBS gummi

## 361 Guide a rulli intermedia Roller guides / Röllchenführung

Delivery: **Easy** **Standard** Max fixing load M8 screw: 15 N/m



TYPE A

| Part | Article-Nr. | Type |
|------|-------------|------|
| 361  | 36102       | A    |



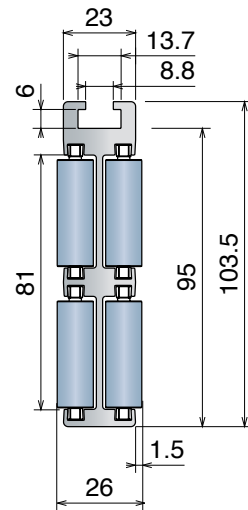
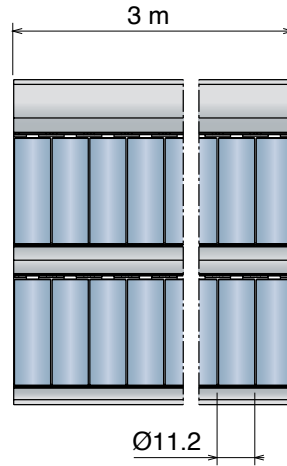
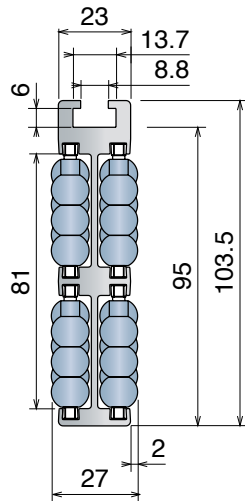
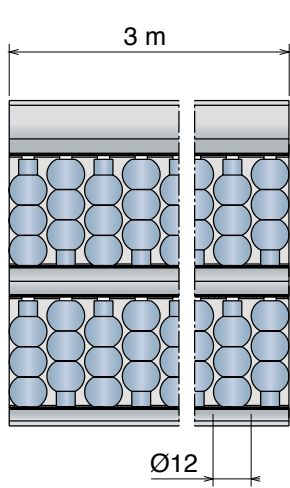
TYPE B

| Part | Article-Nr. | Type |
|------|-------------|------|
| 361  | 36104       | B    |



TYPE B1

| Part | Article-Nr. | Type |
|------|-------------|------|
| 361  | 36106       | B1   |



**TYPE B1**  
 Soft roller  
 SEBS rubber

**Roller**  
 Pag 425



**Fixing screw:**  
 M8 hex.head  
 or **PART 362**  
 Pag 493



## Puntale / Shoe / Einlaufschuh



| Part | Article-Nr. | Type                     |
|------|-------------|--------------------------|
| 367  | 36701       | fresato/machined/gefräst |

**Discover more options:**  
 Pag 489/490

**Materiale / Material / Materialien:**

Guida: alluminio anodizzato / Guide: anodized aluminum / Führung: eloxiertem Aluminium  
 Rulli: resina acetalica o gomma SEBS / Rollers: Acetal Resin or SEBS rubber / Röllchen: Azetel oder SEBS gummi

## 361 Guide a rulli intermedia Roller guides / Röllchenführung

**REINFORCED VERSION**

Delivery: **Easy** **Standard** Max fixing load M8 screw: 15 N/m



TYPE A

| Part | Article-Nr. | Type |
|------|-------------|------|
| 361  | 36112       | A    |



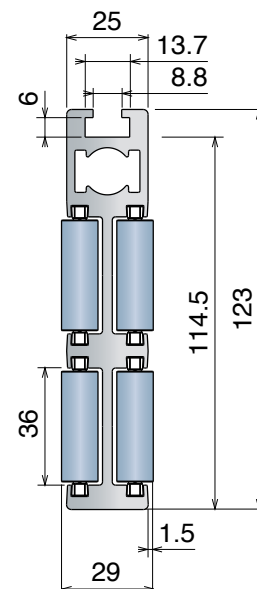
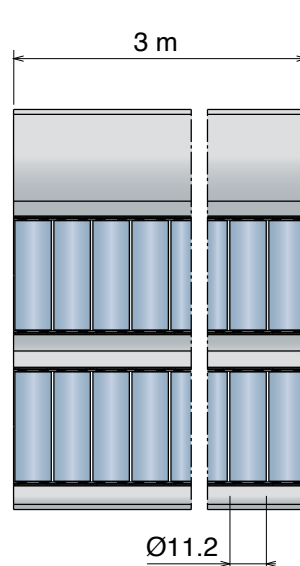
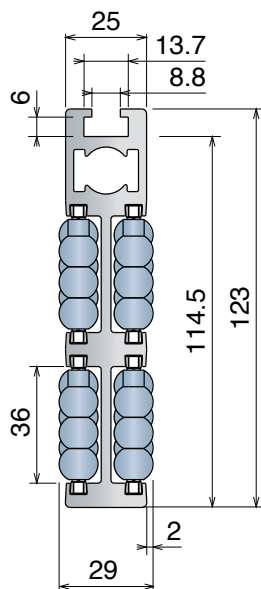
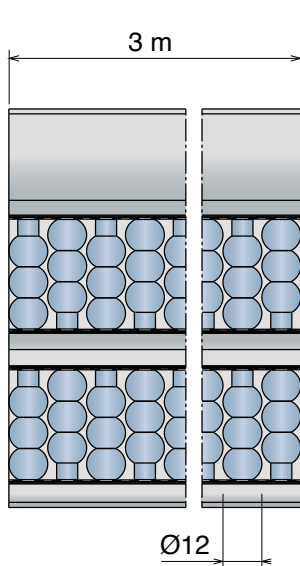
TYPE B

| Part | Article-Nr. | Type |
|------|-------------|------|
| 361  | 36114       | B    |



TYPE B1

| Part | Article-Nr. | Type |
|------|-------------|------|
| 361  | 36116       | B1   |



**TYPE B1**  
 Soft roller  
 SEBS rubber

**Roller**  
 Pag 425



**Fixing screw:**  
 M8 hex.head  
 or **PART 362**  
 Pag 493

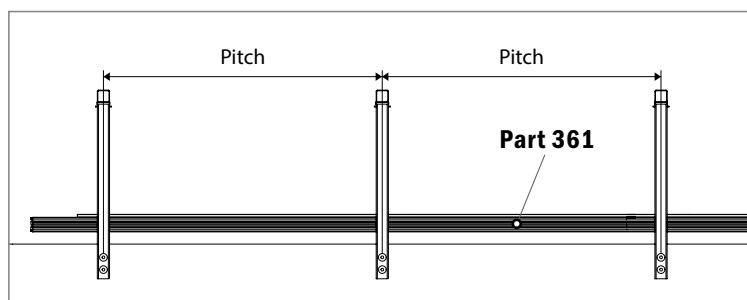


## Puntale / Shoe / Einlaufschuh



| Part | Article-Nr. | Type                     |
|------|-------------|--------------------------|
| 367  | 36701       | fresato/machined/gefräst |

Discover more options: Pag 489/490



**Part 361 Reinforced version** is a reliable roller guides solution, the new robust design allows less support elements and wider pitches.

Example of application



**Materiale / Material / Materialien:**

Rulli: Resina acetica / Rollers: Acetal Resin / Röllchen: Azetal

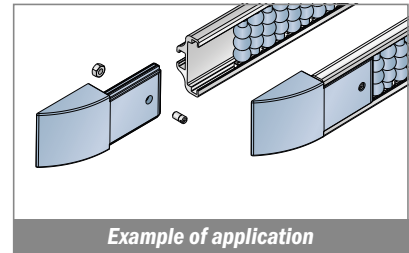
Grano: Acciaio inox / Grub Screws: Stainless steel / Gewindestift: Edelstahl

Dadi: ottone nichelato / Nuts: nickel plated brass / Mutter: Messing vernickelt

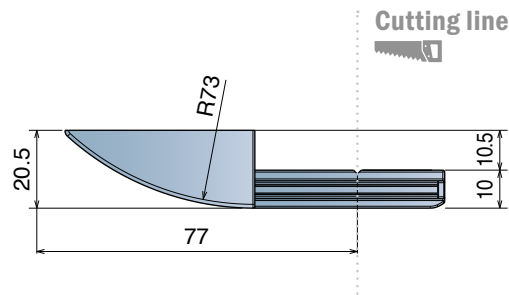
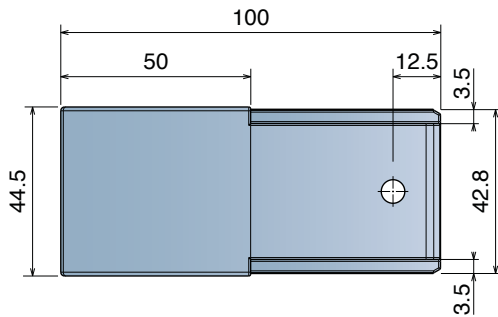
**364** Puntale  
Shoe / EinlaufschuhDelivery: **Easy** **Standard** Part 364 it is designed to allow the possibility to shorten it, if necessary.

Part Article-Nr. Grub screw

364 36411 M6

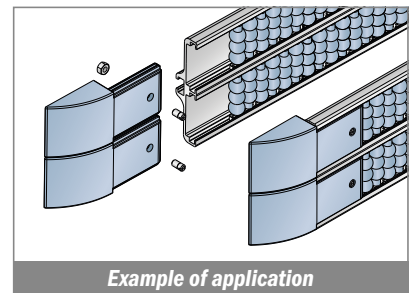


Example of application

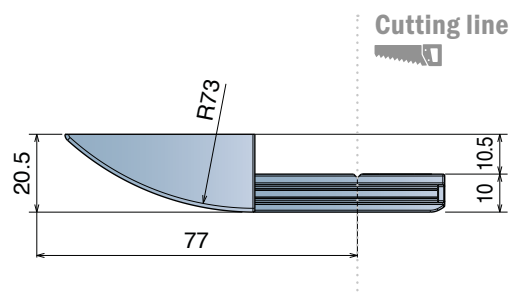
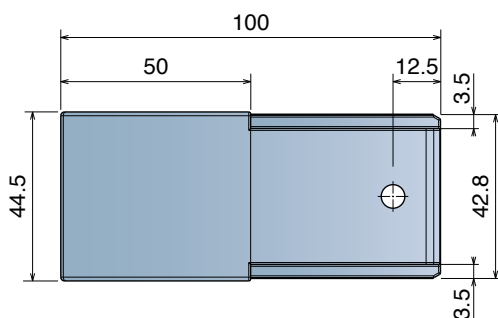
**365** Puntale  
Shoe / EinlaufschuhDelivery: **Easy** **Standard** Part 365 it is designed to allow the possibility to shorten it, if necessary.

Part Article-Nr. Grub screw

365 36511 M6



Example of application



**Materiale / Material / Materialien:**

Rulli: Resina acetlica / Rollers: Acetal Resin / Röllchen: Azetal

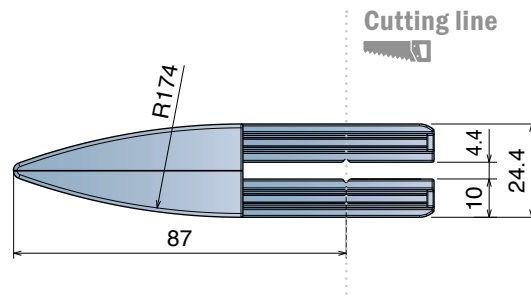
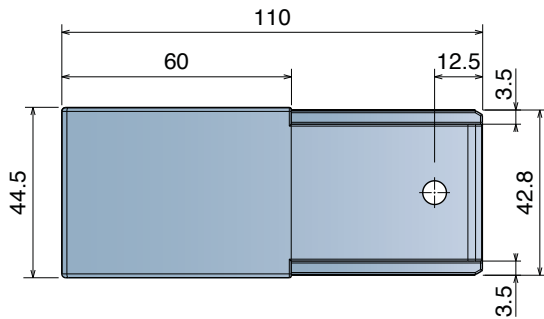
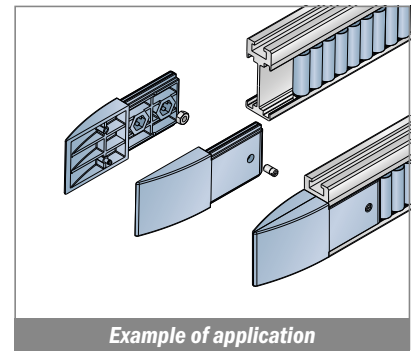
Grano: Acciaio inox/Grub Screws: Stainless steel/Gewindestift: Edelstahl

Dadi: ottone nichelato/Nuts: nickel plated brass/Mutter: Messing vernickelt

## 366 Puntale Shoe / Einlaufschuh

Delivery: **Easy** **Standard** Part 366 it is designed to allow the possibility to shorten it, if necessary.

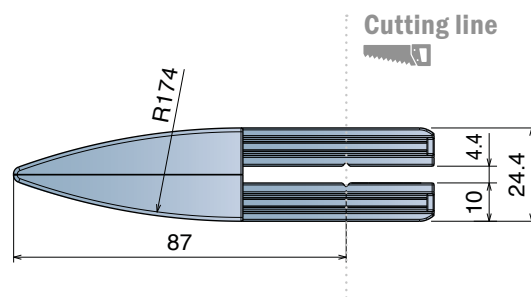
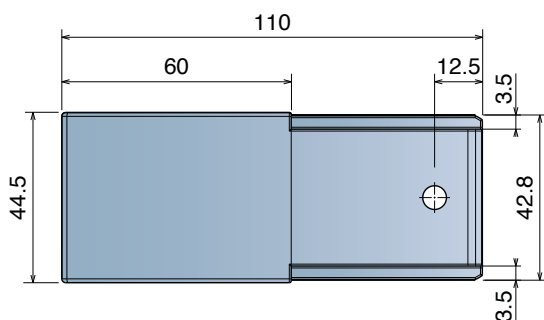
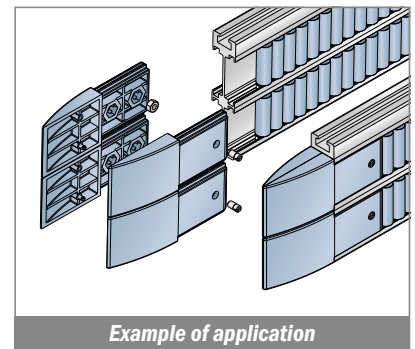
| Part | Article-Nr. | Grub screw |
|------|-------------|------------|
| 366  | 36611       | M6         |



## 367 Puntale Shoe / Einlaufschuh

Delivery: **Easy** **Standard** Part 367 it is designed to allow the possibility to shorten it, if necessary.

| Part | Article-Nr. | Grub screw |
|------|-------------|------------|
| 367  | 36711       | M6         |



**Materiale / Material / Materialien:** Puntale: PE HD/Shoe: PE HD/Corpus: PE HD  
 Perni: acciaio inox/Pins: SS/Bolzen: Edelstahl  
 Rulli: resina acetica o gomma SEBS/Rollers: Acetal Resin or SEBS rubber  
 Röllchen: Azetal oder SEBS gummi

# 366-367

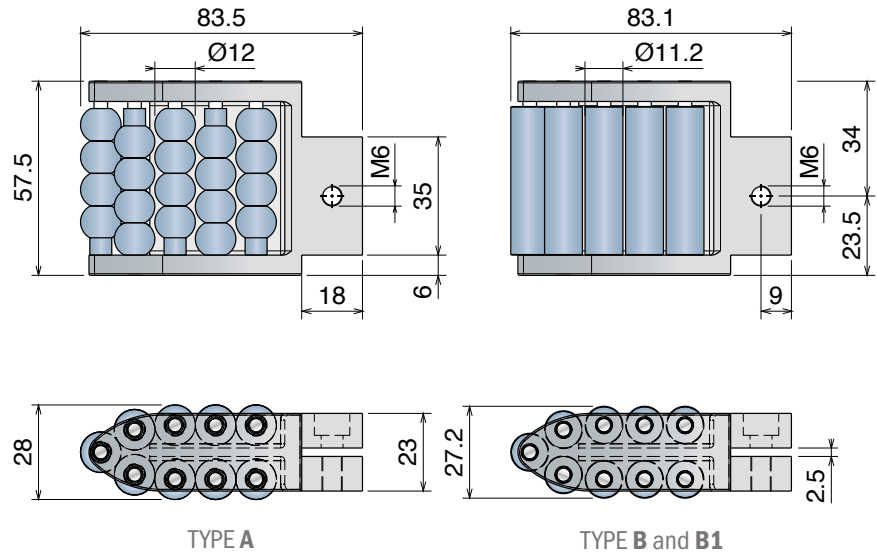
Componenti / Conveyor components / Komponenten

## 366 Puntale centrale a rulli Central roller shoe / Einlaufschuh

**PATENTED**



| Part | Article-Nr. | Type                    |
|------|-------------|-------------------------|
| 366  | 36621       | A - Acetal resin roller |
| 366  | 36622       | B - Acetal resin roller |
| 366  | 36623       | B1 - Soft roller SEBS   |

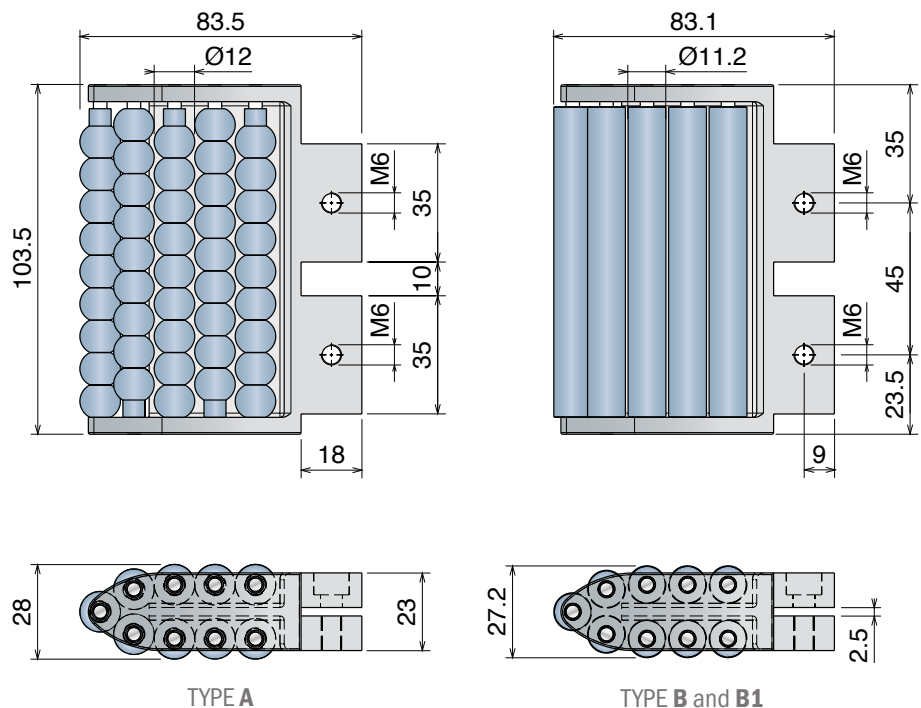


## 367 Puntale centrale a rulli Central roller shoe / Einlaufschuh

**PATENTED**



| Part | Article-Nr. | Type                    |
|------|-------------|-------------------------|
| 367  | 36721       | A - Acetal resin roller |
| 367  | 36722       | B - Acetal resin roller |
| 367  | 36723       | B1 - Soft roller SEBS   |



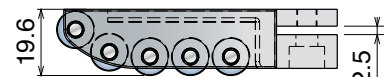
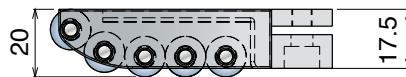
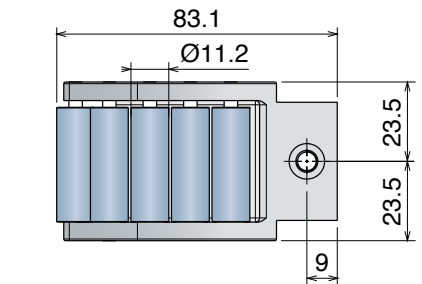
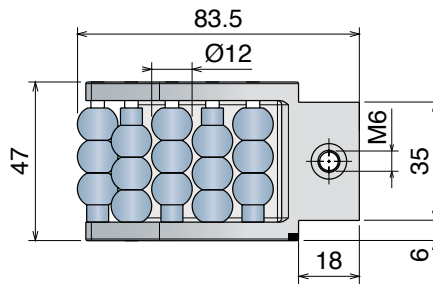
## 364 Puntale laterale a rulli Side roller shoe / Einlaufschuh

**PATENTED**



**TYPE B1**  
Soft roller  
SEBS rubber

| Part | Article-Nr. | Type                    |
|------|-------------|-------------------------|
| 364  | 36421       | A - Acetal resin roller |
| 364  | 36422       | B - Acetal resin roller |
| 364  | 36423       | B1 - Soft roller SEBS   |



TYPE A

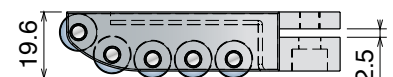
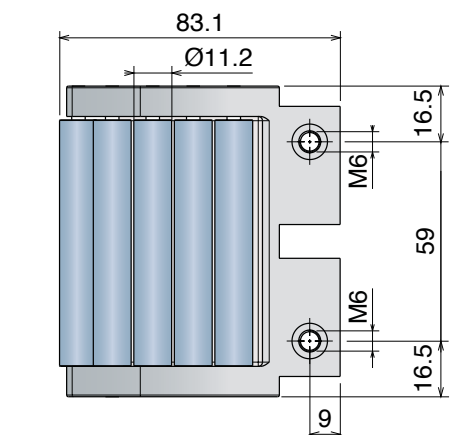
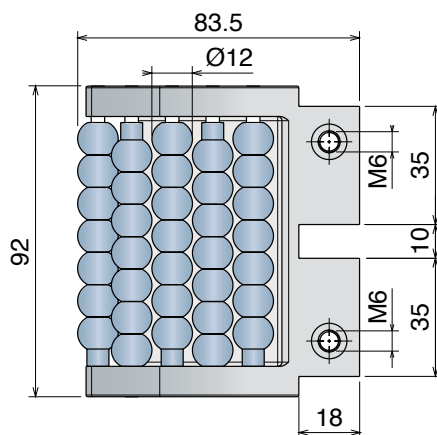
TYPE B and B1

## 365 Puntale laterale a rulli Side roller shoe / Einlaufschuh

**PATENTED**



| Part | Article-Nr. | Type                    |
|------|-------------|-------------------------|
| 365  | 36521       | A - Acetal resin roller |
| 365  | 36522       | B - Acetal resin roller |
| 365  | 36523       | B1 - Soft roller SEBS   |



TYPE A

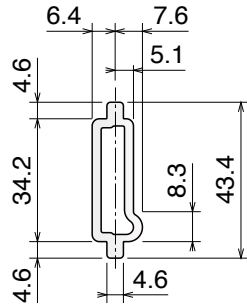
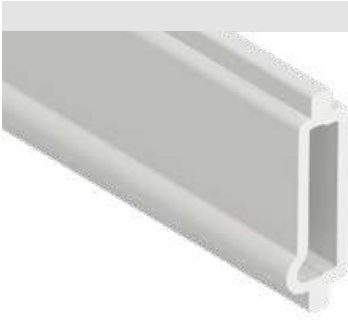
TYPE B and B1

**Materiale / Material / Materialien:**  
 Profilo: PE / Profile: PE / Profil: PE  
 Guide: alluminio anodizzato / Guide: anodized aluminum  
 Führung: eloxiertem Aluminium

# 395-362-333-358/359/360/361

Componenti / Conveyor components / Komponenten

## 395 Guida laterale in PE PE side guides / Seitenführung in PE



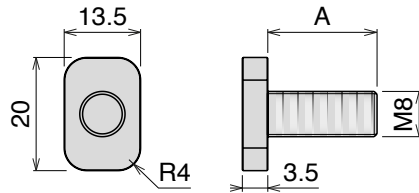
| Part | Article-Nr. | L   |
|------|-------------|-----|
| 395  | 39501       | 3 m |



Example of application

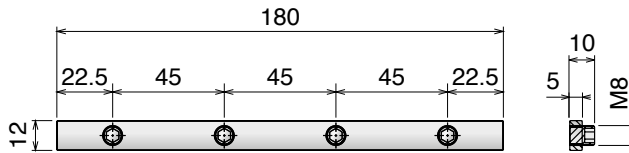
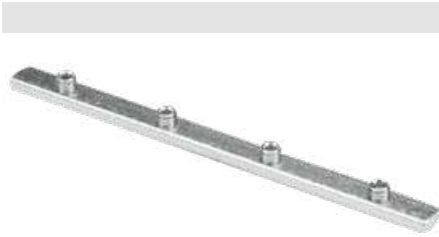
## 362 Vite a "T" T-bolt / T-Schraube

Delivery: **Easy** **Standard** Used with Part 154/155/159/164/165/358/359/360/361/1055/1088/1089



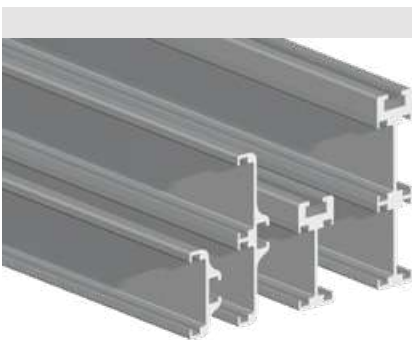
| Part | Article-Nr. | A  |
|------|-------------|----|
| 362  | 36201       | 16 |
| 362  | 36202       | 19 |
| 362  | 36203       | 25 |

## 333 Elemento di giunzione Connecting elements / Verbindungselement

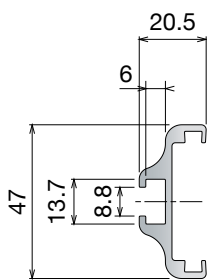
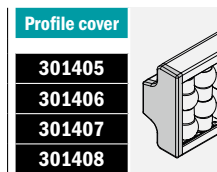


| Part | Article-Nr. |
|------|-------------|
| 333  | 33301       |

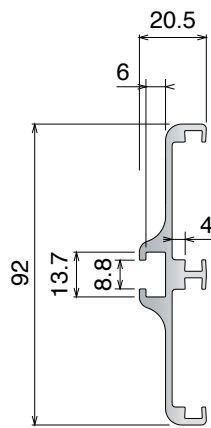
## NEW 358/359/360/361 Guide in alluminio Aluminum guides / Aluminiumführung



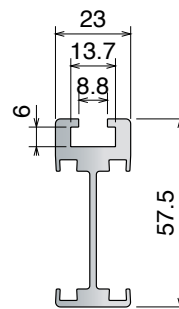
| Part | Article-Nr. | Version        | Min. radius | Supply | Profile cover |
|------|-------------|----------------|-------------|--------|---------------|
| 358  | 35800       | Single-lateral | 250         | 3 m    | 301405        |
| 359  | 35900       | Double-lateral | 500         | 3 m    | 301406        |
| 360  | 36000       | Single-central | 500         | 3 m    | 301407        |
| 361  | 36100       | Double-central | 750         | 3 m    | 301408        |



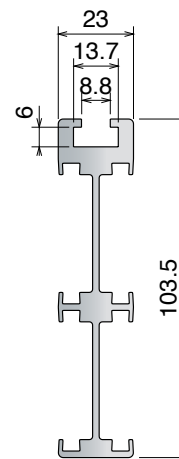
35800



35900



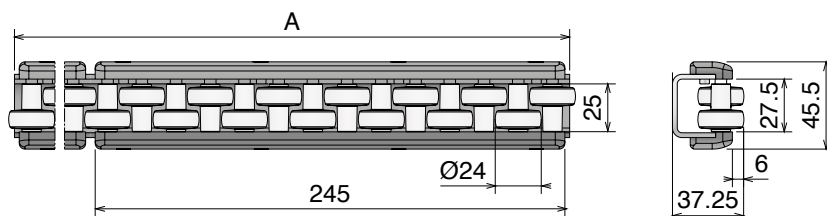
36000



36100

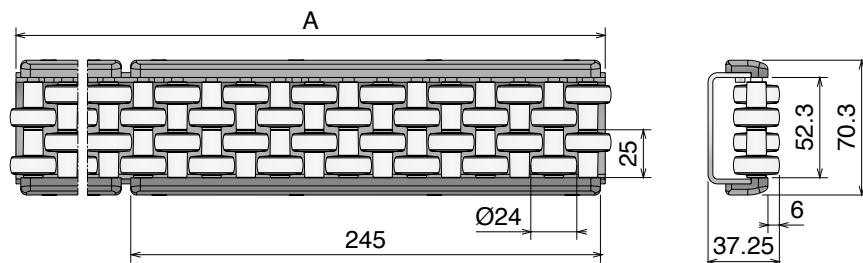
## 353 Guide a rulli di accumulo Accumulation roller guides / Stauröllchenführung

| Delivery: | Easy | Standard | Part | Article-Nr. | A   | Pin | Pin Ø |
|-----------|------|----------|------|-------------|-----|-----|-------|
|           |      |          | 353  | 35301       | 1 m | PA  | 6 mm  |
|           |      |          | 353  | 35302       | 2 m | PA  | 6 mm  |
|           |      |          | 353  | 35303       | 3 m | PA  | 6 mm  |



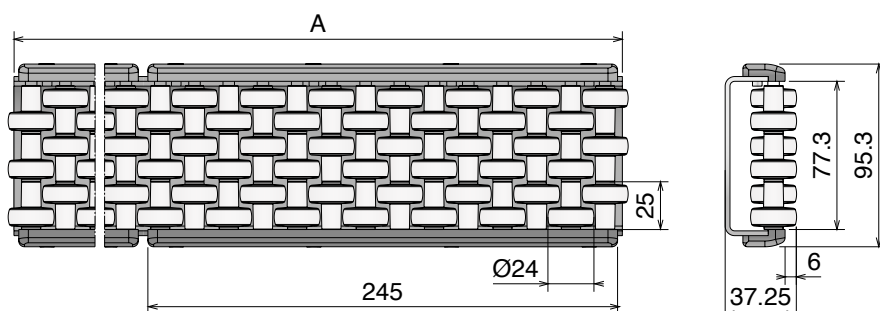
## 354 Guide a rulli di accumulo Accumulation roller guides / Stauröllchenführung

| Delivery: | Easy | Standard | Part | Article-Nr. | A   | Pin | Pin Ø |
|-----------|------|----------|------|-------------|-----|-----|-------|
|           |      |          | 354  | 35401       | 1 m | PA  | 6 mm  |
|           |      |          | 354  | 35402       | 2 m | PA  | 6 mm  |
|           |      |          | 354  | 35403       | 3 m | PA  | 6 mm  |



## 355 Guide a rulli di accumulo Accumulation roller guides / Stauröllchenführung

| Delivery: | Easy | Standard | Part | Article-Nr. | A   | Pin | Pin Ø |
|-----------|------|----------|------|-------------|-----|-----|-------|
|           |      |          | 355  | 35501       | 1 m | SS  | 6 mm  |
|           |      |          | 355  | 35502       | 2 m | SS  | 6 mm  |
|           |      |          | 355  | 35503       | 3 m | SS  | 6 mm  |



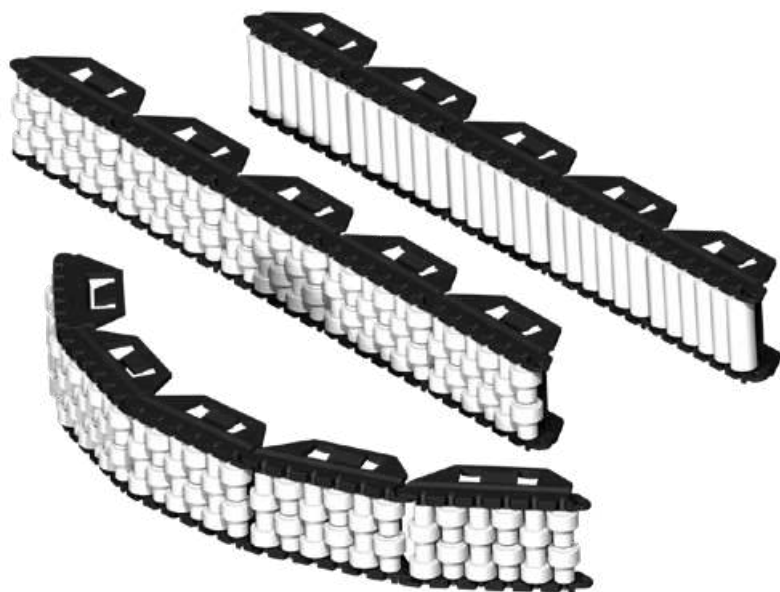
**Material:** Resina acetalica / Acetal Resin / Azetal or **BluLub**.  
 Polyethylene UHMW-PE with reduced coefficient of friction and higher wear resistance.  
 BluLub complies with the code of Federal Regulations of FDA. Linear expansion coefficient:  
 $1.1 \times 10^{-4} \text{ } ^\circ\text{F}^{-1}$  ( $2 \times 10^{-4} \text{ } ^\circ\text{C}^{-1}$ ) Operating temperature: -40 to 176 °F (-40 to +80 °C)

## 363 Guida a rulli flessibile Flexible roller guide / Flexible Röllchenführung

### RANGE EXTENSION

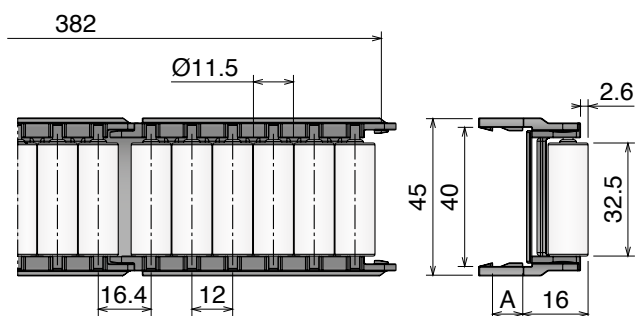
Delivery: **Easy** **Standard**

| Part | Article-Nr. | Type | A  | Colour |
|------|-------------|------|----|--------|
| 363  | 36301       | A    | 8  | White  |
| 363  | 36302       | B    | 8  | White  |
| 363  | 36303       | A    | 10 | White  |
| 363  | 36304       | B    | 10 | White  |
| 363  | 36305       | A    | 8  | BluLub |
| 363  | 36306       | A    | 10 | BluLub |

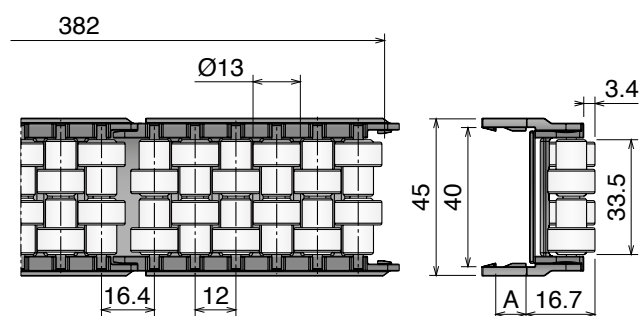


Try with...  
**BluLub**  
 Rollers!

- Lower wear
- Noise reduction
- Improved product stability
- Lower coefficient of friction
- Less energy consumption

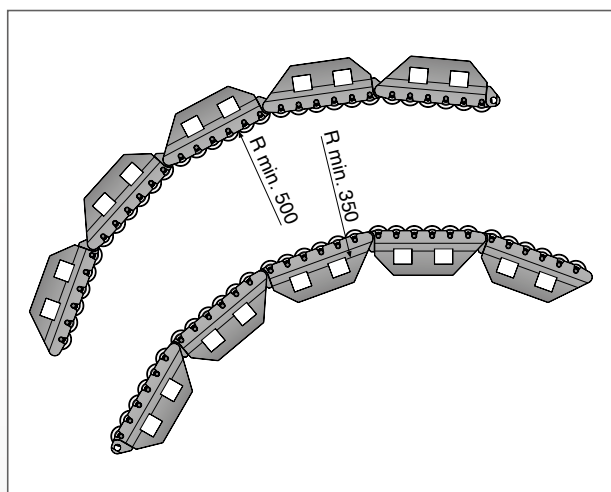


TYPE A

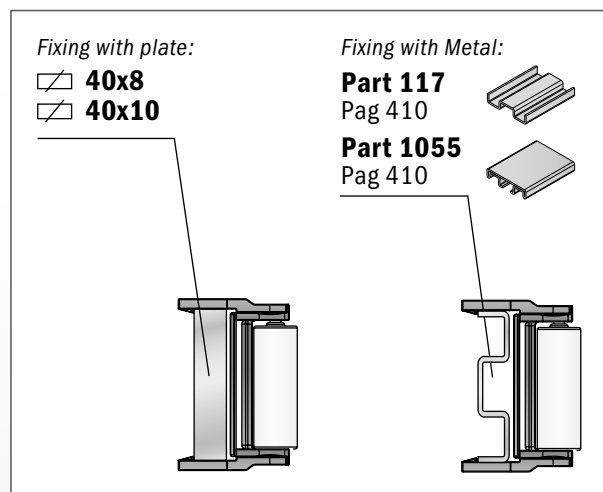


TYPE B

### Curvature radius



### Fixing with plate and metal profile



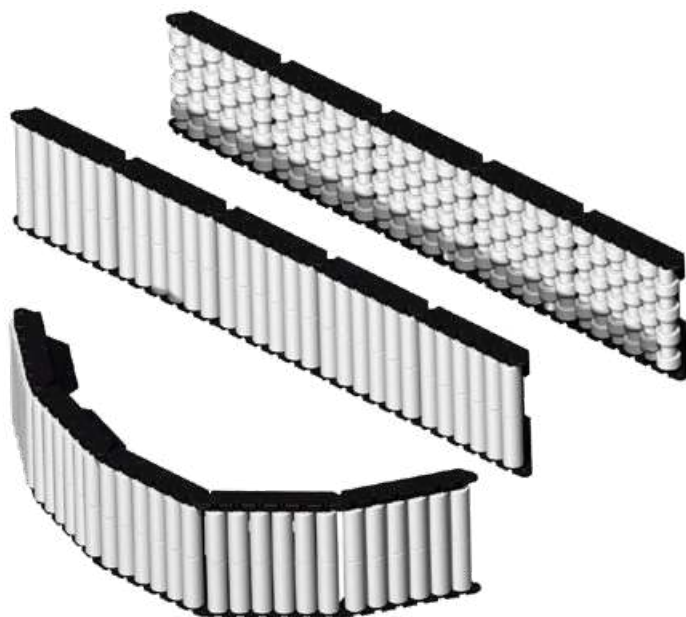
**Material:** Resina acetica / Acetal Resin / Azetal or **BluLub**.  
 Polyethylene UHMW-PE with reduced coefficient of friction and higher wear resistance.  
 BluLub complies with the code of Federal Regulations of FDA. Linear expansion coefficient:  
 $1.1 \times 10^{-4} \text{ } ^\circ\text{F}^{-1}$  ( $2 \times 10^{-4} \text{ } ^\circ\text{C}^{-1}$ ) Operating temperature: -40 to 176 °F (-40 to +80 °C)

## 396 Guida a rulli flessibile Flexible roller guide / Flexible Röllchenführung

**RANGE EXTENSION**

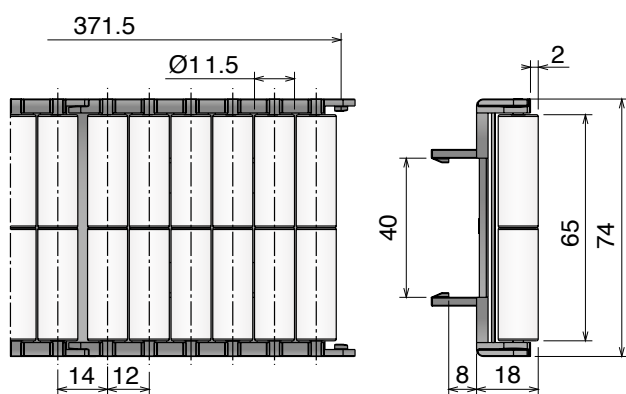
Delivery: **Easy** **Standard**

| Part | Article-Nr. | Type | Colour |
|------|-------------|------|--------|
| 396  | 39601       | A    | White  |
| 396  | 39602       | B    | White  |
| 396  | 39603       | A    | BluLub |

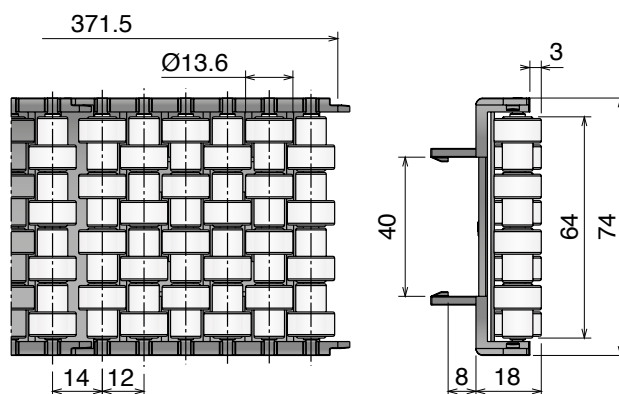


Try with...  
**BluLub®  
 Rollers!**

- Lower wear
- Noise reduction
- Improved product stability
- Lower coefficient of friction
- Less energy consumption

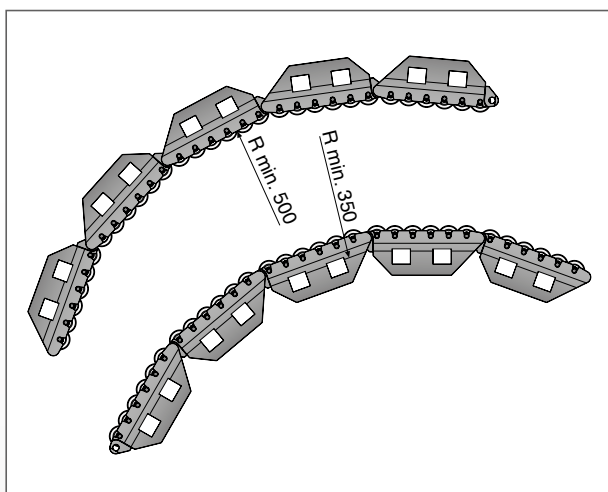


TYPE A

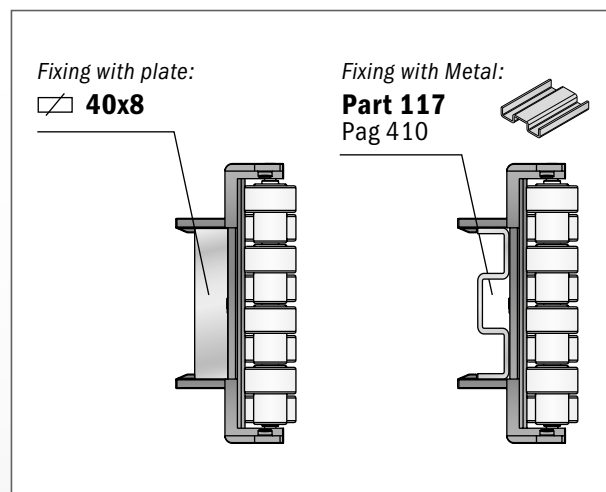


TYPE B

### Curvature radius



### Fixing with plate and metal profile





**Material:** Resina acetalica / Acetal Resin / Azetal or **BluLub®**.  
 Polyethylene UHMW-PE with reduced coefficient of friction and higher wear resistance.  
 BluLub complies with the code of Federal Regulations of FDA. Linear expansion coefficient:  
 $1.1 \times 10^{-4} \text{ } ^\circ\text{F}^{-1}$  ( $2 \times 10^{-4} \text{ } ^\circ\text{C}^{-1}$ ) Operating temperature: -40 to 176 °F (-40 to +80 °C)

# 363 Guida a rulli flessibile (centrale)

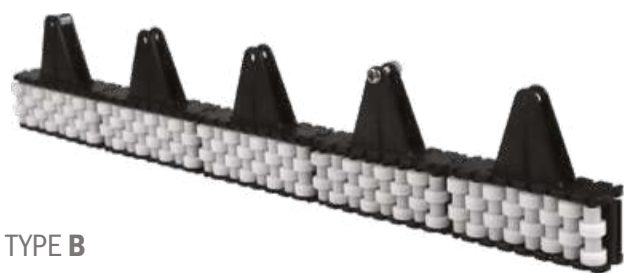
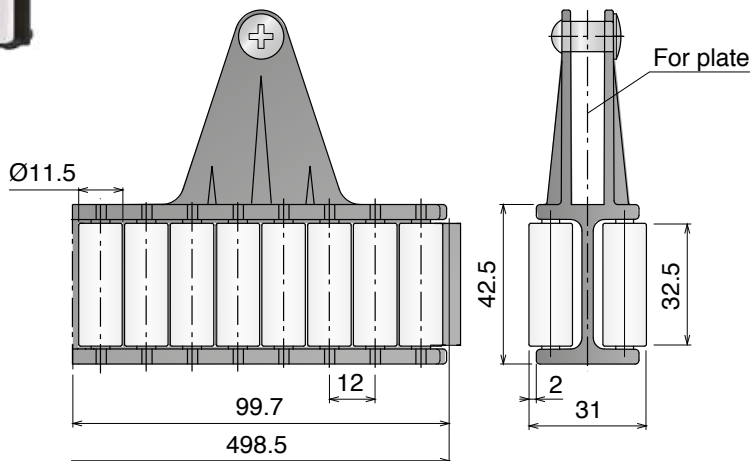
## Flexible roller guide (Centre) / Flexible Röllchenführung (Zentral)

Delivery: **Easy** **Standard** Can also be used with Part 117 Pag 410 - Part 1055 Pag 410

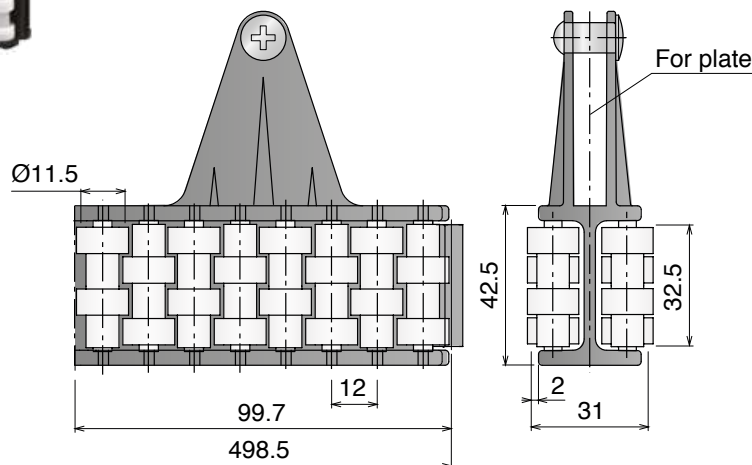
| Part | Article-Nr. | Type | For plate | Colour |
|------|-------------|------|-----------|--------|
| 363  | 36313       | A    | 40x8      | White  |
| 363  | 36311       | B    | 40x10     | White  |
| 363  | 36314       | A    | 40x8      | White  |
| 363  | 36312       | B    | 40x10     | White  |



TYPE A

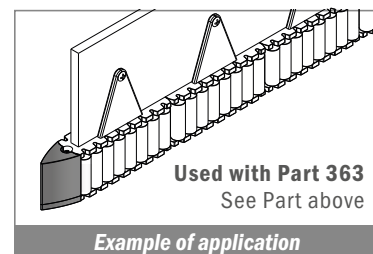
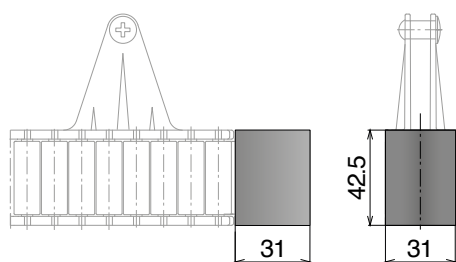


TYPE B



### Puntale / Shoe / Einlaufschuh

| Part | Article-Nr. | For Type |
|------|-------------|----------|
| 363  | 36399       | A & B    |



## 199/299 Blocco di montaggio catena Chain mounting block / Kettenmontageblock

Delivery: **Easy** Standard



| Part | Article-Nr. |
|------|-------------|
|------|-------------|

|            |              |
|------------|--------------|
| <b>199</b> | <b>19980</b> |
|------------|--------------|

**For steel chain:**

812/815 (GT)

881 M (GT)

**and plastic chain:**

820 (GT)

831

| Part | Article-Nr. |
|------|-------------|
|------|-------------|

|            |              |
|------------|--------------|
| <b>199</b> | <b>19981</b> |
|------------|--------------|

**For steel chain:**

8157 (GT)

8857 M (GT/LBP)

**and plastic chain:**

8257 (GT/LBP)

8857 (GT/LBP)

882 Bevel

| Part | Article-Nr. |
|------|-------------|
|------|-------------|

|            |              |
|------------|--------------|
| <b>199</b> | <b>19982</b> |
|------------|--------------|

**For steel chain:**

812/815 (GT)

881 M (GT)

**and plastic chain:**

828 (GT/LBP)

880 M

880 Bevel

879 M

879 Bevel

| Part | Article-Nr. |
|------|-------------|
|------|-------------|

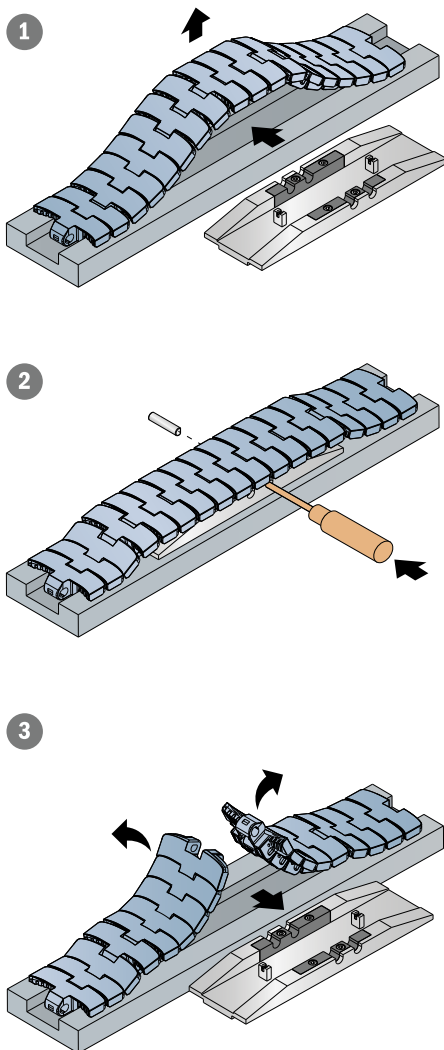
|            |              |
|------------|--------------|
| <b>299</b> | <b>29978</b> |
|------------|--------------|

**For sideflexing  
belt/ chain:**

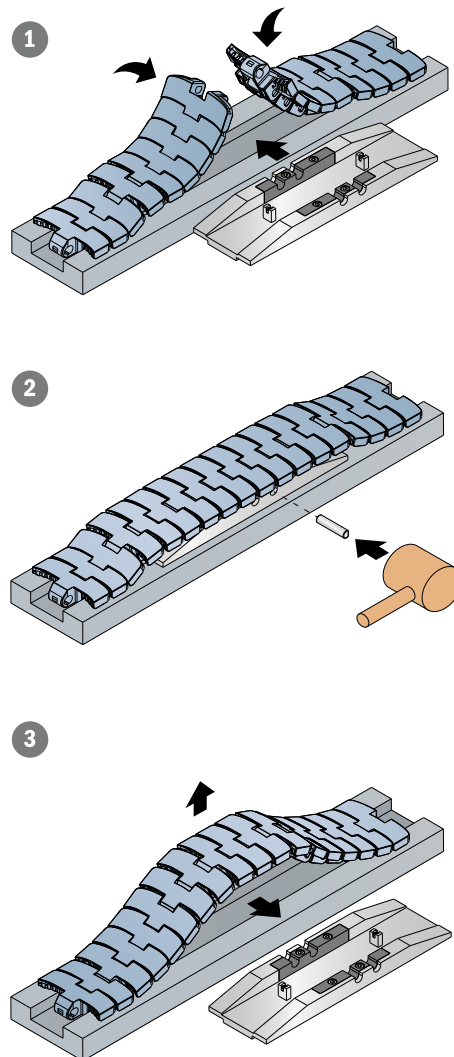
260 M (FT/FG)

261 M (FT)

### Disassembling mode:



### Assembling mode:



**Materiale / Material / Materialien:**

Modulo: resina acetica/Module: acetal resin/Module: Azetal

Perni, viti e dadi: Acciaio inox/Pins, screws and nuts: Stainless steel/Bolzen, Schraube und Mutter: Edelstahl

Rulli: resina acetica o acciaio inox/Rollers: acetal resin or stainless steel/Röllchen: Azetal oder Edelstahl

## 368 Moduli di trasferimento L=85 mm Transfer modules L=85 mm / Überschubmodul L=85 mm

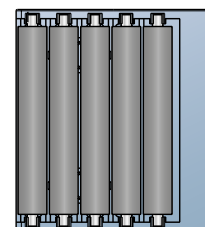
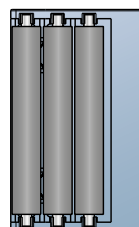
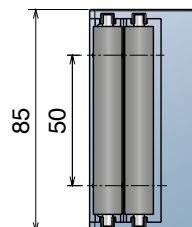
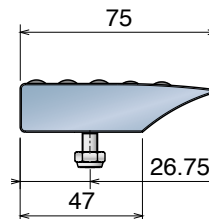
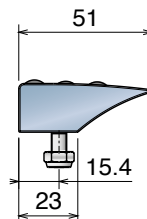
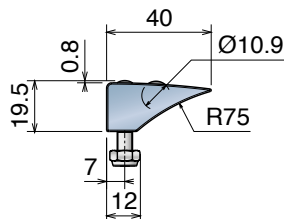
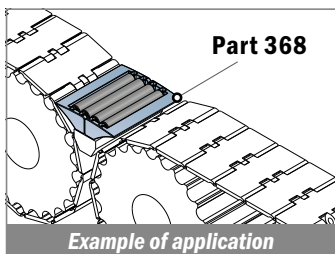
**NOW ALSO WITH PFX ROLLERS**

Delivery: **Easy** Standard

| Part | Article-Nr. | Type | Roller material |
|------|-------------|------|-----------------|
| 368  | 36801       | A    | Acetal resin    |
| 368  | 36802       | B    | Acetal resin    |
| 368  | 36803       | C    | Acetal resin    |
| 368  | 36801PFX    | A    | <b>PFX</b>      |
| 368  | 36802PFX    | B    | <b>PFX</b>      |
| 368  | 36803PFX    | C    | <b>PFX</b>      |
| 368  | 36801SS     | A    | Stainless steel |
| 368  | 36802SS     | B    | Stainless steel |
| 368  | 36803SS     | C    | Stainless steel |



**Smart roller**  
with mini bearings  
in stainless steel



TYPE A

TYPE B

TYPE C

## 369 Moduli di trasferimento L=115 mm Transfer modules L=115 mm / Überschubmodul L=115 mm

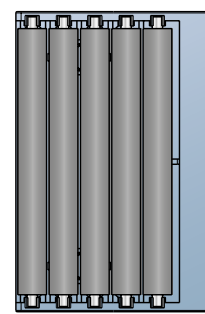
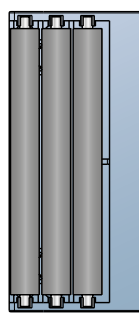
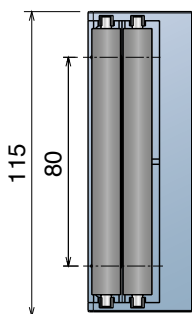
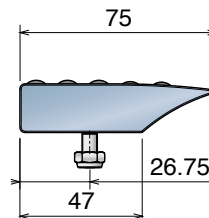
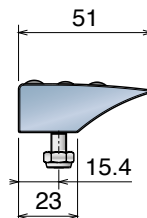
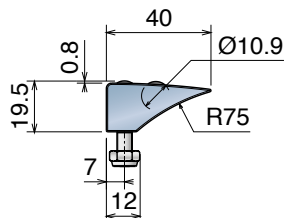
**NOW ALSO WITH PFX ROLLERS**

Delivery: **Easy** Standard

| Part | Article-Nr. | Type | Roller material |
|------|-------------|------|-----------------|
| 369  | 36901       | A    | Acetal resin    |
| 369  | 36902       | B    | Acetal resin    |
| 369  | 36903       | C    | Acetal resin    |
| 369  | 36901PFX    | A    | <b>PFX</b>      |
| 369  | 36902PFX    | B    | <b>PFX</b>      |
| 369  | 36903PFX    | C    | <b>PFX</b>      |
| 369  | 36901SS     | A    | Stainless steel |
| 369  | 36902SS     | B    | Stainless steel |
| 369  | 36903SS     | C    | Stainless steel |



**Smart roller**  
with mini bearings  
in stainless steel



TYPE A

TYPE B

TYPE C

# 370-371

Componenti / Conveyor components / Komponenten

Materiali / Material / Materialien:

Modulo: resina acetica / Module: acetal resin / Module: Azetal

Perni, viti e dadi: Acciaio inox / Pins, screws and nuts: Stainless steel / Bolzen, Schraube und Mutter: Edelstahl

Rulli: resina acetica o acciaio inox / Rollers: acetal resin or stainless steel / Rollen: Azetal oder Edelstahl

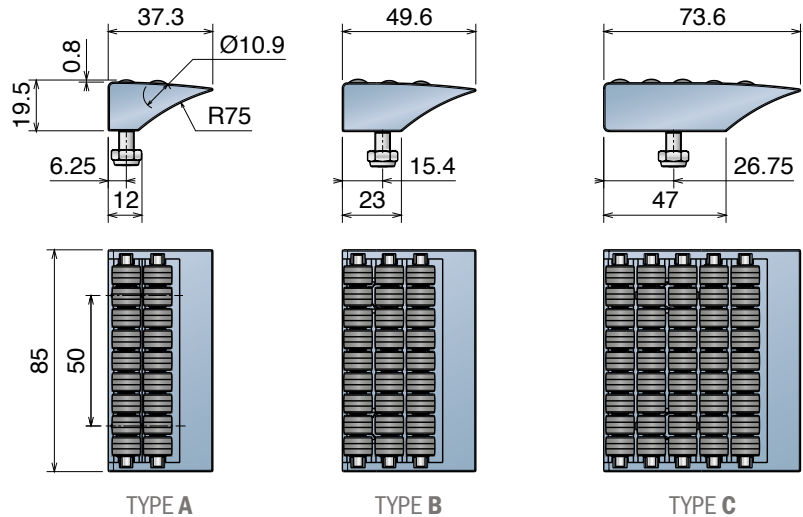
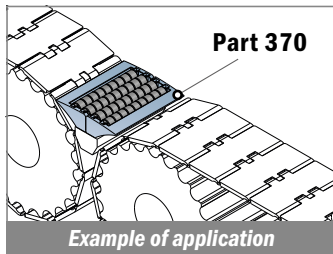
## 370 Moduli di trasferimento L=85 mm Transfer modules L=85 mm / Überschubmodul L=85 mm

NOW ALSO WITH PFX ROLLERS

Delivery: **Easy** **Standard**



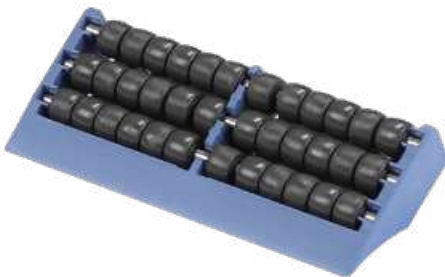
| Part | Article-Nr. | Type | Roller material |
|------|-------------|------|-----------------|
| 370  | 37001       | A    | Acetal resin    |
| 370  | 37002       | B    | Acetal resin    |
| 370  | 37003       | C    | Acetal resin    |
| 370  | 37001PFX    | A    | PFX             |
| 370  | 37002PFX    | B    | PFX             |
| 370  | 37003PFX    | C    | PFX             |



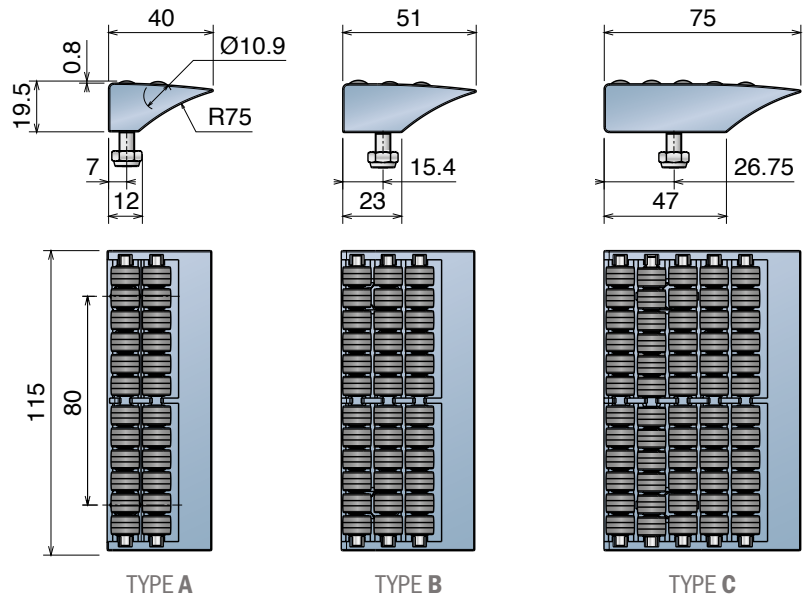
## 371 Moduli di trasferimento L=115 mm Transfer modules L=115 mm / Überschubmodul L=115 mm

NOW ALSO WITH PFX ROLLERS

Delivery: **Easy** **Standard**



| Part | Article-Nr. | Type | Roller material |
|------|-------------|------|-----------------|
| 371  | 37101       | A    | Acetal resin    |
| 371  | 37102       | B    | Acetal resin    |
| 371  | 37103       | C    | Acetal resin    |
| 371  | 37101PFX    | A    | PFX             |
| 371  | 37102PFX    | B    | PFX             |
| 371  | 37103PFX    | C    | PFX             |



**Materiale / Material / Materialien:**

Modulo: **BluLub** / Module: **BluLub** / Module: **BluLub**

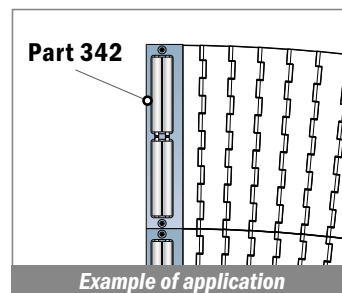
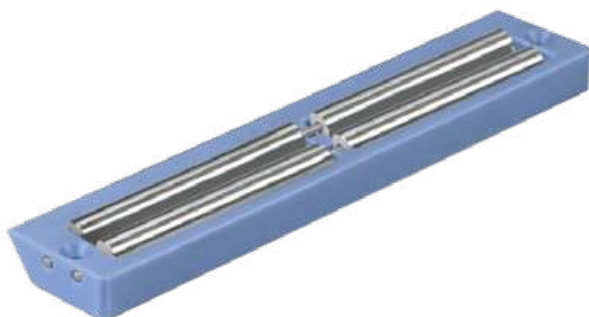
Perno: Acciaio inox / Pin: Stainless steel / Bolzen: Edelstahl

Rulli: Acciaio inox / Rollers: Stainless steel / Rollen: Edelstahl

## 342 Moduli di trasferimento L=200 mm Transfer modules L=200 mm / Überschubmodul L=200 mm

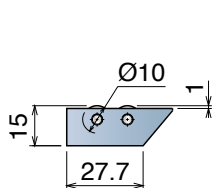
**RANGE EXTENSION**

| Part | Article-Nr. | Type | Material |
|------|-------------|------|----------|
| 370  | 34201       | A    | BluLub   |
| 370  | 34201N      | B    | BluLub   |
| 370  | 34201NL     | C    | BluLub   |
| 370  | 34201S      | A    | PE Black |
| 370  | 34201NS     | B    | PE Black |
| 370  | 34201NLS    | C    | PE Black |

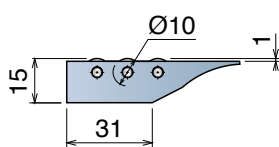
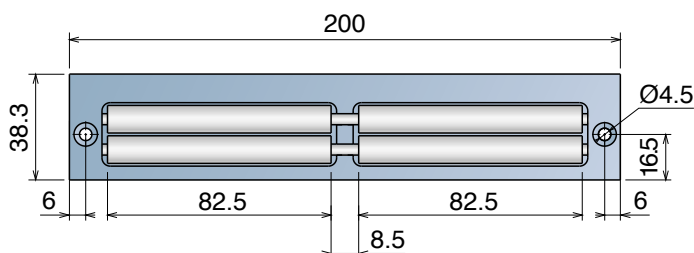


**Smart roller**

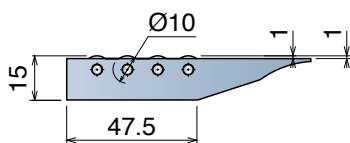
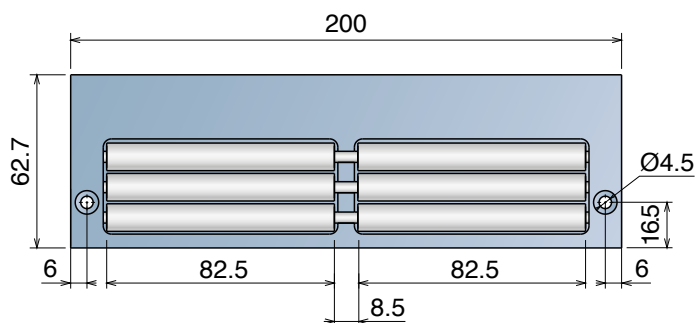
with mini bearings  
in stainless steel



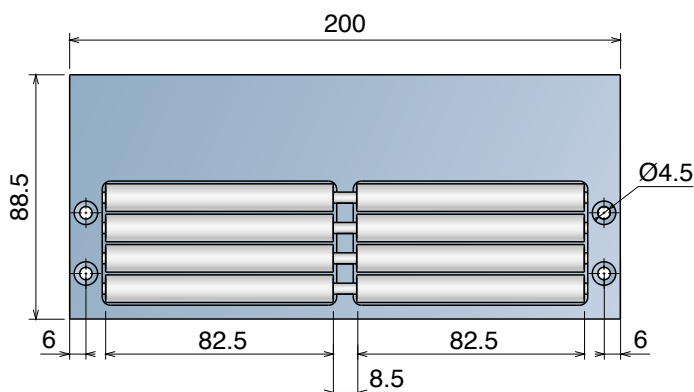
TYPE A



TYPE B



TYPE C



**Advantages:**

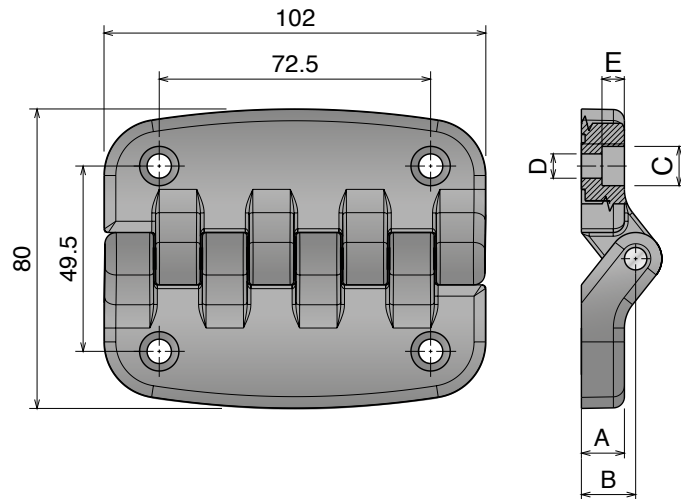
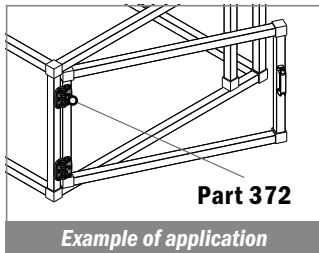
- Machined transfer
- High precision
- Solid structure
- Easy to install

## 372 Cerniera Hinge / Scharnier

NOW ALSO IN HYGIENIC BLUE

Delivery: **Easy** **Standard**

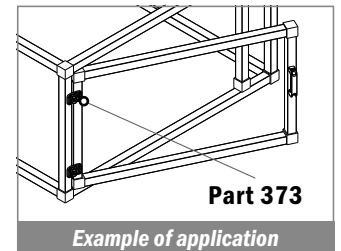
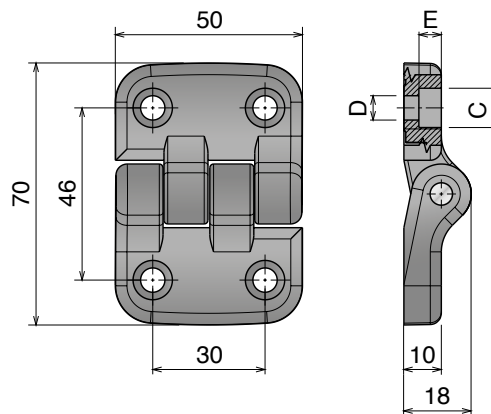
| Part | Article-Nr. | A  | B  | C    | D   | E | Colour        |
|------|-------------|----|----|------|-----|---|---------------|
| 372  | 37201       | 11 | 14 | 10,5 | 6,5 | 6 | Black         |
| 372  | 37202       | 11 | 14 | 13,5 | 8,5 | 8 | Black         |
| 372  | 37203       | 18 | 21 | 13,5 | 8,5 | 8 | Black         |
| 372  | 37211       | 11 | 14 | 10,5 | 6,5 | 6 | Hygienic blue |
| 372  | 37212       | 11 | 14 | 13,5 | 8,5 | 8 | Hygienic blue |
| 372  | 37213       | 18 | 21 | 13,5 | 8,5 | 8 | Hygienic blue |



## 373 Cerniera Hinge / Scharnier

Delivery: **Easy** **Standard**

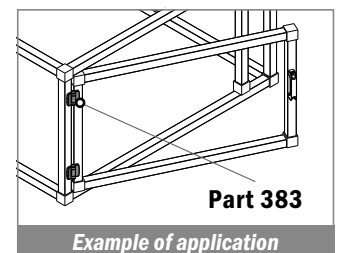
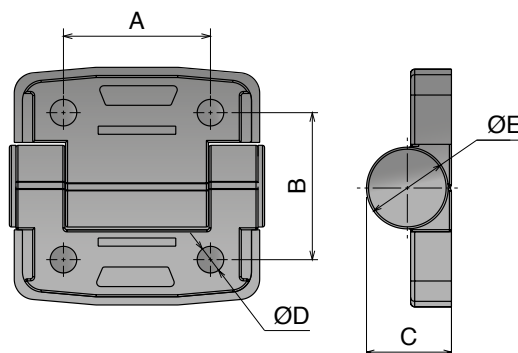
| Part | Article-Nr. | C    | D   | E |
|------|-------------|------|-----|---|
| 373  | 37301       | 10,5 | 6,5 | 6 |
| 373  | 37302       | 13,5 | 8,5 | 4 |



## 383 Cerniera Hinge / Scharnier

Delivery: **Easy** **Standard**

| Part | Article-Nr. | A  | B  | C    | ØD  | ØE | F    | G  |
|------|-------------|----|----|------|-----|----|------|----|
| 383  | 38301       | 24 | 25 | 14,5 | 4,5 | 14 | 44,6 | 41 |
| 383  | 38302       | 36 | 36 | 20,8 | 6,5 | 20 | 62,5 | 58 |

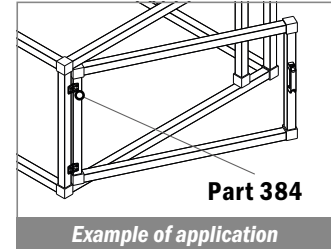
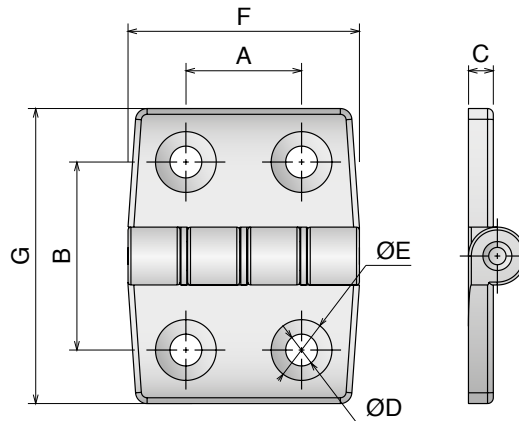


## 384 Cerniera Acciaio Inox SS Hinge / Edelstahl Scharnier

Stainless Steel | AISI 304

Delivery: **Easy** Standard

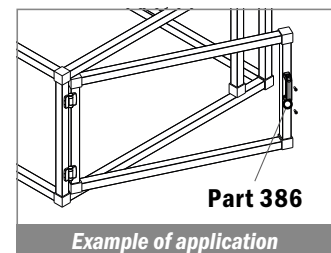
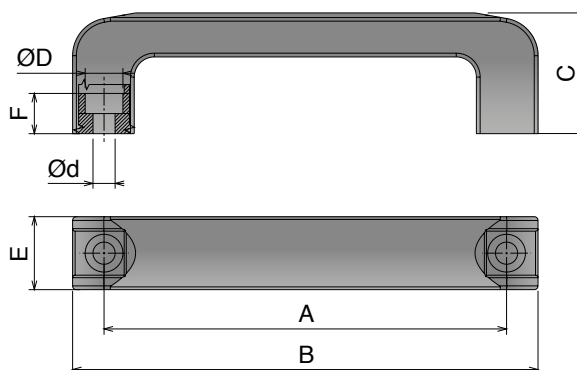
| Part | Article-Nr. | A  | B    | C   | ØD  | ØE   | F  | G  |
|------|-------------|----|------|-----|-----|------|----|----|
| 384  | 38401       | 20 | 32,5 | 4,3 | 5,5 | 10,5 | 40 | 51 |
| 384  | 38402       | 30 | 41   | 5   | 6,5 | 12,5 | 60 | 71 |



## 386 Maniglia Handle / Handgriff

Delivery: **Easy** Standard

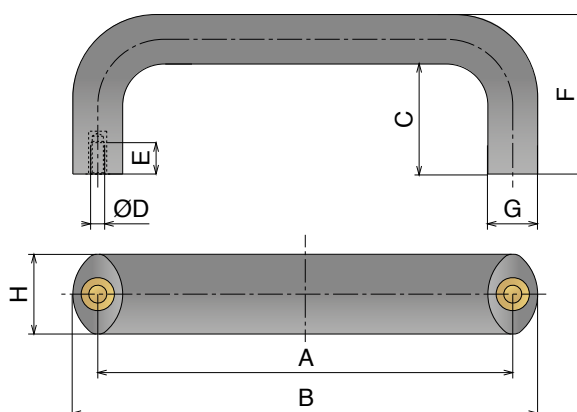
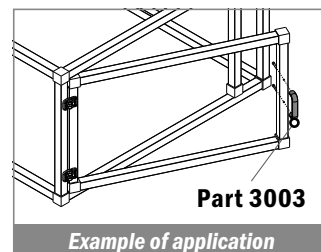
| Part | Article-Nr. | A   | B   | C  | Ød  | ØD | E    | F  |
|------|-------------|-----|-----|----|-----|----|------|----|
| 386  | 38603       | 120 | 140 | 40 | 7   | 11 | 24   | 15 |
| 386  | 38601       | 120 | 140 | 40 | 8,5 | 13 | 24,5 | 16 |
| 386  | 38602       | 160 | 185 | 48 | 8,5 | 15 | 29   | 16 |



## 3003 Maniglia piena con boccola Solid handle with threaded insert / Handgriff mit Innengewinde

Delivery: **Easy** **Standard**

| Part | Article-Nr. | A   | B   | C  | ØD | E  | F  | G  | H  |
|------|-------------|-----|-----|----|----|----|----|----|----|
| 3003 | 300301      | 120 | 134 | 34 | M6 | 9  | 50 | 16 | 25 |
| 3003 | 300302      | 120 | 134 | 34 | M8 | 14 | 50 | 16 | 25 |

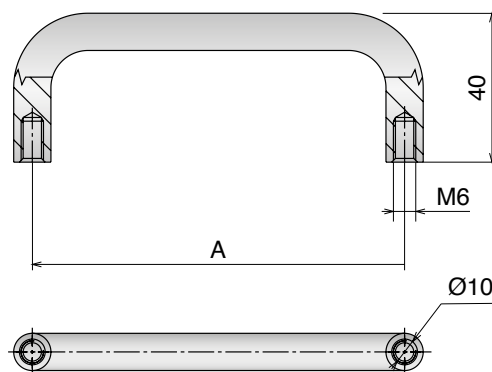
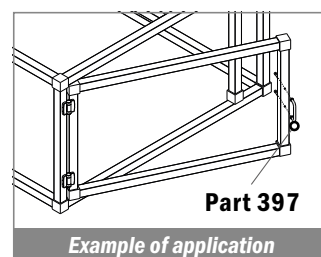


## 397 Maniglia acciaio inox Stainless Steel handle / Handgriffe Edelstahl

Delivery: **Easy** **Standard**

**Stainless Steel | AISI 304**

| Part | Article-Nr. | A   |
|------|-------------|-----|
| 397  | 39701       | 95  |
| 397  | 39702       | 100 |
| 397  | 39703       | 110 |





**Materiale / Material / Materialien:**

Maniglia: Poliammide/Handle: Polyamide/Griff: Polyamid

Insero femmina: Ottone nichelato/Female insert: Nickel plated brass /Einsatz: Messing vernickelt

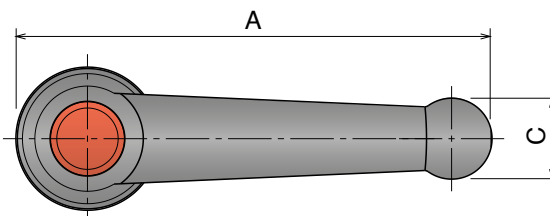
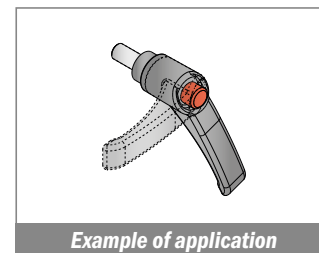
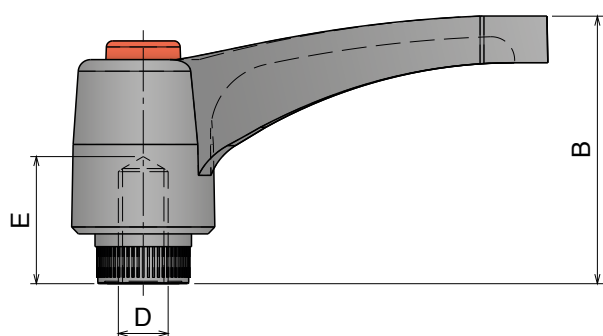
Insero maschio: Acciaio inox /Male insert: Stainless steel /Aussengewinde: Edelstahl

## 374 Maniglia a ripresa Adjustable handle / Ratschenhebel

**NEW DESIGN**

Delivery: **Easy** **Standard**

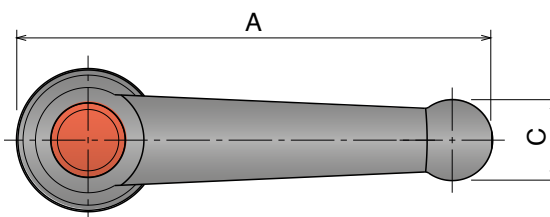
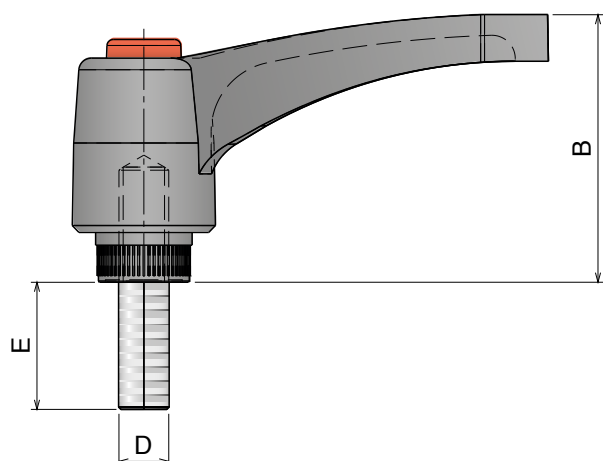
| Part | Article-Nr. | A    | B  | C    | D   | E  |
|------|-------------|------|----|------|-----|----|
| 374  | 37403       | 51   | 33 | 9    | M5  | 12 |
| 374  | 37404       | 51   | 33 | 9    | M6  | 12 |
| 374  | 37405       | 63   | 41 | 12   | M6  | 18 |
| 374  | 37406       | 63   | 41 | 12   | M8  | 18 |
| 374  | 37407       | 63   | 41 | 12   | M10 | 18 |
| 374  | 37401       | 76.5 | 43 | 13   | M8  | 18 |
| 374  | 37409       | 76.5 | 43 | 13   | M10 | 18 |
| 374  | 37402       | 93.5 | 54 | 15.5 | M10 | 22 |
| 374  | 37408       | 93.5 | 54 | 15.5 | M12 | 22 |



## 375 Maniglia a ripresa Adjustable handle / Ratschenhebel

Delivery: **Easy** **Standard**

| Part | Article-Nr. | A    | B  | C    | D   | E  |
|------|-------------|------|----|------|-----|----|
| 375  | 37508       | 51.5 | 33 | 9    | M5  | 15 |
| 375  | 37509       | 51.5 | 33 | 9    | M6  | 15 |
| 375  | 37510       | 63   | 41 | 12   | M8  | 15 |
| 375  | 37511       | 63   | 41 | 12   | M8  | 20 |
| 375  | 37515       | 63   | 41 | 12   | M8  | 55 |
| 375  | 37501       | 76.5 | 43 | 13   | M8  | 20 |
| 375  | 37512       | 76.5 | 43 | 13   | M8  | 25 |
| 375  | 37502       | 76.5 | 43 | 13   | M10 | 25 |
| 375  | 37513       | 93.5 | 54 | 15.5 | M10 | 20 |
| 375  | 37514       | 93.5 | 54 | 15.5 | M10 | 25 |



**Materiale / Material / Materialien:**

Morsetto: Poliammide/Clamp: Polyamide/Klemme: Polyamid

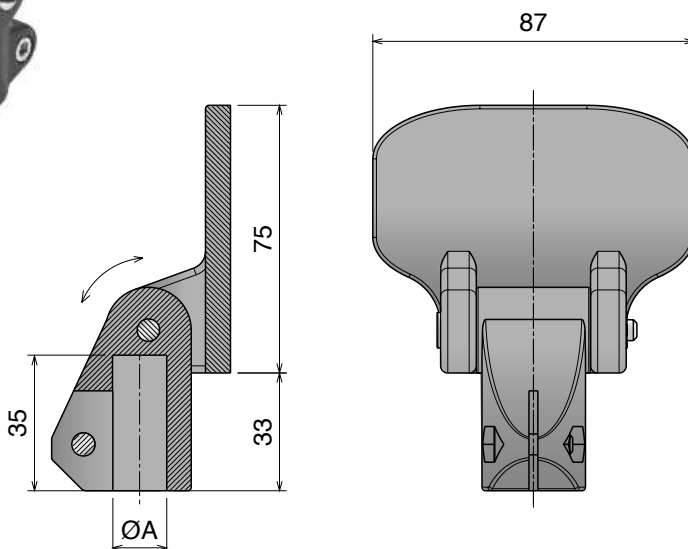
Viti e dadi: Acciaio inox/Screws and nuts: Stainless steel/Schraube und Mutter: Edelstahl

## 377

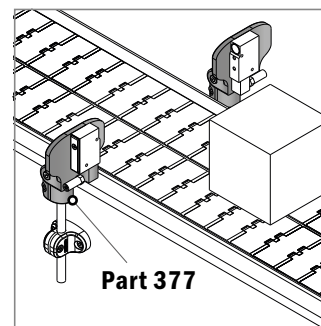
Morsetto standard per fotocellula o riflettore

Clamp for photocells or reflector / Klemme für Fotozelle oder Reflektor

Delivery: **Easy** Standard

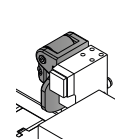


| Part | Article-Nr. | ØA |
|------|-------------|----|
| 377  | 37701       | 14 |
| 377  | 37702       | 16 |
| 377  | 37703       | 20 |

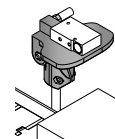


Part 377

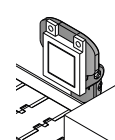
One product for several models of photocells reflectors:



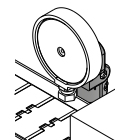
Omron E3A2



Leuze/RK18



Sigest/RF-230



Diell/RL110

and many other types:

Sick/WL36 - Datalogic/RT7

Omron/E35-R - Datalogic/R2

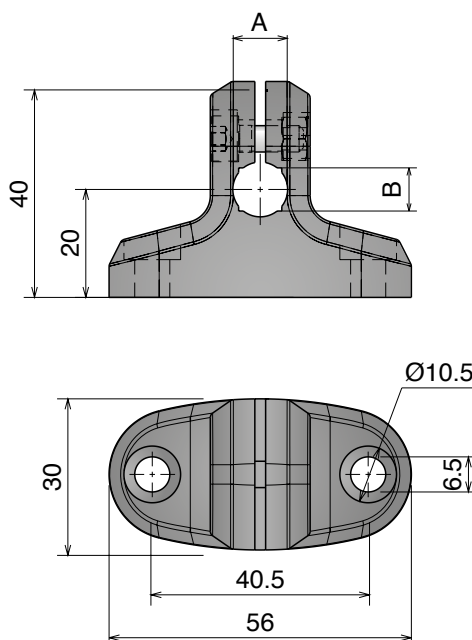
Example of application

## 378

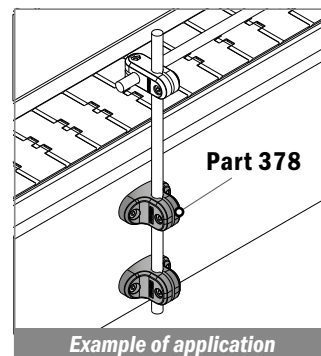
Morsetto a "T"

T-clamp / T-Klemme

Delivery: **Easy** Standard



| Part | Article-Nr. | A  | B  |
|------|-------------|----|----|
| 378  | 37801       | 10 | 8  |
| 378  | 37802       | 12 | 10 |
| 378  | 37803       | 14 | 12 |



Part 378

Example of application

**Materiale / Material / Materialien:**

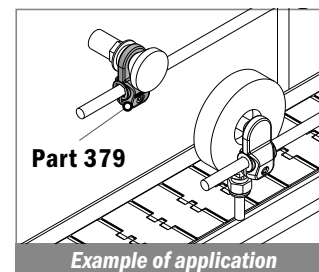
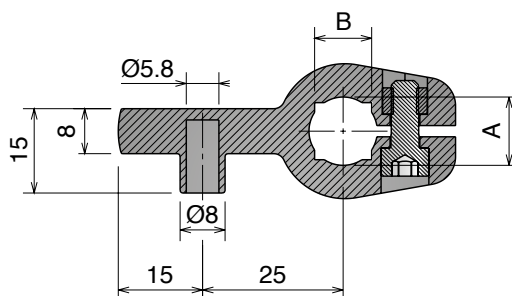
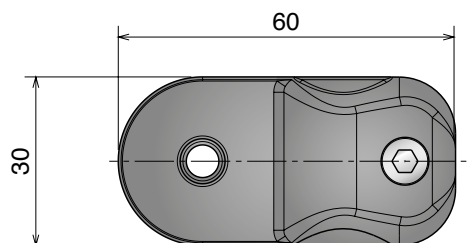
Morsetto: Poliammide/Clamp: Polyamide/Klemme: Polyamid

Viti e dadi: Acciaio inox/Screws and nuts: Stainless steel/Schraube und Mutter: Edelstahl

## 379 Morsetto per riflettore Clamp for reflector / Reflektorklemme

Delivery: **Easy** **Standard**

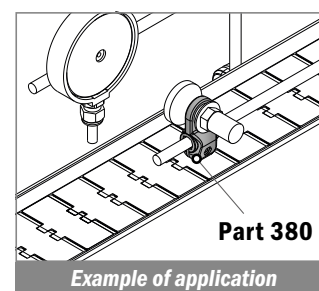
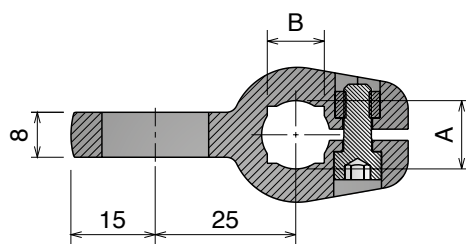
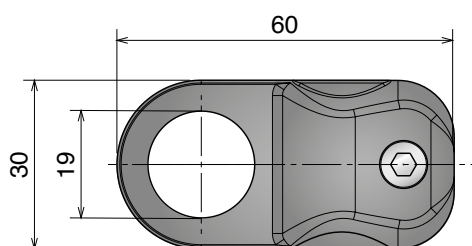
| Part | Article-Nr. | A  | B  |
|------|-------------|----|----|
| 379  | 37901       | 10 | 8  |
| 379  | 37902       | 12 | 10 |
| 379  | 37903       | 14 | 12 |



## 380 Morsetto per fotocellule o sensori Clamp for photocells or sensors / Klemme für Lichtschranke oder Sensoren

Delivery: **Easy** **Standard**

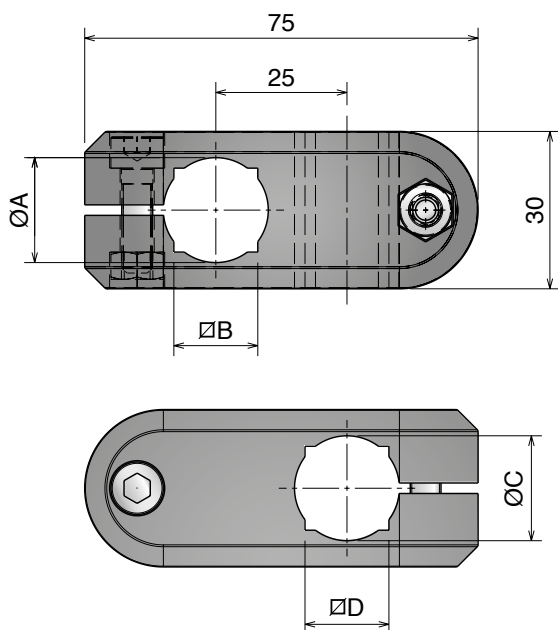
| Part | Article-Nr. | A  | B  |
|------|-------------|----|----|
| 380  | 38001       | 10 | 8  |
| 380  | 38002       | 12 | 10 |
| 380  | 38003       | 14 | 12 |



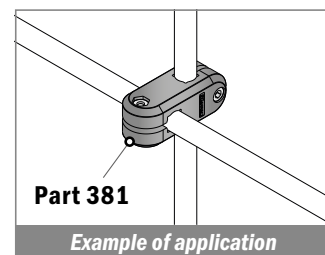
## 381 Morsetto a croce Cross clamp / Kreuzklemmee

**NOW ALSO IN HYGIENIC BLUE**

Delivery: **Easy** **Standard**



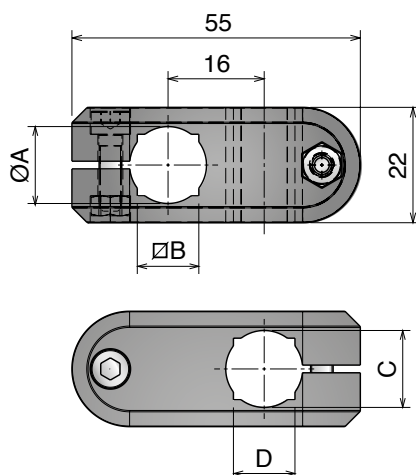
| Part | Article-Nr. | ØA | ØB | ØC | ØD | Colour          |
|------|-------------|----|----|----|----|-----------------|
| 381  | 38101       | 14 | 12 | 14 | 12 | Black           |
| 381  | 38102       | 16 | 14 | 16 | 14 | Black           |
| 381  | 38103       | 18 | -  | 18 | -  | Black           |
| 381  | 38104       | 20 | 16 | 20 | 16 | Black           |
| 381  | 38111       | 14 | 12 | 14 | 12 | Hygienic blue   |
| 381  | 38112       | 16 | 14 | 16 | 14 | Hygienic blue   |
| 381  | 38113       | 18 | -  | 18 | -  | Hygienic blue   |
| 381  | 38114       | 20 | 16 | 20 | 16 | Hygienic blue   |
| 381  | 38121       | 16 | -  | 16 | -  | Stainless steel |
| 381  | 38122       | 16 | -  | 20 | -  | Stainless steel |
| 381  | 38123       | 20 | -  | 20 | -  | Stainless steel |



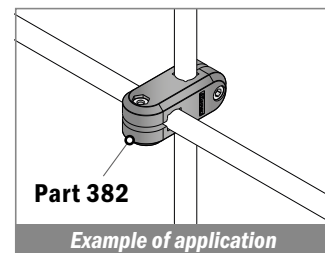
## 382 Morsetto a croce Cross clamp / Kreuzklemmee

**NOW ALSO IN HYGIENIC BLUE**

Delivery: **Easy** **Standard**



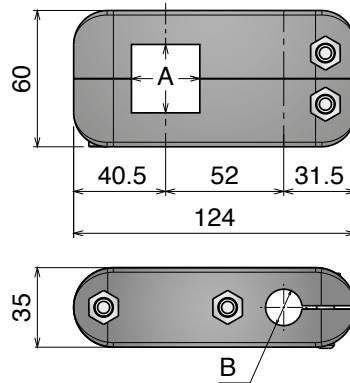
| Part | Article-Nr. | ØA | ØB | C  | D  | Colour        |
|------|-------------|----|----|----|----|---------------|
| 382  | 38201       | 10 | 8  | 10 | 8  | Black         |
| 382  | 38202       | 12 | 10 | 12 | 10 | Black         |
| 382  | 38203       | 14 | 12 | 14 | 12 | Black         |
| 382  | 38211       | 10 | 8  | 10 | 8  | Hygienic blue |
| 382  | 38212       | 12 | 10 | 12 | 10 | Hygienic blue |
| 382  | 38213       | 14 | 12 | 14 | 12 | Hygienic blue |



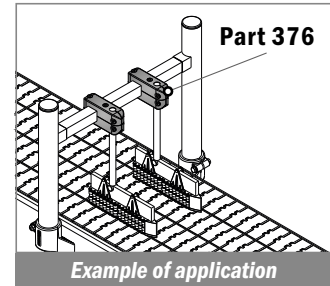
# 376 Morsetto a croce "extra" Extra Cross Block / Kreuzklemme "Extra"

Delivery: **Easy** Standard

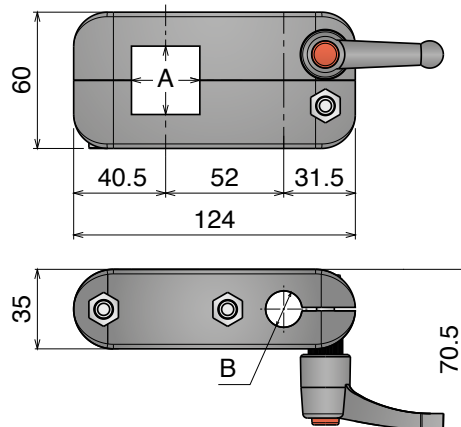
**NEW DESIGN**



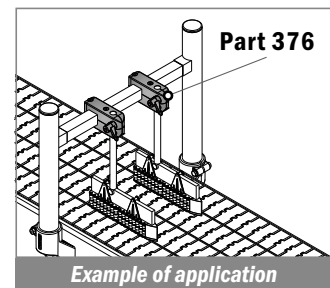
| Part | Article-Nr. | A     | B  |
|------|-------------|-------|----|
| 376  | 37601       | 30x30 | 16 |
| 376  | 37604       | 30x30 | 20 |
| 376  | 37602       | 40x40 | 16 |
| 376  | 37603       | 40x40 | 20 |



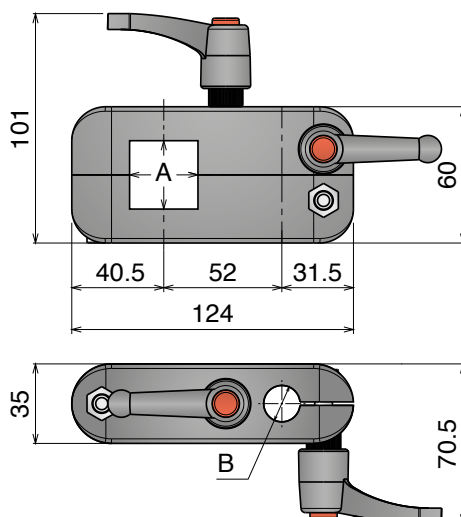
## Morsetto a croce "extra" con maniglia Extra Cross Block with handle / Kreuzklemme "Extra" m. Ratschenhebel



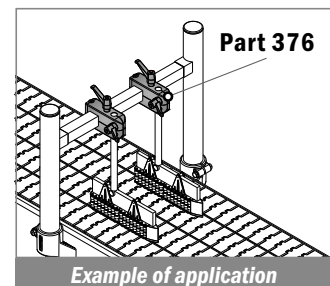
| Part | Article-Nr. | A     | B  |
|------|-------------|-------|----|
| 376  | 37611       | 30x30 | 16 |
| 376  | 37614       | 30x30 | 20 |
| 376  | 37612       | 40x40 | 16 |
| 376  | 37613       | 40x40 | 20 |



## Morsetto a croce "extra" con maniglie Extra Cross Block with handles / Kreuzklemme "Extra" m. Ratschenhebel



| Part | Article-Nr. | A     | B  |
|------|-------------|-------|----|
| 376  | 37621       | 30x30 | 16 |
| 376  | 37624       | 30x30 | 20 |
| 376  | 37622       | 40x40 | 16 |
| 376  | 37623       | 40x40 | 20 |



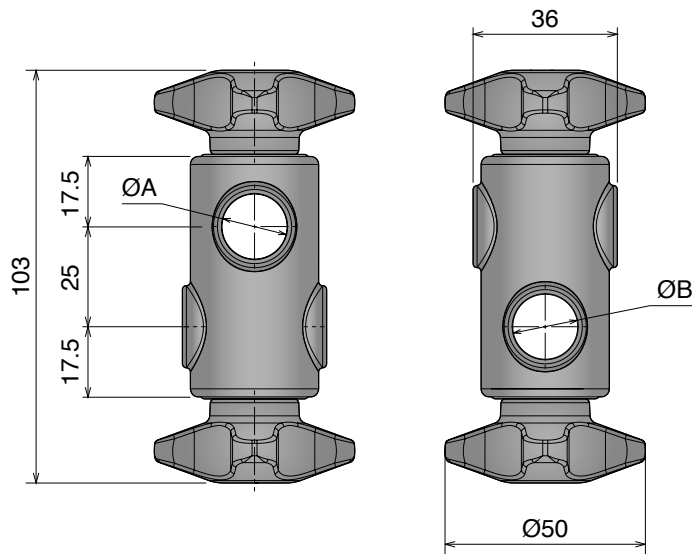
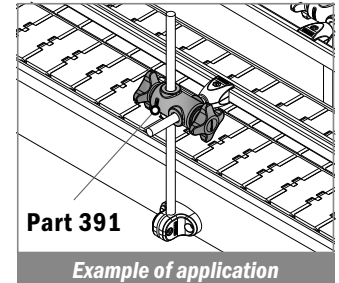
**Materiale / Material / Materialien:** Corpo: PA/Body: PA/Korpus: PA  
 Volantino: PA+ ottone nichelato/Knob: PA+ nickel plated brass/Stengriff: PA+ messing vernickelt  
 Tirante e rondella: Acciaio inox/Eyebolt and washer: Stainless steel/ Augenschraube und Unterlegs: Edelstahl

## 391 Morsetto a croce Cross clamp / Kreuzklemme

Delivery: **Easy** Standard

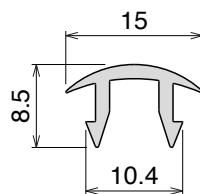


| Part | Article-Nr. | ØA | ØB |
|------|-------------|----|----|
| 391  | 39101       | 12 | 12 |
| 391  | 39103       | 14 | 14 |
| 391  | 39102       | 16 | 16 |
| 391  | 39104       | 12 | 16 |

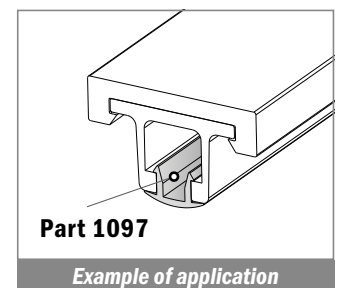


## NEW 1097 Profilo di chiusura Closing profile / Abdeckprofil

Delivery: **Easy** Standard



| Article-Nr. | Material | Availability | Supply     |
|-------------|----------|--------------|------------|
| 109701-30   | Grey PVC | Stock item   | 30 m coils |

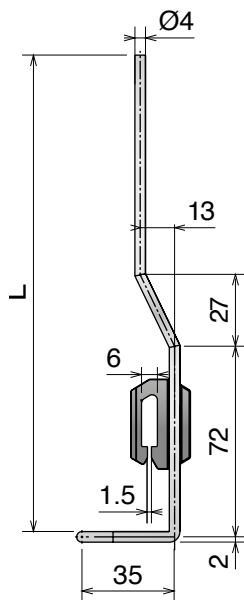
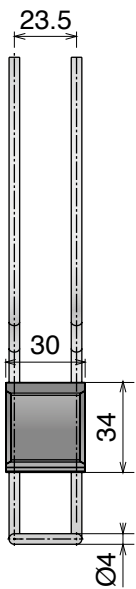


Used with Part:  
 154 - 155 - 159 - 164 - 165 - 188  
 358 - 359 - 360 - 361 - 1055 - 1088 - 1089

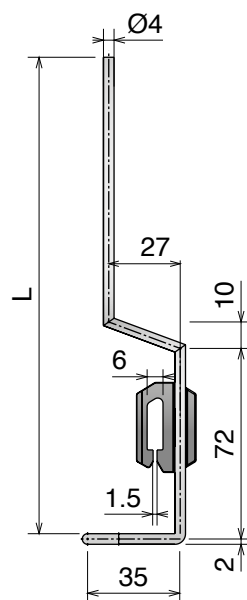
## 387 Sostegno per Sgocciolatoio Drip Tray Supports / Tropfblechhalter

Delivery: **Easy** **Standard** Max load capacity 20 Kg

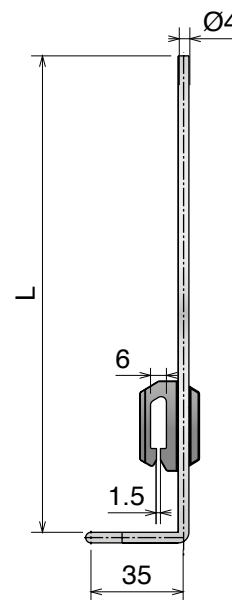
| Part | Article-Nr. | L   | Type |
|------|-------------|-----|------|
| 387  | 38701       | 180 | A    |
| 387  | 38702       | 250 | A    |
| 387  | 38703       | 180 | B    |
| 387  | 38704       | 250 | B    |
| 387  | 38705       | 280 | B    |
| 387  | 38706       | 246 | C    |
| 387  | 38707       | 396 | C    |
| 387  | 38708       | 180 | D    |
| 387  | 38709       | 250 | D    |



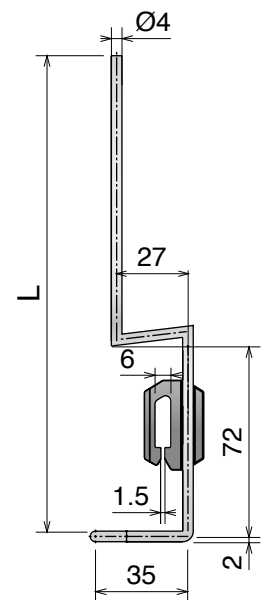
TYPE A



TYPE B



TYPE C

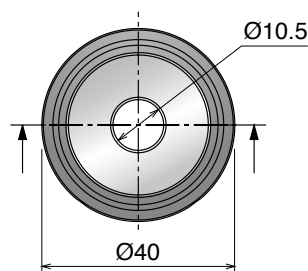
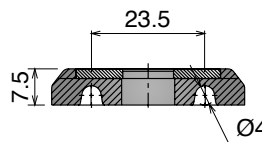
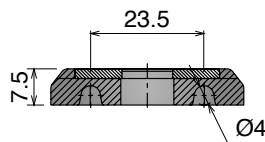


TYPE D

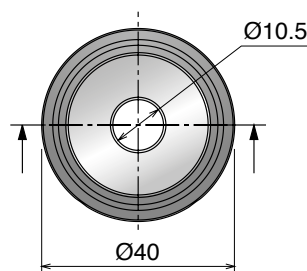
## 388 Rondella di fissaggio Fixing washer / Fixierscheibe

Delivery: **Easy** **Standard**

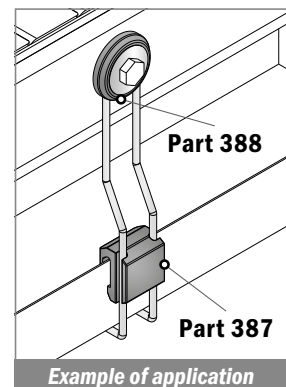
| Part | Article-Nr. | Type |
|------|-------------|------|
| 388  | 38801       | A    |
| 388  | 38802       | B    |



TYPE A



TYPE B



## NEW 903 Vite igienica certificata ed igienica Certified hygienic screw / Zertifiziert hygienische Schraube

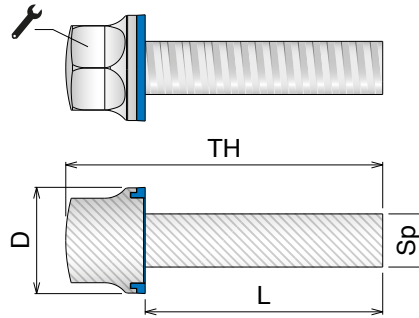
Delivery: **Easy** **Standard**



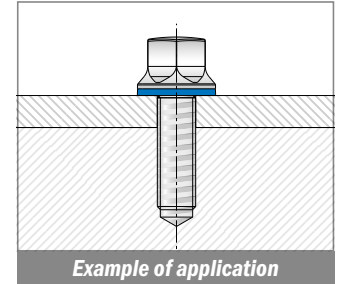
**Main features:**

- Stainless steel AISI 304
- Blue seal for hermetic closure

| Art-Nr. | Sp  | D    | TH | L  |    | Box    |
|---------|-----|------|----|----|----|--------|
| 903255  | M8  | 16   | 58 | 45 | 13 | 10 pcs |
| 903253  | M10 | 20   | 60 | 45 | 16 | 10 pcs |
| 903251  | M12 | 24,5 | 78 | 60 | 18 | 10 pcs |



**CERTIFIED PRODUCTS**  
ASK FOR CERTIFICATION:  
certificate@movexii.com



## NEW 903 Dado certificato ed igienico Certified hygienic nut / Zertifiziert hygienische Hutmutter

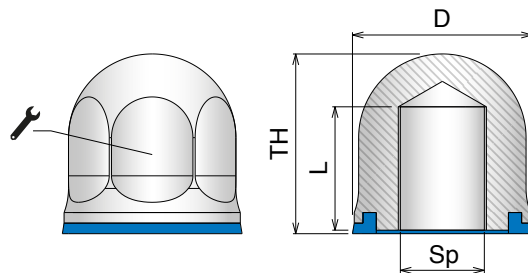
Delivery: **Easy** **Standard**



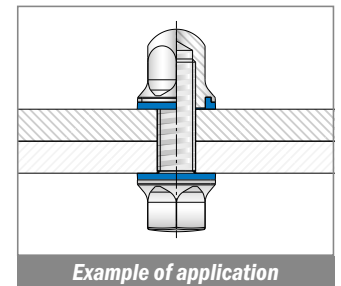
**Main features:**

- Stainless steel AISI 304
- Blue seal for hermetic closure

| Art-Nr. | Sp  | D    | TH   | L  |    | Box    |
|---------|-----|------|------|----|----|--------|
| 903235  | M6  | 13   | 14   | 10 | 10 | 10 pcs |
| 903236  | M8  | 16   | 17   | 12 | 13 | 10 pcs |
| 903237  | M10 | 20   | 20,5 | 15 | 16 | 10 pcs |
| 903238  | M12 | 24,5 | 25   | 18 | 18 | 10 pcs |
| 903239  | M16 | 32   | 32   | 23 | 24 | 10 pcs |
| 903240  | M20 | 39   | 38   | 27 | 30 | 10 pcs |



**CERTIFIED PRODUCTS**  
ASK FOR CERTIFICATION:  
certificate@movexii.com



## 998 Dado Nut / Sechskantmutter

Delivery: **Easy** **Standard**

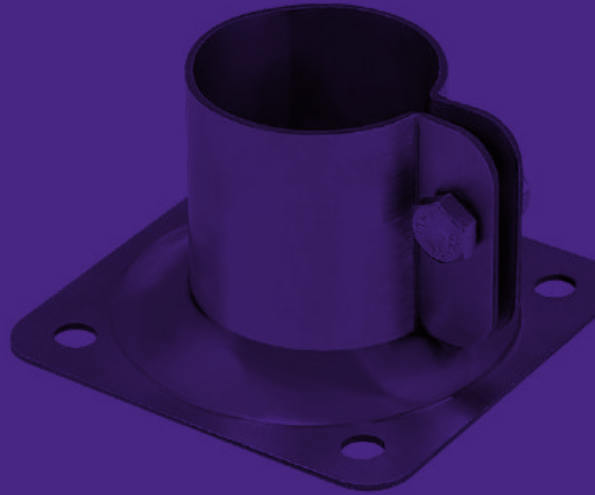


**Main features:**

- Stainless steel (SS) or Zinc plated steel (FeZn)
- UNI 5588 - ISO 4032 - DIN 934

| Art-Nr. | Art-Nr. | Sp  | Box    |
|---------|---------|-----|--------|
| SS      | FeZn    |     |        |
| 99801   | 99801Z  | M10 | 50 pcs |
| 99802   | 99802Z  | M12 | 50 pcs |
| 99804   | 99804Z  | M16 | 10 pcs |
| 99805   | 99805Z  | M20 | 10 pcs |
| 99806   | 99806Z  | M24 | 5 pcs  |
| 99807   | 99807Z  | M30 | 5 pcs  |
| 99808   | 99808Z  | M36 | 5 pcs  |





|                           |                           |                           |                           |                           |                           |
|---------------------------|---------------------------|---------------------------|---------------------------|---------------------------|---------------------------|
| <b>401</b><br><br>Pag 514 | <b>402</b><br><br>Pag 514 | <b>403</b><br><br>Pag 515 | <b>404</b><br><br>Pag 515 | <b>407</b><br><br>Pag 516 | <b>408</b><br><br>Pag 516 |
| <b>409</b><br><br>Pag 517 | <b>499</b><br><br>Pag 517 | <b>410</b><br><br>Pag 518 | <b>411</b><br><br>Pag 518 | <b>426</b><br><br>Pag 519 | <b>432</b><br><br>Pag 519 |
| <b>427</b><br><br>Pag 520 | <b>343</b><br><br>Pag 520 | <b>425</b><br><br>Pag 521 | <b>413</b><br><br>Pag 521 | <b>433</b><br><br>Pag 522 | <b>414</b><br><br>Pag 522 |
| <b>419</b><br><br>Pag 523 | <b>420</b><br><br>Pag 523 | <b>415</b><br><br>Pag 524 | <b>416</b><br><br>Pag 525 | <b>428</b><br><br>Pag 526 | <b>429</b><br><br>Pag 526 |
| <b>430</b><br><br>Pag 526 | <b>418</b><br><br>Pag 527 | <b>421</b><br><br>Pag 527 | <b>422</b><br><br>Pag 528 | <b>423</b><br><br>Pag 528 | <b>424</b><br><br>Pag 528 |

# 401-402

Componenti di supporto / Conveyor support components / Stützelemente

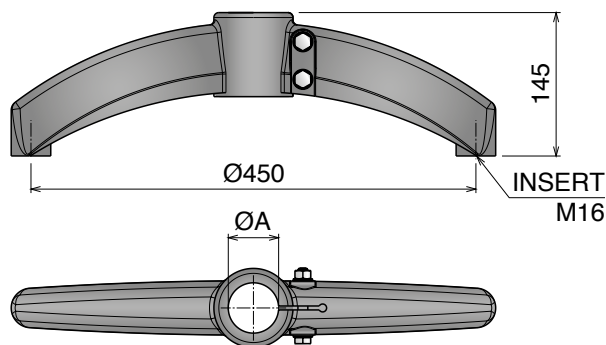
## Materiale / Material / Materialien:

Basi: Poliammide/Base: Polyamide/Halter: Polyamid

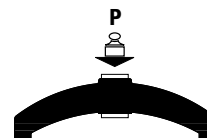
Viti e rondelle: Acciaio inox/Screws and washers: Stainless steel/Schrauben und Scheibe: Edelstahl  
Inserti e dadi: ottone nichelato/Inserts nuts: nickel plated brass/Mutter: Messing vernickelt

## 401 Base a due braccia Bipod / Zweibeinhalter

Delivery: **Easy** **Standard** Fasteners included



| Part | Article-Nr. | ØA   |
|------|-------------|------|
| 401  | 40101       | 48,3 |
| 401  | 40105       | 50,9 |
| 401  | 40102       | 60,3 |



Tube sliding load resistance

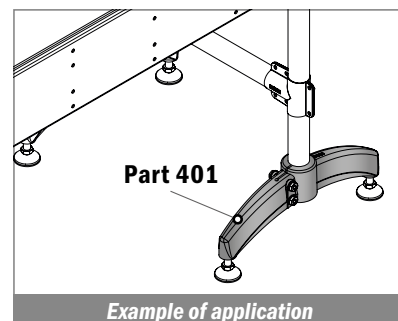
$P = 8000 \text{ N}$

Max applicable load

$P = 9600 \text{ N}$

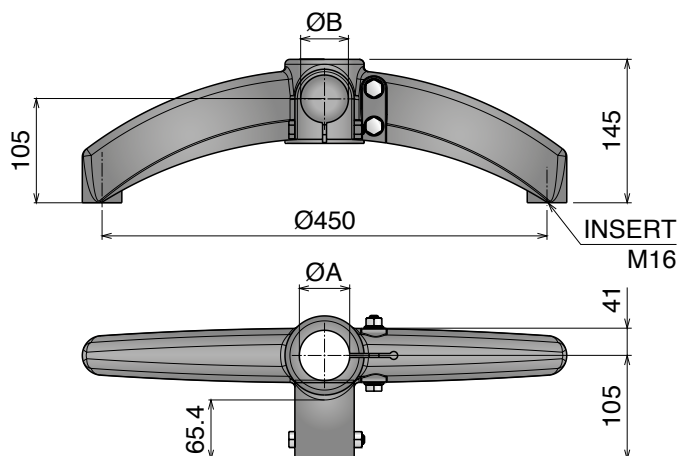
Bolts tightening torque

25 N.m

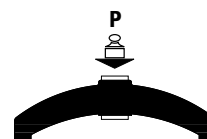


## 402 Base a due braccia 180° con giunto Bipod 180° with connector / Zweibeinhalter 180° m. Verbinder

Delivery: **Easy** **Standard** Fasteners included



| Part | Article-Nr. | ØA   | ØB   |
|------|-------------|------|------|
| 402  | 40201       | 48,3 | 48,3 |
| 402  | 40205       | 50,9 | 48,3 |
| 402  | 40202       | 60,3 | 48,3 |
| 402  | 40203       | 48,3 | 42,4 |
| 402  | 40206       | 50,9 | 42,4 |
| 402  | 40204       | 60,3 | 42,4 |



Tube sliding load resistance

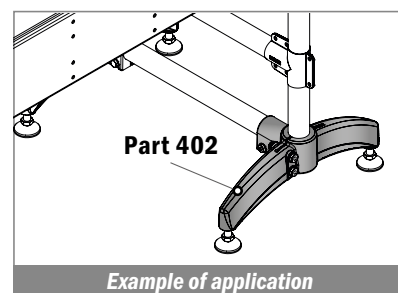
$P = 8000 \text{ N}$

Max applicable load

$P = 8000 \text{ N}$

Bolts tightening torque

25 N.m



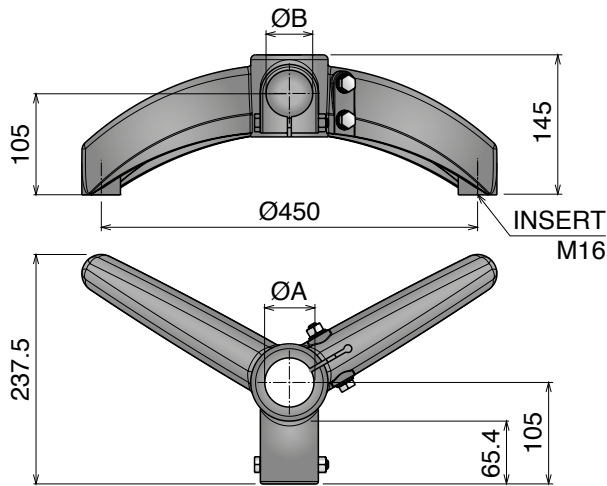
**Materiale / Material / Materialien:**

Basi: Poliammide/Base: Polyamide/Halter: Polyamid

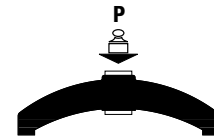
Viti e rondelle: Acciaio inox/Screws and washers: Stainless steel/Schrauben und Scheibe: Edelstahl  
 Inserti e dadi: ottone nichelato/Inserts nuts: nickel plated brass/Mutter: Messing vernickelt

## 403 Base a due braccia 120° con giunto Bipod 120° with connector / Zweibeinhalter 120° m. Verbinder

Delivery: **Easy** **Standard** Fasteners included



| Part | Article-Nr. | ØA   | ØB   |
|------|-------------|------|------|
| 403  | 40301       | 48,3 | 48,3 |
| 403  | 40305       | 50,9 | 48,3 |
| 403  | 40302       | 60,3 | 48,3 |
| 403  | 40303       | 48,3 | 42,4 |
| 403  | 40306       | 50,9 | 42,4 |
| 403  | 40304       | 60,3 | 42,4 |



**Tube sliding load resistance**

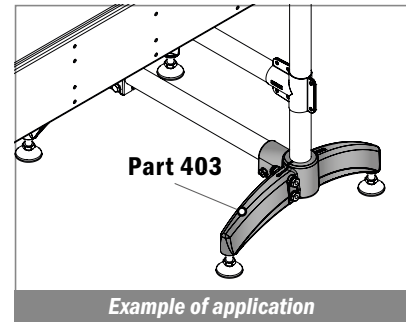
$P = 8000\text{ N}$

**Max applicable load**

$P = 8000\text{ N}$

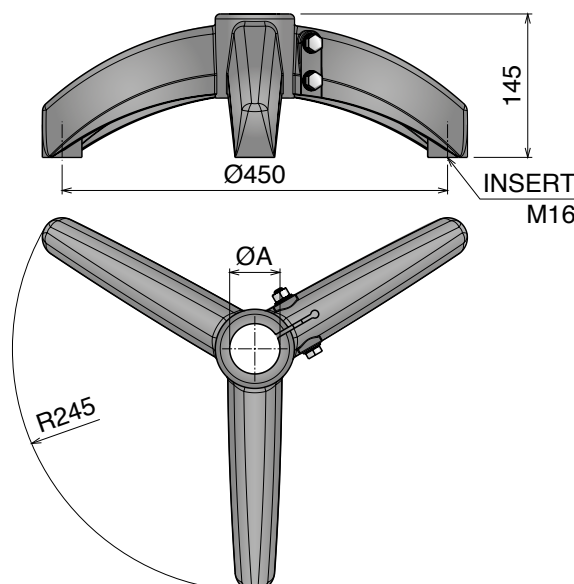
**Bolts tightening torque**

25 N.m

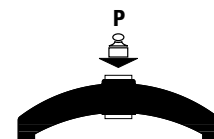


## 404 Base a tre braccia Tripod / Dreibeinhalter

Delivery: **Easy** **Standard** Fasteners included



| Part | Article-Nr. | ØA   |
|------|-------------|------|
| 404  | 40401       | 48,3 |
| 404  | 40405       | 50,9 |
| 404  | 40402       | 60,3 |



**Tube sliding load resistance**

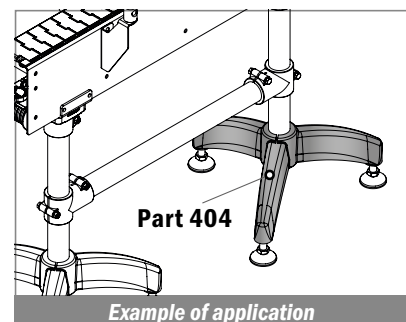
$P = 8000\text{ N}$

**Max applicable load**

$P = 10000\text{ N}$

**Bolts tightening torque**

25 N.m



# 407-408

Componenti di supporto / Conveyor support components / Stützelemente

## Materiale / Material / Materialien:

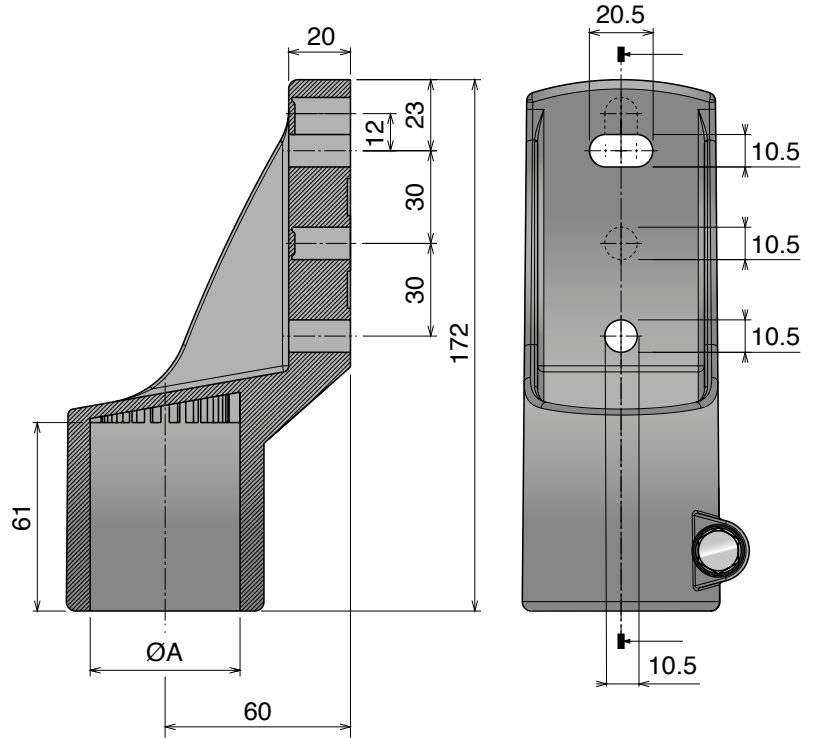
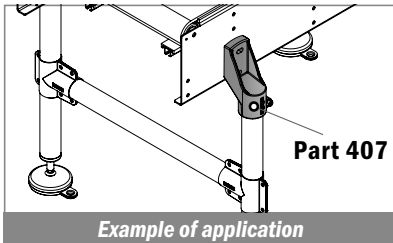
Testata: Poliammide / Side bracket: Polyamide / Halter: Polyamid

Viti e rondelle: Acciaio inox / Screws and washers: Stainless steel / Schrauben und Scheibe: Edelstahl  
Dadi: ottone nichelato / Nuts: nickel plated brass / Mutter: Messing vernickelt

## 407 Testata laterale Side mounting top bracket / seitlicher Stützkopf

Delivery: **Easy** **Standard** Max recommended tightening torque 2 kgm

| Part | Article-Nr. | ØA   |
|------|-------------|------|
| 407  | 40701       | 48,3 |
| 407  | 40702       | 50,9 |

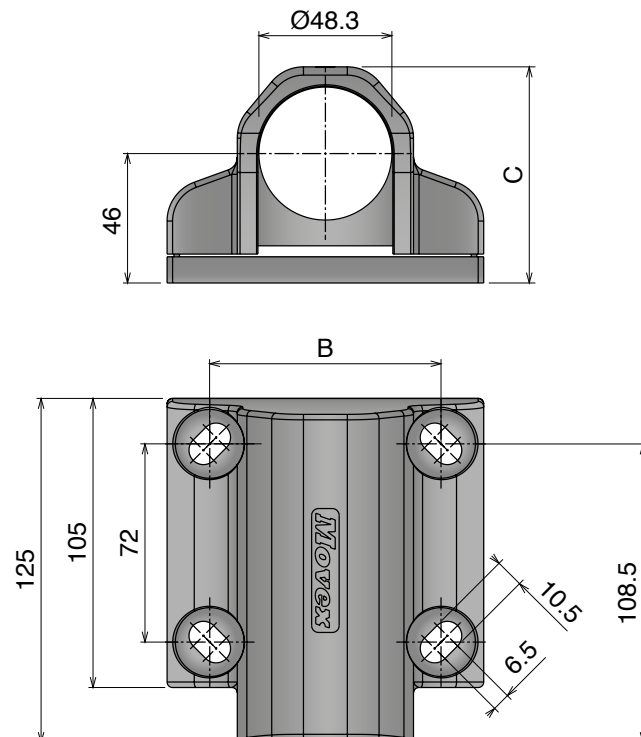
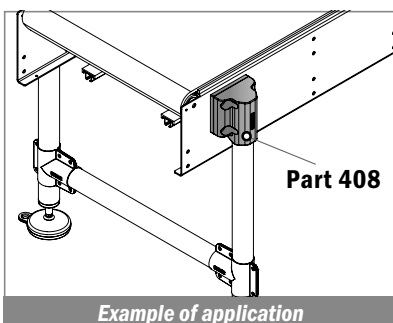


## 408 Testata laterale Side mounting top bracket / seitlicher Stützkopf

**RANGE EXTENSION**

Delivery: **Easy** **Standard** Max recommended tightening torque 2,5 kg/m | Fasteners not included

| Part | Article-Nr. | ØA   | B  | C    |
|------|-------------|------|----|------|
| 408  | 40801       | 48,3 | 84 | 72,5 |
| 408  | 40802       | 50,9 | 94 | 83,5 |
| 408  | 40803       | 60,3 | 94 | 83,5 |



**Materiale / Material / Materialien:**

Testata: Acciaio inox / Support head: stainless steel / Halter: Edelstahl  
 Viti e rondelle: Acciaio inox / Screws and washers: Stainless steel / Mutter: Edelstahl

**409-499**

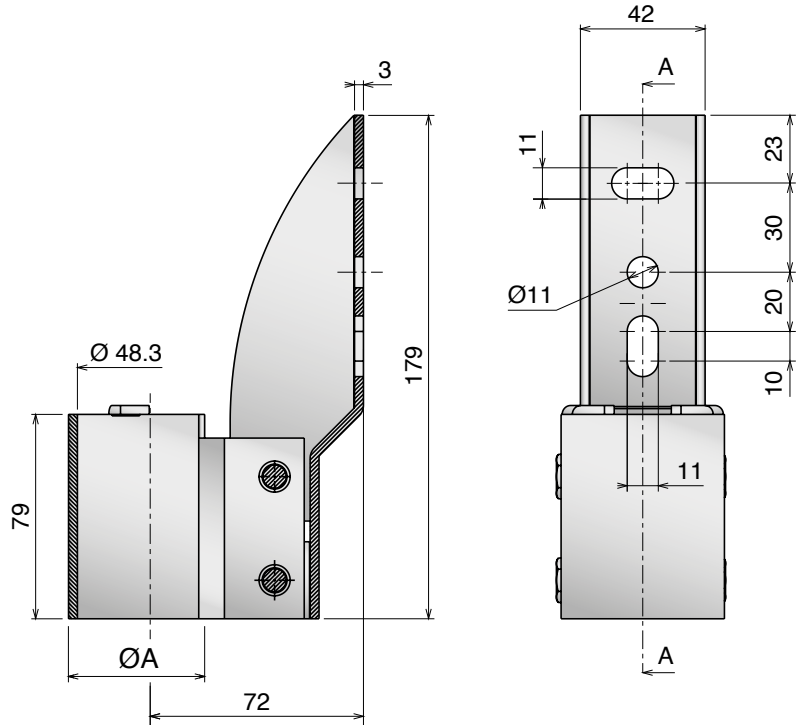
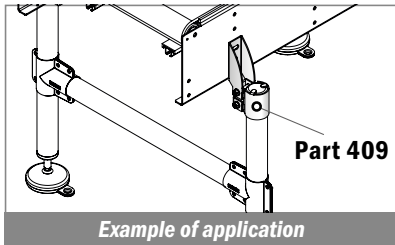
Componenti di supporto / Conveyor support components / Stützelemente

**409** Testata laterale  
 Side mounting top bracket / seitlicher Stützkopf

Stainless Steel | AISI 304

Delivery: **Easy** **Standard** Fasteners not included

| Part | Article-Nr. | ØA   |
|------|-------------|------|
| 409  | 40901       | 48,3 |

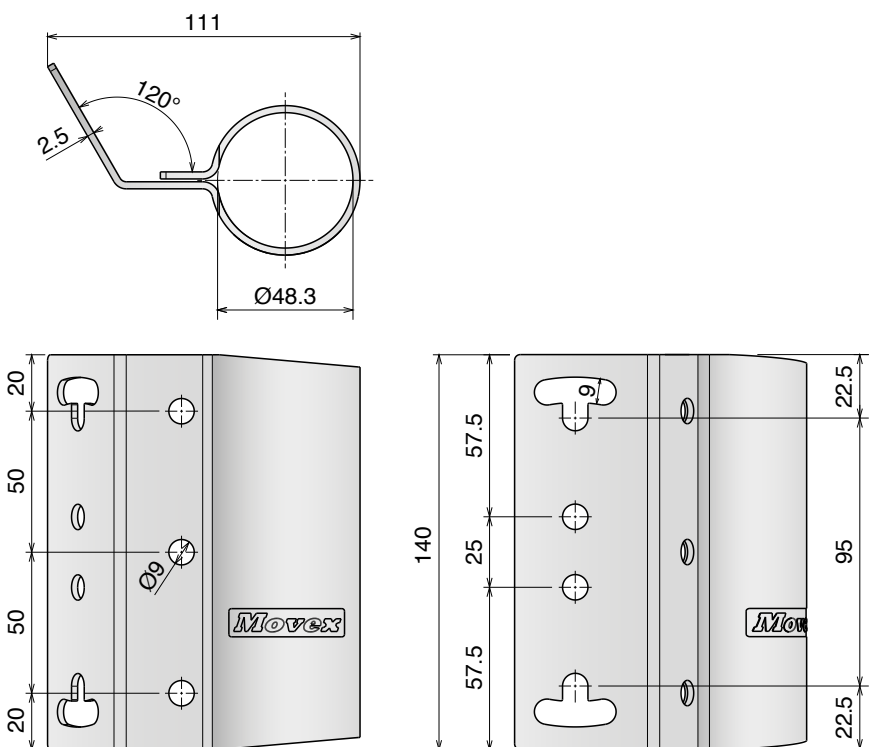
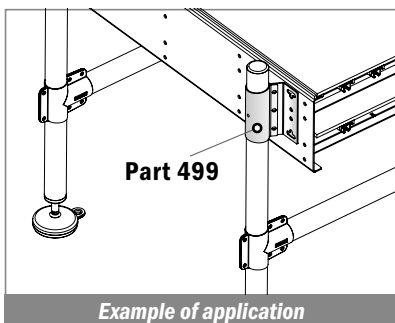


**499** Testata laterale  
 Side mounting top bracket / seitlicher Stützkopf

Stainless Steel | AISI 304

Delivery: **Easy** **Standard** Fasteners not included

| Part | Article-Nr. | ØA   |
|------|-------------|------|
| 499  | 49995       | 48,3 |



# 410-411

Componenti di supporto / Conveyor support components / Stützelemente

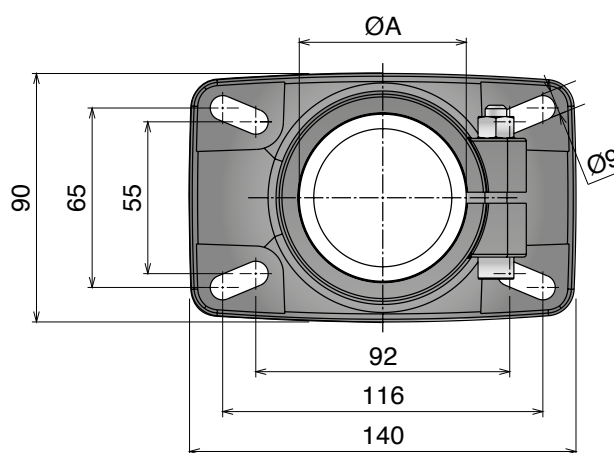
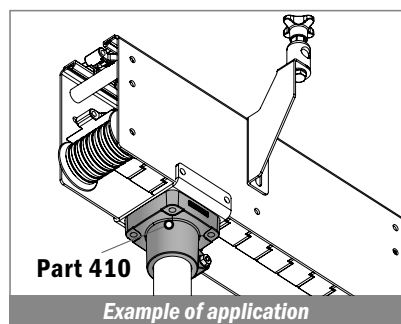
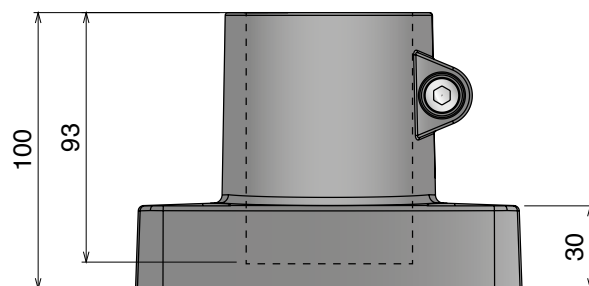
### Materiale / Material / Materialien:

Testata: Poliammide / Support head: Polyamide / Halter: Polyamid  
 Viti e rondelle e dado: Acciaio inox / Screws, washers and nut:  
 Stainless steel / Schrauben, Scheibe und Mutter: Edelstahl

## 410 Testata d'appoggio Support head / Stützkopf

Delivery: **Easy** **Standard** Max recommended tightening torque 3,5 kgm

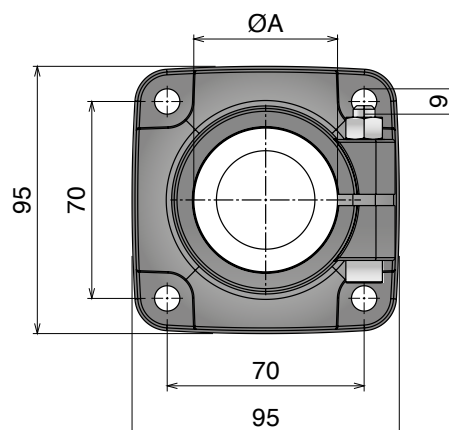
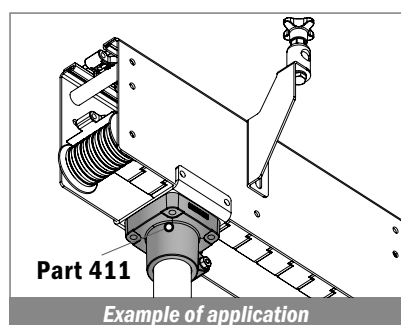
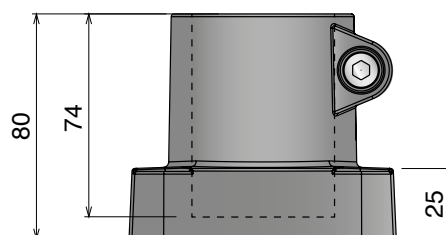
| Part | Article-Nr. | ØA   |
|------|-------------|------|
| 410  | 41001       | 48,3 |
| 410  | 41002       | 60,3 |



## 411 Testata d'appoggio Support head / Stützkopf

Delivery: **Easy** **Standard** Max recommended tightening torque 1,5 kgm

| Part | Article-Nr. | ØA   |
|------|-------------|------|
| 411  | 41101       | 48,3 |
| 411  | 41102       | 50,9 |



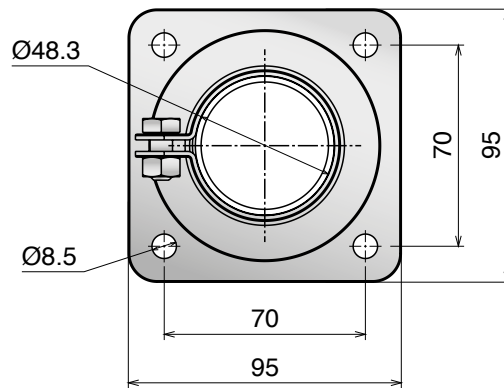
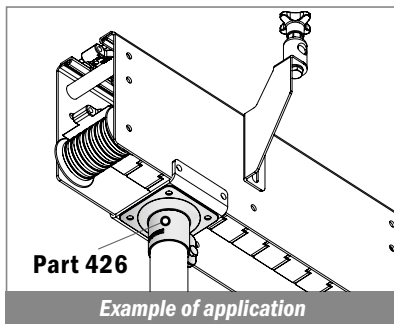
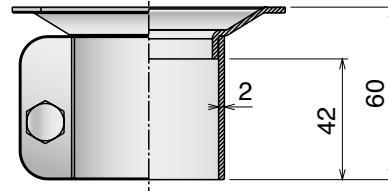
## 426 Testata d'appoggio Support head / Stützkopf

Stainless Steel | AISI 304

Screw included

Part Article-Nr.

426 42601

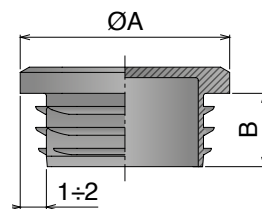


## 432 Tappo per tubo metrico tondo e quadro Plug for round and square metric tube / Runde und Quadratische Lamellenstopfen für metrische Rohre

RANGE EXTENSION

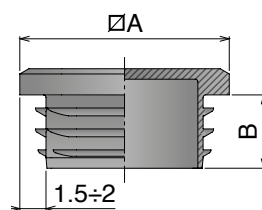
Delivery: **Easy** Standard

| Part | Article-Nr. | ØA | B  | Type |
|------|-------------|----|----|------|
| 432  | 43202       | 20 | 11 | A    |
| 432  | 43203       | 25 | 14 | A    |
| 432  | 43204       | 30 | 14 | A    |
| 432  | 43205       | 35 | 14 | A    |
| 432  | 43206       | 40 | 14 | A    |
| 432  | 43201       | 48 | 14 | A    |
| 432  | 43207       | 50 | 17 | A    |

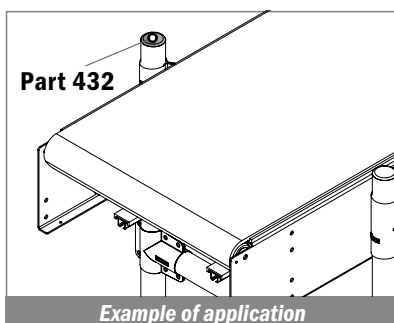


TYPE A - Rounded

| Part | Article-Nr. | ∇A      | B  | Type |
|------|-------------|---------|----|------|
| 432  | 43252       | 20 x 20 | 11 | B    |
| 432  | 43253       | 25 x 25 | 14 | B    |
| 432  | 43254       | 30 x 30 | 14 | B    |
| 432  | 43255       | 35 x 35 | 14 | B    |
| 432  | 43256       | 40 x 40 | 14 | B    |
| 432  | 43251       | 50 x 50 | 14 | B    |
| 432  | 43257       | 60 x 60 | 14 | B    |



TYPE B - Square

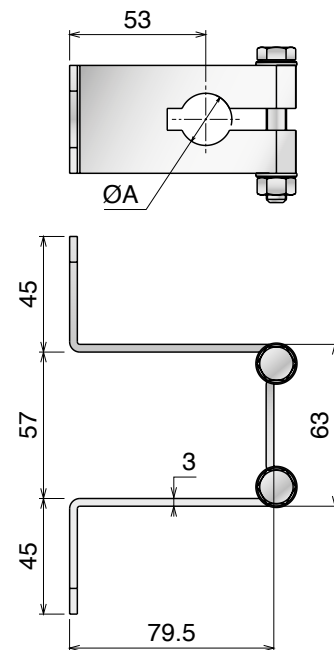
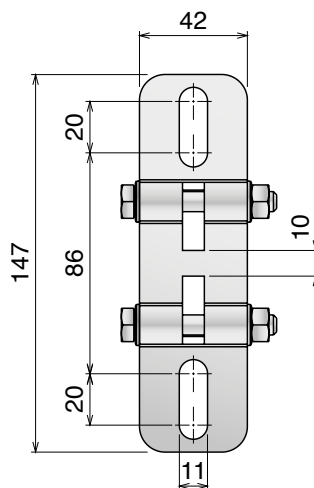
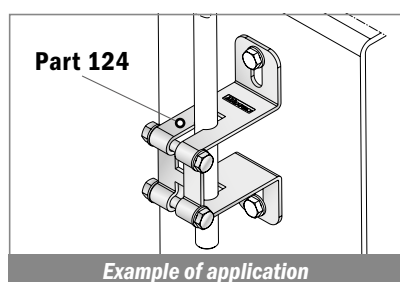


## 427 Supporto laterale Side bracket / Seitenhalter

Stainless Steel | AISI 304

Delivery: **Easy** Standard

| Part | Article-Nr. | ØA |
|------|-------------|----|
| 427  | 42701       | 16 |
| 427  | 42702       | 20 |

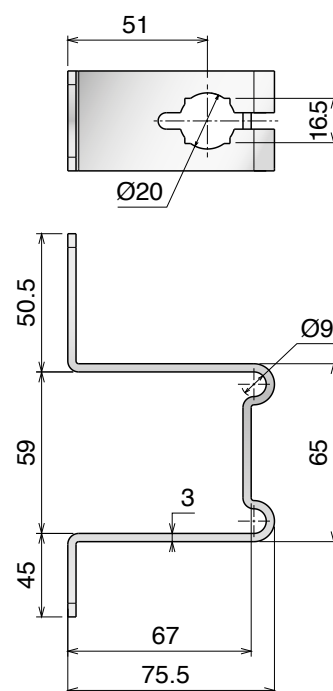
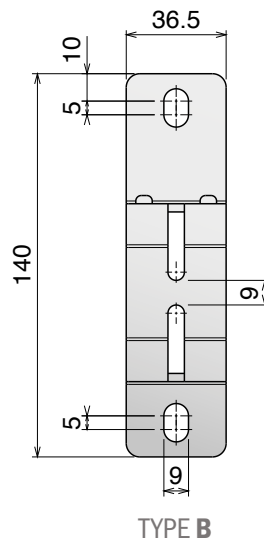
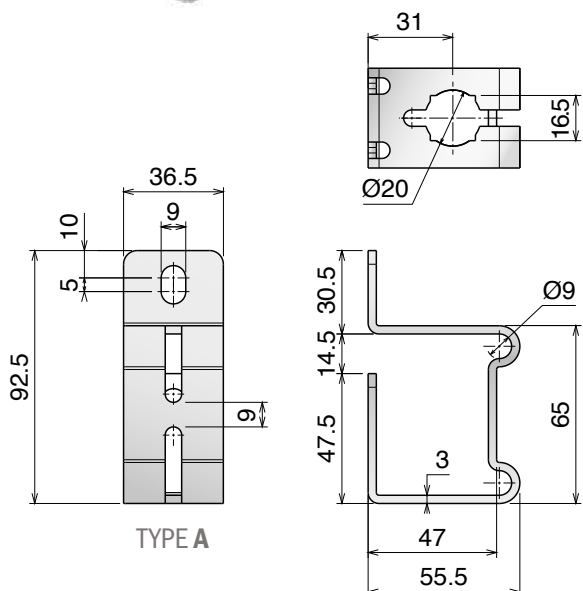


## NEW 343 Supporto laterale Side bracket / Seitenhalter

Stainless Steel | AISI 304

Delivery: **Easy** Standard

| Part | Article-Nr. | Type |
|------|-------------|------|
| 343  | 34301       | A    |
| 343  | 34302       | B    |





**Materiale / Material / Materialien:**

Giunto: Poliammide / Joint: Polyamide / Verbinder: Polyamid

Viti e rondelle: Acciaio inox / Screws and washers: Stainless steel / Schrauben und Scheibe: Edelstahl

Inserti e dadi: Acciaio inox / Inserts nuts: Stainless steel / Mutter: Edelstahl

# 425-413

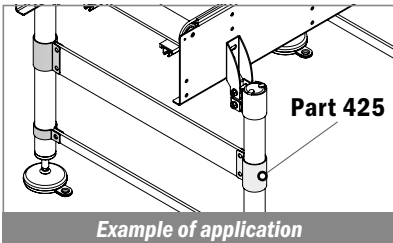
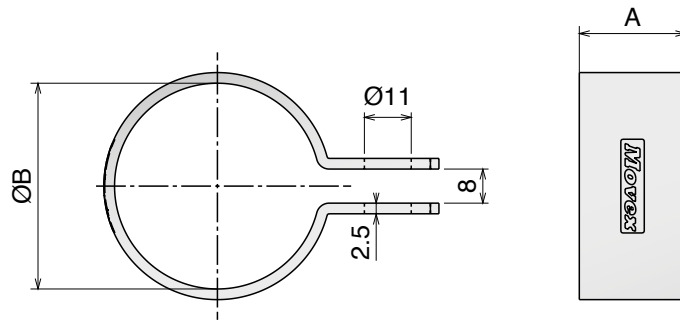
Componenti di supporto / Conveyor support components / Stützelemente

## 425 Morsetto a collare (acciaio inox) Clamp collar (SS) / Klemmschelle (Edelstahl)

Stainless Steel | AISI 304

Delivery: **Easy** Standard

| Part | Article-Nr. | A    | ØB   |
|------|-------------|------|------|
| 425  | 42501       | 25   | 48,3 |
| 425  | 42511       | 25   | 50,8 |
| 425  | 42521       | 76,2 | 50,8 |

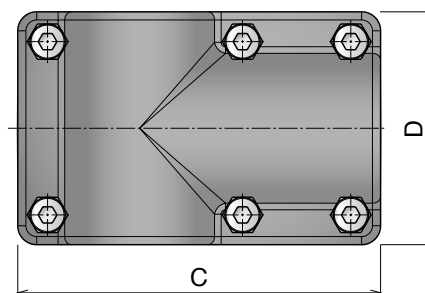
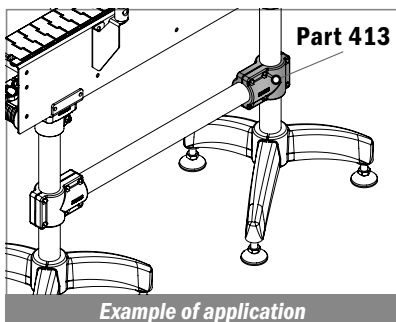
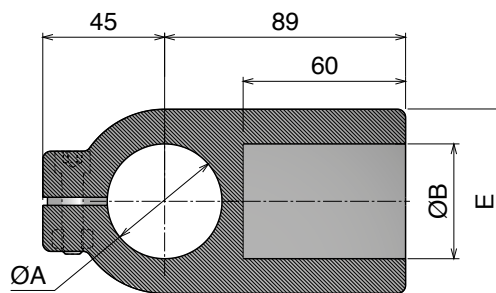


## 413 Giunto di collegamento Connecting joint / Verbindungselement

RANGE EXTENSION

Delivery: **Easy** Standard Max recommended tightening torque 1,5 kgm

| Part | Article-Nr. | ØA   | ØB   | C   | D  | E  |
|------|-------------|------|------|-----|----|----|
| 413  | 41301       | 48,3 | 48,3 | 134 | 86 | 68 |
| 413  | 41304       | 50,9 | 50,9 | 134 | 86 | 68 |
| 413  | 41302       | 60,3 | 48,3 | 146 | 98 | 80 |
| 413  | 41303       | 60,3 | 60,3 | 146 | 98 | 80 |



# 433-414

Componenti di supporto / Conveyor support components / Stützelemente

### Materiale / Material / Materialien:

Giunto: Poliammide / Joint: Polyamide / Verbinder: Polyamid

Viti e rondelle: Acciaio inox / Screws and washers: Stainless steel / Schrauben und Scheibe: Edelstahl

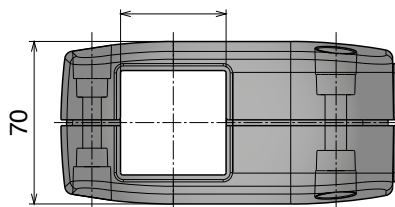
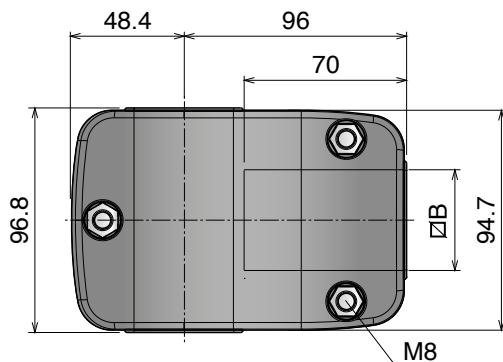
Inserti e dadi: Acciaio inox / Inserts nuts: Stainless steel / Mutter: Edelstahl

## NEW 433

Giunto di collegamento per tubi quadrati

Connecting joint for square tubes / Verbindungselement für vierkant Rohre

Delivery: **Easy** Standard



| Part | Article-Nr. | ∅A | ∅B |
|------|-------------|----|----|
| 433  | 43301       | 30 | 30 |
| 433  | 43302       | 40 | 40 |
| 433  | 43303       | 45 | 45 |
| 433  | 43304       | 50 | 50 |

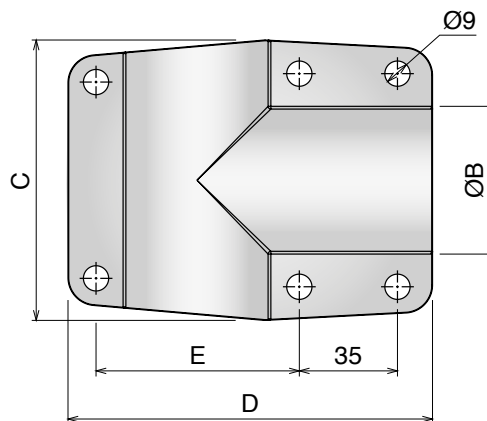
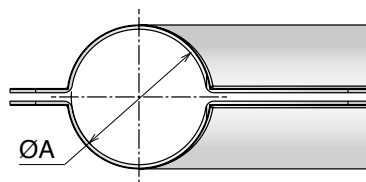
## 414

Giunto di collegamento (acciaio inox)

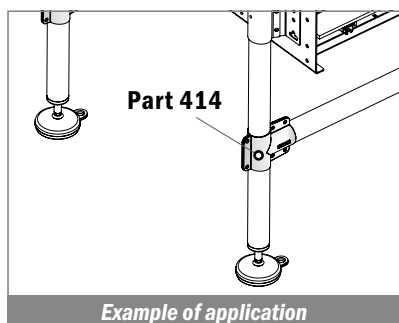
Connecting joint (SS) / Verbindungselement (Edelstahl)

Stainless Steel | AISI 304

Delivery: **Easy** Standard Max recommended tightening torque 2,5 kgm



| Part | Article-Nr. | ∅A   | ∅B   | C   | D   | E    |
|------|-------------|------|------|-----|-----|------|
| 414  | 41401       | 48,3 | 48,3 | 100 | 130 | 72,5 |
| 414  | 41402       | 60,3 | 60,3 | 110 | 150 | 92,5 |



**Materiale / Material / Materialien:**

Tappo: Poliammide / Plug: Polyamide / Stopfen: Polyamid

Inseri: PA o Ottone / Inserts: PA or Brass

Einsatz: PA oder Messing

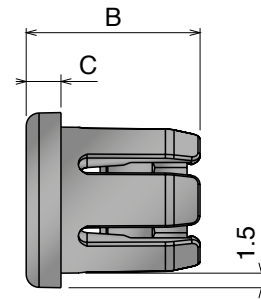
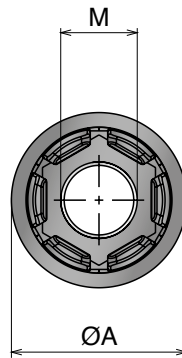
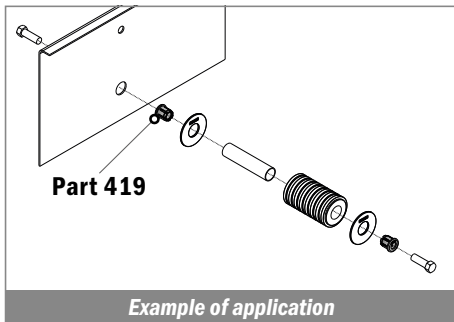
## 419 Tappi ad espansione Expansions plugs / Gewindezapfen, Spreizbar

Delivery: **Easy** Standard



**Brass insert  
High Strength**

| Part | Article-Nr. |         | ØA   | B  | C | M   |
|------|-------------|---------|------|----|---|-----|
|      | Brass Bush  | PA Bush |      |    |   |     |
| 419  | 41907       | -       | 20   | 19 | 3 | M8  |
| 419  | 41908       | -       | 20   | 19 | 3 | M10 |
| 419  | 41901       | -       | 20   | 20 | 4 | M8  |
| 419  | 41902       | -       | 20   | 20 | 4 | M10 |
| 419  | 41903       | 41913   | 38   | 40 | 5 | M8  |
| 419  | 41904       | 41914   | 38   | 40 | 5 | M10 |
| 419  | 41905       | 41915   | 42,4 | 40 | 5 | M8  |
| 419  | 41906       | 41916   | 42,4 | 40 | 5 | M10 |



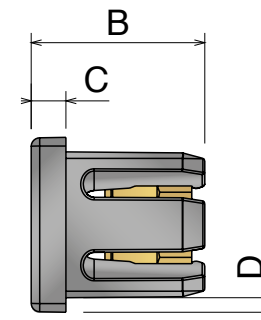
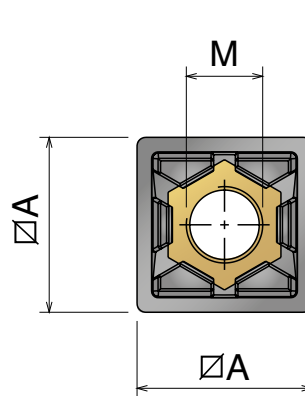
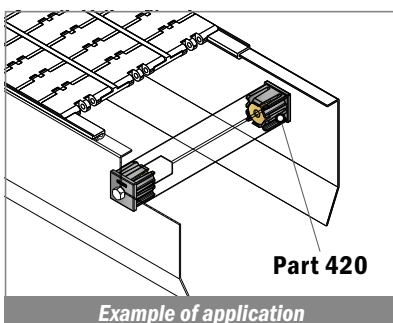
## 420 Tappi ad espansione Expansions plugs / Gewindezapfen, Spreizbar

Delivery: **Easy** Standard



**Brass insert  
High Strength**

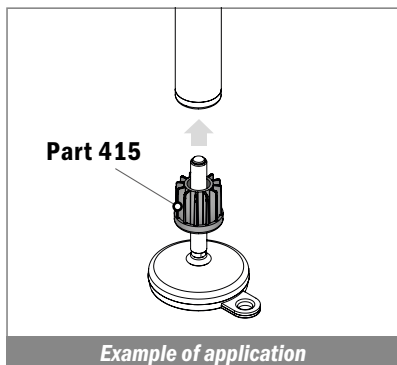
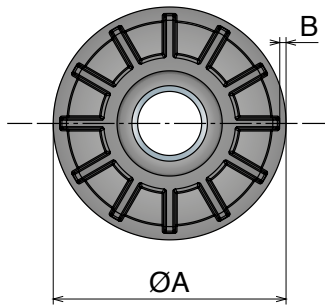
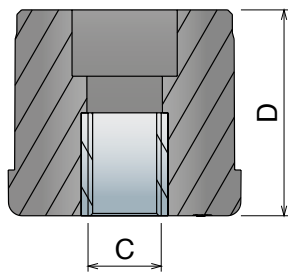
| Part | Article-Nr. |         | ∅A | B  | C | D   | M   |
|------|-------------|---------|----|----|---|-----|-----|
|      | Brass Bush  | PA Bush |    |    |   |     |     |
| 420  | 42001       | -       | 20 | 20 | 4 | 1,5 | M8  |
| 420  | 42002       | -       | 20 | 20 | 4 | 1,5 | M10 |
| 420  | 42003       | -       | 20 | 20 | 4 | 2   | M8  |
| 420  | 42004       | -       | 20 | 20 | 4 | 2   | M10 |
| 420  | 42005       | 42015   | 40 | 40 | 5 | 2   | M8  |
| 420  | 42006       | 42016   | 40 | 40 | 5 | 2   | M10 |



## 415 Tappi tondi filettati Threaded bushings for round tubes / Gewindezapfen f. Rund-Rohr

**RANGE EXTENSION**

| Delivery: | Easy | Standard | Part | Art.-Nr. | ØA   | B   | C   | D  | Part | Art.-Nr. | ØA   | B   | C   | D  |
|-----------|------|----------|------|----------|------|-----|-----|----|------|----------|------|-----|-----|----|
|           |      |          | 415  | 415001   | 20   | 2   | M8  | 23 | 415  | 41550    |      |     | M10 | 48 |
|           |      |          | 415  | 415002   |      |     | M8  | 26 | 415  | 41551    |      |     | M12 | 48 |
|           |      |          | 415  | 415003   | 25   | 2   | M10 | 26 | 415  | 41552    | 48,3 | 1,5 | M14 | 48 |
|           |      |          | 415  | 415004   |      |     | M12 | 26 | 415  | 41501    |      |     | M16 | 48 |
|           |      |          | 415  | 41507    |      |     | M10 | 33 | 415  | 41502    |      |     | M20 | 48 |
|           |      |          | 415  | 41508    | 30   | 1   | M12 | 33 | 415  | 41553    |      |     | M10 | 55 |
|           |      |          | 415  | 41509    |      |     | M14 | 33 | 415  | 41554    |      |     | M12 | 55 |
|           |      |          | 415  | 41510    |      |     | M16 | 33 | 415  | 41555    | 48,3 | 2   | M14 | 55 |
|           |      |          | 415  | 41511    |      |     | M10 | 33 | 415  | 41556    |      |     | M16 | 55 |
|           |      |          | 415  | 41512    | 30   | 1,5 | M12 | 33 | 415  | 41557    |      |     | M20 | 55 |
|           |      |          | 415  | 41513    |      |     | M14 | 33 | 415  | 41558    |      |     | M10 | 45 |
|           |      |          | 415  | 41514    |      |     | M16 | 33 | 415  | 41559    |      |     | M12 | 45 |
|           |      |          | 415  | 41515    | 30   | 2   | M10 | 33 | 415  | 41560    | 48,3 | 2,5 | M14 | 45 |
|           |      |          | 415  | 41516    |      |     | M12 | 33 | 415  | 41561    |      |     | M16 | 45 |
|           |      |          | 415  | 41517    | 30   | 2   | M14 | 33 | 415  | 41562    |      |     | M20 | 45 |
|           |      |          | 415  | 41518    |      |     | M16 | 33 | 415  | 41563    |      |     | M10 | 45 |
|           |      |          | 415  | 41519    | 30   |     | M10 | 33 | 415  | 41564    |      |     | M12 | 45 |
|           |      |          | 415  | 41520    |      |     | M12 | 33 | 415  | 41565    | 50   | 1,5 | M14 | 45 |
|           |      |          | 415  | 41521    | 30   | 2,5 | M14 | 33 | 415  | 41503    |      |     | M16 | 45 |
|           |      |          | 415  | 41522    |      |     | M16 | 33 | 415  | 41504    |      |     | M20 | 45 |
|           |      |          | 415  | 41523    |      |     | M10 | 40 | 415  | 415015   |      |     | M10 | 45 |
|           |      |          | 415  | 41524    |      |     | M12 | 40 | 415  | 415016   |      |     | M12 | 45 |
|           |      |          | 415  | 41525    | 38   | 1,5 | M14 | 40 | 415  | 415017   | 50   | 3   | M14 | 45 |
|           |      |          | 415  | 41526    |      |     | M16 | 40 | 415  | 415018   |      |     | M16 | 45 |
|           |      |          | 415  | 41527    |      |     | M10 | 40 | 415  | 415019   |      |     | M20 | 45 |
|           |      |          | 415  | 41528    | 38   | 2   | M12 | 40 | 415  | 41566    |      |     | M10 | 50 |
|           |      |          | 415  | 41529    |      |     | M14 | 40 | 415  | 41567    |      |     | M12 | 50 |
|           |      |          | 415  | 41530    |      |     | M16 | 40 | 415  | 41568    | 50,9 | 1,5 | M14 | 50 |
|           |      |          | 415  | 41531    |      |     | M10 | 40 | 415  | 41569    |      |     | M16 | 50 |
|           |      |          | 415  | 41532    | 38   | 2,5 | M12 | 40 | 415  | 41570    |      |     | M20 | 50 |
|           |      |          | 415  | 41533    |      |     | M14 | 40 | 415  | 41571    |      |     | M10 | 45 |
|           |      |          | 415  | 41534    |      |     | M16 | 40 | 415  | 41572    |      |     | M12 | 45 |
|           |      |          | 415  | 415005   |      |     | M8  | 40 | 415  | 41573    | 50,9 | 2   | M14 | 45 |
|           |      |          | 415  | 415006   |      |     | M10 | 40 | 415  | 41574    |      |     | M16 | 45 |
|           |      |          | 415  | 415007   | 40   | 3   | M12 | 40 | 415  | 41575    |      |     | M20 | 45 |
|           |      |          | 415  | 415008   |      |     | M14 | 40 | 415  | 41576    |      |     | M10 | 45 |
|           |      |          | 415  | 415009   |      |     | M16 | 40 | 415  | 41577    |      |     | M12 | 45 |
|           |      |          | 415  | 41535    |      |     | M10 | 43 | 415  | 41578    | 50,9 | 2,5 | M14 | 45 |
|           |      |          | 415  | 41536    |      |     | M12 | 43 | 415  | 41579    |      |     | M16 | 45 |
|           |      |          | 415  | 41537    | 42,4 | 1,5 | M14 | 43 | 415  | 41580    |      |     | M20 | 45 |
|           |      |          | 415  | 41538    |      |     | M16 | 43 | 415  | 415020   |      |     | M10 | 55 |
|           |      |          | 415  | 41539    |      |     | M20 | 43 | 415  | 415021   |      |     | M12 | 55 |
|           |      |          | 415  | 41540    |      |     | M10 | 43 | 415  | 415022   | 60,3 | 1,2 | M14 | 55 |
|           |      |          | 415  | 41541    | 42,4 | 2   | M12 | 43 | 415  | 415023   |      |     | M16 | 55 |
|           |      |          | 415  | 41542    |      |     | M14 | 43 | 415  | 415024   |      |     | M20 | 55 |
|           |      |          | 415  | 41543    |      |     | M16 | 43 | 415  | 41581    |      |     | M10 | 55 |
|           |      |          | 415  | 41544    |      |     | M20 | 43 | 415  | 41582    |      |     | M12 | 55 |
|           |      |          | 415  | 41545    |      |     | M10 | 43 | 415  | 41583    | 60,3 | 1,5 | M14 | 55 |
|           |      |          | 415  | 41546    |      |     | M12 | 43 | 415  | 41584    |      |     | M16 | 55 |
|           |      |          | 415  | 41547    | 42,4 | 2,5 | M14 | 43 | 415  | 41585    |      |     | M20 | 55 |
|           |      |          | 415  | 41548    |      |     | M16 | 43 | 415  | 41586    |      |     | M10 | 55 |
|           |      |          | 415  | 41549    |      |     | M20 | 43 | 415  | 41587    |      |     | M12 | 55 |
|           |      |          | 415  | 415010   |      |     | M10 | 48 | 415  | 41588    | 60,3 | 2   | M14 | 55 |
|           |      |          | 415  | 415011   |      |     | M12 | 48 | 415  | 41505    |      |     | M16 | 55 |
|           |      |          | 415  | 415012   | 45   | 3   | M14 | 48 | 415  | 41506    |      |     | M20 | 55 |
|           |      |          | 415  | 415013   |      |     | M16 | 48 | 415  | 41589    |      |     | M10 | 55 |
|           |      |          | 415  | 415014   |      |     | M20 | 48 | 415  | 41590    |      |     | M12 | 55 |
|           |      |          |      |          |      |     |     |    | 415  | 41591    | 60,3 | 2,5 | M14 | 55 |
|           |      |          |      |          |      |     |     |    | 415  | 41592    |      |     | M16 | 55 |
|           |      |          |      |          |      |     |     |    | 415  | 41593    |      |     | M20 | 55 |

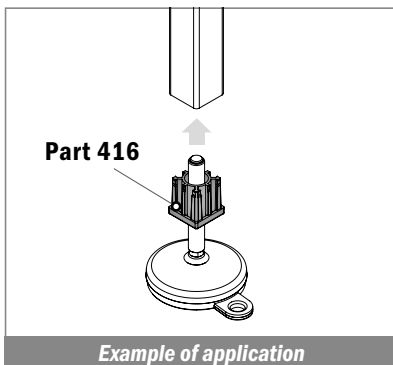
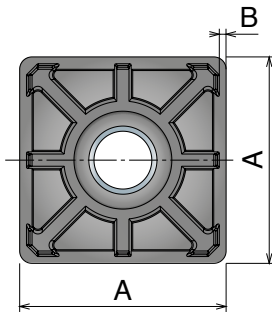
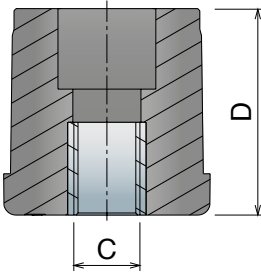


# 416 Tappi quadrati filettati

Threaded bushings for square tubes / Gewindezapfen f. Vierkant-Rohr

RANGE EXTENSION

Delivery: **Easy** Standard



| Part | Article-Nr. | A    | B   | C   | D  | Part | Article-Nr. | A  | B   | C   | D  |
|------|-------------|------|-----|-----|----|------|-------------|----|-----|-----|----|
| 416  | 416001      | 20   | 1,5 | M8  | 26 | 416  | 416003      |    |     | M10 | 38 |
| 416  | 416002      | 20   | 2   | M8  | 26 | 416  | 416004      |    |     | M12 | 38 |
| 416  | 41601       | 25   | 1,5 | M10 | 26 | 416  | 416005      | 45 | 3   | M14 | 38 |
| 416  | 41602       |      |     | M12 | 26 | 416  | 416006      |    |     | M16 | 38 |
| 416  | 41611       |      |     | M10 | 33 | 416  | 416007      |    |     | M20 | 38 |
| 416  | 41603       | 30   | 1,5 | M12 | 33 | 416  | 41648       |    |     | M10 | 50 |
| 416  | 41612       |      |     | M14 | 33 | 416  | 41649       |    |     | M12 | 50 |
| 416  | 41604       |      |     | M16 | 33 | 416  | 41650       | 50 | 1,2 | M14 | 50 |
| 416  | 41613       |      |     | M10 | 33 | 416  | 41651       |    |     | M16 | 50 |
| 416  | 41614       | 30   | 2   | M12 | 33 | 416  | 41652       |    |     | M20 | 50 |
| 416  | 41615       |      |     | M14 | 33 | 416  | 41653       |    |     | M10 | 50 |
| 416  | 41616       |      |     | M16 | 33 | 416  | 41654       |    |     | M12 | 50 |
| 416  | 41617       |      |     | M10 | 38 | 416  | 41655       | 50 | 1,5 | M14 | 50 |
| 416  | 41618       |      |     | M12 | 38 | 416  | 41656       |    |     | M16 | 50 |
| 416  | 41619       | 35   | 1,5 | M14 | 38 | 416  | 41657       |    |     | M20 | 50 |
| 416  | 41620       |      |     | M16 | 38 | 416  | 41658       |    |     | M10 | 50 |
| 416  | 41621       |      |     | M20 | 38 | 416  | 41659       |    |     | M12 | 50 |
| 416  | 41622       |      |     | M10 | 43 | 416  | 41660       | 50 | 2   | M14 | 50 |
| 416  | 41623       |      |     | M12 | 43 | 416  | 41609       |    |     | M16 | 50 |
| 416  | 41624       | 35   | 2   | M14 | 43 | 416  | 41610       |    |     | M20 | 50 |
| 416  | 41625       |      |     | M16 | 43 | 416  | 41661       |    |     | M10 | 50 |
| 416  | 41626       |      |     | M20 | 43 | 416  | 41662       |    |     | M12 | 50 |
| 416  | 41681       |      |     | M10 | 43 | 416  | 41663       | 50 | 2,5 | M14 | 50 |
| 416  | 41682       |      |     | M12 | 43 | 416  | 41664       |    |     | M16 | 50 |
| 416  | 41683       | 38,1 | 1,6 | M14 | 43 | 416  | 41665       |    |     | M20 | 50 |
| 416  | 41684       |      |     | M16 | 43 | 416  | 41666       |    |     | M10 | 50 |
| 416  | 41685       |      |     | M20 | 43 | 416  | 41667       |    |     | M12 | 50 |
| 416  | 41686       |      |     | M10 | 43 | 416  | 41668       | 50 | 3   | M14 | 50 |
| 416  | 41687       |      |     | M12 | 43 | 416  | 41669       |    |     | M16 | 50 |
| 416  | 41688       | 38,1 | 3   | M14 | 43 | 416  | 41670       |    |     | M20 | 50 |
| 416  | 41689       |      |     | M16 | 43 | 416  | 41671       |    |     | M10 | 55 |
| 416  | 41690       |      |     | M20 | 43 | 416  | 41672       |    |     | M12 | 55 |
| 416  | 41627       |      |     | M10 | 38 | 416  | 41673       | 60 | 2   | M14 | 55 |
| 416  | 41628       |      |     | M12 | 38 | 416  | 41674       |    |     | M16 | 55 |
| 416  | 41629       | 40   | 1,2 | M14 | 38 | 416  | 41675       |    |     | M20 | 55 |
| 416  | 41630       |      |     | M16 | 38 | 416  | 41676       |    |     | M10 | 55 |
| 416  | 41631       |      |     | M20 | 38 | 416  | 41677       |    |     | M12 | 55 |
| 416  | 41632       |      |     | M10 | 43 | 416  | 41678       | 60 | 3   | M14 | 55 |
| 416  | 41605       |      |     | M12 | 43 | 416  | 41679       |    |     | M16 | 55 |
| 416  | 41633       | 40   | 1,5 | M14 | 43 | 416  | 41680       |    |     | M20 | 55 |
| 416  | 41606       |      |     | M16 | 43 | 416  | 41608       | 80 | 3   | M14 | 55 |
| 416  | 41634       |      |     | M20 | 43 | 416  | 41609       |    |     | M16 | 55 |
| 416  | 41635       |      |     | M10 | 43 | 416  | 416010      |    |     | M20 | 55 |
| 416  | 41636       |      |     | M12 | 43 |      |             |    |     |     |    |
| 416  | 41637       | 40   | 2   | M14 | 45 |      |             |    |     |     |    |
| 416  | 41607       |      |     | M16 | 45 |      |             |    |     |     |    |
| 416  | 41608       |      |     | M20 | 45 |      |             |    |     |     |    |
| 416  | 41638       |      |     | M10 | 38 |      |             |    |     |     |    |
| 416  | 41639       |      |     | M12 | 38 |      |             |    |     |     |    |
| 416  | 41640       | 40   | 2,5 | M14 | 38 |      |             |    |     |     |    |
| 416  | 41641       |      |     | M16 | 38 |      |             |    |     |     |    |
| 416  | 41642       |      |     | M20 | 38 |      |             |    |     |     |    |
| 416  | 41643       |      |     | M10 | 38 |      |             |    |     |     |    |
| 416  | 41644       |      |     | M12 | 38 |      |             |    |     |     |    |
| 416  | 41645       | 45   | 2   | M14 | 38 |      |             |    |     |     |    |
| 416  | 41646       |      |     | M16 | 38 |      |             |    |     |     |    |
| 416  | 41647       |      |     | M20 | 38 |      |             |    |     |     |    |

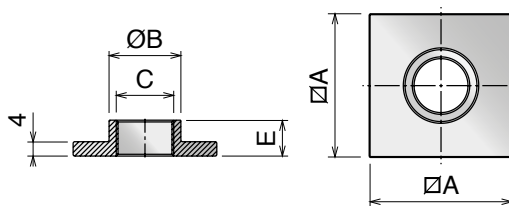
## 428 Tappi quadrati filettati Threaded bushings for square tube / Gewindezapfen f. Vierkant-Rohr

Stainless Steel | AISI 304

Delivery: **Easy** Standard



| Part | Article-Nr. | ∅A | C   | ∅B | E    |
|------|-------------|----|-----|----|------|
| 428  | 42801       | 40 | M16 | 20 | 10   |
| 428  | 42802       | 40 | M20 | 23 | 11,5 |
| 428  | 42803       | 45 | M16 | 20 | 10   |
| 428  | 42804       | 45 | M20 | 23 | 11,5 |
| 428  | 42805       | 50 | M16 | 20 | 10   |
| 428  | 42806       | 50 | M20 | 23 | 11,5 |
| 428  | 42807       | 60 | M16 | 20 | 10   |
| 428  | 42808       | 60 | M20 | 23 | 11,5 |



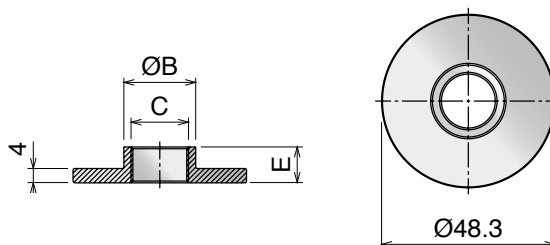
## 429 Tappi tondi filettati Threaded bushings for round tube / Gewindezapfen f. Rund-Rohr

Stainless Steel | AISI 304

Delivery: **Easy** Standard



| Part | Article-Nr. | C   | ∅B | E    |
|------|-------------|-----|----|------|
| 429  | 42901       | M16 | 20 | 10   |
| 429  | 42902       | M20 | 23 | 11,5 |



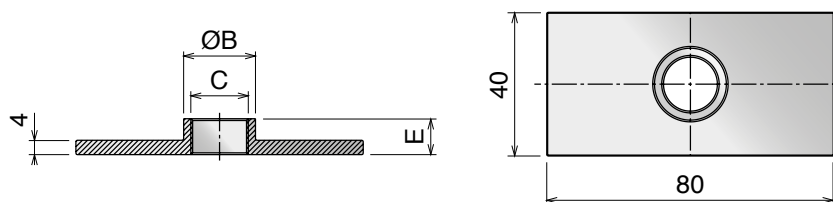
## 430 Tappi rettangolari filettati Threaded bushings for rectangular tube / Gewindezapfen f. Rechteck

Stainless Steel | AISI 304

Delivery: **Easy** Standard

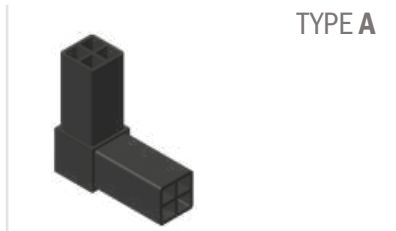


| Part | Article-Nr. | C   | ∅B | E    |
|------|-------------|-----|----|------|
| 430  | 43001       | M16 | 20 | 10   |
| 430  | 43002       | M20 | 23 | 11,5 |



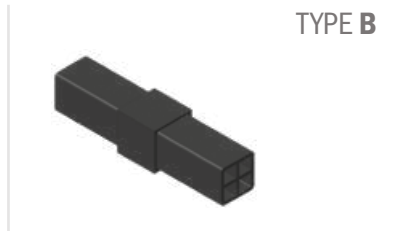
## 418 Giunto di collegamento Connecting joint / Verbindungselement

Delivery: **Easy** **Standard** For tubes 25 x 25 x 1.5 mm



TYPE A

| Part | Article-Nr. | Type |
|------|-------------|------|
| 418  | 41801       | A    |



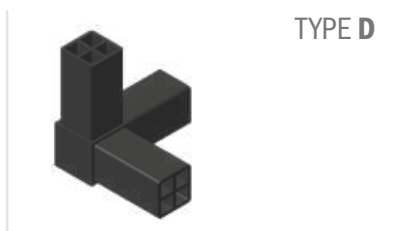
TYPE B

| Part | Article-Nr. | Type |
|------|-------------|------|
| 418  | 41802       | B    |



TYPE C

| Part | Article-Nr. | Type |
|------|-------------|------|
| 418  | 41803       | C    |



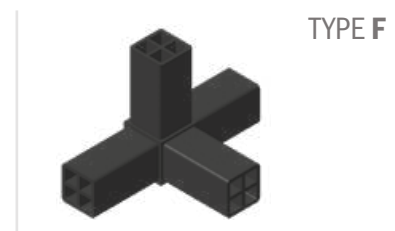
TYPE D

| Part | Article-Nr. | Type |
|------|-------------|------|
| 418  | 41804       | D    |



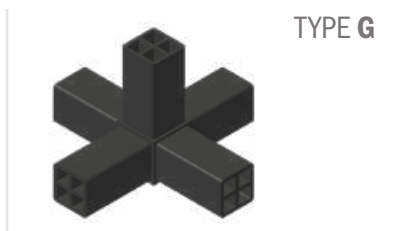
TYPE E

| Part | Article-Nr. | Type |
|------|-------------|------|
| 418  | 41805       | E    |



TYPE F

| Part | Article-Nr. | Type |
|------|-------------|------|
| 418  | 41806       | F    |



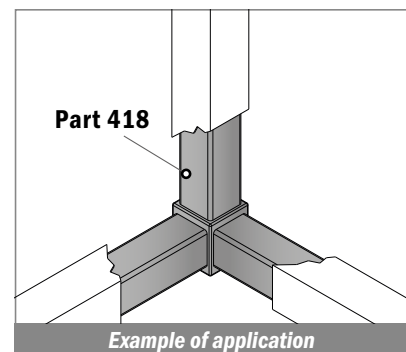
TYPE G

| Part | Article-Nr. | Type |
|------|-------------|------|
| 418  | 41807       | G    |



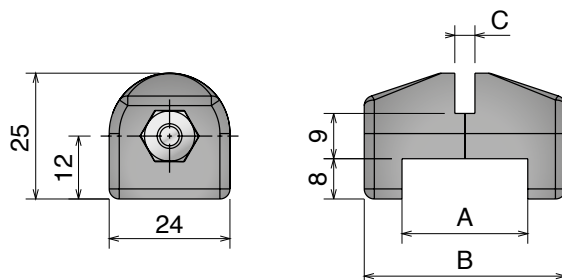
TYPE H

| Part | Article-Nr. | Type |
|------|-------------|------|
| 418  | 41808       | H    |

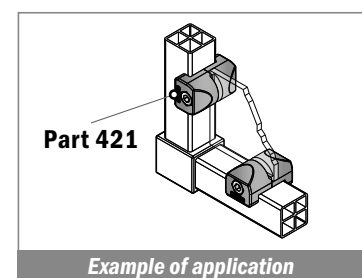


## 421 Blocco per pannelli Panel clamp / Panelklemme

Delivery: **Easy** **Standard**



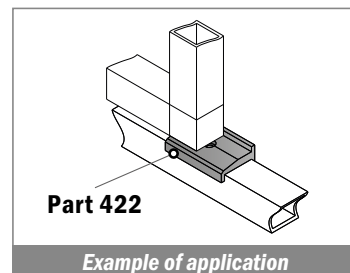
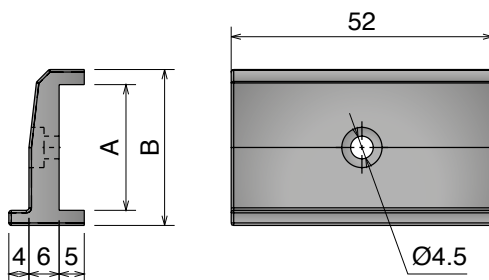
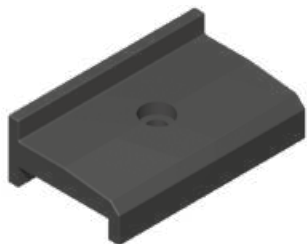
| Part | Article-Nr. | A  | B  | C |
|------|-------------|----|----|---|
| 421  | 42101       | 25 | 40 | 4 |
| 421  | 42102       | 25 | 40 | 5 |
| 421  | 42103       | 25 | 40 | 6 |
| 421  | 42104       | 30 | 45 | 4 |
| 421  | 42105       | 30 | 45 | 5 |
| 421  | 42106       | 30 | 45 | 6 |



## 422 Fermaporta Door stop / Türstopper

Delivery: **Easy** **Standard**

| Part | Article-Nr. | A  | B  |
|------|-------------|----|----|
| 422  | 42201       | 25 | 31 |

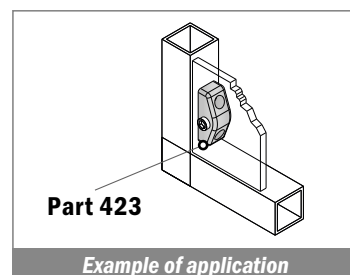
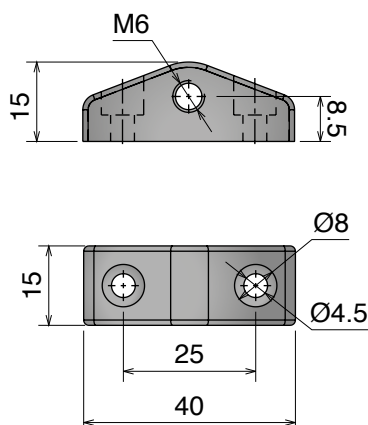


## 423 Blocchetto di fissaggio Fixing lock / Anschlag

Delivery: **Easy** **Standard**

Part Article-Nr.

423 42301

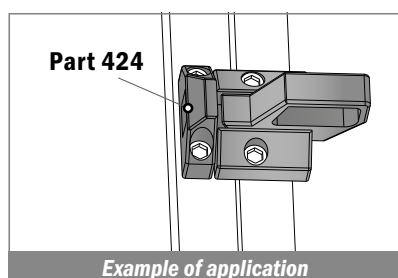
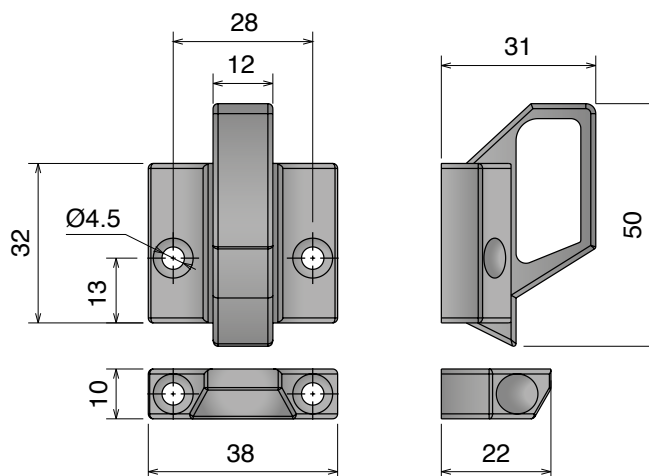


## 424 Fermaporta a molla Spring loaded latch / Türverschluss

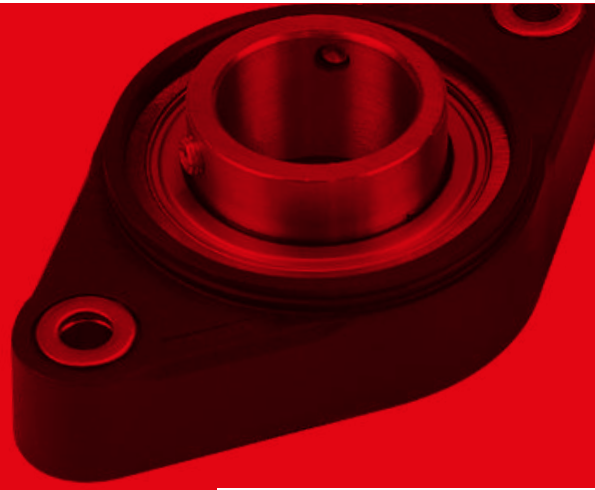
Delivery: **Easy** **Standard**

Part Article-Nr.

424 42401







NOW ALSO IN HYGIENIC BLUE 

## UCFL Series



Pag 530

Pag 533

## UCF Series



Pag 536

Pag 539

## UCFA Series



Pag 542

## UCFA Series



Pag 544

## UCFL-H / UCF-H Series



Pag 546

## CL / CS Series



Pag 548

## SUCF / SUCFL / SUCFK Series



Pag 551

## HYGIENIC Series - White/blue



Pag 553

Pag 554

Pag 555

Pag 554

Pag 555

## HYGIENIC Accessories



Pag 556

## UCFL

Delivery: **Easy** Standard

### Componenti

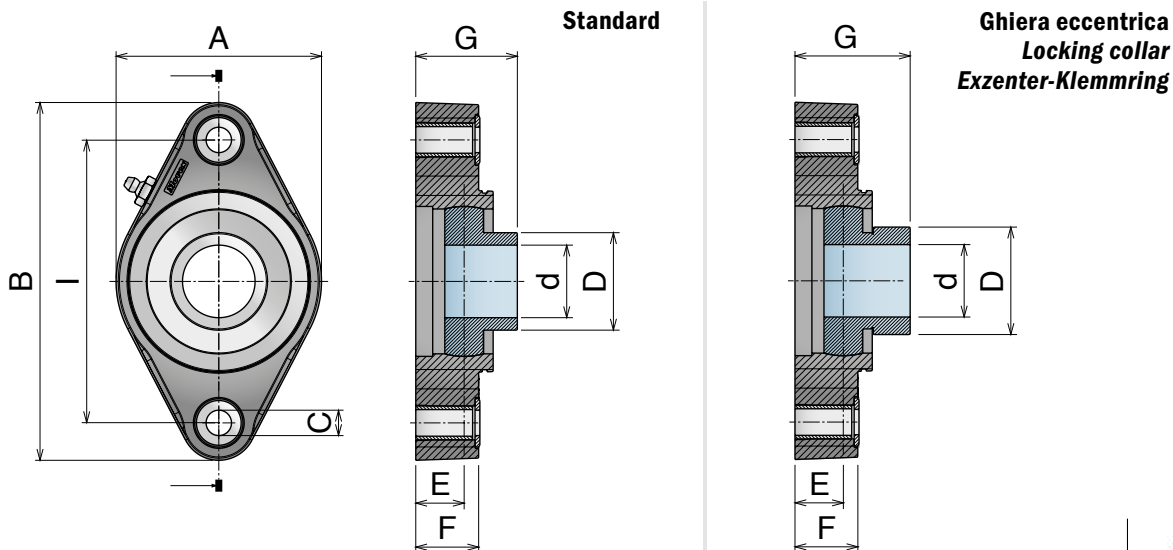
- Sede in poliammide rinforzato, con elevata resistenza meccanica e ottima resistenza contro agenti chimici corrosivi quali acqua, oli, benzina e liquidi contenenti alcool. Tutti i nostri cuscinetti possono essere utilizzati ad una temperatura compresa fra 0°C e +80°C.
- I cuscinetti sono realizzati in acciaio al cromo, disponibili anche, su richiesta, nella versione in acciaio inox. Il cuscinetto all'interno della flangia può essere regolato di 2,5°.
- L'ingrassatore viene realizzato in ferro nichelato, o in acciaio inox nella versione con il cuscinetto in acciaio inox.
- Distanziali realizzati in ottone nichelato per rinforzare il foro di fissaggio.
- Rondella in acciaio inox.

### Components

- *Housing in reinforced polyamide, with higher load capacity and good resistance to corrosive chemicals such as water, oils, petrol and alcoholic beverages. All our bearings can be used at temperatures between 0°C and +80°C.*
- *Ball bearings are made in chrome steel. They are also available, upon request, in stainless steel. Max misalignment between shaft and housing: 2.5°.*
- *Grease nipple are made in nickel plated steel, but they can also be made in stainless steel on the stainless steel bearing.*
- *Spacers from nickel plated brass to reinforce fixing holes.*
- *Washer stainless steel.*

### Komponenten

- *Gehäuse gefertigt aus verstärktem Polyamid. Dies gewährleistet eine gute Widerstandsfähigkeit gegenüber mechanischen Einflüssen und eine gute Korrosionsbeständigkeit gegenüber Wasser, Ölen, Benzin, Flüssigkeiten mit Alkohol und Chemikalien. Alle unsere Gehäuse-Lagereinheiten können in einem Temperaturbereich von 0°C bis +80°C eingesetzt werden.*
- *Die Lagereinsätze sind aus Chrom-Stahl, auf Anfrage auch in Edelstahl erhältlich. Alle Lager gleichen einen Fluchtungsfehler von bis zu 2,5° selbstständig aus.*
- *Die Schmiernippel sind aus vernickeltem Stahl (aus Edelstahl wenn die Ausführung mit Edelstahl Einsatz gefragt ist).*
- *Alle Distanzstücke sind aus vernickeltem Messing und verstärken die Befestigungsbohrungen.*
- *Alle Unterlegscheiben aus Edelstahl.*



**Inserto standard / Standard insert / Standard-Flanschlager**

| Chrome Steel | Part  | Article-Nr. | Series       | d   | I   | A   | B   | C  | D    | E    | F    | G     | Article-Nr. |
|--------------|-------|-------------|--------------|-----|-----|-----|-----|----|------|------|------|-------|-------------|
|              | 801   | 80110       | UCFL 204     | 20  | 90  | 62  | 116 | 11 | 29   | 16   | 20   | 34    | 89004       |
|              | 801   | 80100       | UCFL 204     | 20  | 90  | 71  | 130 | 11 | 29   | 17,5 | 22,5 | 33,5  | 89001       |
|              | 801   | 80121       | UCFL 205/90  | 25  | 90  | 85  | 116 | 11 | 34   | 14,5 | 20   | 34    | 89005       |
|              | 801   | 80101       | UCFL 205/90  | 25  | 90  | 71  | 130 | 11 | 34   | 16,8 | 22,5 | 36,3  | 89001       |
|              | 801   | 80111       | UCFL 205     | 25  | 99  | 71  | 130 | 11 | 34   | 16,8 | 22,5 | 36,3  | 89001       |
|              | 801   | 80122       | UCFL 206/90  | 30  | 90  | 85  | 116 | 11 | 40,3 | 14,5 | 20   | 36,5  | 89005       |
|              | 801   | 80132       | UCFL 206/99  | 30  | 99  | 85  | 130 | 11 | 40,3 | 20   | 26   | 42    | 89002       |
|              | 801   | 80102       | UCFL 206/99  | 30  | 99  | 85  | 148 | 11 | 40,3 | 20   | 26   | 42    | 89002       |
|              | 801   | 80112       | UCFL 206     | 30  | 117 | 85  | 148 | 11 | 40,3 | 20   | 26   | 42    | 89002       |
|              | 801   | 80103       | UCFL 207/117 | 35  | 117 | 93  | 148 | 11 | 48   | 19,5 | 26   | 43    | 89003       |
|              | 801   | 80113       | UCFL 207     | 35  | 130 | 93  | 162 | 11 | 48   | 19,5 | 26   | 43    | 89003       |
|              | 801   | 80104       | UCFL 208/117 | 40  | 117 | 93  | 148 | 11 | 53   | 19   | 26   | 44    | 89003       |
| 801          | 80114 | UCFL 208    | 40           | 130 | 93  | 162 | 11  | 53 | 19   | 26   | 44   | 89003 |             |



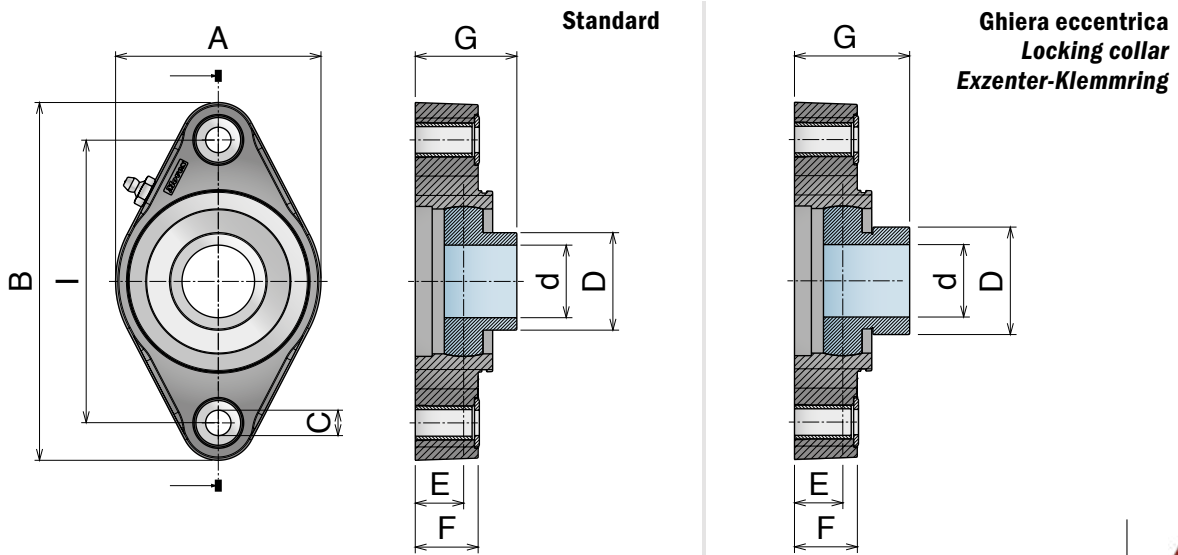
Safety Cap

**Inserto standard / Standard insert / Standard-Flanschlager**

| Stainless Steel | Part    | Article-Nr. | Series       | d   | I   | A   | B   | C  | D    | E    | F    | G     | Article-Nr. |
|-----------------|---------|-------------|--------------|-----|-----|-----|-----|----|------|------|------|-------|-------------|
|                 | 801     | 80110SS     | UCFL 204     | 20  | 90  | 62  | 116 | 11 | 29   | 16   | 20   | 34    | 89004       |
|                 | 801     | 80100SS     | UCFL 204     | 20  | 90  | 71  | 130 | 11 | 29   | 17,5 | 22,5 | 33,5  | 89001       |
|                 | 801     | 80121SS     | UCFL 205/90  | 25  | 90  | 85  | 116 | 11 | 34   | 14,5 | 20   | 34    | 89005       |
|                 | 801     | 80101SS     | UCFL 205/90  | 25  | 90  | 71  | 130 | 11 | 34   | 16,8 | 22,5 | 36,3  | 89001       |
|                 | 801     | 80111SS     | UCFL 205     | 25  | 99  | 71  | 130 | 11 | 34   | 16,8 | 22,5 | 36,3  | 89001       |
|                 | 801     | 80122SS     | UCFL 206/90  | 30  | 90  | 85  | 116 | 11 | 40,3 | 14,5 | 20   | 36,5  | 89005       |
|                 | 801     | 80132SS     | UCFL 206/99  | 30  | 99  | 85  | 130 | 11 | 40,3 | 20   | 26   | 42    | 89002       |
|                 | 801     | 80102SS     | UCFL 206/99  | 30  | 99  | 85  | 148 | 11 | 40,3 | 20   | 26   | 42    | 89002       |
|                 | 801     | 80112SS     | UCFL 206     | 30  | 117 | 85  | 148 | 11 | 40,3 | 20   | 26   | 42    | 89002       |
|                 | 801     | 80103SS     | UCFL 207/117 | 35  | 117 | 93  | 148 | 11 | 48   | 19,5 | 26   | 43    | 89003       |
|                 | 801     | 80113SS     | UCFL 207     | 35  | 130 | 93  | 162 | 11 | 48   | 19,5 | 26   | 43    | 89003       |
|                 | 801     | 80104SS     | UCFL 208/117 | 40  | 117 | 93  | 148 | 11 | 53   | 19   | 26   | 44    | 89003       |
| 801             | 80114SS | UCFL 208    | 40           | 130 | 93  | 162 | 11  | 53 | 19   | 26   | 44   | 89003 |             |

**Inserto con ghiera eccentrica / Insert with locking collar / Flanschlager mit Exzenter-Klemmring**

| Chrome Steel | Part  | Article-Nr. | Series       | d   | I   | A   | B   | C    | D    | E    | F    | G     | Article-Nr. |
|--------------|-------|-------------|--------------|-----|-----|-----|-----|------|------|------|------|-------|-------------|
|              | 802   | 80210       | UCFL 204     | 20  | 90  | 62  | 116 | 11   | 33,3 | 16   | 20   | 39,9  | 89004       |
|              | 802   | 80200       | UCFL 204     | 20  | 90  | 71  | 130 | 11   | 33,3 | 17,5 | 22,5 | 41,4  | 89001       |
|              | 802   | 80221       | UCFL 205/90  | 25  | 90  | 85  | 116 | 11   | 38,1 | 14,5 | 20   | 37,9  | 89005       |
|              | 802   | 80201       | UCFL 205/90  | 25  | 90  | 71  | 130 | 11   | 38,1 | 16,8 | 22,5 | 40,2  | 89001       |
|              | 802   | 80211       | UCFL 205     | 25  | 99  | 71  | 130 | 11   | 38,1 | 16,8 | 22,5 | 40,2  | 89001       |
|              | 802   | 80222       | UCFL 206/90  | 30  | 90  | 85  | 116 | 11   | 44,5 | 14,5 | 20   | 42,2  | 89005       |
|              | 802   | 80232       | UCFL 206/99  | 30  | 99  | 85  | 130 | 11   | 44,5 | 20   | 26   | 47,7  | 89002       |
|              | 802   | 80202       | UCFL 206/99  | 30  | 99  | 85  | 148 | 11   | 44,5 | 20   | 26   | 47,7  | 89002       |
|              | 802   | 80212       | UCFL 206     | 30  | 117 | 85  | 148 | 11   | 44,5 | 20   | 26   | 47,7  | 89002       |
|              | 802   | 80203       | UCFL 207/117 | 35  | 117 | 93  | 148 | 11   | 55,6 | 19,5 | 26   | 49,9  | 89003       |
|              | 802   | 80213       | UCFL 207     | 35  | 130 | 93  | 162 | 11   | 55,6 | 19,5 | 26   | 49,9  | 89003       |
|              | 802   | 80204       | UCFL 208/117 | 40  | 117 | 93  | 148 | 11   | 60,3 | 19   | 26   | 53,7  | 89003       |
| 802          | 80214 | UCFL 208    | 40           | 130 | 93  | 162 | 11  | 60,3 | 19   | 26   | 53,7 | 89003 |             |



**Inserto standard / Standard insert / Standard-Flanschlager**

| Chrome Steel | Part  | Article-Nr.  | Series        | d   | l    | A    | B   | C    | D    | E    | F    | G     | Article-Nr. |
|--------------|-------|--------------|---------------|-----|------|------|-----|------|------|------|------|-------|-------------|
|              | 822   | 82205        | UCFL 204/76,5 | 20  | 76,4 | 55,9 | 100 | 10,2 | 29   | 15,5 | 12   | 33,5  | 89007       |
|              | 822   | 82210        | UCFL 204      | 20  | 90   | 62   | 116 | 11   | 29   | 16   | 20   | 34    | 89004       |
|              | 822   | 82201        | UCFL 205/90   | 25  | 90   | 71   | 130 | 10,2 | 34   | 16,8 | 22,5 | 36,3  | 89001       |
|              | 822   | 82211        | UCFL 205      | 25  | 99   | 71   | 130 | 11   | 34   | 16,8 | 22,5 | 36,3  | 89001       |
|              | 822   | 82222        | UCFL 206/90   | 30  | 90   | 85   | 116 | 10,2 | 40,3 | 14,5 | 20   | 36,5  | 89005       |
|              | 822   | 82212        | UCFL 206      | 30  | 117  | 85   | 148 | 11   | 40,3 | 20   | 26   | 42    | 89002       |
|              | 822   | 82203        | UCFL 207/117  | 35  | 117  | 93   | 148 | 11   | 48   | 19,5 | 26   | 43    | 89003       |
|              | 822   | 82213        | UCFL 207      | 35  | 130  | 93   | 162 | 11   | 48   | 19,5 | 26   | 43    | 89003       |
| 822          | 82204 | UCFL 208/117 | 40            | 117 | 93   | 148  | 11  | 53   | 19   | 26   | 44   | 89003 |             |



**Safety Cap**

**Inserto standard / Standard insert / Standard-Flanschlager**

| Stainless Steel | Part    | Article-Nr.  | Series        | d   | l    | A    | B   | C    | D    | E    | F    | G     | Article-Nr. |
|-----------------|---------|--------------|---------------|-----|------|------|-----|------|------|------|------|-------|-------------|
|                 | 822     | 82205SS      | UCFL 204/76,5 | 20  | 76,4 | 55,9 | 100 | 10,2 | 29   | 15,5 | 12   | 33,5  | 89007       |
|                 | 822     | 82210SS      | UCFL 204      | 20  | 90   | 62   | 116 | 11   | 29   | 16   | 20   | 34    | 89004       |
|                 | 822     | 82201SS      | UCFL 205/90   | 25  | 90   | 71   | 130 | 10,2 | 34   | 16,8 | 22,5 | 36,3  | 89001       |
|                 | 822     | 82211SS      | UCFL 205      | 25  | 99   | 71   | 130 | 11   | 34   | 16,8 | 22,5 | 36,3  | 89001       |
|                 | 822     | 82222SS      | UCFL 206/90   | 30  | 90   | 85   | 116 | 10,2 | 40,3 | 14,5 | 20   | 36,5  | 89005       |
|                 | 822     | 82212SS      | UCFL 206      | 30  | 117  | 85   | 148 | 11   | 40,3 | 20   | 26   | 42    | 89002       |
|                 | 822     | 82203SS      | UCFL 207/117  | 35  | 117  | 93   | 148 | 11   | 48   | 19,5 | 26   | 43    | 89003       |
|                 | 822     | 82213SS      | UCFL 207      | 35  | 130  | 93   | 162 | 11   | 48   | 19,5 | 26   | 43    | 89003       |
| 822             | 82204SS | UCFL 208/117 | 40            | 117 | 93   | 148  | 11  | 53   | 19   | 26   | 44   | 89003 |             |

**Inserto con ghiera eccentrica / Insert with locking collar / Flanschlager mit Exzenter-Klemmring**

| Chrome Steel | Part  | Article-Nr.  | Series        | d   | l    | A    | B   | C    | D    | E    | F    | G     | Article-Nr. |
|--------------|-------|--------------|---------------|-----|------|------|-----|------|------|------|------|-------|-------------|
|              | 823   | 82305        | UCFL 204/76,5 | 20  | 76,4 | 55,9 | 100 | 10,2 | 33,3 | 16   | 12   | 33,5  | 89007       |
|              | 823   | 82310        | UCFL 204      | 20  | 90   | 62   | 116 | 11   | 33,3 | 16   | 20   | 39,9  | 89004       |
|              | 823   | 82301        | UCFL 205/90   | 25  | 90   | 71   | 130 | 10,2 | 38,1 | 16,8 | 22,5 | 36,3  | 89001       |
|              | 823   | 82311        | UCFL 205      | 25  | 99   | 71   | 130 | 11   | 38,1 | 16,8 | 22,5 | 40,2  | 89001       |
|              | 823   | 82322        | UCFL 206/90   | 30  | 90   | 85   | 116 | 10,2 | 44,5 | 14,4 | 20   | 36,5  | 89005       |
|              | 823   | 82312        | UCFL 206      | 30  | 117  | 85   | 148 | 11   | 44,5 | 20   | 26   | 47,7  | 89002       |
|              | 823   | 82303        | UCFL 207/117  | 35  | 117  | 93   | 148 | 11   | 55,6 | 19,5 | 26   | 43    | 89003       |
|              | 823   | 82313        | UCFL 207      | 35  | 130  | 93   | 162 | 11   | 55,6 | 19,5 | 26   | 49,9  | 89003       |
| 823          | 82304 | UCFL 208/117 | 40            | 117 | 93   | 148  | 11  | 60,3 | 19   | 26   | 53,7 | 89003 |             |



**SOLID HOUSING**

# UCFL



## Componenti

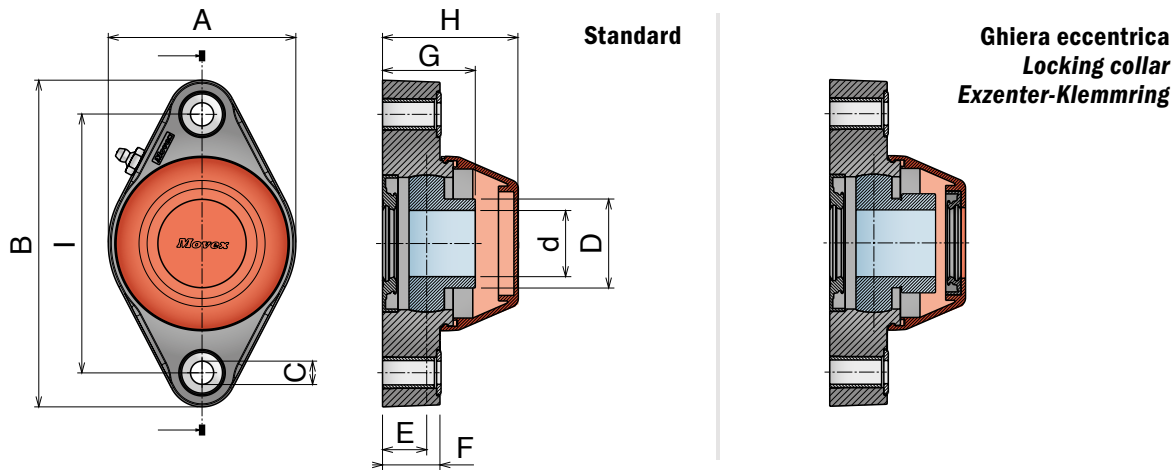
- Sede in poliammide rinforzato, con elevata resistenza meccanica e ottima resistenza contro agenti chimici corrosivi quali acqua, oli, benzina e liquidi contenenti alcool. Tutti i nostri cuscinetti possono essere utilizzati ad una temperatura compresa fra 0°C e +80°C.
- I cuscinetti sono realizzati in acciaio al cromo, disponibili anche, su richiesta, nella versione in acciaio inox. Il cuscinetto all'interno della flangia può essere regolato di 2,5°.
- L'ingrassatore viene realizzato in ferro nichelato, o in acciaio inox nella versione con il cuscinetto in acciaio inox.
- Distanziali realizzati in ottone nichelato per rinforzare il foro di fissaggio.
- Rondella in acciaio inox.
- Coperchio di sicurezza in PP.
- Anello di tenuta in gomma NBR.
- O-ring in NBR rubber.

## Components

- *Housing in reinforced polyamide, with higher load capacity and good resistance to corrosive chemicals such as water, oils, petrol and alcoholic beverages. All our bearings can be used at temperatures between 0°C and +80°C.*
- *Ball bearings are made in chrome steel. They are also available, upon request, in stainless steel. Max misalignment between shaft and housing: 2.5°.*
- *Grease nipple are made in nickel plated steel, but they can also be made in stainless steel on the stainless steel bearing.*
- *Spacers from nickel plated brass to reinforce fixing holes.*
- *Washer stainless steel.*
- *Clip-on safety cap in PP.*
- *Rotary shaft seal ring in NBR rubber.*
- *O-ring in NBR rubber.*

## Komponenten

- *Gehäuse gefertigt aus verstärktem Polyamid. Dies gewährleistet eine gute Widerstandsfähigkeit gegenüber mechanischen Einflüssen und eine gute Korrosionsbeständigkeit gegenüber Wasser, Ölen, Benzin, Flüssigkeiten mit Alkohol und Chemikalien. Alle unsere Gehäuse-Lagereinheiten können in einem Temperaturbereich von 0°C bis +80°C eingesetzt werden.*
- *Die Lagereinsätze sind aus Chrom-Stahl, auf Anfrage auch in Edelstahl erhältlich. Alle Lager gleichen eine Fluchtungsfehler von bis zu 2,5° selbstständig aus.*
- *Die Schmiernippel sind aus vernickeltem Stahl (aus Edelstahl wenn die Ausführung mit Edelstahl Einsatz gefragt ist).*
- *Alle Distanzstücke sind aus vernickeltem Messing und verstärkten die Befestigungsbohrungen.*
- *Alle Unterlegscheiben aus Edelstahl.*
- *Schutzkappe aus PP.*
- *Dichtringe aus NBR-Gummi.*
- *O-Ringe aus NBR-Gummi.*



Inserto standard, con guarnizioni, versione aperta e chiusa / Standard insert, sealed, open and close version / Standard-Flanschlager, abgedichtet, offene und geschlossene Version

|              | Part | Art-close | Part | Art-open | Series       | d  | I   | A  | B   | C  | D    | E    | F    | G    | H    |
|--------------|------|-----------|------|----------|--------------|----|-----|----|-----|----|------|------|------|------|------|
| Chrome Steel | 803  | 80310     | 804  | 80410    | UCFL 204     | 20 | 90  | 62 | 116 | 11 | 29   | 16   | 20   | 34   | 51,5 |
|              | 803  | 80300     | 804  | 80400    | UCFL 204     | 20 | 90  | 71 | 130 | 11 | 29   | 17,5 | 22,5 | 33,5 | 52   |
|              | 803  | 80321     | 804  | 80421    | UCFL 205/90  | 25 | 90  | 85 | 116 | 11 | 34   | 14,5 | 20   | 34   | 55,5 |
|              | 803  | 80301     | 804  | 80401    | UCFL 205/90  | 25 | 90  | 71 | 130 | 11 | 34   | 16,8 | 22,5 | 36,3 | 52   |
|              | 803  | 80311     | 804  | 80411    | UCFL 205     | 25 | 99  | 71 | 130 | 11 | 34   | 16,8 | 22,5 | 36,3 | 52   |
|              | 803  | 80322     | 804  | 80422    | UCFL 206/90  | 30 | 90  | 85 | 116 | 11 | 40,3 | 14,5 | 20   | 36,5 | 55,5 |
|              | 803  | 80332     | 804  | 80432    | UCFL 206/99  | 30 | 99  | 85 | 130 | 11 | 40,3 | 20   | 26   | 42   | 61,5 |
|              | 803  | 80302     | 804  | 80402    | UCFL 206/99  | 30 | 99  | 85 | 148 | 11 | 40,3 | 20   | 26   | 42   | 61,5 |
|              | 803  | 80312     | 804  | 80412    | UCFL 206     | 30 | 117 | 85 | 148 | 11 | 40,3 | 20   | 26   | 42   | 61,5 |
|              | 803  | 80303     | 804  | 80403    | UCFL 207/117 | 35 | 117 | 93 | 148 | 11 | 48   | 19,5 | 26   | 43   | 66,5 |
|              | 803  | 80313     | 804  | 80413    | UCFL 207     | 35 | 130 | 93 | 162 | 11 | 48   | 19,5 | 26   | 43   | 66,5 |
|              | 803  | 80304     | 804  | 80404    | UCFL 208/117 | 40 | 117 | 93 | 148 | 11 | 53   | 19   | 26   | 44   | 66,5 |
|              | 803  | 80314     | 804  | 80414    | UCFL 208     | 40 | 130 | 93 | 162 | 11 | 53   | 19   | 26   | 44   | 66,5 |

Inserto standard, con guarnizioni, versione aperta e chiusa / Standard insert, sealed, open and close version / Standard-Flanschlager, abgedichtet, offene und geschlossene Version

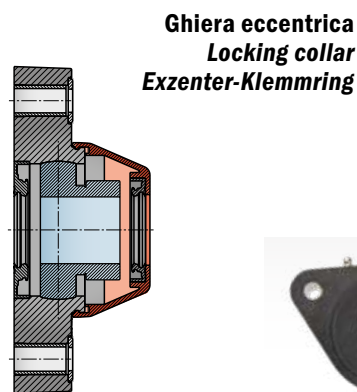
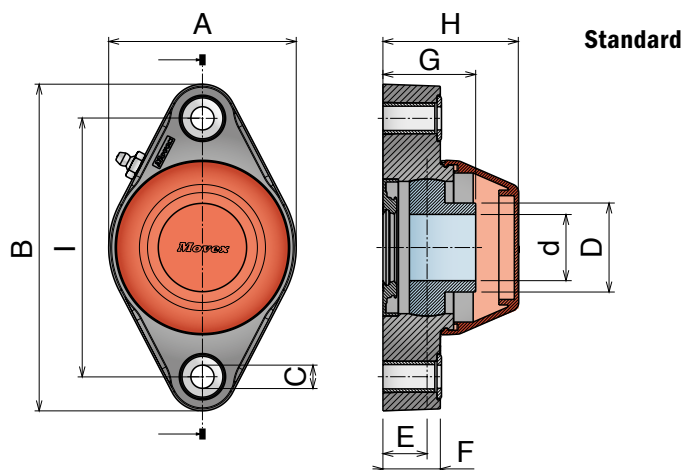
|                 | Part | Art-close | Part | Art-open | Series       | d  | I   | A  | B   | C  | D    | E    | F    | G    | H    |
|-----------------|------|-----------|------|----------|--------------|----|-----|----|-----|----|------|------|------|------|------|
| Stainless Steel | 803  | 80310SS   | 804  | 80410SS  | UCFL 204     | 20 | 90  | 62 | 116 | 11 | 29   | 16   | 20   | 34   | 51,5 |
|                 | 803  | 80300SS   | 804  | 80400SS  | UCFL 204     | 20 | 90  | 71 | 130 | 11 | 29   | 17,5 | 22,5 | 33,5 | 52   |
|                 | 803  | 80321SS   | 804  | 80421SS  | UCFL 205/90  | 25 | 90  | 85 | 116 | 11 | 34   | 14,5 | 20   | 34   | 55,5 |
|                 | 803  | 80301SS   | 804  | 80401SS  | UCFL 205/90  | 25 | 90  | 71 | 130 | 11 | 34   | 16,8 | 22,5 | 36,3 | 52   |
|                 | 803  | 80311SS   | 804  | 80411SS  | UCFL 205     | 25 | 99  | 71 | 130 | 11 | 34   | 16,8 | 22,5 | 36,3 | 52   |
|                 | 803  | 80322SS   | 804  | 80422SS  | UCFL 206/90  | 30 | 90  | 85 | 116 | 11 | 40,3 | 14,5 | 20   | 36,5 | 55,5 |
|                 | 803  | 80332SS   | 804  | 80432SS  | UCFL 206/99  | 30 | 99  | 85 | 130 | 11 | 40,3 | 20   | 26   | 42   | 61,5 |
|                 | 803  | 80302SS   | 804  | 80402SS  | UCFL 206/99  | 30 | 99  | 85 | 148 | 11 | 40,3 | 20   | 26   | 42   | 61,5 |
|                 | 803  | 80312SS   | 804  | 80412SS  | UCFL 206     | 30 | 117 | 85 | 148 | 11 | 40,3 | 20   | 26   | 42   | 61,5 |
|                 | 803  | 80303SS   | 804  | 80403SS  | UCFL 207/117 | 35 | 117 | 93 | 148 | 11 | 48   | 19,5 | 26   | 43   | 66,5 |
|                 | 803  | 80313SS   | 804  | 80413SS  | UCFL 207     | 35 | 130 | 93 | 162 | 11 | 48   | 19,5 | 26   | 43   | 66,5 |
|                 | 803  | 80304SS   | 804  | 80404SS  | UCFL 208/117 | 40 | 117 | 93 | 148 | 11 | 53   | 19   | 26   | 44   | 66,5 |
|                 | 803  | 80314SS   | 804  | 80414SS  | UCFL 208     | 40 | 130 | 93 | 162 | 11 | 53   | 19   | 26   | 44   | 66,5 |

Inserto "long life", con guarnizioni, versione aperta e chiusa / "Long life" insert, sealed, open and close version / "Long Life"-Flanschlager, abgedichtet, offene und geschlossene Version

|                          | Part | Art-close | Part | Art-open | Series       | d  | I   | A  | B   | C  | D    | E    | F    | G    | H    |
|--------------------------|------|-----------|------|----------|--------------|----|-----|----|-----|----|------|------|------|------|------|
| Chrome Steel "Long life" | 803  | 80310L    | 804  | 80410L   | UCFL 204     | 20 | 90  | 62 | 116 | 11 | 29   | 16   | 20   | 34   | 51,5 |
|                          | 803  | 80300L    | 804  | 80400L   | UCFL 204     | 20 | 90  | 71 | 130 | 11 | 29   | 17,5 | 22,5 | 33,5 | 52   |
|                          | 803  | 80321L    | 804  | 80421L   | UCFL 205/90  | 25 | 90  | 85 | 116 | 11 | 34   | 14,5 | 20   | 34   | 55,5 |
|                          | 803  | 80301L    | 804  | 80401L   | UCFL 205/90  | 25 | 90  | 71 | 130 | 11 | 34   | 16,8 | 22,5 | 36,3 | 52   |
|                          | 803  | 80311L    | 804  | 80411L   | UCFL 205     | 25 | 99  | 71 | 130 | 11 | 34   | 16,8 | 22,5 | 36,3 | 52   |
|                          | 803  | 80322L    | 804  | 80422L   | UCFL 206/90  | 30 | 90  | 85 | 116 | 11 | 40,3 | 14,5 | 20   | 36,5 | 55,5 |
|                          | 803  | 80332L    | 804  | 80432L   | UCFL 206/99  | 30 | 99  | 85 | 130 | 11 | 40,3 | 20   | 26   | 42   | 61,5 |
|                          | 803  | 80302L    | 804  | 80402L   | UCFL 206/99  | 30 | 99  | 85 | 148 | 11 | 40,3 | 20   | 26   | 42   | 61,5 |
|                          | 803  | 80312L    | 804  | 80412L   | UCFL 206     | 30 | 117 | 85 | 148 | 11 | 40,3 | 20   | 26   | 42   | 61,5 |
|                          | 803  | 80303L    | 804  | 80403L   | UCFL 207/117 | 35 | 117 | 93 | 148 | 11 | 48   | 19,5 | 26   | 43   | 66,5 |
|                          | 803  | 80313L    | 804  | 80413L   | UCFL 207     | 35 | 130 | 93 | 162 | 11 | 48   | 19,5 | 26   | 43   | 66,5 |
|                          | 803  | 80304L    | 804  | 80404L   | UCFL 208/117 | 40 | 117 | 93 | 148 | 11 | 53   | 19   | 26   | 44   | 66,5 |
|                          | 803  | 80314L    | 804  | 80414L   | UCFL 208     | 40 | 130 | 93 | 162 | 11 | 53   | 19   | 26   | 44   | 66,5 |

Inserto con ghiera eccentrica, guarnizioni, versione aperta e chiusa / Insert with locking collar, sealed, open and close version / Flanschlager mit Exzenter-Klemmring, abgedichtet, offene und geschlossene Version

|              | Part | Art-close | Part | Art-open | Series       | d  | I   | A  | B   | C  | D    | E    | F    | G    | H    |
|--------------|------|-----------|------|----------|--------------|----|-----|----|-----|----|------|------|------|------|------|
| Chrome Steel | 805  | 80510     | 806  | 80610    | UCFL 204     | 20 | 90  | 62 | 116 | 11 | 33,3 | 16   | 20   | 39,9 | 51,5 |
|              | 805  | 80500     | 806  | 80600    | UCFL 204     | 20 | 90  | 71 | 130 | 11 | 33,3 | 17,5 | 22,5 | 41,4 | 52   |
|              | 805  | 80521     | 806  | 80621    | UCFL 205/90  | 25 | 90  | 85 | 116 | 11 | 38,1 | 14,5 | 20   | 37,9 | 55,5 |
|              | 805  | 80501     | 806  | 80601    | UCFL 205/90  | 25 | 90  | 71 | 130 | 11 | 38,1 | 16,8 | 22,5 | 40,2 | 52   |
|              | 805  | 80511     | 806  | 80611    | UCFL 205     | 25 | 99  | 71 | 130 | 11 | 38,1 | 16,8 | 22,5 | 40,2 | 52   |
|              | 805  | 80522     | 806  | 80622    | UCFL 206/90  | 30 | 90  | 85 | 116 | 11 | 44,5 | 14,5 | 20   | 42,2 | 55,5 |
|              | 805  | 80532     | 806  | 80632    | UCFL 206/99  | 30 | 99  | 85 | 130 | 11 | 44,5 | 20   | 26   | 47,7 | 61,5 |
|              | 805  | 80502     | 806  | 80602    | UCFL 206/99  | 30 | 99  | 85 | 148 | 11 | 44,5 | 20   | 26   | 47,7 | 61,5 |
|              | 805  | 80512     | 806  | 80612    | UCFL 206     | 30 | 117 | 85 | 148 | 11 | 44,5 | 20   | 26   | 47,7 | 61,5 |
|              | 805  | 80503     | 806  | 80603    | UCFL 207/117 | 35 | 117 | 93 | 148 | 11 | 55,6 | 19,5 | 26   | 49,9 | 66,5 |
|              | 805  | 80513     | 806  | 80613    | UCFL 207     | 35 | 130 | 93 | 162 | 11 | 55,6 | 19,5 | 26   | 49,9 | 66,5 |
|              | 805  | 80504     | 806  | 80604    | UCFL 208/117 | 40 | 117 | 93 | 148 | 11 | 60,3 | 19   | 26   | 53,7 | 66,5 |
|              | 805  | 80514     | 806  | 80614    | UCFL 208     | 40 | 130 | 93 | 162 | 11 | 60,3 | 19   | 26   | 53,7 | 66,5 |



Insero standard, con guarnizioni, versione aperta e chiusa / Standard insert, sealed, open and close version / Standard-Flanschlager, abgedichtet, offene und geschlossene Version

| Chrome Steel | Part | Art-close | Part | Art-open | Series        | d  | l    | A  | B   | C    | D    | E    | F    | G    | H    |
|--------------|------|-----------|------|----------|---------------|----|------|----|-----|------|------|------|------|------|------|
|              | 824  | 82405     | 825  | 82505    | UCFL 204/76,5 | 20 | 76,5 | 56 | 100 | 10,2 | 29   | 15,5 | 12   | 26   | 49   |
|              | 824  | 82410     | 825  | 82510    | UCFL 204      | 20 | 90   | 62 | 116 | 11   | 29   | 16   | 20   | 34   | 51,5 |
|              | 824  | 82401     | 825  | 82501    | UCFL 205/90   | 25 | 90   | 71 | 130 | 10,2 | 34   | 16,8 | 22,5 | 36,3 | 52   |
|              | 824  | 82411     | 825  | 82511    | UCFL 205      | 25 | 99   | 71 | 130 | 11   | 34   | 16,8 | 22,5 | 36,3 | 52   |
|              | 824  | 82422     | 825  | 82522    | UCFL 206/90   | 30 | 90   | 85 | 116 | 10,2 | 40,3 | 14,5 | 20   | 36,5 | 55,5 |
|              | 824  | 82412     | 825  | 82512    | UCFL 206      | 30 | 117  | 85 | 148 | 11   | 40,3 | 20   | 26   | 42   | 61,5 |
|              | 824  | 82403     | 825  | 82503    | UCFL 207/117  | 35 | 117  | 93 | 148 | 11   | 48   | 19,5 | 26   | 43   | 66,5 |
|              | 824  | 82413     | 825  | 82513    | UCFL 207      | 35 | 130  | 93 | 162 | 11   | 48   | 19,5 | 26   | 43   | 66,5 |
|              | 824  | 82404     | 825  | 82504    | UCFL 208/117  | 40 | 117  | 93 | 148 | 11   | 53   | 19   | 26   | 44   | 66,5 |

Insero standard, con guarnizioni, versione aperta e chiusa / Standard insert, sealed, open and close version / Standard-Flanschlager, abgedichtet, offene und geschlossene Version

| Stainless Steel | Part | Art-close | Part | Art-open | Series        | d  | l    | A  | B   | C    | D    | E    | F    | G    | H    |
|-----------------|------|-----------|------|----------|---------------|----|------|----|-----|------|------|------|------|------|------|
|                 | 824  | 82405SS   | 825  | 82505SS  | UCFL 204/76,5 | 20 | 76,5 | 56 | 100 | 10,2 | 29   | 15,5 | 12   | 26   | 49   |
|                 | 824  | 82410SS   | 825  | 82510SS  | UCFL 204      | 20 | 90   | 62 | 116 | 11   | 29   | 16   | 20   | 34   | 51,5 |
|                 | 824  | 82401SS   | 825  | 82501SS  | UCFL 205/90   | 25 | 90   | 71 | 130 | 10,2 | 34   | 16,8 | 22,5 | 36,3 | 52   |
|                 | 824  | 82411SS   | 825  | 82511SS  | UCFL 205      | 25 | 99   | 71 | 130 | 11   | 34   | 16,8 | 22,5 | 36,3 | 52   |
|                 | 824  | 82422SS   | 825  | 82522SS  | UCFL 206/90   | 30 | 90   | 85 | 116 | 10,2 | 40,3 | 14,5 | 20   | 36,5 | 55,5 |
|                 | 824  | 82412SS   | 825  | 82512SS  | UCFL 206      | 30 | 117  | 85 | 148 | 11   | 40,3 | 20   | 26   | 42   | 61,5 |
|                 | 824  | 82403SS   | 825  | 82503SS  | UCFL 207/117  | 35 | 117  | 93 | 148 | 11   | 48   | 19,5 | 26   | 43   | 66,5 |
|                 | 824  | 82413SS   | 825  | 82513SS  | UCFL 207      | 35 | 130  | 93 | 162 | 11   | 48   | 19,5 | 26   | 43   | 66,5 |
|                 | 824  | 82404SS   | 825  | 82504SS  | UCFL 208/117  | 40 | 117  | 93 | 148 | 11   | 53   | 19   | 26   | 44   | 66,5 |

Insero "long life", con guarnizioni, versione aperta e chiusa / "Long life" insert, sealed, open and close version / "Long Life"-Flanschlager, abgedichtet, offene und geschlossene Version

| "Long life" | Part | Art-close | Part | Art-open | Series        | d  | l    | A  | B   | C    | D    | E    | F    | G    | H    |
|-------------|------|-----------|------|----------|---------------|----|------|----|-----|------|------|------|------|------|------|
|             | 824  | 82405L    | 825  | 82505L   | UCFL 204/76,5 | 20 | 76,5 | 56 | 100 | 10,2 | 29   | 15,5 | 12   | 26   | 49   |
|             | 824  | 82410L    | 825  | 82510L   | UCFL 204      | 20 | 90   | 62 | 116 | 11   | 29   | 16   | 20   | 34   | 51,5 |
|             | 824  | 82401L    | 825  | 82501L   | UCFL 205/90   | 25 | 90   | 71 | 130 | 10,2 | 34   | 16,8 | 22,5 | 36,3 | 52   |
|             | 824  | 82411L    | 825  | 82511L   | UCFL 205      | 25 | 99   | 71 | 130 | 11   | 34   | 16,8 | 22,5 | 36,3 | 52   |
|             | 824  | 82422L    | 825  | 82522L   | UCFL 206/90   | 30 | 90   | 85 | 116 | 10,2 | 40,3 | 14,5 | 20   | 36,5 | 55,5 |
|             | 824  | 82412L    | 825  | 82512L   | UCFL 206      | 30 | 117  | 85 | 148 | 11   | 40,3 | 20   | 26   | 42   | 61,5 |
|             | 824  | 82403L    | 825  | 82503L   | UCFL 207/117  | 35 | 117  | 93 | 148 | 11   | 48   | 19,5 | 26   | 43   | 66,5 |
|             | 824  | 82413L    | 825  | 82513L   | UCFL 207      | 35 | 130  | 93 | 162 | 11   | 48   | 19,5 | 26   | 43   | 66,5 |
|             | 824  | 82404L    | 825  | 82504L   | UCFL 208/117  | 40 | 117  | 93 | 148 | 11   | 53   | 19   | 26   | 44   | 66,5 |

Insero con ghiera eccentrica, guarnizioni, versione aperta e chiusa / Insert with locking collar, sealed, open and close version / Flanschlager mit Exzenter-Klemmring, abgedichtet, offene und geschlossene Version

| Chrome Steel | Part | Art-close | Part | Art-open | Series        | d  | l    | A  | B   | C    | D    | E    | F    | G    | H    |
|--------------|------|-----------|------|----------|---------------|----|------|----|-----|------|------|------|------|------|------|
|              | 826  | 82605     | 827  | 82705    | UCFL 204/76,5 | 20 | 76,5 | 56 | 100 | 10,2 | 33,3 | 15,5 | 12   | 39,4 | 49   |
|              | 826  | 82610     | 827  | 82710    | UCFL 204      | 20 | 90   | 62 | 116 | 11   | 33,3 | 16   | 20   | 39,9 | 51,5 |
|              | 826  | 82601     | 827  | 82701    | UCFL 205/90   | 25 | 90   | 71 | 130 | 10,2 | 38,1 | 16,8 | 22,5 | 40,2 | 52   |
|              | 826  | 82611     | 827  | 82711    | UCFL 205      | 25 | 99   | 71 | 130 | 11   | 38,1 | 16,8 | 22,5 | 40,2 | 52   |
|              | 826  | 82622     | 827  | 82722    | UCFL 206/90   | 30 | 90   | 85 | 116 | 10,2 | 44,5 | 14,5 | 20   | 42,2 | 55,5 |
|              | 826  | 82612     | 827  | 82712    | UCFL 206      | 30 | 117  | 85 | 148 | 11   | 44,5 | 20   | 26   | 47,7 | 61,5 |
|              | 826  | 82603     | 827  | 82703    | UCFL 207/117  | 35 | 117  | 93 | 148 | 11   | 55,6 | 19,5 | 26   | 49,9 | 66,5 |
|              | 826  | 82613     | 827  | 82713    | UCFL 207      | 35 | 130  | 93 | 162 | 11   | 55,6 | 19,5 | 26   | 49,9 | 66,5 |
|              | 826  | 82604     | 827  | 82704    | UCFL 208/117  | 40 | 117  | 93 | 148 | 11   | 60,3 | 19   | 26   | 53,7 | 66,5 |

## UCF

Delivery: **Easy** Standard

### Componenti

- Sede in poliammide rinforzato, con elevata resistenza meccanica e ottima resistenza contro agenti chimici corrosivi quali acqua, oli, benzina e liquidi contenenti alcool. Tutti i nostri cuscinetti possono essere utilizzati ad una temperatura compresa fra 0°C e +80°C.
- I cuscinetti sono realizzati in acciaio al cromo, disponibili anche, su richiesta, nella versione in acciaio inox. Il cuscinetto all'interno della flangia può essere regolato di 2,5°.
- L'ingrassatore viene realizzato in ferro nichelato, o in acciaio inox nella versione con il cuscinetto in acciaio inox.
- Distanziali realizzati in ottone nichelato per rinforzare il foro di fissaggio.
- Rondella in acciaio inox.

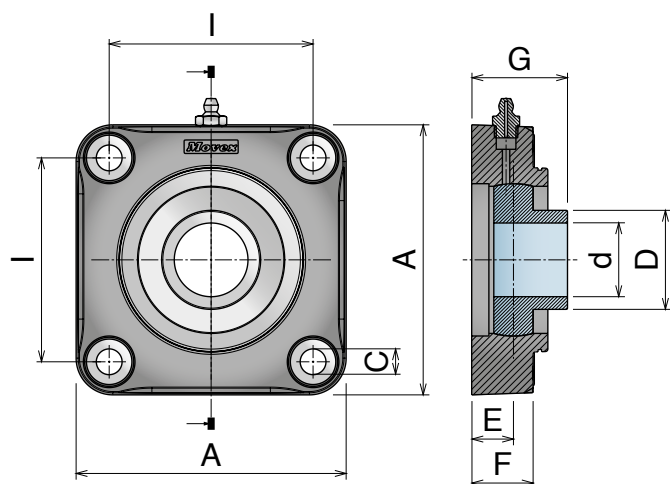
### Components

- *Housing in reinforced polyamide, with higher load capacity and good resistance to corrosive chemicals such as water, oils, petrol and alcoholic beverages. All our bearings can be used at temperatures between 0°C and +80°C.*
- *Ball bearings are made in chrome steel. They are also available, upon request, in stainless steel. Max misalignment between shaft and housing: 2.5°.*
- *Grease nipple are made in nickel plated steel, but they can also be made in stainless steel on the stainless steel bearing.*
- *Spacers from nickel plated brass to reinforce fixing holes.*
- *Washer stainless steel.*

### Komponenten

- *Gehäuse gefertigt aus verstärktem Polyamid. Dies gewährleistet eine gute Widerstandsfähigkeit gegenüber mechanischen Einflüssen und eine gute Korrosionsbeständigkeit gegenüber Wasser, Ölen, Benzin, Flüssigkeiten mit Alkohol und Chemikalien. Alle unsere Gehäuse-Lagereinheiten können in einem Temperaturbereich von 0°C bis +80°C eingesetzt werden.*
- *Die Lagereinsätze sind aus Chrom-Stahl, auf Anfrage auch in Edelstahl erhältlich. Alle Lager gleichen einen Fluchtungsfehler von bis zu 2,5° selbstständig aus.*
- *Die Schmiernippel sind aus vernickeltem Stahl (aus Edelstahl wenn die Ausführung mit Edelstahl Einsatz gefragt ist).*
- *Alle Distanzstücke sind aus vernickeltem Messing und verstärken die Befestigungsbohrungen.*
- *Alle Unterlegscheiben aus Edelstahl.*





**Inserto standard / Standard insert / Standard-Flanschlager**

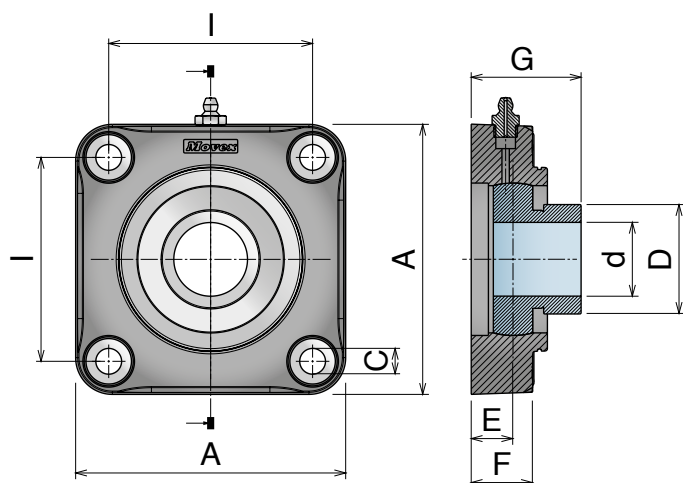
| Chrome Steel | Part | Article-Nr. | Series     | d  | I   | A   | C  | D    | E    | F  | G    | Article-Nr. |
|--------------|------|-------------|------------|----|-----|-----|----|------|------|----|------|-------------|
|              | 807  | 80701       | UCF 205    | 25 | 70  | 98  | 11 | 34   | 16   | 22 | 35,5 | 89001       |
|              | 807  | 80702       | UCF 206    | 30 | 83  | 110 | 11 | 40,3 | 17   | 25 | 39   | 89002       |
|              | 807  | 80703       | UCF 207/83 | 35 | 83  | 110 | 11 | 48   | 20   | 25 | 43,5 | 89003       |
|              | 807  | 80713       | UCF 207    | 35 | 92  | 118 | 11 | 48   | 20   | 25 | 43,5 | 89003       |
|              | 807  | 80704       | UCF 208/83 | 40 | 83  | 110 | 11 | 53   | 19,5 | 25 | 44,5 | 89003       |
|              | 807  | 80714       | UCF 208    | 40 | 102 | 130 | 11 | 53   | 19   | 25 | 44   | 89003       |



**Safety Cap**

**Inserto standard / Standard insert / Standard-Flanschlager**

| Stainless Steel | Part | Article-Nr. | Series     | d  | I   | A   | C  | D    | E    | F  | G    | Article-Nr. |
|-----------------|------|-------------|------------|----|-----|-----|----|------|------|----|------|-------------|
|                 | 807  | 80701SS     | UCF 205    | 25 | 70  | 98  | 11 | 34   | 16   | 22 | 35,5 | 89001       |
|                 | 807  | 80702SS     | UCF 206    | 30 | 83  | 110 | 11 | 40,3 | 17   | 25 | 39   | 89002       |
|                 | 807  | 80703SS     | UCF 207/83 | 35 | 83  | 110 | 11 | 48   | 20   | 25 | 43,5 | 89003       |
|                 | 807  | 80713SS     | UCF 207    | 35 | 92  | 118 | 11 | 48   | 20   | 25 | 43,5 | 89003       |
|                 | 807  | 80704SS     | UCF 208/83 | 40 | 83  | 110 | 11 | 53   | 19,5 | 25 | 44,5 | 89003       |
|                 | 807  | 80714SS     | UCF 208    | 40 | 102 | 130 | 11 | 53   | 19   | 25 | 44   | 89003       |

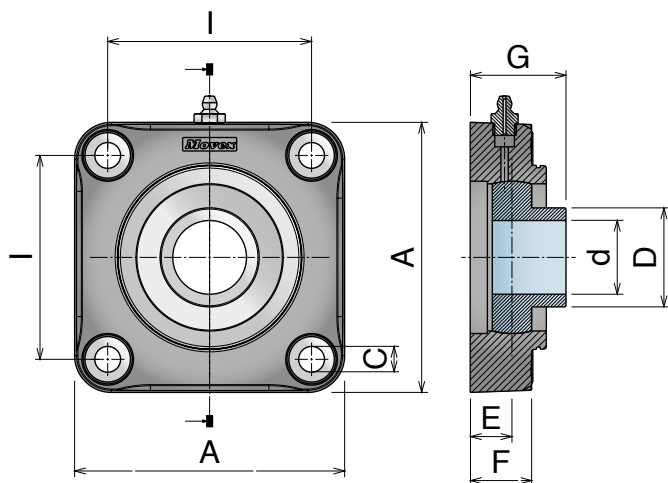


**Inserto con ghiera eccentrica / Insert with locking collar / Flanschlager mit Exzenter-Klemmring**

| Chrome Steel | Part | Article-Nr. | Series     | d  | I   | A   | C  | D    | E    | F  | G    | Article-Nr. |
|--------------|------|-------------|------------|----|-----|-----|----|------|------|----|------|-------------|
|              | 808  | 80801       | UCF 205    | 25 | 70  | 98  | 11 | 38,1 | 16   | 22 | 39,4 | 89001       |
|              | 808  | 80802       | UCF 206    | 30 | 83  | 110 | 11 | 44,5 | 17   | 25 | 44,7 | 89002       |
|              | 808  | 80803       | UCF 207/83 | 35 | 83  | 110 | 11 | 55,6 | 20   | 25 | 50,4 | 89003       |
|              | 808  | 80813       | UCF 207    | 35 | 92  | 118 | 11 | 55,6 | 20   | 25 | 50,4 | 89003       |
|              | 808  | 80804       | UCF 208/83 | 40 | 83  | 110 | 11 | 60,3 | 19,5 | 25 | 54,2 | 89003       |
|              | 808  | 80814       | UCF 208    | 40 | 102 | 130 | 11 | 60,3 | 19   | 25 | 53,7 | 89003       |



**Safety Cap**



**SOLID HOUSING**



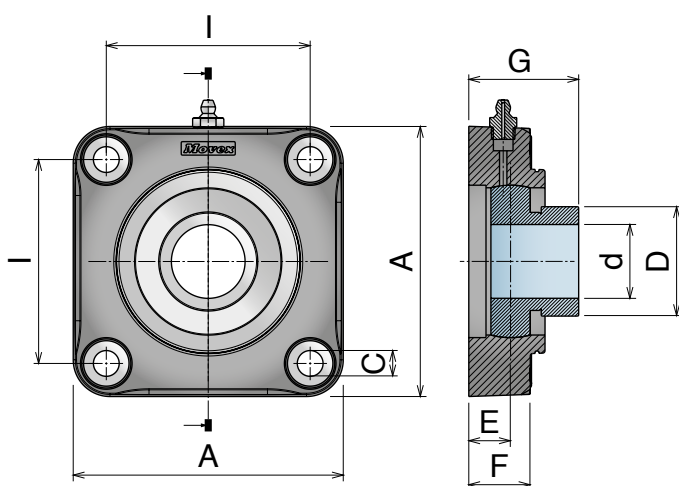
**Safety Cap**

**Inserto standard / Standard insert / Standard-Flanschlager**

| Chrome Steel | Part | Article-Nr. | Series     | d  | I  | A   | C  | D    | E    | F  | G    | Article-Nr. |
|--------------|------|-------------|------------|----|----|-----|----|------|------|----|------|-------------|
|              | 828  | 82801       | UCF 205    | 25 | 70 | 98  | 11 | 34   | 16   | 22 | 35,5 | 89001       |
|              | 828  | 82802       | UCF 206    | 30 | 83 | 110 | 11 | 40,3 | 17   | 25 | 39   | 89002       |
|              | 828  | 82813       | UCF 207    | 35 | 92 | 118 | 11 | 48   | 20   | 25 | 43,5 | 89003       |
|              | 828  | 82804       | UCF 208/83 | 40 | 83 | 110 | 11 | 53   | 19,5 | 25 | 44,5 | 89003       |

**Inserto standard / Standard insert / Standard-Flanschlager**

| Stainless Steel | Part | Article-Nr. | Series     | d  | I  | A   | C  | D    | E    | F  | G    | Article-Nr. |
|-----------------|------|-------------|------------|----|----|-----|----|------|------|----|------|-------------|
|                 | 828  | 82801SS     | UCF 205    | 25 | 70 | 98  | 11 | 34   | 16   | 22 | 35,5 | 89001       |
|                 | 828  | 82802SS     | UCF 206    | 30 | 83 | 110 | 11 | 40,3 | 17   | 25 | 39   | 89002       |
|                 | 828  | 82813SS     | UCF 207    | 35 | 92 | 118 | 11 | 48   | 20   | 25 | 43,5 | 89003       |
|                 | 828  | 82804SS     | UCF 208/83 | 40 | 83 | 110 | 11 | 53   | 19,5 | 25 | 44,5 | 89003       |



**Safety Cap**

**Inserto con ghiera eccentrica / Insert with locking collar / Flanschlager mit Exzenter-Klemmring**

| Chrome Steel | Part | Article-Nr. | Series     | d  | I  | A   | C  | D    | E    | F  | G    | Article-Nr. |
|--------------|------|-------------|------------|----|----|-----|----|------|------|----|------|-------------|
|              | 829  | 82901       | UCF 205    | 25 | 70 | 98  | 11 | 38,1 | 16   | 22 | 39,4 | 89001       |
|              | 829  | 82902       | UCF 206    | 30 | 83 | 110 | 11 | 44,5 | 17   | 25 | 44,7 | 89002       |
|              | 829  | 82913       | UCF 207    | 35 | 92 | 118 | 11 | 55,6 | 20   | 25 | 50,4 | 89003       |
|              | 829  | 82904       | UCF 208/83 | 40 | 83 | 110 | 11 | 60,3 | 19,5 | 25 | 54,2 | 89003       |

## UCF

Delivery: **Easy** Standard**Componenti**

• Sede in poliammide rinforzato, con elevata resistenza meccanica e ottima resistenza contro agenti chimici corrosivi quali acqua, oli, benzina e liquidi contenenti alcool. Tutti i nostri cuscinetti possono essere utilizzati ad una temperatura compresa fra 0°C e +80°C.

• I cuscinetti sono realizzati in acciaio al cromo, disponibili anche, su richiesta, nella versione in acciaio inox.

Il cuscinetto all'interno della flangia può essere regolato di 2,5°.

• L'ingrassatore viene realizzato in ferro nichelato, o in acciaio inox nella versione con il cuscinetto in acciaio inox.

• Distanziali realizzati in ottone nichelato per rinforzare il foro di fissaggio.

• Rondella in acciaio inox.

• Coperchio di sicurezza in PP.

• Anello di tenuta in gomma NBR.

• O-ring in NBR rubber.

**Components**

• *Housing in reinforced polyamide, with higher load capacity and good resistance to corrosive chemicals such as water, oils, petrol and alcoholic beverages.*

*All our bearings can be used at temperatures between 0°C and +80°C.*

• *Ball bearings are made in chrome steel. They are also available, upon request, in stainless steel. Max misalignment between shaft and housing: 2.5°.*

• *Grease nipple are made in nickel plated steel, but they can also be made in stainless steel on the stainless steel bearing.*

• *Spacers from nickel plated brass to reinforce fixing holes.*

• *Washer stainless steel.*

• *Clip-on safety cap in PP.*

• *Rotary shaft seal ring in NBR rubber.*

• *O-ring in NBR rubber.*

**Komponenten**

• *Gehäuse gefertigt aus verstärktem Polyamid. Dies gewährleistet eine gute Widerstandsfähigkeit gegenüber mechanischen Einflüssen und eine gute Korrosionsbeständigkeit gegenüber Wasser, Ölen, Benzin, Flüssigkeiten mit Alkohol und Chemikalien. Alle unsere Gehäuse-Lagereinheiten können in einem Temperaturbereich von 0°C bis +80°C eingesetzt werden.*

• *Die Lagereinsätze sind aus Chrom-Stahl, auf Anfrage auch in Edelstahl erhältlich. Alle Lager gleichen eine Fluchtungsfehler von bis zu 2,5° selbstständig aus.*

• *Die Schmiernippel sind aus vernickeltem Stahl (aus Edelstahl wenn die Ausführung mit Edelstahl Einsatz gefragt ist).*

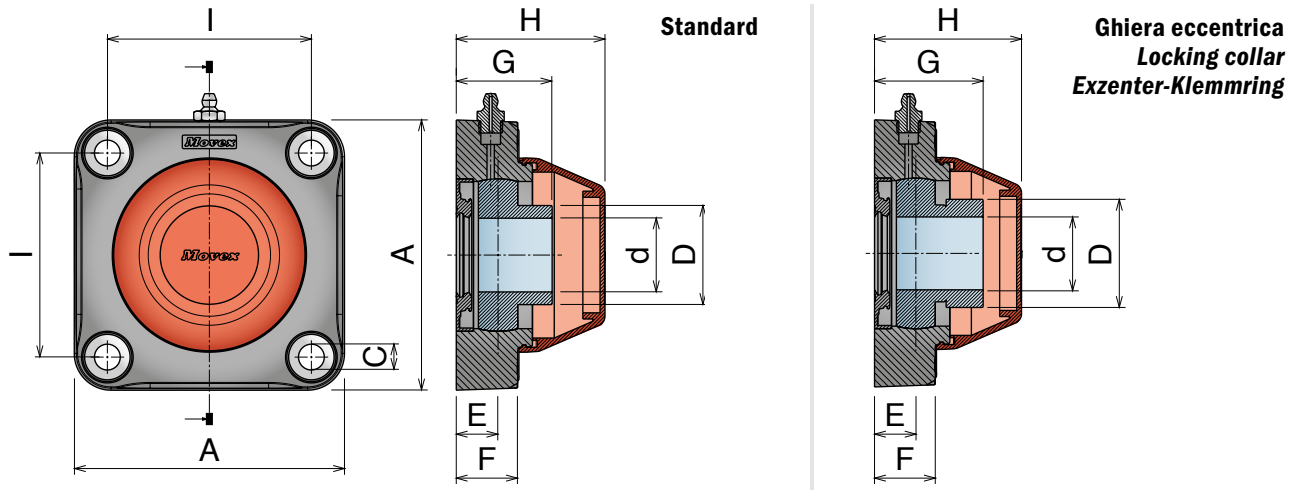
• *Alle Distanzstücke sind aus vernickeltem Messing und verstärkten die Befestigungsbohrungen.*

• *Alle Unterlegscheiben aus Edelstahl.*

• *Schutzkappe aus PP.*

• *Dichtringe aus NBR-Gummi.*

• *O-Ringe aus NBR-Gummi.*



**Inserto standard, con guarnizioni, versione aperta e chiusa**

*Standard insert, sealed, open and close version/Standard-Flanschlager, abgedichtet, offene und geschlossene Version*

| Chrome Steel | Part  | Art-close | Part  | Art-open   | Series  | d   | I   | A  | C    | D    | E  | F    | G    | H    |
|--------------|-------|-----------|-------|------------|---------|-----|-----|----|------|------|----|------|------|------|
|              | 809   | 80901     | 810   | 81001      | UCF 205 | 25  | 70  | 98 | 11   | 34   | 16 | 22   | 35,5 | 51,5 |
| 809          | 80902 | 810       | 81002 | UCF 206    | 30      | 83  | 110 | 11 | 40,3 | 17   | 25 | 39   | 60,5 |      |
| 809          | 80903 | 810       | 81003 | UCF 207/83 | 35      | 83  | 110 | 11 | 48   | 20   | 25 | 43,5 | 65,5 |      |
| 809          | 80913 | 810       | 81013 | UCF 207    | 35      | 92  | 118 | 11 | 48   | 20   | 25 | 43,5 | 65,5 |      |
| 809          | 80904 | 810       | 81004 | UCF 208/83 | 40      | 83  | 110 | 11 | 53   | 19,5 | 25 | 44,5 | 65,5 |      |
| 809          | 80914 | 810       | 81014 | UCF 208    | 40      | 102 | 130 | 11 | 53   | 19   | 25 | 44   | 65,5 |      |

**Inserto standard, con guarnizioni, versione aperta e chiusa**

*Standard insert, sealed, open and close version/Standard-Flanschlager, abgedichtet, offene und geschlossene Version*

| Stainless Steel | Part    | Art-close | Part    | Art-open   | Series  | d   | I   | A  | C    | D    | E  | F    | G    | H    |
|-----------------|---------|-----------|---------|------------|---------|-----|-----|----|------|------|----|------|------|------|
|                 | 809     | 80901SS   | 810     | 81001SS    | UCF 205 | 25  | 70  | 98 | 11   | 34   | 16 | 22   | 35,5 | 51,5 |
| 809             | 80902SS | 810       | 81002SS | UCF 206    | 30      | 83  | 110 | 11 | 40,3 | 17   | 25 | 39   | 60,5 |      |
| 809             | 80903SS | 810       | 81003SS | UCF 207/83 | 35      | 83  | 110 | 11 | 48   | 20   | 25 | 43,5 | 65,5 |      |
| 809             | 80913SS | 810       | 81013SS | UCF 207    | 35      | 92  | 118 | 11 | 48   | 20   | 25 | 43,5 | 65,5 |      |
| 809             | 80904SS | 810       | 81004SS | UCF 208/83 | 40      | 83  | 110 | 11 | 53   | 19,5 | 25 | 44,5 | 65,5 |      |
| 809             | 80914SS | 810       | 81014SS | UCF 208    | 40      | 102 | 130 | 11 | 53   | 19   | 25 | 44   | 65,5 |      |

**Inserto "Long life", con guarnizioni, versione aperta e chiusa**

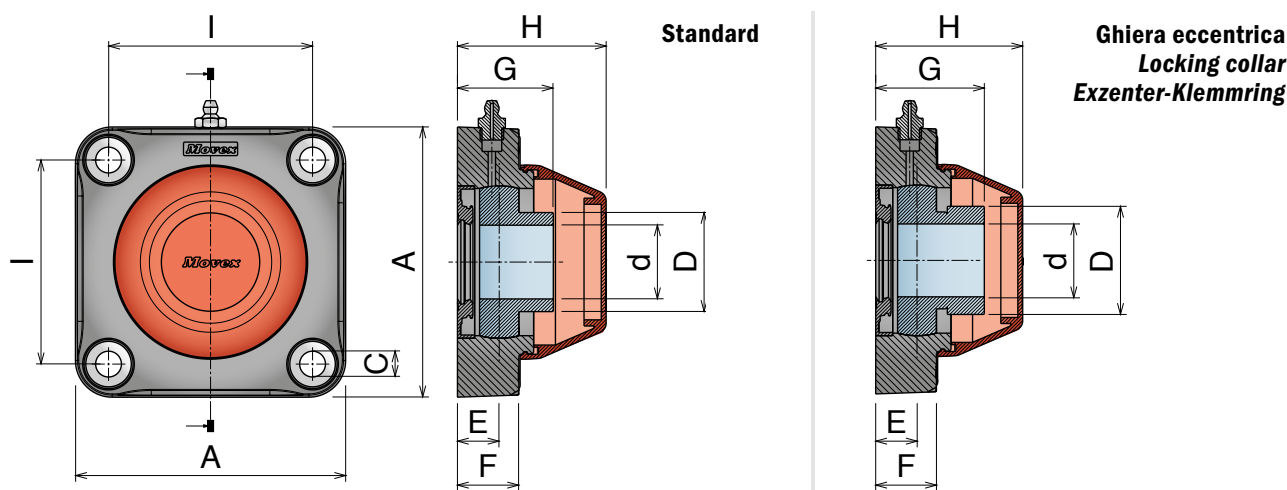
*"Long life" insert, sealed, open and close version/"Long life"-Flanschlager, abgedichtet, offene und geschlossene Version*

| "Long life" | Part   | Art-close | Part   | Art-open   | Series  | d   | I   | A  | C    | D    | E  | F    | G    | H    |
|-------------|--------|-----------|--------|------------|---------|-----|-----|----|------|------|----|------|------|------|
|             | 809    | 80901L    | 810    | 81001L     | UCF 205 | 25  | 70  | 98 | 11   | 34   | 16 | 22   | 35,5 | 51,5 |
| 809         | 80902L | 810       | 81002L | UCF 206    | 30      | 83  | 110 | 11 | 40,3 | 17   | 25 | 39   | 60,5 |      |
| 809         | 80903L | 810       | 81003L | UCF 207/83 | 35      | 83  | 110 | 11 | 48   | 20   | 25 | 43,5 | 65,5 |      |
| 809         | 80913L | 810       | 81013L | UCF 207    | 35      | 92  | 118 | 11 | 48   | 20   | 25 | 43,5 | 65,5 |      |
| 809         | 80904L | 810       | 81004L | UCF 208/83 | 40      | 83  | 110 | 11 | 53   | 19,5 | 25 | 44,5 | 65,5 |      |
| 809         | 80914L | 810       | 81014L | UCF 208    | 40      | 102 | 130 | 11 | 53   | 19   | 25 | 44   | 65,5 |      |

**Inserto con ghiera eccentrica, guarnizioni, versione aperta e chiusa**

*Insert with locking collar, sealed, open and close version/Flanschlager mit Exzenter-Klemmring, abgedichtet, offene und geschlossene Version*

| Chrome Steel | Part  | Art-close | Part  | Art-open   | Series  | d   | I   | A  | C    | D    | E  | F    | G    | H    |
|--------------|-------|-----------|-------|------------|---------|-----|-----|----|------|------|----|------|------|------|
|              | 811   | 81101     | 812   | 81201      | UCF 205 | 25  | 70  | 98 | 11   | 38,1 | 16 | 22   | 39,4 | 51,5 |
| 811          | 81102 | 812       | 81202 | UCF 206    | 30      | 83  | 110 | 11 | 44,5 | 17   | 25 | 44,7 | 60,5 |      |
| 811          | 81103 | 812       | 81203 | UCF 207/83 | 35      | 83  | 110 | 11 | 55,6 | 20   | 25 | 50,4 | 65,5 |      |
| 811          | 81113 | 812       | 81213 | UCF 207    | 35      | 92  | 118 | 11 | 55,6 | 20   | 25 | 50,4 | 65,5 |      |
| 811          | 81104 | 812       | 81204 | UCF 208/83 | 40      | 83  | 110 | 11 | 60,3 | 19,5 | 25 | 54,2 | 65,5 |      |
| 811          | 81114 | 812       | 81214 | UCF 208    | 40      | 102 | 130 | 11 | 60,3 | 19   | 25 | 53,7 | 65,5 |      |



**Inserto standard, con guarnizioni, versione aperta e chiusa**

*Standard insert, sealed, open and close version/Standard-Flanschlager, abgedichtet, offene und geschlossene Version*

| Chrome Steel | Part | Art-close | Part | Art-open | Series     | d  | I  | A   | C  | D    | E    | F  | G    | H    |
|--------------|------|-----------|------|----------|------------|----|----|-----|----|------|------|----|------|------|
|              | 830  | 83001     | 831  | 83101    | UCF 205    | 25 | 70 | 98  | 11 | 34   | 16   | 22 | 35,5 | 51,5 |
|              | 830  | 83002     | 831  | 83102    | UCF 206    | 30 | 83 | 110 | 11 | 40,3 | 17   | 25 | 39   | 60,5 |
|              | 830  | 83013     | 831  | 83113    | UCF 207    | 35 | 92 | 118 | 11 | 48   | 20   | 25 | 43,5 | 65,5 |
|              | 830  | 83004     | 831  | 83104    | UCF 208/83 | 40 | 83 | 110 | 11 | 53   | 19,5 | 25 | 44,5 | 65,5 |

**Inserto standard, con guarnizioni, versione aperta e chiusa**

*Standard insert, sealed, open and close version/Standard-Flanschlager, abgedichtet, offene und geschlossene Version*

| Stainless Steel | Part | Art-close | Part | Art-open | Series     | d  | I  | A   | C  | D    | E    | F  | G    | H    |
|-----------------|------|-----------|------|----------|------------|----|----|-----|----|------|------|----|------|------|
|                 | 830  | 83001SS   | 831  | 83101SS  | UCF 205    | 25 | 70 | 98  | 11 | 34   | 16   | 22 | 35,5 | 51,5 |
|                 | 830  | 83002SS   | 831  | 83102SS  | UCF 206    | 30 | 83 | 110 | 11 | 40,3 | 17   | 25 | 39   | 60,5 |
|                 | 830  | 83013SS   | 831  | 83113SS  | UCF 207    | 35 | 92 | 118 | 11 | 48   | 20   | 25 | 43,5 | 65,5 |
|                 | 830  | 83004SS   | 831  | 83104SS  | UCF 208/83 | 40 | 83 | 110 | 11 | 53   | 19,5 | 25 | 44,5 | 65,5 |

**Inserto "Long life", con guarnizioni, versione aperta e chiusa**

*"Long life" insert, sealed, open and close version/"Long life"-Flanschlager, abgedichtet, offene und geschlossene Version*

| "Long life" | Part | Art-close | Part | Art-open | Series     | d  | I  | A   | C  | D    | E    | F  | G    | H    |
|-------------|------|-----------|------|----------|------------|----|----|-----|----|------|------|----|------|------|
|             | 830  | 83001L    | 831  | 83101L   | UCF 205    | 25 | 70 | 98  | 11 | 34   | 16   | 22 | 35,5 | 51,5 |
|             | 830  | 83002L    | 831  | 83102L   | UCF 206    | 30 | 83 | 110 | 11 | 40,3 | 17   | 25 | 39   | 60,5 |
|             | 830  | 83013L    | 831  | 83113L   | UCF 207    | 35 | 92 | 118 | 11 | 48   | 20   | 25 | 43,5 | 65,5 |
|             | 830  | 83004L    | 831  | 83104L   | UCF 208/83 | 40 | 83 | 110 | 11 | 53   | 19,5 | 25 | 44,5 | 65,5 |

**Inserto con ghiera eccentrica, guarnizioni, versione aperta e chiusa**

*Insert with locking collar, sealed, open and close version/Flanschlager mit Exzenter-Klemmring, abgedichtet, offene und geschlossene Version*

| Chrome Steel | Part | Art-close | Part | Art-open | Series     | d  | I  | A   | C  | D    | E    | F  | G    | H    |
|--------------|------|-----------|------|----------|------------|----|----|-----|----|------|------|----|------|------|
|              | 832  | 83201     | 833  | 83301    | UCF 205    | 25 | 70 | 98  | 11 | 38,1 | 16   | 22 | 39,4 | 51,5 |
|              | 832  | 83202     | 833  | 83302    | UCF 206    | 30 | 83 | 110 | 11 | 44,5 | 17   | 25 | 44,7 | 60,5 |
|              | 832  | 83213     | 833  | 83313    | UCF 207    | 35 | 92 | 118 | 11 | 55,6 | 20   | 25 | 50,4 | 65,5 |
|              | 832  | 83204     | 833  | 83304    | UCF 208/83 | 40 | 83 | 110 | 11 | 60,3 | 19,5 | 25 | 54,2 | 65,5 |



**SOLID HOUSING**

## UCFA

SOLID HOUSING

Delivery: **Easy** Standard

### Componenti

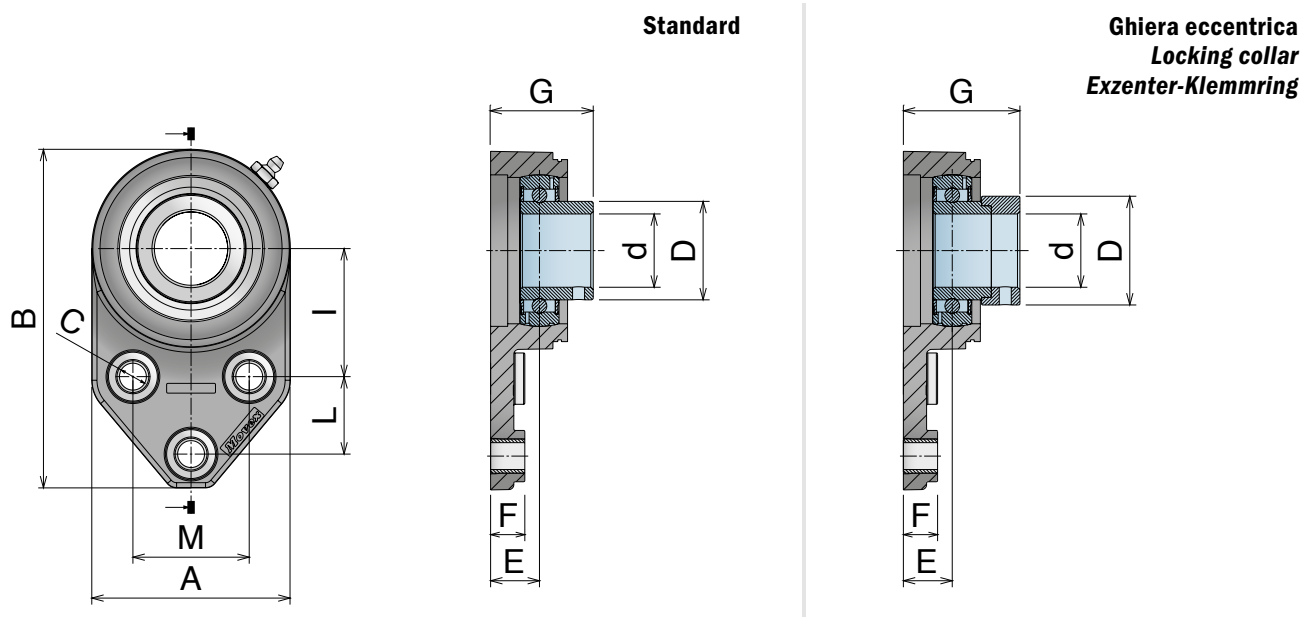
- Sede in poliammide rinforzato, con elevata resistenza meccanica e ottima resistenza contro agenti chimici corrosivi quali acqua, oli, benzina e liquidi contenenti alcool. Tutti i nostri cuscinetti possono essere utilizzati ad una temperatura compresa fra 0°C e +80°C.
- I cuscinetti sono realizzati in acciaio al cromo, disponibili anche, su richiesta, nella versione in acciaio inox. Il cuscinetto all'interno della flangia può essere regolato di 2,5°.
- L'ingrassatore viene realizzato in ferro nichelato, o in acciaio inox nella versione con il cuscinetto in acciaio inox.
- Distanziali realizzati in ottone nichelato per rinforzare il foro di fissaggio.
- Rondella in acciaio inox.

### Components

- *Housing in reinforced polyamide, with higher load capacity and good resistance to corrosive chemicals such as water, oils, petrol and alcoholic beverages. All our bearings can be used at temperatures between 0°C and +80°C.*
- *Ball bearings are made in chrome steel. They are also available, upon request, in stainless steel. Max misalignment between shaft and housing: 2.5°.*
- *Grease nipple are made in nickel plated steel, but they can also be made in stainless steel on the stainless steel bearing.*
- *Spacers from nickel plated brass to reinforce fixing holes.*
- *Washer stainless steel.*

### Komponenten

- *Gehäuse gefertigt aus verstärktem Polyamid. Dies gewährleistet eine gute Widerstandsfähigkeit gegenüber mechanischen Einflüssen und eine gute Korrosionsbeständigkeit gegenüber Wasser, Ölen, Benzin, Flüssigkeiten mit Alkohol und Chemikalien. Alle unsere Gehäuse-Lagereinheiten können in einem Temperaturbereich von 0°C bis +80°C eingesetzt werden.*
- *Die Lagereinsätze sind aus Chrom-Stahl, auf Anfrage auch in Edelstahl erhältlich. Alle Lager gleichen einen Fluchtungsfehler von bis zu 2,5° selbstständig aus.*
- *Die Schmiernippel sind aus vernickeltem Stahl (aus Edelstahl wenn die Ausführung mit Edelstahl Einsatz gefragt ist).*
- *Alle Distanzstücke sind aus vernickeltem Messing und verstärken die Befestigungsbohrungen.*
- *Alle Unterlegscheiben aus Edelstahl.*



**Inserto standard / Standard insert / Standard-Flanschlager**

| Chrome Steel | Part  | Article-Nr. | Series   | d    | l    | A    | C    | D    | L    | M     | B     | E    | F    | G     | Article-Nr. |
|--------------|-------|-------------|----------|------|------|------|------|------|------|-------|-------|------|------|-------|-------------|
|              | 834   | 83400       | UCFA 204 | 20   | 46   | 68,8 | 11   | 29   | 28,6 | 41,3  | 124,2 | 16,4 | 14   | 34,4  | 89001       |
| 834          | 83401 | UCFA 205    | 25       | 46   | 68,8 | 11   | 34   | 28,6 | 41,3 | 124,2 | 17,8  | 14   | 37,3 | 89001 |             |
| 834          | 83402 | UCFA 206    | 30       | 52,4 | 81,3 | 11   | 40,3 | 31,7 | 47,6 | 138,6 | 20    | 14   | 42   | 89002 |             |



**Safety Cap**

**Inserto standard / Standard insert / Standard-Flanschlager**

| Stainless Steel | Part    | Article-Nr. | Series   | d    | l    | A    | C    | D    | L    | M     | B     | E    | F    | G     | Article-Nr. |
|-----------------|---------|-------------|----------|------|------|------|------|------|------|-------|-------|------|------|-------|-------------|
|                 | 834     | 83400SS     | UCFA 204 | 20   | 46   | 68,8 | 11   | 29   | 28,6 | 41,3  | 124,2 | 16,4 | 14   | 34,4  | 89001       |
| 834             | 83401SS | UCFA 205    | 25       | 46   | 68,8 | 11   | 34   | 28,6 | 41,3 | 124,2 | 17,8  | 14   | 37,3 | 89001 |             |
| 834             | 83402SS | UCFA 206    | 30       | 52,4 | 81,3 | 11   | 40,3 | 31,7 | 47,6 | 138,6 | 20    | 14   | 42   | 89002 |             |

**Inserto con ghiera eccentrica / Insert with locking collar / Flanschlager mit Exzenter-Klemmring**

| Chrome Steel | Part  | Article-Nr. | Series   | d    | l    | A    | C    | D    | L    | M     | B     | E    | F    | G     | Article-Nr. |
|--------------|-------|-------------|----------|------|------|------|------|------|------|-------|-------|------|------|-------|-------------|
|              | 835   | 83500       | UCFA 204 | 20   | 46   | 68,8 | 11   | 33,3 | 28,6 | 41,3  | 124,2 | 16,4 | 14   | 40,3  | 89001       |
| 835          | 83501 | UCFA 205    | 25       | 46   | 68,8 | 11   | 38,1 | 28,6 | 41,3 | 124,2 | 17,8  | 14   | 41,2 | 89001 |             |
| 835          | 83502 | UCFA 206    | 30       | 52,4 | 81,3 | 11   | 44,5 | 31,7 | 47,6 | 138,6 | 20    | 14   | 47,7 | 89002 |             |

## UCFA

SOLID HOUSING

Delivery: **Easy** Standard

### Componenti

- Sede in poliammide rinforzato, con elevata resistenza meccanica e ottima resistenza contro agenti chimici corrosivi quali acqua, oli, benzina e liquidi contenenti alcool. Tutti i nostri cuscinetti possono essere utilizzati ad una temperatura compresa fra 0°C e +80°C.
- I cuscinetti sono realizzati in acciaio al cromo, disponibili anche, su richiesta, nella versione in acciaio inox. Il cuscinetto all'interno della flangia può essere regolato di 2,5°.
- L'ingrassatore viene realizzato in ferro nichelato, o in acciaio inox nella versione con il cuscinetto in acciaio inox.
- Distanziali realizzati in ottone nichelato per rinforzare il foro di fissaggio.
- Rondella in acciaio inox.
- Coperchio di sicurezza in PP.
- Anello di tenuta in gomma NBR.
- O-ring in NBR rubber.

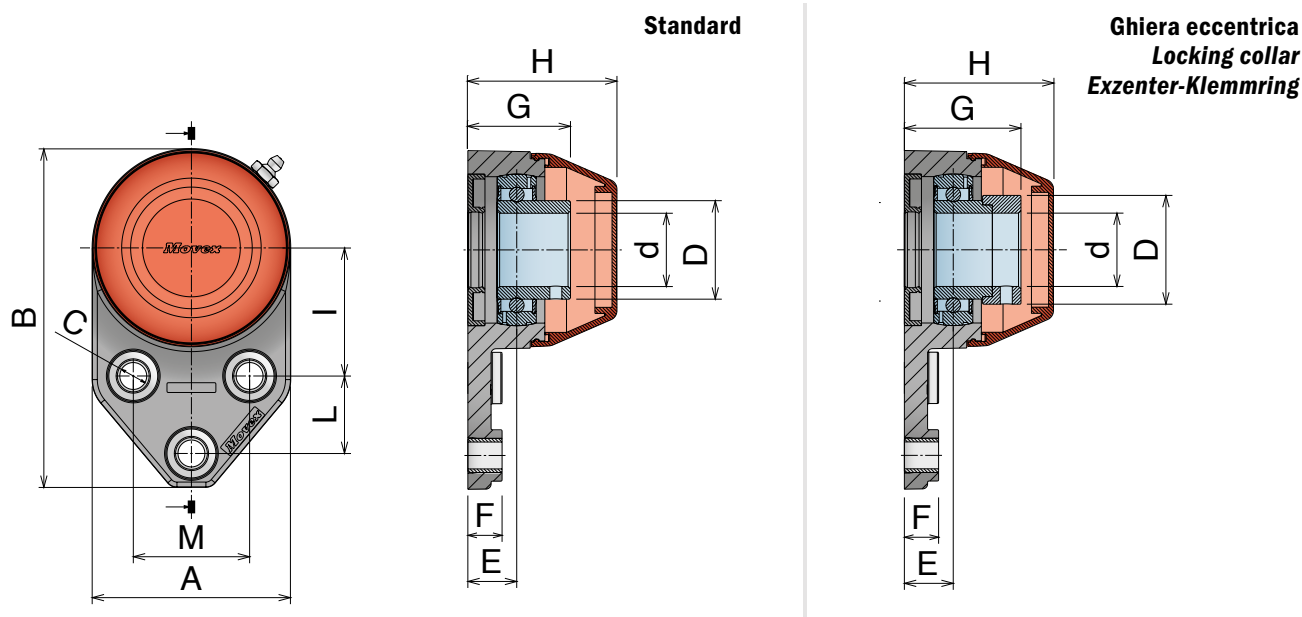
### Components

- *Housing in reinforced polyamide, with higher load capacity and good resistance to corrosive chemicals such as water, oils, petrol and alcoholic beverages. All our bearings can be used at temperatures between 0°C and +80°C.*
- *Ball bearings are made in chrome steel. They are also available, upon request, in stainless steel. Max misalignment between shaft and housing: 2.5°.*
- *Grease nipple are made in nickel plated steel, but they can also be made in stainless steel on the stainless steel bearing.*
- *Spacers from nickel plated brass to reinforce fixing holes.*
- *Washer stainless steel.*
- *Clip-on safety cap in PP.*
- *Rotary shaft seal ring in NBR rubber.*
- *O-ring in NBR rubber.*

### Komponenten

- *Gehäuse gefertigt aus verstärktem Polyamid. Dies gewährleistet eine gute Widerstandsfähigkeit gegenüber mechanischen Einflüssen und eine gute Korrosionsbeständigkeit gegenüber Wasser, Ölen, Benzin, Flüssigkeiten mit Alkohol und Chemikalien. Alle unsere Gehäuse-Lagereinheiten können in einem Temperaturbereich von 0°C bis +80°C eingesetzt werden.*
- *Die Lagereinsätze sind aus Chrom-Stahl, auf Anfrage auch in Edelstahl erhältlich. Alle Lager gleichen eine Fluchtungsfehler von bis zu 2,5° selbstständig aus.*
- *Die Schmiernippel sind aus vernickeltem Stahl (aus Edelstahl wenn die Ausführung mit Edelstahl Einsatz gefragt ist).*
- *Alle Distanzstücke sind aus vernickeltem Messing und verstärkten die Befestigungsbohrungen.*
- *Alle Unterlegscheiben aus Edelstahl.*
- *Schutzkappe aus PP*
- *Dichtringe aus NBR-Gummi*
- *O-Ringe aus NBR-Gummi*





**Inserto standard, con guarnizioni, versione aperta e chiusa**

*Standard insert, sealed, open and close version/Standard-Flanschlager, abgedichtet, offene und geschlossene Version*

| Chrome Steel | Part  | Art-close | Part  | Art-open | Series  | d    | I    | A    | C    | D    | L    | M     | B     | E    | F    | G    | H    |
|--------------|-------|-----------|-------|----------|---------|------|------|------|------|------|------|-------|-------|------|------|------|------|
|              | 836   | 83600     | 837   | 83700    | UCF 204 | 20   | 46   | 68,8 | 11   | 29   | 28,6 | 41,3  | 124,2 | 16,4 | 14   | 34,4 | 51,8 |
| 836          | 83601 | 837       | 83701 | UCF 205  | 25      | 46   | 68,8 | 11   | 34   | 28,6 | 41,3 | 124,2 | 17,8  | 14   | 37,3 | 51,8 |      |
| 836          | 83602 | 837       | 83702 | UCF 206  | 30      | 52,4 | 81,3 | 11   | 40,3 | 31,7 | 47,6 | 138,6 | 20    | 14   | 42   | 61   |      |

**Inserto standard, con guarnizioni, versione aperta e chiusa**

*Standard insert, sealed, open and close version/Standard-Flanschlager, abgedichtet, offene und geschlossene Version*

| Stainless Steel | Part    | Art-close | Part    | Art-open | Series  | d    | I    | A    | C    | D    | L    | M     | B     | E    | F    | G    | H    |
|-----------------|---------|-----------|---------|----------|---------|------|------|------|------|------|------|-------|-------|------|------|------|------|
|                 | 836     | 83600SS   | 837     | 83700SS  | UCF 204 | 20   | 46   | 68,8 | 11   | 29   | 28,6 | 41,3  | 124,2 | 16,4 | 14   | 34,4 | 51,8 |
| 836             | 83601SS | 837       | 83701SS | UCF 205  | 25      | 46   | 68,8 | 11   | 34   | 28,6 | 41,3 | 124,2 | 17,8  | 14   | 37,3 | 51,8 |      |
| 836             | 83602SS | 837       | 83702SS | UCF 206  | 30      | 52,4 | 81,3 | 11   | 40,3 | 31,7 | 47,6 | 138,6 | 20    | 14   | 42   | 61   |      |

**Inserto "Long life", con guarnizioni, versione aperta e chiusa**

*"Long life" insert, sealed, open and close version/"Long life"-Flanschlager, abgedichtet, offene und geschlossene Version*

| "Long life" | Part   | Art-close | Part   | Art-open | Series  | d    | I    | A    | C    | D    | L    | M     | B     | E    | F    | G    | H    |
|-------------|--------|-----------|--------|----------|---------|------|------|------|------|------|------|-------|-------|------|------|------|------|
|             | 836    | 83600L    | 837    | 83700L   | UCF 204 | 20   | 46   | 68,8 | 11   | 29   | 28,6 | 41,3  | 124,2 | 16,4 | 14   | 34,4 | 51,8 |
| 836         | 83601L | 837       | 83701L | UCF 205  | 25      | 46   | 68,8 | 11   | 34   | 28,6 | 41,3 | 124,2 | 17,8  | 14   | 37,3 | 51,8 |      |
| 836         | 83602L | 837       | 83702L | UCF 206  | 30      | 52,4 | 81,3 | 11   | 40,3 | 31,7 | 47,6 | 138,6 | 20    | 14   | 42   | 61   |      |

**Inserto con ghiera eccentrica, guarnizioni, versione aperta e chiusa**

*Insert with locking collar, sealed, open and close version/Flanschlager mit Exzenter-Klemmring, abgedichtet, offene und geschlossene Version*

| Chrome Steel | Part  | Art-close | Part  | Art-open | Series  | d    | I    | A    | C    | D    | L    | M     | B     | E    | F    | G    | H    |
|--------------|-------|-----------|-------|----------|---------|------|------|------|------|------|------|-------|-------|------|------|------|------|
|              | 838   | 83800     | 839   | 83900    | UCF 204 | 20   | 46   | 68,8 | 11   | 33,3 | 28,6 | 41,3  | 124,2 | 16,4 | 14   | 40,3 | 51,8 |
| 838          | 83801 | 839       | 83901 | UCF 205  | 25      | 46   | 68,8 | 11   | 38,1 | 28,6 | 41,3 | 124,2 | 17,8  | 14   | 41,2 | 51,8 |      |
| 838          | 83802 | 839       | 83902 | UCF 206  | 30      | 52,4 | 81,3 | 11   | 44,5 | 31,7 | 47,6 | 138,6 | 20    | 14   | 47,7 | 61   |      |

## UCFL-H/UCF-H

COVER IN STAINLESS STEEL

Delivery: **Easy** Standard



### Componenti

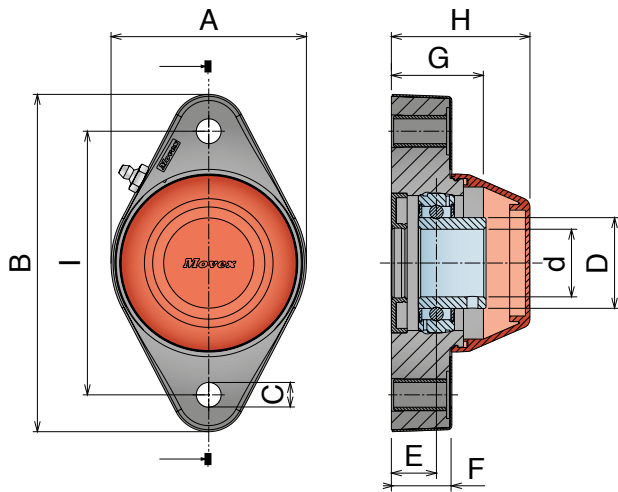
- Sede in poliammide rinforzato, con elevata resistenza meccanica e ottima resistenza contro agenti chimici corrosivi quali acqua, oli, benzina e liquidi contenenti alcool. Tutti i nostri cuscinetti possono essere utilizzati ad una temperatura compresa fra 0°C e +80°C.
- I cuscinetti sono realizzati in acciaio al cromo, disponibili anche, su richiesta, nella versione in acciaio inox. Il cuscinetto all'interno della flangia può essere regolato di 2,5°.
- L'ingrassatore viene realizzato in ferro nichelato, o in acciaio inox nella versione con il cuscinetto in acciaio inox.
- Distanziali realizzati in ottone nichelato per rinforzare il foro di fissaggio.
- Rondella in acciaio inox.
- Coperchio di sicurezza in PP.
- **"Cover"** in acciaio inox.

### Components

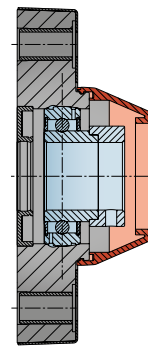
- *Housing in reinforced polyamide, with higher load capacity and good resistance to corrosive chemicals such as water, oils, petrol and alcoholic beverages. All our bearings can be used at temperatures between 0°C and +80°C.*
- *Ball bearings are made in chrome steel. They are also available, upon request, in stainless steel. Max misalignment between shaft and housing: 2.5°.*
- *Grease nipple are made in nickel plated steel, but they can also be made in stainless steel on the stainless steel bearing.*
- *Spacers from nickel plated brass to reinforce fixing holes.*
- *Washer stainless steel.*
- **"Cover"** in stainless steel

### Komponenten

- *Gehäuse gefertigt aus verstärktem Polyamid. Dies gewährleistet eine gute Widerstandsfähigkeit gegenüber mechanischen Einflüssen und eine gute Korrosionsbeständigkeit gegenüber Wasser, Ölen, Benzin, Flüssigkeiten mit Alkohol und Chemikalien. Alle unsere Gehäuse-Lagereinheiten können in einem Temperaturbereich von 0°C bis +80°C eingesetzt werden.*
- *Die Lagereinsätze sind aus Chrom-Stahl, auf Anfrage auch in Edelstahl erhältlich. Alle Lager gleichen eine Fluchtungsfehler von bis zu 2,5° selbstständig aus.*
- *Die Schmiernippel sind aus vernickeltem Stahl (aus Edelstahl wenn die Ausführung mit Edelstahl Einsatz gefragt ist).*
- *Alle Distanzstücke sind aus vernickeltem Messing und verstärkten die Befestigungsbohrungen.*
- *Alle Unterlegscheiben aus Edelstahl.*
- *Gehäuseabdeckung aus Edelstahl.*



Standard



Ghiera eccentrica  
Locking collar  
Exzenter-Klemmring



SOLID HOUSING

Inserto standard, con guarnizioni, versione aperta e chiusa / Standard insert, sealed, open and close version / Standard-Flanschlager, abgedichtet, offene und geschlossene Version

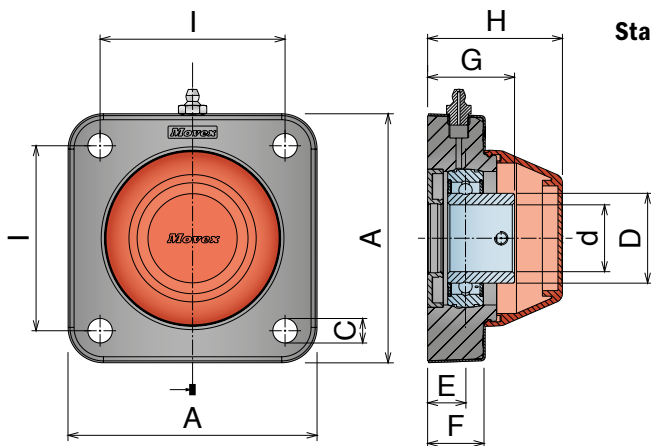
| Chrome Steel | Part   | Art-close | Part   | Art-open       | Series     | d   | I    | A     | B     | C  | D    | E     | F     | G    | H    |
|--------------|--------|-----------|--------|----------------|------------|-----|------|-------|-------|----|------|-------|-------|------|------|
|              | 824    | 82412H    | 825    | 82512H         | UCFL-H 206 | 30  | 117  | 86,7  | 149,7 | 11 | 40,3 | 20    | 26,85 | 42   | 61,5 |
| 824          | 82403H | 825       | 82503H | UCFL-H 207/117 | 35         | 117 | 94,7 | 149,7 | 11    | 48 | 19,5 | 26    | 43    | 66,5 |      |
| 824          | 82404H | 825       | 82504H | UCFL-H 208/117 | 40         | 117 | 94,7 | 149,7 | 11    | 53 | 19   | 26,85 | 44    | 67   |      |

Inserto "long life", con guarnizioni, versione aperta e chiusa / "Long life" insert, sealed, open and close version / "Long Life"-Flanschlager, abgedichtet, offene und geschlossene Version

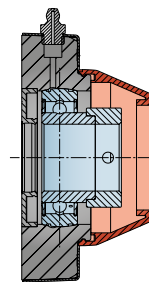
| "Long life" | Part    | Art-close | Part    | Art-open       | Series     | d   | I    | A     | B     | C  | D    | E     | F     | G    | H    |
|-------------|---------|-----------|---------|----------------|------------|-----|------|-------|-------|----|------|-------|-------|------|------|
|             | 824     | 82412LH   | 825     | 82512LH        | UCFL-H 206 | 30  | 117  | 86,7  | 149,7 | 11 | 40,3 | 20    | 26,85 | 42   | 61,5 |
| 824         | 82403LH | 825       | 82503LH | UCFL-H 207/117 | 35         | 117 | 94,7 | 149,7 | 11    | 48 | 19,5 | 26    | 43    | 66,5 |      |
| 824         | 82404LH | 825       | 82504LH | UCFL-H 208/117 | 40         | 117 | 94,7 | 149,7 | 11    | 53 | 19   | 26,85 | 44    | 67   |      |

Inserto con ghiera eccentrica, guarnizioni, versione aperta e chiusa / Insert with locking collar, sealed, open and close version / Flanschlager mit Exzenter-Klemmring, abgedichtet, offene und geschlossene Version

| Chrome Steel | Part   | Art-close | Part   | Art-open       | Series     | d   | I    | A     | B     | C    | D    | E     | F     | G    | H    |
|--------------|--------|-----------|--------|----------------|------------|-----|------|-------|-------|------|------|-------|-------|------|------|
|              | 826    | 82612H    | 827    | 82712H         | UCFL-H 206 | 30  | 117  | 86,7  | 149,7 | 11   | 44,5 | 20    | 26,85 | 47,7 | 61,5 |
| 826          | 82603H | 827       | 82703H | UCFL-H 207/117 | 35         | 117 | 94,7 | 149,7 | 11    | 55,6 | 19,5 | 26    | 49,9  | 66,5 |      |
| 826          | 82604H | 827       | 82704H | UCFL-H 208/117 | 40         | 117 | 94,7 | 149,7 | 11    | 60,3 | 19   | 26,85 | 54    | 67   |      |



Standard



Ghiera eccentrica  
Locking collar  
Exzenter-Klemmring



SOLID HOUSING

Inserto standard, con guarnizioni, versione aperta e chiusa / Standard insert, sealed, open and close version / Standard-Flanschlager, abgedichtet, offene und geschlossene Version

| Chrome Steel | Part   | Art-close | Part   | Art-open     | Series    | d  | I     | A     | C  | D    | E  | F    | G    | H    |
|--------------|--------|-----------|--------|--------------|-----------|----|-------|-------|----|------|----|------|------|------|
|              | 830    | 83002H    | 831    | 83102H       | UCF-H 206 | 30 | 83    | 111,7 | 11 | 40,3 | 17 | 25   | 39   | 60,5 |
| 830          | 83004H | 831       | 83104H | UCF-H 208/83 | 40        | 83 | 111,7 | 11    | 53 | 19,5 | 25 | 44,5 | 65,5 |      |

Inserto "long life", con guarnizioni, versione aperta e chiusa / "Long life" insert, sealed, open and close version / "Long Life"-Flanschlager, abgedichtet, offene und geschlossene Version

| "Long life" | Part    | Art-close | Part    | Art-open     | Series    | d  | I     | A     | C  | D    | E  | F    | G    | H    |
|-------------|---------|-----------|---------|--------------|-----------|----|-------|-------|----|------|----|------|------|------|
|             | 830     | 83002LH   | 831     | 83102LH      | UCF-H 206 | 30 | 83    | 111,7 | 11 | 40,3 | 17 | 25   | 39   | 60,5 |
| 830         | 83004LH | 831       | 83104LH | UCF-H 208/83 | 40        | 83 | 111,7 | 11    | 53 | 19,5 | 25 | 44,5 | 65,5 |      |

Inserto con ghiera eccentrica, guarnizioni, versione aperta e chiusa / Insert with locking collar, sealed, open and close version / Flanschlager mit Exzenter-Klemmring, abgedichtet, offene und geschlossene Version

| Chrome Steel | Part   | Art-close | Part   | Art-open     | Series    | d  | I     | A     | C    | D    | E  | F    | G    | H    |
|--------------|--------|-----------|--------|--------------|-----------|----|-------|-------|------|------|----|------|------|------|
|              | 832    | 83202H    | 833    | 83302H       | UCF-H 206 | 30 | 83    | 111,7 | 11   | 44,5 | 17 | 25   | 47,7 | 60,5 |
| 832          | 83204H | 833       | 83304H | UCF-H 208/83 | 40        | 83 | 111,7 | 11    | 60,3 | 19,5 | 25 | 54,2 | 65,5 |      |

Delivery: **Easy** Standard

### Componenti

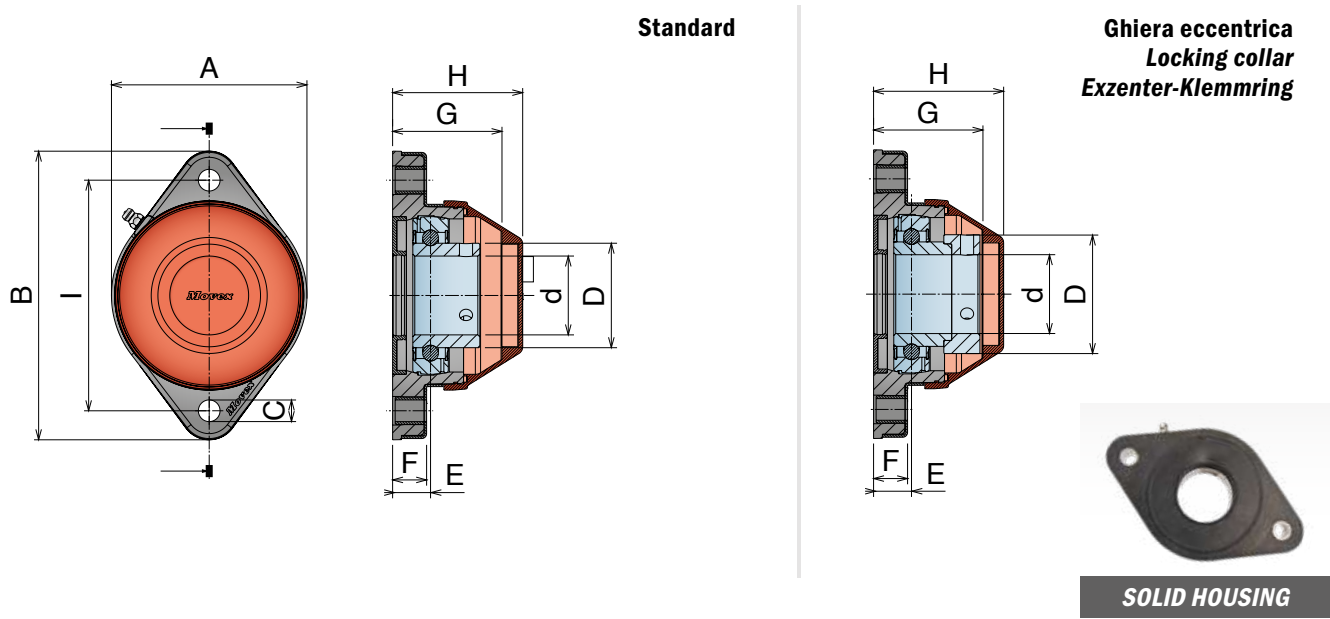
- Sede in poliammide rinforzato, con elevata resistenza meccanica e ottima resistenza contro agenti chimici corrosivi quali acqua, oli, benzina e liquidi contenenti alcool. Tutti i nostri cuscinetti possono essere utilizzati ad una temperatura compresa fra 0°C e +80°C.
- I cuscinetti sono realizzati in acciaio al cromo, disponibili anche, su richiesta, nella versione in acciaio inox. Il cuscinetto all'interno della flangia può essere regolato di 2,5°.
- L'ingrassatore viene realizzato in ferro nichelato, o in acciaio inox nella versione con il cuscinetto in acciaio inox.
- Distanziali realizzati in ottone nichelato per rinforzare il foro di fissaggio.
- Rondella in acciaio inox.
- Coperchio di sicurezza in PP.
- **"Cover"** in acciaio inox.

### Components

- *Housing in reinforced polyamide, with higher load capacity and good resistance to corrosive chemicals such as water, oils, petrol and alcoholic beverages. All our bearings can be used at temperatures between 0°C and +80°C.*
- *Ball bearings are made in chrome steel. They are also available, upon request, in stainless steel. Max misalignment between shaft and housing: 2.5°.*
- *Grease nipple are made in nickel plated steel, but they can also be made in stainless steel on the stainless steel bearing.*
- *Spacers from nickel plated brass to reinforce fixing holes.*
- *Washer stainless steel.*
- **"Cover"** in stainless steel

### Komponenten

- *Gehäuse gefertigt aus verstärktem Polyamid. Dies gewährleistet eine gute Widerstandsfähigkeit gegenüber mechanischen Einflüssen und eine gute Korrosionsbeständigkeit gegenüber Wasser, Ölen, Benzin, Flüssigkeiten mit Alkohol und Chemikalien. Alle unsere Gehäuse-Lagereinheiten können in einem Temperaturbereich von 0°C bis +80°C eingesetzt werden.*
- *Die Lagereinsätze sind aus Chrom-Stahl, auf Anfrage auch in Edelstahl erhältlich. Alle Lager gleichen eine Fluchtungsfehler von bis zu 2,5° selbstständig aus.*
- *Die Schmiernippel sind aus vernickeltem Stahl (aus Edelstahl wenn die Ausführung mit Edelstahl Einsatz gefragt ist).*
- *Alle Distanzstücke sind aus vernickeltem Messing und verstärkten die Befestigungsbohrungen.*
- *Alle Unterlegscheiben aus Edelstahl.*
- **"Cover"** aus Edelstahl.



**Inserto standard, con guarnizioni, versione aperta e chiusa**

*Standard insert, sealed, open and close version/Standard-Flanschlager, abgedichtet, offene und geschlossene Version*

| Chrome Steel | Part | Art-close | Part | Art-open | Series | d  | l   | A  | B     | C  | D  | E    | F    | G    | H  |
|--------------|------|-----------|------|----------|--------|----|-----|----|-------|----|----|------|------|------|----|
|              | 845  | 84502     | 846  | 84602    | CL 206 | 30 | 117 | 99 | 146,5 | 11 | 40 | 18,5 | 16,5 | 40   | 69 |
|              | 845  | 84503     | 846  | 84603    | CL 207 | 35 | 117 | 99 | 146,5 | 11 | 48 | 18,5 | 16,5 | 41,5 | 69 |
|              | 845  | 84504     | 846  | 84604    | CL 208 | 40 | 117 | 99 | 146,5 | 11 | 53 | 18,5 | 16,5 | 43   | 69 |

**Inserto standard, con guarnizioni, versione aperta e chiusa**

*Standard insert, sealed, open and close version/Standard-Flanschlager, abgedichtet, offene und geschlossene Version*

| Stainless Steel | Part | Art-close | Part | Art-open | Series | d  | l   | A  | B     | C  | D  | E    | F    | G    | H  |
|-----------------|------|-----------|------|----------|--------|----|-----|----|-------|----|----|------|------|------|----|
|                 | 845  | 84502SS   | 846  | 84602SS  | CL 206 | 30 | 117 | 99 | 146,5 | 11 | 40 | 18,5 | 16,5 | 40   | 69 |
|                 | 845  | 84503SS   | 846  | 84603SS  | CL 207 | 35 | 117 | 99 | 146,5 | 11 | 48 | 18,5 | 16,5 | 41,5 | 69 |
|                 | 845  | 84504SS   | 846  | 84604SS  | CL 208 | 40 | 117 | 99 | 146,5 | 11 | 53 | 18,5 | 16,5 | 43   | 69 |

**Inserto "Long life", con guarnizioni, versione aperta e chiusa**

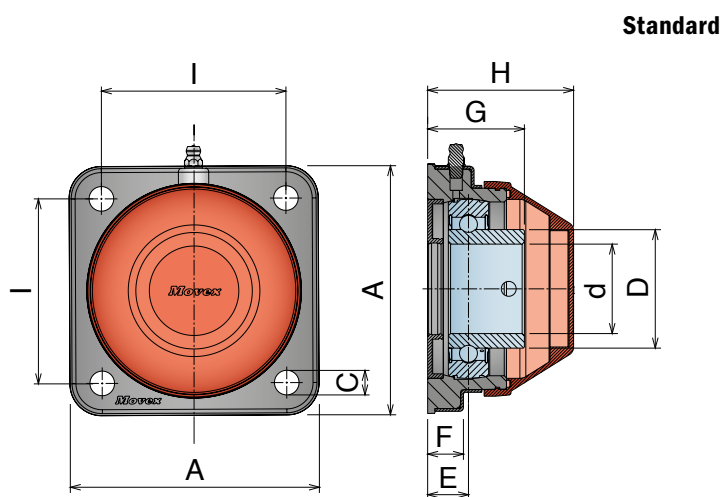
*"Long life" insert, sealed, open and close version/"Long life"-Flanschlager, abgedichtet, offene und geschlossene Version*

| "Long life" | Part | Art-close | Part | Art-open | Series | d  | l   | A  | B     | C  | D  | E    | F    | G    | H  |
|-------------|------|-----------|------|----------|--------|----|-----|----|-------|----|----|------|------|------|----|
|             | 845  | 84502L    | 846  | 84602L   | CL 206 | 30 | 117 | 99 | 146,5 | 11 | 40 | 18,5 | 16,5 | 40   | 69 |
|             | 845  | 84503L    | 846  | 84603L   | CL 207 | 35 | 117 | 99 | 146,5 | 11 | 48 | 18,5 | 16,5 | 41,5 | 69 |
|             | 845  | 84504L    | 846  | 84604L   | CL 208 | 40 | 117 | 99 | 146,5 | 11 | 53 | 18,5 | 16,5 | 43   | 69 |

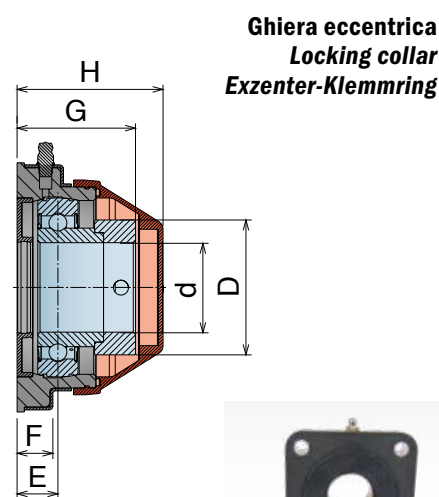
**Inserto con ghiera eccentrica, guarnizioni, versione aperta e chiusa**

*Insert with locking collar, sealed, open and close version/Flanschlager mit Exzenter-Klemmring, abgedichtet, offene und geschlossene Version*

| Chrome Steel | Part | Art-close | Part | Art-open | Series | d  | l   | A  | B     | C  | D    | E    | F    | G  | H  |
|--------------|------|-----------|------|----------|--------|----|-----|----|-------|----|------|------|------|----|----|
|              | 847  | 84702     | 848  | 84802    | CL 206 | 30 | 117 | 99 | 146,5 | 11 | 45   | 18,5 | 16,5 | 46 | 69 |
|              | 847  | 84703     | 848  | 84803    | CL 207 | 35 | 117 | 99 | 146,5 | 11 | 56   | 18,5 | 16,5 | 49 | 69 |
|              | 847  | 84704     | 848  | 84804    | CL 208 | 40 | 117 | 99 | 146,5 | 11 | 60,3 | 18,5 | 16,5 | 53 | 69 |



Standard



Ghiera eccentrica  
Locking collar  
Exzenter-Klemmring



SOLID HOUSING

Inserto standard, con guarnizioni, versione aperta e chiusa

Standard insert, sealed, open and close version/Standard-Flanschlager, abgedichtet, offene und geschlossene Version

| Chrome Steel | Part | Art-close | Part | Art-open | Series | d  | I    | A   | C  | D  | E    | F    | G    | H  |
|--------------|------|-----------|------|----------|--------|----|------|-----|----|----|------|------|------|----|
|              | 849  | 84902     | 850  | 85002    | CS 206 | 30 | 82,5 | 111 | 11 | 40 | 18,5 | 16,5 | 40   | 69 |
|              | 849  | 84903     | 850  | 85003    | CS 207 | 35 | 82,5 | 111 | 11 | 48 | 18,5 | 16,5 | 41,5 | 69 |
|              | 849  | 84904     | 850  | 85004    | CS 208 | 40 | 82,5 | 111 | 11 | 53 | 18,5 | 16,5 | 43   | 69 |

Inserto standard, con guarnizioni, versione aperta e chiusa

Standard insert, sealed, open and close version/Standard-Flanschlager, abgedichtet, offene und geschlossene Version

| Stainless Steel | Part | Art-close | Part | Art-open | Series | d  | I    | A   | C  | D  | E    | F    | G    | H  |
|-----------------|------|-----------|------|----------|--------|----|------|-----|----|----|------|------|------|----|
|                 | 849  | 84902SS   | 850  | 85002SS  | CS 206 | 30 | 82,5 | 111 | 11 | 40 | 18,5 | 16,5 | 40   | 69 |
|                 | 849  | 84903SS   | 850  | 85003SS  | CS 207 | 35 | 82,5 | 111 | 11 | 48 | 18,5 | 16,5 | 41,5 | 69 |
|                 | 849  | 84904SS   | 850  | 85004SS  | CS 208 | 40 | 82,5 | 111 | 11 | 53 | 18,5 | 16,5 | 43   | 69 |

Inserto "Long life", con guarnizioni, versione aperta e chiusa

"Long life" insert, sealed, open and close version/"Long life"-Flanschlager, abgedichtet, offene und geschlossene Version

| "Long life" | Part | Art-close | Part | Art-open | Series | d  | I    | A   | C  | D  | E    | F    | G    | H  |
|-------------|------|-----------|------|----------|--------|----|------|-----|----|----|------|------|------|----|
|             | 849  | 84902L    | 850  | 85002L   | CS 206 | 30 | 82,5 | 111 | 11 | 40 | 18,5 | 16,5 | 40   | 69 |
|             | 849  | 84903L    | 850  | 85003L   | CS 207 | 35 | 82,5 | 111 | 11 | 48 | 18,5 | 16,5 | 41,5 | 69 |
|             | 849  | 84904L    | 850  | 85004L   | CS 208 | 40 | 82,5 | 111 | 11 | 53 | 18,5 | 16,5 | 43   | 69 |

Inserto con ghiera eccentrica, guarnizioni, versione aperta e chiusa

Insert with locking collar, sealed, open and close version/Flanschlager mit Exzenter-Klemmring, abgedichtet, offene und geschlossene Version

| Chrome Steel | Part | Art-close | Part | Art-open | Series | d  | I    | A   | C  | D    | E    | F    | G  | H  |
|--------------|------|-----------|------|----------|--------|----|------|-----|----|------|------|------|----|----|
|              | 851  | 85102     | 852  | 85202    | CS 206 | 30 | 82,5 | 111 | 11 | 45   | 18,5 | 16,5 | 46 | 69 |
|              | 851  | 85103     | 852  | 85203    | CS 207 | 35 | 82,5 | 111 | 11 | 56   | 18,5 | 16,5 | 49 | 69 |
|              | 851  | 85104     | 852  | 85204    | CS 208 | 40 | 82,5 | 111 | 11 | 60,3 | 18,5 | 16,5 | 53 | 69 |

## SUCF/SUCFL/SUCFK

Delivery: **Easy** Standard



### **Cuscinetti Acciaio Inox**

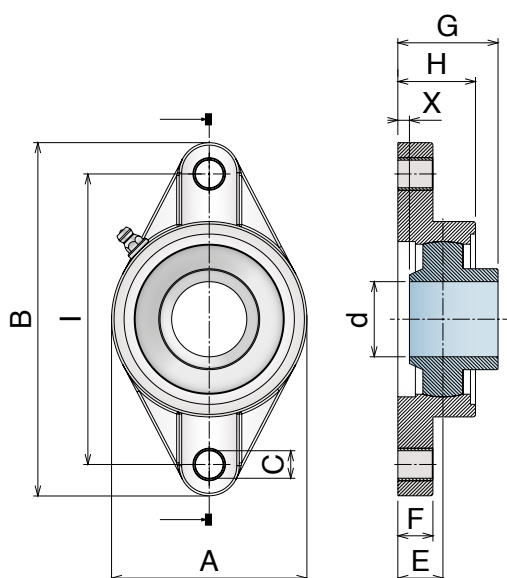
- Sede in Acciaio Inox, ottimale per l'utilizzo nei processi alimentari e farmaceutici.
- I cuscinetti sono realizzati in Acciaio inox, è possibile regolarli di 2.5° all'interno della flangia.
- Ingrassatore realizzato in Acciaio inox.
- Rondella per ingrassatore realizzata in Polietilene.

### **Bearing units in Stainless steel**

- Housing in stainless steel, best choice for processes in food or pharmaceutical industries.
- Ball bearings are made in stainless steel, they allow a misalignment between shaft and housing of max. 2.5°.
- Grease nipple made in stainless steel.
- Washer for grease nipple in PE.

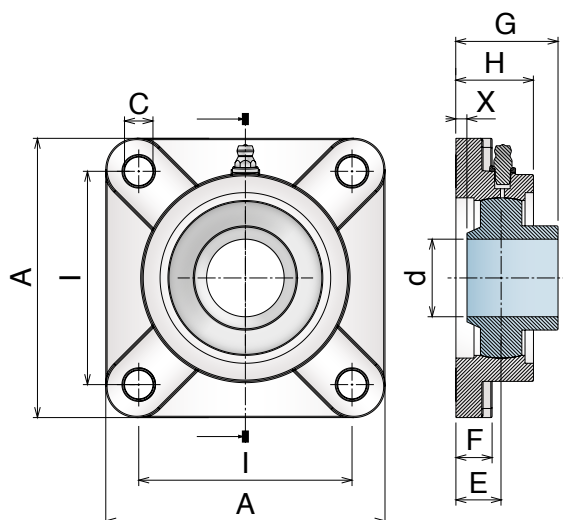
### **Flanschlager aus Edelstahl**

- Lagergehäuse aus Edelstahl, optimal für den Einsatz in der Lebensmittel- oder Pharmaindustrie.
- Lagereinsatz aus Edelstahl, alle Lager gleichen einen Fluchtungsfehler von bis zu 2,5° selbständig aus.
- Schmiernippel aus Edelstahl.
- Unterlegscheibe für Schmiernippel aus PE.



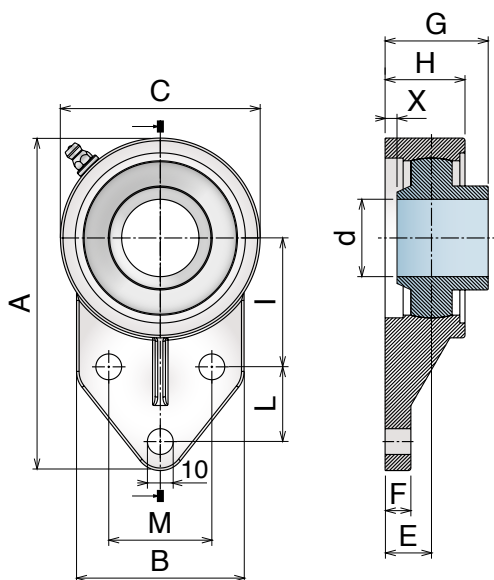
## SUCFL Inserto standard Standard insert / Standard-Flanschlager

| Part | Art.-Nr. | Series    | d  | I   | A   | B   | C  | E  | F    | G    | H    | X   |
|------|----------|-----------|----|-----|-----|-----|----|----|------|------|------|-----|
| 817  | 81700    | SUCFL 204 | 20 | 90  | 60  | 113 | 12 | 15 | 11   | 33,3 | 25,5 | 2,3 |
| 817  | 81701    | SUCFL 205 | 25 | 99  | 68  | 130 | 16 | 16 | 14,5 | 35,8 | 27   | 1,7 |
| 817  | 81702    | SUCFL 206 | 30 | 117 | 80  | 148 | 16 | 18 | 14,5 | 40,2 | 31   | 2,1 |
| 817  | 81703    | SUCFL 207 | 35 | 130 | 90  | 161 | 16 | 19 | 14,5 | 44,4 | 34   | 1,5 |
| 817  | 81704    | SUCFL 208 | 40 | 144 | 100 | 175 | 16 | 21 | 15   | 51,2 | 36   | 2   |



## SUCF Inserto standard Standard insert / Standard-Flanschlager

| Part | Art.-Nr. | Series   | d  | I   | A   | C  | E  | F    | G    | H    | X   |
|------|----------|----------|----|-----|-----|----|----|------|------|------|-----|
| 819  | 81900    | SUCF 204 | 20 | 64  | 86  | 12 | 15 | 12   | 33,3 | 25,5 | 2,3 |
| 819  | 81901    | SUCF 205 | 25 | 70  | 95  | 12 | 16 | 14   | 35,8 | 27   | 1,7 |
| 819  | 81902    | SUCF 206 | 30 | 83  | 108 | 12 | 18 | 14   | 40,2 | 31   | 2,1 |
| 819  | 81903    | SUCF 207 | 35 | 92  | 117 | 14 | 19 | 15,5 | 44,4 | 34   | 1,5 |
| 819  | 81904    | SUCF 208 | 40 | 102 | 130 | 16 | 21 | 15,5 | 51,2 | 36   | 2   |



## SUCFK Inserto standard Standard insert / Standard-Flanschlager

| Part | Art.-Nr. | Series    | d  | A   | I  | L  | M  | B  | C   | E  | F  | G    | H    | X   |
|------|----------|-----------|----|-----|----|----|----|----|-----|----|----|------|------|-----|
| 821  | 82100    | SUCFK 204 | 20 | 110 | 42 | 27 | 32 | 52 | 62  | 15 | 13 | 33,3 | 25,5 | 2,3 |
| 821  | 82101    | SUCFK 205 | 25 | 116 | 45 | 27 | 34 | 56 | 68  | 16 | 13 | 35,7 | 27   | 1,7 |
| 821  | 82102    | SUCFK 206 | 30 | 130 | 50 | 29 | 40 | 65 | 78  | 18 | 13 | 40,2 | 31   | 2,1 |
| 821  | 82103    | SUCFK 207 | 35 | 144 | 55 | 32 | 46 | 70 | 90  | 19 | 15 | 44,4 | 34   | 1,5 |
| 821  | 82104    | SUCFK 208 | 40 | 164 | 60 | 41 | 50 | 78 | 100 | 21 | 16 | 51,2 | 36   | 2   |



## HYGIENIC Series

Delivery: **Easy** **Standard**



### Cuscinetti - Bianchi/blu

- Sede in Poliammide.
- I cuscinetti sono realizzati in Acciaio Inox, è possibile regolarli di 2.5° all'interno della flangia.
- L'ingrassatore viene realizzato in Acciaio Inox.
- Distanziali realizzati in Acciaio Inox.
- Rondella per ingrassatore realizzata in Polietilene.

### Bearing units - White/blue

- Housing in reinforced Polyamide.
- Ball bearings are made in stainless steel, they allow a misalignment between shaft and housing of max. 2.5°.
- Grease nipple made in stainless steel.
- Spacers in stainless steel to reinforce fixing holes.
- Washer for grease nipple in PE.

### Flanschlager - Weiss/blauen

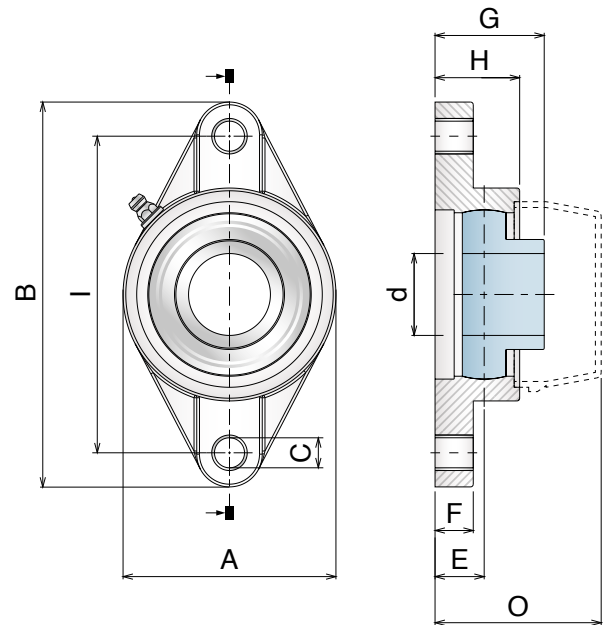
- Lagergehäuse gefertigt aus verstärktem Polyamid.
- Lagereinsatz aus Edelstahl, alle Lager gleichen einen Fluchtungsfehler von bis zu 2,5° selbständig aus.
- Schmiernippel aus Edelstahl.
- Distanzstücke aus Edelstahl und verstärken die Befestigungsbohrungen.
- Unterlegscheibe für Schmiernippel aus Edelstahl.

## NEW FL HYGIENIC



#### Main features:

- Housing in reinforced Polyamide.
- Ball bearings in stainless steel, they allow a misalignment between shaft and housing of max 2.5°.
- Stainless steel mounting hole spacers to reinforce fixing holes.
- Stainless steel grease nipple.



### FL Bearing support - Stainless steel insert

| Color and Article-Nr. |              | Series          | d           | I  | A    | B   | C     | E  | F    | G    | H    | O    |      |
|-----------------------|--------------|-----------------|-------------|----|------|-----|-------|----|------|------|------|------|------|
| ○                     | <b>81300</b> | ● <b>81300B</b> | FL 204      | 20 | 90   | 64  | 113   | 11 | 15,4 | 11,4 | 33,7 | 23,5 | 46,5 |
| ○                     | <b>81301</b> | ● <b>81301B</b> | FL 205      | 25 | 99   | 70  | 131   | 11 | 17   | 13,5 | 36,7 | 29,5 | 51   |
| ○                     | <b>81305</b> | ● <b>81305B</b> | FL 206/90,5 | 30 | 90,5 | 84  | 112,5 | 11 | 11,5 | 20,5 | 33,5 | 23,3 | 50   |
| ○                     | <b>81302</b> | ● <b>81302B</b> | FL 206      | 30 | 117  | 80  | 148   | 11 | 19   | 13,3 | 41,2 | 30,9 | 58   |
| ○                     | <b>81303</b> | ● <b>81303B</b> | FL 207      | 35 | 130  | 90  | 164   | 13 | 18   | 16,1 | 43,7 | 33   | 61   |
| ○                     | <b>81306</b> | ● <b>81306B</b> | FL 208/119  | 40 | 119  | 99  | 150   | 14 | 13,5 | 24   | 38,5 | 26,8 | 60,5 |
| ○                     | <b>81304</b> | ● <b>81304B</b> | FL 208      | 40 | 144  | 100 | 176   | 14 | 21,5 | 20   | 51,7 | 37,5 | 71   |

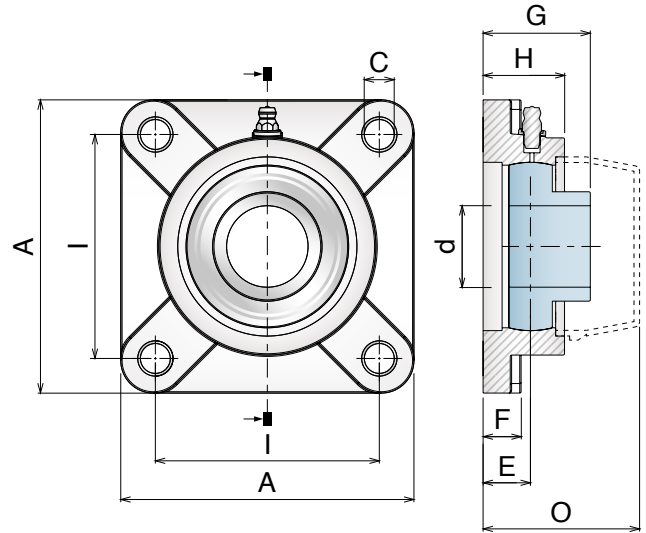
Cap needs to be order separately | More accessories available at Pag 556

## NEW F HYGIENIC



### Main features:

- Housing in reinforced Polyamide.
- Stainless steel ball bearings to allow a misalignment between shaft and housing of max 2.5°.
- Stainless steel mounting hole spacers to reinforce fixing holes.
- Stainless steel grease nipple.



### F Bearing support - Stainless steel insert

| Color and Article-Nr. | Series | d  | I    | A   | C  | E    | F    | G    | H    | O    |
|-----------------------|--------|----|------|-----|----|------|------|------|------|------|
| ○ 81400 ● 81400B      | F 204  | 20 | 63,5 | 86  | 11 | 18   | 13,4 | 34,8 | 25,3 | 48,5 |
| ○ 81401 ● 81401B      | F 205  | 25 | 70   | 95  | 11 | 17   | 14   | 35,8 | 28,5 | 51   |
| ○ 81402 ● 81402B      | F 206  | 30 | 83   | 107 | 11 | 19,2 | 14,3 | 40,8 | 31,5 | 59   |
| ○ 81403 ● 81403B      | F 207  | 35 | 92   | 118 | 13 | 21,5 | 15,5 | 42,8 | 34,4 | 62,5 |
| ○ 81404 ● 81404B      | F 208  | 40 | 102  | 130 | 14 | 23   | 17   | 46,2 | 33,4 | 71   |

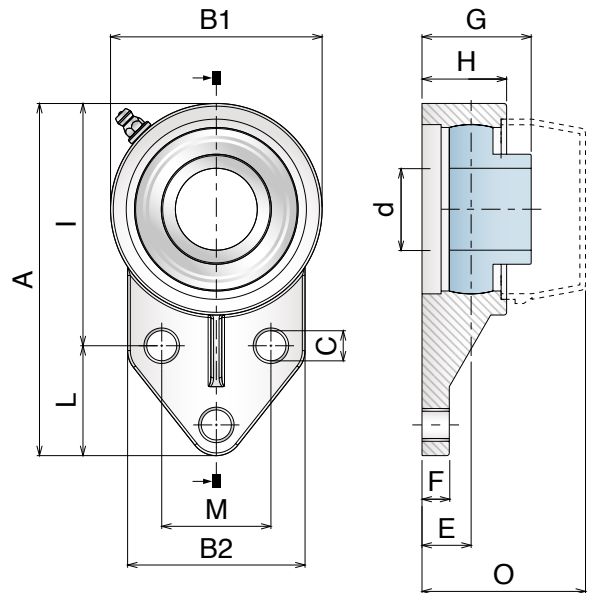
Cap needs to be order separately | More accessories available at Pag 556

## NEW FB HYGIENIC



### Main features:

- Housing in reinforced Polyamide.
- Ball bearings in stainless steel, they allow a misalignment between shaft and housing of max 2.5°.
- Stainless steel mounting hole spacers to reinforce fixing holes.
- Stainless steel grease nipple.



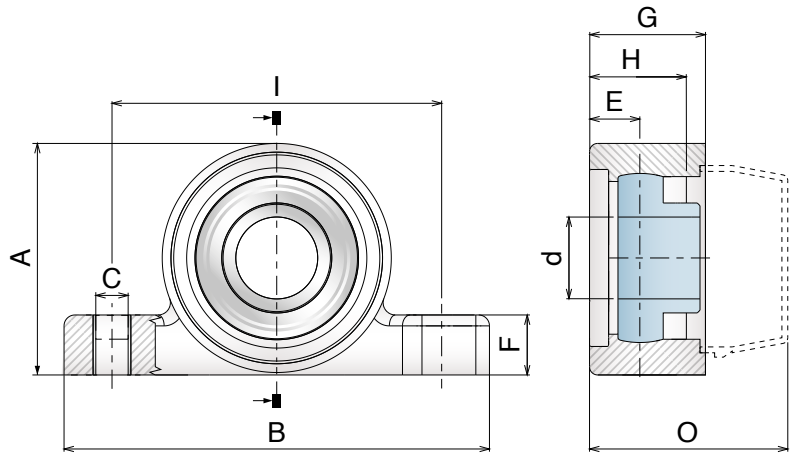
### FB Bearing support - Stainless steel insert

| Color and Article-Nr. | Series | d  | A     | I    | L    | M    | B1  | B2 | E    | F  | G    | H    | O    |
|-----------------------|--------|----|-------|------|------|------|-----|----|------|----|------|------|------|
| ○ 81500 ● 81500B      | FB 204 | 20 | 108,5 | 42,9 | 22,2 | 38,1 | 62  | 62 | 15,4 | 12 | 33,2 | 23,4 | 46,5 |
| ○ 81501 ● 81501B      | FB 205 | 25 | 120,6 | 46   | 28,6 | 41,3 | 68  | 64 | 21   | 12 | 41   | 34,3 | 55   |
| ○ 81502 ● 81502B      | FB 206 | 30 | 140   | 52,4 | 31,8 | 47,6 | 83  | 75 | 19   | 14 | 41   | 32   | 59   |
| ○ 81503 ● 81503B      | FB 207 | 35 | 157   | 60,3 | 31,8 | 50,8 | 95  | 89 | 21,4 | 16 | 43,9 | 37   | 63,5 |
| ○ 81504 ● 81504B      | FB 208 | 40 | 164   | 60,3 | 41,3 | 50   | 100 | 78 | 22   | 18 | 44,5 | 32   | 68,5 |

Cap needs to be order separately | More accessories available at Pag 556

Delivery: **Easy** Standard

## NEW UCP HYGIENIC



### Main features:

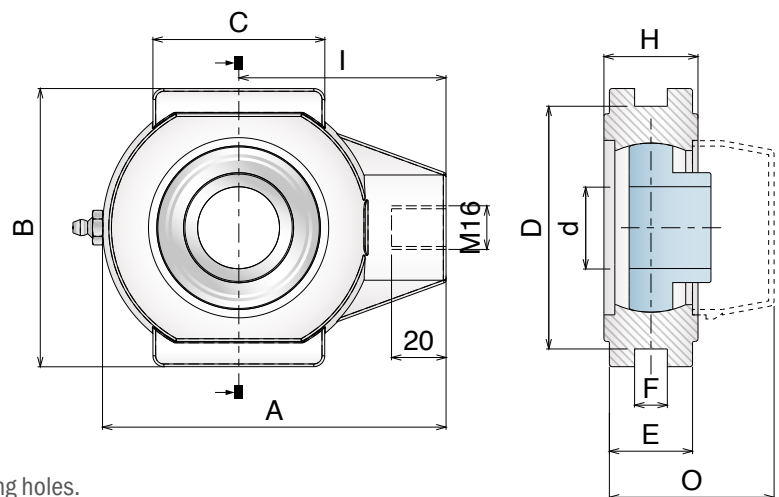
- Housing in reinforced Polyamide.
- Stainless steel ball bearings to allow a misalignment between shaft and housing of max 2.5°.
- Stainless steel mounting hole spacers to reinforce fixing holes.
- Stainless steel grease nipple.

### UCP Bearing support - Stainless steel insert

| Color and Article-Nr. | Series  | d  | I   | A    | B   | C       | E    | F  | G  | H    | O    |
|-----------------------|---------|----|-----|------|-----|---------|------|----|----|------|------|
| ○ 81800 ● 81800B      | UCP 204 | 20 | 95  | 65,5 | 127 | 14 (11) | 15   | 16 | 38 | 23   | 50   |
| ○ 81801 ● 81801B      | UCP 205 | 25 | 105 | 71,5 | 140 | 14 (11) | 16   | 15 | 38 | 29   | 54,5 |
| ○ 81802 ● 81802B      | UCP 206 | 30 | 119 | 83,5 | 163 | 18 (14) | 17,5 | 18 | 46 | 30,5 | 65   |
| ○ 81803 ● 81803B      | UCP 207 | 35 | 127 | 94,5 | 168 | 18 (14) | 17,5 | 18 | 48 | 31,5 | 67   |
| ○ 81804 ● 81804B      | UCP 208 | 40 | 137 | 99   | 184 | 18 (14) | 15,5 | 20 | 54 | 30   | 76   |

Cap needs to be order separately | More accessories available at Pag 556

## NEW UCT HYGIENIC



### Main features:

- Housing in reinforced Polyamide.
- Ball bearings in stainless steel, they allow a misalignment between shaft and housing of max 2.5°.
- Stainless steel mounting hole spacers to reinforce fixing holes.
- Stainless steel grease nipple.

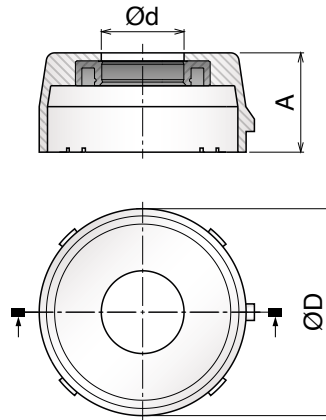
### UCT Bearing support - Stainless steel insert

| Color and Article-Nr. | Series  | d  | I  | A   | B   | C  | D   | E    | F  | H    | O    |
|-----------------------|---------|----|----|-----|-----|----|-----|------|----|------|------|
| ○ 86000 ● 86000B      | UCT 204 | 20 | 64 | 99  | 88  | 47 | 76  | 23,5 | 12 | 27,5 | 46,5 |
| ○ 86001 ● 86001B      | UCT 205 | 25 | 64 | 99  | 88  | 47 | 76  | 23,5 | 12 | 27,5 | 46,5 |
| ○ 86002 ● 86002B      | UCT 206 | 30 | 76 | 125 | 102 | 63 | 90  | 30,5 | 12 | 34,5 | 60   |
| ○ 86003 ● 86003B      | UCT 207 | 35 | 76 | 125 | 102 | 63 | 90  | 30,5 | 12 | 34,5 | 62   |
| ○ 86004 ● 86004B      | UCT 208 | 40 | 85 | 140 | 114 | 80 | 102 | 33,5 | 16 | 38,5 | 70   |

Cap needs to be order separately | More accessories available at Pag 556

**NEW 898** Coperchio di sicurezza aperto  
Open clip-on safety cap / Offene Schutzkappe

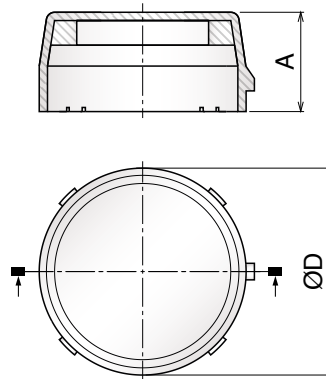
Delivery: **Easy** **Standard**



|   | Color/Article-Nr. | ØD | Ød | A  |
|---|-------------------|----|----|----|
| ○ | 89851             | 50 | 20 | 23 |
| ● | 89851B            | 50 | 20 | 23 |
| ○ | 89852             | 55 | 25 | 25 |
| ● | 89852B            | 55 | 25 | 25 |
| ○ | 89853             | 64 | 30 | 30 |
| ● | 89853B            | 64 | 30 | 30 |
| ○ | 89854             | 73 | 35 | 32 |
| ● | 89854B            | 73 | 35 | 32 |
| ○ | 89855             | 84 | 40 | 38 |
| ● | 89855B            | 84 | 40 | 38 |

**NEW 898** Coperchio di sicurezza chiuso  
Closed clip-on safety cap / Geschlossene Schutzkappe

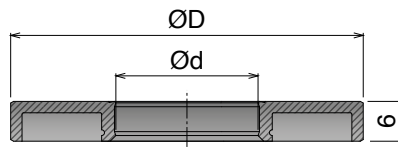
Delivery: **Easy** **Standard**



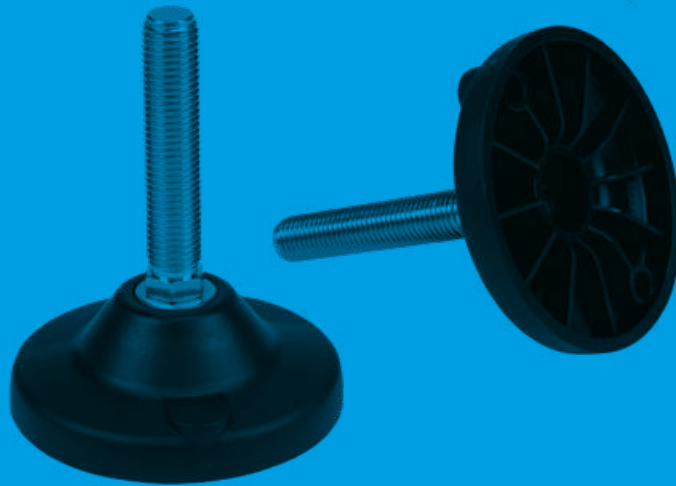
|   | Color/Article-Nr. | ØD | A  |
|---|-------------------|----|----|
| ○ | 89801             | 50 | 23 |
| ● | 89801B            | 50 | 23 |
| ○ | 89802             | 55 | 25 |
| ● | 89802B            | 55 | 25 |
| ○ | 89803             | 64 | 30 |
| ● | 89803B            | 64 | 30 |
| ○ | 89804             | 73 | 32 |
| ● | 89804B            | 73 | 32 |
| ○ | 89805             | 84 | 38 |
| ● | 89805B            | 84 | 38 |

**NEW 897** Anello di tenuta  
Sealing ring / Dichtringe

Delivery: **Easy** **Standard**



|   | Color/Article-Nr. | ØD | Ød |
|---|-------------------|----|----|
| ○ | 89701             | 52 | 20 |
| ● | 89701B            | 52 | 20 |
| ○ | 89702             | 62 | 25 |
| ● | 89702B            | 62 | 25 |
| ○ | 89703             | 72 | 30 |
| ● | 89703B            | 72 | 30 |
| ○ | 89704             | 82 | 35 |
| ● | 89704B            | 82 | 35 |
| ○ | 89705             | 88 | 40 |
| ● | 89705B            | 88 | 40 |



### Basic Series

Ø40-Ø50-Ø60-Ø80-Ø100



Pag 558

### Articulated Series

Ø110 Ø123



Pag 562

### Muscle Series

Ø123



Pag 566

### P400R Series

Ø80-Ø100-Ø120



Pag 569

### STEEL Series

Ø123.5



Pag 573

### S400 Series

SPLIT  
HEAVY  
HEAVY-SPLIT



Pag 575

### S400B Series

SPLIT  
HEAVY  
HEAVY-SPLIT



Pag 599

### C500 Series

SPLIT  
HEAVY  
HEAVY-SPLIT



Pag 626

### Accessories

903



Pag 643

903



Pag 643

903



Pag 644

998



Pag 644

996



Pag 644

## Basic Series

Delivery: **Easy** **Standard**

### Main features:

- Molded baseplate in polyamide
- Spindle in austenitic stainless steel or zinc plated steel

### Other versions available:

- Double floor fixation
- Base and spindle made in polyamide and zinc plated insert.



The **BASIC series**, with plastic baseplate and fully threaded spindle is the standard choice for the industrial environments.

The spindle can be made with flat or hexagonal key wrench and is available in two different materials, zinc plated steel or stainless steel.

Maximum compressive strength (static load) as in the table, maximum tensile strength (static load) 500 N.

## Accessori / Accessories / Zubehör



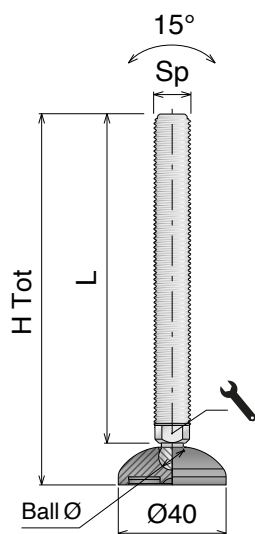
**Gomma anti-scivolo**  
**Anti-slip pad/Gummiplatte**

| Art-Nr. | For base |
|---------|----------|
| 99601   | Ø40      |
| 99602   | Ø50      |
| 99603   | Ø60      |
| 99604   | Ø80      |
| 99605   | Ø100     |



**Dadi**  
**Nuts/Sechskantmuttern**

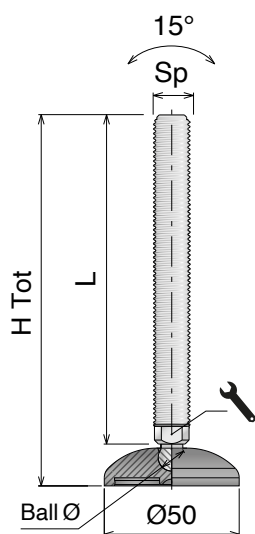
| Art-Nr. | Sp  | Material          | Box    |
|---------|-----|-------------------|--------|
| 99801   | M10 | Stainless steel   | 50 pcs |
| 99802   | M12 | Stainless steel   | 50 pcs |
| 99804   | M16 | Stainless steel   | 10 pcs |
| 99805   | M20 | Stainless steel   | 10 pcs |
| Art-Nr. | Sp  | Material          | Box    |
| 99801Z  | M10 | Zinc plated steel | 50 pcs |
| 99802Z  | M12 | Zinc plated steel | 50 pcs |
| 99804Z  | M16 | Zinc plated steel | 10 pcs |
| 99805Z  | M20 | Zinc plated steel | 10 pcs |



## Ø40

DIAMETER (mm)

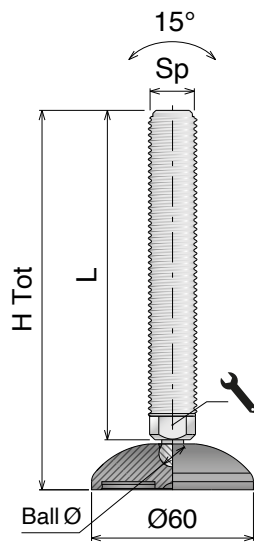
| Art-Nr. | Art-Nr. | Sp  | H Tot (mm) | L (mm) | Ball Ø (mm) | Wrench (mm) |    | Load (N) |
|---------|---------|-----|------------|--------|-------------|-------------|----|----------|
| SS      | FeZn    |     |            |        |             | 7           | 9  |          |
| 90101   | 90101Z  | M10 | 50         | 35     | 6.85        | 7           | -  | 10.000   |
| 90102   | 90102Z  |     | 100        | 85     | 6.85        | 7           | -  |          |
| 90103   | 90103Z  |     | 150        | 135    | 6.85        | 7           | -  |          |
| 90201   | 90201Z  | M12 | 75         | 60     | 10          | 9           | -  | 12.000   |
| 90202   | 90202Z  |     | 100        | 85     | 10          | 9           | -  |          |
| 90203   | 90203Z  |     | 150        | 135    | 10          | 9           | -  |          |
| 90301   | 90301Z  | M16 | 75         | 60     | 10          | 13          | -  | 15.000   |
| 90302   | 90302Z  |     | 100        | 85     | 10          | 13          | -  |          |
| 90303   | 90303Z  |     | 150        | 135    | 10          | 13          | -  |          |
| 90301H  | 90301ZH |     | 75         | 60     | 10          | -           | 16 |          |
| 90302H  | 90302ZH |     | 100        | 85     | 10          | -           | 16 |          |
| 90303H  | 90303ZH |     | 150        | 135    | 10          | -           | 16 |          |



## Ø50

DIAMETER (mm)

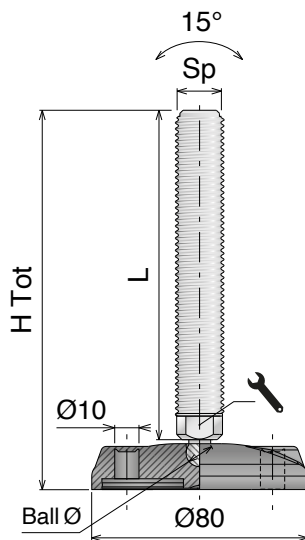
| Art-Nr. | Art-Nr. | Sp  | H Tot (mm) | L (mm) | Ball Ø (mm) | Wrench (mm) |    | Load (N) |
|---------|---------|-----|------------|--------|-------------|-------------|----|----------|
| SS      | FeZn    |     |            |        |             | 7           | 9  |          |
| 90401   | 90401Z  | M10 | 50         | 35     | 6.85        | 7           | -  | 10.000   |
| 90402   | 90402Z  |     | 100        | 85     | 6.85        | 7           | -  |          |
| 90403   | 90403Z  |     | 150        | 135    | 6.85        | 7           | -  |          |
| 90501   | 90501Z  | M12 | 75         | 60     | 10          | 9           | -  | 12.000   |
| 90502   | 90502Z  |     | 100        | 85     | 10          | 9           | -  |          |
| 90503   | 90503Z  |     | 150        | 135    | 10          | 9           | -  |          |
| 90601   | 90601Z  | M16 | 75         | 60     | 10          | 13          | -  | 15.000   |
| 90602   | 90602Z  |     | 100        | 85     | 10          | 13          | -  |          |
| 90603   | 90603Z  |     | 150        | 135    | 10          | 13          | -  |          |
| 90601H  | 90601ZH |     | 75         | 60     | 10          | -           | 16 |          |
| 90602H  | 90602ZH |     | 100        | 85     | 10          | -           | 16 |          |
| 90603H  | 90603ZH |     | 150        | 135    | 10          | -           | 16 |          |



## Ø60

DIAMETER (mm)

| Art-Nr. | Art-Nr. | Sp  | H Tot (mm) | L (mm) | Ball Ø (mm) | Wrench (mm) |      | Load (N) |
|---------|---------|-----|------------|--------|-------------|-------------|------|----------|
| SS      | FeZn    |     |            |        |             | Hex         | Flat |          |
| 90701   | 90701Z  | M12 | 80         | 60     | 10          | 9           | -    | 12.000   |
| 90702   | 90702Z  |     | 105        | 85     | 10          | 9           | -    |          |
| 90703   | 90703Z  |     | 155        | 135    | 10          | 9           | -    |          |
| 90801   | 90801Z  | M16 | 105        | 85     | 10          | 13          | -    | 15.000   |
| 90802   | 90802Z  |     | 155        | 135    | 10          | 13          | -    |          |
| 90803   | 90803Z  |     | 205        | 185    | 10          | 13          | -    |          |
| 90801H  | 90801ZH |     | 105        | 85     | 10          | -           | 16   |          |
| 90802H  | 90802ZH |     | 155        | 135    | 10          | -           | 16   |          |
| 90803H  | 90803ZH |     | 205        | 185    | 10          | -           | 16   |          |
| 90901   | 90901Z  | M20 | 105        | 85     | 14,5        | 16          | -    | 16.000   |
| 90902   | 90902Z  |     | 155        | 135    | 14,5        | 16          | -    |          |
| 90903   | 90903Z  |     | 205        | 185    | 14,5        | 16          | -    |          |
| 90901H  | 90901ZH |     | 105        | 85     | 14,5        | -           | 20   |          |
| 90902H  | 90902ZH |     | 155        | 135    | 14,5        | -           | 20   |          |
| 90903H  | 90903ZH |     | 205        | 185    | 14,5        | -           | 20   |          |



## Ø80

DIAMETER (mm)



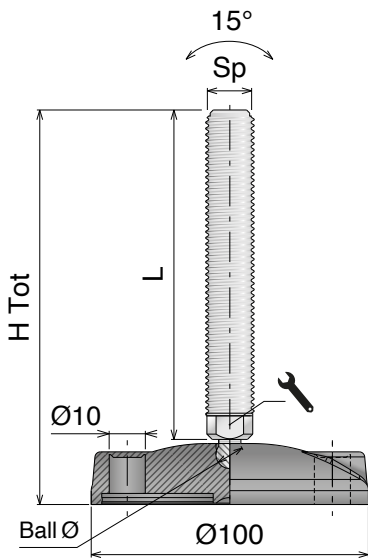
| Art-Nr. | Art-Nr. | Sp  | H Tot (mm) | L (mm) | Ball Ø (mm) | Wrench (mm) |      | Load (N) |
|---------|---------|-----|------------|--------|-------------|-------------|------|----------|
| SS      | FeZn    |     |            |        |             | Hex         | Flat |          |
| 95301   | 95301Z  | M12 | 80         | 60     | 10          | 9           | -    | 12.000   |
| 95302   | 95302Z  |     | 105        | 85     | 10          | 9           | -    |          |
| 95303   | 95303Z  |     | 155        | 135    | 10          | 9           | -    |          |
| 95401   | 95401Z  | M16 | 105        | 85     | 10          | 13          | -    | 15.000   |
| 95402   | 95402Z  |     | 155        | 135    | 10          | 13          | -    |          |
| 95403   | 95403Z  |     | 205        | 185    | 10          | 13          | -    |          |
| 95401H  | 95401ZH |     | 105        | 85     | 10          | -           | 16   |          |
| 95402H  | 95402ZH |     | 155        | 135    | 10          | -           | 16   |          |
| 95403H  | 95403ZH |     | 205        | 185    | 10          | -           | 16   |          |
| 95501   | 95501Z  | M20 | 105        | 85     | 14,5        | 16          | -    | 18.000   |
| 95502   | 95502Z  |     | 155        | 135    | 14,5        | 16          | -    |          |
| 95503   | 95503Z  |     | 205        | 185    | 14,5        | 16          | -    |          |
| 95501H  | 95501ZH |     | 105        | 85     | 14,5        | -           | 20   |          |
| 95502H  | 95502ZH |     | 155        | 135    | 14,5        | -           | 20   |          |
| 95503H  | 95503ZH |     | 205        | 185    | 14,5        | -           | 20   |          |



Materiale / Material / Materialien:

SS: Acciaio inox / Stainless steel / Edelstahl

FeZn: Ferro zincato / Zinc plated steel / Stahl Verzinkt

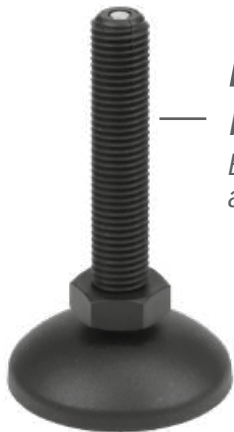


## Ø 100

DIAMETER (mm)

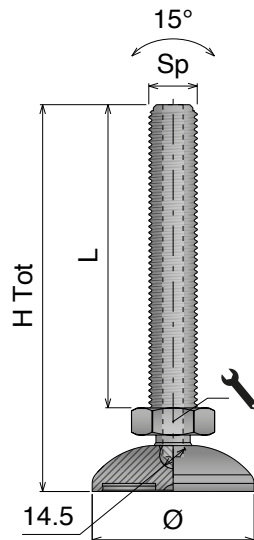


| Art-Nr. | Art-Nr. | Sp  | H Tot (mm) | L (mm) | Ball Ø (mm) | Wrench (mm) |    | Load (N) |
|---------|---------|-----|------------|--------|-------------|-------------|----|----------|
| SS      | FeZn    |     |            |        |             | 13          | 16 |          |
| 95601   | 95601Z  | M16 | 108        | 85     | 10          | 13          | -  | 15.000   |
| 95602   | 95602Z  |     | 158        | 135    | 10          | 13          | -  |          |
| 95603   | 95603Z  |     | 208        | 185    | 10          | 13          | -  |          |
| 95601H  | 95601ZH |     | 108        | 85     | 10          | -           | 16 |          |
| 95602H  | 95602ZH |     | 158        | 135    | 10          | -           | 16 |          |
| 95603H  | 95603ZH |     | 208        | 185    | 10          | -           | 16 |          |
| 95701   | 95701Z  | M20 | 108        | 85     | 14,5        | 16          | -  | 18.000   |
| 95702   | 95702Z  |     | 158        | 135    | 14,5        | 16          | -  |          |
| 95703   | 95703Z  |     | 208        | 185    | 14,5        | 16          | -  |          |
| 95701H  | 95701ZH |     | 108        | 85     | 14,5        | -           | 20 |          |
| 95702H  | 95702ZH |     | 158        | 135    | 14,5        | -           | 20 |          |
| 95703H  | 95703ZH |     | 208        | 185    | 14,5        | -           | 20 |          |



## Basic Series POLYAMIDE VERSION

Base and spindle made in polyamide and zinc plated insert.



## Ø 60

DIAMETER (mm)



| Art-Nr.     | Sp  | H Tot (mm) | L (mm) | Wrench (mm) | Load (N) |
|-------------|-----|------------|--------|-------------|----------|
| FeZn insert |     |            |        | 16          |          |
| 90810PH     | M16 | 105        | 76     | 24          | 12.000   |

## Ø 80

DIAMETER (mm)



FIXING POINT POLYAMIDE

| Art-Nr.     | Sp  | H Tot (mm) | L (mm) | Wrench (mm) | Load (N) |
|-------------|-----|------------|--------|-------------|----------|
| FeZn insert |     |            |        | 16          |          |
| 95410PH     | M16 | 105        | 76     | 24          | 12.000   |

## Ø 100

DIAMETER (mm)



FIXING POINT POLYAMIDE

| Art-Nr.     | Sp  | H Tot (mm) | L (mm) | Wrench (mm) | Load (N) |
|-------------|-----|------------|--------|-------------|----------|
| FeZn insert |     |            |        | 16          |          |
| 95710PH     | M16 | 110        | 76     | 24          | 12.000   |

## Articulated Series

Delivery: **Easy** **Standard**

### Main features:

- Molded baseplate in polyamide
- Spindle in austenitic stainless steel or zinc plated steel

### Other versions available:

- Anti-slip NBR rubber pad
- Double floor fixation
- With PA ball



The **ARTICULATED series**, with plastic baseplate and fully threaded spindle is the standard choice for the industrial environments.

The spindle is made with hexagonal key wrench and available in two different materials, zinc plated steel or stainless steel and the baseplate is available with or without rubber pad.

Maximum compressive strength (static load) as in the table, maximum tensile strength (static load) 500 N.

## Accessori / Accessories / Zubehör



### Gomma anti-scivolo Anti-slip pad/Gummiplatte

| Art-Nr. | For base |
|---------|----------|
| 99607   | Ø110     |
| 99608   | Ø123     |



### Dadi Nuts/Sechskantmuttern

| Art-Nr. | Sp  | Material          | Box    |
|---------|-----|-------------------|--------|
| 99804   | M16 | Stainless steel   | 10 pcs |
| 99805   | M20 | Stainless steel   | 10 pcs |
| 99806   | M24 | Stainless steel   | 5 pcs  |
| Art-Nr. | Sp  | Material          | Box    |
| 99804Z  | M16 | Zinc plated steel | 10 pcs |
| 99805Z  | M20 | Zinc plated steel | 10 pcs |
| 99806Z  | M24 | Zinc plated steel | 5 pcs  |

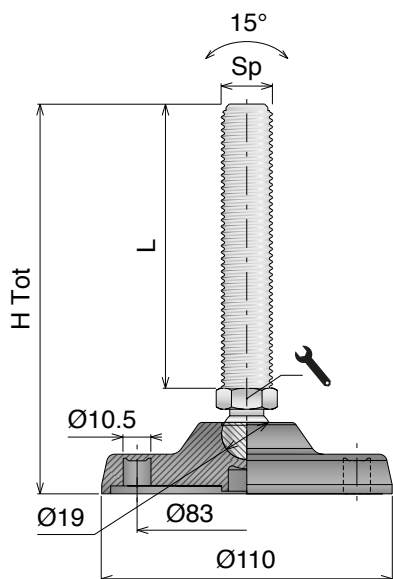
**Materiale / Material / Materialien:**

SS: Acciaio inox / Stainless steel / Edelstahl

FeZn: Ferro zincato / Zinc plated steel / Stahl Verzinkt

# Articulated Series

Piedi di livellamento / Leveling feet / Nivellierfüße



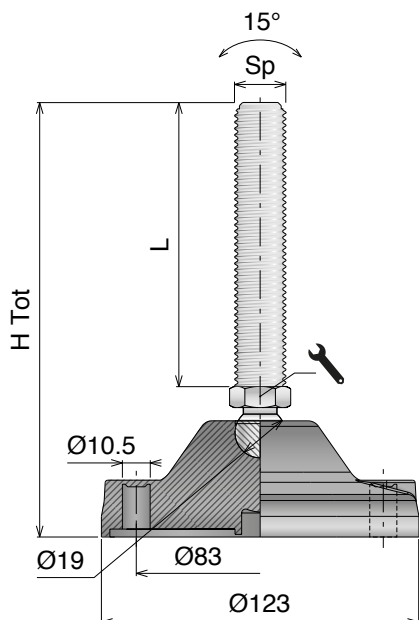
## Ø110

DIAMETER (mm)



FIXING POINT

| Art-Nr. | Art-Nr. | Sp  | H Tot (mm) | L (mm) | Wrench (mm) | Load (N) |
|---------|---------|-----|------------|--------|-------------|----------|
| SS      | FeZn    |     |            |        | 20          |          |
| 94301H  | 94301ZH | M16 | 155        | 115    | 20          | 15.000   |
| 94302H  | 94302ZH |     | 185        | 145    | 20          |          |
| 94303H  | 94303ZH |     | 235        | 195    | 20          |          |
| 94401H  | 94401ZH | M20 | 155        | 115    | 20          | 15.000   |
| 94402H  | 94402ZH |     | 185        | 145    | 20          |          |
| 94403H  | 94403ZH |     | 235        | 195    | 20          |          |
| 94501H  | 94501ZH | M24 | 155        | 115    | 24          | 18.000   |
| 94502H  | 94502ZH |     | 185        | 145    | 24          |          |
| 94503H  | 94503ZH |     | 235        | 195    | 24          |          |



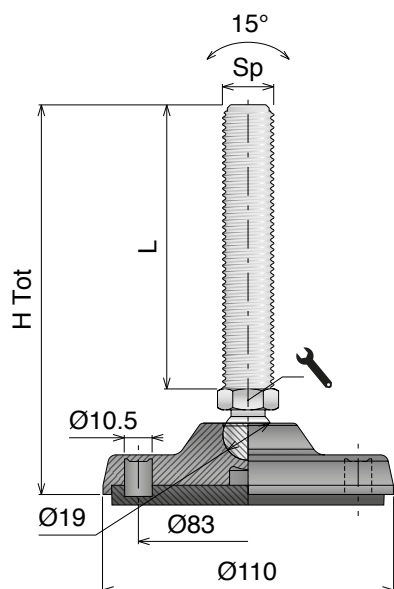
## Ø123

DIAMETER (mm)



FIXING POINT

| Art-Nr. | Art-Nr. | Sp  | H Tot (mm) | L (mm) | Wrench (mm) | Load (N) |
|---------|---------|-----|------------|--------|-------------|----------|
| SS      | FeZn    |     |            |        | 20          |          |
| 94801H  | 94801ZH | M16 | 175        | 115    | 20          | 25.000   |
| 94802H  | 94802ZH |     | 205        | 145    | 20          |          |
| 94803H  | 94803ZH |     | 255        | 195    | 20          |          |
| 94901H  | 94901ZH | M20 | 175        | 115    | 20          | 25.000   |
| 94902H  | 94902ZH |     | 205        | 145    | 20          |          |
| 94903H  | 94903ZH |     | 255        | 195    | 20          |          |
| 95001H  | 95001ZH | M24 | 175        | 115    | 24          | 25.000   |
| 95002H  | 95002ZH |     | 205        | 145    | 24          |          |
| 95003H  | 95003ZH |     | 255        | 195    | 24          |          |



## Ø110

DIAMETER (mm)



FIXING POINT



ANTI-SLIP

| Art-Nr. | Art-Nr. | Sp  | H Tot (mm) | L (mm) | Wrench (mm) | Load (N) |
|---------|---------|-----|------------|--------|-------------|----------|
| SS      | FeZn    |     |            |        | 20          |          |
| 94351H  | 94351ZH | M16 | 155        | 115    | 20          | 15.000   |
| 94352H  | 94352ZH |     | 185        | 145    | 20          |          |
| 94353H  | 94353ZH |     | 235        | 195    | 20          |          |
| 94451H  | 94451ZH | M20 | 155        | 115    | 20          | 15.000   |
| 94452H  | 94452ZH |     | 185        | 145    | 20          |          |
| 94453H  | 94453ZH |     | 235        | 195    | 20          |          |
| 94551H  | 94551ZH | M24 | 155        | 115    | 24          | 18.000   |
| 94552H  | 94552ZH |     | 185        | 145    | 24          |          |
| 94553H  | 94553ZH |     | 235        | 195    | 24          |          |

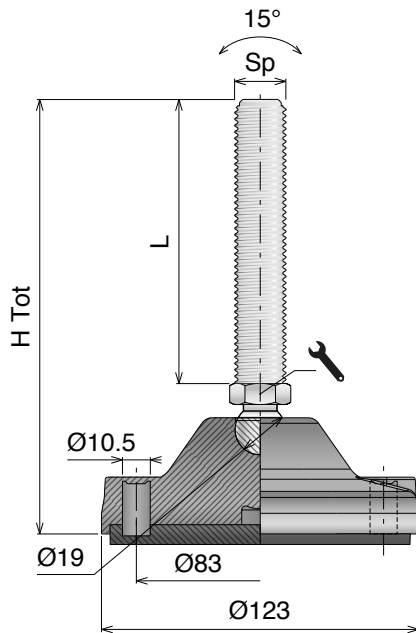
# Articulated Series

Piedi di livellamento / Leveling feet / Nivellierfüße

Materiale / Material / Materialien:

SS: Acciaio inox / Stainless steel / Edelstahl

FeZn: Ferro zincato / Zinc plated steel / Stahl Verzinkt



## Ø123

DIAMETER (mm)

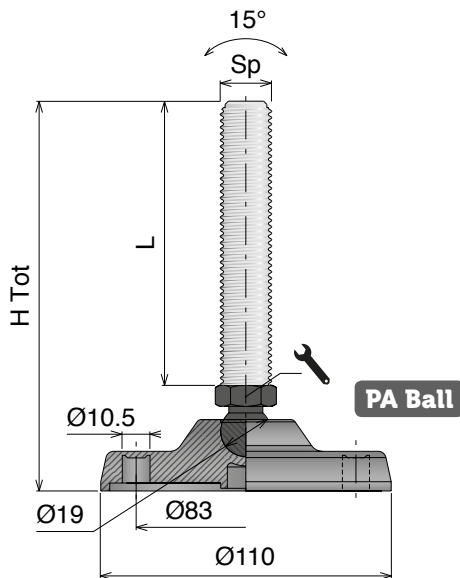


FIXING POINT



ANTI-SLIP

| Art-Nr. | Art-Nr. | Sp  | H Tot (mm) | L (mm) | Wrench (mm) | Load (N) |
|---------|---------|-----|------------|--------|-------------|----------|
| SS      | FeZn    |     |            |        | ⬡           |          |
| 94851H  | 94851ZH | M16 | 175        | 115    | 20          | 25.000   |
| 94852H  | 94852ZH |     | 205        | 145    | 20          |          |
| 94853H  | 94853ZH |     | 255        | 195    | 20          |          |
| 94951H  | 94951ZH | M20 | 175        | 115    | 20          | 25.000   |
| 94952H  | 94952ZH |     | 205        | 145    | 20          |          |
| 94953H  | 94953ZH |     | 255        | 195    | 20          |          |
| 95051H  | 95051ZH | M24 | 175        | 115    | 24          | 25.000   |
| 95052H  | 95052ZH |     | 205        | 145    | 24          |          |
| 95053H  | 95053ZH |     | 255        | 195    | 24          |          |



## Ø110

DIAMETER (mm)



PA-BALL

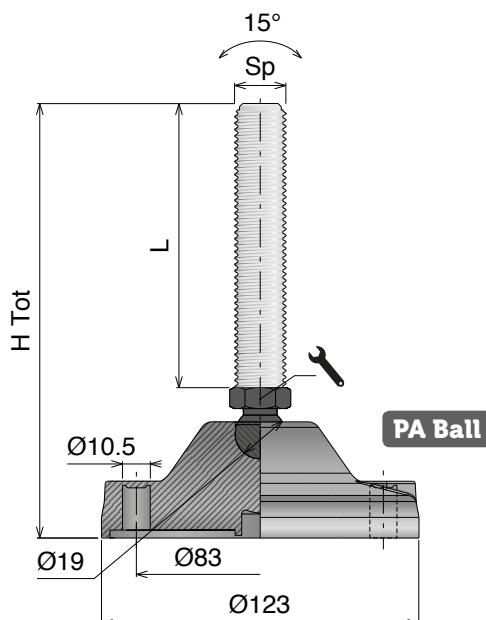


FIXING POINT

| Art-Nr. | Art-Nr. | Sp  | H Tot (mm) | L (mm) | Wrench (mm) | Load (N) |
|---------|---------|-----|------------|--------|-------------|----------|
| SS      | FeZn    |     |            |        | ⬡           |          |
| -       | 94601ZH | M16 | 155        | 115    | 24          | 12.000   |
| 94602H  | 94602ZH |     | 185        | 145    | 24          |          |
| 94603H  | 94603ZH |     | 235        | 195    | 24          |          |
| 94701H  | 94701ZH | M20 | 155        | 115    | 24          | 12.000   |
| -       | 94702ZH |     | 185        | 145    | 24          |          |
| 94703H  | 94703ZH |     | 235        | 195    | 24          |          |



Best Value



## Ø123

DIAMETER (mm)



PA-BALL



FIXING POINT

| Art-Nr. | Art-Nr. | Sp  | H Tot (mm) | L (mm) | Wrench (mm) | Load (N) |
|---------|---------|-----|------------|--------|-------------|----------|
| SS      | FeZn    |     |            |        | ⬡           |          |
| -       | 95101ZH | M16 | 175        | 115    | 24          | 20.000   |
| 95102H  | 95102ZH |     | 205        | 145    | 24          |          |
| 95103H  | 95103ZH |     | 255        | 195    | 24          |          |
| 95201H  | 95201ZH | M20 | 175        | 115    | 24          | 20.000   |
| -       | 95202ZH |     | 205        | 145    | 24          |          |
| 95203H  | 95203ZH |     | 255        | 195    | 24          |          |



Best Value

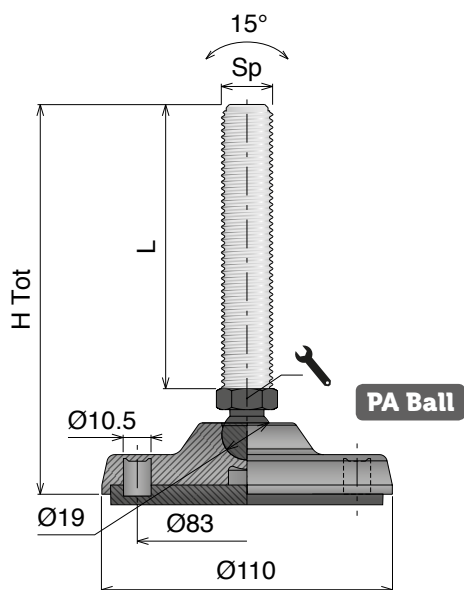
Material / Material / Materialien:

SS: Acciaio inox / Stainless steel / Edelstahl

FeZn: Ferro zincato / Zinc plated steel / Stahl Verzinkt

# Articulated Series

Piedi di livellamento / Leveling feet / Nivellierfüße



## Ø 110

DIAMETER (mm)



PA-BALL



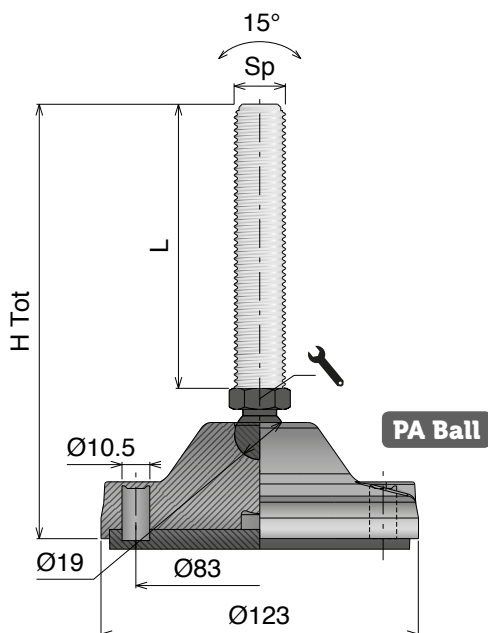
FIXING POINT



ANTI-SLIP

| Art-Nr. | Art-Nr. | Sp  | H Tot (mm) | L (mm) | Wrench (mm) | Load (N) |
|---------|---------|-----|------------|--------|-------------|----------|
| SS      | FeZn    |     |            |        | 24          |          |
| -       | 94651ZH | M16 | 155        | 115    | 24          | 12.000   |
| 94652H  | 94652ZH |     | 185        | 145    | 24          |          |
| 94653H  | 94653ZH |     | 235        | 195    | 24          |          |
| 94751H  | 94751ZH | M20 | 155        | 115    | 24          | 12.000   |
| -       | 94752ZH |     | 185        | 145    | 24          |          |
| 94753H  | 94753ZH |     | 235        | 195    | 24          |          |

Best Value



## Ø 123

DIAMETER (mm)



PA-BALL



FIXING POINT



ANTI-SLIP

| Art-Nr. | Art-Nr. | Sp  | H Tot (mm) | L (mm) | Wrench (mm) | Load (N) |
|---------|---------|-----|------------|--------|-------------|----------|
| SS      | FeZn    |     |            |        | 24          |          |
| -       | 95151ZH | M16 | 175        | 115    | 24          | 20.000   |
| 95152H  | 95152ZH |     | 205        | 145    | 24          |          |
| 95153H  | 95153ZH |     | 255        | 195    | 24          |          |
| 95251H  | 95251ZH | M20 | 175        | 115    | 24          | 20.000   |
| -       | 95252ZH |     | 205        | 145    | 24          |          |
| 95253H  | 95253ZH |     | 255        | 195    | 24          |          |

Best Value

## Muscle Series

Delivery: **Easy** **Standard**

### Main features:

- Molded baseplate in polyamide
- Spindle in austenitic stainless steel or zinc plated steel
- Washer in austenitic stainless steel
- Double floor fixation points

### Other versions available:

- Anti-slip NBR rubber pad
- Double floor fixation



The **MUSCLE series**, with plastic baseplate, fully threaded spindle and stainless steel washer is the standard choice for the industrial environments.

The spindle can be made with flat or hexagonal key wrench and is available in two different materials, zinc plated steel or stainless steel and the baseplate is available with or without rubber pad.

The spindle is fixed by using a circlip or with a self-locking nut.

Maximum compressive strength (static load) as in the table, maximum tensile strength (static load) 1.000 N

## Accessori / Accessories / Zubehör



**Gomma anti-scivolo**  
Anti-slip pad/Gummiplatte

| Art-Nr. | For base |
|---------|----------|
| 99608   | Ø123     |



**Dadi**  
Nuts/Sechskantmuttern

| Art-Nr. | Sp  | Material          | Box    |
|---------|-----|-------------------|--------|
| 99805   | M20 | Stainless steel   | 10 pcs |
| 99806   | M24 | Stainless steel   | 5 pcs  |
| 99807   | M30 | Stainless steel   | 5 pcs  |
| Art-Nr. | Sp  | Material          | Box    |
| 99805Z  | M20 | Zinc plated steel | 10 pcs |
| 99806Z  | M24 | Zinc plated steel | 5 pcs  |
| 99807Z  | M30 | Zinc plated steel | 5 pcs  |

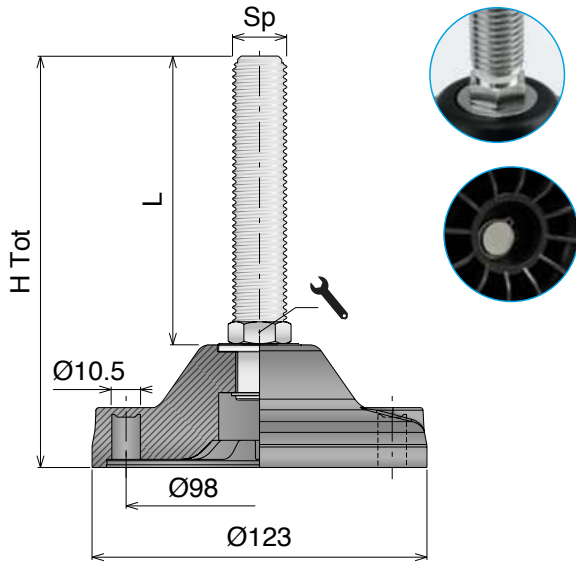
**Materiale / Material / Materialien:**

SS: Acciaio inox / Stainless steel / Edelstahl

FeZn: Ferro zincato / Zinc plated steel / Stahl Verzinkt

# Muscle Series

Piedi di livellamento / Leveling feet / Nivellierfüße

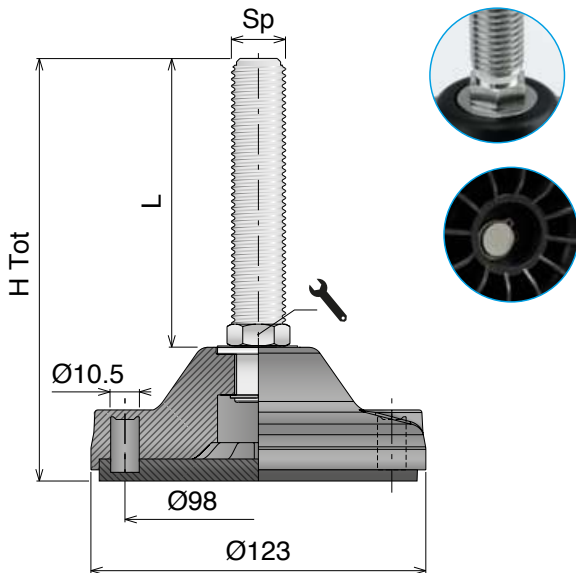


## Ø123 Type A

DIAMETER (mm)

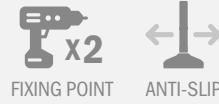


| Art-Nr. | Art-Nr. | Sp  | H Tot (mm) | L (mm) | Wrench (mm) | Load (N) |
|---------|---------|-----|------------|--------|-------------|----------|
| SS      | FeZn    |     |            |        | 20          |          |
| 95801H  | 95801ZH | M20 | 150        | 98     | 20          | 30.000   |
| 95802H  | 95802ZH |     | 200        | 148    | 20          |          |
| 95803H  | 95803ZH |     | 250        | 198    | 20          |          |
| 95901H  | 95901ZH | M24 | 150        | 98     | 24          |          |
| 95902H  | 95902ZH |     | 200        | 148    | 24          |          |
| 95903H  | 95903ZH |     | 250        | 198    | 24          |          |

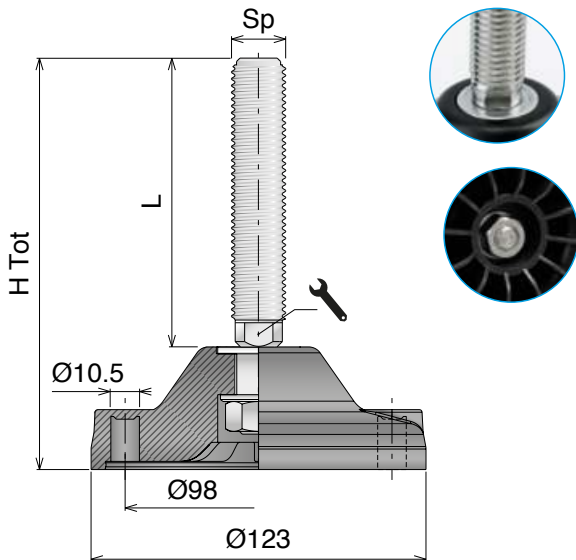


## Ø123 Type A

DIAMETER (mm)



| Art-Nr. | Art-Nr. | Sp  | H Tot (mm) | L (mm) | Wrench (mm) | Load (N) |
|---------|---------|-----|------------|--------|-------------|----------|
| SS      | FeZn    |     |            |        | 20          |          |
| 95851H  | 95851ZH | M20 | 150        | 98     | 20          | 30.000   |
| 95852H  | 95852ZH |     | 200        | 148    | 20          |          |
| 95853H  | 95853ZH |     | 250        | 198    | 20          |          |
| 95951H  | 95951ZH | M24 | 150        | 98     | 24          |          |
| 95952H  | 95952ZH |     | 200        | 148    | 24          |          |
| 95953H  | 95953ZH |     | 250        | 198    | 24          |          |



## Ø123 Type B

DIAMETER (mm)



| Art-Nr. | Art-Nr. | Sp  | H Tot (mm) | L (mm) | Wrench (mm) | Load (N) |
|---------|---------|-----|------------|--------|-------------|----------|
| SS      | FeZn    |     |            |        | 16          |          |
| 93102   | 93102Z  | M20 | 200        | 148    | 16          | 30.000   |
| 93103   | 93103Z  |     | 250        | 198    | 16          |          |
| 93202   | 93202Z  | M24 | 200        | 148    | 19          |          |
| 93203   | 93203Z  |     | 250        | 198    | 19          |          |
| 93302   | 93302Z  | M30 | 200        | 148    | 24          |          |
| 93303   | 93303Z  |     | 250        | 198    | 24          |          |

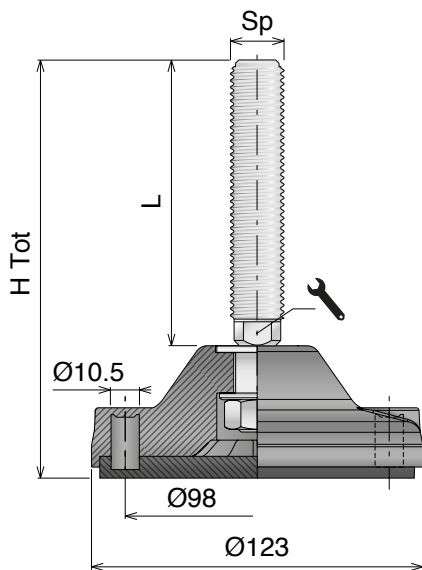
# Muscle Series

Piedi di livellamento / Leveling feet / Nivellierfüße

**Materiale / Material / Materialien:**

**SS:** Acciaio inox / Stainless steel / Edelstahl

**FeZn:** Ferro zincato / Zinc plated steel / Stahl Verzinkt



## Ø123 Type B

DIAMETER (mm)

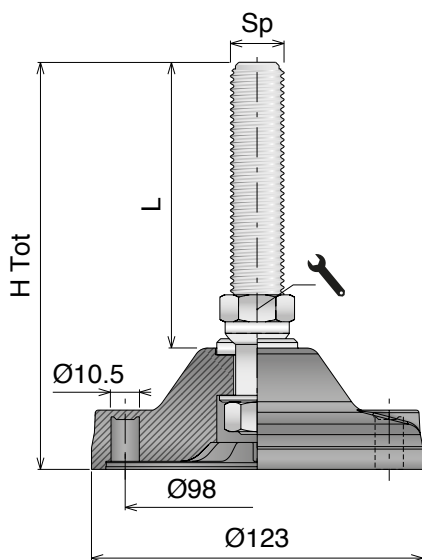


FIXING POINT



ANTI-SLIP

| Art-Nr.      | Art-Nr.       | Sp  | H Tot (mm) | L (mm) | Wrench (mm) | Load (N) |
|--------------|---------------|-----|------------|--------|-------------|----------|
| SS           | FeZn          |     |            |        | Hex         |          |
| <b>93152</b> | <b>93152Z</b> | M20 | 200        | 148    | 16          | 30.000   |
| <b>93153</b> | <b>93153Z</b> |     | 250        | 198    | 16          |          |
| <b>93252</b> | <b>93252Z</b> | M24 | 200        | 148    | 19          | 30.000   |
| <b>93253</b> | <b>93253Z</b> |     | 250        | 198    | 19          |          |
| <b>93352</b> | <b>93352Z</b> | M30 | 200        | 148    | 24          | 30.000   |
| <b>93353</b> | <b>93353Z</b> |     | 250        | 198    | 24          |          |



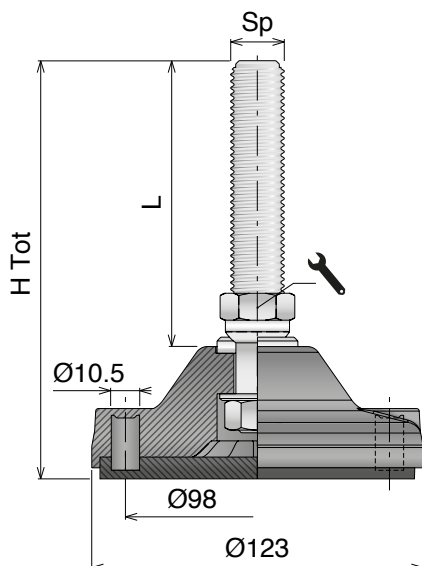
## Ø123 Type C

DIAMETER (mm)



FIXING POINT

| Art-Nr.       | Art-Nr.        | Sp  | H Tot (mm) | L (mm) | Wrench (mm) | Load (N) |
|---------------|----------------|-----|------------|--------|-------------|----------|
| SS            | FeZn           |     |            |        | Hex         |          |
| <b>98103H</b> | <b>98103ZH</b> | M20 | 250        | 198    | 24          | 30.000   |
| <b>98203H</b> | <b>98203ZH</b> | M24 | 250        | 198    | 24          |          |
| <b>98302H</b> | <b>98302ZH</b> | M30 | 200        | 148    | 32          | 30.000   |
| <b>98303H</b> | <b>98303ZH</b> |     | 250        | 198    | 32          |          |



## Ø123 Type C

DIAMETER (mm)



FIXING POINT



ANTI-SLIP

| Art-Nr.       | Art-Nr.        | Sp  | H Tot (mm) | L (mm) | Wrench (mm) | Load (N) |
|---------------|----------------|-----|------------|--------|-------------|----------|
| SS            | FeZn           |     |            |        | Hex         |          |
| <b>98153H</b> | <b>98153ZH</b> | M20 | 250        | 198    | 24          | 30.000   |
| <b>98253H</b> | <b>98253ZH</b> | M24 | 250        | 198    | 24          |          |
| <b>98352H</b> | <b>98352ZH</b> | M30 | 200        | 148    | 32          | 30.000   |
| <b>98353H</b> | <b>98353ZH</b> |     | 250        | 198    | 32          |          |



## P400R Series

RANGE EXTENSION

Delivery: **Easy** **Standard**

### Main features:

- Molded baseplate in polyamide
- Spindle in austenitic stainless steel or zinc plated steel
- Washer in austenitic stainless steel

### Versions available:

- Anti-slip NBR rubber pad
- Double floor fixation



The **P400R series**, with plastic baseplate, fully threaded spindle and stainless steel washer is the best choice for industrial environments where a medium-high level of hygiene is required.

The compact baseplate and the smooth edges guarantee an excellent cleanability, even in critical conditions and the stainless steel washer ensures complete closure between the spindle and the baseplate.

Maximum compressive strength (static load) as in the table, maximum tensile strength (static load) 500 N.

## Accessori / Accessories / Zubehör



**Gomma anti-scivolo**  
Anti-slip pad/Gummiplatte

| Art-Nr. | For base |
|---------|----------|
| 99604   | Ø80      |
| 99605   | Ø100     |
| 99606   | Ø120     |



**Dadi**  
Nuts/Sechskantmuttern

| Art-Nr. | Sp  | Material          | Box    |
|---------|-----|-------------------|--------|
| 99802   | M12 | Stainless steel   | 10 pcs |
| 99804   | M16 | Stainless steel   | 10 pcs |
| 99805   | M20 | Stainless steel   | 10 pcs |
| 99806   | M24 | Stainless steel   | 5 pcs  |
| 99802Z  | M12 | Zinc plated steel | 10 pcs |
| 99804Z  | M16 | Zinc plated steel | 10 pcs |
| 99805Z  | M20 | Zinc plated steel | 10 pcs |
| 99806Z  | M24 | Zinc plated steel | 5 pcs  |

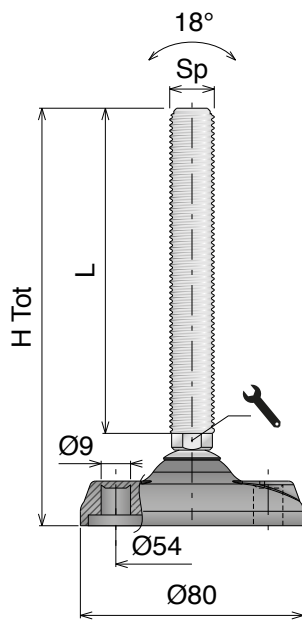
# P400R Series

Piedi di livellamento / Leveling feet / Nivellierfüße

Materiale / Material / Materialien:

SS: Acciaio inox / Stainless steel / Edelstahl

FeZn: Ferro zincato / Zinc plated steel / Stahl Verzinkt

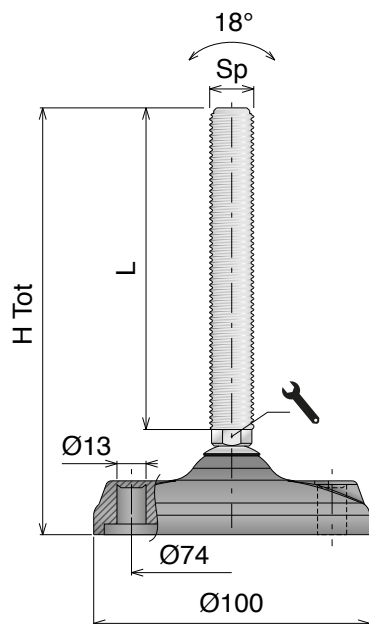


## Ø80

DIAMETER (mm)

 x2  
FIXING POINT

| Art-Nr. | Art-Nr. | Sp  | H Tot (mm) | L (mm) | Wrench (mm) |    | Load (N) |
|---------|---------|-----|------------|--------|-------------|----|----------|
| SS      | FeZn    |     |            |        | 9           | 13 |          |
| 91001   | 91001Z  | M12 | 100        | 67     | 9           | -  | 12.000   |
| 91002   | 91002Z  |     | 150        | 117    | 9           | -  |          |
| 91003   | 91003Z  |     | 200        | 167    | 9           | -  |          |
| 91101   | 91101Z  | M16 | 95         | 61     | 13          | -  | 15.000   |
| 91102   | 91102Z  |     | 145        | 111    | 13          | -  |          |
| 91103   | 91103Z  |     | 195        | 161    | 13          | -  |          |
| 91101H  | 91101ZH |     | 95         | 61     | -           | 16 |          |
| 91102H  | 91102ZH |     | 145        | 111    | -           | 16 |          |
| 91103H  | 91103ZH |     | 195        | 161    | -           | 16 |          |
| 91201   | 91201Z  | M20 | 120        | 84     | 16          | -  | 16.000   |
| 91202   | 91202Z  |     | 170        | 134    | 16          | -  |          |
| 91203   | 91203Z  |     | 220        | 184    | 16          | -  |          |
| 91201H  | 91201ZH |     | 120        | 84     | -           | 20 |          |
| 91202H  | 91202ZH |     | 170        | 134    | -           | 20 |          |
| 91203H  | 91203ZH |     | 220        | 184    | -           | 20 |          |

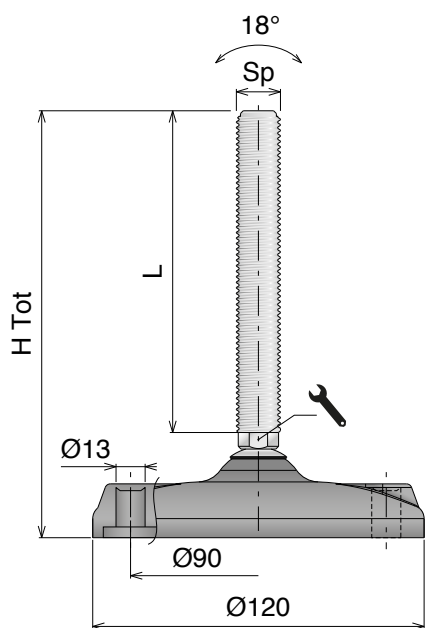


## Ø100

DIAMETER (mm)

 x2  
FIXING POINT

| Art-Nr. | Art-Nr. | Sp  | H Tot (mm) | L (mm) | Wrench (mm) |    | Load (N) |
|---------|---------|-----|------------|--------|-------------|----|----------|
| SS      | FeZn    |     |            |        | 13          | 16 |          |
| 91301   | 91301Z  | M16 | 100        | 61     | 13          | -  | 15.000   |
| 91302   | 91302Z  |     | 150        | 111    | 13          | -  |          |
| 91303   | 91303Z  |     | 200        | 161    | 13          | -  |          |
| 91301H  | 91301ZH |     | 100        | 61     | -           | 16 |          |
| 91302H  | 91302ZH |     | 150        | 111    | -           | 16 |          |
| 91303H  | 91303ZH |     | 200        | 161    | -           | 16 |          |
| 91401   | 91401Z  | M20 | 125        | 84     | 16          | -  | 16.000   |
| 91402   | 91402Z  |     | 175        | 134    | 16          | -  |          |
| 91403   | 91403Z  |     | 225        | 184    | 16          | -  |          |
| 91401H  | 91401ZH |     | 125        | 84     | -           | 20 |          |
| 91402H  | 91402ZH |     | 175        | 134    | -           | 20 |          |
| 91403H  | 91403ZH |     | 225        | 184    | -           | 20 |          |
| 91501   | 91501Z  | M24 | 125        | 83     | 19          | -  | 18.000   |
| 91502   | 91502Z  |     | 175        | 133    | 19          | -  |          |
| 91503   | 91503Z  |     | 225        | 183    | 19          | -  |          |

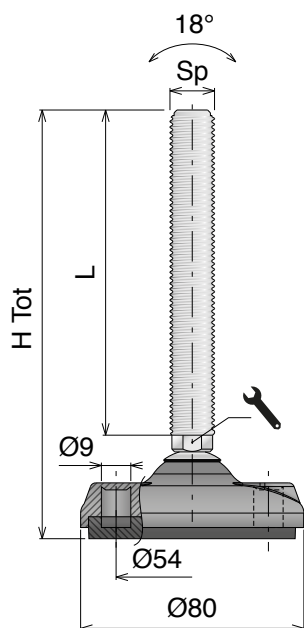


## Ø120

DIAMETER (mm)

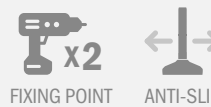


| Art-Nr. | Art-Nr. | Sp  | H Tot (mm) | L (mm) | Wrench (mm) |     | Load (N) |
|---------|---------|-----|------------|--------|-------------|-----|----------|
| SS      | FeZn    |     |            |        | Hex         | Hex |          |
| 91601   | 91601Z  | M16 | 100        | 61     | 13          | -   | 15.000   |
| 91602   | 91602Z  |     | 150        | 111    | 13          | -   |          |
| 91603   | 91603Z  |     | 200        | 161    | 13          | -   |          |
| 91601H  | 91601ZH |     | 100        | 61     | -           | 16  |          |
| 91602H  | 91602ZH |     | 150        | 111    | -           | 16  |          |
| 91603H  | 91603ZH |     | 200        | 161    | -           | 16  |          |
| 91701   | 91701Z  | M20 | 125        | 84     | 16          | -   | 16.000   |
| 91702   | 91702Z  |     | 175        | 134    | 16          | -   |          |
| 91703   | 91703Z  |     | 225        | 184    | 16          | -   |          |
| 91701H  | 91701ZH |     | 125        | 84     | -           | 20  |          |
| 91702H  | 91702ZH |     | 175        | 134    | -           | 20  |          |
| 91703H  | 91703ZH |     | 225        | 184    | -           | 20  |          |
| 91801   | 91801Z  | M24 | 125        | 83     | 19          | -   | 18.000   |
| 91802   | 91802Z  |     | 175        | 133    | 19          | -   |          |
| 91803   | 91803Z  |     | 225        | 183    | 19          | -   |          |



## Ø80

DIAMETER (mm)



| Art-Nr. | Art-Nr.  | Sp  | H Tot (mm) | L (mm) | Wrench (mm) |     | Load (N) |
|---------|----------|-----|------------|--------|-------------|-----|----------|
| SS      | FeZn     |     |            |        | Hex         | Hex |          |
| 91001R  | 91001ZR  | M12 | 103        | 67     | 9           | -   | 12.000   |
| 91002R  | 91002ZR  |     | 153        | 117    | 9           | -   |          |
| 91003R  | 91003ZR  |     | 203        | 167    | 9           | -   |          |
| 91101R  | 91101ZR  | M16 | 98         | 61     | 13          | -   | 15.000   |
| 91102R  | 91102ZR  |     | 148        | 111    | 13          | -   |          |
| 91103R  | 91103ZR  |     | 198        | 161    | 13          | -   |          |
| 91101HR | 91101ZHR |     | 98         | 61     | -           | 16  |          |
| 91102HR | 91102ZHR |     | 148        | 111    | -           | 16  |          |
| 91103HR | 91103ZHR |     | 198        | 161    | -           | 16  |          |
| 91201R  | 91201ZR  | M20 | 123        | 84     | 16          | -   | 16.000   |
| 91202R  | 91202ZR  |     | 173        | 134    | 16          | -   |          |
| 91203R  | 91203ZR  |     | 223        | 184    | 16          | -   |          |
| 91201HR | 91201ZHR |     | 123        | 84     | -           | 20  |          |
| 91202HR | 91202ZHR |     | 173        | 134    | -           | 20  |          |
| 91203HR | 91203ZHR |     | 223        | 184    | -           | 20  |          |

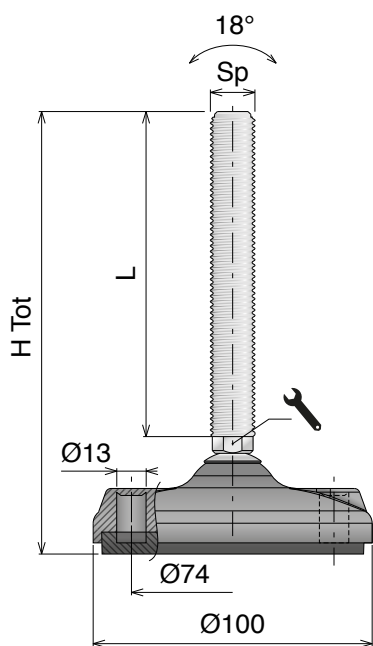
# P400R Series

Piedi di livellamento / Leveling feet / Nivellierfüße

**Materiale / Material / Materialien:**

**SS:** Acciaio inox / Stainless steel / Edelstahl

**FeZn:** Ferro zincato / Zinc plated steel / Stahl Verzinkt



## Ø 100

DIAMETER (mm)

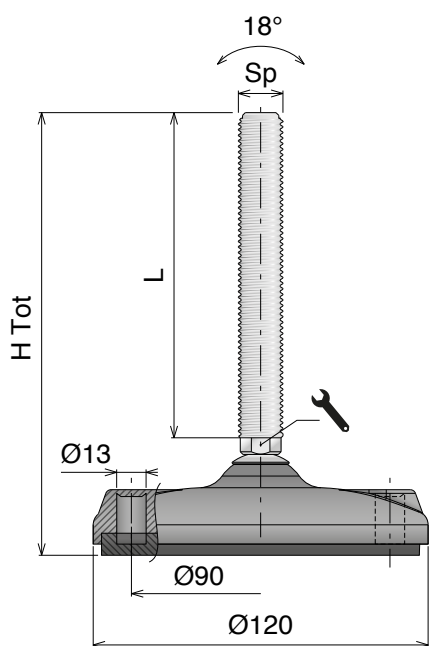


FIXING POINT



ANTI-SLIP

| Art-Nr. | Art-Nr.  | Sp  | H Tot (mm) | L (mm) | Key (mm) |     | Load (N) |
|---------|----------|-----|------------|--------|----------|-----|----------|
| SS      | FeZn     |     |            |        | Ø        | Hex |          |
| 91301R  | 91301ZR  | M16 | 103        | 61     | 13       | -   | 15.000   |
| 91302R  | 91302ZR  |     | 153        | 111    | 13       | -   |          |
| 91303R  | 91303ZR  |     | 203        | 161    | 13       | -   |          |
| 91301HR | 91301ZHR |     | 103        | 61     | -        | 16  |          |
| 91302HR | 91302ZHR |     | 153        | 111    | -        | 16  |          |
| 91303HR | 91303ZHR |     | 203        | 161    | -        | 16  |          |
| 91401R  | 91401ZR  | M20 | 128        | 84     | 16       | -   | 16.000   |
| 91402R  | 91402ZR  |     | 178        | 134    | 16       | -   |          |
| 91403R  | 91403ZR  |     | 228        | 184    | 16       | -   |          |
| 91401HR | 91401ZHR |     | 128        | 84     | -        | 20  |          |
| 91402HR | 91402ZHR |     | 178        | 134    | -        | 20  |          |
| 91403HR | 91403ZHR |     | 228        | 184    | -        | 20  |          |
| 91501R  | 91501ZR  | M24 | 128        | 83     | 19       | -   | 18.000   |
| 91502R  | 91502ZR  |     | 178        | 133    | 19       | -   |          |
| 91503R  | 91503ZR  |     | 228        | 183    | 19       | -   |          |



## Ø 120

DIAMETER (mm)



FIXING POINT



ANTI-SLIP

| Art-Nr. | Art-Nr.  | Sp  | H Tot (mm) | L (mm) | Key (mm) |     | Load (N) |
|---------|----------|-----|------------|--------|----------|-----|----------|
| SS      | FeZn     |     |            |        | Ø        | Hex |          |
| 91601R  | 91601ZR  | M16 | 103        | 61     | 13       | -   | 15.000   |
| 91602R  | 91602ZR  |     | 153        | 111    | 13       | -   |          |
| 91603R  | 91603ZR  |     | 203        | 161    | 13       | -   |          |
| 91601HR | 91601ZHR |     | 103        | 61     | -        | 16  |          |
| 91602HR | 91602ZHR |     | 153        | 111    | -        | 16  |          |
| 91603HR | 91603ZHR |     | 203        | 161    | -        | 16  |          |
| 91701R  | 91701ZR  | M20 | 128        | 84     | 16       | -   | 16.000   |
| 91702R  | 91702ZR  |     | 178        | 134    | 16       | -   |          |
| 91703R  | 91703ZR  |     | 228        | 184    | 16       | -   |          |
| 91701HR | 91701ZHR |     | 128        | 84     | -        | 20  |          |
| 91702HR | 91702ZHR |     | 178        | 134    | -        | 20  |          |
| 91703HR | 91703ZHR |     | 228        | 184    | -        | 20  |          |
| 91801R  | 91801ZR  | M24 | 128        | 83     | 19       | -   | 18.000   |
| 91802R  | 91802ZR  |     | 178        | 133    | 19       | -   |          |
| 91803R  | 91803ZR  |     | 228        | 183    | 19       | -   |          |

## STEEL Series

Delivery: **Easy** Standard

### Main features:

- Stamped baseplate in austenitic stainless steel or zinc plated steel
- Spindle in austenitic stainless steel or zinc plated steel



The **STEEL series**, with stamped baseplate and fully threaded spindle is the standard choice for the industrial environments, where a low level of hygiene and low load are required.

Ideal for heavy and dirty production environments, the STEEL series can be provided without fixing holes, with 2 fixing holes or with 4 fixing holes.

The spindle is made with hexagonal key wrench and is available in two different materials, zinc plated steel or stainless steel.

Maximum compressive strength (static load) 10.000 N, maximum tensile strength (static load) 4.000 N.

## Accessori / Accessories / Zubehör



### Dadi Nuts/Sechskantmuttern

| Art-Nr.      | Sp  | Material        | Box    |
|--------------|-----|-----------------|--------|
| <b>99804</b> | M16 | Stainless steel | 10 pcs |
| <b>99805</b> | M20 | Stainless steel | 10 pcs |
| <b>99806</b> | M24 | Stainless steel | 5 pcs  |
| <b>99807</b> | M30 | Stainless steel | 5 pcs  |

| Art-Nr.       | Sp  | Material          | Box    |
|---------------|-----|-------------------|--------|
| <b>99804Z</b> | M16 | Zinc plated steel | 10 pcs |
| <b>99805Z</b> | M20 | Zinc plated steel | 10 pcs |
| <b>99806Z</b> | M24 | Zinc plated steel | 5 pcs  |
| <b>99807Z</b> | M30 | Zinc plated steel | 5 pcs  |

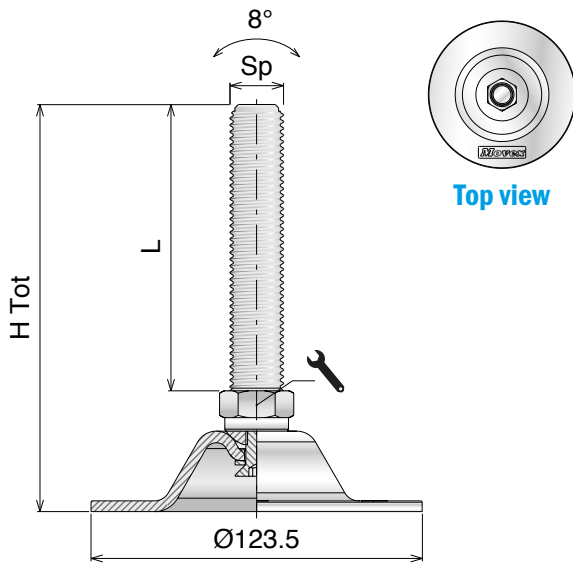
# STEEL Series

Piedi di livellamento / Leveling feet / Nivellierfüße

Materiale / Material / Materialien:

SS: Acciaio inox / Stainless steel / Edelstahl

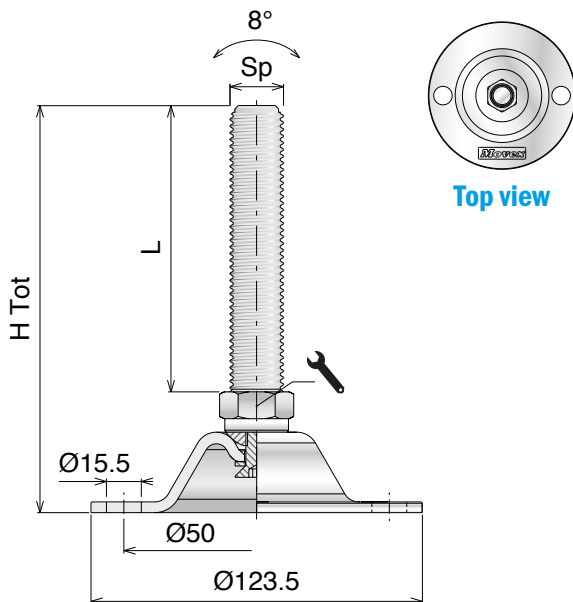
FeZn: Ferro zincato / Zinc plated steel / Stahl Verzinkt



Top view

Ø123  
DIAMETER (mm)

| Art-Nr. | Art-Nr. | Sp  | H Tot (mm) | L (mm) | Wrench (mm) | Load (N) |
|---------|---------|-----|------------|--------|-------------|----------|
| SS      | FeZn    |     |            |        | Hex         |          |
| 96801H  | 96801ZH | M16 | 155        | 115    | 20          | 10.000   |
| 96802H  | 96802ZH |     | 175        | 135    | 20          |          |
| 96901H  | 96901ZH | M20 | 160        | 115    | 24          |          |
| 96902H  | 96902ZH |     | 175        | 135    | 24          |          |
| 97001H  | 97001ZH | M24 | 170        | 125    | 24          |          |
| 97002H  | 97002ZH |     | 230        | 185    | 24          |          |
| 97101H  | 97101ZH | M30 | 170        | 125    | 32          |          |
| 97102H  | 97102ZH |     | 230        | 185    | 32          |          |

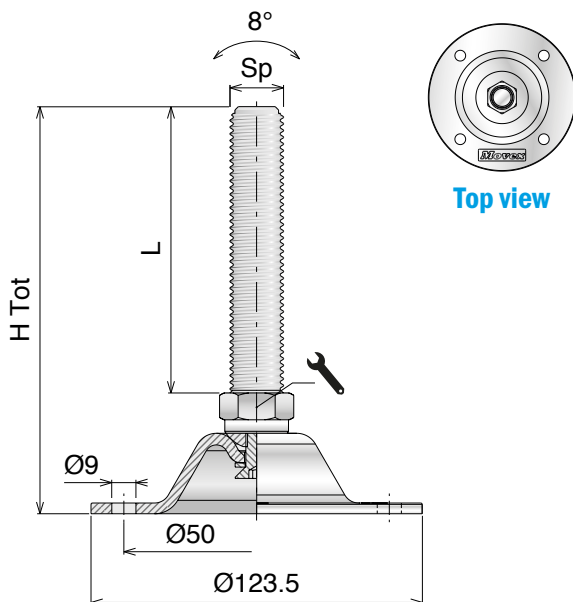


Top view

Ø123  
DIAMETER (mm)



| Art-Nr. | Art-Nr. | Sp  | H Tot (mm) | L (mm) | Wrench (mm) | Load (N) |
|---------|---------|-----|------------|--------|-------------|----------|
| SS      | FeZn    |     |            |        | Hex         |          |
| 96401H  | 96401ZH | M16 | 155        | 115    | 20          | 10.000   |
| 96402H  | 96402ZH |     | 175        | 135    | 20          |          |
| 96501H  | 96501ZH | M20 | 160        | 115    | 24          |          |
| 96502H  | 96502ZH |     | 175        | 135    | 24          |          |
| 96601H  | 96601ZH | M24 | 170        | 125    | 24          |          |
| 96602H  | 96602ZH |     | 230        | 185    | 24          |          |
| 96701H  | 96701ZH | M30 | 170        | 125    | 32          |          |
| 96702H  | 96702ZH |     | 230        | 185    | 32          |          |



Top view

Ø123  
DIAMETER (mm)



| Art-Nr. | Art-Nr. | Sp  | H Tot (mm) | L (mm) | Wrench (mm) | Load (N) |
|---------|---------|-----|------------|--------|-------------|----------|
| SS      | FeZn    |     |            |        | Hex         |          |
| 96001H  | 96001ZH | M16 | 155        | 115    | 20          | 10.000   |
| 96002H  | 96002ZH |     | 175        | 135    | 20          |          |
| 96101H  | 96101ZH | M20 | 160        | 115    | 24          |          |
| 96102H  | 96102ZH |     | 175        | 135    | 24          |          |
| 96201H  | 96201ZH | M24 | 170        | 125    | 24          |          |
| 96202H  | 96202ZH |     | 230        | 185    | 24          |          |
| 96301H  | 96301ZH | M30 | 170        | 125    | 32          |          |
| 96302H  | 96302ZH |     | 230        | 185    | 32          |          |

## S400 Series STAINLESS STEEL LEVELERS WITH FULLY THREADED SPINDLE

RANGE EXTENSION

Delivery: **Easy** **Standard**

### S400

**Main features:**

- Overmolded baseplate in austenitic stainless steel
- Spindle in austenitic stainless steel
- Washer in austenitic stainless steel
- Vulcanized anti-slip NBR rubber

**Versions available:**

- Single floor fixation



### S400 SPLIT

**Main features:**

- Overmolded baseplate in austenitic stainless steel
- Spindle in austenitic stainless steel
- Separate spindle and baseplate
- Vulcanized anti-slip NBR rubber



### S400 HEAVY

**Main features:**

- Full machined baseplate in austenitic stainless steel
- Spindle in austenitic stainless steel
- Washer in austenitic stainless steel

**Versions available:**

- Vulcanized anti-slip NBR rubber
- Double floor fixation



### S400 HEAVY-SPLIT

**Main features:**

- Full machined baseplate in austenitic stainless steel
- Spindle in austenitic stainless steel
- Separate spindle and baseplate

**Versions available:**

- Vulcanized anti-slip NBR rubber



The **S400 series**, with overmolded base plate in austenitic stainless steel, fully threaded spindle and stainless steel washer is the best choice for industrial environments where a high level of hygiene is required.

The stainless steel baseplate and its particular shape guarantees an excellent cleanability, even in critical conditions; the stainless steel washer ensures complete closure between the spindle and the baseplate and the NBR rubber guarantees anti-slip properties and hermetic closure between the leveller and the floor.

Maximum compressive strength (static load) as in the table, maximum tensile strength (static load) 4.000 N (S400); 8.000 N (S400 HEAVY); NOT AVAILABLE (SPLIT and HEAVY-SPLIT).

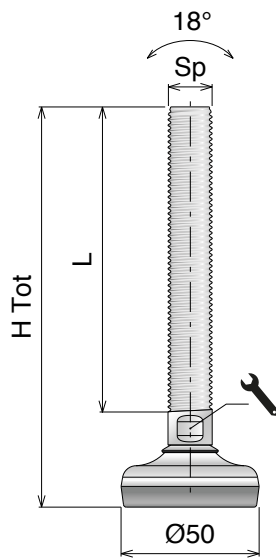
# S400 Series

Piedi di livellamento / Leveling feet / Nivellierfüße

On request vulcanized rubber can be provided white or blue and spindle can be made in AISI 316.

**Materiale / Material / Materialien:**

Base, stelo e rondella: Acciaio inox  
Base plate, spindle and washer: Stainless steel  
Fussplatte, Spindel und Scheibe: Edelstahl

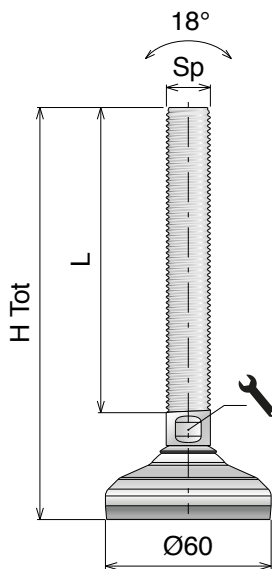


## Ø50

DIAMETER (mm)



| Art-Nr. | Sp  | H Tot (mm) | L (mm) | Wrench (mm) | Load (N) |
|---------|-----|------------|--------|-------------|----------|
| 901001  | M10 | 85,8       | 50,5   | 8           | 3.000    |
| 901002  |     | 115,8      | 80,5   | 8           |          |
| 901003  |     | 145,8      | 110,5  | 8           |          |
| 901004  | M12 | 85,8       | 50,8   | 10          | 3.000    |
| 901005  |     | 115,8      | 80,8   | 10          |          |
| 901006  |     | 145,8      | 110,8  | 10          |          |
| 901007  |     | 175,8      | 140,8  | 10          |          |
| 901008  | M16 | 85,8       | 51,3   | 13          | 3.000    |
| 901009  |     | 115,8      | 81,3   | 13          |          |
| 901010  |     | 145,8      | 111,3  | 13          |          |
| 901011  |     | 175,8      | 141,3  | 13          |          |
| 901012  |     | 225,8      | 191,3  | 13          |          |
| 901013  | M20 | 85,8       | 52,3   | 17          | 3.000    |
| 901014  |     | 115,8      | 82,3   | 17          |          |
| 901015  |     | 145,8      | 112,3  | 17          |          |
| 901016  |     | 175,8      | 142,3  | 17          |          |
| 901017  |     | 225,8      | 192,3  | 17          |          |
| 901018  |     | 285,8      | 252,3  | 17          |          |



## Ø60

DIAMETER (mm)



| Art-Nr. | Sp  | H Tot (mm) | L (mm) | Wrench (mm) | Load (N) |
|---------|-----|------------|--------|-------------|----------|
| 901019  | M10 | 90         | 50,5   | 8           | 3.000    |
| 901020  |     | 120        | 80,5   | 8           |          |
| 901021  |     | 150        | 110,5  | 8           |          |
| 901022  | M12 | 90         | 50,8   | 10          | 4.500    |
| 901023  |     | 120        | 80,8   | 10          |          |
| 901024  |     | 150        | 110,8  | 10          |          |
| 901025  |     | 180        | 140,8  | 10          |          |
| 901026  | M16 | 90         | 51,3   | 13          | 4.500    |
| 901027  |     | 120        | 81,3   | 13          |          |
| 901028  |     | 150        | 111,3  | 13          |          |
| 901029  |     | 180        | 141,3  | 13          |          |
| 901030  |     | 230        | 191,3  | 13          |          |
| 901031  | M20 | 90         | 52,3   | 17          | 4.500    |
| 901032  |     | 120        | 82,3   | 17          |          |
| 901033  |     | 150        | 112,3  | 17          |          |
| 901034  |     | 180        | 142,3  | 17          |          |
| 901035  |     | 230        | 192,3  | 17          |          |
| 901036  |     | 290        | 252,3  | 17          |          |

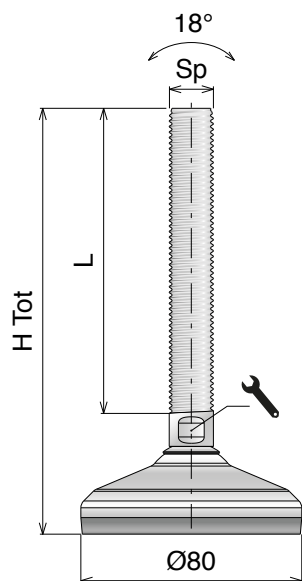


**Materiale / Material / Materialien:**  
 Base, stelo e rondella: Acciaio inox  
 Base plate, spindle and washer: Stainless steel  
 Fussplatte, Spindel und Scheibe: Edelstahl

On request vulcanized rubber can be provided  
 white or blue and spindle can be made in AISI 316.

# S400 Series

Piedi di livellamento / Leveling feet / Nivellierfüße



Ø 80

DIAMETER (mm)



ANTI-SLIP

| Art-Nr. | Sp  | H Tot (mm) | L (mm) | Wrench (mm) | Load (N) |
|---------|-----|------------|--------|-------------|----------|
| 901080  | M12 | 95         | 50,8   | 10          | 12.000   |
| 901081  |     | 125        | 80,8   | 10          |          |
| 901082  |     | 155        | 110,8  | 10          |          |
| 901083  |     | 185        | 140,8  | 10          |          |
| 901084  | M16 | 95         | 51,3   | 13          | 15.000   |
| 901085  |     | 125        | 81,3   | 13          |          |
| 901086  |     | 155        | 111,3  | 13          |          |
| 901087  |     | 185        | 141,3  | 13          |          |
| 901088  |     | 235        | 191,3  | 13          |          |
| 901089  | M20 | 95         | 52,3   | 17          | 15.000   |
| 901090  |     | 125        | 82,3   | 17          |          |
| 901091  |     | 155        | 112,3  | 17          |          |
| 901092  |     | 185        | 142,3  | 17          |          |
| 901093  |     | 235        | 192,3  | 17          |          |
| 901094  |     | 295        | 252,3  | 17          |          |
| 901095  | M24 | 125        | 76     | 19          | 15.000   |
| 901096  |     | 155        | 106    | 19          |          |
| 901097  |     | 185        | 136    | 19          |          |
| 901098  |     | 235        | 186    | 19          |          |
| 901099  |     | 295        | 246    | 19          |          |
| 901100  | M30 | 155        | 106    | 24          | 15.000   |
| 901101  |     | 185        | 136    | 24          |          |
| 901102  |     | 235        | 186    | 24          |          |
| 901103  |     | 295        | 246    | 24          |          |
| 901104  |     | 345        | 296    | 24          |          |

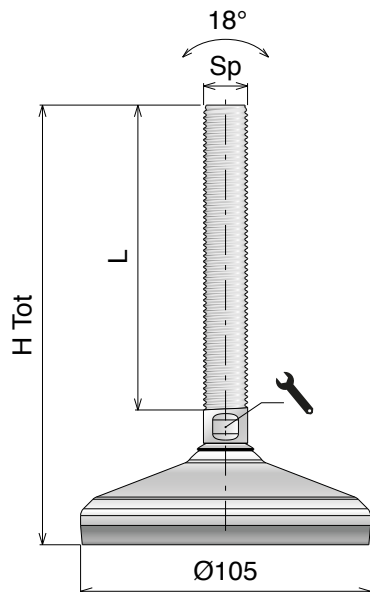
# S400 Series

Piedi di livellamento / Leveling feet / Nivellierfüße

On request vulcanized rubber can be provided  
white or blue and spindle can be made in AISI 316.

**Materiale / Material / Materialien:**

Base, stelo e rondella: Acciaio inox  
Base plate, spindle and washer: Stainless steel  
Fussplatte, Spindel und Scheibe: Edelstahl



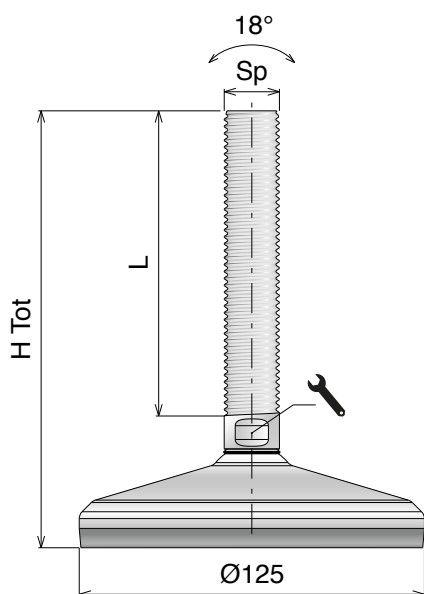
## Ø105

DIAMETER (mm)



ANTI-SLIP

| Art-Nr. | Sp  | H Tot (mm) | L (mm) | Wrench (mm) | Load (N) |
|---------|-----|------------|--------|-------------|----------|
| 901130  | M16 | 100        | 51,3   | 13          | 25.000   |
| 901131  |     | 130        | 81,3   | 13          |          |
| 901132  |     | 160        | 111,3  | 13          |          |
| 901133  |     | 190        | 141,3  | 13          |          |
| 901134  |     | 240        | 191,3  | 13          |          |
| 901135  | M20 | 100        | 52,3   | 17          | 25.000   |
| 901136  |     | 130        | 82,3   | 17          |          |
| 901137  |     | 160        | 112,3  | 17          |          |
| 901138  |     | 190        | 142,3  | 17          |          |
| 901139  |     | 240        | 192,3  | 17          |          |
| 901140  |     | 300        | 252,3  | 17          |          |
| 901141  | M24 | 130        | 76     | 19          | 25.000   |
| 901142  |     | 160        | 106    | 19          |          |
| 901143  |     | 190        | 136    | 19          |          |
| 901144  |     | 240        | 186    | 19          |          |
| 901145  |     | 300        | 246    | 19          |          |
| 901146  | M30 | 160        | 106    | 24          | 25.000   |
| 901147  |     | 190        | 136    | 24          |          |
| 901148  |     | 240        | 186    | 24          |          |
| 901149  |     | 300        | 246    | 24          |          |
| 901150  |     | 350        | 296    | 24          |          |
| 901151  | M36 | 190        | 136    | 30          | 25.000   |
| 901152  |     | 240        | 186    | 30          |          |
| 901153  |     | 300        | 246    | 30          |          |
| 901154  |     | 350        | 296    | 30          |          |



## Ø125

DIAMETER (mm)



ANTI-SLIP

| Art-Nr. | Sp  | H Tot (mm) | L (mm) | Wrench (mm) | Load (N) |
|---------|-----|------------|--------|-------------|----------|
| 901155  | M20 | 100        | 52,3   | 17          | 30.000   |
| 901156  |     | 130        | 82,3   | 17          |          |
| 901157  |     | 160        | 112,3  | 17          |          |
| 901158  |     | 190        | 142,3  | 17          |          |
| 901159  |     | 240        | 192,3  | 17          |          |
| 901160  |     | 300        | 252,3  | 17          |          |
| 901161  | M24 | 130        | 76     | 19          | 30.000   |
| 901162  |     | 160        | 106    | 19          |          |
| 901163  |     | 190        | 136    | 19          |          |
| 901164  |     | 240        | 186    | 19          |          |
| 901165  |     | 300        | 246    | 19          |          |
| 901166  | M30 | 160        | 106    | 24          | 30.000   |
| 901167  |     | 190        | 136    | 24          |          |
| 901168  |     | 240        | 186    | 24          |          |
| 901169  |     | 300        | 246    | 24          |          |
| 901170  |     | 350        | 296    | 24          |          |
| 901171  | M36 | 190        | 136    | 30          | 30.000   |
| 901172  |     | 240        | 186    | 30          |          |
| 901173  |     | 300        | 246    | 30          |          |
| 901174  |     | 350        | 296    | 30          |          |

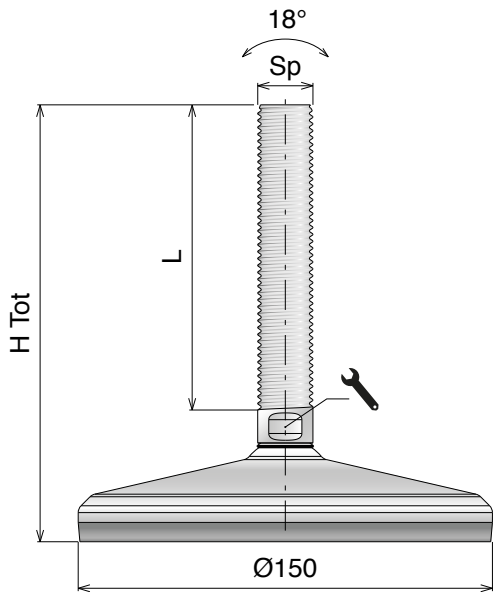
**Materiale / Material / Materialien:**

Base, stelo e rondella: Acciaio inox  
 Base plate, spindle and washer: Stainless steel  
 Fussplatte, Spindel und Scheibe: Edelstahl

On request vulcanized rubber can be provided  
 white or blue and spindle can be made in AISI 316.

# S400 Series

Piedi di livellamento / Leveling feet / Nivellierfüße



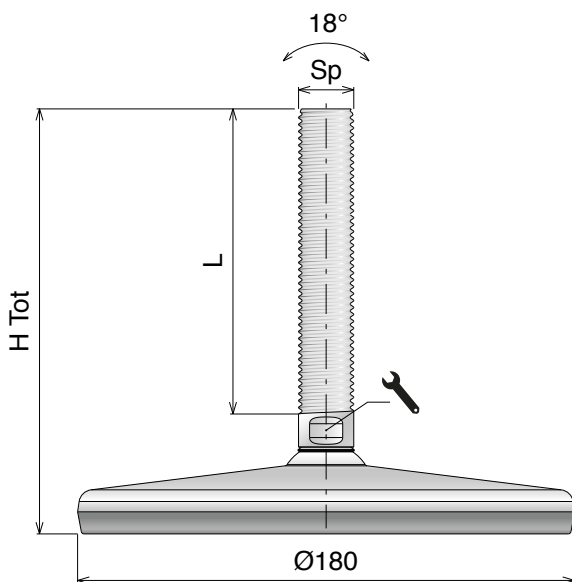
## Ø 150

DIAMETER (mm)



ANTI-SLIP

| Art-Nr. | Sp  | H Tot (mm) | L (mm) | Wrench (mm) | Load (N) |
|---------|-----|------------|--------|-------------|----------|
| 901175  | M20 | 100        | 52,3   | 17          | 45.000   |
| 901176  |     | 130        | 82,3   | 17          |          |
| 901177  |     | 160        | 112,3  | 17          |          |
| 901178  |     | 190        | 142,3  | 17          |          |
| 901179  |     | 240        | 192,3  | 17          |          |
| 901180  |     | 300        | 252,3  | 17          |          |
| 901181  | M24 | 130        | 76     | 19          | 45.000   |
| 901182  |     | 160        | 106    | 19          |          |
| 901183  |     | 190        | 136    | 19          |          |
| 901184  |     | 240        | 186    | 19          |          |
| 901185  |     | 300        | 246    | 19          |          |
| 901186  | M30 | 160        | 106    | 24          | 45.000   |
| 901187  |     | 190        | 136    | 24          |          |
| 901188  |     | 240        | 186    | 24          |          |
| 901189  |     | 300        | 246    | 24          |          |
| 901190  |     | 350        | 296    | 24          |          |
| 901191  | M36 | 190        | 136    | 30          | 45.000   |
| 901192  |     | 240        | 186    | 30          |          |
| 901193  |     | 300        | 246    | 30          |          |
| 901194  |     | 350        | 296    | 30          |          |



## Ø 180

DIAMETER (mm)



ANTI-SLIP

| Art-Nr. | Sp  | H Tot (mm) | L (mm) | Wrench (mm) | Load (N) |
|---------|-----|------------|--------|-------------|----------|
| 901195  | M20 | 95,7       | 52,3   | 17          | 38.000   |
| 901196  |     | 125,7      | 82,3   | 17          |          |
| 901197  |     | 155,7      | 112,3  | 17          |          |
| 901198  |     | 185,7      | 142,3  | 17          |          |
| 901199  |     | 235,7      | 192,3  | 17          |          |
| 901200  |     | 295,7      | 252,3  | 17          |          |
| 901201  | M24 | 125,7      | 76     | 19          | 38.000   |
| 901202  |     | 155,7      | 106    | 19          |          |
| 901203  |     | 185,7      | 136    | 19          |          |
| 901204  |     | 235,7      | 186    | 19          |          |
| 901205  |     | 295,7      | 246    | 19          |          |
| 901206  | M30 | 155,7      | 106    | 24          | 38.000   |
| 901207  |     | 185,7      | 136    | 24          |          |
| 901208  |     | 235,7      | 186    | 24          |          |
| 901209  |     | 295,7      | 246    | 24          |          |
| 901210  |     | 345,7      | 296    | 24          |          |
| 901211  | M36 | 185,7      | 136    | 30          | 38.000   |
| 901212  |     | 235,7      | 186    | 30          |          |
| 901213  |     | 295,7      | 246    | 30          |          |
| 901214  |     | 345,7      | 296    | 30          |          |

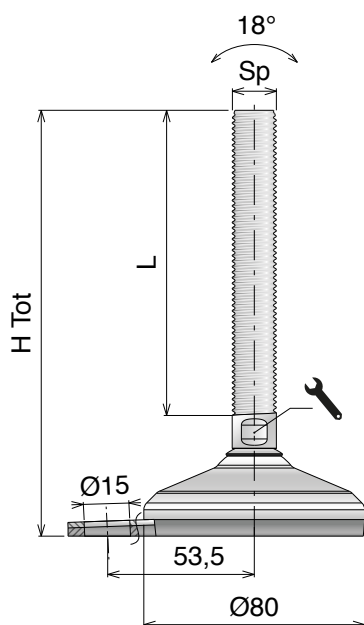
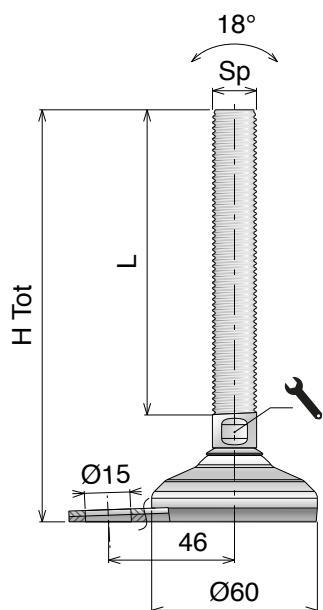
# S400 Series

Piedi di livellamento / Leveling feet / Nivellierfüße

On request vulcanized rubber can be provided  
white or blue and spindle can be made in AISI 316.

**Materiale / Material / Materialien:**

Base, stelo e rondella: Acciaio inox  
Base plate, spindle and washer: Stainless steel  
Fussplatte, Spindel und Scheibe: Edelstahl



## Ø 60

DIAMETER (mm)



FIXING POINT



ANTI-SLIP

| Art-Nr. | Sp  | H Tot (mm) | L (mm) | (mm) | Load (N) |
|---------|-----|------------|--------|------|----------|
| 901215  | M10 | 90         | 50,5   | 8    | 3.000    |
| 901216  |     | 120        | 80,5   | 8    |          |
| 901217  |     | 150        | 110,5  | 8    |          |
| 901218  | M12 | 90         | 50,8   | 10   | 4.500    |
| 901219  |     | 120        | 80,8   | 10   |          |
| 901220  |     | 150        | 110,8  | 10   |          |
| 901221  |     | 180        | 140,8  | 10   |          |
| 901222  | M16 | 90         | 51,3   | 13   | 4.500    |
| 901223  |     | 120        | 81,3   | 13   |          |
| 901224  |     | 150        | 111,3  | 13   |          |
| 901225  |     | 180        | 141,3  | 13   |          |
| 901226  |     | 230        | 191,3  | 13   |          |
| 901227  | M20 | 90         | 52,3   | 17   | 4.500    |
| 901228  |     | 120        | 82,3   | 17   |          |
| 901229  |     | 150        | 112,3  | 17   |          |
| 901230  |     | 180        | 142,3  | 17   |          |
| 901231  |     | 230        | 192,3  | 17   |          |
| 901232  |     | 290        | 252,3  | 17   |          |

## Ø 80

DIAMETER (mm)



FIXING POINT



ANTI-SLIP

| Art-Nr. | Sp  | H Tot (mm) | L (mm) | (mm) | Load (N) |
|---------|-----|------------|--------|------|----------|
| 901258  | M12 | 95         | 50,8   | 10   | 12.000   |
| 901259  |     | 125        | 80,8   | 10   |          |
| 901260  |     | 155        | 110,8  | 10   |          |
| 901261  |     | 185        | 140,8  | 10   |          |
| 901262  | M16 | 95         | 51,3   | 13   | 15.000   |
| 901263  |     | 125        | 81,3   | 13   |          |
| 901264  |     | 155        | 111,3  | 13   |          |
| 901265  |     | 185        | 141,3  | 13   |          |
| 901266  |     | 235        | 191,3  | 13   |          |
| 901267  | M20 | 95         | 52,3   | 17   | 15.000   |
| 901268  |     | 125        | 82,3   | 17   |          |
| 901269  |     | 155        | 112,3  | 17   |          |
| 901270  |     | 185        | 142,3  | 17   |          |
| 901271  |     | 235        | 192,3  | 17   |          |
| 901272  |     | 295        | 252,3  | 17   |          |
| 901273  | M24 | 125        | 76     | 19   | 15.000   |
| 901274  |     | 155        | 106    | 19   |          |
| 901275  |     | 185        | 136    | 19   |          |
| 901276  |     | 235        | 186    | 19   |          |
| 901277  |     | 295        | 246    | 19   |          |
| 901278  | M30 | 155        | 106    | 24   | 15.000   |
| 901279  |     | 185        | 136    | 24   |          |
| 901280  |     | 235        | 186    | 24   |          |
| 901281  |     | 295        | 246    | 24   |          |
| 901282  |     | 345        | 296    | 24   |          |

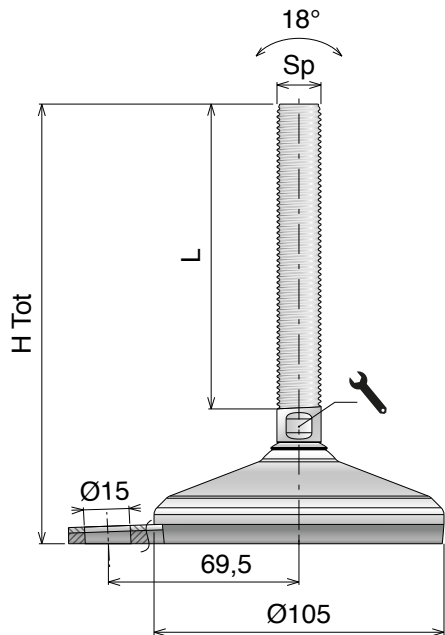
**Materiale / Material / Materialien:**

Base, stelo e rondella: Acciaio inox  
 Base plate, spindle and washer: Stainless steel  
 Fussplatte, Spindel und Scheibe: Edelstahl

On request vulcanized rubber can be provided  
 white or blue and spindle can be made in AISI 316.

# S400 Series

Piedi di livellamento / Leveling feet / Nivellierfüße



## Ø 105

DIAMETER (mm)

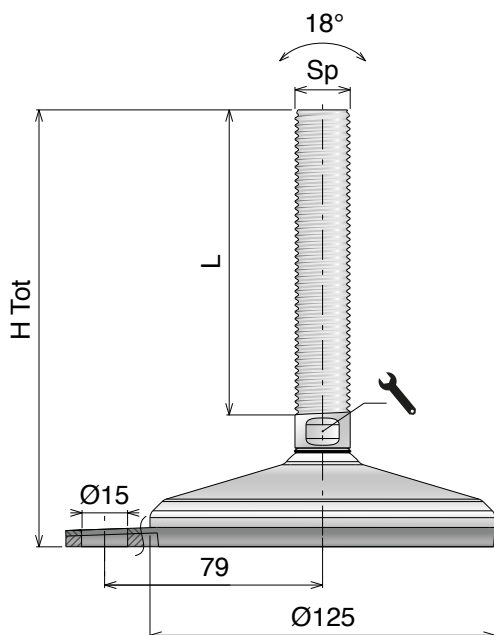


FIXING POINT



ANTI-SLIP

| Art-Nr. | Sp  | H Tot (mm) | L (mm) | Wrench (mm) | Load (N) |
|---------|-----|------------|--------|-------------|----------|
| 901308  | M16 | 100        | 51,3   | 13          | 25.000   |
| 901309  |     | 130        | 81,3   | 13          |          |
| 901310  |     | 160        | 111,3  | 13          |          |
| 901311  |     | 190        | 141,3  | 13          |          |
| 901312  |     | 240        | 191,3  | 13          |          |
| 901313  | M20 | 100        | 52,3   | 17          | 25.000   |
| 901314  |     | 130        | 82,3   | 17          |          |
| 901315  |     | 160        | 112,3  | 17          |          |
| 901316  |     | 190        | 142,3  | 17          |          |
| 901317  |     | 240        | 192,3  | 17          |          |
| 901318  | 300 | 252,3      | 17     |             |          |
| 901319  | M24 | 130        | 76     | 19          | 25.000   |
| 901320  |     | 160        | 106    | 19          |          |
| 901321  |     | 190        | 136    | 19          |          |
| 901322  |     | 240        | 186    | 19          |          |
| 901323  |     | 300        | 246    | 19          |          |
| 901324  | M30 | 160        | 106    | 24          | 25.000   |
| 901325  |     | 190        | 136    | 24          |          |
| 901326  |     | 240        | 186    | 24          |          |
| 901327  |     | 300        | 246    | 24          |          |
| 901328  |     | 350        | 296    | 24          |          |
| 901329  | M36 | 190        | 136    | 30          | 25.000   |
| 901330  |     | 240        | 186    | 30          |          |
| 901331  |     | 300        | 246    | 30          |          |
| 901332  |     | 350        | 296    | 30          |          |



## Ø 125

DIAMETER (mm)



FIXING POINT



ANTI-SLIP

| Art-Nr. | Sp  | H Tot (mm) | L (mm) | Wrench (mm) | Load (N) |
|---------|-----|------------|--------|-------------|----------|
| 901333  | M20 | 100        | 52,3   | 17          | 30.000   |
| 901334  |     | 130        | 82,3   | 17          |          |
| 901335  |     | 160        | 112,3  | 17          |          |
| 901336  |     | 190        | 142,3  | 17          |          |
| 901337  |     | 240        | 192,3  | 17          |          |
| 901338  | 300 | 252,3      | 17     |             |          |
| 901339  | M24 | 130        | 76     | 19          | 30.000   |
| 901340  |     | 160        | 106    | 19          |          |
| 901341  |     | 190        | 136    | 19          |          |
| 901342  |     | 240        | 186    | 19          |          |
| 901343  |     | 300        | 246    | 19          |          |
| 901344  | M30 | 160        | 106    | 24          | 30.000   |
| 901345  |     | 190        | 136    | 24          |          |
| 901346  |     | 240        | 186    | 24          |          |
| 901347  |     | 300        | 246    | 24          |          |
| 901348  |     | 350        | 296    | 24          |          |
| 901349  | M36 | 190        | 136    | 30          | 30.000   |
| 901350  |     | 240        | 186    | 30          |          |
| 901351  |     | 300        | 246    | 30          |          |
| 901352  |     | 350        | 296    | 30          |          |

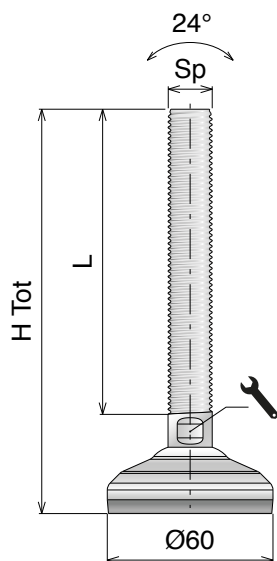
# S400 SPLIT

Piedi di livellamento / Leveling feet / Nivellierfüße

On request vulcanized rubber can be provided  
white or blue and spindle can be made in AISI 316.

**Materiale / Material / Materialien:**

Base, stelo e rondella: Acciaio inox  
Base plate, spindle and washer: Stainless steel  
Fussplatte, Spindel und Scheibe: Edelstahl



## Ø 60

DIAMETER (mm)

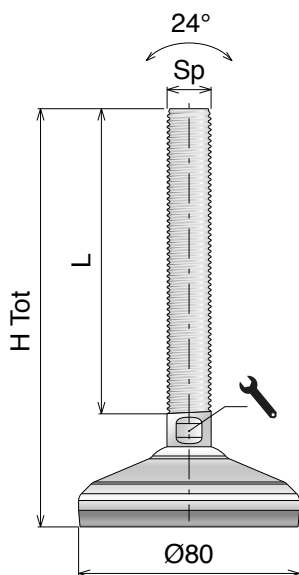


ANTI-SLIP



SLIT VERSION

| Art-Nr. | Sp  | H Tot (mm) | L (mm) | Wrench (mm) | Load (N) |
|---------|-----|------------|--------|-------------|----------|
| 901353  | M10 | 89         | 50,5   | 8           | 3.000    |
| 901354  |     | 119        | 80,5   | 8           |          |
| 901355  |     | 149        | 110,5  | 8           |          |
| 901356  | M12 | 89         | 50,8   | 10          | 4.500    |
| 901357  |     | 119        | 80,8   | 10          |          |
| 901358  |     | 149        | 110,8  | 10          |          |
| 901359  |     | 179        | 140,8  | 10          |          |
| 901360  | M16 | 89         | 51,3   | 13          | 4.500    |
| 901361  |     | 119        | 81,3   | 13          |          |
| 901362  |     | 149        | 111,3  | 13          |          |
| 901363  |     | 179        | 141,3  | 13          |          |
| 901364  |     | 229        | 191,3  | 13          |          |
| 901365  | M20 | 89         | 52,3   | 17          | 4.500    |
| 901366  |     | 119        | 82,3   | 17          |          |
| 901367  |     | 149        | 112,3  | 17          |          |
| 901368  |     | 179        | 142,3  | 17          |          |
| 901369  |     | 229        | 192,3  | 17          |          |
| 901370  |     | 289        | 252,3  | 17          |          |



## Ø 80

DIAMETER (mm)



ANTI-SLIP



SLIT VERSION

| Art-Nr. | Sp  | H Tot (mm) | L (mm) | Wrench (mm) | Load (N) |
|---------|-----|------------|--------|-------------|----------|
| 901371  | M12 | 94         | 50,8   | 10          | 12.000   |
| 901372  |     | 124        | 80,8   | 10          |          |
| 901373  |     | 154        | 110,8  | 10          |          |
| 901374  |     | 184        | 140,8  | 10          |          |
| 901375  | M16 | 94         | 51,3   | 13          | 15.000   |
| 901376  |     | 124        | 81,3   | 13          |          |
| 901377  |     | 154        | 111,3  | 13          |          |
| 901378  |     | 184        | 141,3  | 13          |          |
| 901379  |     | 234        | 191,3  | 13          |          |
| 901380  | M20 | 94         | 52,3   | 17          | 15.000   |
| 901381  |     | 124        | 82,3   | 17          |          |
| 901382  |     | 154        | 112,3  | 17          |          |
| 901383  |     | 184        | 142,3  | 17          |          |
| 901384  |     | 234        | 192,3  | 17          |          |
| 901385  |     | 294        | 252,3  | 17          |          |
| 901386  | M24 | 125        | 76     | 19          | 15.000   |
| 901387  |     | 155        | 106    | 19          |          |
| 901388  |     | 185        | 136    | 19          |          |
| 901389  |     | 235        | 186    | 19          |          |
| 901390  |     | 295        | 246    | 19          |          |
| 901391  | M30 | 155        | 106    | 24          | 15.000   |
| 901392  |     | 185        | 136    | 24          |          |
| 901393  |     | 235        | 186    | 24          |          |
| 901394  |     | 295        | 246    | 24          |          |
| 901395  |     | 345        | 296    | 24          |          |

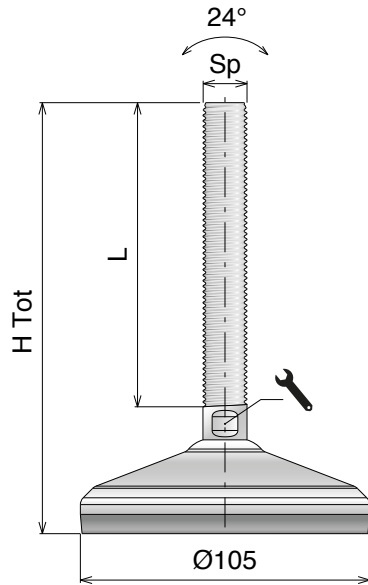
**Materiale / Material / Materialien:**

Base, stelo e rondella: Acciaio inox  
 Base plate, spindle and washer: Stainless steel  
 Fussplatte, Spindel und Scheibe: Edelstahl

On request vulcanized rubber can be provided  
 white or blue and spindle can be made in AISI 316.

# S400 SPLIT

Piedi di livellamento / Leveling feet / Nivellierfüße



## Ø 105

DIAMETER (mm)

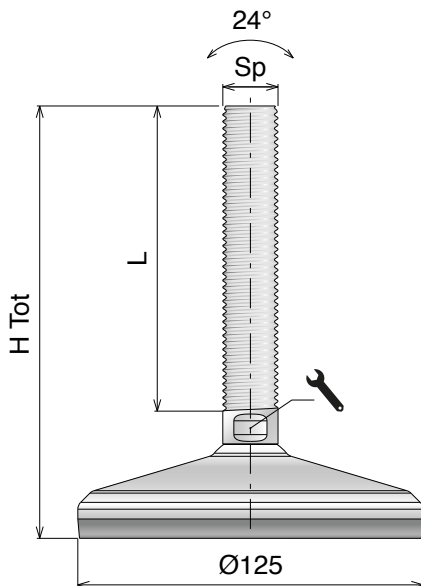


ANTI-SLIP



SLIT VERSION

| Art-Nr. | Sp  | H Tot (mm) | L (mm) | Wrench (mm) | Load (N) |
|---------|-----|------------|--------|-------------|----------|
| 901396  | M16 | 99         | 51,3   | 13          | 25.000   |
| 901397  |     | 129        | 81,3   | 13          |          |
| 901398  |     | 159        | 111,3  | 13          |          |
| 901399  |     | 189        | 141,3  | 13          |          |
| 901400  |     | 239        | 191,3  | 13          |          |
| 901401  | M20 | 99         | 52,3   | 17          | 25.000   |
| 901402  |     | 129        | 82,3   | 17          |          |
| 901403  |     | 159        | 112,3  | 17          |          |
| 901404  |     | 189        | 142,3  | 17          |          |
| 901405  |     | 239        | 192,3  | 17          |          |
| 901406  |     | 299        | 252,3  | 17          |          |
| 901407  | M24 | 130        | 76     | 19          | 25.000   |
| 901408  |     | 160        | 106    | 19          |          |
| 901409  |     | 190        | 136    | 19          |          |
| 901410  |     | 240        | 186    | 19          |          |
| 901411  |     | 300        | 246    | 19          |          |
| 901412  | M30 | 160        | 106    | 24          | 25.000   |
| 901413  |     | 190        | 136    | 24          |          |
| 901414  |     | 240        | 186    | 24          |          |
| 901415  |     | 300        | 246    | 24          |          |
| 901416  |     | 350        | 296    | 24          |          |
| 901417  | M36 | 190        | 136    | 30          | 25.000   |
| 901418  |     | 240        | 186    | 30          |          |
| 901419  |     | 300        | 246    | 30          |          |
| 901420  |     | 350        | 296    | 30          |          |



## Ø 125

DIAMETER (mm)



ANTI-SLIP



SLIT VERSION

| Art-Nr. | Sp  | H Tot (mm) | L (mm) | Wrench (mm) | Load (N) |
|---------|-----|------------|--------|-------------|----------|
| 901421  | M20 | 99         | 52,3   | 17          | 30.000   |
| 901422  |     | 129        | 82,3   | 17          |          |
| 901423  |     | 159        | 112,3  | 17          |          |
| 901424  |     | 189        | 142,3  | 17          |          |
| 901425  |     | 239        | 192,3  | 17          |          |
| 901426  |     | 299        | 252,3  | 17          |          |
| 901427  | M24 | 130        | 76     | 19          | 30.000   |
| 901428  |     | 160        | 106    | 19          |          |
| 901429  |     | 190        | 136    | 19          |          |
| 901430  |     | 240        | 186    | 19          |          |
| 901431  |     | 300        | 246    | 19          |          |
| 901432  | M30 | 160        | 106    | 24          | 30.000   |
| 901433  |     | 190        | 136    | 24          |          |
| 901434  |     | 240        | 186    | 24          |          |
| 901435  |     | 300        | 246    | 24          |          |
| 901436  |     | 350        | 296    | 24          |          |
| 901437  | M36 | 190        | 136    | 30          | 30.000   |
| 901438  |     | 240        | 186    | 30          |          |
| 901439  |     | 300        | 246    | 30          |          |
| 901440  |     | 350        | 296    | 30          |          |

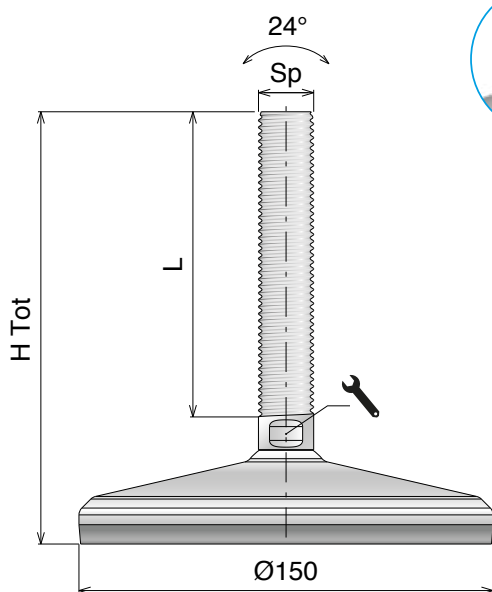
# S400 SPLIT

Piedi di livellamento / Leveling feet / Nivellierfüße

On request vulcanized rubber can be provided  
white or blue and spindle can be made in AISI 316.

## Materiale / Material / Materialien:

Base, stelo e rondella: Acciaio inox  
Base plate, spindle and washer: Stainless steel  
Fussplatte, Spindel und Scheibe: Edelstahl



## Ø 150

DIAMETER (mm)



ANTI-SLIP



SLIT VERSION

| Art-Nr. | Sp  | H Tot (mm) | L (mm) | Wrench (mm) | Load (N) |
|---------|-----|------------|--------|-------------|----------|
| 901441  | M20 | 99         | 52,3   | 17          | 45.000   |
| 901442  |     | 129        | 82,3   | 17          |          |
| 901443  |     | 159        | 112,3  | 17          |          |
| 901444  |     | 189        | 142,3  | 17          |          |
| 901445  |     | 239        | 192,3  | 17          |          |
| 901446  |     | 299        | 252,3  | 17          |          |
| 901447  | M24 | 130        | 76     | 19          | 45.000   |
| 901448  |     | 160        | 106    | 19          |          |
| 901449  |     | 190        | 136    | 19          |          |
| 901450  |     | 240        | 186    | 19          |          |
| 901451  |     | 300        | 246    | 19          |          |
| 901452  | M30 | 160        | 106    | 24          | 45.000   |
| 901453  |     | 190        | 136    | 24          |          |
| 901454  |     | 240        | 186    | 24          |          |
| 901455  |     | 300        | 246    | 24          |          |
| 901456  |     | 350        | 296    | 24          |          |
| 901457  | M36 | 190        | 136    | 30          | 45.000   |
| 901458  |     | 240        | 186    | 30          |          |
| 901459  |     | 300        | 246    | 30          |          |
| 901460  |     | 350        | 296    | 30          |          |



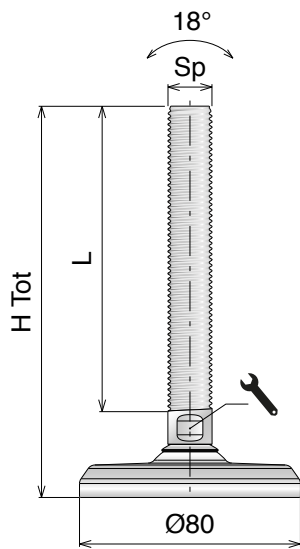
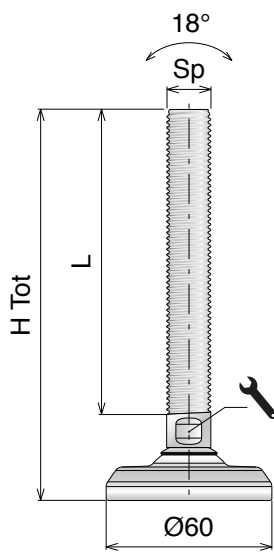
**Materiale / Material / Materialien:**

Base, stelo e rondella: Acciaio inox  
 Base plate, spindle and washer: Stainless steel  
 Fussplatte, Spindel und Scheibe: Edelstahl

On request spindle can be made in AISI 316.

# S400 HEAVY

Piedi di livellamento / Leveling feet / Nivellierfüße



## Ø60

DIAMETER (mm)



HIGH LOAD

| Art-Nr. | Sp  | H Tot (mm) | L (mm) | Wrench (mm) | Load (N) |
|---------|-----|------------|--------|-------------|----------|
| 901461  | M10 | 82,5       | 50,5   | 7           | 3.000    |
| 901462  |     | 112,5      | 80,5   | 7           |          |
| 901463  |     | 142,5      | 110,5  | 7           |          |
| 901464  | M12 | 82,5       | 50,8   | 10          | 12.000   |
| 901465  |     | 112,5      | 80,8   | 10          |          |
| 901466  |     | 142,5      | 110,8  | 10          |          |
| 901467  |     | 172,5      | 140,8  | 10          |          |
| 901468  | M16 | 82,5       | 51,3   | 13          | 30.000   |
| 901469  |     | 112,5      | 81,3   | 13          |          |
| 901470  |     | 142,5      | 111,3  | 13          |          |
| 901471  |     | 172,5      | 141,3  | 13          |          |
| 901472  |     | 222,5      | 191,3  | 13          |          |
| 901473  | M20 | 82,5       | 52,3   | 17          | 45.000   |
| 901474  |     | 112,5      | 82,3   | 17          |          |
| 901475  |     | 142,5      | 112,3  | 17          |          |
| 901476  |     | 172,5      | 142,3  | 17          |          |
| 901477  |     | 222,5      | 192,3  | 17          |          |
| 901478  |     | 282,5      | 252,3  | 17          |          |

## Ø80

DIAMETER (mm)



HIGH LOAD

| Art-Nr. | Sp  | H Tot (mm) | L (mm) | Wrench (mm) | Load (N) |
|---------|-----|------------|--------|-------------|----------|
| 901479  | M12 | 82,5       | 50,8   | 10          | 12.000   |
| 901480  |     | 112,5      | 80,8   | 10          |          |
| 901481  |     | 142,5      | 110,8  | 10          |          |
| 901482  |     | 172,5      | 140,8  | 10          |          |
| 901483  | M16 | 82,5       | 51,3   | 13          | 30.000   |
| 901484  |     | 112,5      | 81,3   | 13          |          |
| 901485  |     | 142,5      | 111,3  | 13          |          |
| 901486  |     | 172,5      | 141,3  | 13          |          |
| 901487  |     | 222,5      | 191,3  | 13          |          |
| 901488  | M20 | 82,5       | 52,3   | 17          | 45.000   |
| 901489  |     | 112,5      | 82,3   | 17          |          |
| 901490  |     | 142,5      | 112,3  | 17          |          |
| 901491  |     | 172,5      | 142,3  | 17          |          |
| 901492  |     | 222,5      | 192,3  | 17          |          |
| 901493  |     | 282,5      | 252,3  | 17          |          |
| 901494  | M24 | 112,5      | 76     | 19          | 70.000   |
| 901495  |     | 142,5      | 106    | 19          |          |
| 901496  |     | 172,5      | 136    | 19          |          |
| 901497  |     | 222,5      | 186    | 19          |          |
| 901498  |     | 282,5      | 246    | 19          |          |
| 901499  | M30 | 142,5      | 106    | 24          | 80.000   |
| 901500  |     | 172,5      | 136    | 24          |          |
| 901501  |     | 222,5      | 186    | 24          |          |
| 901502  |     | 282,5      | 246    | 24          |          |
| 901503  |     | 332,5      | 296    | 24          |          |

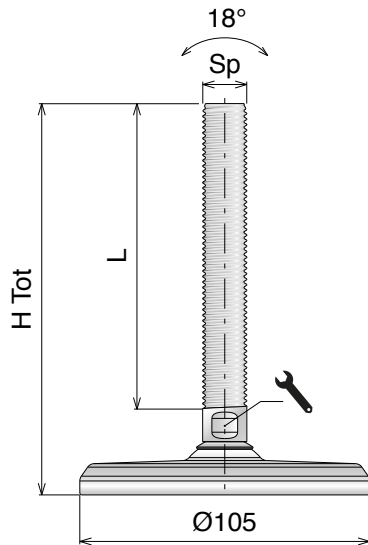
# S400 HEAVY

Piedi di livellamento / Leveling feet / Nivellierfüße

On request spindle can be made in AISI 316.

**Materiale / Material / Materialien:**

Base, stelo e rondella: Acciaio inox  
Base plate, spindle and washer: Stainless steel  
Fussplatte, Spindel und Scheibe: Edelstahl



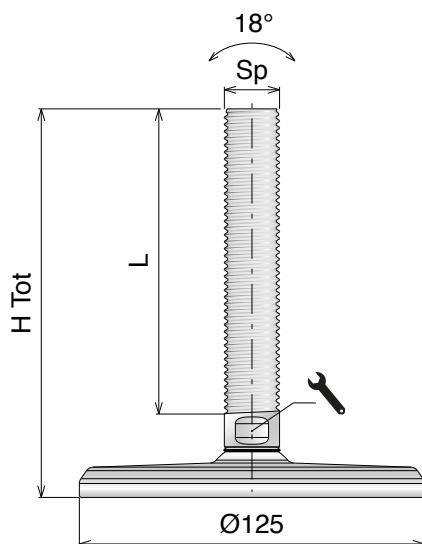
## Ø105

DIAMETER (mm)



HIGH LOAD

| Art-Nr. | Sp  | H Tot (mm) | L (mm) | Wrench (mm) | Load (N) |
|---------|-----|------------|--------|-------------|----------|
| 901504  | M16 | 82,5       | 51,3   | 13          | 30.000   |
| 901505  |     | 112,5      | 81,3   | 13          |          |
| 901506  |     | 142,5      | 111,3  | 13          |          |
| 901507  |     | 172,5      | 141,3  | 13          |          |
| 901508  |     | 222,5      | 191,3  | 13          |          |
| 901509  | M20 | 82,5       | 52,3   | 17          | 45.000   |
| 901510  |     | 112,5      | 82,3   | 17          |          |
| 901511  |     | 142,5      | 112,3  | 17          |          |
| 901512  |     | 172,5      | 142,3  | 17          |          |
| 901513  |     | 222,5      | 192,3  | 17          |          |
| 901514  |     | 282,5      | 252,3  | 17          |          |
| 901515  | M24 | 112,5      | 76     | 19          | 70.000   |
| 901516  |     | 142,5      | 106    | 19          |          |
| 901517  |     | 172,5      | 136    | 19          |          |
| 901518  |     | 222,5      | 186    | 19          |          |
| 901519  |     | 282,5      | 246    | 19          |          |
| 901520  | M30 | 142,5      | 106    | 24          | 100.000  |
| 901521  |     | 172,5      | 136    | 24          |          |
| 901522  |     | 222,5      | 186    | 24          |          |
| 901523  |     | 282,5      | 246    | 24          |          |
| 901524  |     | 332,5      | 296    | 24          |          |
| 901525  | M36 | 172,5      | 136    | 30          | 120.000  |
| 901526  |     | 222,5      | 186    | 30          |          |
| 901527  |     | 282,5      | 246    | 30          |          |
| 901528  |     | 332,5      | 296    | 30          |          |



## Ø125

DIAMETER (mm)



HIGH LOAD

| Art-Nr. | Sp  | H Tot (mm) | L (mm) | Wrench (mm) | Load (N) |
|---------|-----|------------|--------|-------------|----------|
| 901529  | M20 | 82,5       | 52,3   | 17          | 45.000   |
| 901530  |     | 112,5      | 82,3   | 17          |          |
| 901531  |     | 142,5      | 112,3  | 17          |          |
| 901532  |     | 172,5      | 142,3  | 17          |          |
| 901533  |     | 222,5      | 192,3  | 17          |          |
| 901534  |     | 282,5      | 252,3  | 17          |          |
| 901535  | M24 | 112,5      | 76     | 19          | 70.000   |
| 901536  |     | 142,5      | 106    | 19          |          |
| 901537  |     | 172,5      | 136    | 19          |          |
| 901538  |     | 222,5      | 186    | 19          |          |
| 901539  |     | 282,5      | 246    | 19          |          |
| 901540  | M30 | 142,5      | 106    | 24          | 100.000  |
| 901541  |     | 172,5      | 136    | 24          |          |
| 901542  |     | 222,5      | 186    | 24          |          |
| 901543  |     | 282,5      | 246    | 24          |          |
| 901544  |     | 332,5      | 296    | 24          |          |
| 901545  | M36 | 172,5      | 136    | 30          | 130.000  |
| 901546  |     | 222,5      | 186    | 30          |          |
| 901547  |     | 282,5      | 246    | 30          |          |
| 901548  |     | 332,5      | 296    | 30          |          |

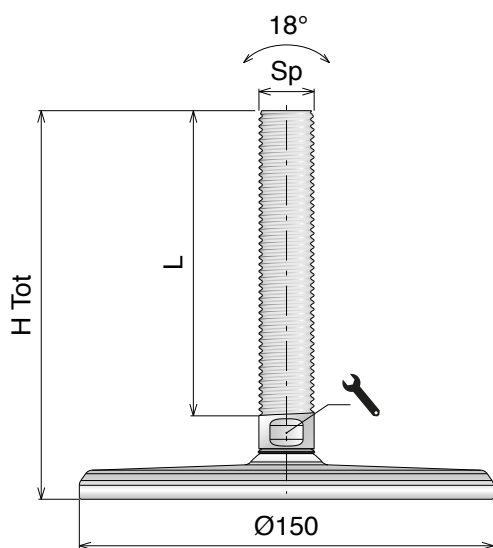
**Materiale / Material / Materialien:**

Base, stelo e rondella: Acciaio inox  
 Base plate, spindle and washer: Stainless steel  
 Fussplatte, Spindel und Scheibe: Edelstahl

On request vulcanized rubber can be provided  
 white or blue and spindle can be made in AISI 316.

# S400 HEAVY

Piedi di livellamento / Leveling feet / Nivellierfüße



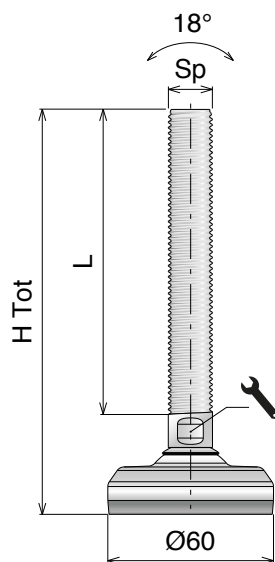
## Ø 150

DIAMETER (mm)



HIGH LOAD

| Art-Nr. | Sp  | H Tot (mm) | L (mm) | Wrench (mm) | Load (N) |
|---------|-----|------------|--------|-------------|----------|
| 901549  | M20 | 82,5       | 52,3   | 17          | 45.000   |
| 901550  |     | 112,5      | 82,3   | 17          |          |
| 901551  |     | 142,5      | 112,3  | 17          |          |
| 901552  |     | 172,5      | 142,3  | 17          |          |
| 901553  |     | 222,5      | 192,3  | 17          |          |
| 901554  |     | 282,5      | 252,3  | 17          |          |
| 901555  | M24 | 112,5      | 76     | 19          | 70.000   |
| 901556  |     | 142,5      | 106    | 19          |          |
| 901557  |     | 172,5      | 136    | 19          |          |
| 901558  |     | 222,5      | 186    | 19          |          |
| 901559  |     | 282,5      | 246    | 19          |          |
| 901560  | M30 | 142,5      | 106    | 24          | 100.000  |
| 901561  |     | 172,5      | 136    | 24          |          |
| 901562  |     | 222,5      | 186    | 24          |          |
| 901563  |     | 282,5      | 246    | 24          |          |
| 901564  |     | 332,5      | 296    | 24          |          |
| 901565  | M36 | 172,5      | 136    | 30          | 150.000  |
| 901566  |     | 222,5      | 186    | 30          |          |
| 901567  |     | 282,5      | 246    | 30          |          |
| 901568  |     | 332,5      | 296    | 30          |          |



## Ø 60

DIAMETER (mm)



HIGH LOAD



ANTI-SLIP

| Art-Nr. | Sp  | H Tot (mm) | L (mm) | Wrench (mm) | Load (N) |
|---------|-----|------------|--------|-------------|----------|
| 901569  | M10 | 87,5       | 50,5   | 7           | 3.000    |
| 901570  |     | 117,5      | 80,5   | 7           |          |
| 901571  |     | 147,5      | 110,5  | 7           |          |
| 901572  | M12 | 88,5       | 50,8   | 10          | 12.000   |
| 901573  |     | 118,5      | 80,8   | 10          |          |
| 901574  |     | 148,5      | 110,8  | 10          |          |
| 901575  |     | 178,5      | 140,8  | 10          |          |
| 901576  | M16 | 88,5       | 51,3   | 13          | 30.000   |
| 901577  |     | 118,5      | 81,3   | 13          |          |
| 901578  |     | 148,5      | 111,3  | 13          |          |
| 901579  |     | 178,5      | 141,3  | 13          |          |
| 901580  |     | 228,5      | 191,3  | 13          |          |
| 901581  | M20 | 88,5       | 52,3   | 17          | 45.000   |
| 901582  |     | 118,5      | 82,3   | 17          |          |
| 901583  |     | 148,5      | 112,3  | 17          |          |
| 901584  |     | 178,5      | 142,3  | 17          |          |
| 901585  |     | 228,5      | 192,3  | 17          |          |
| 901586  |     | 288,5      | 252,3  | 17          |          |

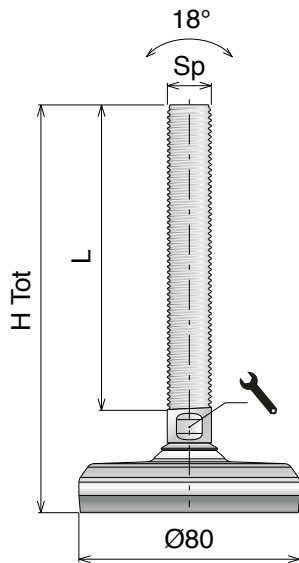
# S400 HEAVY

Piedi di livellamento / Leveling feet / Nivellierfüße

On request vulcanized rubber can be provided  
white or blue and spindle can be made in AISI 316.

**Materiale / Material / Materialien:**

Base, stelo e rondella: Acciaio inox  
Base plate, spindle and washer: Stainless steel  
Fussplatte, Spindel und Scheibe: Edelstahl



## Ø 80

DIAMETER (mm)

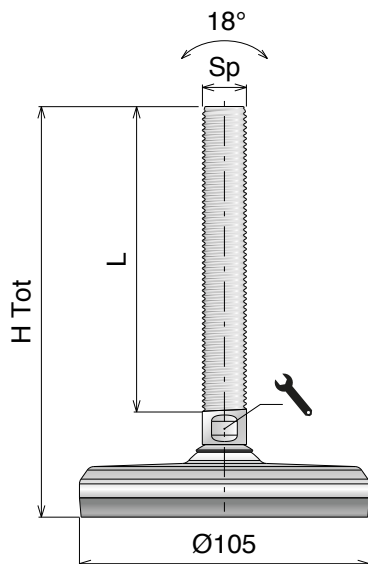


HIGH LOAD



ANTI-SLIP

| Art-Nr. | Sp  | H Tot (mm) | L (mm) | Wrench (mm) | Load (N) |
|---------|-----|------------|--------|-------------|----------|
| 901587  | M12 | 88,5       | 50,8   | 10          | 12.000   |
| 901588  |     | 118,5      | 80,8   | 10          |          |
| 901589  |     | 148,5      | 110,8  | 10          |          |
| 901590  |     | 178,5      | 140,8  | 10          |          |
| 901591  | M16 | 88,5       | 51,3   | 13          | 30.000   |
| 901592  |     | 118,5      | 81,3   | 13          |          |
| 901593  |     | 148,5      | 111,3  | 13          |          |
| 901594  |     | 178,5      | 141,3  | 13          |          |
| 901595  |     | 228,5      | 191,3  | 13          |          |
| 901596  | M20 | 88,5       | 52,3   | 17          | 45.000   |
| 901597  |     | 118,5      | 82,3   | 17          |          |
| 901598  |     | 148,5      | 112,3  | 17          |          |
| 901599  |     | 178,5      | 142,3  | 17          |          |
| 901600  |     | 228,5      | 192,3  | 17          |          |
| 901601  |     | 288,5      | 252,3  | 17          |          |
| 901602  | M24 | 118,5      | 76     | 19          | 70.000   |
| 901603  |     | 148,5      | 106    | 19          |          |
| 901604  |     | 178,5      | 136    | 19          |          |
| 901605  |     | 228,5      | 186    | 19          |          |
| 901606  |     | 288,5      | 246    | 19          |          |
| 901607  | M30 | 148,5      | 106    | 24          | 80.000   |
| 901608  |     | 178,5      | 136    | 24          |          |
| 901609  |     | 228,5      | 186    | 24          |          |
| 901610  |     | 288,5      | 246    | 24          |          |
| 901611  |     | 338,5      | 296    | 24          |          |



## Ø 105

DIAMETER (mm)



HIGH LOAD



ANTI-SLIP

| Art-Nr. | Sp  | H Tot (mm) | L (mm) | Wrench (mm) | Load (N) |
|---------|-----|------------|--------|-------------|----------|
| 901612  | M16 | 88,5       | 51,3   | 13          | 30.000   |
| 901613  |     | 118,5      | 81,3   | 13          |          |
| 901614  |     | 148,5      | 111,3  | 13          |          |
| 901615  |     | 178,5      | 141,3  | 13          |          |
| 901616  |     | 228,5      | 191,3  | 13          |          |
| 901617  | M20 | 88,5       | 52,3   | 17          | 45.000   |
| 901618  |     | 118,5      | 82,3   | 17          |          |
| 901619  |     | 148,5      | 112,3  | 17          |          |
| 901620  |     | 178,5      | 142,3  | 17          |          |
| 901621  |     | 228,5      | 192,3  | 17          |          |
| 901622  |     | 288,5      | 252,3  | 17          |          |
| 901623  | M24 | 118,5      | 76     | 19          | 70.000   |
| 901624  |     | 148,5      | 106    | 19          |          |
| 901625  |     | 178,5      | 136    | 19          |          |
| 901626  |     | 228,5      | 186    | 19          |          |
| 901627  |     | 288,5      | 246    | 19          |          |
| 901628  | M30 | 148,5      | 106    | 24          | 100.000  |
| 901629  |     | 178,5      | 136    | 24          |          |
| 901630  |     | 228,5      | 186    | 24          |          |
| 901631  |     | 288,5      | 246    | 24          |          |
| 901632  |     | 338,5      | 296    | 24          |          |
| 901633  | M36 | 178,5      | 136    | 30          | 120.000  |
| 901634  |     | 228,5      | 186    | 30          |          |
| 901635  |     | 288,5      | 246    | 30          |          |
| 901636  |     | 338,5      | 296    | 30          |          |

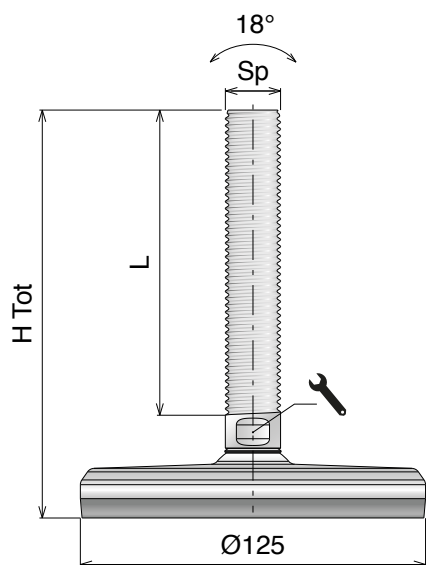
**Materiale / Material / Materialien:**

Base, stelo e rondella: Acciaio inox  
 Base plate, spindle and washer: Stainless steel  
 Fussplatte, Spindel und Scheibe: Edelstahl

On request vulcanized rubber can be provided  
 white or blue and spindle can be made in AISI 316.

# S400 HEAVY

Piedi di livellamento / Leveling feet / Nivellierfüße



**Ø 125**  
 DIAMETER (mm)

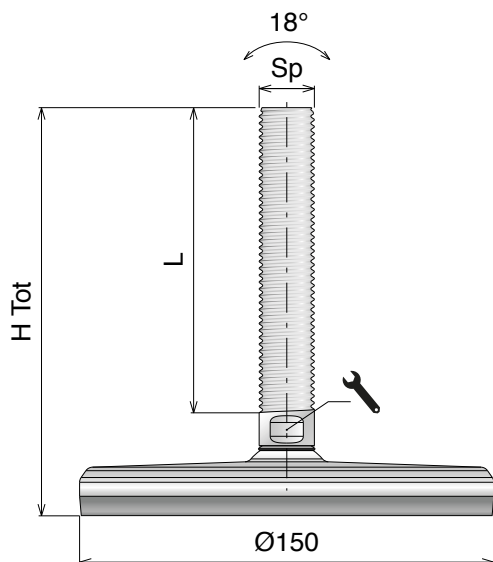


HIGH LOAD



ANTI-SLIP

| Art-Nr. | Sp  | H Tot (mm) | L (mm) | Wrench (mm) | Load (N) |
|---------|-----|------------|--------|-------------|----------|
| 901637  | M20 | 88,5       | 52,3   | 17          | 45.000   |
| 901638  |     | 118,5      | 82,3   | 17          |          |
| 901639  |     | 148,5      | 112,3  | 17          |          |
| 901640  |     | 178,5      | 142,3  | 17          |          |
| 901641  |     | 228,5      | 192,3  | 17          |          |
| 901642  |     | 288,5      | 252,3  | 17          |          |
| 901643  | M24 | 118,5      | 76     | 19          | 70.000   |
| 901644  |     | 148,5      | 106    | 19          |          |
| 901645  |     | 178,5      | 136    | 19          |          |
| 901646  |     | 228,5      | 186    | 19          |          |
| 901647  |     | 288,5      | 246    | 19          |          |
| 901648  | M30 | 148,5      | 106    | 24          | 100.000  |
| 901649  |     | 178,5      | 136    | 24          |          |
| 901650  |     | 228,5      | 186    | 24          |          |
| 901651  |     | 288,5      | 246    | 24          |          |
| 901652  |     | 338,5      | 296    | 24          |          |
| 901653  | M36 | 178,5      | 136    | 30          | 130.000  |
| 901654  |     | 228,5      | 186    | 30          |          |
| 901655  |     | 288,5      | 246    | 30          |          |
| 901656  |     | 338,5      | 296    | 30          |          |



**Ø 150**  
 DIAMETER (mm)



HIGH LOAD



ANTI-SLIP

| Art-Nr. | Sp  | H Tot (mm) | L (mm) | Wrench (mm) | Load (N) |
|---------|-----|------------|--------|-------------|----------|
| 901657  | M20 | 88,5       | 52,3   | 17          | 45.000   |
| 901658  |     | 118,5      | 82,3   | 17          |          |
| 901659  |     | 148,5      | 112,3  | 17          |          |
| 901660  |     | 178,5      | 142,3  | 17          |          |
| 901661  |     | 228,5      | 192,3  | 17          |          |
| 901662  |     | 288,5      | 252,3  | 17          |          |
| 901663  | M24 | 118,5      | 76     | 19          | 70.000   |
| 901664  |     | 148,5      | 106    | 19          |          |
| 901665  |     | 178,5      | 136    | 19          |          |
| 901666  |     | 228,5      | 186    | 19          |          |
| 901667  |     | 288,5      | 246    | 19          |          |
| 901668  | M30 | 148,5      | 106    | 24          | 100.000  |
| 901669  |     | 178,5      | 136    | 24          |          |
| 901670  |     | 228,5      | 186    | 24          |          |
| 901671  |     | 288,5      | 246    | 24          |          |
| 901672  |     | 338,5      | 296    | 24          |          |
| 901673  | M36 | 178,5      | 136    | 30          | 150.000  |
| 901674  |     | 228,5      | 186    | 30          |          |
| 901675  |     | 288,5      | 246    | 30          |          |
| 901676  |     | 338,5      | 296    | 30          |          |

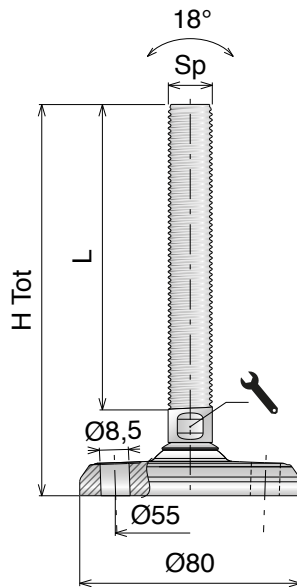
# S400 HEAVY

Piedi di livellamento / Leveling feet / Nivellierfüße

On request spindle can be made in AISI 316.

**Materiale / Material / Materialien:**

Base, stelo e rondella: Acciaio inox  
Base plate, spindle and washer: Stainless steel  
Fussplatte, Spindel und Scheibe: Edelstahl



## Ø 80

DIAMETER (mm)

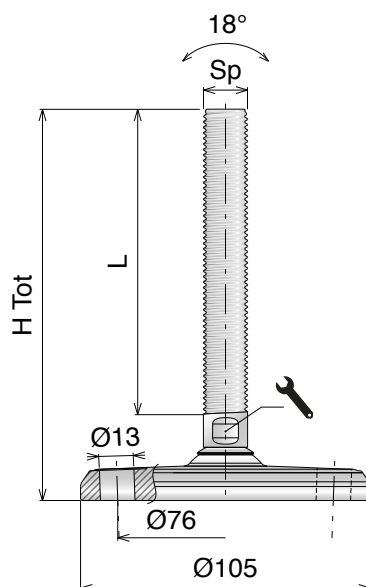


HIGH LOAD



FIXING POINT

| Art-Nr. | Sp  | H Tot (mm) | L (mm) | Wrench (mm) | Load (N) |
|---------|-----|------------|--------|-------------|----------|
| 901695  | M12 | 82,5       | 50,8   | 10          | 12.000   |
| 901696  |     | 112,5      | 80,8   | 10          |          |
| 901697  |     | 142,5      | 110,8  | 10          |          |
| 901698  |     | 172,5      | 140,8  | 10          |          |
| 901699  | M16 | 82,5       | 51,3   | 13          | 30.000   |
| 901700  |     | 112,5      | 81,3   | 13          |          |
| 901701  |     | 142,5      | 111,3  | 13          |          |
| 901702  |     | 172,5      | 141,3  | 13          |          |
| 901703  |     | 222,5      | 191,3  | 13          |          |
| 901704  | M20 | 82,5       | 52,3   | 17          | 45.000   |
| 901705  |     | 112,5      | 82,3   | 17          |          |
| 901706  |     | 142,5      | 112,3  | 17          |          |
| 901707  |     | 172,5      | 142,3  | 17          |          |
| 901708  |     | 222,5      | 192,3  | 17          |          |
| 901709  |     | 282,5      | 252,3  | 17          |          |
| 901710  | M24 | 112,5      | 76     | 19          | 70.000   |
| 901711  |     | 142,5      | 106    | 19          |          |
| 901712  |     | 172,5      | 136    | 19          |          |
| 901713  |     | 222,5      | 186    | 19          |          |
| 901714  |     | 282,5      | 246    | 19          |          |
| 901715  | M30 | 142,5      | 106    | 24          | 80.000   |
| 901716  |     | 172,5      | 136    | 24          |          |
| 901717  |     | 222,5      | 186    | 24          |          |
| 901718  |     | 282,5      | 246    | 24          |          |
| 901719  |     | 332,5      | 296    | 24          |          |



## Ø 105

DIAMETER (mm)



HIGH LOAD



FIXING POINT

| Art-Nr. | Sp  | H Tot (mm) | L (mm) | Wrench (mm) | Load (N) |
|---------|-----|------------|--------|-------------|----------|
| 901720  | M16 | 82,5       | 51,3   | 13          | 30.000   |
| 901721  |     | 112,5      | 81,3   | 13          |          |
| 901722  |     | 142,5      | 111,3  | 13          |          |
| 901723  |     | 172,5      | 141,3  | 13          |          |
| 901724  |     | 222,5      | 191,3  | 13          |          |
| 901725  | M20 | 82,5       | 52,3   | 17          | 45.000   |
| 901726  |     | 112,5      | 82,3   | 17          |          |
| 901727  |     | 142,5      | 112,3  | 17          |          |
| 901728  |     | 172,5      | 142,3  | 17          |          |
| 901729  |     | 222,5      | 192,3  | 17          |          |
| 901730  |     | 282,5      | 252,3  | 17          |          |
| 901731  | M24 | 112,5      | 76     | 19          | 70.000   |
| 901732  |     | 142,5      | 106    | 19          |          |
| 901733  |     | 172,5      | 136    | 19          |          |
| 901734  |     | 222,5      | 186    | 19          |          |
| 901735  |     | 282,5      | 246    | 19          |          |
| 901736  | M30 | 142,5      | 106    | 24          | 100.000  |
| 901737  |     | 172,5      | 136    | 24          |          |
| 901738  |     | 222,5      | 186    | 24          |          |
| 901739  |     | 282,5      | 246    | 24          |          |
| 901740  |     | 332,5      | 296    | 24          |          |
| 901741  | M36 | 172,5      | 136    | 30          | 120.000  |
| 901742  |     | 222,5      | 186    | 30          |          |
| 901743  |     | 282,5      | 246    | 30          |          |
| 901744  |     | 332,5      | 296    | 30          |          |

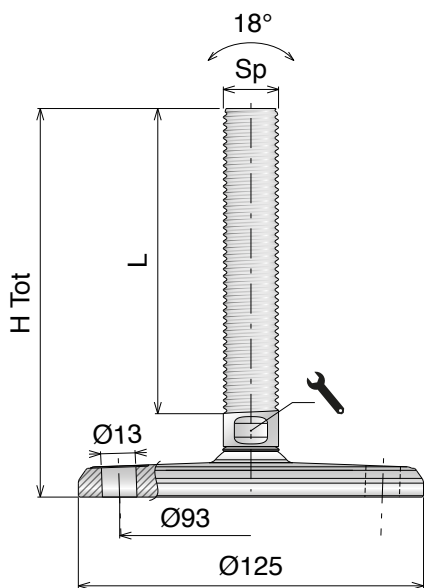
**Materiale / Material / Materialien:**

Base, stelo e rondella: Acciaio inox  
 Base plate, spindle and washer: Stainless steel  
 Fussplatte, Spindel und Scheibe: Edelstahl

On request spindle can be made in AISI 316.

# S400 HEAVY

Piedi di livellamento / Leveling feet / Nivellierfüße



## Ø 125

DIAMETER (mm)

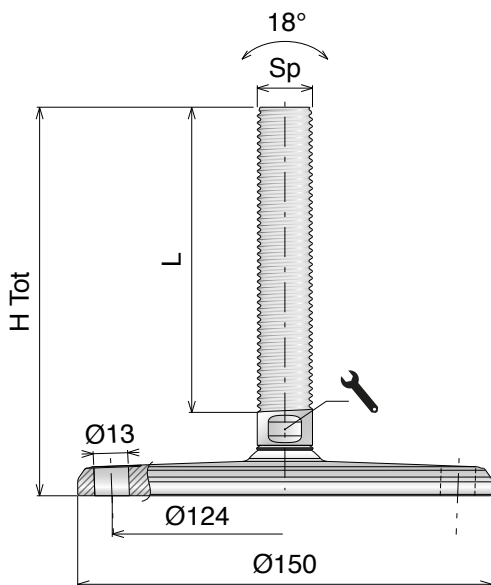


HIGH LOAD



FIXING POINT

| Art-Nr. | Sp  | H Tot (mm) | L (mm) | Wrench (mm) | Load (N) |
|---------|-----|------------|--------|-------------|----------|
| 901745  | M20 | 82,5       | 52,3   | 17          | 45.000   |
| 901746  |     | 112,5      | 82,3   | 17          |          |
| 901747  |     | 142,5      | 112,3  | 17          |          |
| 901748  |     | 172,5      | 142,3  | 17          |          |
| 901749  |     | 222,5      | 192,3  | 17          |          |
| 901750  |     | 282,5      | 252,3  | 17          |          |
| 901751  | M24 | 112,5      | 76     | 19          | 70.000   |
| 901752  |     | 142,5      | 106    | 19          |          |
| 901753  |     | 172,5      | 136    | 19          |          |
| 901754  |     | 222,5      | 186    | 19          |          |
| 901755  |     | 282,5      | 246    | 19          |          |
| 901756  | M30 | 142,5      | 106    | 24          | 100.000  |
| 901757  |     | 172,5      | 136    | 24          |          |
| 901758  |     | 222,5      | 186    | 24          |          |
| 901759  |     | 282,5      | 246    | 24          |          |
| 901760  |     | 332,5      | 296    | 24          |          |
| 901761  | M36 | 172,5      | 136    | 30          | 130.000  |
| 901762  |     | 222,5      | 186    | 30          |          |
| 901763  |     | 282,5      | 246    | 30          |          |
| 901764  |     | 332,5      | 296    | 30          |          |



## Ø 150

DIAMETER (mm)



HIGH LOAD



FIXING POINT

| Art-Nr. | Sp  | H Tot (mm) | L (mm) | Wrench (mm) | Load (N) |
|---------|-----|------------|--------|-------------|----------|
| 901765  | M20 | 82,5       | 52,3   | 17          | 45.000   |
| 901766  |     | 112,5      | 82,3   | 17          |          |
| 901767  |     | 142,5      | 112,3  | 17          |          |
| 901768  |     | 172,5      | 142,3  | 17          |          |
| 901769  |     | 222,5      | 192,3  | 17          |          |
| 901770  |     | 282,5      | 252,3  | 17          |          |
| 901771  | M24 | 112,5      | 76     | 19          | 70.000   |
| 901772  |     | 142,5      | 106    | 19          |          |
| 901773  |     | 172,5      | 136    | 19          |          |
| 901774  |     | 222,5      | 186    | 19          |          |
| 901775  |     | 282,5      | 246    | 19          |          |
| 901776  | M30 | 142,5      | 106    | 24          | 100.000  |
| 901777  |     | 172,5      | 136    | 24          |          |
| 901778  |     | 222,5      | 186    | 24          |          |
| 901779  |     | 282,5      | 246    | 24          |          |
| 901780  |     | 332,5      | 296    | 24          |          |
| 901781  | M36 | 172,5      | 136    | 30          | 150.000  |
| 901782  |     | 222,5      | 186    | 30          |          |
| 901783  |     | 282,5      | 246    | 30          |          |
| 901784  |     | 332,5      | 296    | 30          |          |

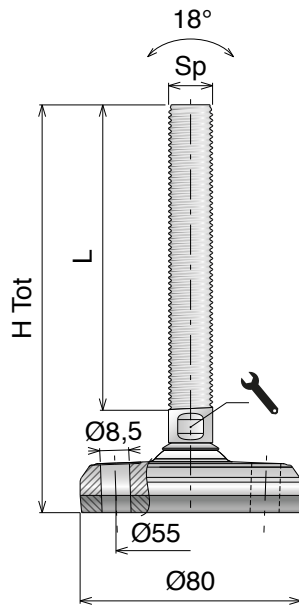
# S400 HEAVY

Piedi di livellamento / Leveling feet / Nivellierfüße

On request vulcanized rubber can be provided  
white or blue and spindle can be made in AISI 316.

**Materiale / Material / Materialien:**

Base, stelo e rondella: Acciaio inox  
Base plate, spindle and washer: Stainless steel  
Fussplatte, Spindel und Scheibe: Edelstahl



## Ø 80

DIAMETER (mm)



HIGH LOAD

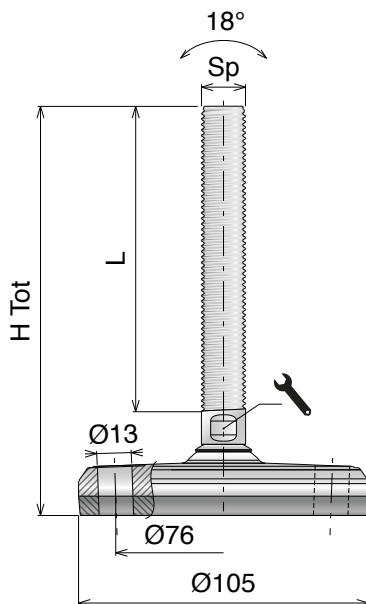


FIXING POINT



ANTI-SLIP

| Art-Nr. | Sp    | H Tot (mm) | L (mm) | Wrench (mm) | Load (N) |
|---------|-------|------------|--------|-------------|----------|
| 901803  | M12   | 88,5       | 50,8   | 10          | 12.000   |
| 901804  |       | 118,5      | 80,8   | 10          |          |
| 901805  |       | 148,5      | 110,8  | 10          |          |
| 901806  |       | 178,5      | 140,8  | 10          |          |
| 901807  | M16   | 88,5       | 51,3   | 13          | 30.000   |
| 901808  |       | 118,5      | 81,3   | 13          |          |
| 901809  |       | 148,5      | 111,3  | 13          |          |
| 901810  |       | 178,5      | 141,3  | 13          |          |
| 901811  | 228,5 | 191,3      | 13     |             |          |
| 901812  | M20   | 88,5       | 52,3   | 17          | 45.000   |
| 901813  |       | 118,5      | 82,3   | 17          |          |
| 901814  |       | 148,5      | 112,3  | 17          |          |
| 901815  |       | 178,5      | 142,3  | 17          |          |
| 901816  |       | 228,5      | 192,3  | 17          |          |
| 901817  |       | 288,5      | 252,3  | 17          |          |
| 901818  | M24   | 118,5      | 76     | 19          | 70.000   |
| 901819  |       | 148,5      | 106    | 19          |          |
| 901820  |       | 178,5      | 136    | 19          |          |
| 901821  |       | 228,5      | 186    | 19          |          |
| 901822  |       | 288,5      | 246    | 19          |          |
| 901823  | M30   | 148,5      | 106    | 24          | 80.000   |
| 901824  |       | 178,5      | 136    | 24          |          |
| 901825  |       | 228,5      | 186    | 24          |          |
| 901826  |       | 288,5      | 246    | 24          |          |
| 901827  |       | 338,5      | 296    | 24          |          |



## Ø 105

DIAMETER (mm)



HIGH LOAD



FIXING POINT



ANTI-SLIP

| Art-Nr. | Sp  | H Tot (mm) | L (mm) | Wrench (mm) | Load (N) |
|---------|-----|------------|--------|-------------|----------|
| 901828  | M16 | 88,5       | 51,3   | 13          | 30.000   |
| 901829  |     | 118,5      | 81,3   | 13          |          |
| 901830  |     | 148,5      | 111,3  | 13          |          |
| 901831  |     | 178,5      | 141,3  | 13          |          |
| 901832  |     | 228,5      | 191,3  | 13          |          |
| 901833  | M20 | 88,5       | 52,3   | 17          | 45.000   |
| 901834  |     | 118,5      | 82,3   | 17          |          |
| 901835  |     | 148,5      | 112,3  | 17          |          |
| 901836  |     | 178,5      | 142,3  | 17          |          |
| 901837  |     | 228,5      | 192,3  | 17          |          |
| 901838  |     | 288,5      | 252,3  | 17          |          |
| 901839  | M24 | 118,5      | 76     | 19          | 70.000   |
| 901840  |     | 148,5      | 106    | 19          |          |
| 901841  |     | 178,5      | 136    | 19          |          |
| 901842  |     | 228,5      | 186    | 19          |          |
| 901843  |     | 288,5      | 246    | 19          |          |
| 901844  | M30 | 148,5      | 106    | 24          | 100.000  |
| 901845  |     | 178,5      | 136    | 24          |          |
| 901846  |     | 228,5      | 186    | 24          |          |
| 901847  |     | 288,5      | 246    | 24          |          |
| 901848  |     | 338,5      | 296    | 24          |          |
| 901849  | M36 | 178,5      | 136    | 30          | 120.000  |
| 901850  |     | 228,5      | 186    | 30          |          |
| 901851  |     | 288,5      | 246    | 30          |          |
| 901852  |     | 338,5      | 296    | 30          |          |



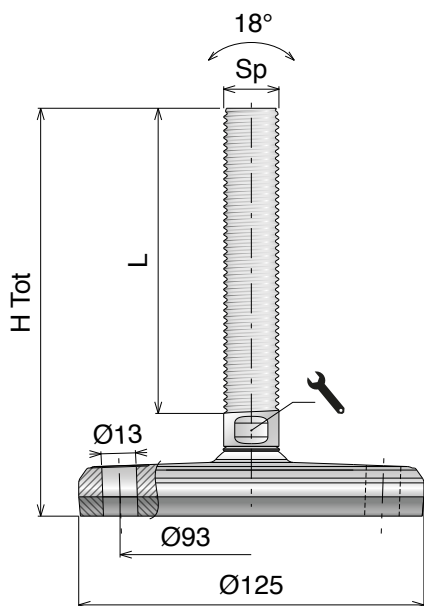
**Materiale / Material / Materialien:**

Base, stelo e rondella: Acciaio inox  
 Base plate, spindle and washer: Stainless steel  
 Fussplatte, Spindel und Scheibe: Edelstahl

On request vulcanized rubber can be provided  
 white or blue and spindle can be made in AISI 316.

# S400 HEAVY

Piedi di livellamento / Leveling feet / Nivellierfüße



Ø 125

DIAMETER (mm)



HIGH LOAD

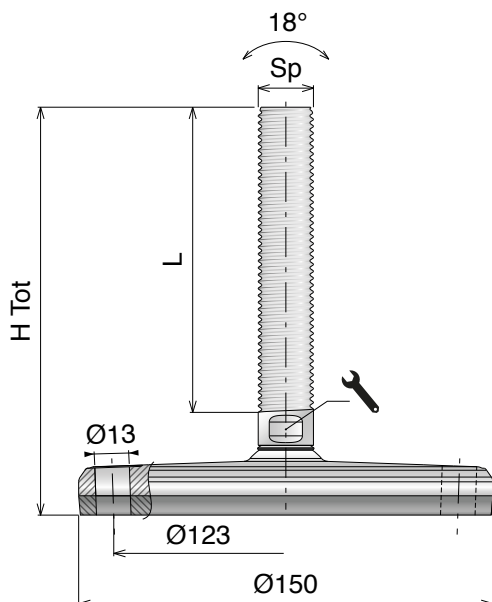


FIXING POINT



ANTI-SLIP

| Art-Nr. | Sp  | H Tot (mm) | L (mm) | Wrench (mm) | Load (N) |
|---------|-----|------------|--------|-------------|----------|
| 901853  | M20 | 88,5       | 52,3   | 17          | 45.000   |
| 901854  |     | 118,5      | 82,3   | 17          |          |
| 901855  |     | 148,5      | 112,3  | 17          |          |
| 901856  |     | 178,5      | 142,3  | 17          |          |
| 901857  |     | 228,5      | 192,3  | 17          |          |
| 901858  |     | 288,5      | 252,3  | 17          |          |
| 901859  | M24 | 118,5      | 76     | 19          | 70.000   |
| 901860  |     | 148,5      | 106    | 19          |          |
| 901861  |     | 178,5      | 136    | 19          |          |
| 901862  |     | 228,5      | 186    | 19          |          |
| 901863  |     | 288,5      | 246    | 19          |          |
| 901864  | M30 | 148,5      | 106    | 24          | 100.000  |
| 901865  |     | 178,5      | 136    | 24          |          |
| 901866  |     | 228,5      | 186    | 24          |          |
| 901867  |     | 288,5      | 246    | 24          |          |
| 901868  |     | 338,5      | 296    | 24          |          |
| 901869  | M36 | 178,5      | 136    | 30          | 130.000  |
| 901870  |     | 228,5      | 186    | 30          |          |
| 901871  |     | 288,5      | 246    | 30          |          |
| 901872  |     | 338,5      | 296    | 30          |          |



Ø 150

DIAMETER (mm)



HIGH LOAD



FIXING POINT



ANTI-SLIP

| Art-Nr. | Sp  | H Tot (mm) | L (mm) | Wrench (mm) | Load (N) |
|---------|-----|------------|--------|-------------|----------|
| 901873  | M20 | 88,5       | 52,3   | 17          | 45.000   |
| 901874  |     | 118,5      | 82,3   | 17          |          |
| 901875  |     | 148,5      | 112,3  | 17          |          |
| 901876  |     | 178,5      | 142,3  | 17          |          |
| 901877  |     | 228,5      | 192,3  | 17          |          |
| 901878  |     | 288,5      | 252,3  | 17          |          |
| 901879  | M24 | 118,5      | 76     | 19          | 70.000   |
| 901880  |     | 148,5      | 106    | 19          |          |
| 901881  |     | 178,5      | 136    | 19          |          |
| 901882  |     | 228,5      | 186    | 19          |          |
| 901883  |     | 288,5      | 246    | 19          |          |
| 901884  | M30 | 148,5      | 106    | 24          | 100.000  |
| 901885  |     | 178,5      | 136    | 24          |          |
| 901886  |     | 228,5      | 186    | 24          |          |
| 901887  |     | 288,5      | 246    | 24          |          |
| 901888  |     | 338,5      | 296    | 24          |          |
| 901889  | M36 | 178,5      | 136    | 30          | 150.000  |
| 901890  |     | 228,5      | 186    | 30          |          |
| 901891  |     | 288,5      | 246    | 30          |          |
| 901892  |     | 338,5      | 296    | 30          |          |

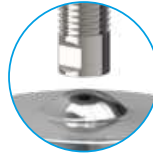
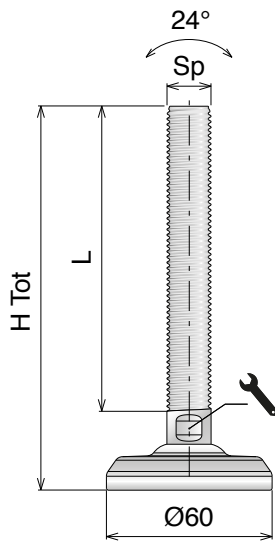
# S400 HEAVY-SPLIT

Piedi di livellamento / Leveling feet / Nivellierfüße

On request spindle can be made in AISI 316.

Material / Material / Materialien:

Base e stelo: Acciaio inox  
Base plate and spindle: Stainless steel  
Fussplatte und Spindel: Edelstahl



## Ø 60

DIAMETER (mm)

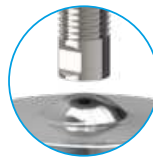
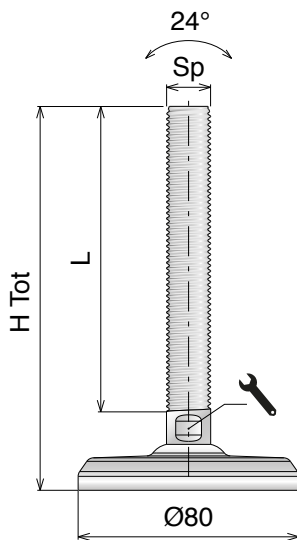


HIGH LOAD



SLIT VERSION

| Art-Nr. | Sp  | H Tot (mm) | L (mm) | Wrench (mm) | Load (N) |
|---------|-----|------------|--------|-------------|----------|
| 901893  | M10 | 81,5       | 50,5   | 7           | 3.000    |
| 901894  |     | 111,5      | 80,5   | 7           |          |
| 901895  |     | 141,5      | 110,5  | 7           |          |
| 901896  | M12 | 81,5       | 50,8   | 10          | 12.000   |
| 901897  |     | 111,5      | 80,8   | 10          |          |
| 901898  |     | 141,5      | 110,8  | 10          |          |
| 901899  |     | 171,5      | 140,8  | 10          |          |
| 901900  | M16 | 81,5       | 51,3   | 13          | 30.000   |
| 901901  |     | 111,5      | 81,3   | 13          |          |
| 901902  |     | 141,5      | 111,3  | 13          |          |
| 901903  |     | 171,5      | 141,3  | 13          |          |
| 901904  |     | 221,5      | 191,3  | 13          |          |
| 901905  | M20 | 81,5       | 52,3   | 17          | 45.000   |
| 901906  |     | 111,5      | 82,3   | 17          |          |
| 901907  |     | 141,5      | 112,3  | 17          |          |
| 901908  |     | 171,5      | 142,3  | 17          |          |
| 901909  |     | 221,5      | 192,3  | 17          |          |
| 901910  |     | 281,5      | 252,3  | 17          |          |



## Ø 80

DIAMETER (mm)



HIGH LOAD



SLIT VERSION

| Art-Nr. | Sp  | H Tot (mm) | L (mm) | Wrench (mm) | Load (N) |
|---------|-----|------------|--------|-------------|----------|
| 901911  | M12 | 81,5       | 50,8   | 10          | 12.000   |
| 901912  |     | 111,5      | 80,8   | 10          |          |
| 901913  |     | 141,5      | 110,8  | 10          |          |
| 901914  |     | 171,5      | 140,8  | 10          |          |
| 901915  | M16 | 81,5       | 51,3   | 13          | 30.000   |
| 901916  |     | 111,5      | 81,3   | 13          |          |
| 901917  |     | 141,5      | 111,3  | 13          |          |
| 901918  |     | 171,5      | 141,3  | 13          |          |
| 901919  |     | 221,5      | 191,3  | 13          |          |
| 901920  | M20 | 81,5       | 52,3   | 17          | 45.000   |
| 901921  |     | 111,5      | 82,3   | 17          |          |
| 901922  |     | 141,5      | 112,3  | 17          |          |
| 901923  |     | 171,5      | 142,3  | 17          |          |
| 901924  |     | 221,5      | 192,3  | 17          |          |
| 901925  |     | 281,5      | 252,3  | 17          |          |
| 901926  | M24 | 111,5      | 76     | 19          | 70.000   |
| 901927  |     | 141,5      | 106    | 19          |          |
| 901928  |     | 171,5      | 136    | 19          |          |
| 901929  |     | 221,5      | 186    | 19          |          |
| 901930  |     | 281,5      | 246    | 19          |          |
| 901931  | M30 | 141,5      | 106    | 24          | 80.000   |
| 901932  |     | 171,5      | 136    | 24          |          |
| 901933  |     | 221,5      | 186    | 24          |          |
| 901934  |     | 281,5      | 246    | 24          |          |
| 901935  |     | 331,5      | 296    | 24          |          |

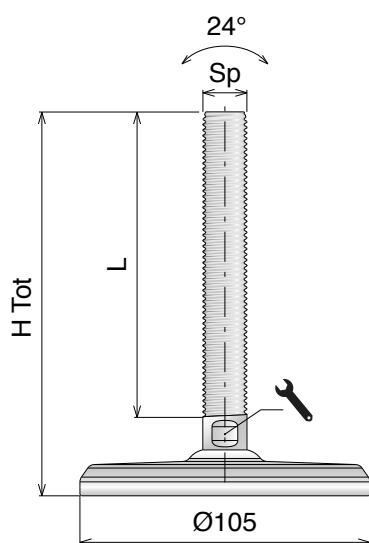
**Materiale / Material / Materialien:**

Base e stelo: Acciaio inox  
 Base plate and spindle: Stainless steel  
 Fussplatte und Spindel: Edelstahl

On request spindle can be made in AISI 316.

# S400 HEAVY-SPLIT

Piedi di livellamento / Leveling feet / Nivellierfüße



## Ø 105

DIAMETER (mm)

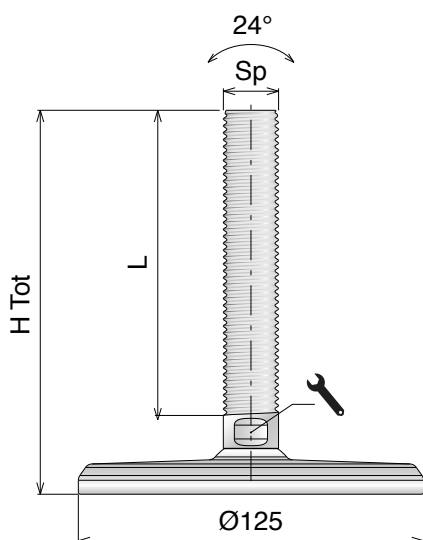


HIGH LOAD



SLIT VERSION

| Art-Nr. | Sp  | H Tot (mm) | L (mm) | Wrench (mm) | Load (N) |
|---------|-----|------------|--------|-------------|----------|
| 901936  | M16 | 81,5       | 51,3   | 13          | 30.000   |
| 901937  |     | 111,5      | 81,3   | 13          |          |
| 901938  |     | 141,5      | 111,3  | 13          |          |
| 901939  |     | 171,5      | 141,3  | 13          |          |
| 901940  |     | 221,5      | 191,3  | 13          |          |
| 901941  | M20 | 81,5       | 52,3   | 17          | 45.000   |
| 901942  |     | 111,5      | 82,3   | 17          |          |
| 901943  |     | 141,5      | 112,3  | 17          |          |
| 901944  |     | 171,5      | 142,3  | 17          |          |
| 901945  |     | 221,5      | 192,3  | 17          |          |
| 901946  |     | 281,5      | 252,3  | 17          |          |
| 901947  | M24 | 111,5      | 76     | 19          | 70.000   |
| 901948  |     | 141,5      | 106    | 19          |          |
| 901949  |     | 171,5      | 136    | 19          |          |
| 901950  |     | 221,5      | 186    | 19          |          |
| 901951  |     | 281,5      | 246    | 19          |          |
| 901952  | M30 | 141,5      | 106    | 24          | 100.000  |
| 901953  |     | 171,5      | 136    | 24          |          |
| 901954  |     | 221,5      | 186    | 24          |          |
| 901955  |     | 281,5      | 246    | 24          |          |
| 901956  |     | 331,5      | 296    | 24          |          |
| 901957  | M36 | 171,5      | 136    | 30          | 120.000  |
| 901958  |     | 221,5      | 186    | 30          |          |
| 901959  |     | 281,5      | 246    | 30          |          |
| 901960  |     | 331,5      | 296    | 30          |          |



## Ø 125

DIAMETER (mm)



HIGH LOAD



SLIT VERSION

| Art-Nr. | Sp  | H Tot (mm) | L (mm) | Wrench (mm) | Load (N) |
|---------|-----|------------|--------|-------------|----------|
| 901961  | M20 | 81,5       | 52,3   | 17          | 45.000   |
| 901962  |     | 111,5      | 82,3   | 17          |          |
| 901963  |     | 141,5      | 112,3  | 17          |          |
| 901964  |     | 171,5      | 142,3  | 17          |          |
| 901965  |     | 221,5      | 192,3  | 17          |          |
| 901966  |     | 281,5      | 252,3  | 17          |          |
| 901967  | M24 | 111,5      | 76     | 19          | 70.000   |
| 901968  |     | 141,5      | 106    | 19          |          |
| 901969  |     | 171,5      | 136    | 19          |          |
| 901970  |     | 221,5      | 186    | 19          |          |
| 901971  |     | 281,5      | 246    | 19          |          |
| 901972  | M30 | 141,5      | 106    | 24          | 100.000  |
| 901973  |     | 171,5      | 136    | 24          |          |
| 901974  |     | 221,5      | 186    | 24          |          |
| 901975  |     | 281,5      | 246    | 24          |          |
| 901976  |     | 331,5      | 296    | 24          |          |
| 901977  | M36 | 171,5      | 136    | 30          | 130.000  |
| 901978  |     | 221,5      | 186    | 30          |          |
| 901979  |     | 281,5      | 246    | 30          |          |
| 901980  |     | 331,5      | 296    | 30          |          |

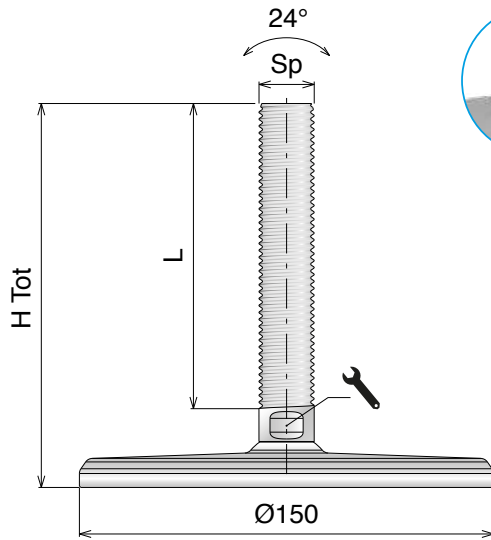
# S400 HEAVY-SPLIT

Piedi di livellamento / Leveling feet / Nivellierfüße

On request vulcanized rubber can be provided  
white or blue and spindle can be made in AISI 316.

**Materiale / Material / Materialien:**

Base e stelo: Acciaio inox  
Base plate and spindle: Stainless steel  
Fussplatte und Spindel: Edelstahl



## Ø 150

DIAMETER (mm)

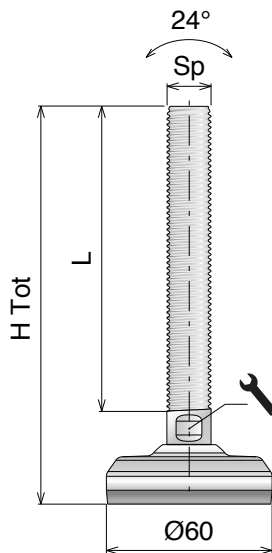


HIGH LOAD



SLIT VERSION

| Art-Nr. | Sp  | H Tot (mm) | L (mm) | Wrench (mm) | Load (N) |
|---------|-----|------------|--------|-------------|----------|
| 901981  | M20 | 81,5       | 52,3   | 17          | 45.000   |
| 901982  |     | 111,5      | 82,3   | 17          |          |
| 901983  |     | 141,5      | 112,3  | 17          |          |
| 901984  |     | 171,5      | 142,3  | 17          |          |
| 901985  |     | 221,5      | 192,3  | 17          |          |
| 901986  |     | 281,5      | 252,3  | 17          |          |
| 901987  | M24 | 111,5      | 76     | 19          | 70.000   |
| 901988  |     | 141,5      | 106    | 19          |          |
| 901989  |     | 171,5      | 136    | 19          |          |
| 901990  |     | 221,5      | 186    | 19          |          |
| 901991  |     | 281,5      | 246    | 19          |          |
| 901992  | M30 | 141,5      | 106    | 24          | 100.000  |
| 901993  |     | 171,5      | 136    | 24          |          |
| 901994  |     | 221,5      | 186    | 24          |          |
| 901995  |     | 281,5      | 246    | 24          |          |
| 901996  |     | 331,5      | 296    | 24          |          |
| 901997  | M36 | 171,5      | 136    | 30          | 150.000  |
| 901998  |     | 221,5      | 186    | 30          |          |
| 901999  |     | 281,5      | 246    | 30          |          |
| 902000  |     | 331,5      | 296    | 30          |          |



## Ø 60

DIAMETER (mm)



HIGH LOAD



SLIT VERSION



ANTI-SLIP

| Art-Nr. | Sp  | H Tot (mm) | L (mm) | Wrench (mm) | Load (N) |
|---------|-----|------------|--------|-------------|----------|
| 902001  | M10 | 86,5       | 50,5   | 7           | 3.000    |
| 902002  |     | 116,5      | 80,5   | 7           |          |
| 902003  |     | 146,5      | 110,5  | 7           |          |
| 902004  | M12 | 87,5       | 50,8   | 10          | 12.000   |
| 902005  |     | 117,5      | 80,8   | 10          |          |
| 902006  |     | 147,5      | 110,8  | 10          |          |
| 902007  |     | 177,5      | 140,8  | 10          |          |
| 902008  | M16 | 87,5       | 51,3   | 13          | 30.000   |
| 902009  |     | 117,5      | 81,3   | 13          |          |
| 902010  |     | 147,5      | 111,3  | 13          |          |
| 902011  |     | 177,5      | 141,3  | 13          |          |
| 902012  |     | 227,5      | 191,3  | 13          |          |
| 902013  | M20 | 87,5       | 52,3   | 17          | 45.000   |
| 902014  |     | 117,5      | 82,3   | 17          |          |
| 902015  |     | 147,5      | 112,3  | 17          |          |
| 902016  |     | 177,5      | 142,3  | 17          |          |
| 902017  |     | 227,5      | 192,3  | 17          |          |
| 902018  |     | 287,5      | 252,3  | 17          |          |

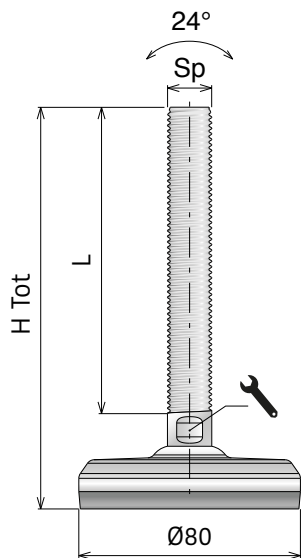
**Materiale / Material / Materialien:**

Base e stelo: Acciaio inox  
 Base plate and spindle: Stainless steel  
 Fussplatte und Spindel: Edelstahl

On request vulcanized rubber can be provided  
 white or blue and spindle can be made in AISI 316.

# S400 HEAVY-SPLIT

Piedi di livellamento / Leveling feet / Nivellierfüße



Ø 80

DIAMETER (mm)



HIGH LOAD

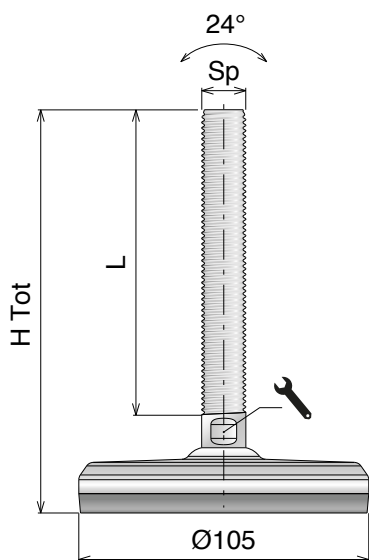


SLIT VERSION



ANTI-SLIP

| Art-Nr. | Sp  | H Tot (mm) | L (mm) | Wrench (mm) | Load (N) |
|---------|-----|------------|--------|-------------|----------|
| 902019  | M12 | 87,5       | 50,8   | 10          | 12.000   |
| 902020  |     | 117,5      | 80,8   | 10          |          |
| 902021  |     | 147,5      | 110,8  | 10          |          |
| 902022  |     | 177,5      | 140,8  | 10          |          |
| 902023  | M16 | 87,5       | 51,3   | 13          | 30.000   |
| 902024  |     | 117,5      | 81,3   | 13          |          |
| 902025  |     | 147,5      | 111,3  | 13          |          |
| 902026  |     | 177,5      | 141,3  | 13          |          |
| 902027  |     | 227,5      | 191,3  | 13          |          |
| 902028  | M20 | 87,5       | 52,3   | 17          | 45.000   |
| 902029  |     | 117,5      | 82,3   | 17          |          |
| 902030  |     | 147,5      | 112,3  | 17          |          |
| 902031  |     | 177,5      | 142,3  | 17          |          |
| 902032  |     | 227,5      | 192,3  | 17          |          |
| 902033  |     | 287,5      | 252,3  | 17          |          |
| 902034  | M24 | 117,5      | 76     | 19          | 70.000   |
| 902035  |     | 147,5      | 106    | 19          |          |
| 902036  |     | 177,5      | 136    | 19          |          |
| 902037  |     | 227,5      | 186    | 19          |          |
| 902038  |     | 287,5      | 246    | 19          |          |
| 902039  | M30 | 147,5      | 106    | 24          | 80.000   |
| 902040  |     | 177,5      | 136    | 24          |          |
| 902041  |     | 227,5      | 186    | 24          |          |
| 902042  |     | 287,5      | 246    | 24          |          |
| 902043  |     | 337,5      | 296    | 24          |          |



Ø 105

DIAMETER (mm)



HIGH LOAD



SLIT VERSION



ANTI-SLIP

| Art-Nr. | Sp  | H Tot (mm) | L (mm) | Wrench (mm) | Load (N) |
|---------|-----|------------|--------|-------------|----------|
| 902044  | M16 | 87,5       | 51,3   | 13          | 30.000   |
| 902045  |     | 117,5      | 81,3   | 13          |          |
| 902046  |     | 147,5      | 111,3  | 13          |          |
| 902047  |     | 177,5      | 141,3  | 13          |          |
| 902048  |     | 227,5      | 191,3  | 13          |          |
| 902049  | M20 | 87,5       | 52,3   | 17          | 45.000   |
| 902050  |     | 117,5      | 82,3   | 17          |          |
| 902051  |     | 147,5      | 112,3  | 17          |          |
| 902052  |     | 177,5      | 142,3  | 17          |          |
| 902053  |     | 227,5      | 192,3  | 17          |          |
| 902054  |     | 287,5      | 252,3  | 17          |          |
| 902055  | M24 | 117,5      | 76     | 19          | 70.000   |
| 902056  |     | 147,5      | 106    | 19          |          |
| 902057  |     | 177,5      | 136    | 19          |          |
| 902058  |     | 227,5      | 186    | 19          |          |
| 902059  |     | 287,5      | 246    | 19          |          |
| 902060  | M30 | 147,5      | 106    | 24          | 100.000  |
| 902061  |     | 177,5      | 136    | 24          |          |
| 902062  |     | 227,5      | 186    | 24          |          |
| 902063  |     | 287,5      | 246    | 24          |          |
| 902064  |     | 337,5      | 296    | 24          |          |
| 902065  | M36 | 177,5      | 136    | 30          | 120.000  |
| 902066  |     | 227,5      | 186    | 30          |          |
| 902067  |     | 287,5      | 246    | 30          |          |
| 902068  |     | 337,5      | 296    | 30          |          |

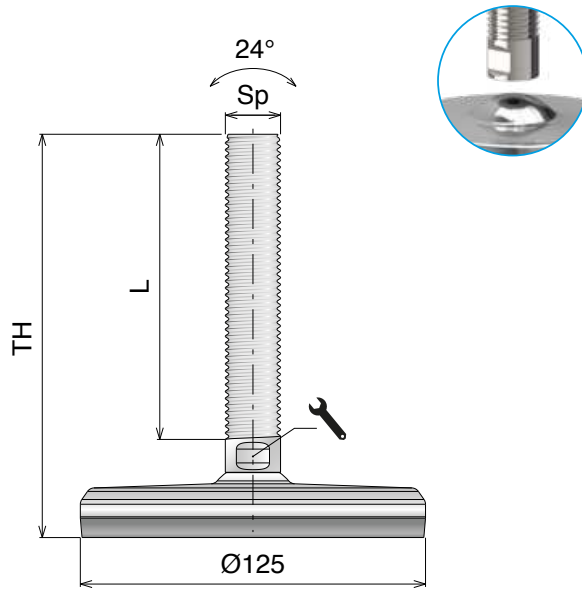
# S400 HEAVY-SPLIT

Piedi di livellamento / Leveling feet / Nivellierfüße

On request vulcanized rubber can be provided  
white or blue and spindle can be made in AISI 316.

**Materiale / Material / Materialien:**

Base e stelo: Acciaio inox  
Base plate and spindle: Stainless steel  
Fussplatte und Spindel: Edelstahl



Ø 125

DIAMETER (mm)



HIGH LOAD

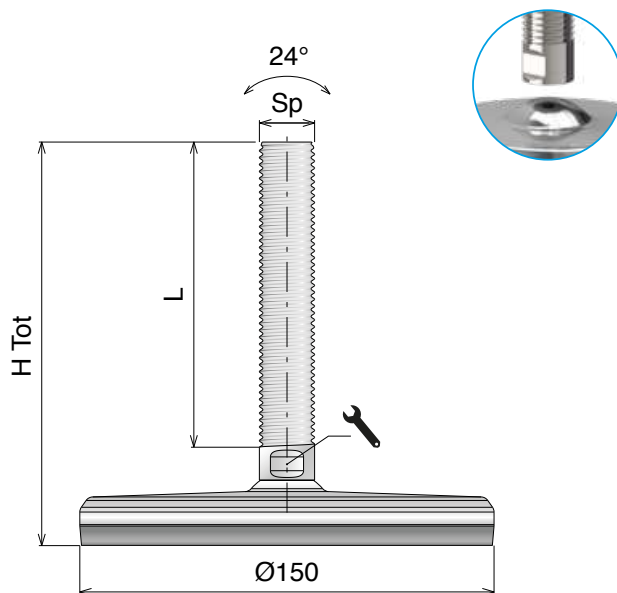


SLIT VERSION



ANTI-SLIP

| Art-Nr. | Sp  | H Tot (mm) | L (mm) | Wrench (mm) | Load (N) |
|---------|-----|------------|--------|-------------|----------|
| 902069  | M20 | 87,5       | 52,3   | 17          | 45.000   |
| 902070  |     | 117,5      | 82,3   | 17          |          |
| 902071  |     | 147,5      | 112,3  | 17          |          |
| 902072  |     | 177,5      | 142,3  | 17          |          |
| 902073  |     | 227,5      | 192,3  | 17          |          |
| 902074  |     | 287,5      | 252,3  | 17          |          |
| 902075  | M24 | 117,5      | 76     | 19          | 70.000   |
| 902076  |     | 147,5      | 106    | 19          |          |
| 902077  |     | 177,5      | 136    | 19          |          |
| 902078  |     | 227,5      | 186    | 19          |          |
| 902079  |     | 287,5      | 246    | 19          |          |
| 902080  | M30 | 147,5      | 106    | 24          | 100.000  |
| 902081  |     | 177,5      | 136    | 24          |          |
| 902082  |     | 227,5      | 186    | 24          |          |
| 902083  |     | 287,5      | 246    | 24          |          |
| 902084  |     | 337,5      | 296    | 24          |          |
| 902085  | M36 | 177,5      | 136    | 30          | 130.000  |
| 902086  |     | 227,5      | 186    | 30          |          |
| 902087  |     | 287,5      | 246    | 30          |          |
| 902088  |     | 337,5      | 296    | 30          |          |



Ø 150

DIAMETER (mm)



HIGH LOAD



SLIT VERSION



ANTI-SLIP

| Art-Nr. | Sp  | H Tot (mm) | L (mm) | Wrench (mm) | Load (N) |
|---------|-----|------------|--------|-------------|----------|
| 902089  | M20 | 87,5       | 52,3   | 17          | 45.000   |
| 902090  |     | 117,5      | 82,3   | 17          |          |
| 902091  |     | 147,5      | 112,3  | 17          |          |
| 902092  |     | 177,5      | 142,3  | 17          |          |
| 902093  |     | 227,5      | 192,3  | 17          |          |
| 902094  |     | 287,5      | 252,3  | 17          |          |
| 902095  | M24 | 117,5      | 76     | 19          | 70.000   |
| 902096  |     | 147,5      | 106    | 19          |          |
| 902097  |     | 177,5      | 136    | 19          |          |
| 902098  |     | 227,5      | 186    | 19          |          |
| 902099  |     | 287,5      | 246    | 19          |          |
| 902100  | M30 | 147,5      | 106    | 24          | 100.000  |
| 902101  |     | 177,5      | 136    | 24          |          |
| 902102  |     | 227,5      | 186    | 24          |          |
| 902103  |     | 287,5      | 246    | 24          |          |
| 902104  |     | 337,5      | 296    | 24          |          |
| 902105  | M36 | 177,5      | 136    | 30          | 150.000  |
| 902106  |     | 227,5      | 186    | 30          |          |
| 902107  |     | 287,5      | 246    | 30          |          |
| 902108  |     | 337,5      | 296    | 30          |          |

## S400B Series HYGIENIC STAINLESS STEEL LEVELERS

RANGE EXTENSION

Delivery: **Easy** **Standard**

### S400B

**Main features:**

- Overmolded baseplate in AISI 304
- Spindle and cover in AISI 304
- Washer in AISI 304
- Vulcanized anti-slip NBR rubber

**Versions available:**

- with single floor fixation



### S400B SPLIT

**Main features:**

- Overmolded baseplate in AISI 304
- Spindle and cover in AISI 304
- Separate spindle and baseplate
- Vulcanized anti-slip NBR rubber



### S400B HEAVY

**Main features:**

- Full machined baseplate in AISI 304
- Spindle and cover in AISI 304
- Washer in AISI 304 stainless steel

**Versions available:**

- Vulcanized anti-slip NBR rubber
- Double floor fixation



### S400B HEAVY-SPLIT

**Main features:**

- Full machined baseplate in AISI 304
- Spindle and cover in AISI 304
- Separate spindle and baseplate

**Versions available:**

- Vulcanized anti-slip NBR rubber



The **S400B series**, with overmolded baseplate in AISI 304 stainless steel, threaded spindle with complete closure cover and stainless steel washer is the best choice for industrial environments where a high level of hygiene is required, like food, chemical and pharmaceutical industries.

The stainless steel baseplate and its particular shape guarantee an excellent cleanability, especially in critical conditions; the stainless steel cover avoids exposure of the thread part to external agents; the stainless steel washer ensures complete closure between the spindle and the baseplate and the NBR rubber guarantees anti-slip properties and hermetic closure between the leveler and the floor.

Maximum compressive strength (static load) as in the table, maximum tensile strength (static load) 4.000 N (S400); 8.000 N (S400 HEAVY); NOT AVAILABLE (SLIT and HEAVY-DUTY).

Accessori / Accessories / Zubehör

Find out more details on page 643/644

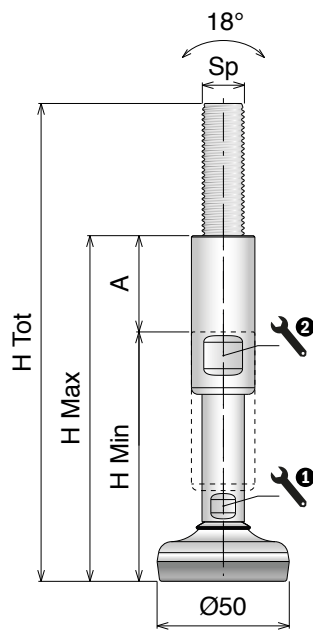
# S400B Series

Piedi di livellamento / Leveling feet / Nivellierfüße

On request vulcanized rubber can be provided  
white or blue and spindle can be made in AISI 316.

**Materiale / Material / Materialien:**

Base, stelo, rondella e boccola: Acciaio inox  
Base plate, spindle, washer and cover: Stainless steel  
Fussplatte, Spindel, Scheibe und Hülse: Edelstahl

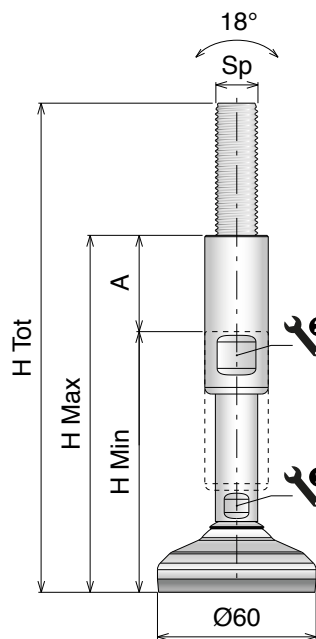


## Ø50

DIAMETER (mm)



| Art-Nr.       | Sp  | H Tot (mm) | H Min (mm) | H Max (mm) | A (mm) | 1 (mm) | 2 (mm) | Load (N) |
|---------------|-----|------------|------------|------------|--------|--------|--------|----------|
| <b>902109</b> | M12 | 181        | 101        | 146        | 45     | 10     | 17     | 3.000    |
| <b>902110</b> |     | 231        | 131        | 196        | 65     | 10     | 17     |          |
| <b>902111</b> | M16 | 181        | 101        | 146        | 45     | 13     | 19     | 3.000    |
| <b>902112</b> |     | 231        | 131        | 196        | 65     | 13     | 19     |          |
| <b>902113</b> | M20 | 181        | 101        | 146        | 45     | 17     | 24     | 3.000    |
| <b>902114</b> |     | 231        | 131        | 196        | 65     | 17     | 24     |          |
| <b>902115</b> | M24 | 181        | 101        | 146        | 45     | 19     | 30     | 3.000    |
| <b>902116</b> |     | 231        | 131        | 196        | 65     | 19     | 30     |          |
| <b>902117</b> | M30 | 181        | 101        | 146        | 45     | 24     | 36     | 3.000    |
| <b>902118</b> |     | 231        | 131        | 196        | 65     | 24     | 36     |          |
| <b>902119</b> |     | 291        | 191        | 256        | 65     | 24     | 36     |          |
| <b>902120</b> | M36 | 181        | 101        | 146        | 45     | 30     | 42     | 3.000    |
| <b>902121</b> |     | 231        | 131        | 196        | 65     | 30     | 42     |          |
| <b>902122</b> |     | 291        | 191        | 256        | 65     | 30     | 42     |          |



## Ø60

DIAMETER (mm)



| Art-Nr.       | Sp  | H Tot (mm) | H Min (mm) | H Max (mm) | A (mm) | 1 (mm) | 2 (mm) | Load (N) |
|---------------|-----|------------|------------|------------|--------|--------|--------|----------|
| <b>902123</b> | M12 | 185        | 105        | 150        | 45     | 10     | 17     | 4.500    |
| <b>902124</b> |     | 235        | 135        | 200        | 65     | 10     | 17     |          |
| <b>902125</b> | M16 | 185        | 105        | 150        | 45     | 13     | 19     | 4.500    |
| <b>902126</b> |     | 235        | 135        | 200        | 65     | 13     | 19     |          |
| <b>902127</b> | M20 | 185        | 105        | 150        | 45     | 17     | 24     | 4.500    |
| <b>902128</b> |     | 235        | 135        | 200        | 65     | 17     | 24     |          |
| <b>902129</b> | M24 | 185        | 105        | 150        | 45     | 19     | 30     | 4.500    |
| <b>902130</b> |     | 235        | 135        | 200        | 65     | 19     | 30     |          |
| <b>902131</b> | M30 | 185        | 105        | 150        | 45     | 24     | 36     | 4.500    |
| <b>902132</b> |     | 235        | 135        | 200        | 65     | 24     | 36     |          |
| <b>902133</b> |     | 295        | 195        | 260        | 65     | 24     | 36     |          |
| <b>902134</b> | M36 | 185        | 105        | 150        | 45     | 30     | 42     | 4.500    |
| <b>902135</b> |     | 235        | 135        | 200        | 65     | 30     | 42     |          |
| <b>902136</b> |     | 295        | 195        | 260        | 65     | 30     | 42     |          |



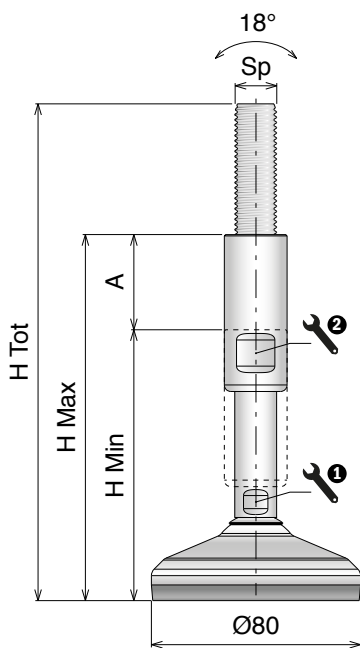
**Materiale / Material / Materialien:**

Base, stelo, rondella e boccia: Acciaio inox  
 Base plate, spindle, washer and cover: Stainless steel  
 Fussplatte, Spindel, Scheibe und Hülse: Edelstahl

On request vulcanized rubber can be provided  
 white or blue and spindle can be made in AISI 316.

# S400B Series

Piedi di livellamento / Leveling feet / Nivellierfüße



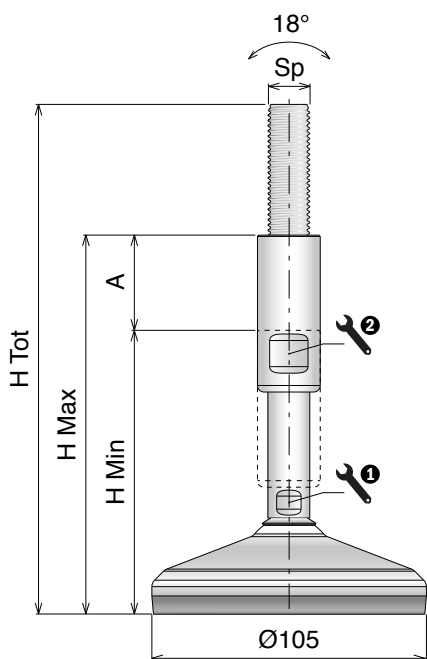
## Ø80

DIAMETER (mm)



ANTI-SLIP

| Art-Nr.       | Sp  | H Tot (mm) | H Min (mm) | H Max (mm) | A (mm) | 1 (mm) | 2 (mm) | Load (N) |
|---------------|-----|------------|------------|------------|--------|--------|--------|----------|
| <b>902165</b> | M12 | 190        | 110        | 155        | 45     | 10     | 17     | 12.000   |
| <b>902166</b> |     | 240        | 140        | 205        | 65     | 10     | 17     |          |
| <b>902167</b> | M16 | 190        | 110        | 155        | 45     | 13     | 19     | 15.000   |
| <b>902168</b> |     | 240        | 140        | 205        | 65     | 13     | 19     |          |
| <b>902169</b> | M20 | 190        | 110        | 155        | 45     | 17     | 24     | 15.000   |
| <b>902170</b> |     | 240        | 140        | 205        | 65     | 17     | 24     |          |
| <b>902171</b> | M24 | 190        | 110        | 155        | 45     | 19     | 30     | 15.000   |
| <b>902172</b> |     | 240        | 140        | 205        | 65     | 19     | 30     |          |
| <b>902173</b> | M30 | 190        | 110        | 155        | 45     | 24     | 36     | 15.000   |
| <b>902174</b> |     | 240        | 140        | 205        | 65     | 24     | 36     |          |
| <b>902175</b> |     | 300        | 200        | 265        | 65     | 24     | 36     |          |
| <b>902176</b> | M36 | 190        | 110        | 155        | 45     | 30     | 42     | 15.000   |
| <b>902177</b> |     | 240        | 140        | 205        | 65     | 30     | 42     |          |
| <b>902178</b> |     | 300        | 200        | 265        | 65     | 30     | 42     |          |



## Ø105

DIAMETER (mm)



ANTI-SLIP

| Art-Nr.       | Sp  | H Tot (mm) | H Min (mm) | H Max (mm) | A (mm) | 1 (mm) | 2 (mm) | Load (N) |
|---------------|-----|------------|------------|------------|--------|--------|--------|----------|
| <b>902193</b> | M12 | 195        | 115        | 160        | 45     | 10     | 17     | 12.000   |
| <b>902194</b> |     | 245        | 145        | 210        | 65     | 10     | 17     |          |
| <b>902195</b> | M16 | 195        | 115        | 160        | 45     | 13     | 19     | 25.000   |
| <b>902196</b> |     | 245        | 145        | 210        | 65     | 13     | 19     |          |
| <b>902197</b> | M20 | 195        | 115        | 160        | 45     | 17     | 24     | 25.000   |
| <b>902198</b> |     | 245        | 145        | 210        | 65     | 17     | 24     |          |
| <b>902199</b> | M24 | 195        | 115        | 160        | 45     | 19     | 30     | 25.000   |
| <b>902200</b> |     | 245        | 145        | 210        | 65     | 19     | 30     |          |
| <b>902201</b> | M30 | 195        | 115        | 160        | 45     | 24     | 36     | 25.000   |
| <b>902202</b> |     | 245        | 145        | 210        | 65     | 24     | 36     |          |
| <b>902203</b> |     | 305        | 205        | 270        | 65     | 24     | 36     |          |
| <b>902204</b> | M36 | 195        | 115        | 160        | 45     | 30     | 42     | 25.000   |
| <b>902205</b> |     | 245        | 145        | 210        | 65     | 30     | 42     |          |
| <b>902206</b> |     | 305        | 205        | 270        | 65     | 30     | 42     |          |

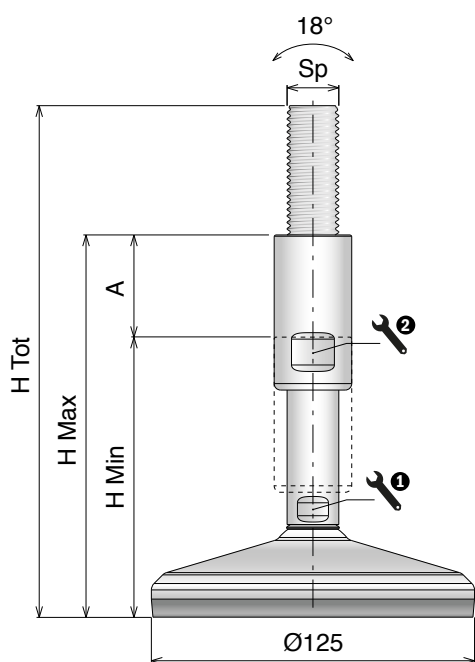
# S400B Series

Piedi di livellamento / Leveling feet / Nivellierfüße

On request vulcanized rubber can be provided  
white or blue and spindle can be made in AISI 316.

**Materiale / Material / Materialien:**

Base, stelo, rondella e boccia: Acciaio inox  
Base plate, spindle, washer and cover: Stainless steel  
Fussplatte, Spindel, Scheibe und Hülse: Edelstahl

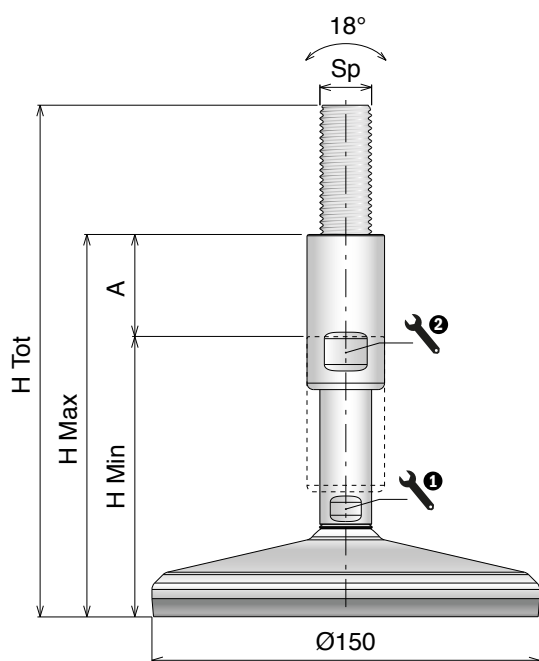


## Ø125

DIAMETER (mm)



| Art-Nr. | Sp  | H Tot (mm) | H Min (mm) | H Max (mm) | A (mm) | 1 (mm) | 2 (mm) | Load (N) |
|---------|-----|------------|------------|------------|--------|--------|--------|----------|
| 902207  | M12 | 195        | 115        | 160        | 45     | 10     | 17     | 12.000   |
| 902208  |     | 245        | 145        | 210        | 65     | 10     | 17     |          |
| 902209  | M16 | 195        | 115        | 160        | 45     | 13     | 19     | 30.000   |
| 902210  |     | 245        | 145        | 210        | 65     | 13     | 19     |          |
| 902211  | M20 | 195        | 115        | 160        | 45     | 17     | 24     | 30.000   |
| 902212  |     | 245        | 145        | 210        | 65     | 17     | 24     |          |
| 902213  | M24 | 195        | 115        | 160        | 45     | 19     | 30     | 30.000   |
| 902214  |     | 245        | 145        | 210        | 65     | 19     | 30     |          |
| 902215  | M30 | 195        | 115        | 160        | 45     | 24     | 36     | 30.000   |
| 902216  |     | 245        | 145        | 210        | 65     | 24     | 36     |          |
| 902217  |     | 305        | 205        | 270        | 65     | 24     | 36     |          |
| 902218  | M36 | 195        | 115        | 160        | 45     | 30     | 42     | 30.000   |
| 902219  |     | 245        | 145        | 210        | 65     | 30     | 42     |          |
| 902220  |     | 305        | 205        | 270        | 65     | 30     | 42     |          |



## Ø150

DIAMETER (mm)



| Art-Nr. | Sp  | H Tot (mm) | H Min (mm) | H Max (mm) | A (mm) | 1 (mm) | 2 (mm) | Load (N) |
|---------|-----|------------|------------|------------|--------|--------|--------|----------|
| 902221  | M12 | 195        | 115        | 160        | 45     | 10     | 17     | 12.000   |
| 902222  |     | 245        | 145        | 210        | 65     | 10     | 17     |          |
| 902223  | M16 | 195        | 115        | 160        | 45     | 13     | 19     | 30.000   |
| 902224  |     | 245        | 145        | 210        | 65     | 13     | 19     |          |
| 902225  | M20 | 195        | 115        | 160        | 45     | 17     | 24     | 45.000   |
| 902226  |     | 245        | 145        | 210        | 65     | 17     | 24     |          |
| 902227  | M24 | 195        | 115        | 160        | 45     | 19     | 30     | 45.000   |
| 902228  |     | 245        | 145        | 210        | 65     | 19     | 30     |          |
| 902229  | M30 | 195        | 115        | 160        | 45     | 24     | 36     | 45.000   |
| 902230  |     | 245        | 145        | 210        | 65     | 24     | 36     |          |
| 902231  |     | 305        | 205        | 270        | 65     | 24     | 36     |          |
| 902232  | M36 | 195        | 115        | 160        | 45     | 30     | 42     | 45.000   |
| 902233  |     | 245        | 145        | 210        | 65     | 30     | 42     |          |
| 902234  |     | 305        | 205        | 270        | 65     | 30     | 42     |          |

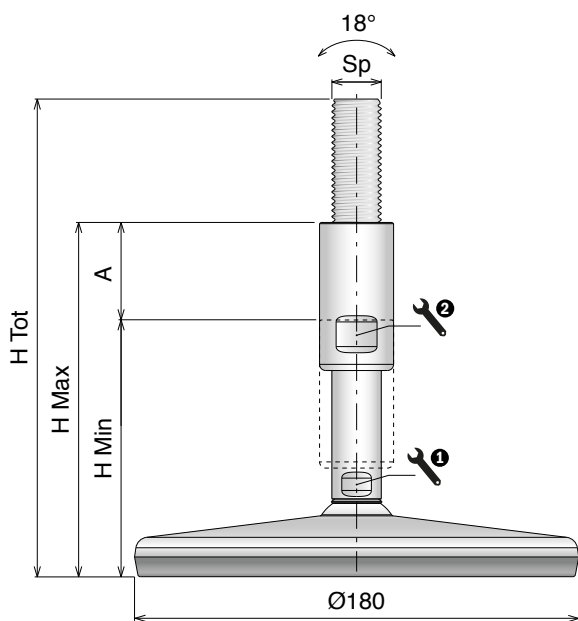
**Materiale / Material / Materialien:**

Base, stelo, rondella e boccia: Acciaio inox  
 Base plate, spindle, washer and cover: Stainless steel  
 Fussplatte, Spindel, Scheibe und Hülse: Edelstahl

On request vulcanized rubber can be provided  
 white or blue and spindle can be made in AISI 316.

# S400B Series

Piedi di livellamento / Leveling feet / Nivellierfüße



## Ø180

DIAMETER (mm)



| Art-Nr.       | Sp  | H Tot (mm) | H Min (mm) | H Max (mm) | A (mm) | 1 (mm) | 2 (mm) | Load (N) |
|---------------|-----|------------|------------|------------|--------|--------|--------|----------|
| <b>902235</b> | M12 | 191        | 111        | 156        | 45     | 10     | 17     | 12.000   |
| <b>902236</b> |     | 241        | 141        | 206        | 65     | 10     | 17     |          |
| <b>902237</b> | M16 | 191        | 111        | 156        | 45     | 13     | 19     | 30.000   |
| <b>902238</b> |     | 241        | 141        | 206        | 65     | 13     | 19     |          |
| <b>902239</b> | M20 | 191        | 111        | 156        | 45     | 17     | 24     | 38.000   |
| <b>902240</b> |     | 241        | 141        | 206        | 65     | 17     | 24     |          |
| <b>902241</b> | M24 | 191        | 111        | 156        | 45     | 19     | 30     | 38.000   |
| <b>902242</b> |     | 241        | 141        | 206        | 65     | 19     | 30     |          |
| <b>902243</b> | M30 | 191        | 111        | 156        | 45     | 24     | 36     | 38.000   |
| <b>902244</b> |     | 241        | 141        | 206        | 65     | 24     | 36     |          |
| <b>902245</b> |     | 301        | 201        | 266        | 65     | 24     | 36     |          |
| <b>902246</b> | M36 | 191        | 111        | 156        | 45     | 30     | 42     | 38.000   |
| <b>902247</b> |     | 241        | 141        | 206        | 65     | 30     | 42     |          |
| <b>902248</b> |     | 301        | 201        | 266        | 65     | 30     | 42     |          |

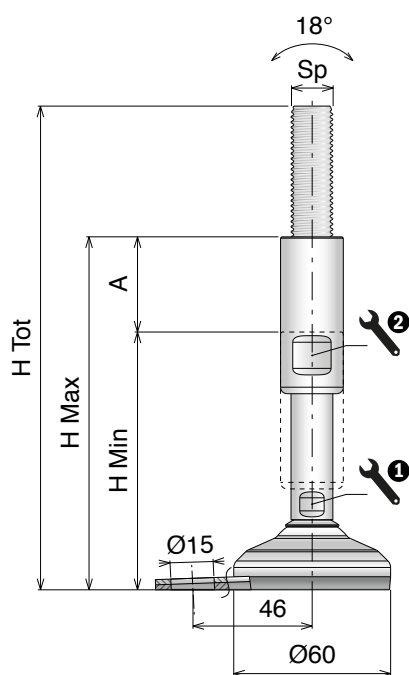
# S400B Series

Piedi di livellamento / Leveling feet / Nivellierfüße

On request vulcanized rubber can be provided  
white or blue and spindle can be made in AISI 316.

**Materiale / Material / Materialien:**

Base, stelo, rondella e boccola: Acciaio inox  
Base plate, spindle, washer and cover: Stainless steel  
Fussplatte, Spindel, Scheibe und Hülse: Edelstahl



## Ø 60

DIAMETER (mm)

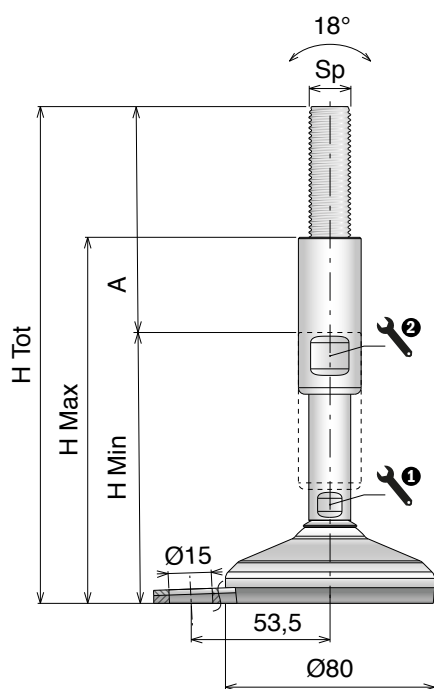


ANTI-SLIP



FIXING POINT

| Art-Nr.       | Sp  | H Tot (mm) | H Min (mm) | H Max (mm) | A (mm) | 1 (mm) | 2 (mm) | Load (N) |
|---------------|-----|------------|------------|------------|--------|--------|--------|----------|
| <b>902249</b> | M12 | 185        | 105        | 150        | 45     | 10     | 17     | 4.500    |
| <b>902250</b> |     | 235        | 135        | 200        | 65     | 10     | 17     |          |
| <b>902251</b> | M16 | 185        | 105        | 150        | 45     | 13     | 19     | 4.500    |
| <b>902252</b> |     | 235        | 135        | 200        | 65     | 13     | 19     |          |
| <b>902253</b> | M20 | 185        | 105        | 150        | 45     | 17     | 24     | 4.500    |
| <b>902254</b> |     | 235        | 135        | 200        | 65     | 17     | 24     |          |
| <b>902255</b> | M24 | 185        | 105        | 150        | 45     | 19     | 30     | 4.500    |
| <b>902256</b> |     | 235        | 135        | 200        | 65     | 19     | 30     |          |
| <b>902257</b> | M30 | 185        | 105        | 150        | 45     | 24     | 36     | 4.500    |
| <b>902258</b> |     | 235        | 135        | 200        | 65     | 24     | 36     |          |
| <b>902259</b> |     | 295        | 195        | 260        | 65     | 24     | 36     |          |
| <b>902260</b> | M36 | 185        | 105        | 150        | 45     | 30     | 42     | 4.500    |
| <b>902261</b> |     | 235        | 135        | 200        | 65     | 30     | 42     |          |
| <b>902262</b> |     | 295        | 195        | 260        | 65     | 30     | 42     |          |



## Ø 80

DIAMETER (mm)



ANTI-SLIP



FIXING POINT

| Art-Nr.       | Sp  | H Tot (mm) | H Min (mm) | H Max (mm) | A (mm) | 1 (mm) | 2 (mm) | Load (N) |
|---------------|-----|------------|------------|------------|--------|--------|--------|----------|
| <b>902277</b> | M12 | 190        | 110        | 155        | 45     | 10     | 17     | 12.000   |
| <b>902278</b> |     | 240        | 140        | 205        | 65     | 10     | 17     |          |
| <b>902279</b> | M16 | 190        | 110        | 155        | 45     | 13     | 19     | 15.000   |
| <b>902280</b> |     | 240        | 140        | 205        | 65     | 13     | 19     |          |
| <b>902281</b> | M20 | 190        | 110        | 155        | 45     | 17     | 24     | 15.000   |
| <b>902282</b> |     | 240        | 140        | 205        | 65     | 17     | 24     |          |
| <b>902283</b> | M24 | 190        | 110        | 155        | 45     | 19     | 30     | 15.000   |
| <b>902284</b> |     | 240        | 140        | 205        | 65     | 19     | 30     |          |
| <b>902285</b> | M30 | 190        | 110        | 155        | 45     | 24     | 36     | 15.000   |
| <b>902286</b> |     | 240        | 140        | 205        | 65     | 24     | 36     |          |
| <b>902287</b> |     | 300        | 200        | 265        | 65     | 24     | 36     |          |
| <b>902288</b> | M36 | 190        | 110        | 155        | 45     | 30     | 42     | 15.000   |
| <b>902289</b> |     | 240        | 140        | 205        | 65     | 30     | 42     |          |
| <b>902290</b> |     | 300        | 200        | 265        | 65     | 30     | 42     |          |

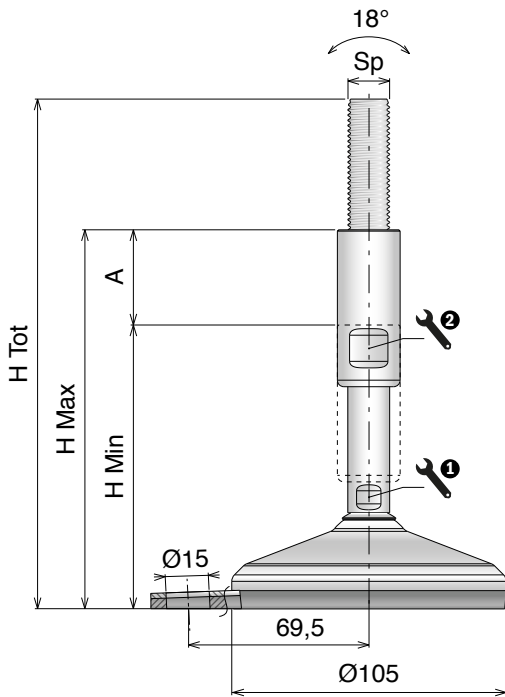
**Materiale / Material / Materialien:**

Base, stelo, rondella e boccia: Acciaio inox  
 Base plate, spindle, washer and cover: Stainless steel  
 Fussplatte, Spindel, Scheibe und Hülse: Edelstahl

On request vulcanized rubber can be provided  
 white or blue and spindle can be made in AISI 316.

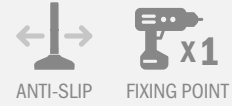
# S400B Series

Piedi di livellamento / Leveling feet / Nivellierfüße

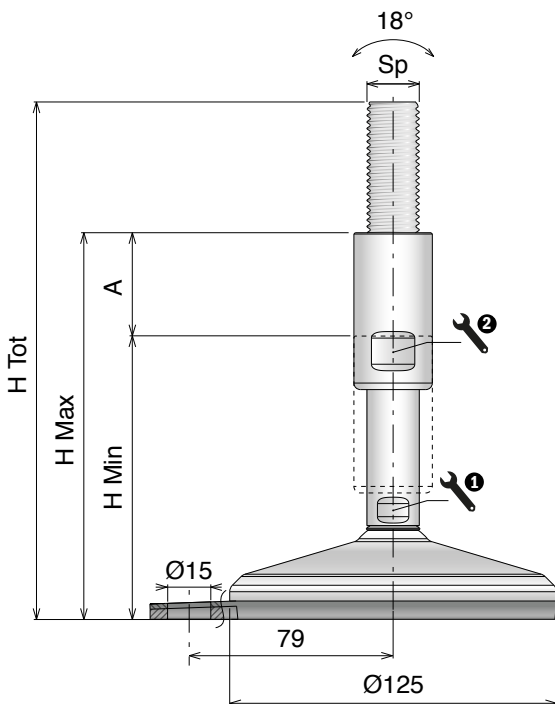


## Ø105

DIAMETER (mm)

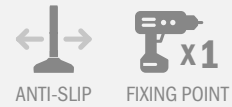


| Art-Nr.       | Sp  | H Tot (mm) | H Min (mm) | H Max (mm) | A (mm) | 1 (mm) | 2 (mm) | Load (N) |
|---------------|-----|------------|------------|------------|--------|--------|--------|----------|
| <b>902305</b> | M12 | 195        | 115        | 160        | 45     | 10     | 17     | 12.000   |
| <b>902306</b> |     | 245        | 145        | 210        | 65     | 10     | 17     |          |
| <b>902307</b> | M16 | 195        | 115        | 160        | 45     | 13     | 19     | 25.000   |
| <b>902308</b> |     | 245        | 145        | 210        | 65     | 13     | 19     |          |
| <b>902309</b> | M20 | 195        | 115        | 160        | 45     | 17     | 24     | 25.000   |
| <b>902310</b> |     | 245        | 145        | 210        | 65     | 17     | 24     |          |
| <b>902311</b> | M24 | 195        | 115        | 160        | 45     | 19     | 30     | 25.000   |
| <b>902312</b> |     | 245        | 145        | 210        | 65     | 19     | 30     |          |
| <b>902313</b> | M30 | 195        | 115        | 160        | 45     | 24     | 36     | 25.000   |
| <b>902314</b> |     | 245        | 145        | 210        | 65     | 24     | 36     |          |
| <b>902315</b> |     | 305        | 205        | 270        | 65     | 24     | 36     |          |
| <b>902316</b> | M36 | 195        | 115        | 160        | 45     | 30     | 42     | 25.000   |
| <b>902317</b> |     | 245        | 145        | 210        | 65     | 30     | 42     |          |
| <b>902318</b> |     | 305        | 205        | 270        | 65     | 30     | 42     |          |



## Ø125

DIAMETER (mm)



| Art-Nr.       | Sp  | H Tot (mm) | H Min (mm) | H Max (mm) | A (mm) | 1 (mm) | 2 (mm) | Load (N) |
|---------------|-----|------------|------------|------------|--------|--------|--------|----------|
| <b>902319</b> | M12 | 195        | 115        | 160        | 45     | 10     | 17     | 12.000   |
| <b>902320</b> |     | 245        | 145        | 210        | 65     | 10     | 17     |          |
| <b>902321</b> | M16 | 195        | 115        | 160        | 45     | 13     | 19     | 30.000   |
| <b>902322</b> |     | 245        | 145        | 210        | 65     | 13     | 19     |          |
| <b>902323</b> | M20 | 195        | 115        | 160        | 45     | 17     | 24     | 30.000   |
| <b>902324</b> |     | 245        | 145        | 210        | 65     | 17     | 24     |          |
| <b>902325</b> | M24 | 195        | 115        | 160        | 45     | 19     | 30     | 30.000   |
| <b>902326</b> |     | 245        | 145        | 210        | 65     | 19     | 30     |          |
| <b>902327</b> | M30 | 195        | 115        | 160        | 45     | 24     | 36     | 30.000   |
| <b>902328</b> |     | 245        | 145        | 210        | 65     | 24     | 36     |          |
| <b>902329</b> |     | 305        | 205        | 270        | 65     | 24     | 36     |          |
| <b>902330</b> | M36 | 195        | 115        | 160        | 45     | 30     | 42     | 30.000   |
| <b>902331</b> |     | 245        | 145        | 210        | 65     | 30     | 42     |          |
| <b>902332</b> |     | 305        | 205        | 270        | 65     | 30     | 42     |          |

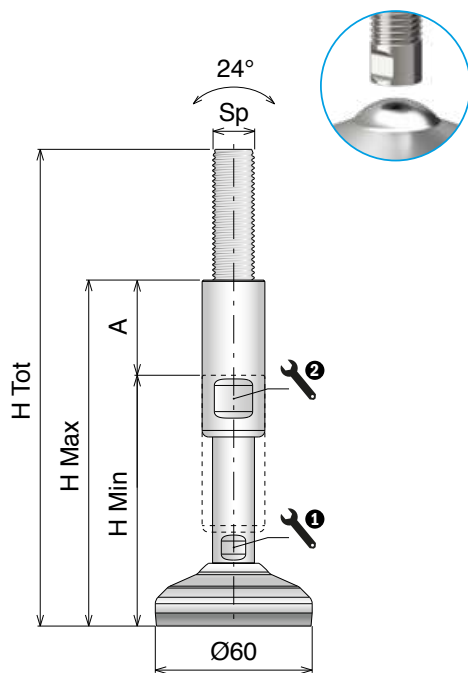
# S400B SPLIT

Piedi di livellamento / Leveling feet / Nivellierfüße

On request vulcanized rubber can be provided  
white or blue and spindle can be made in AISI 316.

**Materiale / Material / Materialien:**

Base, stelo, rondella e boccola: Acciaio inox  
Base plate, spindle, washer and cover: Stainless steel  
Fussplatte, Spindel, Scheibe und Hülse: Edelstahl



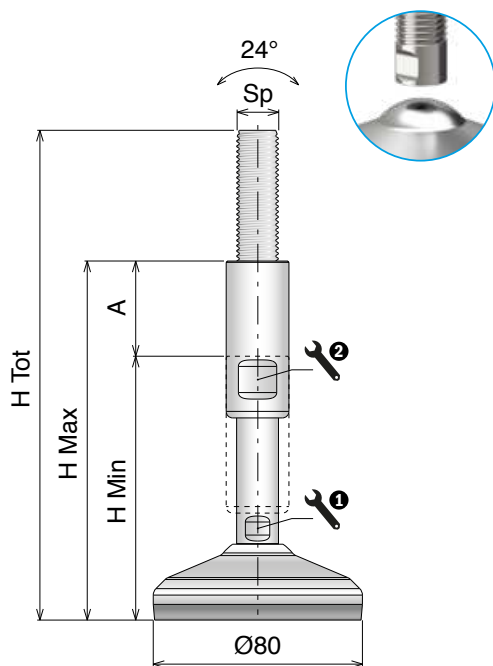
## Ø60

DIAMETER (mm)



SLIT VERSION ANTI-SLIP

| Art-Nr. | Sp  | H Tot (mm) | H Min (mm) | H Max (mm) | A (mm) | 1 (mm) | 2 (mm) | Load (N) |
|---------|-----|------------|------------|------------|--------|--------|--------|----------|
| 902333  | M12 | 184        | 104        | 149        | 45     | 10     | 17     | 4.500    |
| 902334  |     | 234        | 134        | 199        | 65     | 10     | 17     |          |
| 902335  | M16 | 184        | 104        | 149        | 45     | 13     | 19     | 4.500    |
| 902336  |     | 234        | 134        | 199        | 65     | 13     | 19     |          |
| 902337  | M20 | 184        | 104        | 149        | 45     | 17     | 24     | 4.500    |
| 902338  |     | 234        | 134        | 199        | 65     | 17     | 24     |          |
| 902339  | M24 | 184        | 104        | 149        | 45     | 19     | 30     | 4.500    |
| 902340  |     | 234        | 134        | 199        | 65     | 19     | 30     |          |
| 902341  | M30 | 184        | 104        | 149        | 45     | 24     | 36     | 4.500    |
| 902342  |     | 234        | 134        | 199        | 65     | 24     | 36     |          |
| 902343  |     | 294        | 194        | 259        | 65     | 24     | 36     |          |
| 902344  | M36 | 184        | 104        | 149        | 45     | 30     | 42     | 4.500    |
| 902345  |     | 234        | 134        | 199        | 65     | 30     | 42     |          |
| 902346  |     | 294        | 194        | 259        | 65     | 30     | 42     |          |



## Ø80

DIAMETER (mm)



SLIT VERSION ANTI-SLIP

| Art-Nr. | Sp  | H Tot (mm) | H Min (mm) | H Max (mm) | A (mm) | 1 (mm) | 2 (mm) | Load (N) |
|---------|-----|------------|------------|------------|--------|--------|--------|----------|
| 902347  | M12 | 189        | 109        | 154        | 45     | 10     | 17     | 12.000   |
| 902348  |     | 239        | 139        | 204        | 65     | 10     | 17     |          |
| 902349  | M16 | 189        | 109        | 154        | 45     | 13     | 19     | 15.000   |
| 902350  |     | 239        | 139        | 204        | 65     | 13     | 19     |          |
| 902351  | M20 | 189        | 109        | 154        | 45     | 17     | 24     | 15.000   |
| 902352  |     | 239        | 139        | 204        | 65     | 17     | 24     |          |
| 902353  | M24 | 189        | 109        | 154        | 45     | 19     | 30     | 15.000   |
| 902354  |     | 239        | 139        | 204        | 65     | 19     | 30     |          |
| 902355  | M30 | 189        | 109        | 154        | 45     | 24     | 36     | 15.000   |
| 902356  |     | 239        | 139        | 204        | 65     | 24     | 36     |          |
| 902357  |     | 299        | 199        | 264        | 65     | 24     | 36     |          |
| 902358  | M36 | 189        | 109        | 154        | 45     | 30     | 42     | 15.000   |
| 902359  |     | 239        | 139        | 204        | 65     | 30     | 42     |          |
| 902360  |     | 299        | 199        | 264        | 65     | 30     | 42     |          |

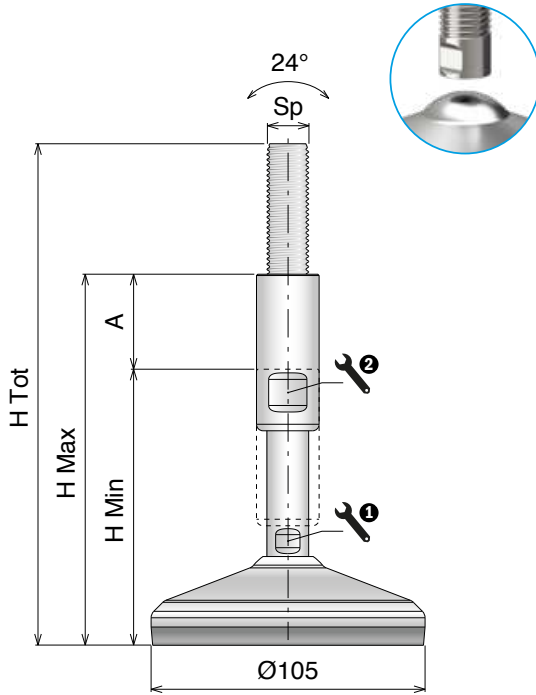
**Materiale / Material / Materialien:**

Base, stelo, rondella e boccia: Acciaio inox  
 Base plate, spindle, washer and cover: Stainless steel  
 Fussplatte, Spindel, Scheibe und Hülse: Edelstahl

On request vulcanized rubber can be provided  
 white or blue and spindle can be made in AISI 316.

# S400B SPLIT

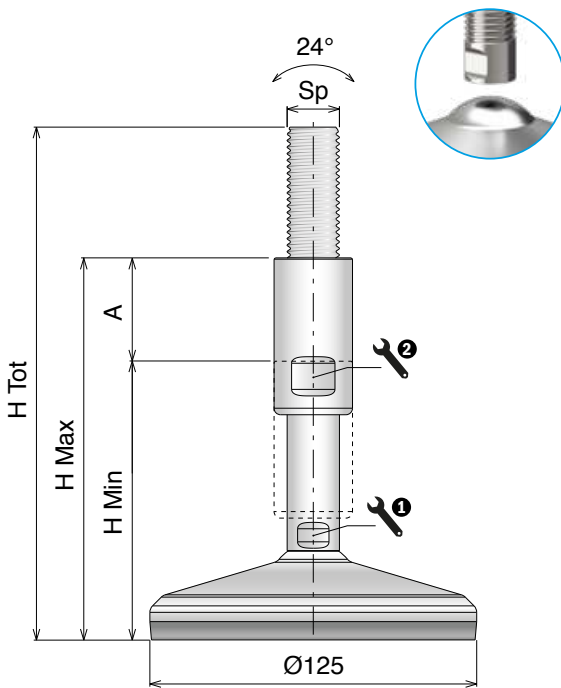
Piedi di livellamento / Leveling feet / Nivellierfüße



**Ø105**  
 DIAMETER (mm)



| Art-Nr.       | Sp  | H Tot (mm) | H Min (mm) | H Max (mm) | A (mm) | 1 (mm) | 2 (mm) | Load (N) |
|---------------|-----|------------|------------|------------|--------|--------|--------|----------|
| <b>902361</b> | M12 | 194        | 114        | 159        | 45     | 10     | 17     | 12.000   |
| <b>902362</b> |     | 244        | 144        | 209        | 65     | 10     | 17     |          |
| <b>902363</b> | M16 | 194        | 114        | 159        | 45     | 13     | 19     | 25.000   |
| <b>902364</b> |     | 244        | 144        | 209        | 65     | 13     | 19     |          |
| <b>902365</b> | M20 | 194        | 114        | 159        | 45     | 17     | 24     | 25.000   |
| <b>902366</b> |     | 244        | 144        | 209        | 65     | 17     | 24     |          |
| <b>902367</b> | M24 | 194        | 114        | 159        | 45     | 19     | 30     | 25.000   |
| <b>902368</b> |     | 244        | 144        | 209        | 65     | 19     | 30     |          |
| <b>902369</b> | M30 | 194        | 114        | 159        | 45     | 24     | 36     | 25.000   |
| <b>902370</b> |     | 244        | 144        | 209        | 65     | 24     | 36     |          |
| <b>902371</b> |     | 304        | 204        | 269        | 65     | 24     | 36     |          |
| <b>902372</b> | M36 | 194        | 114        | 159        | 45     | 30     | 42     | 25.000   |
| <b>902373</b> |     | 244        | 144        | 209        | 65     | 30     | 42     |          |
| <b>902374</b> |     | 304        | 204        | 269        | 65     | 30     | 42     |          |



**Ø125**  
 DIAMETER (mm)



| Art-Nr.       | Sp  | H Tot (mm) | H Min (mm) | H Max (mm) | A (mm) | 1 (mm) | 2 (mm) | Load (N) |
|---------------|-----|------------|------------|------------|--------|--------|--------|----------|
| <b>902375</b> | M12 | 194        | 114        | 159        | 45     | 10     | 17     | 12.000   |
| <b>902376</b> |     | 244        | 144        | 209        | 65     | 10     | 17     |          |
| <b>902377</b> | M16 | 194        | 114        | 159        | 45     | 13     | 19     | 30.000   |
| <b>902378</b> |     | 244        | 144        | 209        | 65     | 13     | 19     |          |
| <b>902379</b> | M20 | 194        | 114        | 159        | 45     | 17     | 24     | 30.000   |
| <b>902380</b> |     | 244        | 144        | 209        | 65     | 17     | 24     |          |
| <b>902381</b> | M24 | 194        | 114        | 159        | 45     | 19     | 30     | 30.000   |
| <b>902382</b> |     | 244        | 144        | 209        | 65     | 19     | 30     |          |
| <b>902383</b> | M30 | 194        | 114        | 159        | 45     | 24     | 36     | 30.000   |
| <b>902384</b> |     | 244        | 144        | 209        | 65     | 24     | 36     |          |
| <b>902385</b> |     | 304        | 204        | 269        | 65     | 24     | 36     |          |
| <b>902386</b> | M36 | 194        | 114        | 159        | 45     | 30     | 42     | 30.000   |
| <b>902387</b> |     | 244        | 144        | 209        | 65     | 30     | 42     |          |
| <b>902388</b> |     | 304        | 204        | 269        | 65     | 30     | 42     |          |

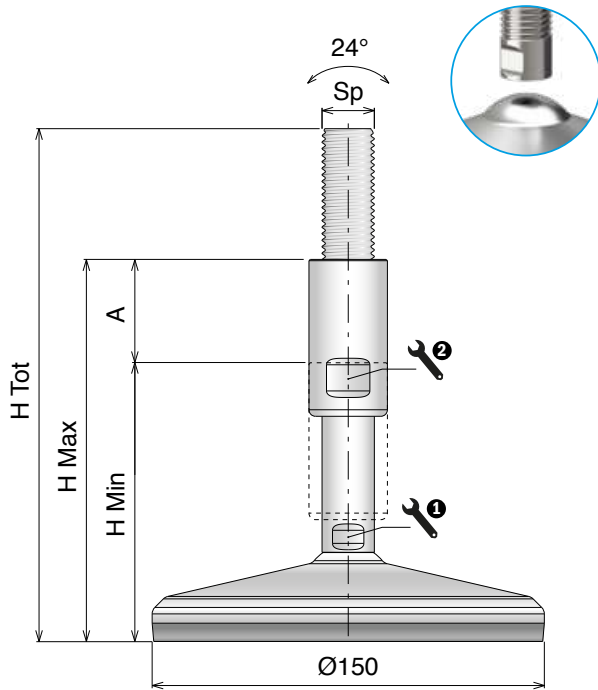
# S400B SPLIT

Piedi di livellamento / Leveling feet / Nivellierfüße

On request vulcanized rubber can be provided  
white or blue and spindle can be made in AISI 316.

## Materiale / Material / Materialien:

Base, stelo, rondella e boccia: Acciaio inox  
Base plate, spindle, washer and cover: Stainless steel  
Fussplatte, Spindel, Scheibe und Hülse: Edelstahl



Ø150  
DIAMETER (mm)



| Art-Nr. | Sp  | H Tot (mm) | H Min (mm) | H Max (mm) | A (mm) | 1 (mm) | 2 (mm) | Load (N) |
|---------|-----|------------|------------|------------|--------|--------|--------|----------|
| 902389  | M12 | 194        | 114        | 159        | 45     | 10     | 17     | 12.000   |
| 902390  |     | 244        | 144        | 209        | 65     | 10     | 17     |          |
| 902391  | M16 | 194        | 114        | 159        | 45     | 13     | 19     | 30.000   |
| 902392  |     | 244        | 144        | 209        | 65     | 13     | 19     |          |
| 902393  | M20 | 194        | 114        | 159        | 45     | 17     | 24     | 45.000   |
| 902394  |     | 244        | 144        | 209        | 65     | 17     | 24     |          |
| 902395  | M24 | 194        | 114        | 159        | 45     | 19     | 30     | 45.000   |
| 902396  |     | 244        | 144        | 209        | 65     | 19     | 30     |          |
| 902397  | M30 | 194        | 114        | 159        | 45     | 24     | 36     | 45.000   |
| 902398  |     | 244        | 144        | 209        | 65     | 24     | 36     |          |
| 902399  |     | 304        | 204        | 269        | 65     | 24     | 36     |          |
| 902400  | M36 | 194        | 114        | 159        | 45     | 30     | 42     | 45.000   |
| 902401  |     | 244        | 144        | 209        | 65     | 30     | 42     |          |
| 902402  |     | 304        | 204        | 269        | 65     | 30     | 42     |          |



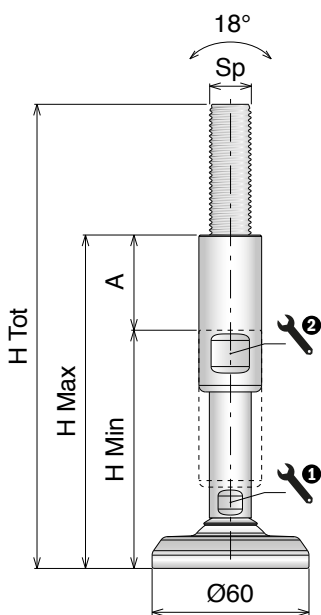
**Materiale / Material / Materialien:**

Base, stelo, rondella e boccia: Acciaio inox  
 Base plate, spindle, washer and cover: Stainless steel  
 Fussplatte, Spindel, Scheibe und Hülse: Edelstahl

On request spindle can be made in AISI 316.

# S400B HEAVY

Piedi di livellamento / Leveling feet / Nivellierfüße



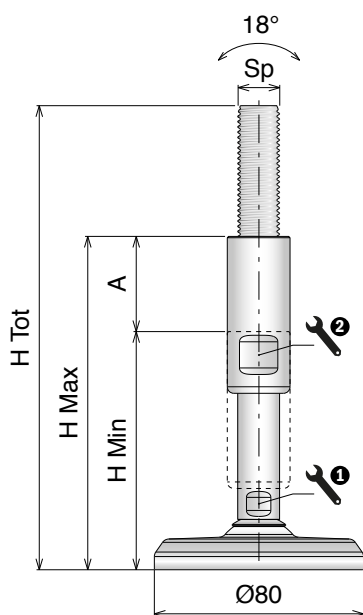
## Ø60

DIAMETER (mm)



HIGH LOAD

| Art-Nr.       | Sp  | H Tot (mm) | H Min (mm) | H Max (mm) | A (mm) | 1 (mm) | 2 (mm) | Load (N) |
|---------------|-----|------------|------------|------------|--------|--------|--------|----------|
| <b>902403</b> | M12 | 177,5      | 97,5       | 142,5      | 45     | 10     | 17     | 12.000   |
| <b>902404</b> |     | 227,5      | 127,5      | 192,5      | 65     | 10     | 17     |          |
| <b>902405</b> | M16 | 177,5      | 97,5       | 142,5      | 45     | 13     | 19     | 30.000   |
| <b>902406</b> |     | 227,5      | 127,5      | 192,5      | 65     | 13     | 19     |          |
| <b>902407</b> | M20 | 177,5      | 97,5       | 142,5      | 45     | 17     | 24     | 45.000   |
| <b>902408</b> |     | 227,5      | 127,5      | 192,5      | 65     | 17     | 24     |          |
| <b>902409</b> | M24 | 177,5      | 97,5       | 142,5      | 45     | 19     | 30     | 60.000   |
| <b>902410</b> |     | 227,5      | 127,5      | 192,5      | 65     | 19     | 30     |          |
| <b>902411</b> | M30 | 177,5      | 97,5       | 142,5      | 45     | 24     | 36     | 60.000   |
| <b>902412</b> |     | 227,5      | 127,5      | 192,5      | 65     | 24     | 36     |          |
| <b>902413</b> |     | 287,5      | 187,5      | 252,5      | 65     | 24     | 36     |          |
| <b>902414</b> | M36 | 177,5      | 97,5       | 142,5      | 45     | 30     | 42     | 60.000   |
| <b>902415</b> |     | 227,5      | 127,5      | 192,5      | 65     | 30     | 42     |          |
| <b>902416</b> |     | 287,5      | 187,5      | 252,5      | 65     | 30     | 42     |          |



## Ø80

DIAMETER (mm)



HIGH LOAD

| Art-Nr.       | Sp  | H Tot (mm) | H Min (mm) | H Max (mm) | A (mm) | 1 (mm) | 2 (mm) | Load (N) |
|---------------|-----|------------|------------|------------|--------|--------|--------|----------|
| <b>902417</b> | M12 | 177,5      | 97,5       | 142,5      | 45     | 10     | 17     | 12.000   |
| <b>902418</b> |     | 227,5      | 127,5      | 192,5      | 65     | 10     | 17     |          |
| <b>902419</b> | M16 | 177,5      | 97,5       | 142,5      | 45     | 13     | 19     | 30.000   |
| <b>902420</b> |     | 227,5      | 127,5      | 192,5      | 65     | 13     | 19     |          |
| <b>902421</b> | M20 | 177,5      | 97,5       | 142,5      | 45     | 17     | 24     | 45.000   |
| <b>902422</b> |     | 227,5      | 127,5      | 192,5      | 65     | 17     | 24     |          |
| <b>902423</b> | M24 | 177,5      | 97,5       | 142,5      | 45     | 19     | 30     | 70.000   |
| <b>902424</b> |     | 227,5      | 127,5      | 192,5      | 65     | 19     | 30     |          |
| <b>902425</b> | M30 | 177,5      | 97,5       | 142,5      | 45     | 24     | 36     | 80.000   |
| <b>902426</b> |     | 227,5      | 127,5      | 192,5      | 65     | 24     | 36     |          |
| <b>902427</b> |     | 287,5      | 187,5      | 252,5      | 65     | 24     | 36     |          |
| <b>902428</b> | M36 | 177,5      | 97,5       | 142,5      | 45     | 30     | 42     | 80.000   |
| <b>902429</b> |     | 227,5      | 127,5      | 192,5      | 65     | 30     | 42     |          |
| <b>902430</b> |     | 287,5      | 187,5      | 252,5      | 65     | 30     | 42     |          |

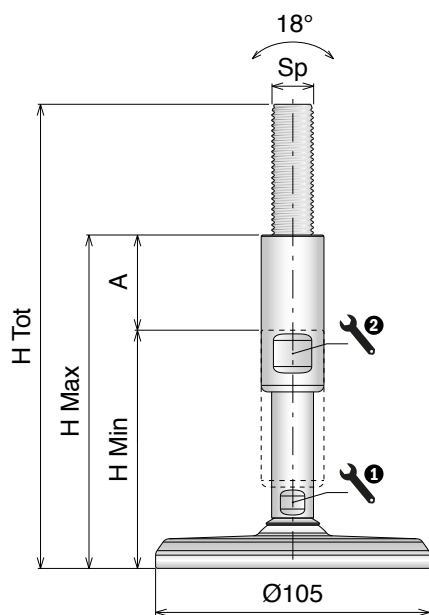
# S400B HEAVY

Piedi di livellamento / Leveling feet / Nivellierfüße

On request spindle can be made in AISI 316.

**Materiale / Material / Materialien:**

Base, stelo, rondella e boccia: Acciaio inox  
Base plate, spindle, washer and cover: Stainless steel  
Fussplatte, Spindel, Scheibe und Hülse: Edelstahl



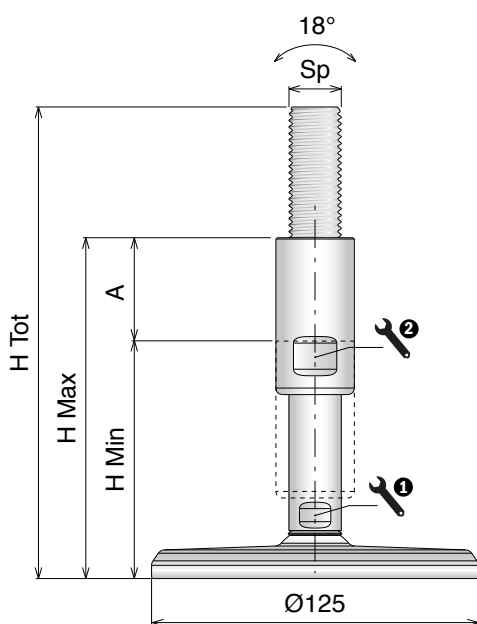
## Ø105

DIAMETER (mm)



HIGH LOAD

| Art-Nr. | Sp  | H Tot (mm) | H Min (mm) | H Max (mm) | A (mm) | 1 (mm) | 2 (mm) | Load (N) |
|---------|-----|------------|------------|------------|--------|--------|--------|----------|
| 902431  | M12 | 177,5      | 97,5       | 142,5      | 45     | 10     | 17     | 12.000   |
| 902432  |     | 227,5      | 127,5      | 192,5      | 65     | 10     | 17     |          |
| 902433  | M16 | 177,5      | 97,5       | 142,5      | 45     | 13     | 19     | 30.000   |
| 902434  |     | 227,5      | 127,5      | 192,5      | 65     | 13     | 19     |          |
| 902435  | M20 | 177,5      | 97,5       | 142,5      | 45     | 17     | 24     | 45.000   |
| 902436  |     | 227,5      | 127,5      | 192,5      | 65     | 17     | 24     |          |
| 902437  | M24 | 177,5      | 97,5       | 142,5      | 45     | 19     | 30     | 70.000   |
| 902438  |     | 227,5      | 127,5      | 192,5      | 65     | 19     | 30     |          |
| 902439  | M30 | 177,5      | 97,5       | 142,5      | 45     | 24     | 36     | 100.000  |
| 902440  |     | 227,5      | 127,5      | 192,5      | 65     | 24     | 36     |          |
| 902441  |     | 287,5      | 187,5      | 252,5      | 65     | 24     | 36     |          |
| 902442  | M36 | 177,5      | 97,5       | 142,5      | 45     | 30     | 42     | 120.000  |
| 902443  |     | 227,5      | 127,5      | 192,5      | 65     | 30     | 42     |          |
| 902444  |     | 287,5      | 187,5      | 252,5      | 65     | 30     | 42     |          |



## Ø125

DIAMETER (mm)



HIGH LOAD

| Art-Nr. | Sp  | H Tot (mm) | H Min (mm) | H Max (mm) | A (mm) | 1 (mm) | 2 (mm) | Load (N) |
|---------|-----|------------|------------|------------|--------|--------|--------|----------|
| 902445  | M12 | 177,5      | 97,5       | 142,5      | 45     | 10     | 17     | 12.000   |
| 902446  |     | 227,5      | 127,5      | 192,5      | 65     | 10     | 17     |          |
| 902447  | M16 | 177,5      | 97,5       | 142,5      | 45     | 13     | 19     | 30.000   |
| 902448  |     | 227,5      | 127,5      | 192,5      | 65     | 13     | 19     |          |
| 902449  | M20 | 177,5      | 97,5       | 142,5      | 45     | 17     | 24     | 45.000   |
| 902450  |     | 227,5      | 127,5      | 192,5      | 65     | 17     | 24     |          |
| 902451  | M24 | 177,5      | 97,5       | 142,5      | 45     | 19     | 30     | 70.000   |
| 902452  |     | 227,5      | 127,5      | 192,5      | 65     | 19     | 30     |          |
| 902453  | M30 | 177,5      | 97,5       | 142,5      | 45     | 24     | 36     | 100.000  |
| 902454  |     | 227,5      | 127,5      | 192,5      | 65     | 24     | 36     |          |
| 902455  |     | 287,5      | 187,5      | 252,5      | 65     | 24     | 36     |          |
| 902456  | M36 | 177,5      | 97,5       | 142,5      | 45     | 30     | 42     | 130.000  |
| 902457  |     | 227,5      | 127,5      | 192,5      | 65     | 30     | 42     |          |
| 902458  |     | 287,5      | 187,5      | 252,5      | 65     | 30     | 42     |          |

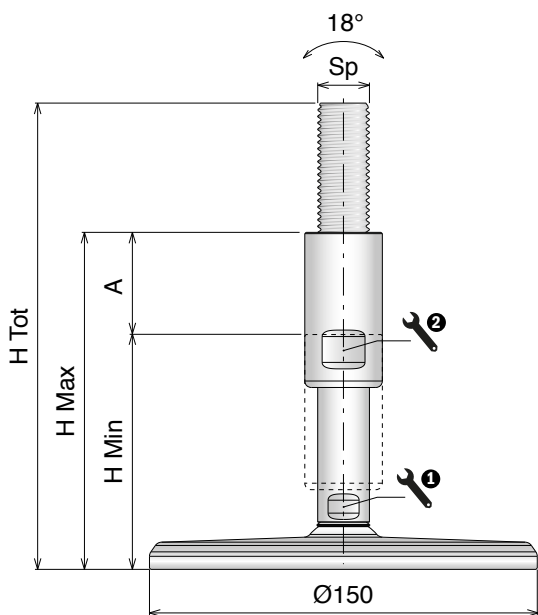
**Materiale / Material / Materialien:**

Base, stelo, rondella e boccia: Acciaio inox  
 Base plate, spindle, washer and cover: Stainless steel  
 Fussplatte, Spindel, Scheibe und Hülse: Edelstahl

On request spindle can be made in AISI 316.

# S400B HEAVY

Piedi di livellamento / Leveling feet / Nivellierfüße



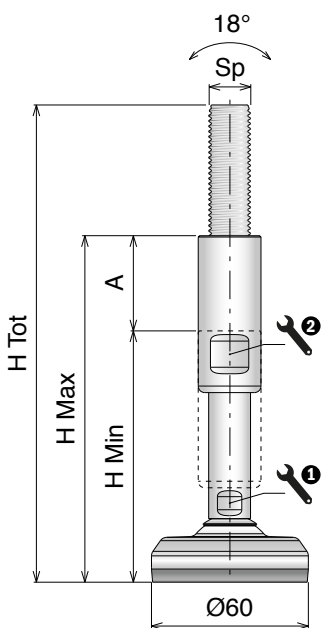
## Ø150

DIAMETER (mm)



HIGH LOAD

| Art-Nr. | Sp  | H Tot (mm) | H Min (mm) | H Max (mm) | A (mm) | 1 (mm) | 2 (mm) | Load (N) |
|---------|-----|------------|------------|------------|--------|--------|--------|----------|
| 902459  | M12 | 177,5      | 97,5       | 142,5      | 45     | 10     | 17     | 12.000   |
| 902460  |     | 227,5      | 127,5      | 192,5      | 65     | 10     | 17     |          |
| 902461  | M16 | 177,5      | 97,5       | 142,5      | 45     | 13     | 19     | 30.000   |
| 902462  |     | 227,5      | 127,5      | 192,5      | 65     | 13     | 19     |          |
| 902463  | M20 | 177,5      | 97,5       | 142,5      | 45     | 17     | 24     | 45.000   |
| 902464  |     | 227,5      | 127,5      | 192,5      | 65     | 17     | 24     |          |
| 902465  | M24 | 177,5      | 97,5       | 142,5      | 45     | 19     | 30     | 70.000   |
| 902466  |     | 227,5      | 127,5      | 192,5      | 65     | 19     | 30     |          |
| 902467  | M30 | 177,5      | 97,5       | 142,5      | 45     | 24     | 36     | 100.000  |
| 902468  |     | 227,5      | 127,5      | 192,5      | 65     | 24     | 36     |          |
| 902469  |     | 287,5      | 187,5      | 252,5      | 65     | 24     | 36     |          |
| 902470  | M36 | 177,5      | 97,5       | 142,5      | 45     | 30     | 42     | 120.000  |
| 902471  |     | 227,5      | 127,5      | 192,5      | 65     | 30     | 42     |          |
| 902472  |     | 287,5      | 187,5      | 252,5      | 65     | 30     | 42     |          |



## Ø60

DIAMETER (mm)



HIGH LOAD



ANTI-SLIP

| Art-Nr. | Sp  | H Tot (mm) | H Min (mm) | H Max (mm) | A (mm) | 1 (mm) | 2 (mm) | Load (N) |
|---------|-----|------------|------------|------------|--------|--------|--------|----------|
| 902473  | M12 | 182,5      | 102,5      | 147,5      | 45     | 10     | 17     | 12.000   |
| 902474  |     | 232,5      | 132,5      | 197,5      | 65     | 10     | 17     |          |
| 902475  | M16 | 182,5      | 102,5      | 147,5      | 45     | 13     | 19     | 30.000   |
| 902476  |     | 232,5      | 132,5      | 197,5      | 65     | 13     | 19     |          |
| 902477  | M20 | 182,5      | 102,5      | 147,5      | 45     | 17     | 24     | 45.000   |
| 902478  |     | 232,5      | 132,5      | 197,5      | 65     | 17     | 24     |          |
| 902479  | M24 | 182,5      | 102,5      | 147,5      | 45     | 19     | 30     | 60.000   |
| 902480  |     | 232,5      | 132,5      | 197,5      | 65     | 19     | 30     |          |
| 902481  | M30 | 182,5      | 102,5      | 147,5      | 45     | 24     | 36     | 60.000   |
| 902482  |     | 232,5      | 132,5      | 197,5      | 65     | 24     | 36     |          |
| 902483  |     | 292,5      | 192,5      | 257,5      | 65     | 24     | 36     |          |
| 902484  | M36 | 182,5      | 102,5      | 147,5      | 45     | 30     | 42     | 60.000   |
| 902485  |     | 232,5      | 132,5      | 197,5      | 65     | 30     | 42     |          |
| 902486  |     | 292,5      | 192,5      | 257,5      | 65     | 30     | 42     |          |

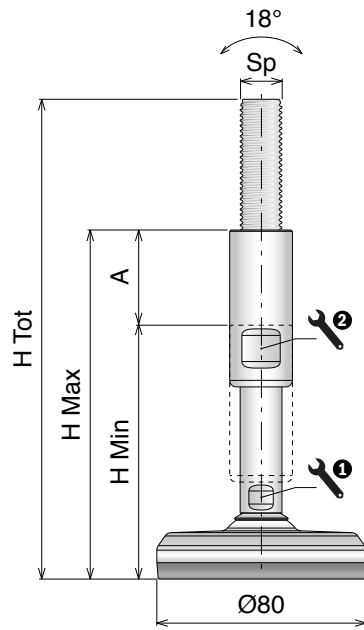
# S400B HEAVY

Piedi di livellamento / Leveling feet / Nivellierfüße

On request vulcanized rubber can be provided  
white or blue and spindle can be made in AISI 316.

**Materiale / Material / Materialien:**

Base, stelo, rondella e boccola: Acciaio inox  
Base plate, spindle, washer and cover: Stainless steel  
Fussplatte, Spindel, Scheibe und Hülse: Edelstahl



## Ø80

DIAMETER (mm)

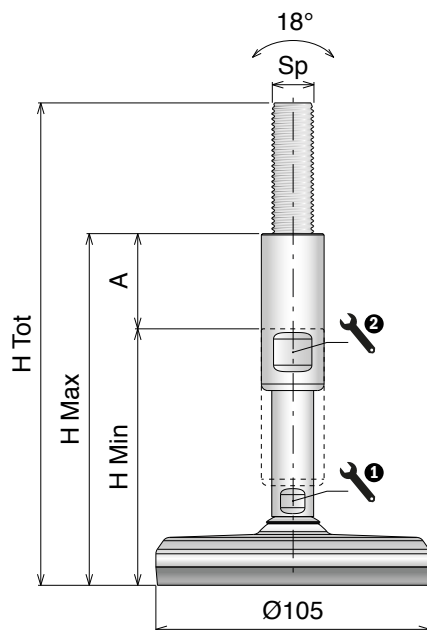


HIGH LOAD



ANTI-SLIP

| Art-Nr.       | Sp  | H Tot (mm) | H Min (mm) | H Max (mm) | A (mm) | 1 (mm) | 2 (mm) | Load (N) |
|---------------|-----|------------|------------|------------|--------|--------|--------|----------|
| <b>902487</b> | M12 | 183,5      | 103,5      | 148,5      | 45     | 10     | 17     | 12.000   |
| <b>902488</b> |     | 233,5      | 133,5      | 198,5      | 65     | 10     | 17     |          |
| <b>902489</b> | M16 | 183,5      | 103,5      | 148,5      | 45     | 13     | 19     | 30.000   |
| <b>902490</b> |     | 233,5      | 133,5      | 198,5      | 65     | 13     | 19     |          |
| <b>902491</b> | M20 | 183,5      | 103,5      | 148,5      | 45     | 17     | 24     | 45.000   |
| <b>902492</b> |     | 233,5      | 133,5      | 198,5      | 65     | 17     | 24     |          |
| <b>902493</b> | M24 | 183,5      | 103,5      | 148,5      | 45     | 19     | 30     | 70.000   |
| <b>902494</b> |     | 233,5      | 133,5      | 198,5      | 65     | 19     | 30     |          |
| <b>902495</b> | M30 | 183,5      | 103,5      | 148,5      | 45     | 24     | 36     | 80.000   |
| <b>902496</b> |     | 233,5      | 133,5      | 198,5      | 65     | 24     | 36     |          |
| <b>902497</b> |     | 293,5      | 193,5      | 258,5      | 65     | 24     | 36     |          |
| <b>902498</b> | M36 | 183,5      | 103,5      | 148,5      | 45     | 30     | 42     | 80.000   |
| <b>902499</b> |     | 233,5      | 133,5      | 198,5      | 65     | 30     | 42     |          |
| <b>902500</b> |     | 293,5      | 193,5      | 258,5      | 65     | 30     | 42     |          |



## Ø105

DIAMETER (mm)



HIGH LOAD



ANTI-SLIP

| Art-Nr.       | Sp  | H Tot (mm) | H Min (mm) | H Max (mm) | A (mm) | 1 (mm) | 2 (mm) | Load (N) |
|---------------|-----|------------|------------|------------|--------|--------|--------|----------|
| <b>902501</b> | M12 | 184,5      | 104,5      | 149,5      | 45     | 10     | 17     | 12.000   |
| <b>902502</b> |     | 234,5      | 134,5      | 199,5      | 65     | 10     | 17     |          |
| <b>902503</b> | M16 | 184,5      | 104,5      | 149,5      | 45     | 13     | 19     | 30.000   |
| <b>902504</b> |     | 234,5      | 134,5      | 199,5      | 65     | 13     | 19     |          |
| <b>902505</b> | M20 | 184,5      | 104,5      | 149,5      | 45     | 17     | 24     | 45.000   |
| <b>902506</b> |     | 234,5      | 134,5      | 199,5      | 65     | 17     | 24     |          |
| <b>902507</b> | M24 | 184,5      | 104,5      | 149,5      | 45     | 19     | 30     | 70.000   |
| <b>902508</b> |     | 234,5      | 134,5      | 199,5      | 65     | 19     | 30     |          |
| <b>902509</b> | M30 | 184,5      | 104,5      | 149,5      | 45     | 24     | 36     | 100.000  |
| <b>902510</b> |     | 234,5      | 134,5      | 199,5      | 65     | 24     | 36     |          |
| <b>902511</b> |     | 294,5      | 194,5      | 259,5      | 65     | 24     | 36     |          |
| <b>902512</b> | M36 | 184,5      | 104,5      | 149,5      | 45     | 30     | 42     | 120.000  |
| <b>902513</b> |     | 234,5      | 134,5      | 199,5      | 65     | 30     | 42     |          |
| <b>902514</b> |     | 294,5      | 194,5      | 259,5      | 65     | 30     | 42     |          |

**Materiale / Material / Materialien:**

Base, stelo, rondella e boccia: Acciaio inox  
 Base plate, spindle, washer and cover: Stainless steel  
 Fussplatte, Spindel, Scheibe und Hülse: Edelstahl

On request vulcanized rubber can be provided  
 white or blue and spindle can be made in AISI 316.

# S400B HEAVY

Piedi di livellamento / Leveling feet / Nivellierfüße

## Ø125

DIAMETER (mm)

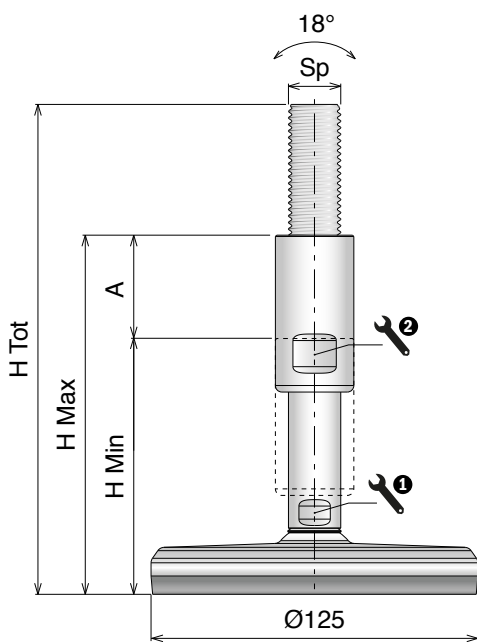


HIGH LOAD



ANTI-SLIP

| Art-Nr.       | Sp  | H Tot (mm) | H Min (mm) | H Max (mm) | A (mm) | 1 (mm) | 2 (mm) | Load (N) |
|---------------|-----|------------|------------|------------|--------|--------|--------|----------|
| <b>902515</b> | M12 | 184,5      | 104,5      | 149,5      | 45     | 10     | 17     | 12.000   |
| <b>902516</b> |     | 234,5      | 134,5      | 199,5      | 65     | 10     | 17     |          |
| <b>902517</b> | M16 | 184,5      | 104,5      | 149,5      | 45     | 13     | 19     | 30.000   |
| <b>902518</b> |     | 234,5      | 134,5      | 199,5      | 65     | 13     | 19     |          |
| <b>902519</b> | M20 | 184,5      | 104,5      | 149,5      | 45     | 17     | 24     | 45.000   |
| <b>902520</b> |     | 234,5      | 134,5      | 199,5      | 65     | 17     | 24     |          |
| <b>902521</b> | M24 | 184,5      | 104,5      | 149,5      | 45     | 19     | 30     | 70.000   |
| <b>902522</b> |     | 234,5      | 134,5      | 199,5      | 65     | 19     | 30     |          |
| <b>902523</b> | M30 | 184,5      | 104,5      | 149,5      | 45     | 24     | 36     | 100.000  |
| <b>902524</b> |     | 234,5      | 134,5      | 199,5      | 65     | 24     | 36     |          |
| <b>902525</b> |     | 294,5      | 194,5      | 259,5      | 65     | 24     | 36     |          |
| <b>902526</b> | M36 | 184,5      | 104,5      | 149,5      | 45     | 30     | 42     | 130.000  |
| <b>902527</b> |     | 234,5      | 134,5      | 199,5      | 65     | 30     | 42     |          |
| <b>902528</b> |     | 294,5      | 194,5      | 259,5      | 65     | 30     | 42     |          |



## Ø150

DIAMETER (mm)

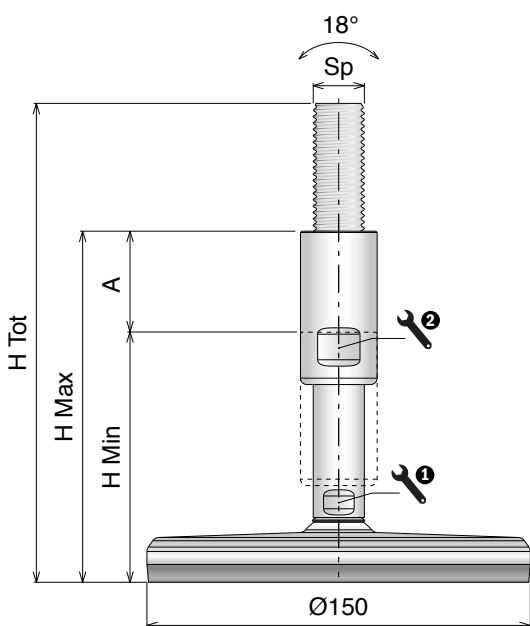


HIGH LOAD



ANTI-SLIP

| Art-Nr.       | Sp  | H Tot (mm) | H Min (mm) | H Max (mm) | A (mm) | 1 (mm) | 2 (mm) | Load (N) |
|---------------|-----|------------|------------|------------|--------|--------|--------|----------|
| <b>902529</b> | M12 | 184,5      | 104,5      | 149,5      | 45     | 10     | 17     | 12.000   |
| <b>902530</b> |     | 234,5      | 134,5      | 199,5      | 65     | 10     | 17     |          |
| <b>902531</b> | M16 | 184,5      | 104,5      | 149,5      | 45     | 13     | 19     | 30.000   |
| <b>902532</b> |     | 234,5      | 134,5      | 199,5      | 65     | 13     | 19     |          |
| <b>902533</b> | M20 | 184,5      | 104,5      | 149,5      | 45     | 17     | 24     | 45.000   |
| <b>902534</b> |     | 234,5      | 134,5      | 199,5      | 65     | 17     | 24     |          |
| <b>902535</b> | M24 | 184,5      | 104,5      | 149,5      | 45     | 19     | 30     | 70.000   |
| <b>902536</b> |     | 234,5      | 134,5      | 199,5      | 65     | 19     | 30     |          |
| <b>902537</b> | M30 | 184,5      | 104,5      | 149,5      | 45     | 24     | 36     | 100.000  |
| <b>902538</b> |     | 234,5      | 134,5      | 199,5      | 65     | 24     | 36     |          |
| <b>902539</b> |     | 294,5      | 194,5      | 259,5      | 65     | 24     | 36     |          |
| <b>902540</b> | M36 | 184,5      | 104,5      | 149,5      | 45     | 30     | 42     | 150.000  |
| <b>902541</b> |     | 234,5      | 134,5      | 199,5      | 65     | 30     | 42     |          |
| <b>902542</b> |     | 294,5      | 194,5      | 259,5      | 65     | 30     | 42     |          |



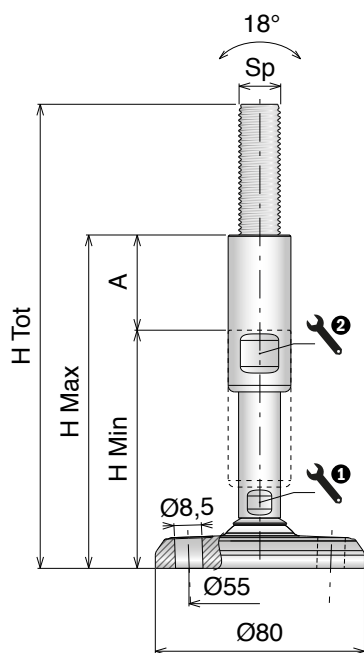
# S400B HEAVY

Piedi di livellamento / Leveling feet / Nivellierfüße

On request spindle can be made in AISI 316.

**Materiale / Material / Materialien:**

Base, stelo, rondella e boccola: Acciaio inox  
Base plate, spindle, washer and cover: Stainless steel  
Fussplatte, Spindel, Scheibe und Hülse: Edelstahl



## Ø 80

DIAMETER (mm)

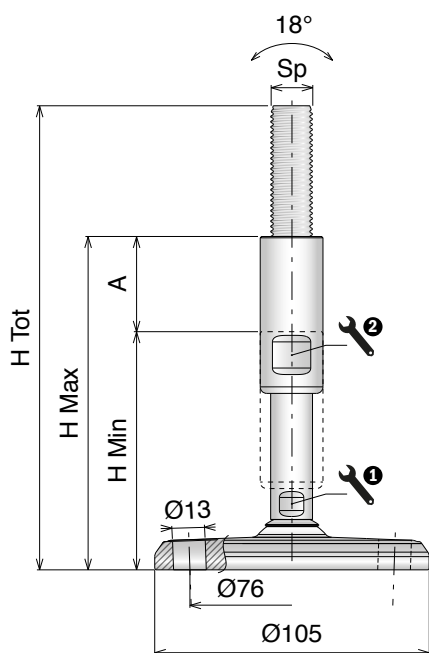


HIGH LOAD



FIXING POINT

| Art-Nr.       | Sp  | H Tot (mm) | H Min (mm) | H Max (mm) | A (mm) | 1 (mm) | 2 (mm) | Load (N) |
|---------------|-----|------------|------------|------------|--------|--------|--------|----------|
| <b>902557</b> | M12 | 177,5      | 97,5       | 142,5      | 45     | 10     | 17     | 12.000   |
| <b>902558</b> |     | 227,5      | 127,5      | 192,5      | 65     | 10     | 17     |          |
| <b>902559</b> | M16 | 177,5      | 97,5       | 142,5      | 45     | 13     | 19     | 30.000   |
| <b>902560</b> |     | 227,5      | 127,5      | 192,5      | 65     | 13     | 19     |          |
| <b>902561</b> | M20 | 177,5      | 97,5       | 142,5      | 45     | 17     | 24     | 45.000   |
| <b>902562</b> |     | 227,5      | 127,5      | 192,5      | 65     | 17     | 24     |          |
| <b>902563</b> | M24 | 177,5      | 97,5       | 142,5      | 45     | 19     | 30     | 70.000   |
| <b>902564</b> |     | 227,5      | 127,5      | 192,5      | 65     | 19     | 30     |          |
| <b>902565</b> | M30 | 177,5      | 97,5       | 142,5      | 45     | 24     | 36     | 80.000   |
| <b>902566</b> |     | 227,5      | 127,5      | 192,5      | 65     | 24     | 36     |          |
| <b>902567</b> |     | 287,5      | 187,5      | 252,5      | 65     | 24     | 36     |          |
| <b>902568</b> | M36 | 177,5      | 97,5       | 142,5      | 45     | 30     | 42     | 80.000   |
| <b>902569</b> |     | 227,5      | 127,5      | 192,5      | 65     | 30     | 42     |          |
| <b>902570</b> |     | 287,5      | 187,5      | 252,5      | 65     | 30     | 42     |          |



## Ø 105

DIAMETER (mm)



HIGH LOAD



FIXING POINT

| Art-Nr.       | Sp  | H Tot (mm) | H Min (mm) | H Max (mm) | A (mm) | 1 (mm) | 2 (mm) | Load (N) |
|---------------|-----|------------|------------|------------|--------|--------|--------|----------|
| <b>902571</b> | M12 | 177,5      | 97,5       | 142,5      | 45     | 10     | 17     | 12.000   |
| <b>902572</b> |     | 227,5      | 127,5      | 192,5      | 65     | 10     | 17     |          |
| <b>902573</b> | M16 | 177,5      | 97,5       | 142,5      | 45     | 13     | 19     | 30.000   |
| <b>902574</b> |     | 227,5      | 127,5      | 192,5      | 65     | 13     | 19     |          |
| <b>902575</b> | M20 | 177,5      | 97,5       | 142,5      | 45     | 17     | 24     | 45.000   |
| <b>902576</b> |     | 227,5      | 127,5      | 192,5      | 65     | 17     | 24     |          |
| <b>902577</b> | M24 | 177,5      | 97,5       | 142,5      | 45     | 19     | 30     | 70.000   |
| <b>902578</b> |     | 227,5      | 127,5      | 192,5      | 65     | 19     | 30     |          |
| <b>902579</b> | M30 | 177,5      | 97,5       | 142,5      | 45     | 24     | 36     | 100.000  |
| <b>902580</b> |     | 227,5      | 127,5      | 192,5      | 65     | 24     | 36     |          |
| <b>902581</b> |     | 287,5      | 187,5      | 252,5      | 65     | 24     | 36     |          |
| <b>902582</b> | M36 | 177,5      | 97,5       | 142,5      | 45     | 30     | 42     | 120.000  |
| <b>902583</b> |     | 227,5      | 127,5      | 192,5      | 65     | 30     | 42     |          |
| <b>902584</b> |     | 287,5      | 187,5      | 252,5      | 65     | 30     | 42     |          |

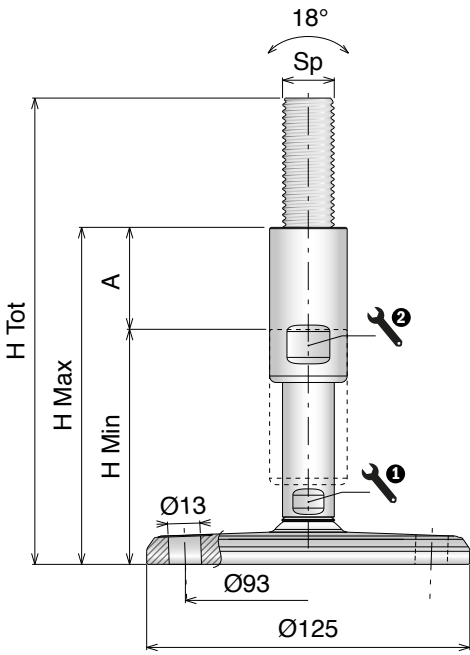
**Materiale / Material / Materialien:**

Base, stelo, rondella e boccia: Acciaio inox  
 Base plate, spindle, washer and cover: Stainless steel  
 Fussplatte, Spindel, Scheibe und Hülse: Edelstahl

On request spindle can be made in AISI 316.

# S400B HEAVY

Piedi di livellamento / Leveling feet / Nivellierfüße



## Ø125

DIAMETER (mm)

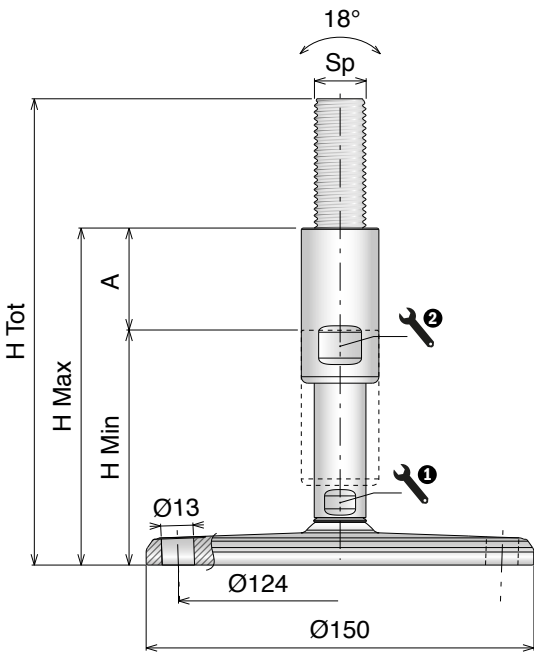


HIGH LOAD



FIXING POINT

| Art-Nr. | Sp  | H Tot (mm) | H Min (mm) | H Max (mm) | A (mm) | 1 (mm) | 2 (mm) | Load (N) |
|---------|-----|------------|------------|------------|--------|--------|--------|----------|
| 902585  | M12 | 177,5      | 97,5       | 142,5      | 45     | 10     | 17     | 12.000   |
| 902586  |     | 227,5      | 127,5      | 192,5      | 65     | 10     | 17     |          |
| 902587  | M16 | 177,5      | 97,5       | 142,5      | 45     | 13     | 19     | 30.000   |
| 902588  |     | 227,5      | 127,5      | 192,5      | 65     | 13     | 19     |          |
| 902589  | M20 | 177,5      | 97,5       | 142,5      | 45     | 17     | 24     | 45.000   |
| 902590  |     | 227,5      | 127,5      | 192,5      | 65     | 17     | 24     |          |
| 902591  | M24 | 177,5      | 97,5       | 142,5      | 45     | 19     | 30     | 70.000   |
| 902592  |     | 227,5      | 127,5      | 192,5      | 65     | 19     | 30     |          |
| 902593  | M30 | 177,5      | 97,5       | 142,5      | 45     | 24     | 36     | 100.000  |
| 902594  |     | 227,5      | 127,5      | 192,5      | 65     | 24     | 36     |          |
| 902595  |     | 287,5      | 187,5      | 252,5      | 65     | 24     | 36     |          |
| 902596  | M36 | 177,5      | 97,5       | 142,5      | 45     | 30     | 42     | 130.000  |
| 902597  |     | 227,5      | 127,5      | 192,5      | 65     | 30     | 42     |          |
| 902598  |     | 287,5      | 187,5      | 252,5      | 65     | 30     | 42     |          |



## Ø150

DIAMETER (mm)



HIGH LOAD



FIXING POINT

| Art-Nr. | Sp  | H Tot (mm) | H Min (mm) | H Max (mm) | A (mm) | 1 (mm) | 2 (mm) | Load (N) |
|---------|-----|------------|------------|------------|--------|--------|--------|----------|
| 902599  | M12 | 177,5      | 97,5       | 142,5      | 45     | 10     | 17     | 12.000   |
| 902600  |     | 227,5      | 127,5      | 192,5      | 65     | 10     | 17     |          |
| 902601  | M16 | 177,5      | 97,5       | 142,5      | 45     | 13     | 19     | 30.000   |
| 902602  |     | 227,5      | 127,5      | 192,5      | 65     | 13     | 19     |          |
| 902603  | M20 | 177,5      | 97,5       | 142,5      | 45     | 17     | 24     | 45.000   |
| 902604  |     | 227,5      | 127,5      | 192,5      | 65     | 17     | 24     |          |
| 902605  | M24 | 177,5      | 97,5       | 142,5      | 45     | 19     | 30     | 70.000   |
| 902606  |     | 227,5      | 127,5      | 192,5      | 65     | 19     | 30     |          |
| 902607  | M30 | 177,5      | 97,5       | 142,5      | 45     | 24     | 36     | 100.000  |
| 902608  |     | 227,5      | 127,5      | 192,5      | 65     | 24     | 36     |          |
| 902609  |     | 287,5      | 187,5      | 252,5      | 65     | 24     | 36     |          |
| 902610  | M36 | 177,5      | 97,5       | 142,5      | 45     | 30     | 42     | 150.000  |
| 902611  |     | 227,5      | 127,5      | 192,5      | 65     | 30     | 42     |          |
| 902612  |     | 287,5      | 187,5      | 252,5      | 65     | 30     | 42     |          |

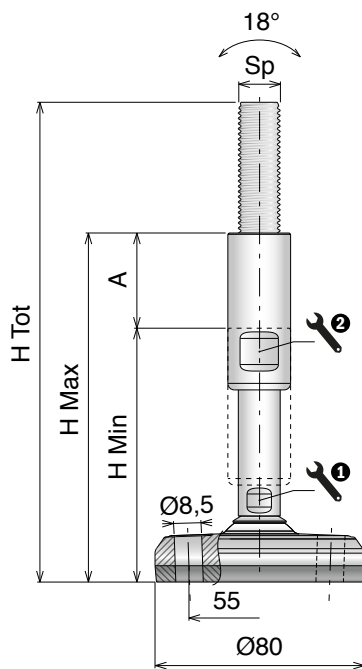
# S400B HEAVY

Piedi di livellamento / Leveling feet / Nivellierfüße

On request vulcanized rubber can be provided  
white or blue and spindle can be made in AISI 316.

**Materiale / Material / Materialien:**

Base, stelo, rondella e boccola: Acciaio inox  
Base plate, spindle, washer and cover: Stainless steel  
Fussplatte, Spindel, Scheibe und Hülse: Edelstahl

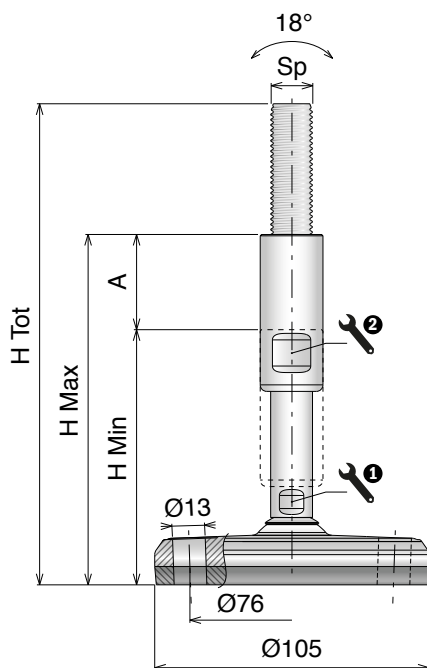


## Ø80

DIAMETER (mm)



| Art-Nr.       | Sp  | H Tot (mm) | H Min (mm) | H Max (mm) | A (mm) | 1 (mm) | 2 (mm) | Load (N) |
|---------------|-----|------------|------------|------------|--------|--------|--------|----------|
| <b>902627</b> | M12 | 183,5      | 103,5      | 148,5      | 45     | 10     | 17     | 12.000   |
| <b>902628</b> |     | 233,5      | 133,5      | 198,5      | 65     | 10     | 17     |          |
| <b>902629</b> | M16 | 183,5      | 103,5      | 148,5      | 45     | 13     | 19     | 30.000   |
| <b>902630</b> |     | 233,5      | 133,5      | 198,5      | 65     | 13     | 19     |          |
| <b>902631</b> | M20 | 183,5      | 103,5      | 148,5      | 45     | 17     | 24     | 45.000   |
| <b>902632</b> |     | 233,5      | 133,5      | 198,5      | 65     | 17     | 24     |          |
| <b>902633</b> | M24 | 183,5      | 103,5      | 148,5      | 45     | 19     | 30     | 80.000   |
| <b>902634</b> |     | 233,5      | 133,5      | 198,5      | 65     | 19     | 30     |          |
| <b>902635</b> | M30 | 183,5      | 103,5      | 148,5      | 45     | 24     | 36     | 80.000   |
| <b>902636</b> |     | 233,5      | 133,5      | 198,5      | 65     | 24     | 36     |          |
| <b>902637</b> |     | 293,5      | 193,5      | 258,5      | 65     | 24     | 36     |          |
| <b>902638</b> | M36 | 183,5      | 103,5      | 148,5      | 45     | 30     | 42     | 80.000   |
| <b>902639</b> |     | 233,5      | 133,5      | 198,5      | 65     | 30     | 42     |          |
| <b>902640</b> |     | 293,5      | 193,5      | 258,5      | 65     | 30     | 42     |          |



## Ø105

DIAMETER (mm)



| Art-Nr.       | Sp  | H Tot (mm) | H Min (mm) | H Max (mm) | A (mm) | 1 (mm) | 2 (mm) | Load (N) |
|---------------|-----|------------|------------|------------|--------|--------|--------|----------|
| <b>902641</b> | M12 | 184,5      | 104,5      | 149,5      | 45     | 10     | 17     | 12.000   |
| <b>902642</b> |     | 234,5      | 134,5      | 199,5      | 65     | 10     | 17     |          |
| <b>902643</b> | M16 | 184,5      | 104,5      | 149,5      | 45     | 13     | 19     | 30.000   |
| <b>902644</b> |     | 234,5      | 134,5      | 199,5      | 65     | 13     | 19     |          |
| <b>902645</b> | M20 | 184,5      | 104,5      | 149,5      | 45     | 17     | 24     | 45.000   |
| <b>902646</b> |     | 234,5      | 134,5      | 199,5      | 65     | 17     | 24     |          |
| <b>902647</b> | M24 | 184,5      | 104,5      | 149,5      | 45     | 19     | 30     | 70.000   |
| <b>902648</b> |     | 234,5      | 134,5      | 199,5      | 65     | 19     | 30     |          |
| <b>902649</b> | M30 | 184,5      | 104,5      | 149,5      | 45     | 24     | 36     | 100.000  |
| <b>902650</b> |     | 234,5      | 134,5      | 199,5      | 65     | 24     | 36     |          |
| <b>902651</b> |     | 294,5      | 194,5      | 259,5      | 65     | 24     | 36     |          |
| <b>902652</b> | M36 | 184,5      | 104,5      | 149,5      | 45     | 30     | 42     | 120.000  |
| <b>902653</b> |     | 234,5      | 134,5      | 199,5      | 65     | 30     | 42     |          |
| <b>902654</b> |     | 294,5      | 194,5      | 259,5      | 65     | 30     | 42     |          |



**Materiale / Material / Materialien:**

Base, stelo, rondella e boccia: Acciaio inox  
 Base plate, spindle, washer and cover: Stainless steel  
 Fussplatte, Spindel, Scheibe und Hülse: Edelstahl

On request vulcanized rubber can be provided  
 white or blue and spindle can be made in AISI 316.

# S400B HEAVY

Piedi di livellamento / Leveling feet / Nivellierfüße

## Ø125

DIAMETER (mm)



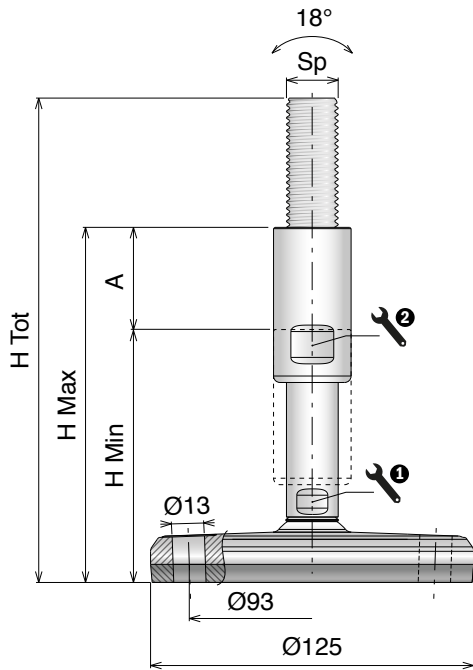
HIGH LOAD



FIXING POINT



ANTI-SLIP



| Art-Nr.       | Sp  | H Tot (mm) | H Min (mm) | H Max (mm) | A (mm) | 1 (mm) | 2 (mm) | Load (N) |
|---------------|-----|------------|------------|------------|--------|--------|--------|----------|
| <b>902655</b> | M12 | 184,5      | 104,5      | 149,5      | 45     | 10     | 17     | 12.000   |
| <b>902656</b> |     | 234,5      | 134,5      | 199,5      | 65     | 10     | 17     |          |
| <b>902657</b> | M16 | 184,5      | 104,5      | 149,5      | 45     | 13     | 19     | 30.000   |
| <b>902658</b> |     | 234,5      | 134,5      | 199,5      | 65     | 13     | 19     |          |
| <b>902659</b> | M20 | 184,5      | 104,5      | 149,5      | 45     | 17     | 24     | 45.000   |
| <b>902660</b> |     | 234,5      | 134,5      | 199,5      | 65     | 17     | 24     |          |
| <b>902661</b> | M24 | 184,5      | 104,5      | 149,5      | 45     | 19     | 30     | 70.000   |
| <b>902662</b> |     | 234,5      | 134,5      | 199,5      | 65     | 19     | 30     |          |
| <b>902663</b> | M30 | 184,5      | 104,5      | 149,5      | 45     | 24     | 36     | 100.000  |
| <b>902664</b> |     | 234,5      | 134,5      | 199,5      | 65     | 24     | 36     |          |
| <b>902665</b> |     | 294,5      | 194,5      | 259,5      | 65     | 24     | 36     |          |
| <b>902666</b> | M36 | 184,5      | 104,5      | 149,5      | 45     | 30     | 42     | 130.000  |
| <b>902667</b> |     | 234,5      | 134,5      | 199,5      | 65     | 30     | 42     |          |
| <b>902668</b> |     | 294,5      | 194,5      | 259,5      | 65     | 30     | 42     |          |

## Ø150

DIAMETER (mm)



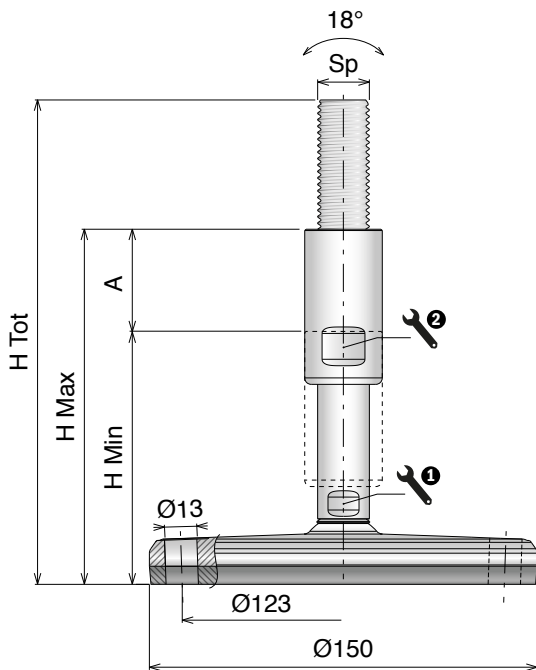
HIGH LOAD



FIXING POINT



ANTI-SLIP



| Art-Nr.       | Sp  | H Tot (mm) | H Min (mm) | H Max (mm) | A (mm) | 1 (mm) | 2 (mm) | Load (N) |
|---------------|-----|------------|------------|------------|--------|--------|--------|----------|
| <b>902669</b> | M12 | 184,5      | 104,5      | 149,5      | 45     | 10     | 17     | 12.000   |
| <b>902670</b> |     | 234,5      | 134,5      | 199,5      | 65     | 10     | 17     |          |
| <b>902671</b> | M16 | 184,5      | 104,5      | 149,5      | 45     | 13     | 19     | 30.000   |
| <b>902672</b> |     | 234,5      | 134,5      | 199,5      | 65     | 13     | 19     |          |
| <b>902673</b> | M20 | 184,5      | 104,5      | 149,5      | 45     | 17     | 24     | 45.000   |
| <b>902674</b> |     | 234,5      | 134,5      | 199,5      | 65     | 17     | 24     |          |
| <b>902675</b> | M24 | 184,5      | 104,5      | 149,5      | 45     | 19     | 30     | 70.000   |
| <b>902676</b> |     | 234,5      | 134,5      | 199,5      | 65     | 19     | 30     |          |
| <b>902677</b> | M30 | 184,5      | 104,5      | 149,5      | 45     | 24     | 36     | 100.000  |
| <b>902678</b> |     | 234,5      | 134,5      | 199,5      | 65     | 24     | 36     |          |
| <b>902679</b> |     | 294,5      | 194,5      | 259,5      | 65     | 24     | 36     |          |
| <b>902680</b> | M36 | 184,5      | 104,5      | 149,5      | 45     | 30     | 42     | 150.000  |
| <b>902681</b> |     | 234,5      | 134,5      | 199,5      | 65     | 30     | 42     |          |
| <b>902682</b> |     | 294,5      | 194,5      | 259,5      | 65     | 30     | 42     |          |

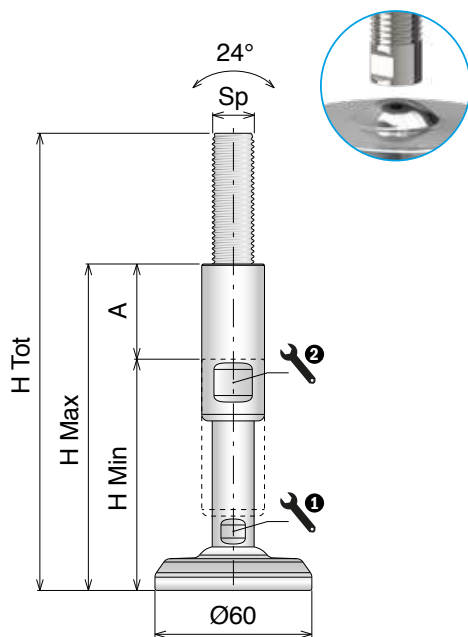
# S400B HEAVY-SPLIT

Piedi di livellamento / Leveling feet / Nivellierfüße

On request vulcanized rubber can be provided  
white or blue and spindle can be made in AISI 316.

**Materiale / Material / Materialien:**

Base, stelo e boccola: Acciaio inox  
Base plate, spindle and cover: Stainless steel  
Fussplatte, Spindel und Hülse: Edelstahl



## Ø60

DIAMETER (mm)

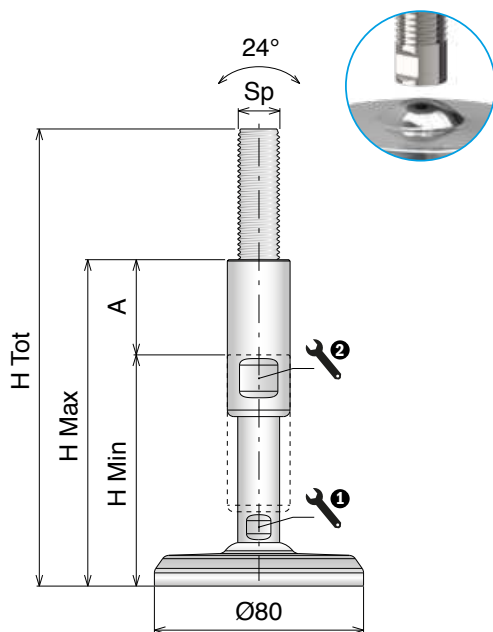


HIGH LOAD



SLIT VERSION

| Art-Nr.       | Sp  | H Tot (mm) | H Min (mm) | H Max (mm) | A (mm) | 1 (mm) | 2 (mm) | Load (N) |
|---------------|-----|------------|------------|------------|--------|--------|--------|----------|
| <b>902683</b> | M12 | 176,5      | 96,5       | 141,5      | 45     | 10     | 17     | 12.000   |
| <b>902684</b> |     | 226,5      | 126,5      | 191,5      | 65     | 10     | 17     |          |
| <b>902685</b> | M16 | 176,5      | 96,5       | 141,5      | 45     | 13     | 19     | 30.000   |
| <b>902686</b> |     | 226,5      | 126,5      | 191,5      | 65     | 13     | 19     |          |
| <b>902687</b> | M20 | 176,5      | 96,5       | 141,5      | 45     | 17     | 24     | 45.000   |
| <b>902688</b> |     | 226,5      | 126,5      | 191,5      | 65     | 17     | 24     |          |
| <b>902689</b> | M24 | 176,5      | 96,5       | 141,5      | 45     | 19     | 30     | 60.000   |
| <b>902690</b> |     | 226,5      | 126,5      | 191,5      | 65     | 19     | 30     |          |
| <b>902691</b> | M30 | 176,5      | 96,5       | 141,5      | 45     | 24     | 36     | 60.000   |
| <b>902692</b> |     | 226,5      | 126,5      | 191,5      | 65     | 24     | 36     |          |
| <b>902693</b> |     | 286,5      | 186,5      | 251,5      | 65     | 24     | 36     |          |
| <b>902694</b> | M36 | 176,5      | 96,5       | 141,5      | 45     | 30     | 42     | 60.000   |
| <b>902695</b> |     | 226,5      | 126,5      | 191,5      | 65     | 30     | 42     |          |
| <b>902696</b> |     | 286,5      | 186,5      | 251,5      | 65     | 30     | 42     |          |



## Ø80

DIAMETER (mm)



HIGH LOAD



SLIT VERSION

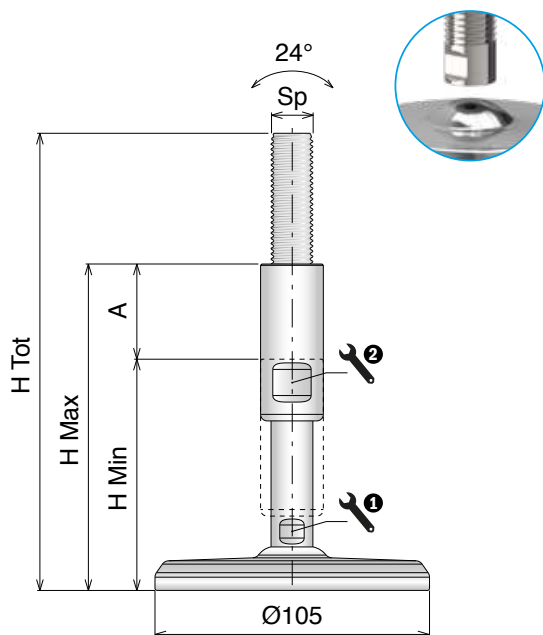
| Art-Nr.       | Sp  | H Tot (mm) | H Min (mm) | H Max (mm) | A (mm) | 1 (mm) | 2 (mm) | Load (N) |
|---------------|-----|------------|------------|------------|--------|--------|--------|----------|
| <b>902697</b> | M12 | 176,5      | 97,5       | 142,5      | 45     | 10     | 17     | 12.000   |
| <b>902698</b> |     | 226,5      | 127,5      | 192,5      | 65     | 10     | 17     |          |
| <b>902699</b> | M16 | 176,5      | 96,5       | 141,5      | 45     | 13     | 19     | 30.000   |
| <b>902700</b> |     | 226,5      | 126,5      | 191,5      | 65     | 13     | 19     |          |
| <b>902701</b> | M20 | 176,5      | 96,5       | 141,5      | 45     | 17     | 24     | 45.000   |
| <b>902702</b> |     | 226,5      | 126,5      | 191,5      | 65     | 17     | 24     |          |
| <b>902703</b> | M24 | 176,5      | 96,5       | 141,5      | 45     | 19     | 30     | 70.000   |
| <b>902704</b> |     | 226,5      | 126,5      | 191,5      | 65     | 19     | 30     |          |
| <b>902705</b> | M30 | 176,5      | 96,5       | 141,5      | 45     | 24     | 36     | 80.000   |
| <b>902706</b> |     | 226,5      | 126,5      | 191,5      | 65     | 24     | 36     |          |
| <b>902707</b> |     | 286,5      | 186,5      | 251,5      | 65     | 24     | 36     |          |
| <b>902708</b> | M36 | 176,5      | 96,5       | 141,5      | 45     | 30     | 42     | 80.000   |
| <b>902709</b> |     | 226,5      | 126,5      | 191,5      | 65     | 30     | 42     |          |
| <b>902710</b> |     | 286,5      | 186,5      | 251,5      | 65     | 30     | 42     |          |

**Materiale / Material / Materialien:**  
 Base, stelo e boccia: Acciaio inox  
 Base plate, spindle and cover: Stainless steel  
 Fussplatte, Spindel und Hülse: Edelstahl

On request vulcanized rubber can be provided  
 white or blue and spindle can be made in AISI 316.

# S400B HEAVY-SPLIT

Piedi di livellamento / Leveling feet / Nivellierfüße

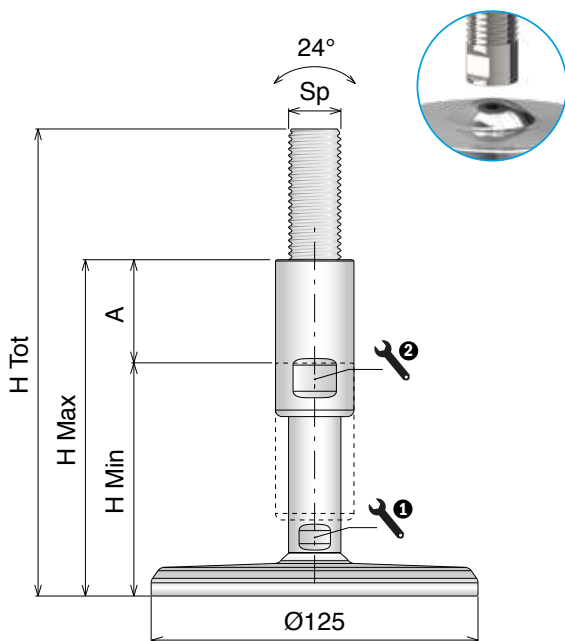


**Ø105**  
 DIAMETER (mm)

**Kg**  
 HIGH LOAD

**SLIT VERSION**

| Art-Nr.       | Sp  | H Tot (mm) | H Min (mm) | H Max (mm) | A (mm) | 1 (mm) | 2 (mm) | Load (N) |
|---------------|-----|------------|------------|------------|--------|--------|--------|----------|
| <b>902711</b> | M12 | 176,5      | 96,5       | 141,5      | 45     | 10     | 17     | 12.000   |
| <b>902712</b> |     | 226,5      | 126,5      | 191,5      | 65     | 10     | 17     |          |
| <b>902713</b> | M16 | 176,5      | 96,5       | 141,5      | 45     | 13     | 19     | 30.000   |
| <b>902714</b> |     | 226,5      | 126,5      | 191,5      | 65     | 13     | 19     |          |
| <b>902715</b> | M20 | 176,5      | 96,5       | 141,5      | 45     | 17     | 24     | 45.000   |
| <b>902716</b> |     | 226,5      | 126,5      | 191,5      | 65     | 17     | 24     |          |
| <b>902717</b> | M24 | 176,5      | 96,5       | 141,5      | 45     | 19     | 30     | 70.000   |
| <b>902718</b> |     | 226,5      | 126,5      | 191,5      | 65     | 19     | 30     |          |
| <b>902719</b> | M30 | 176,5      | 96,5       | 141,5      | 45     | 24     | 36     | 100.000  |
| <b>902720</b> |     | 226,5      | 126,5      | 191,5      | 65     | 24     | 36     |          |
| <b>902721</b> |     | 286,5      | 186,5      | 251,5      | 65     | 24     | 36     |          |
| <b>902722</b> | M36 | 176,5      | 96,5       | 141,5      | 45     | 30     | 42     | 120.000  |
| <b>902723</b> |     | 226,5      | 126,5      | 191,5      | 65     | 30     | 42     |          |
| <b>902724</b> |     | 286,5      | 186,5      | 251,5      | 65     | 30     | 42     |          |



**Ø125**  
 DIAMETER (mm)

**Kg**  
 HIGH LOAD

**SLIT VERSION**

| Art-Nr.       | Sp  | H Tot (mm) | H Min (mm) | H Max (mm) | A (mm) | 1 (mm) | 2 (mm) | Load (N) |
|---------------|-----|------------|------------|------------|--------|--------|--------|----------|
| <b>902725</b> | M12 | 176,5      | 96,5       | 141,5      | 45     | 10     | 17     | 12.000   |
| <b>902726</b> |     | 226,5      | 126,5      | 191,5      | 65     | 10     | 17     |          |
| <b>902727</b> | M16 | 176,5      | 96,5       | 141,5      | 45     | 13     | 19     | 30.000   |
| <b>902728</b> |     | 226,5      | 126,5      | 191,5      | 65     | 13     | 19     |          |
| <b>902729</b> | M20 | 176,5      | 96,5       | 141,5      | 45     | 17     | 24     | 45.000   |
| <b>902730</b> |     | 226,5      | 126,5      | 191,5      | 65     | 17     | 24     |          |
| <b>902731</b> | M24 | 176,5      | 96,5       | 141,5      | 45     | 19     | 30     | 70.000   |
| <b>902732</b> |     | 226,5      | 126,5      | 191,5      | 65     | 19     | 30     |          |
| <b>902733</b> | M30 | 176,5      | 96,5       | 141,5      | 45     | 24     | 36     | 100.000  |
| <b>902734</b> |     | 226,5      | 126,5      | 191,5      | 65     | 24     | 36     |          |
| <b>902735</b> |     | 286,5      | 186,5      | 251,5      | 65     | 24     | 36     |          |
| <b>902736</b> | M36 | 176,5      | 96,5       | 141,5      | 45     | 30     | 42     | 130.000  |
| <b>902737</b> |     | 226,5      | 126,5      | 191,5      | 65     | 30     | 42     |          |
| <b>902738</b> |     | 286,5      | 186,5      | 251,5      | 65     | 30     | 42     |          |

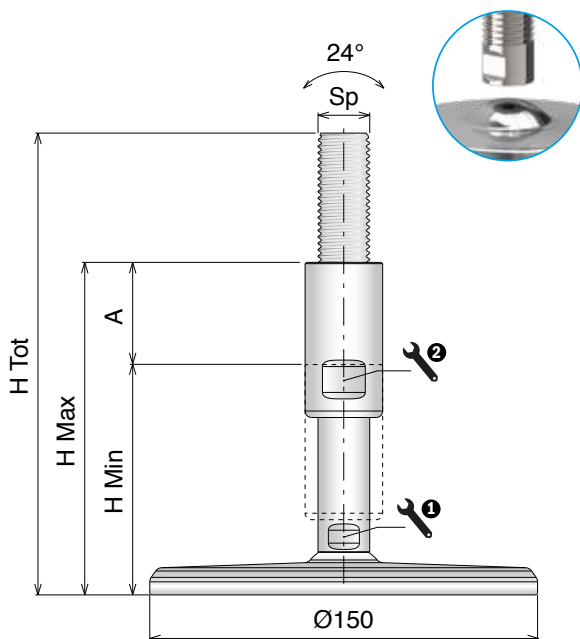
# S400B HEAVY-SPLIT

Piedi di livellamento / Leveling feet / Nivellierfüße

On request vulcanized rubber can be provided  
white or blue and spindle can be made in AISI 316.

**Materiale / Material / Materialien:**

Base, stelo e boccola: Acciaio inox  
Base plate, spindle and cover: Stainless steel  
Fussplatte, Spindel und Hülse: Edelstahl



## Ø150

DIAMETER (mm)

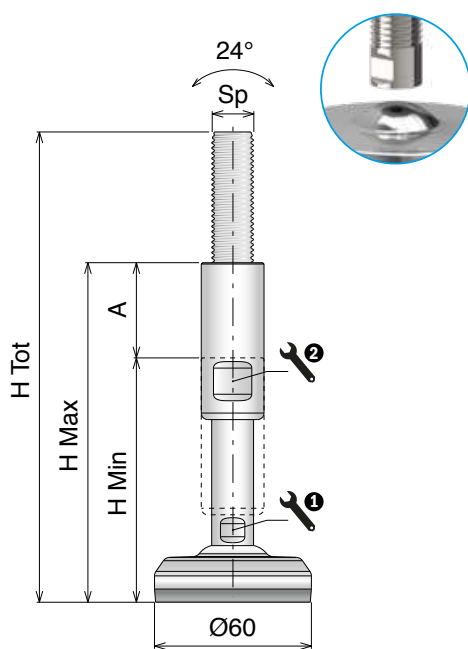


HIGH LOAD



SLIT VERSION

| Art-Nr. | Sp  | H Tot (mm) | H Min (mm) | H Max (mm) | A (mm) | 1 (mm) | 2 (mm) | Load (N) |
|---------|-----|------------|------------|------------|--------|--------|--------|----------|
| 902739  | M12 | 176,5      | 96,5       | 141,5      | 45     | 10     | 17     | 12.000   |
| 902740  |     | 226,5      | 126,5      | 191,5      | 65     | 10     | 17     |          |
| 902741  | M16 | 176,5      | 96,5       | 141,5      | 45     | 13     | 19     | 30.000   |
| 902742  |     | 226,5      | 126,5      | 191,5      | 65     | 13     | 19     |          |
| 902743  | M20 | 176,5      | 96,5       | 141,5      | 45     | 17     | 24     | 45.000   |
| 902744  |     | 226,5      | 126,5      | 191,5      | 65     | 17     | 24     |          |
| 902745  | M24 | 176,5      | 96,5       | 141,5      | 45     | 19     | 30     | 70.000   |
| 902746  |     | 226,5      | 126,5      | 191,5      | 65     | 19     | 30     |          |
| 902747  | M30 | 176,5      | 96,5       | 141,5      | 45     | 24     | 36     | 100.000  |
| 902748  |     | 226,5      | 126,5      | 191,5      | 65     | 24     | 36     |          |
| 902749  |     | 286,5      | 186,5      | 251,5      | 65     | 24     | 36     |          |
| 902750  | M36 | 176,5      | 96,5       | 141,5      | 45     | 30     | 42     | 150.000  |
| 902751  |     | 226,5      | 126,5      | 191,5      | 65     | 30     | 42     |          |
| 902752  |     | 286,5      | 186,5      | 251,5      | 65     | 30     | 42     |          |



## Ø60

DIAMETER (mm)



HIGH LOAD



SLIT VERSION



ANTI-SLIP

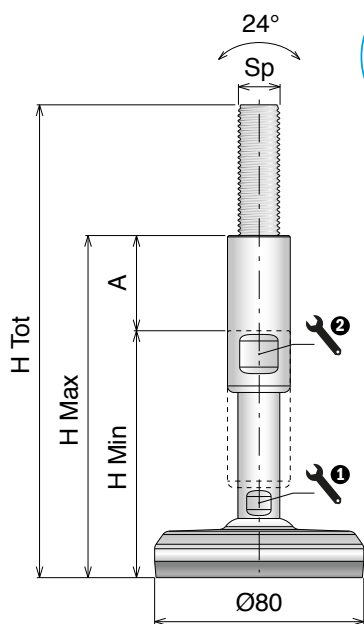
| Art-Nr. | Sp  | H Tot (mm) | H Min (mm) | H Max (mm) | A (mm) | 1 (mm) | 2 (mm) | Load (N) |
|---------|-----|------------|------------|------------|--------|--------|--------|----------|
| 902753  | M12 | 181,5      | 101,5      | 146,5      | 45     | 10     | 17     | 12.000   |
| 902754  |     | 231,5      | 131,5      | 196,5      | 65     | 10     | 17     |          |
| 902755  | M16 | 181,5      | 101,5      | 146,5      | 45     | 13     | 19     | 30.000   |
| 902756  |     | 231,5      | 131,5      | 196,5      | 65     | 13     | 19     |          |
| 902757  | M20 | 181,5      | 101,5      | 146,5      | 45     | 17     | 24     | 45.000   |
| 902758  |     | 231,5      | 131,5      | 196,5      | 65     | 17     | 24     |          |
| 902759  | M24 | 181,5      | 101,5      | 146,5      | 45     | 19     | 30     | 60.000   |
| 902760  |     | 231,5      | 131,5      | 196,5      | 65     | 19     | 30     |          |
| 902761  | M30 | 181,5      | 101,5      | 146,5      | 45     | 24     | 36     | 60.000   |
| 902762  |     | 231,5      | 131,5      | 196,5      | 65     | 24     | 36     |          |
| 902763  |     | 291,5      | 191,5      | 256,5      | 65     | 24     | 36     |          |
| 902764  | M36 | 181,5      | 101,5      | 146,5      | 45     | 30     | 42     | 60.000   |
| 902765  |     | 231,5      | 131,5      | 196,5      | 65     | 30     | 42     |          |
| 902766  |     | 291,5      | 191,5      | 256,5      | 65     | 30     | 42     |          |

**Materiale / Material / Materialien:**  
 Base, stelo e boccola: Acciaio inox  
 Base plate, spindle and cover: Stainless steel  
 Fussplatte, Spindel und Hülse: Edelstahl

On request vulcanized rubber can be provided  
 white or blue and spindle can be made in AISI 316.

# S400B HEAVY-SPLIT

Piedi di livellamento / Leveling feet / Nivellierfüße



**Ø80**

DIAMETER (mm)



HIGH LOAD

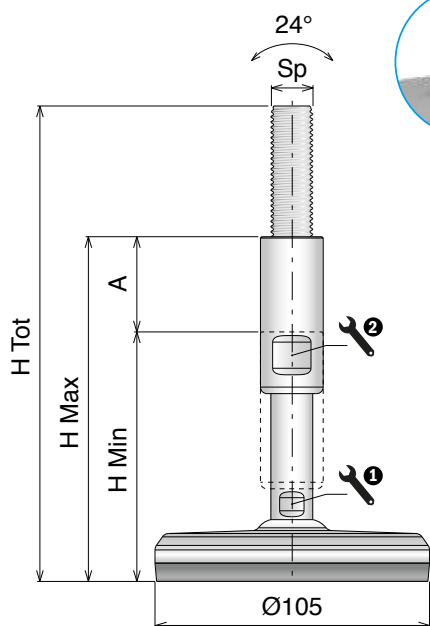


SLIT VERSION



ANTI-SLIP

| Art-Nr.       | Sp  | H Tot (mm) | H Min (mm) | H Max (mm) | A (mm) | 1 (mm) | 2 (mm) | Load (N) |
|---------------|-----|------------|------------|------------|--------|--------|--------|----------|
| <b>902767</b> | M12 | 182,5      | 102,5      | 147,5      | 45     | 10     | 17     | 12.000   |
| <b>902768</b> |     | 232,5      | 132,5      | 197,5      | 65     | 10     | 17     |          |
| <b>902769</b> | M16 | 182,5      | 102,5      | 147,5      | 45     | 13     | 19     | 30.000   |
| <b>902770</b> |     | 232,5      | 132,5      | 197,5      | 65     | 13     | 19     |          |
| <b>902771</b> | M20 | 182,5      | 102,5      | 147,5      | 45     | 17     | 24     | 45.000   |
| <b>902772</b> |     | 232,5      | 132,5      | 197,5      | 65     | 17     | 24     |          |
| <b>902773</b> | M24 | 182,5      | 102,5      | 147,5      | 45     | 19     | 30     | 70.000   |
| <b>902774</b> |     | 232,5      | 132,5      | 197,5      | 65     | 19     | 30     |          |
| <b>902775</b> | M30 | 182,5      | 102,5      | 147,5      | 45     | 24     | 36     | 80.000   |
| <b>902776</b> |     | 232,5      | 132,5      | 197,5      | 65     | 24     | 36     |          |
| <b>902777</b> |     | 292,5      | 192,5      | 257,5      | 65     | 24     | 36     |          |
| <b>902778</b> | M36 | 182,5      | 102,5      | 147,5      | 45     | 30     | 42     | 80.000   |
| <b>902779</b> |     | 232,5      | 132,5      | 197,5      | 65     | 30     | 42     |          |
| <b>902780</b> |     | 292,5      | 192,5      | 257,5      | 65     | 30     | 42     |          |



**Ø105**

DIAMETER (mm)



HIGH LOAD



SLIT VERSION



ANTI-SLIP

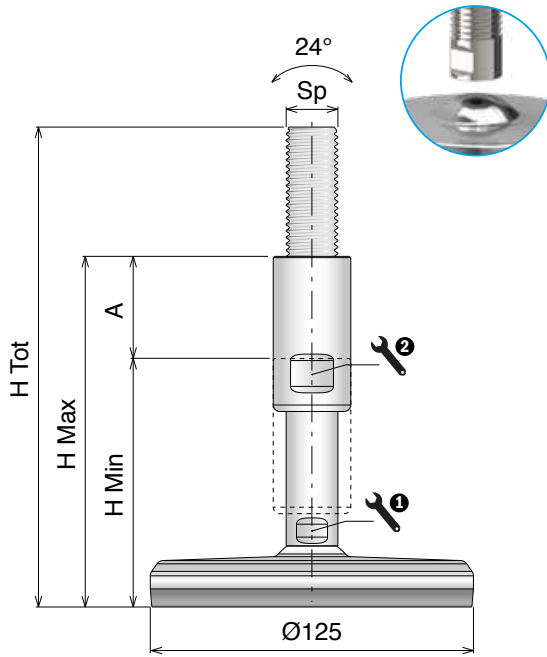
| Art-Nr.       | Sp  | H Tot (mm) | H Min (mm) | H Max (mm) | A (mm) | 1 (mm) | 2 (mm) | Load (N) |
|---------------|-----|------------|------------|------------|--------|--------|--------|----------|
| <b>902781</b> | M12 | 183,5      | 103,5      | 148,5      | 45     | 10     | 17     | 12.000   |
| <b>902782</b> |     | 233,5      | 133,5      | 198,5      | 65     | 10     | 17     |          |
| <b>902783</b> | M16 | 183,5      | 103,5      | 148,5      | 45     | 13     | 19     | 30.000   |
| <b>902784</b> |     | 233,5      | 133,5      | 198,5      | 65     | 13     | 19     |          |
| <b>902785</b> | M20 | 183,5      | 103,5      | 148,5      | 45     | 17     | 24     | 45.000   |
| <b>902786</b> |     | 233,5      | 133,5      | 198,5      | 65     | 17     | 24     |          |
| <b>902787</b> | M24 | 183,5      | 103,5      | 148,5      | 45     | 19     | 30     | 70.000   |
| <b>902788</b> |     | 233,5      | 133,5      | 198,5      | 65     | 19     | 30     |          |
| <b>902789</b> | M30 | 183,5      | 103,5      | 148,5      | 45     | 24     | 36     | 100.000  |
| <b>902790</b> |     | 233,5      | 133,5      | 198,5      | 65     | 24     | 36     |          |
| <b>902791</b> |     | 293,5      | 193,5      | 258,5      | 65     | 24     | 36     |          |
| <b>902792</b> | M36 | 183,5      | 103,5      | 148,5      | 45     | 30     | 42     | 120.000  |
| <b>902793</b> |     | 233,5      | 133,5      | 198,5      | 65     | 30     | 42     |          |
| <b>902794</b> |     | 293,5      | 193,5      | 258,5      | 65     | 30     | 42     |          |

# S400B HEAVY-SPLIT

Piedi di livellamento / Leveling feet / Nivellierfüße

On request vulcanized rubber can be provided  
white or blue and spindle can be made in AISI 316.

**Materiale / Material / Materialien:**  
Base, stelo e boccola: Acciaio inox  
Base plate, spindle and cover: Stainless steel  
Fussplatte, Spindel und Hülse: Edelstahl



Ø125  
DIAMETER (mm)



HIGH LOAD

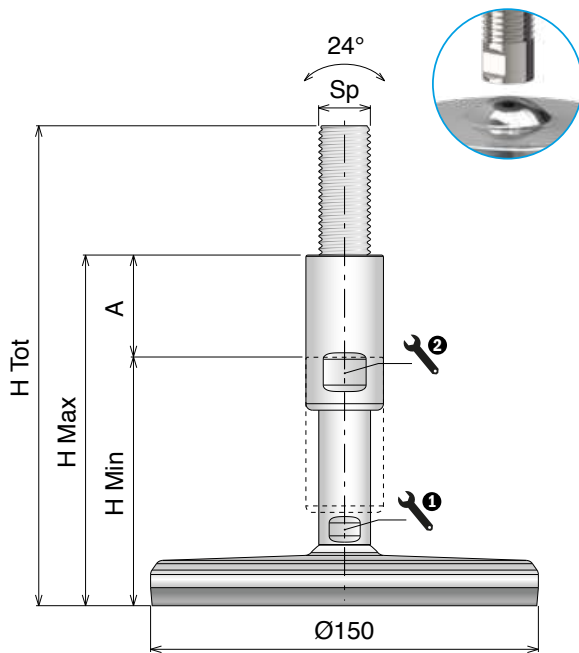


SLIT VERSION



ANTI-SLIP

| Art-Nr. | Sp  | H Tot (mm) | H Min (mm) | H Max (mm) | A (mm) | 1 (mm) | 2 (mm) | Load (N) |
|---------|-----|------------|------------|------------|--------|--------|--------|----------|
| 902795  | M12 | 183,5      | 103,5      | 148,5      | 45     | 10     | 17     | 12.000   |
| 902796  |     | 233,5      | 133,5      | 198,5      | 65     | 10     | 17     |          |
| 902797  | M16 | 183,5      | 103,5      | 148,5      | 45     | 13     | 19     | 30.000   |
| 902798  |     | 233,5      | 133,5      | 198,5      | 65     | 13     | 19     |          |
| 902799  | M20 | 233,5      | 103,5      | 148,5      | 45     | 17     | 24     | 45.000   |
| 902800  |     | 234,5      | 133,5      | 198,5      | 65     | 17     | 24     |          |
| 902801  | M24 | 183,5      | 103,5      | 148,5      | 45     | 19     | 30     | 70.000   |
| 902802  |     | 233,5      | 133,5      | 198,5      | 65     | 19     | 30     |          |
| 902803  | M30 | 183,5      | 103,5      | 148,5      | 45     | 24     | 36     | 100.000  |
| 902804  |     | 233,5      | 133,5      | 198,5      | 65     | 24     | 36     |          |
| 902805  |     | 293,5      | 193,5      | 258,5      | 65     | 24     | 36     |          |
| 902806  | M36 | 183,5      | 103,5      | 148,5      | 45     | 30     | 42     | 130.000  |
| 902807  |     | 233,5      | 133,5      | 198,5      | 65     | 30     | 42     |          |
| 902808  |     | 293,5      | 193,5      | 258,5      | 65     | 30     | 42     |          |



Ø150  
DIAMETER (mm)



HIGH LOAD



SLIT VERSION

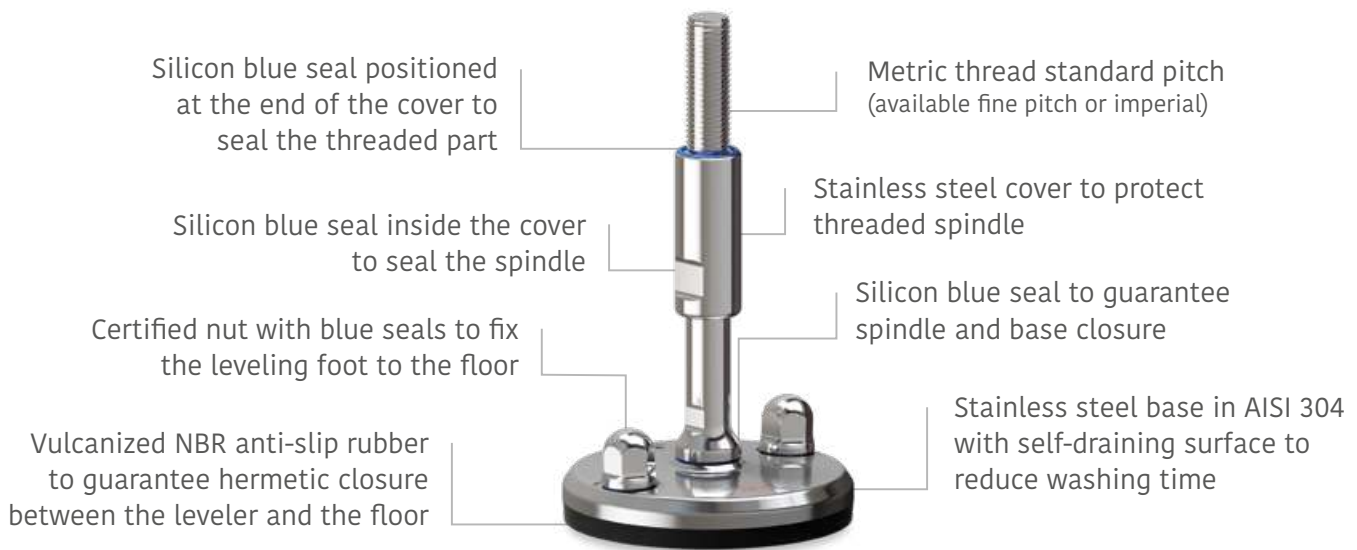


ANTI-SLIP

| Art-Nr. | Sp  | H Tot (mm) | H Min (mm) | H Max (mm) | A (mm) | 1 (mm) | 2 (mm) | Load (N) |
|---------|-----|------------|------------|------------|--------|--------|--------|----------|
| 902809  | M12 | 183,5      | 103,5      | 148,5      | 45     | 10     | 17     | 12.000   |
| 902810  |     | 233,5      | 133,5      | 198,5      | 65     | 10     | 17     |          |
| 902811  | M16 | 183,5      | 103,5      | 148,5      | 45     | 13     | 19     | 30.000   |
| 902812  |     | 233,5      | 133,5      | 198,5      | 65     | 13     | 19     |          |
| 902813  | M20 | 183,5      | 103,5      | 148,5      | 45     | 17     | 24     | 45.000   |
| 902814  |     | 233,5      | 133,5      | 198,5      | 65     | 17     | 24     |          |
| 902815  | M24 | 183,5      | 103,5      | 148,5      | 45     | 19     | 30     | 70.000   |
| 902816  |     | 233,5      | 133,5      | 198,5      | 65     | 19     | 30     |          |
| 902817  | M30 | 183,5      | 103,5      | 148,5      | 45     | 24     | 36     | 100.000  |
| 902818  |     | 233,5      | 133,5      | 198,5      | 65     | 24     | 36     |          |
| 902819  |     | 293,5      | 193,5      | 258,5      | 65     | 24     | 36     |          |
| 902820  | M36 | 183,5      | 103,5      | 148,5      | 45     | 30     | 42     | 150.000  |
| 902821  |     | 233,5      | 133,5      | 198,5      | 65     | 30     | 42     |          |
| 902822  |     | 293,5      | 193,5      | 258,5      | 65     | 30     | 42     |          |

## NEW C500 Series

HYGIENIC AND CERTIFIED  
STAINLESS STEEL LEVELERS



The **C500 series** is the best choice for industrial environments with critical hygienic level, like dairy, food, chemical and pharmaceutical industries, subjected to daily washing cycles.

It offers a complete protection against bacterial proliferation and guarantees reduced washing cycle time as well as self-draining surfaces able to drain external elements easier than traditional systems.

The new **C500 series** with hygienic stainless steel follows actual regulations and is approved by 3A and EHEDG normative. Base, spindle and cover are produced exclusively in AISI 304, with surface finishing lower than 0,8  $\mu\text{m}$ , silicon blue seals are FDA approved and easily detectable by industrial scanner.



### HYGIENIC DESIGN

Completely sanitized and certified



### SAVING (Energy, water, detergents)

Fewer resources for sanitation



### SUPERIOR DURABILITY

Thanks to the threaded part's cover



### CLEANLINESS

Reduced washing cycle

## AVAILABLE RANGE

The **C500 series** is available as following versions:

### C500 Series

For standard applications, hygienic and certified.

### C500 Series SPLIT

For application with higher floor slope or where separate base and spindle is required.

### C500 Series HEAVY

For high load applications.

### C500 Series HEAVY-SPLIT

For high load applications where the separate base and spindle is required.

Every above version offers excellent hygienic performances.

## CERTIFICATIONS

The **C500 series** has 3A and EHEDG certifications, provided based on the selected type.

These certifications are released by no profit associations that protect consumers, guaranteeing products made according to the internal standards. This applies to all processes and components in contact directly or indirectly with every single food. Movex is committed to offer a high quality product in according to the most recent normative.



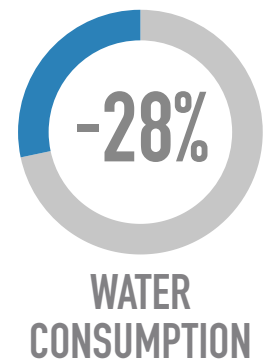
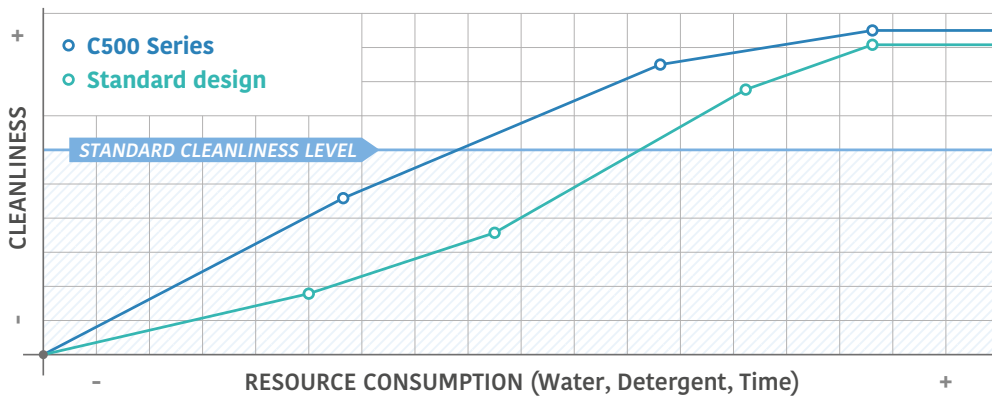
- Non-profit European consortium
- Regulations for food manufacturers, machine food manufactures and food raw material suppliers
- Research institutes and universities
  - Government health agencies
  - Approximately 45 guidelines



- Non-profit American association
- Regulations for food manufacturers, machine food manufactures and food raw material suppliers
  - Public and governmental health agencies
  - Over 70 guidelines

## WHY CHOOSE A CERTIFIED PRODUCT?

### Calculated saving



The stainless steel self-draining surfaces help the entire washing process, reducing time and resources consumption.

### UV ray analysis

The real difference between a conventional leveler and the hygienic and certified **C500 series** is invisible with human eyes.

If we compare two levelers that have been subjected to the same washing process, they will both look clean and sanitized; but analyzed with UV ray, we will see that the conventional solution is still contaminated by bacteria (see picture).





# C500 Series

## DECLARATION OF CONFORMITY

**C500, C500-HEAVY, C500-SPLIT, C500-HEAVY-SPLIT** series are certified 3A and EHEDG, following product details.

### FEATURES



#### Base, spindle and cover material:

- Stainless steel AISI 304 (1.4301) – available also in AISI 316 (1.4401) on request

#### Anti-slip rubber:

- NBR rubber, color black
- Hardness: 70-75 Shore-A
- Working temperature:  $-30^{\circ}\text{C} \div 110^{\circ}\text{C}$
- Compliant to REACH (CE 1907-2006)
- Compliant to ROHS&ROHS 2 (2002/95/EC)

#### Seals:

- Silicone rubber, color blue
- Hardness: 60 Shore-A
- Working temperature:  $-60^{\circ}\text{C} \div 200^{\circ}\text{C}$
- Compliant to FDA normative

#### Ref. Norms.



The **C500 series** and all its versions (**HEAVY**, **SPLIT** and **HEAVY-SPLIT**) are the ideal choice for all those environments where hygienic level is constantly monitored (dairy, food, chemical and pharmaceutical industries) subjected to daily washing cycles.

Self-draining surfaces with roughness lower than  $0,8 \mu\text{m}$  and the 3 seals (blue silicone detectable with food scanner) placed respectively inside the cover and between the spindle and the baseplate guarantee a hermetic closure, avoiding any external parts infiltration.

Following **3A** normative, levelers are properly installed when they provide a minimum clearance between the lowest part of the equipment and the floor of not less than 4.0 in. (102 mm) when the equipment base outlines an area in which no point is more than 12.5 in. (318 mm) from the nearest edge of the base, or a clearance of at least 6 in. (152 mm) when any point is more than 12.5 in. (318 mm) from the nearest edge.

Following **EHEDG** normative, recommended distance between floor and machined is at least 300 mm. Levelers with fixation need to be installed always with Movex certified nuts, on the contrary the company will not guarantee certifications requirements (follow installation manual – floor fixation, provided with every delivery).

Movex supplies all certified levelers with seals (unlosable); nevertheless, the end user should always check correct seals position before proceeding with the installation (follow installation manual, provided with every delivery).

**C500 levelers** have great resistance to the most common industrial detergents, following material specifications, compatible with producer specifications.

For a correct execution, please always follow provided manual (maintenance and cleaning manual, included in every delivery).

## NEW C500 Series

HYGIENIC AND CERTIFIED STAINLESS STEEL LEVELERS

Delivery: **Easy** **Standard**

### C500

#### Main features:

- Overmolded self-draining baseplate in AISI 304
- Spindle and cover in AISI 304
- Blue seals for hermetic closure
- Vulcanized anti-slip NBR rubber

#### Other versions available:

- Single floor fixation



### C500 SPLIT

#### Main features:

- Overmolded self-draining baseplate in AISI 304
- Spindle and cover in AISI 304
- Blue seals for hermetic closure
- Vulcanized anti-slip NBR rubber
- Separate spindle and baseplate



### C500 HEAVY

#### Main features:

- Full machined self-draining baseplate in AISI 304
- Spindle and cover in AISI 304
- Blue seals for hermetic closure
- Vulcanized anti-slip NBR rubber

#### Other versions available:

- Double floor fixation



### C500 HEAVY-SPLIT

#### Main features:

- Full machined self-draining baseplate in AISI 304
- Spindle and cover in AISI 304
- Blue seals for hermetic closure
- Vulcanized anti-slip NBR rubber
- Separate spindle and baseplate



The **C500 series**, with baseplate in AISI 304 stainless steel, threaded spindle with cover and hermetic seals is the best choice for industrial environments with critical hygienic level, like dairy, food, chemical and pharmaceutical industries, subjected to daily washing cycles.

The stainless steel baseplate and its particular shape guarantee an excellent cleanability, especially in critical conditions; the stainless steel cover offers 100% thread protection and avoids its exposure to external agents; the three seals (blue silicone detectable with food scanner) placed respectively inside the cover and between the spindle and the baseplate guarantee a hermetic closure, avoiding any external parts infiltration and the NBR rubber guarantees anti-slip properties and hermetic closure between the leveler and the floor.

Maximum compressive strength (static load) as in the table, maximum tensile strength (static load) 4.000 N (S400); 8.000 N (S400 HEAVY); NOT AVAILABLE (SPLIT and HEAVY-SPLIT).

The **C500 series** can also be combined with hygienic bolts, nuts and covers for perfect sanitation.

Accessori / Accessories / Zubehör

Find out more details on page 643/644

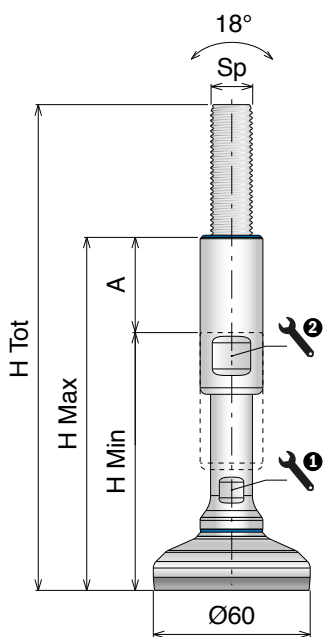
**Materiale / Material / Materialien:**

Base, stelo, rondella e boccia: Acciaio inox  
 Base plate, spindle, washer and cover: Stainless steel  
 Fussplatte, Spindel, Scheibe und Hülse: Edelstahl

On request vulcanized rubber can be provided  
 white or blue and spindle can be made in AISI 316.

# C500 Series

Piedi di livellamento / Leveling feet / Nivellierfüße



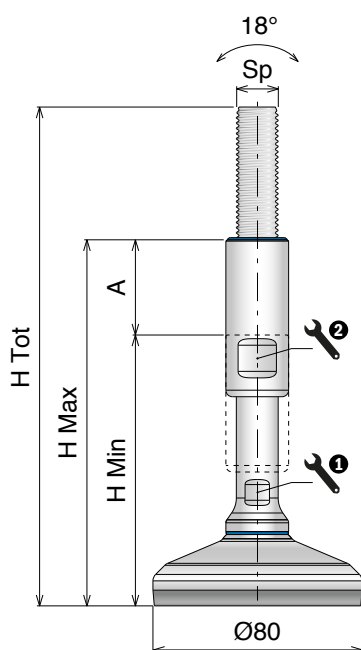
## Ø60

DIAMETER (mm)



ANTI-SLIP

| Art-Nr. | Sp  | H Tot (mm) | H Min (mm) | H Max (mm) | A (mm) | 1 (mm) | 2 (mm) | Load (N) |
|---------|-----|------------|------------|------------|--------|--------|--------|----------|
| 902823  | M12 | 185        | 105        | 150        | 45     | 10     | 17     | 4.500    |
| 902824  |     | 235        | 135        | 200        | 65     | 10     | 17     |          |
| 902825  | M16 | 185        | 105        | 150        | 45     | 13     | 19     | 4.500    |
| 902826  |     | 235        | 135        | 200        | 65     | 13     | 19     |          |
| 902827  | M20 | 185        | 105        | 150        | 45     | 17     | 24     | 4.500    |
| 902828  |     | 235        | 135        | 200        | 65     | 17     | 24     |          |
| 902829  | M24 | 185        | 105        | 150        | 45     | 19     | 30     | 4.500    |
| 902830  |     | 235        | 135        | 200        | 65     | 19     | 30     |          |
| 902831  | M30 | 185        | 105        | 150        | 45     | 24     | 36     | 4.500    |
| 902832  |     | 235        | 135        | 200        | 65     | 24     | 36     |          |
| 902833  |     | 295        | 195        | 260        | 65     | 24     | 36     |          |
| 902834  | M36 | 185        | 105        | 150        | 45     | 30     | 42     | 4.500    |
| 902835  |     | 235        | 135        | 200        | 65     | 30     | 42     |          |
| 902836  |     | 295        | 195        | 260        | 65     | 30     | 42     |          |



## Ø80

DIAMETER (mm)



ANTI-SLIP

| Art-Nr. | Sp  | H Tot (mm) | H Min (mm) | H Max (mm) | A (mm) | 1 (mm) | 2 (mm) | Load (N) |
|---------|-----|------------|------------|------------|--------|--------|--------|----------|
| 902837  | M12 | 190        | 110        | 155        | 45     | 10     | 17     | 12.000   |
| 902838  |     | 240        | 140        | 205        | 65     | 10     | 17     |          |
| 902839  | M16 | 190        | 110        | 155        | 45     | 13     | 19     | 15.000   |
| 902840  |     | 240        | 140        | 205        | 65     | 13     | 19     |          |
| 902841  | M20 | 190        | 110        | 155        | 45     | 17     | 24     | 15.000   |
| 902842  |     | 240        | 140        | 205        | 65     | 17     | 24     |          |
| 902843  | M24 | 190        | 110        | 155        | 45     | 19     | 30     | 15.000   |
| 902844  |     | 240        | 140        | 205        | 65     | 19     | 30     |          |
| 902845  | M30 | 190        | 110        | 155        | 45     | 24     | 36     | 15.000   |
| 902846  |     | 240        | 140        | 205        | 65     | 24     | 36     |          |
| 902847  |     | 300        | 200        | 265        | 65     | 24     | 36     |          |
| 902848  | M36 | 190        | 110        | 155        | 45     | 30     | 42     | 15.000   |
| 902849  |     | 240        | 140        | 205        | 65     | 30     | 42     |          |
| 902850  |     | 300        | 200        | 265        | 65     | 30     | 42     |          |



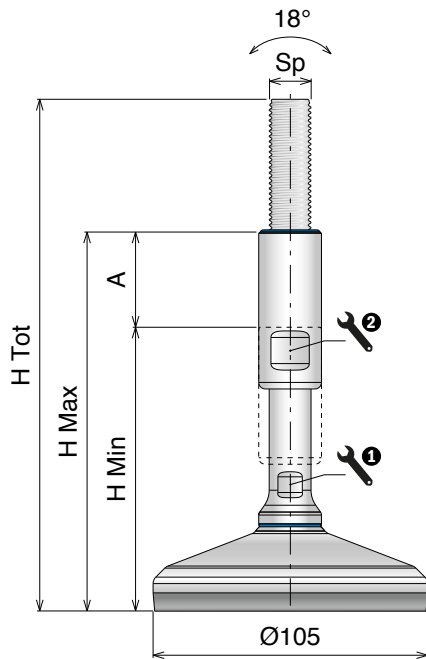
# C500 Series

Piedi di livellamento / Leveling feet / Nivellierfüße

On request vulcanized rubber can be provided  
white or blue and spindle can be made in AISI 316.

**Materiale / Material / Materialien:**

Base, stelo, rondella e boccia: Acciaio inox  
Base plate, spindle, washer and cover: Stainless steel  
Fussplatte, Spindel, Scheibe und Hülse: Edelstahl

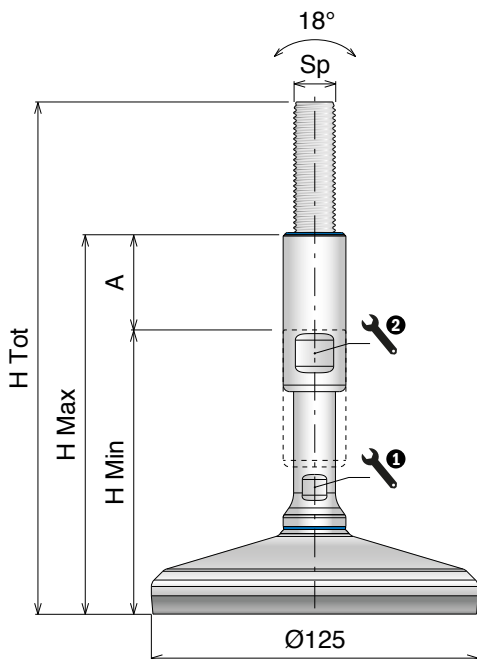


## Ø105

DIAMETER (mm)



| Art-Nr. | Sp  | H Tot (mm) | H Min (mm) | H Max (mm) | A (mm) | 1 (mm) | 2 (mm) | Load (N) |
|---------|-----|------------|------------|------------|--------|--------|--------|----------|
| 902851  | M12 | 195        | 115        | 160        | 45     | 10     | 17     | 12.000   |
| 902852  |     | 245        | 145        | 210        | 65     | 10     | 17     |          |
| 902853  | M16 | 195        | 115        | 160        | 45     | 13     | 19     | 25.000   |
| 902854  |     | 245        | 145        | 210        | 65     | 13     | 19     |          |
| 902855  | M20 | 195        | 115        | 160        | 45     | 17     | 24     | 25.000   |
| 902856  |     | 245        | 145        | 210        | 65     | 17     | 24     |          |
| 902857  | M24 | 195        | 115        | 160        | 45     | 19     | 30     | 25.000   |
| 902858  |     | 245        | 145        | 210        | 65     | 19     | 30     |          |
| 902859  | M30 | 195        | 115        | 160        | 45     | 24     | 36     | 25.000   |
| 902860  |     | 245        | 145        | 210        | 65     | 24     | 36     |          |
| 902861  |     | 305        | 205        | 270        | 65     | 24     | 36     |          |
| 902862  | M36 | 195        | 115        | 160        | 45     | 30     | 42     | 25.000   |
| 902863  |     | 245        | 145        | 210        | 65     | 30     | 42     |          |
| 902864  |     | 305        | 205        | 270        | 65     | 30     | 42     |          |



## Ø125

DIAMETER (mm)



| Art-Nr. | Sp  | H Tot (mm) | H Min (mm) | H Max (mm) | A (mm) | 1 (mm) | 2 (mm) | Load (N) |
|---------|-----|------------|------------|------------|--------|--------|--------|----------|
| 902865  | M12 | 195        | 115        | 160        | 45     | 10     | 17     | 12.000   |
| 902866  |     | 245        | 145        | 210        | 65     | 10     | 17     |          |
| 902867  | M16 | 195        | 115        | 160        | 45     | 13     | 19     | 30.000   |
| 902868  |     | 245        | 145        | 210        | 65     | 13     | 19     |          |
| 902869  | M20 | 195        | 115        | 160        | 45     | 17     | 24     | 30.000   |
| 902870  |     | 245        | 145        | 210        | 65     | 17     | 24     |          |
| 902871  | M24 | 195        | 115        | 160        | 45     | 19     | 30     | 30.000   |
| 902872  |     | 245        | 145        | 210        | 65     | 19     | 30     |          |
| 902873  | M30 | 195        | 115        | 160        | 45     | 24     | 36     | 30.000   |
| 902874  |     | 245        | 145        | 210        | 65     | 24     | 36     |          |
| 902875  |     | 305        | 205        | 270        | 65     | 24     | 36     |          |
| 902876  | M36 | 195        | 115        | 160        | 45     | 30     | 42     | 30.000   |
| 902877  |     | 245        | 145        | 210        | 65     | 30     | 42     |          |
| 902878  |     | 305        | 205        | 270        | 65     | 30     | 42     |          |



**CERTIFIED PRODUCTS**

ASK FOR CERTIFICATION:  
certificate@movexii.com

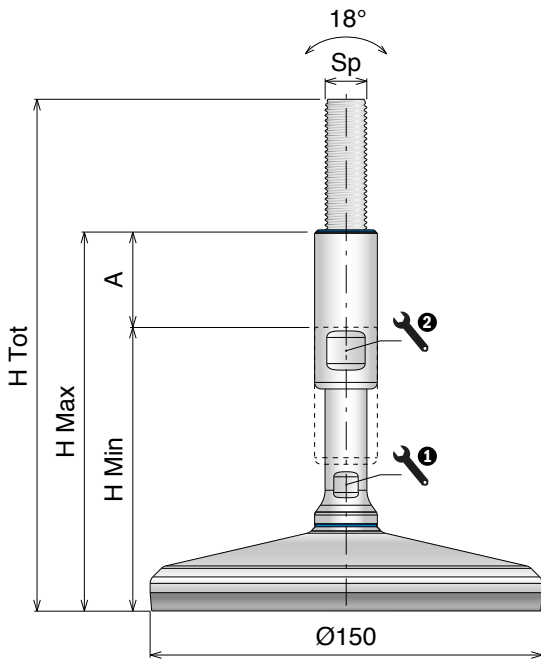
**Materiale / Material / Materialien:**

Base, stelo, rondella e boccia: Acciaio inox  
 Base plate, spindle, washer and cover: Stainless steel  
 Fussplatte, Spindel, Scheibe und Hülse: Edelstahl

On request vulcanized rubber can be provided  
 white or blue and spindle can be made in AISI 316.

# C500 Series

Piedi di livellamento / Leveling feet / Nivellierfüße

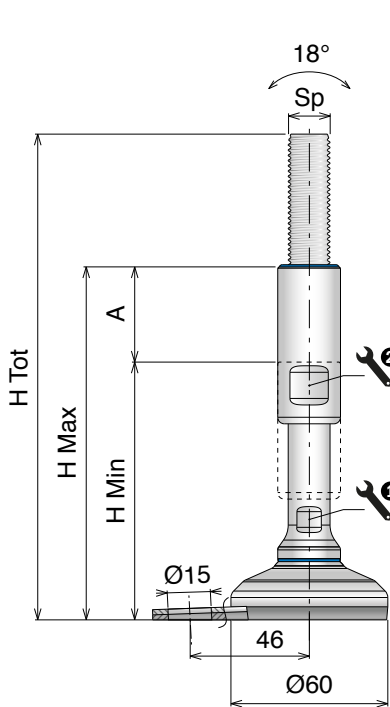


## Ø 150

DIAMETER (mm)

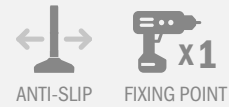


| Art-Nr. | Sp  | H Tot (mm) | H Min (mm) | H Max (mm) | A (mm) | 1 (mm) | 2 (mm) | Load (N) |
|---------|-----|------------|------------|------------|--------|--------|--------|----------|
| 902879  | M12 | 195        | 115        | 160        | 45     | 10     | 17     | 12.000   |
| 902880  |     | 245        | 145        | 210        | 65     | 10     | 17     |          |
| 902881  | M16 | 195        | 115        | 160        | 45     | 13     | 19     | 30.000   |
| 902882  |     | 245        | 145        | 210        | 65     | 13     | 19     |          |
| 902883  | M20 | 195        | 115        | 160        | 45     | 17     | 24     | 45.000   |
| 902884  |     | 245        | 145        | 210        | 65     | 17     | 24     |          |
| 902885  | M24 | 195        | 115        | 160        | 45     | 19     | 30     | 45.000   |
| 902886  |     | 245        | 145        | 210        | 65     | 19     | 30     |          |
| 902887  | M30 | 195        | 115        | 160        | 45     | 24     | 36     | 45.000   |
| 902888  |     | 245        | 145        | 210        | 65     | 24     | 36     |          |
| 902889  |     | 305        | 205        | 270        | 65     | 24     | 36     |          |
| 902890  | M36 | 195        | 115        | 160        | 45     | 30     | 42     | 45.000   |
| 902891  |     | 245        | 145        | 210        | 65     | 30     | 42     |          |
| 902892  |     | 305        | 205        | 270        | 65     | 30     | 42     |          |



## Ø 60

DIAMETER (mm)



| Art-Nr. | Sp  | H Tot (mm) | H Min (mm) | H Max (mm) | A (mm) | 1 (mm) | 2 (mm) | Load (N) |
|---------|-----|------------|------------|------------|--------|--------|--------|----------|
| 902893  | M12 | 185        | 105        | 150        | 45     | 10     | 17     | 4.500    |
| 902894  |     | 235        | 135        | 200        | 65     | 10     | 17     |          |
| 902895  | M16 | 185        | 105        | 150        | 45     | 13     | 19     | 4.500    |
| 902896  |     | 235        | 135        | 200        | 65     | 13     | 19     |          |
| 902897  | M20 | 185        | 105        | 150        | 45     | 17     | 24     | 4.500    |
| 902898  |     | 235        | 135        | 200        | 65     | 17     | 24     |          |
| 902899  | M24 | 185        | 105        | 150        | 45     | 19     | 30     | 4.500    |
| 902900  |     | 235        | 135        | 200        | 65     | 19     | 30     |          |
| 902901  | M30 | 185        | 105        | 150        | 45     | 24     | 36     | 4.500    |
| 902902  |     | 235        | 135        | 200        | 65     | 24     | 36     |          |
| 902903  |     | 295        | 195        | 260        | 65     | 24     | 36     |          |
| 902904  | M36 | 185        | 105        | 150        | 45     | 30     | 42     | 4.500    |
| 902905  |     | 235        | 135        | 200        | 65     | 30     | 42     |          |
| 902906  |     | 295        | 195        | 260        | 65     | 30     | 42     |          |



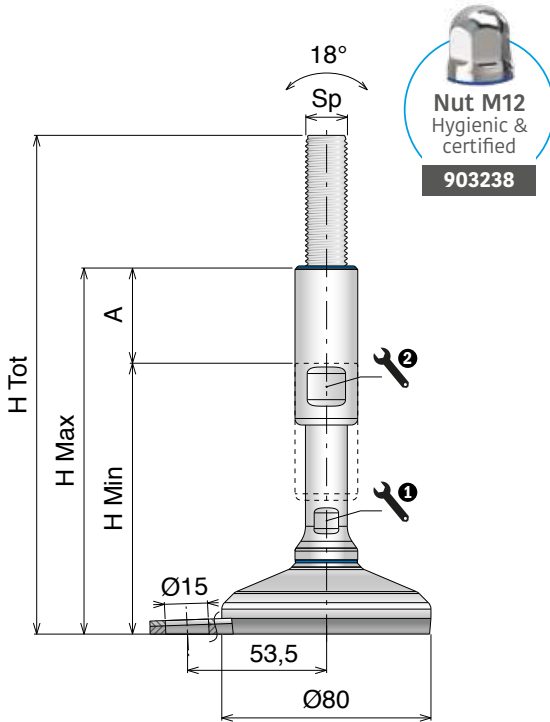
# C500 Series

Piedi di livellamento / Leveling feet / Nivellierfüße

On request vulcanized rubber can be provided  
white or blue and spindle can be made in AISI 316.

## Materiale / Material / Materialien:

Base, stelo, rondella e boccola: Acciaio inox  
Base plate, spindle, washer and cover: Stainless steel  
Fussplatte, Spindel, Scheibe und Hülse: Edelstahl



## Ø80

DIAMETER (mm)

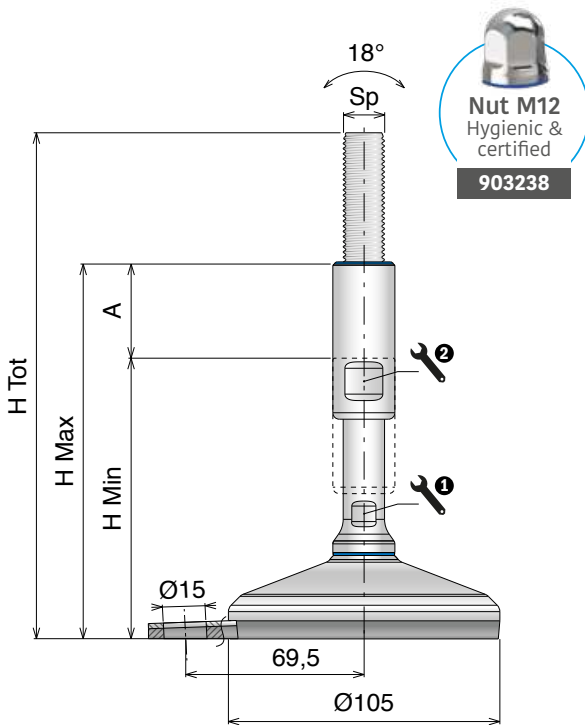


ANTI-SLIP



FIXING POINT

| Art-Nr. | Sp  | H Tot (mm) | H Min (mm) | H Max (mm) | A (mm) | 1 (mm) | 2 (mm) | Load (N) |
|---------|-----|------------|------------|------------|--------|--------|--------|----------|
| 902907  | M12 | 190        | 110        | 155        | 45     | 10     | 17     | 12.000   |
| 902908  |     | 240        | 140        | 205        | 65     | 10     | 17     |          |
| 902909  | M16 | 190        | 110        | 155        | 45     | 13     | 19     | 15.000   |
| 902910  |     | 240        | 140        | 205        | 65     | 13     | 19     |          |
| 902911  | M20 | 190        | 110        | 155        | 45     | 17     | 24     | 15.000   |
| 902912  |     | 240        | 140        | 205        | 65     | 17     | 24     |          |
| 902913  | M24 | 190        | 110        | 155        | 45     | 19     | 30     | 15.000   |
| 902914  |     | 240        | 140        | 205        | 65     | 19     | 30     |          |
| 902915  | M30 | 190        | 110        | 155        | 45     | 24     | 36     | 15.000   |
| 902916  |     | 240        | 140        | 205        | 65     | 24     | 36     |          |
| 902917  |     | 300        | 200        | 265        | 65     | 24     | 36     |          |
| 902918  | M36 | 190        | 110        | 155        | 45     | 30     | 42     | 15.000   |
| 902919  |     | 240        | 140        | 205        | 65     | 30     | 42     |          |
| 902920  |     | 300        | 200        | 265        | 65     | 30     | 42     |          |



## Ø105

DIAMETER (mm)



ANTI-SLIP



FIXING POINT

| Art-Nr. | Sp  | H Tot (mm) | H Min (mm) | H Max (mm) | A (mm) | 1 (mm) | 2 (mm) | Load (N) |
|---------|-----|------------|------------|------------|--------|--------|--------|----------|
| 902921  | M12 | 195        | 115        | 160        | 45     | 10     | 17     | 12.000   |
| 902922  |     | 245        | 145        | 210        | 65     | 10     | 17     |          |
| 902923  | M16 | 195        | 115        | 160        | 45     | 13     | 19     | 25.000   |
| 902924  |     | 245        | 145        | 210        | 65     | 13     | 19     |          |
| 902925  | M20 | 195        | 115        | 160        | 45     | 17     | 24     | 25.000   |
| 902926  |     | 245        | 145        | 210        | 65     | 17     | 24     |          |
| 902927  | M24 | 195        | 115        | 160        | 45     | 19     | 30     | 25.000   |
| 902928  |     | 245        | 145        | 210        | 65     | 19     | 30     |          |
| 902929  | M30 | 195        | 115        | 160        | 45     | 24     | 36     | 25.000   |
| 902930  |     | 245        | 145        | 210        | 65     | 24     | 36     |          |
| 902931  |     | 305        | 205        | 270        | 65     | 24     | 36     |          |
| 902932  | M36 | 195        | 115        | 160        | 45     | 30     | 42     | 25.000   |
| 902933  |     | 245        | 145        | 210        | 65     | 30     | 42     |          |
| 902934  |     | 305        | 205        | 270        | 65     | 30     | 42     |          |



**CERTIFIED PRODUCTS**

ASK FOR CERTIFICATION:  
certificate@movexii.com

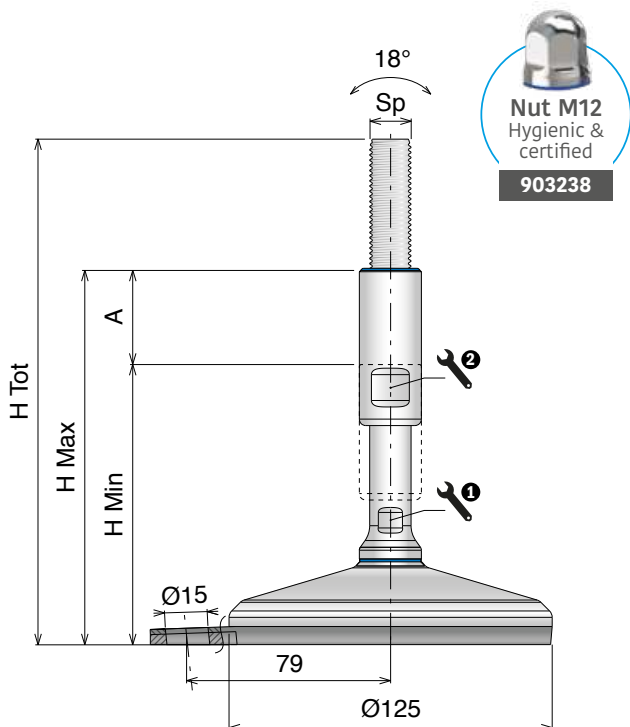
**Materiale / Material / Materialien:**

Base, stelo, rondella e boccia: Acciaio inox  
 Base plate, spindle, washer and cover: Stainless steel  
 Fussplatte, Spindel, Scheibe und Hülse: Edelstahl

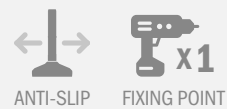
On request vulcanized rubber can be provided  
 white or blue and spindle can be made in AISI 316.

# C500 Series

Piedi di livellamento / Leveling feet / Nivellierfüße



**Ø125**  
 DIAMETER (mm)



| Art-Nr. | Sp  | H Tot (mm) | H Min (mm) | H Max (mm) | A (mm) | 1 (mm) | 2 (mm) | Load (N) |
|---------|-----|------------|------------|------------|--------|--------|--------|----------|
| 902935  | M12 | 195        | 115        | 160        | 45     | 10     | 17     | 12.000   |
| 902936  |     | 245        | 145        | 210        | 65     | 10     | 17     |          |
| 902937  | M16 | 195        | 115        | 160        | 45     | 13     | 19     | 30.000   |
| 902938  |     | 245        | 145        | 210        | 65     | 13     | 19     |          |
| 902939  | M20 | 195        | 115        | 160        | 45     | 17     | 24     | 30.000   |
| 902940  |     | 245        | 145        | 210        | 65     | 17     | 24     |          |
| 902941  | M24 | 195        | 115        | 160        | 45     | 19     | 30     | 30.000   |
| 902942  |     | 245        | 145        | 210        | 65     | 19     | 30     |          |
| 902943  | M30 | 195        | 115        | 160        | 45     | 24     | 36     | 30.000   |
| 902944  |     | 245        | 145        | 210        | 65     | 24     | 36     |          |
| 902945  |     | 305        | 205        | 270        | 65     | 24     | 36     |          |
| 902946  | M36 | 195        | 115        | 160        | 45     | 30     | 42     | 30.000   |
| 902947  |     | 245        | 145        | 210        | 65     | 30     | 42     |          |
| 902948  |     | 305        | 205        | 270        | 65     | 30     | 42     |          |



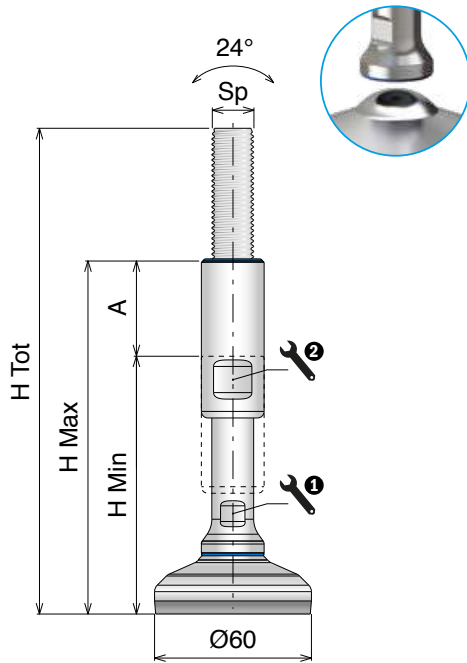
**CERTIFIED PRODUCTS**  
 ASK FOR CERTIFICATION:  
[certificate@movexii.com](mailto:certificate@movexii.com)

# C500 SPLIT

Piedi di livellamento / Leveling feet / Nivellierfüße

On request vulcanized rubber can be provided  
white or blue and spindle can be made in AISI 316.

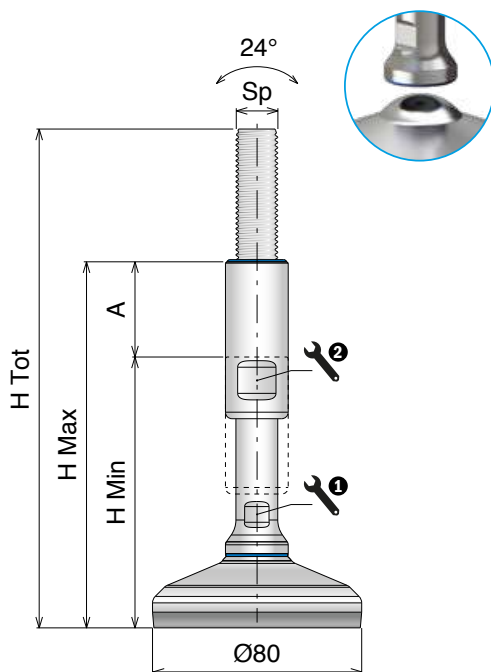
**Materiale / Material / Materialien:**  
Base, stelo e boccia: Acciaio inox  
Base plate, spindle and cover: Stainless steel  
Fussplatte, Spindel und Hülse: Edelstahl



**Ø60**  
DIAMETER (mm)



| Art-Nr.       | Sp  | H Tot (mm) | H Min (mm) | H Max (mm) | A (mm) | 1 (mm) | 2 (mm) | Load (N) |
|---------------|-----|------------|------------|------------|--------|--------|--------|----------|
| <b>902949</b> | M12 | 185        | 105        | 150        | 45     | 10     | 17     | 4.500    |
| <b>902950</b> |     | 235        | 135        | 200        | 65     | 10     | 17     |          |
| <b>902951</b> | M16 | 185        | 105        | 150        | 45     | 13     | 19     | 4.500    |
| <b>902952</b> |     | 235        | 135        | 200        | 65     | 13     | 19     |          |
| <b>902953</b> | M20 | 185        | 105        | 150        | 45     | 17     | 24     | 4.500    |
| <b>902954</b> |     | 235        | 135        | 200        | 65     | 17     | 24     |          |
| <b>902955</b> | M24 | 185        | 105        | 150        | 45     | 19     | 30     | 4.500    |
| <b>902956</b> |     | 235        | 135        | 200        | 65     | 19     | 30     |          |
| <b>902957</b> | M30 | 185        | 105        | 150        | 45     | 24     | 36     | 4.500    |
| <b>902958</b> |     | 235        | 135        | 200        | 65     | 24     | 36     |          |
| <b>902959</b> |     | 295        | 195        | 260        | 65     | 24     | 36     |          |
| <b>902960</b> | M36 | 185        | 105        | 150        | 45     | 30     | 42     | 4.500    |
| <b>902961</b> |     | 235        | 135        | 200        | 65     | 30     | 42     |          |
| <b>902962</b> |     | 295        | 195        | 260        | 65     | 30     | 42     |          |



**Ø80**  
DIAMETER (mm)



| Art-Nr.       | Sp  | H Tot (mm) | H Min (mm) | H Max (mm) | A (mm) | 1 (mm) | 2 (mm) | Load (N) |
|---------------|-----|------------|------------|------------|--------|--------|--------|----------|
| <b>902963</b> | M12 | 190        | 110        | 155        | 45     | 10     | 17     | 12.000   |
| <b>902964</b> |     | 240        | 140        | 205        | 65     | 10     | 17     |          |
| <b>902965</b> | M16 | 190        | 110        | 155        | 45     | 13     | 19     | 15.000   |
| <b>902966</b> |     | 240        | 140        | 205        | 65     | 13     | 19     |          |
| <b>902967</b> | M20 | 190        | 110        | 155        | 45     | 17     | 24     | 15.000   |
| <b>902968</b> |     | 240        | 140        | 205        | 65     | 17     | 24     |          |
| <b>902969</b> | M24 | 190        | 110        | 155        | 45     | 19     | 30     | 15.000   |
| <b>902970</b> |     | 240        | 140        | 205        | 65     | 19     | 30     |          |
| <b>902971</b> | M30 | 190        | 110        | 155        | 45     | 24     | 36     | 15.000   |
| <b>902972</b> |     | 240        | 140        | 205        | 65     | 24     | 36     |          |
| <b>902973</b> |     | 300        | 200        | 265        | 65     | 24     | 36     |          |
| <b>902974</b> | M36 | 190        | 110        | 155        | 45     | 30     | 42     | 15.000   |
| <b>902975</b> |     | 240        | 140        | 205        | 65     | 30     | 42     |          |
| <b>902976</b> |     | 300        | 200        | 265        | 65     | 30     | 42     |          |



**CERTIFIED PRODUCTS**  
ASK FOR CERTIFICATION:  
certificate@movexii.com



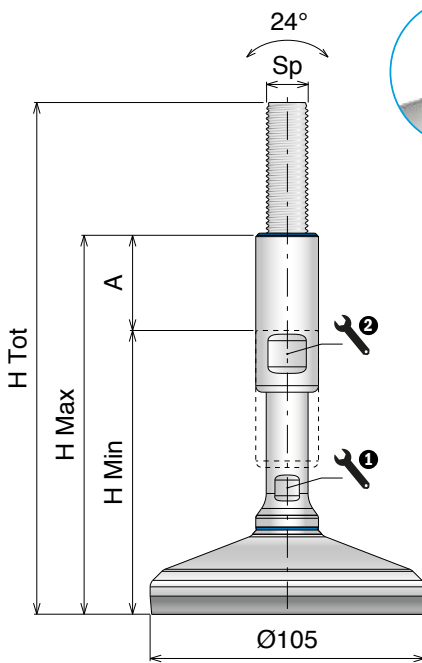
**Materiale / Material / Materialien:**

Base, stelo e boccia: Acciaio inox  
 Base plate, spindle and cover: Stainless steel  
 Fussplatte, Spindel und Hülse: Edelstahl

On request vulcanized rubber can be provided  
 white or blue and spindle can be made in AISI 316.

# C500 SPLIT

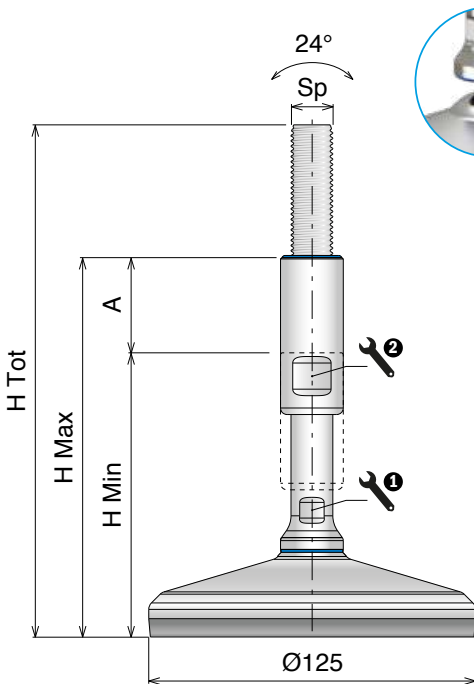
Piedi di livellamento / Leveling feet / Nivellierfüße



**Ø105**  
 DIAMETER (mm)



| Art-Nr.       | Sp  | H Tot (mm) | H Min (mm) | H Max (mm) | A (mm) | 1 (mm) | 2 (mm) | Load (N) |
|---------------|-----|------------|------------|------------|--------|--------|--------|----------|
| <b>902977</b> | M12 | 195        | 115        | 160        | 45     | 10     | 17     | 12.000   |
| <b>902978</b> |     | 245        | 145        | 210        | 65     | 10     | 17     |          |
| <b>902979</b> | M16 | 195        | 115        | 160        | 45     | 13     | 19     | 25.000   |
| <b>902980</b> |     | 245        | 145        | 210        | 65     | 13     | 19     |          |
| <b>902981</b> | M20 | 195        | 115        | 160        | 45     | 17     | 24     | 25.000   |
| <b>902982</b> |     | 245        | 145        | 210        | 65     | 17     | 24     |          |
| <b>902983</b> | M24 | 195        | 115        | 160        | 45     | 19     | 30     | 25.000   |
| <b>902984</b> |     | 245        | 145        | 210        | 65     | 19     | 30     |          |
| <b>902985</b> | M30 | 195        | 115        | 160        | 45     | 24     | 36     | 25.000   |
| <b>902986</b> |     | 245        | 145        | 210        | 65     | 24     | 36     |          |
| <b>902987</b> |     | 305        | 205        | 270        | 65     | 24     | 36     |          |
| <b>902988</b> | M36 | 195        | 115        | 160        | 45     | 30     | 42     | 25.000   |
| <b>902989</b> |     | 245        | 145        | 210        | 65     | 30     | 42     |          |
| <b>902990</b> |     | 305        | 205        | 270        | 65     | 30     | 42     |          |



**Ø125**  
 DIAMETER (mm)



| Art-Nr.       | Sp  | H Tot (mm) | H Min (mm) | H Max (mm) | A (mm) | 1 (mm) | 2 (mm) | Load (N) |
|---------------|-----|------------|------------|------------|--------|--------|--------|----------|
| <b>902991</b> | M12 | 195        | 115        | 160        | 45     | 10     | 17     | 12.000   |
| <b>902992</b> |     | 245        | 145        | 210        | 65     | 10     | 17     |          |
| <b>902993</b> | M16 | 195        | 115        | 160        | 45     | 13     | 19     | 30.000   |
| <b>902994</b> |     | 245        | 145        | 210        | 65     | 13     | 19     |          |
| <b>902995</b> | M20 | 195        | 115        | 160        | 45     | 17     | 24     | 30.000   |
| <b>902996</b> |     | 245        | 145        | 210        | 65     | 17     | 24     |          |
| <b>902997</b> | M24 | 195        | 115        | 160        | 45     | 19     | 30     | 30.000   |
| <b>902998</b> |     | 245        | 145        | 210        | 65     | 19     | 30     |          |
| <b>902999</b> | M30 | 195        | 115        | 160        | 45     | 24     | 36     | 30.000   |
| <b>903000</b> |     | 245        | 145        | 210        | 65     | 24     | 36     |          |
| <b>903001</b> |     | 305        | 205        | 270        | 65     | 24     | 36     |          |
| <b>903002</b> | M36 | 195        | 115        | 160        | 45     | 30     | 42     | 30.000   |
| <b>903003</b> |     | 245        | 145        | 210        | 65     | 30     | 42     |          |
| <b>903004</b> |     | 305        | 205        | 270        | 65     | 30     | 42     |          |



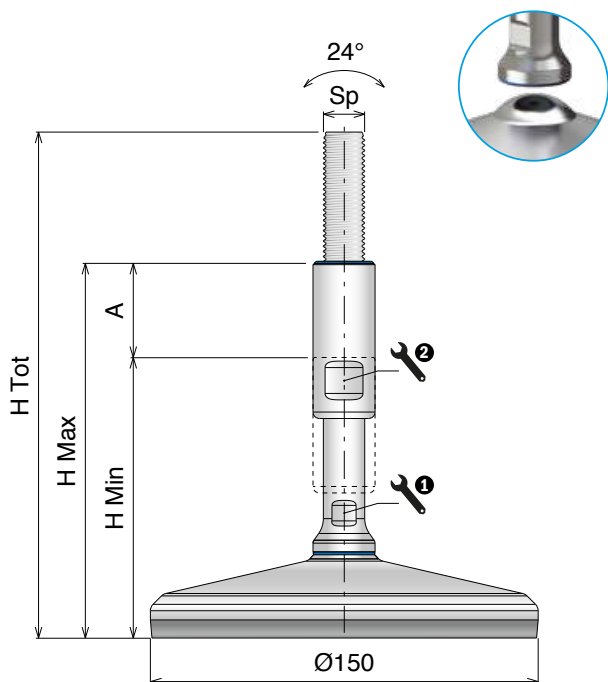
# C500 SPLIT

Piedi di livellamento / Leveling feet / Nivellierfüße

On request vulcanized rubber can be provided  
white or blue and spindle can be made in AISI 316.

## Materiale / Material / Materialien:

Base, stelo e boccola: Acciaio inox  
Base plate, spindle and cover: Stainless steel  
Fussplatte, Spindel und Hülse: Edelstahl



Ø150  
DIAMETER (mm)



| Art-Nr.       | Sp  | H Tot (mm) | H Min (mm) | H Max (mm) | A (mm) | 1 (mm) | 2 (mm) | Load (N) |
|---------------|-----|------------|------------|------------|--------|--------|--------|----------|
| <b>903005</b> | M12 | 195        | 115        | 160        | 45     | 10     | 17     | 12.000   |
| <b>903006</b> |     | 245        | 145        | 210        | 65     | 10     | 17     |          |
| <b>903007</b> | M16 | 195        | 115        | 160        | 45     | 13     | 19     | 30.000   |
| <b>903008</b> |     | 245        | 145        | 210        | 65     | 13     | 19     |          |
| <b>903009</b> | M20 | 195        | 115        | 160        | 45     | 17     | 24     | 45.000   |
| <b>903010</b> |     | 245        | 145        | 210        | 65     | 17     | 24     |          |
| <b>903011</b> | M24 | 195        | 115        | 160        | 45     | 19     | 30     | 45.000   |
| <b>903012</b> |     | 245        | 145        | 210        | 65     | 19     | 30     |          |
| <b>903013</b> | M30 | 195        | 115        | 160        | 45     | 24     | 36     | 45.000   |
| <b>903014</b> |     | 245        | 145        | 210        | 65     | 24     | 36     |          |
| <b>903015</b> |     | 305        | 205        | 270        | 65     | 24     | 36     |          |
| <b>903016</b> | M36 | 195        | 115        | 160        | 45     | 30     | 42     | 45.000   |
| <b>903017</b> |     | 245        | 145        | 210        | 65     | 30     | 42     |          |
| <b>903018</b> |     | 305        | 205        | 270        | 65     | 30     | 42     |          |



**CERTIFIED PRODUCTS**  
ASK FOR CERTIFICATION:  
certificate@movexii.com

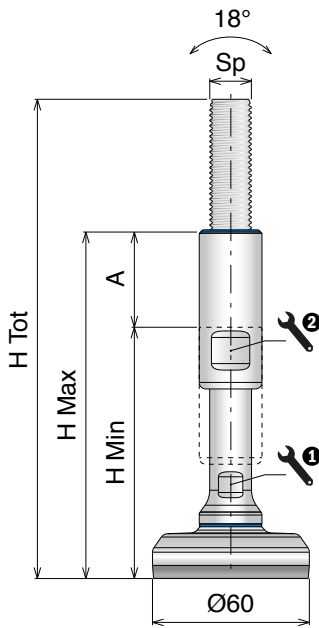
**Materiale / Material / Materialien:**

Base, stelo, rondella e boccia: Acciaio inox  
 Base plate, spindle, washer and cover: Stainless steel  
 Fussplatte, Spindel, Scheibe und Hülse: Edelstahl

On request vulcanized rubber can be provided  
 white or blue and spindle can be made in AISI 316.

# C500 HEAVY

Piedi di livellamento / Leveling feet / Nivellierfüße



**Ø60**

DIAMETER (mm)

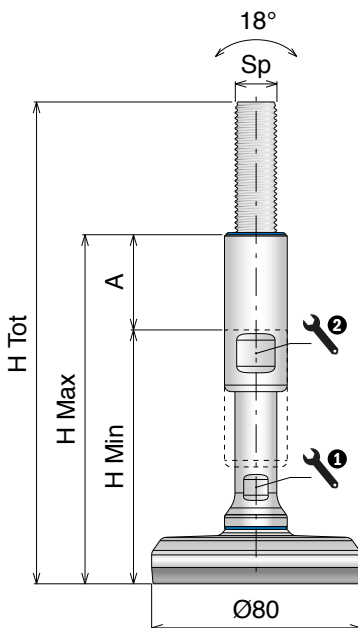


HIGH LOAD



ANTI-SLIP

| Art-Nr. | Sp  | H Tot (mm) | H Min (mm) | H Max (mm) | A (mm) | 1 (mm) | 2 (mm) | Load (N) |
|---------|-----|------------|------------|------------|--------|--------|--------|----------|
| 903019  | M12 | 182,5      | 102,5      | 147,5      | 45     | 10     | 17     | 12.000   |
| 903020  |     | 232,5      | 132,5      | 197,5      | 65     | 10     | 17     |          |
| 903021  | M16 | 182,5      | 102,5      | 147,5      | 45     | 13     | 19     | 30.000   |
| 903022  |     | 232,5      | 132,5      | 197,5      | 65     | 13     | 19     |          |
| 903023  | M20 | 182,5      | 102,5      | 147,5      | 45     | 17     | 24     | 45.000   |
| 903024  |     | 232,5      | 132,5      | 197,5      | 65     | 17     | 24     |          |
| 903025  | M24 | 182,5      | 102,5      | 147,5      | 45     | 19     | 30     | 60.000   |
| 903026  |     | 232,5      | 132,5      | 197,5      | 65     | 19     | 30     |          |
| 903027  | M30 | 182,5      | 102,5      | 147,5      | 45     | 24     | 36     | 60.000   |
| 903028  |     | 232,5      | 132,5      | 197,5      | 65     | 24     | 36     |          |
| 903029  |     | 292,5      | 192,5      | 257,5      | 65     | 24     | 36     |          |
| 903030  | M36 | 182,5      | 102,5      | 147,5      | 45     | 30     | 42     | 60.000   |
| 903031  |     | 232,5      | 132,5      | 197,5      | 65     | 30     | 42     |          |
| 903032  |     | 292,5      | 192,5      | 257,5      | 65     | 30     | 42     |          |



**Ø80**

DIAMETER (mm)



HIGH LOAD



ANTI-SLIP

| Art-Nr. | Sp  | H Tot (mm) | H Min (mm) | H Max (mm) | A (mm) | 1 (mm) | 2 (mm) | Load (N) |
|---------|-----|------------|------------|------------|--------|--------|--------|----------|
| 903033  | M12 | 183,5      | 103,5      | 148,5      | 45     | 10     | 17     | 12.000   |
| 903034  |     | 233,5      | 133,5      | 198,5      | 65     | 10     | 17     |          |
| 903035  | M16 | 183,5      | 103,5      | 148,5      | 45     | 13     | 19     | 30.000   |
| 903036  |     | 233,5      | 133,5      | 198,5      | 65     | 13     | 19     |          |
| 903037  | M20 | 183,5      | 103,5      | 148,5      | 45     | 17     | 24     | 45.000   |
| 903038  |     | 233,5      | 133,5      | 198,5      | 65     | 17     | 24     |          |
| 903039  | M24 | 183,5      | 103,5      | 148,5      | 45     | 19     | 30     | 70.000   |
| 903040  |     | 233,5      | 133,5      | 198,5      | 65     | 19     | 30     |          |
| 903041  | M30 | 183,5      | 103,5      | 148,5      | 45     | 24     | 36     | 80.000   |
| 903042  |     | 233,5      | 133,5      | 198,5      | 65     | 24     | 36     |          |
| 903043  |     | 293,5      | 193,5      | 258,5      | 65     | 24     | 36     |          |
| 903044  | M36 | 183,5      | 103,5      | 148,5      | 45     | 30     | 42     | 80.000   |
| 903045  |     | 233,5      | 133,5      | 198,5      | 65     | 30     | 42     |          |
| 903046  |     | 293,5      | 193,5      | 258,5      | 65     | 30     | 42     |          |



**CERTIFIED PRODUCTS**

ASK FOR CERTIFICATION:  
 certificate@movexii.com

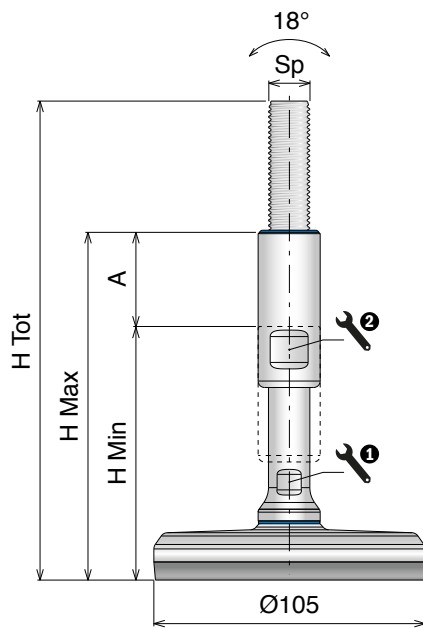
# C500 HEAVY

Piedi di livellamento / Leveling feet / Nivellierfüße

On request vulcanized rubber can be provided  
white or blue and spindle can be made in AISI 316.

**Materiale / Material / Materialien:**

Base, stelo, rondella e boccola: Acciaio inox  
Base plate, spindle, washer and cover: Stainless steel  
Fussplatte, Spindel, Scheibe und Hülse: Edelstahl



## Ø105

DIAMETER (mm)

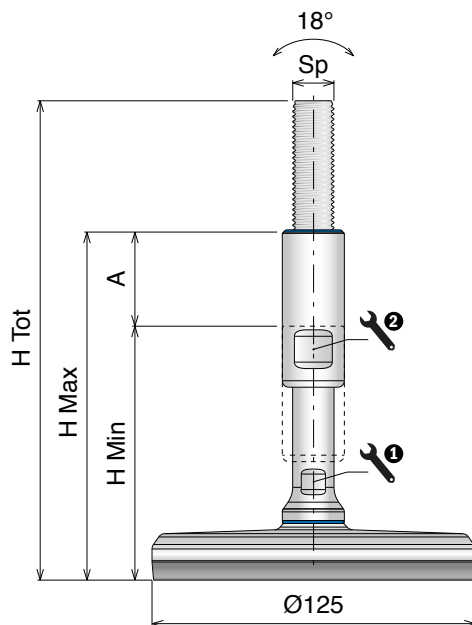


HIGH LOAD



ANTI-SLIP

| Art-Nr. | Sp  | H Tot (mm) | H Min (mm) | H Max (mm) | A (mm) | 1 (mm) | 2 (mm) | Load (N) |
|---------|-----|------------|------------|------------|--------|--------|--------|----------|
| 903047  | M12 | 184,5      | 104,5      | 149,5      | 45     | 10     | 17     | 12.000   |
| 903048  |     | 234,5      | 134,5      | 199,5      | 65     | 10     | 17     |          |
| 903049  | M16 | 184,5      | 104,5      | 149,5      | 45     | 13     | 19     | 30.000   |
| 903050  |     | 234,5      | 134,5      | 199,5      | 65     | 13     | 19     |          |
| 903051  | M20 | 184,5      | 104,5      | 149,5      | 45     | 17     | 24     | 45.000   |
| 903052  |     | 234,5      | 134,5      | 199,5      | 65     | 17     | 24     |          |
| 903053  | M24 | 184,5      | 104,5      | 149,5      | 45     | 19     | 30     | 70.000   |
| 903054  |     | 234,5      | 134,5      | 199,5      | 65     | 19     | 30     |          |
| 903055  | M30 | 184,5      | 104,5      | 149,5      | 45     | 24     | 36     | 100.000  |
| 903056  |     | 234,5      | 134,5      | 199,5      | 65     | 24     | 36     |          |
| 903057  |     | 294,5      | 194,5      | 259,5      | 65     | 24     | 36     |          |
| 903058  | M36 | 184,5      | 104,5      | 149,5      | 45     | 30     | 42     | 120.000  |
| 903059  |     | 234,5      | 134,5      | 199,5      | 65     | 30     | 42     |          |
| 903060  |     | 294,5      | 194,5      | 259,5      | 65     | 30     | 42     |          |



## Ø125

DIAMETER (mm)



HIGH LOAD



ANTI-SLIP

| Art-Nr. | Sp  | H Tot (mm) | H Min (mm) | H Max (mm) | A (mm) | 1 (mm) | 2 (mm) | Load (N) |
|---------|-----|------------|------------|------------|--------|--------|--------|----------|
| 903061  | M12 | 184,5      | 104,5      | 149,5      | 45     | 10     | 17     | 12.000   |
| 903062  |     | 234,5      | 134,5      | 199,5      | 65     | 10     | 17     |          |
| 903063  | M16 | 184,5      | 104,5      | 149,5      | 45     | 13     | 19     | 30.000   |
| 903064  |     | 234,5      | 134,5      | 199,5      | 65     | 13     | 19     |          |
| 903065  | M20 | 184,5      | 104,5      | 149,5      | 45     | 17     | 24     | 45.000   |
| 903066  |     | 234,5      | 134,5      | 199,5      | 65     | 17     | 24     |          |
| 903067  | M24 | 184,5      | 104,5      | 149,5      | 45     | 19     | 30     | 70.000   |
| 903068  |     | 234,5      | 134,5      | 199,5      | 65     | 19     | 30     |          |
| 903069  | M30 | 184,5      | 104,5      | 149,5      | 45     | 24     | 36     | 100.000  |
| 903070  |     | 234,5      | 134,5      | 199,5      | 65     | 24     | 36     |          |
| 903071  |     | 294,5      | 194,5      | 259,5      | 65     | 24     | 36     |          |
| 903072  | M36 | 184,5      | 104,5      | 149,5      | 45     | 30     | 42     | 130.000  |
| 903073  |     | 234,5      | 134,5      | 199,5      | 65     | 30     | 42     |          |
| 903074  |     | 294,5      | 194,5      | 259,5      | 65     | 30     | 42     |          |



**CERTIFIED PRODUCTS**

ASK FOR CERTIFICATION:  
certificate@movexii.com

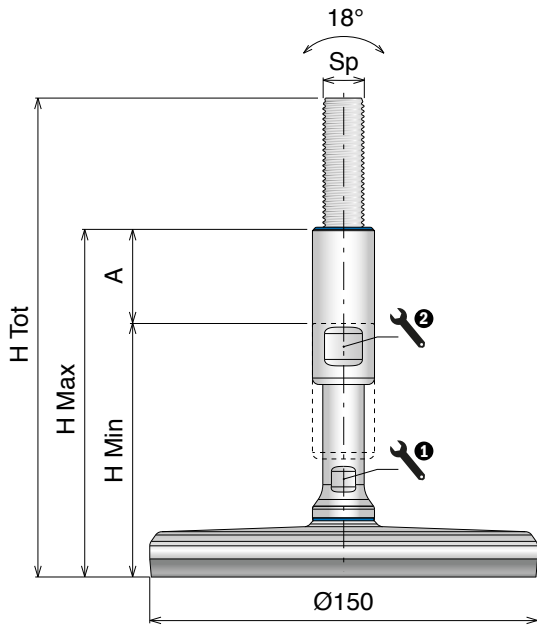
**Materiale / Material / Materialien:**

Base, stelo, rondella e boccia: Acciaio inox  
 Base plate, spindle, washer and cover: Stainless steel  
 Fussplatte, Spindel, Scheibe und Hülse: Edelstahl

On request vulcanized rubber can be provided  
 white or blue and spindle can be made in AISI 316.

# C500 HEAVY

Piedi di livellamento / Leveling feet / Nivellierfüße

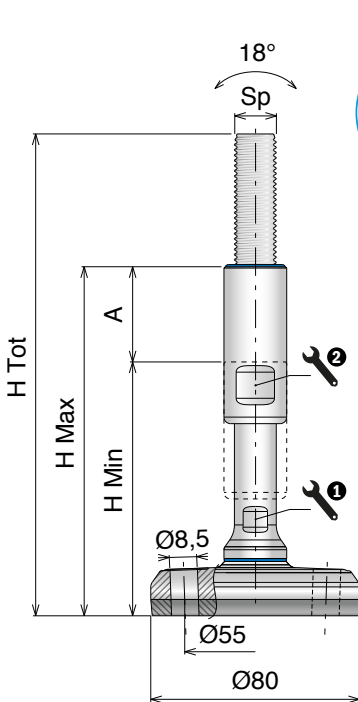


## Ø 150

DIAMETER (mm)



| Art-Nr. | Sp  | H Tot (mm) | H Min (mm) | H Max (mm) | A (mm) | 1 (mm) | 2 (mm) | Load (N) |
|---------|-----|------------|------------|------------|--------|--------|--------|----------|
| 903075  | M12 | 184,5      | 104,5      | 149,5      | 45     | 10     | 17     | 12.000   |
| 903076  |     | 234,5      | 134,5      | 199,5      | 65     | 10     | 17     |          |
| 903077  | M16 | 184,5      | 104,5      | 149,5      | 45     | 13     | 19     | 30.000   |
| 903078  |     | 234,5      | 134,5      | 199,5      | 65     | 13     | 19     |          |
| 903079  | M20 | 184,5      | 104,5      | 149,5      | 45     | 17     | 24     | 45.000   |
| 903080  |     | 234,5      | 134,5      | 199,5      | 65     | 17     | 24     |          |
| 903081  | M24 | 184,5      | 104,5      | 149,5      | 45     | 19     | 30     | 70.000   |
| 903082  |     | 234,5      | 134,5      | 199,5      | 65     | 19     | 30     |          |
| 903083  | M30 | 184,5      | 104,5      | 149,5      | 45     | 24     | 36     | 100.000  |
| 903084  |     | 234,5      | 134,5      | 199,5      | 65     | 24     | 36     |          |
| 903085  |     | 294,5      | 194,5      | 259,5      | 65     | 24     | 36     |          |
| 903086  | M36 | 184,5      | 104,5      | 149,5      | 45     | 30     | 42     | 150.000  |
| 903087  |     | 234,5      | 134,5      | 199,5      | 65     | 30     | 42     |          |
| 903088  |     | 294,5      | 194,5      | 259,5      | 65     | 30     | 42     |          |



## Ø 80

DIAMETER (mm)



| Art-Nr. | Sp  | H Tot (mm) | H Min (mm) | H Max (mm) | A (mm) | 1 (mm) | 2 (mm) | Load (N) |
|---------|-----|------------|------------|------------|--------|--------|--------|----------|
| 903103  | M12 | 183,5      | 103,5      | 148,5      | 45     | 10     | 17     | 12.000   |
| 903104  |     | 233,5      | 133,5      | 198,5      | 65     | 10     | 17     |          |
| 903105  | M16 | 183,5      | 103,5      | 148,5      | 45     | 13     | 19     | 30.000   |
| 903106  |     | 233,5      | 133,5      | 198,5      | 65     | 13     | 19     |          |
| 903107  | M20 | 183,5      | 103,5      | 148,5      | 45     | 17     | 24     | 45.000   |
| 903108  |     | 233,5      | 133,5      | 198,5      | 65     | 17     | 24     |          |
| 903109  | M24 | 183,5      | 103,5      | 148,5      | 45     | 19     | 30     | 70.000   |
| 903110  |     | 233,5      | 133,5      | 198,5      | 65     | 19     | 30     |          |
| 903111  | M30 | 183,5      | 103,5      | 148,5      | 45     | 24     | 36     | 80.000   |
| 903112  |     | 233,5      | 133,5      | 198,5      | 65     | 24     | 36     |          |
| 903113  |     | 293,5      | 193,5      | 258,5      | 65     | 24     | 36     |          |
| 903114  | M36 | 183,5      | 103,5      | 148,5      | 45     | 30     | 42     | 80.000   |
| 903115  |     | 233,5      | 133,5      | 198,5      | 65     | 30     | 42     |          |
| 903116  |     | 293,5      | 193,5      | 258,5      | 65     | 30     | 42     |          |

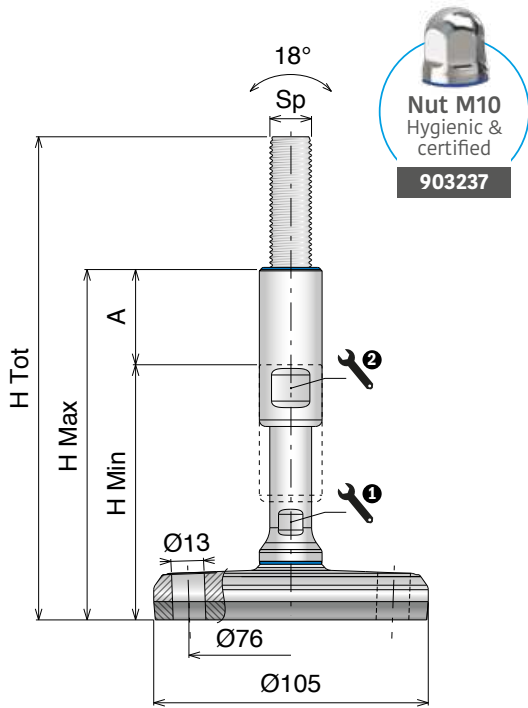
# C500 HEAVY

Piedi di livellamento / Leveling feet / Nivellierfüße

On request vulcanized rubber can be provided  
white or blue and spindle can be made in AISI 316.

**Materiale / Material / Materialien:**

Base, stelo, rondella e boccola: Acciaio inox  
Base plate, spindle, washer and cover: Stainless steel  
Fussplatte, Spindel, Scheibe und Hülse: Edelstahl



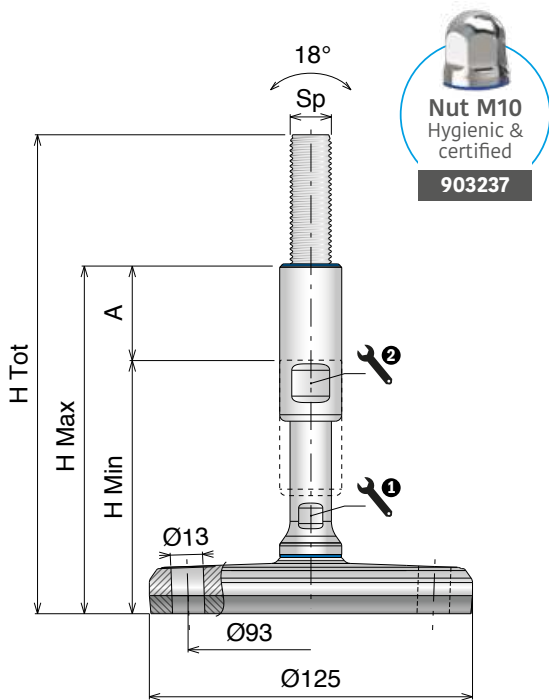
**Ø105**  
DIAMETER (mm)

**Kg**  
HIGH LOAD

**X2**  
FIXING POINT

**←→**  
ANTI-SLIP

| Art-Nr. | Sp  | H Tot (mm) | H Min (mm) | H Max (mm) | A (mm) | 1 (mm) | 2 (mm) | Load (N) |
|---------|-----|------------|------------|------------|--------|--------|--------|----------|
| 903117  | M12 | 184,5      | 104,5      | 149,5      | 45     | 10     | 17     | 12.000   |
| 903118  |     | 234,5      | 134,5      | 199,5      | 65     | 10     | 17     |          |
| 903119  | M16 | 184,5      | 104,5      | 149,5      | 45     | 13     | 19     | 30.000   |
| 903120  |     | 234,5      | 134,5      | 199,5      | 65     | 13     | 19     |          |
| 903121  | M20 | 184,5      | 104,5      | 149,5      | 45     | 17     | 24     | 45.000   |
| 903122  |     | 234,5      | 134,5      | 199,5      | 65     | 17     | 24     |          |
| 903123  | M24 | 184,5      | 104,5      | 149,5      | 45     | 19     | 30     | 70.000   |
| 903124  |     | 234,5      | 134,5      | 199,5      | 65     | 19     | 30     |          |
| 903125  | M30 | 184,5      | 104,5      | 149,5      | 45     | 24     | 36     | 100.000  |
| 903126  |     | 234,5      | 134,5      | 199,5      | 65     | 24     | 36     |          |
| 903127  |     | 294,5      | 194,5      | 259,5      | 65     | 24     | 36     |          |
| 903128  | M36 | 184,5      | 104,5      | 149,5      | 45     | 30     | 42     | 120.000  |
| 903129  |     | 234,5      | 134,5      | 199,5      | 65     | 30     | 42     |          |
| 903130  |     | 294,5      | 194,5      | 259,5      | 65     | 30     | 42     |          |



**Ø125**  
DIAMETER (mm)

**Kg**  
HIGH LOAD

**X2**  
FIXING POINT

**←→**  
ANTI-SLIP

| Art-Nr. | Sp  | H Tot (mm) | H Min (mm) | H Max (mm) | A (mm) | 1 (mm) | 2 (mm) | Load (N) |
|---------|-----|------------|------------|------------|--------|--------|--------|----------|
| 903131  | M12 | 184,5      | 104,5      | 149,5      | 45     | 10     | 17     | 12.000   |
| 903132  |     | 234,5      | 134,5      | 199,5      | 65     | 10     | 17     |          |
| 903133  | M16 | 184,5      | 104,5      | 149,5      | 45     | 13     | 19     | 30.000   |
| 903134  |     | 234,5      | 134,5      | 199,5      | 65     | 13     | 19     |          |
| 903135  | M20 | 184,5      | 104,5      | 149,5      | 45     | 17     | 24     | 45.000   |
| 903136  |     | 234,5      | 134,5      | 199,5      | 65     | 17     | 24     |          |
| 903137  | M24 | 184,5      | 104,5      | 149,5      | 45     | 19     | 30     | 70.000   |
| 903138  |     | 234,5      | 134,5      | 199,5      | 65     | 19     | 30     |          |
| 903139  | M30 | 184,5      | 104,5      | 149,5      | 45     | 24     | 36     | 100.000  |
| 903140  |     | 234,5      | 134,5      | 199,5      | 65     | 24     | 36     |          |
| 903141  |     | 294,5      | 194,5      | 259,5      | 65     | 24     | 36     |          |
| 903142  | M36 | 184,5      | 104,5      | 149,5      | 45     | 30     | 42     | 130.000  |
| 903143  |     | 234,5      | 134,5      | 199,5      | 65     | 30     | 42     |          |
| 903144  |     | 294,5      | 194,5      | 259,5      | 65     | 30     | 42     |          |



**CERTIFIED PRODUCTS**  
ASK FOR CERTIFICATION:  
certificate@movexii.com

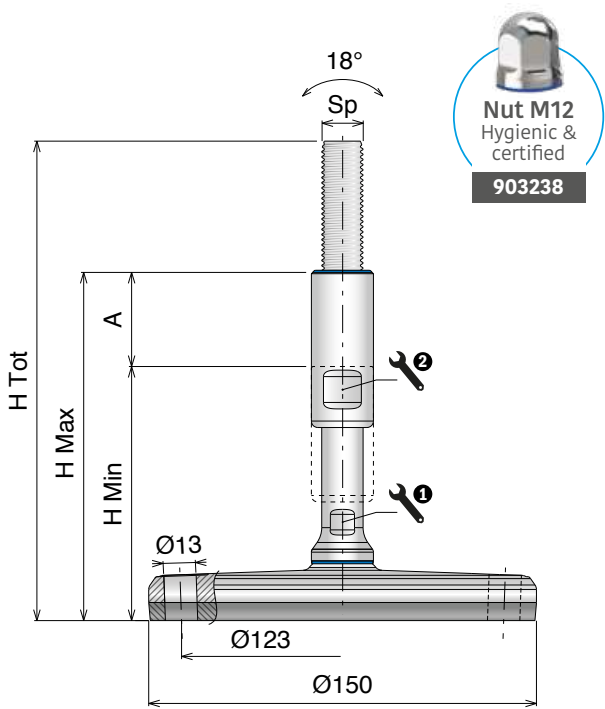
**Materiale / Material / Materialien:**

Base, stelo, rondella e boccia: Acciaio inox  
 Base plate, spindle, washer and cover: Stainless steel  
 Fussplatte, Spindel, Scheibe und Hülse: Edelstahl

On request vulcanized rubber can be provided  
 white or blue and spindle can be made in AISI 316.

# C500 HEAVY

Piedi di livellamento / Leveling feet / Nivellierfüße



**Ø 150**  
 DIAMETER (mm)



HIGH LOAD



FIXING POINT



ANTI-SLIP

| Art-Nr. | Sp  | H Tot (mm) | H Min (mm) | H Max (mm) | A (mm) | 1 (mm) | 2 (mm) | Load (N) |
|---------|-----|------------|------------|------------|--------|--------|--------|----------|
| 903145  | M12 | 184,5      | 104,5      | 149,5      | 45     | 10     | 17     | 12.000   |
| 903146  |     | 234,5      | 134,5      | 199,5      | 65     | 10     | 17     |          |
| 903147  | M16 | 184,5      | 104,5      | 149,5      | 45     | 13     | 19     | 30.000   |
| 903148  |     | 234,5      | 134,5      | 199,5      | 65     | 13     | 19     |          |
| 903149  | M20 | 184,5      | 104,5      | 149,5      | 45     | 17     | 24     | 45.000   |
| 903150  |     | 234,5      | 134,5      | 199,5      | 65     | 17     | 24     |          |
| 903151  | M24 | 184,5      | 104,5      | 149,5      | 45     | 19     | 30     | 70.000   |
| 903152  |     | 234,5      | 134,5      | 199,5      | 65     | 19     | 30     |          |
| 903153  | M30 | 184,5      | 104,5      | 149,5      | 45     | 24     | 36     | 100.000  |
| 903154  |     | 234,5      | 134,5      | 199,5      | 65     | 24     | 36     |          |
| 903155  |     | 294,5      | 194,5      | 259,5      | 65     | 24     | 36     |          |
| 903156  | M36 | 184,5      | 104,5      | 149,5      | 45     | 30     | 42     | 150.000  |
| 903157  |     | 234,5      | 134,5      | 199,5      | 65     | 30     | 42     |          |
| 903158  |     | 294,5      | 194,5      | 259,5      | 65     | 30     | 42     |          |



**CERTIFIED PRODUCTS**  
 ASK FOR CERTIFICATION:  
[certificate@movexii.com](mailto:certificate@movexii.com)

# C500 HEAVY-SPLIT

Piedi di livellamento / Leveling feet / Nivellierfüße

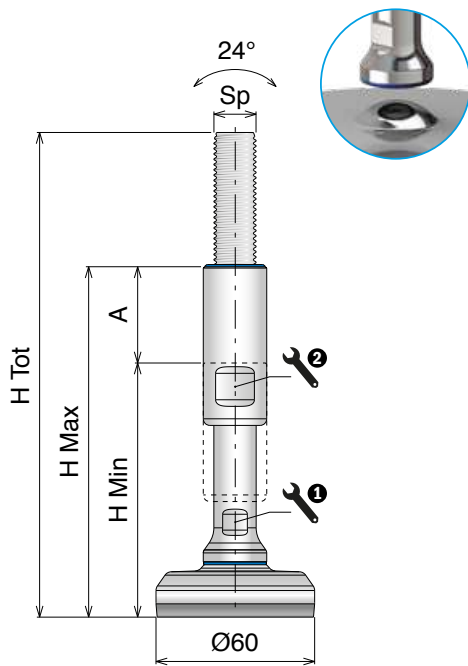
On request vulcanized rubber can be provided  
white or blue and spindle can be made in AISI 316.

**Materiale / Material / Materialien:**

Base, stelo e boccola: Acciaio inox

Base plate, spindle and cover: Stainless steel

Fussplatte, Spindel und Hülse: Edelstahl



## Ø 60

DIAMETER (mm)



HIGH LOAD

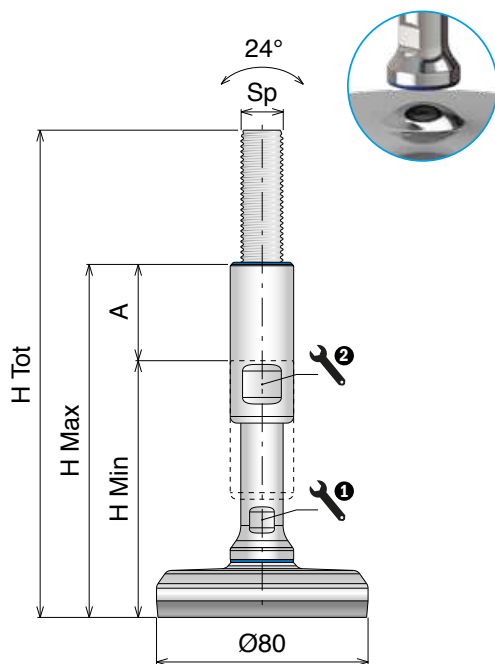


SLIT VERSION



ANTI-SLIP

| Art-Nr.       | Sp  | H Tot (mm) | H Min (mm) | H Max (mm) | A (mm) | 1 (mm) | 2 (mm) | Load (N) |
|---------------|-----|------------|------------|------------|--------|--------|--------|----------|
| <b>903159</b> | M12 | 182,5      | 102,5      | 147,5      | 45     | 10     | 17     | 12.000   |
| <b>903160</b> |     | 232,5      | 132,5      | 197,5      | 65     | 10     | 17     |          |
| <b>903161</b> | M16 | 182,5      | 102,5      | 147,5      | 45     | 13     | 19     | 30.000   |
| <b>903162</b> |     | 232,5      | 132,5      | 197,5      | 65     | 13     | 19     |          |
| <b>903163</b> | M20 | 182,5      | 102,5      | 147,5      | 45     | 17     | 24     | 45.000   |
| <b>903164</b> |     | 232,5      | 132,5      | 197,5      | 65     | 17     | 24     |          |
| <b>903165</b> | M24 | 182,5      | 102,5      | 147,5      | 45     | 19     | 30     | 60.000   |
| <b>903166</b> |     | 232,5      | 132,5      | 197,5      | 65     | 19     | 30     |          |
| <b>903167</b> | M30 | 182,5      | 102,5      | 147,5      | 45     | 24     | 36     | 60.000   |
| <b>903168</b> |     | 232,5      | 132,5      | 197,5      | 65     | 24     | 36     |          |
| <b>903169</b> |     | 292,5      | 192,5      | 257,5      | 65     | 24     | 36     |          |
| <b>903170</b> | M36 | 182,5      | 102,5      | 147,5      | 45     | 30     | 42     | 60.000   |
| <b>903171</b> |     | 232,5      | 132,5      | 197,5      | 65     | 30     | 42     |          |
| <b>903172</b> |     | 292,5      | 192,5      | 257,5      | 65     | 30     | 42     |          |



## Ø 80

DIAMETER (mm)



HIGH LOAD



SLIT VERSION



ANTI-SLIP

| Art-Nr.       | Sp  | H Tot (mm) | H Min (mm) | H Max (mm) | A (mm) | 1 (mm) | 2 (mm) | Load (N) |
|---------------|-----|------------|------------|------------|--------|--------|--------|----------|
| <b>903173</b> | M12 | 183,5      | 103,5      | 148,5      | 45     | 10     | 17     | 12.000   |
| <b>903174</b> |     | 233,5      | 133,5      | 198,5      | 65     | 10     | 17     |          |
| <b>903175</b> | M16 | 183,5      | 103,5      | 148,5      | 45     | 13     | 19     | 30.000   |
| <b>903176</b> |     | 233,5      | 133,5      | 198,5      | 65     | 13     | 19     |          |
| <b>903177</b> | M20 | 183,5      | 103,5      | 148,5      | 45     | 17     | 24     | 45.000   |
| <b>903178</b> |     | 233,5      | 133,5      | 198,5      | 65     | 17     | 24     |          |
| <b>903179</b> | M24 | 183,5      | 103,5      | 148,5      | 45     | 19     | 30     | 70.000   |
| <b>903180</b> |     | 233,5      | 133,5      | 198,5      | 65     | 19     | 30     |          |
| <b>903181</b> | M30 | 183,5      | 103,5      | 148,5      | 45     | 24     | 36     | 80.000   |
| <b>903182</b> |     | 233,5      | 133,5      | 198,5      | 65     | 24     | 36     |          |
| <b>903183</b> |     | 293,5      | 193,5      | 258,5      | 65     | 24     | 36     |          |
| <b>903184</b> | M36 | 183,5      | 103,5      | 148,5      | 45     | 30     | 42     | 80.000   |
| <b>903185</b> |     | 233,5      | 133,5      | 198,5      | 65     | 30     | 42     |          |
| <b>903186</b> |     | 293,5      | 193,5      | 258,5      | 65     | 30     | 42     |          |



**CERTIFIED PRODUCTS**

ASK FOR CERTIFICATION:  
certificate@movexii.com

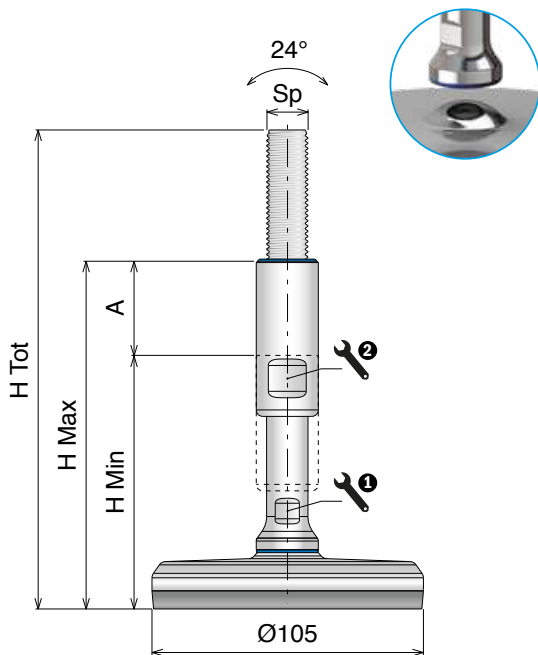


**Materiale / Material / Materialien:**  
 Base, stelo e boccia: Acciaio inox  
 Base plate, spindle and cover: Stainless steel  
 Fussplatte, Spindel und Hülse: Edelstahl

On request vulcanized rubber can be provided  
 white or blue and spindle can be made in AISI 316.

# C500 HEAVY-SPLIT

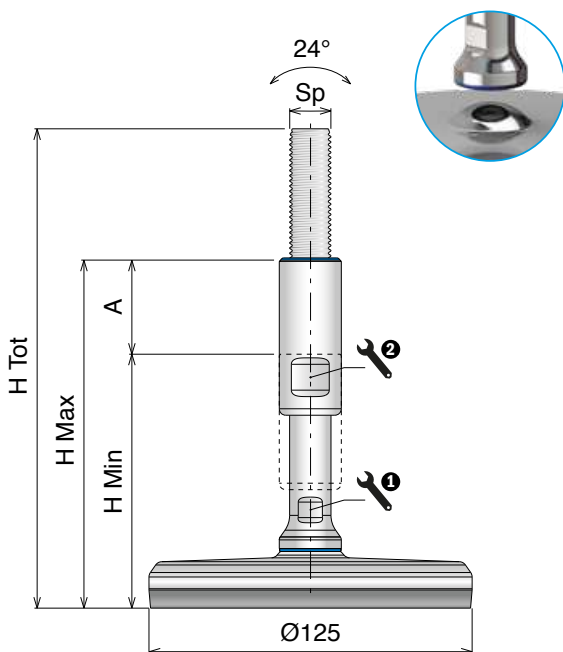
Piedi di livellamento / Leveling feet / Nivellierfüße



**Ø105**  
 DIAMETER (mm)



| Art-Nr.       | Sp  | H Tot (mm) | H Min (mm) | H Max (mm) | A (mm) | 1 (mm) | 2 (mm) | Load (N) |
|---------------|-----|------------|------------|------------|--------|--------|--------|----------|
| <b>903187</b> | M12 | 184,5      | 104,5      | 149,5      | 45     | 10     | 17     | 12.000   |
| <b>903188</b> |     | 234,5      | 134,5      | 199,5      | 65     | 10     | 17     |          |
| <b>903189</b> | M16 | 184,5      | 104,5      | 149,5      | 45     | 13     | 19     | 30.000   |
| <b>903190</b> |     | 234,5      | 134,5      | 199,5      | 65     | 13     | 19     |          |
| <b>903191</b> | M20 | 184,5      | 104,5      | 149,5      | 45     | 17     | 24     | 45.000   |
| <b>903192</b> |     | 234,5      | 134,5      | 199,5      | 65     | 17     | 24     |          |
| <b>903193</b> | M24 | 184,5      | 104,5      | 149,5      | 45     | 19     | 30     | 70.000   |
| <b>903194</b> |     | 234,5      | 134,5      | 199,5      | 65     | 19     | 30     |          |
| <b>903195</b> | M30 | 184,5      | 104,5      | 149,5      | 45     | 24     | 36     | 100.000  |
| <b>903196</b> |     | 234,5      | 134,5      | 199,5      | 65     | 24     | 36     |          |
| <b>903197</b> |     | 294,5      | 194,5      | 259,5      | 65     | 24     | 36     |          |
| <b>903198</b> | M36 | 184,5      | 104,5      | 149,5      | 45     | 30     | 42     | 120.000  |
| <b>903199</b> |     | 234,5      | 134,5      | 199,5      | 65     | 30     | 42     |          |
| <b>903200</b> |     | 294,5      | 194,5      | 259,5      | 65     | 30     | 42     |          |



**Ø125**  
 DIAMETER (mm)



| Art-Nr.       | Sp  | H Tot (mm) | H Min (mm) | H Max (mm) | A (mm) | 1 (mm) | 2 (mm) | Load (N) |
|---------------|-----|------------|------------|------------|--------|--------|--------|----------|
| <b>903201</b> | M12 | 184,5      | 104,5      | 149,5      | 45     | 10     | 17     | 12.000   |
| <b>903202</b> |     | 234,5      | 134,5      | 199,5      | 65     | 10     | 17     |          |
| <b>903203</b> | M16 | 184,5      | 104,5      | 149,5      | 45     | 13     | 19     | 30.000   |
| <b>903204</b> |     | 234,5      | 134,5      | 199,5      | 65     | 13     | 19     |          |
| <b>903205</b> | M20 | 184,5      | 104,5      | 149,5      | 45     | 17     | 24     | 45.000   |
| <b>903206</b> |     | 234,5      | 134,5      | 199,5      | 65     | 17     | 24     |          |
| <b>903207</b> | M24 | 184,5      | 104,5      | 149,5      | 45     | 19     | 30     | 70.000   |
| <b>903208</b> |     | 234,5      | 134,5      | 199,5      | 65     | 19     | 30     |          |
| <b>903209</b> | M30 | 184,5      | 104,5      | 149,5      | 45     | 24     | 36     | 100.000  |
| <b>903210</b> |     | 234,5      | 134,5      | 199,5      | 65     | 24     | 36     |          |
| <b>903211</b> |     | 294,5      | 194,5      | 259,5      | 65     | 24     | 36     |          |
| <b>903212</b> | M36 | 184,5      | 104,5      | 149,5      | 45     | 30     | 42     | 130.000  |
| <b>903213</b> |     | 234,5      | 134,5      | 199,5      | 65     | 30     | 42     |          |
| <b>903214</b> |     | 294,5      | 194,5      | 259,5      | 65     | 30     | 42     |          |



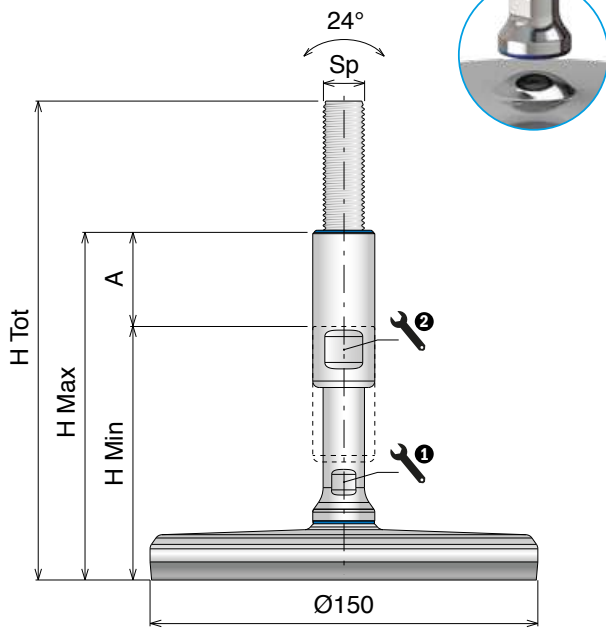
# C500 HEAVY-SPLIT

Piedi di livellamento / Leveling feet / Nivellierfüße

On request vulcanized rubber can be provided  
white or blue and spindle can be made in AISI 316.

## Materiale / Material / Materialien:

Base, stelo e boccola: Acciaio inox  
Base plate, spindle and cover: Stainless steel  
Fussplatte, Spindel und Hülse: Edelstahl



Ø150  
DIAMETER (mm)



HIGH LOAD



SLIT VERSION



ANTI-SLIP

| Art-Nr.       | Sp  | H Tot (mm) | H Min (mm) | H Max (mm) | A (mm) | 1 (mm) | 2 (mm) | Load (N) |
|---------------|-----|------------|------------|------------|--------|--------|--------|----------|
| <b>903215</b> | M12 | 184,5      | 104,5      | 149,5      | 45     | 10     | 17     | 12.000   |
| <b>903216</b> |     | 234,5      | 134,5      | 199,5      | 65     | 10     | 17     |          |
| <b>903217</b> | M16 | 184,5      | 104,5      | 149,5      | 45     | 13     | 19     | 30.000   |
| <b>903218</b> |     | 234,5      | 134,5      | 199,5      | 65     | 13     | 19     |          |
| <b>903219</b> | M20 | 184,5      | 104,5      | 149,5      | 45     | 17     | 24     | 45.000   |
| <b>903220</b> |     | 234,5      | 134,5      | 199,5      | 65     | 17     | 24     |          |
| <b>903221</b> | M24 | 184,5      | 104,5      | 149,5      | 45     | 19     | 30     | 70.000   |
| <b>903222</b> |     | 234,5      | 134,5      | 199,5      | 65     | 19     | 30     |          |
| <b>903223</b> | M30 | 184,5      | 104,5      | 149,5      | 45     | 24     | 36     | 100.000  |
| <b>903224</b> |     | 234,5      | 134,5      | 199,5      | 65     | 24     | 36     |          |
| <b>903225</b> |     | 294,5      | 194,5      | 259,5      | 65     | 24     | 36     |          |
| <b>903226</b> | M36 | 184,5      | 104,5      | 149,5      | 45     | 30     | 42     | 150.000  |
| <b>903227</b> |     | 234,5      | 134,5      | 199,5      | 65     | 30     | 42     |          |
| <b>903228</b> |     | 294,5      | 194,5      | 259,5      | 65     | 30     | 42     |          |



**CERTIFIED PRODUCTS**

ASK FOR CERTIFICATION:  
certificate@movexii.com

**NEW 903** Boccia superiore certificata ed igienica  
 Certified hygienic top cover / Zertifiziert hygienische Abdeckülse

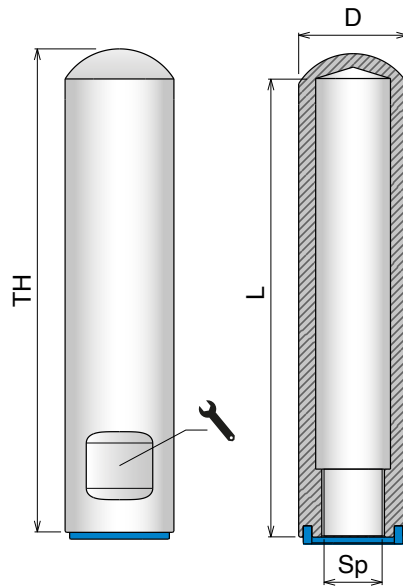
Delivery: **Easy** **Standard**



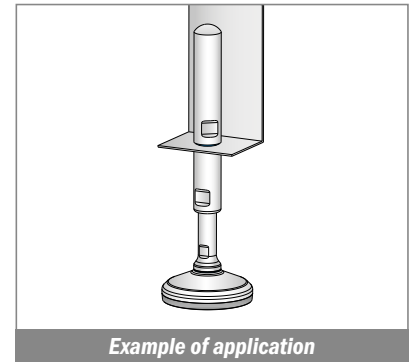
**Main features:**

- Stainless steel AISI 304
- Blue seal for hermetic closure
- Perfect to protect the threaded spindle

| Art-Nr. | Sp  | D   | TH  | L   |    |
|---------|-----|-----|-----|-----|----|
| 903229  | M12 | Ø20 | 110 | 100 | 17 |
| 903230  | M16 | Ø24 | 110 | 100 | 19 |
| 903231  | M20 | Ø30 | 110 | 100 | 24 |
| 903232  | M24 | Ø34 | 110 | 100 | 30 |
| 903233  | M30 | Ø40 | 110 | 100 | 36 |
| 903234  | M36 | Ø46 | 110 | 100 | 42 |



**CERTIFIED PRODUCTS**  
 ASK FOR CERTIFICATION:  
[certificate@movexii.com](mailto:certificate@movexii.com)



**NEW 903** Vite igienica certificata ed igienica  
 Certified hygienic screw / Zertifiziert hygienische Schraube

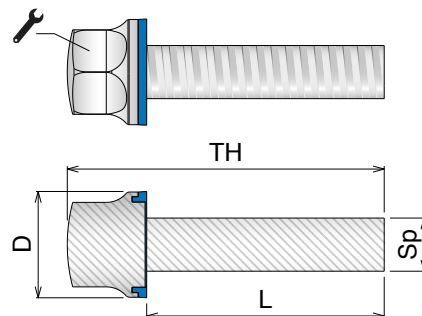
Delivery: **Easy** **Standard**



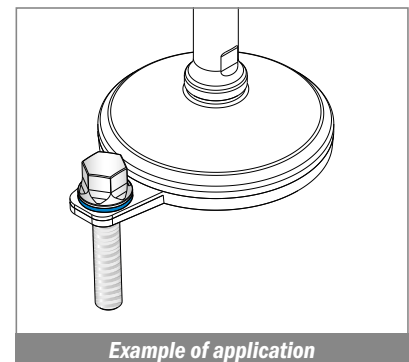
**Main features:**

- Stainless steel AISI 304
- Blue seal for hermetic closure

| Art-Nr. | Sp  | D    | TH | L  |    | Box    |
|---------|-----|------|----|----|----|--------|
| 903255  | M8  | 16   | 58 | 45 | 13 | 10 pcs |
| 903253  | M10 | 20   | 60 | 45 | 16 | 10 pcs |
| 903251  | M12 | 24,5 | 78 | 60 | 18 | 10 pcs |



**CERTIFIED PRODUCTS**  
 ASK FOR CERTIFICATION:  
[certificate@movexii.com](mailto:certificate@movexii.com)



## NEW 903

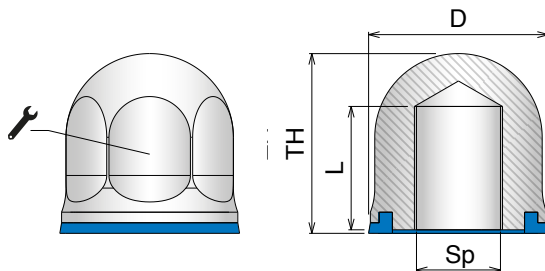
Dado certificato ed igienico  
Certified hygienic nut / Zertifiziert hygienische Hutmutter

Delivery: **Easy** **Standard**



### Main features:

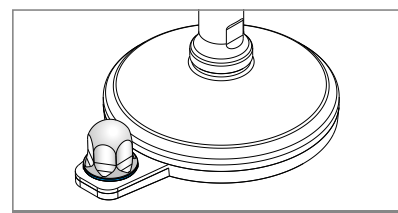
- Stainless steel AISI 304
- Blue seal for hermetic closure



| Art-Nr. | Sp  | D    | TH   | L  |    | Box    |
|---------|-----|------|------|----|----|--------|
| 903235  | M6  | 13   | 14   | 10 | 10 | 10 pcs |
| 903236  | M8  | 16   | 17   | 12 | 13 | 10 pcs |
| 903237  | M10 | 20   | 20,5 | 15 | 16 | 10 pcs |
| 903238  | M12 | 24,5 | 25   | 18 | 18 | 10 pcs |
| 903239  | M16 | 32   | 32   | 23 | 24 | 10 pcs |
| 903240  | M20 | 39   | 38   | 27 | 30 | 10 pcs |



**CERTIFIED PRODUCTS**  
ASK FOR CERTIFICATION:  
certificate@movexii.com



Example of application

## 998

Dado  
Nut / Sechskantmutter

Delivery: **Easy** **Standard**



### Main features:

- Stainless steel (SS) or Zinc plated steel (FeZn)
- UNI 5588 - ISO 4032 - DIN 934

| Art-Nr. | Art-Nr. | Sp  | Box    |
|---------|---------|-----|--------|
| SS      | FeZn    |     |        |
| 99801   | 99801Z  | M10 | 50 pcs |
| 99802   | 99802Z  | M12 | 50 pcs |
| 99804   | 99804Z  | M16 | 10 pcs |
| 99805   | 99805Z  | M20 | 10 pcs |
| 99806   | 99806Z  | M24 | 5 pcs  |
| 99807   | 99807Z  | M30 | 5 pcs  |
| 99808   | 99808Z  | M36 | 5 pcs  |

## 996

Gomma anti-scivolo  
Anti-slip pad / Gummiplatte

Delivery: **Easy** **Standard**



### Main features:

- High quality vulcanized anti-slip NBR rubber
- Suitable for leveling feet Basic, Articulated, Muscle and P400R series

| Art-Nr. | For base |
|---------|----------|
| 99601   | Ø40      |
| 99602   | Ø50      |
| 99603   | Ø60      |
| 99604   | Ø80      |
| 99605   | Ø100     |
| 99607   | Ø110     |
| 99606   | Ø120     |
| 99608   | Ø123     |

## CORRELATED PRODUCTS

### Support base



Page 514/515

### Threaded bushings

POLYAMIDE



Page 524/525

### Threaded bushings

AISI 304



Page 526

# 645

## Materials chemical resistance

|   |                           |                            |  |                                 |
|---|---------------------------|----------------------------|--|---------------------------------|
| <b>Materials resistance</b><br>Pag 646->648 | <b>General</b><br>Pag 649 | <b>PH-Range</b><br>Pag 649 | <b>Rubber materials</b><br>Pag 649/650 | <b>Pin materials</b><br>Pag 650 |
|---|---------------------------|----------------------------|--|---------------------------------|

## Materials for plastic chains and modular belts

|            |                            |                          |                          |
|------------|----------------------------|--------------------------|--------------------------|
| <b>POM</b> | <b>Low friction Acetal</b> | <b>Lubricated Acetal</b> | <b>Antistatic Acetal</b> |
|            | LF                         | MPX<br>Pag 652           | AS<br>Pag 655            |
|            | LFA                        | MP<br>Pag 653            |                          |
|            | LFB                        |                          |                          |
|            | LFD                        |                          |                          |
|            | LFG                        |                          |                          |
|            | LFN                        | <b>Reinforced Acetal</b> |                          |
| LFW        | DKM<br>Pag 654             |                          |                          |

|            |   |   |
|------------|---|---|
| <b>PBT</b> | <b>Performance Polybutylene terephthalate</b> | <b>Extra-Performance Polybutylene terephthalate</b> |
|            | MX<br>Pag 656                                 | PFX<br>Pag 657                                      |

|           |                      |                                 |
|-----------|----------------------|---------------------------------|
| <b>PP</b> | <b>Polypropylene</b> | <b>Reinforced Polypropylene</b> |
|           | PP                   | PPX<br>Pag 659                  |
|           | PPB                  |                                 |
|           | PPW<br>Pag 658       |                                 |

|           |                            |                            |
|-----------|----------------------------|----------------------------|
| <b>PA</b> | <b>Polyamide composite</b> | <b>Polyamide composite</b> |
|           | MWX<br>Pag 660             | PA<br>Pag 661              |

## Materials for stainless steel chains



|                        |                |
|------------------------|----------------|
| <b>Stainless steel</b> |                |
| SS<br>Pag 662          | SSE<br>Pag 663 |
| SSM<br>Pag 664         | SSA<br>Pag 665 |

## Materials for sprockets



|                  |                             |
|------------------|-----------------------------|
| <b>Polyamide</b> | <b>Reinforced Polyamide</b> |
| PA<br>Pag 666    | RPA<br>Pag 666              |

# Material chemical resistance

Resistenza chimica dei materiali / Materials chemical resistance / Chemische Beständigkeit der Materialien

LEGEND: ● Resistant | ● Conditionally Resistant | ● Not Resistant

## Material chemical resistance

| Substances  |   | PBT               | POM               | PP                | PE                                   | PA  |
|---|---|-------------------|-------------------|-------------------|--------------------------------------|---|
| at norm climate conditions<br>DIN50014, 23°C/50% r.a.h. |   | Chains<br>& Belts | Chains<br>& Belts | Chains<br>& Belts | Curves<br>Chain guides<br>Components | Sporckets<br>Components<br>Chains & Belts |
| <b>A</b>  | <b>Acetamide 50%</b>                          |                   | ●                 |                   | ●                                    | ●   |
|   | Acetic acid, aqueous solution 10%             | ●                 | ●                 | ●                 | ●                                    | ●   |
|   | Acetic acid, aqueous solution 5%              | ●                 | ●                 | ●                 | ●                                    | ●   |
|   | Acetic acid, concentrated                     | ●                 | ●                 | ●                 | ●                                    | ●   |
|   | Acetone                                       | ●                 | ●                 | ●                 | ●                                    | ●   |
|   | Ammonia, aqueous solution 10%                 | ●                 | ●                 | ●                 | ●                                    | ●   |
|   | Anone   |                   |                   | ●                 | ●                                    | ●   |
| <b>B</b>  | <b>Benzene</b>                                | ●                 | ●                 | ●                 | ●                                    | ●   |
|   | Benzine                                       | ●                 | ●                 | ●                 | ●                                    | ●   |
|   | Bitumen                                       |                   | ●                 | ●                 | ●                                    | ●   |
|   | Boric acid, aqueous solution 10%              | ●                 | ●                 | ●                 | ●                                    | ●   |
|   | Butyl acetate                                 | ●                 | ●                 | ●                 | ●                                    | ●   |
| <b>C</b>  | <b>Calcium chloride, aqueous solution 10%</b> | ●                 | ●                 | ●                 | ●                                    | ●   |
|   | Carbon tetrachloride                          | ●                 | ●                 | ●                 | ●                                    | ●   |
|   | Chlorbenzene                                  | ●                 | ●                 | ●                 | ●                                    | ●   |
|   | Chloroform                                    | ●                 | ●                 | ●                 | ●                                    | ●   |
|   | Citric acid, aqueous solution 10%             | ●                 | ●                 | ●                 | ●                                    | ●   |
|   | Cupric (II) sulphate, 10%                     |                   | ●                 | ●                 | ●                                    | ●   |
|   | Cyclohexane                                   | ●                 | ●                 | ●                 | ●                                    | ●   |
|   | Cyclohexanone                                 | ●                 | ●                 | ●                 | ●                                    | ●   |
| <b>D</b>  | <b>Diesel oil</b>                             | ●                 | ●                 | ●                 | ●                                    | ●   |
|   | Dimethyl formamide                            | ●                 | ●                 | ●                 | ●                                    | ●   |
|   | Diocetyl phthalate                            | ●                 | ●                 | ●                 | ●                                    | ●   |
|   | Dioxane                                       | ●                 | ●                 | ●                 | ●                                    | ●   |
| <b>E</b>  | <b>Edible fats, edible oils</b>               | ●                 | ●                 | ●                 | ●                                    | ●   |
|   | Ethanol 96%                                   | ●                 | ●                 | ●                 | ●                                    | ●   |
|   | Ethyl ether                                   | ●                 | ●                 | ●                 | ●                                    | ●   |
|   | Ethylacetate                                  | ●                 | ●                 | ●                 | ●                                    | ●   |
|   | Ethylene chloride                             | ●                 | ●                 | ●                 | ●                                    | ●   |
| <b>F</b>  | <b>Formaldehyde, aqueous solution 30%</b>     |                   | ●                 | ●                 | ●                                    | ●   |
|   | Formamide                                     | ●                 | ●                 |                   | ●                                    | ●   |
|   | Formic acid, aqueous solution 10%             | ●                 | ●                 | ●                 | ●                                    | ●   |
|   | Freon, frigen, liquid                         | ●                 |                   | ●                 | ●                                    | ●   |
|   | Fruit juices                                  | ●                 | ●                 | ●                 | ●                                    | ●   |

Continue >>

**Movex**

# Material chemical resistance

Resistenza chimica dei materiali / Materials chemical resistance / Chemische Beständigkeit der Materialien

LEGEND: ● Resistant | ● Conditionally Resistant | ● Not Resistant

| Substances  | PBT               | POM               | PP                | PE                                   | PA  |
|---|-------------------|-------------------|-------------------|--------------------------------------|---|
| at norm climate conditions<br>DIN50014, 23°C/50% r.a.h. | Chains<br>& Belts | Chains<br>& Belts | Chains<br>& Belts | Curves<br>Chain guides<br>Components | Sprockets<br>Components<br>Chains & Belts |
| Fuel oil  | ●                 | ●                 | ●                 | ●                                    | ●   |
| <b>G</b> Glycerine                                      | ●                 | ●                 | ●                 | ●                                    | ●   |
| Glycol  | ●                 | ●                 | ●                 | ●                                    | ●   |
| Glycantine, aqueous solution 40%                        | ●                 | ●                 | ●                 | ●                                    | ●   |
| <b>H</b> Heptane, hexane                                | ●                 | ●                 | ●                 | ●                                    | ●   |
| Hydrochloric acid, aqueous solution 2%                  | ●                 | ●                 | ●                 | ●                                    | ●   |
| Hydrochloric acid, aqueous solution 36%                 | ●                 | ●                 | ●                 | ●                                    | ●   |
| Hydrofluoric acid, 40%                                  | ●                 | ●                 | ●                 | ●                                    | ●   |
| Hydrogen peroxide, aqueous solution 0.5%                | ●                 | ●                 | ●                 | ●                                    | ●   |
| Hydrogen peroxide, aqueous solution 30%                 | ●                 | ●                 | ●                 | ●                                    | ●   |
| Hydrogen sulphide                                       | ●                 | ●                 | ●                 | ●                                    | ●   |
| Hydrogen sulphide, aqueous solution                     | ●                 | ●                 | ●                 | ●                                    | ●   |
| <b>I</b> Iodine solution, alcohol solution              |                   |                   | ●                 | ●                                    | ●   |
| Iso-octane  |                   |                   | ●                 | ●                                    | ●   |
| Isopropanol   | ●                 | ●                 | ●                 | ●                                    | ●   |
| <b>L</b> Lactic acid, aqueous solution 10%              | ●                 | ●                 | ●                 | ●                                    | ●   |
| Lactic acid, aqueous solution 90%                       |                   | ●                 | ●                 | ●                                    | ●   |
| Linseed oil   | ●                 | ●                 | ●                 | ●                                    | ●   |
| <b>M</b> Methanol                                       | ●                 | ●                 | ●                 | ●                                    | ●   |
| Methyl ethyl ketone                                     | ●                 | ●                 | ●                 | ●                                    | ●   |
| Methylene chloride                                      | ●                 | ●                 | ●                 | ●                                    | ●   |
| Milk  | ●                 | ●                 | ●                 | ●                                    | ●   |
| <b>N</b> Nitric acid, aqueous solution 2%               | ●                 | ●                 | ●                 | ●                                    | ●   |
| Nitrobenzene  | ●                 | ●                 | ●                 | ●                                    | ●   |
| <b>O</b> Oxalic acid, aqueous solution 10%              | ●                 | ●                 | ●                 | ●                                    | ●   |
| Ozone   | ●                 | ●                 |                   | ●                                    | ●   |
| <b>P</b> Paraffin oil                                   | ●                 | ●                 | ●                 | ●                                    | ●   |
| Perchlorethylene  | ●                 | ●                 | ●                 | ●                                    | ●   |
| Petroleum   | ●                 | ●                 | ●                 | ●                                    | ●   |
| Phenol, aqueous solution                                | ●                 | ●                 | ●                 | ●                                    | ●   |
| Phosphoric acid, aqueous solution 10%                   | ●                 | ●                 | ●                 | ●                                    | ●   |
| Phosphoric acid, concentrated                           | ●                 |                   | ●                 | ●                                    | ●   |
| Potassium dichromate, aqueous solution 10%              | ●                 | ●                 | ●                 | ●                                    | ●   |
| Potassium lye, aqueous solution 10%                     | ●                 | ●                 | ●                 | ●                                    | ●   |
| Potassium lye, aqueous solution 50%                     | ●                 | ●                 | ●                 | ●                                    | ●   |

Continue >>

# Material chemical resistance

Resistenza chimica dei materiali / Materials chemical resistance / Chemische Beständigkeit der Materialien

LEGEND: ● Resistant | ● Conditionally Resistant | ● Not Resistant

| Substances  | PBT               | POM               | PP                | PE                                   | PA  |
|---|-------------------|-------------------|-------------------|--------------------------------------|---|
| at norm climate conditions<br>DIN50014, 23°C/50% r.a.h. | Chains<br>& Belts | Chains<br>& Belts | Chains<br>& Belts | Curves<br>Chain guides<br>Components | Sporckets<br>Components<br>Chains & Belts |
| Potassium permanganate, aqueous solution 1%             | ●                 | ●                 | ●                 | ●                                    | ●   |
| Propanol  | ●                 | ●                 | ●                 | ●                                    | ●   |
| Pyridine  |                   | ●                 | ●                 | ●                                    | ●   |
| <b>S</b> Salicylic acid                                 | ●                 |                   |                   | ●                                    | ●   |
| Silicon oils  | ●                 | ●                 | ●                 | ●                                    | ●   |
| Soap solution, aqueous solution                         | ●                 | ●                 | ●                 | ●                                    | ●   |
| Soda lye, aqueous solution 5%                           | ●                 | ●                 | ●                 | ●                                    | ●   |
| Soda lye, aqueous solution 50%                          | ●                 | ●                 | ●                 | ●                                    | ●   |
| Soda solution, aqueous solution 10%                     | ●                 |                   | ●                 | ●                                    | ●   |
| Sodium bisulphite, aqueous solution 10%                 | ●                 | ●                 | ●                 | ●                                    | ●   |
| Sodium carbonate, aqueous solution 10%                  | ●                 | ●                 | ●                 | ●                                    | ●   |
| Sodium chloride, aqueous solution 10%                   | ●                 | ●                 | ●                 | ●                                    | ●   |
| Sodium nitrate, aqueous solution 10%                    | ●                 | ●                 | ●                 | ●                                    | ●   |
| Sodium thiosulphate, aqueous solution 10%               | ●                 | ●                 | ●                 | ●                                    | ●   |
| Styrene   | ●                 | ●                 | ●                 | ●                                    | ●   |
| Sulphuric acid, aqueous solution 2%                     | ●                 | ●                 | ●                 | ●                                    | ●   |
| Sulphuric acid, concentrated 98%                        | ●                 | ●                 | ●                 | ●                                    | ●   |
| <b>T</b> Tar  | ●                 | ●                 | ●                 |                                      | ●   |
| Tartaric acid   | ●                 | ●                 | ●                 | ●                                    | ●   |
| Tetrahydrofurane  | ●                 | ●                 | ●                 | ●                                    | ●   |
| Tetralin  | ●                 | ●                 |                   | ●                                    | ●   |
| Toluene   | ●                 | ●                 | ●                 | ●                                    | ●   |
| Transformer oil   | ●                 | ●                 | ●                 | ●                                    | ●   |
| Trichlorethylene  | ●                 | ●                 | ●                 | ●                                    | ●   |
| Triethanolamine   | ●                 | ●                 | ●                 | ●                                    | ●   |
| <b>U</b> Urea, aqueous solution                         | ●                 | ●                 | ●                 | ●                                    | ●   |
| <b>V</b> Vaseline                                       | ●                 | ●                 | ●                 | ●                                    | ●   |
| <b>W</b> Water, cold                                    | ●                 | ●                 | ●                 | ●                                    | ●   |
| Water, warm   | ●                 | ●                 | ●                 | ●                                    | ●   |
| Wax, molten   | ●                 | ●                 | ●                 | ●                                    | ●   |
| Wine, brandy  | ●                 | ●                 | ●                 | ●                                    | ●   |
| <b>X</b> Xylene   | ●                 | ●                 | ●                 | ●                                    | ●   |
| <b>Z</b> Zinc chloride, aqueous solution 10%            | ●                 | ●                 | ●                 | ●                                    | ●   |



## General

LEGEND: ● Resistant | ● Conditionally Resistant | ● Not Resistant

| Test condition  | PBT            | POM            | PP             | PE                                   | PA  |
|---|----------------|----------------|----------------|--------------------------------------|---|
| at norm climate conditions<br>DIN50014, 23°C/50% r.a.h. | Chains & Belts | Chains & Belts | Chains & Belts | Curves<br>Chain guides<br>Components | Sprockets<br>Components<br>Chains & Belts |
| Acids, weak   | ●              | ●              | ●              | ●                                    | ●   |
| Acids, strong   | ●              | ●              | ●              | ●                                    | ●   |
| Alkalines, weak   | ●              | ●              | ●              | ●                                    | ●   |
| Alkalines, strong                                       | ●              | ●              | ●              | ●                                    | ●   |
| Solvents, alcohol                                       | ●              | ●              | ●              | ●                                    | ●   |
| Solvents, ester   | ●              | ●              | ●              | ●                                    | ●   |
| Solvents, ether   | ●              | ●              | ●              | ●                                    | ●   |
| Solvents, Ketone  | ●              | ●              | ●              | ●                                    | ●   |
| Water, cold   | ●              | ●              | ●              | ●                                    | ●   |
| Water, hot  | ●              | ●              | ●              | ●                                    | ●   |

## PH-Range

| General pH-limits at 23°C | PBT | POM | PP   | PE   | PA |
|---------------------------|-----|-----|------|------|----|
| Lower limit               | 2   | 4   | 1    | 1    | 4  |
| Upper limit               | 9   | 13  | 13,5 | 13,5 | 12 |

## Rubber materials

LEGEND: ● Very good | ● Good | ● Worse

| Test condition                  | NBR                       | EPDM-PP        | TPR            | TPE                       |
|---------------------------------|---------------------------|----------------|----------------|---------------------------|
| at 23°C                         | GT stainless steel chains | Gripper chains | Gripper chains | GT plastic chains & belts |
| <b>Mechanical resistance</b>    |                           |                |                |                           |
| Wear resistance                 | ●                         | ●              | ●              | ●                         |
| Tear resistance                 | ●                         | ●              | ●              | ●                         |
| <b>Chemical resistance</b>      |                           |                |                |                           |
| Against acids                   | ●                         | ●              | ●              | ●                         |
| Against alkalines               | ●                         | ●              | ●              | ●                         |
| Against oils                    | ●                         | ●              | ●              | ●                         |
| Against solvents                | ●                         | ●              | ●              | ●                         |
| <b>Application temperatures</b> |                           |                |                |                           |
| °C -                            | -30                       | -40            | -50            | -50                       |
| °C +                            | 100                       | 130            | 120            | 120                       |

## Rubber materials

LEGEND: ● Very good | ● Good | ● Satisfactory

| Test condition                         | UHMWPE                     | <i>BluLub</i>                 | C                          |
|--|----------------------------|-------------------------------|----------------------------|
| at 23°C                                | Extremely high mol. weight | UHMWPE w/built in lubrication | UHMWPE w/ceramic additives |
| <b>Mechanical resistance</b>           |                            |                               |                            |
| Wear resistance against steel chains   | ●                          | ●                             | ●                          |
| Wear resistance against plastic chains | ●                          | ●                             |                            |
| <b>Chemical resistance</b>             |                            |                               |                            |
| Against acids                          | ●                          | ●                             | ●                          |
| Against alkalines                      | ●                          | ●                             | ●                          |
| Against oils                           | ●                          | ●                             | ●                          |
| Against solvents                       | ●                          | ●                             | ●                          |
| <b>Application temperatures</b>        |                            |                               |                            |
| °C -                                   | -40                        | -40                           | -40                        |
| °C + (shortly)                         | 80 (100)                   | 50 (80)                       | 80 (100)                   |

## Pin materials

| General pH-limits at 23°C | PBT | POM | PP   | PE   | PA |
|---------------------------|-----|-----|------|------|----|
| Lower limit               | 2   | 4   | 1    | 1    | 4  |
| Upper limit               | 9   | 13  | 13,5 | 13,5 | 12 |

| Stainless steel | Pin                      | Remarks  |
|-----------------|--------------------------|----------|
| SSM             | DIN-EN 1.4057 / AISI 431 | Hardened |
| SSE             | DIN-EN 1.4057 / AISI 431 | Hardened |
| SS              | DIN-EN 1.4057 / AISI 431 |          |
| SSA             | DIN-EN 1.4301 / AISI 304 |          |

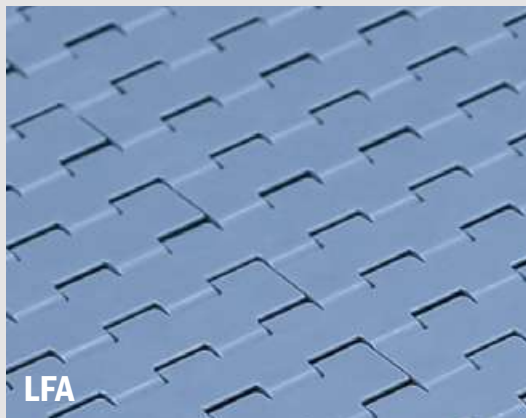
| Plastic chains | Pin  | Remarks  |
|----------------|--|--|
| All materials  | Ferritic Stainless steel<br>(Suitable for magnetic system<br>DIN-EN 1.4016 - AISI 430) | 820, 880 TAB<br>(also available with plastic pin POM reinforced) |

| Plastic belts | Pin | Remarks                |
|---------------|-----|------------------------|
| LFA           | PBT | White                  |
| MPX           | PBT | White                  |
| DKM           | PBT | White                  |
| MWX           | PBT | White                  |
| MX/PFX        | POM | Grey                   |
| PP            | PP  | Blue (500 RR: PP grey) |

## LF-LFA-LFB-LFD-LFG-LFN-LFW



LF



LFA

Also available:

LFB

LFD

LFG

LFN

LFW

### Description

**Low friction Acetal Resin.**

*This material can be used in all common applications.*

**Primary Components:** POM

### General information

| Material            | Chemical abbreviation | Allowable application temperatures |     |     |         |     |     | FDA Approval |
|---------------------|-----------------------|------------------------------------|-----|-----|---------|-----|-----|--------------|
|                     |                       | Fahrenheit                         |     |     | Celsius |     |     |              |
|                     |                       | Min                                | Max |     | Min     | Max |     |              |
|                     |                       |                                    | Dry | Wet |         | Dry | Wet |              |
| Low friction acetal | POM                   | -40                                | 176 | 149 | -40     | 80  | 65  | YES          |

### Friction Factors Between Material and Product

| Lubrication    | Product Material |               |           |                |                    |             |
|----------------|------------------|---------------|-----------|----------------|--------------------|-------------|
|                | Paper & carton   | Metal (steel) | Aluminium | Plastics & PET | Glass (returnable) | Glass (new) |
| Dry            | 0,28             | 0,25          | 0,25      | 0,21           | 0,24               | 0,20        |
| Water          | n.a.             | 0,20          | 0,18      | 0,16           | 0,18               | 0,15        |
| W&s & Dry lube | n.a.             | 0,15          | 0,14      | 0,13           | 0,14               | 0,12        |
| Oil            | n.a.             | 0,10          | n.a.      | n.a.           | n.a.               | n.a.        |

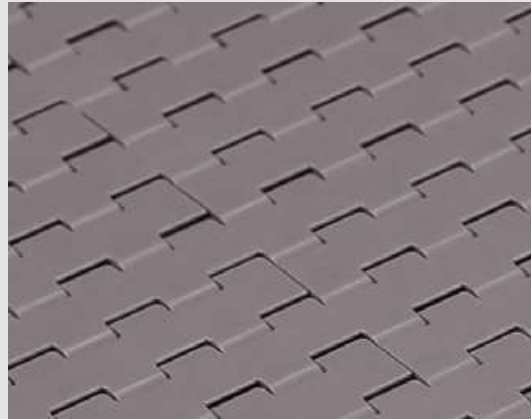
### Friction Factors Between Material and Product

| Lubrication    | Wearstrip Material |              |         |
|----------------|--------------------|--------------|---------|
|                | Stainless steel    | UHMW-PE & PA | BluLub® |
| Dry            | 0,24               | 0,20         | 0,18    |
| Water          | 0,19               | 0,16         | 0,14    |
| W&s & Dry lube | 0,15               | 0,10         | 0,10    |
| Oil            | 0,10               | 0,10         | 0,10    |

#### Note

Material properties and performance of final product are subject to variation according to operating conditions, e.g. environmental conditions, chemicals, cleanliness.

## MPX



Materials

### Description

**High performance Material with a low coefficient of friction.**

*This material can increase wear life 25% over LF material.*

**Primary Components:** POM

### General information

| Material          | Chemical abbreviation | Allowable application temperatures |     |     |         |     |     | FDA Approval |
|-------------------|-----------------------|------------------------------------|-----|-----|---------|-----|-----|--------------|
|                   |                       | Fahrenheit                         |     |     | Celsius |     |     |              |
|                   |                       | Min                                | Max |     | Min     | Max |     |              |
|                   |                       |                                    | Dry | Wet |         | Dry | Wet |              |
| Lucricated Acetal | POM                   | -40                                | 176 | 149 | -40     | 80  | 65  | YES          |

### Friction Factors Between Material and Product

| Lubrication    | Product Material |               |           |                |                    |             |
|----------------|------------------|---------------|-----------|----------------|--------------------|-------------|
|                | Paper & carton   | Metal (steel) | Aluminium | Plastics & PET | Glass (returnable) | Glass (new) |
| Dry            | 0,24             | 0,22          | 0,21      | 0,19           | 0,21               | 0,16        |
| Water          | n.a.             | 0,19          | 0,17      | 0,15           | 0,17               | 0,14        |
| W&s & Dry lube | n.a.             | 0,15          | 0,14      | 0,13           | 0,13               | 0,12        |
| Oil            | n.a.             | 0,10          | n.a.      | n.a.           | n.a.               | n.a.        |

### Friction Factors Between Material and Product

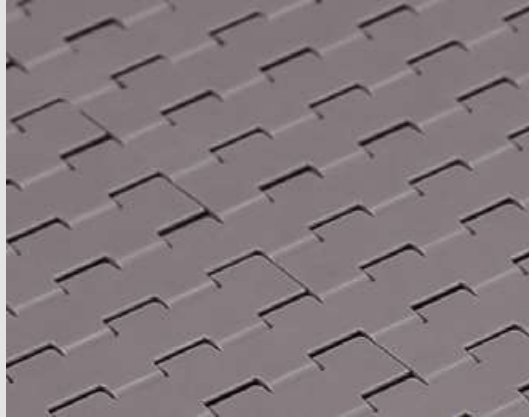
| Lubrication    | Wearstrip Material |              |                 |
|----------------|--------------------|--------------|-----------------|
|                | Stainless steel    | UHMW-PE & PA | <i>BluLub</i> ® |
| Dry            | 0,23               | 0,19         | 0,17            |
| Water          | 0,19               | 0,15         | 0,14            |
| W&s & Dry lube | 0,15               | 0,10         | 0,10            |
| Oil            | 0,10               | 0,10         | 0,10            |

#### Note

Material properties and performance of final product are subject to variation according to operating conditions, e.g. environmental conditions, chemicals, cleanliness.

# MP

Materials



## Description

**High performance Material with a low coefficient of friction.**

*This material can increase wear life 25% over LF material.*

**Primary Components:** POM

## General information

| Material          | Chemical abbreviation | Allowable application temperatures |     |     |         |     |     | FDA Approval |
|-------------------|-----------------------|------------------------------------|-----|-----|---------|-----|-----|--------------|
|                   |                       | Fahrenheit                         |     |     | Celsius |     |     |              |
|                   |                       | Min                                | Max |     | Min     | Max |     |              |
|                   |                       |                                    | Dry | Wet |         | Dry | Wet |              |
| Lucricated Acetal | POM                   | -40                                | 176 | 149 | -40     | 80  | 65  | YES          |

## Friction Factors Between Material and Product

| Lubrication    | Product Material |               |           |                |                    |             |
|----------------|------------------|---------------|-----------|----------------|--------------------|-------------|
|                | Paper & carton   | Metal (steel) | Aluminium | Plastics & PET | Glass (returnable) | Glass (new) |
| Dry            | 0,24             | 0,22          | 0,21      | 0,19           | 0,21               | 0,16        |
| Water          | n.a.             | 0,19          | 0,17      | 0,15           | 0,17               | 0,14        |
| W&s & Dry lube | n.a.             | 0,15          | 0,14      | 0,13           | 0,13               | 0,12        |
| Oil            | n.a.             | 0,10          | n.a.      | n.a.           | n.a.               | n.a.        |

## Friction Factors Between Material and Product

| Lubrication    | Wearstrip Material |              |                 |
|----------------|--------------------|--------------|-----------------|
|                | Stainless steel    | UHMW-PE & PA | <i>BluLub</i> ® |
| Dry            | 0,23               | 0,19         | 0,17            |
| Water          | 0,19               | 0,15         | 0,14            |
| W&s & Dry lube | 0,15               | 0,10         | 0,10            |
| Oil            | 0,10               | 0,10         | 0,10            |

### Note

Material properties and performance of final product are subject to variation according to operating conditions, e.g. environmental conditions, chemicals, cleanliness.

## DKM



Materials

### Description

**Aramide reinforced acetal material**

*It's commonly used in dry running glass handling applications.*

**Primary Component:** POM

### General information

| Material                  | Chemical abbreviation | Allowable application temperatures |     |     |         |     |     | FDA Approval |
|---------------------------|-----------------------|------------------------------------|-----|-----|---------|-----|-----|--------------|
|                           |                       | Fahrenheit                         |     |     | Celsius |     |     |              |
|                           |                       | Min                                | Max |     | Min     | Max |     |              |
|                           |                       |                                    | Dry | Wet |         | Dry | Wet |              |
| Aramide reinforced acetal | POM                   | -40                                | 176 | 149 | -40     | 80  | 65  | -            |

### Friction Factors Between Material and Product

| Lubrication    | Product Material |               |           |                |                    |             |
|----------------|------------------|---------------|-----------|----------------|--------------------|-------------|
|                | Paper & carton   | Metal (steel) | Aluminium | Plastics & PET | Glass (returnable) | Glass (new) |
| Dry            | 0,21             | 0,19          | 0,16      | 0,20           | 0,15               | 0,13        |
| Water          | n.a.             | 0,17          | 0,15      | 0,15           | 0,14               | 0,13        |
| W&s & Dry lube | n.a.             | 0,14          | 0,13      | 0,13           | 0,12               | 0,11        |
| Oil            | n.a.             | 0,10          | n.a.      | n.a.           | n.a.               | n.a.        |

### Friction Factors Between Material and Product

| Lubrication    | Wearstrip Material |              |                |
|----------------|--------------------|--------------|----------------|
|                | Stainless steel    | UHMW-PE & PA | <b>BluLub®</b> |
| Dry            | 0,21               | 0,19         | 0,17           |
| Water          | 0,18               | 0,15         | 0,14           |
| W&s & Dry lube | 0,15               | 0,11         | 0,11           |
| Oil            | 0,10               | 0,10         | 0,10           |

#### Note

Material properties and performance of final product are subject to variation according to operating conditions, e.g. environmental conditions, chemicals, cleanliness.

## AS



Materials

**Description****AS material**

eliminates the static accumulation that can happen during conveying products.

**Primary Components:** POM

**General information**

| Material          | Chemical abbreviation | Allowable application temperatures |     |      |         |     |      | FDA Approval |
|-------------------|-----------------------|------------------------------------|-----|------|---------|-----|------|--------------|
|                   |                       | Fahrenheit                         |     |      | Celsius |     |      |              |
|                   |                       | Min                                | Max |      | Min     | Max |      |              |
|                   |                       |                                    | Dry | Wet  |         | Dry | Wet  |              |
| Antistatic Acetal | POM                   | -4                                 | 180 | N.R. | -18     | 82  | N.R. | YES          |

**Friction Factors Between Material and Product**

| Lubrication    | Product Material |               |           |                |                    |             |
|----------------|------------------|---------------|-----------|----------------|--------------------|-------------|
|                | Paper & carton   | Metal (steel) | Aluminium | Plastics & PET | Glass (returnable) | Glass (new) |
| Dry            | 0,35             | 0,28          | 0,29      | 0,25           | 0,27               | 0,24        |
| Water          | n.a.             | n.a.          | n.a.      | n.a.           | n.a.               | n.a.        |
| W&s & Dry lube | n.a.             | n.a.          | n.a.      | n.a.           | n.a.               | n.a.        |
| Oil            | n.a.             | n.a.          | n.a.      | n.a.           | n.a.               | n.a.        |

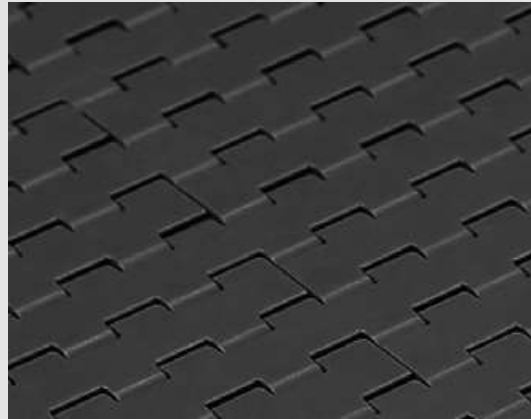
**Friction Factors Between Material and Product**

| Lubrication    | Wearstrip Material |              |                 |
|----------------|--------------------|--------------|-----------------|
|                | Stainless steel    | UHMW-PE & PA | <i>BluLub</i> ® |
| Dry            | 0,27               | 0,22         | 0,20            |
| Water          | n.a.               | n.a.         | n.a.            |
| W&s & Dry lube | n.a.               | n.a.         | n.a.            |
| Oil            | n.a.               | n.a.         | n.a.            |

**Note**

Material properties and performance of final product are subject to variation according to operating conditions, e.g. environmental conditions, chemicals, cleanliness.

## MX



Materials

### Description

**Extra Performance material (PBT with additives)** with a very low coefficient of friction and improved wear resistance. Recommended for high speed and dry running applications.

**Primary Components:** PBT

### General information

| Material        | Chemical abbreviation | Allowable application temperatures |     |     |         |     |     | FDA Approval |
|-----------------|-----------------------|------------------------------------|-----|-----|---------|-----|-----|--------------|
|                 |                       | Fahrenheit                         |     |     | Celsius |     |     |              |
|                 |                       | Min                                | Max |     | Min     | Max |     |              |
|                 |                       |                                    | Dry | Wet |         | Dry | Wet |              |
| Performance PBT | PBT                   | -40                                | 248 | 140 | -40     | 120 | 60  | YES          |

### Friction Factors Between Material and Product

| Lubrication    | Product Material |               |           |                |                    |             |
|----------------|------------------|---------------|-----------|----------------|--------------------|-------------|
|                | Paper & carton   | Metal (steel) | Aluminium | Plastics & PET | Glass (returnable) | Glass (new) |
| Dry            | 0,20             | 0,18          | 0,15      | 0,13           | 0,14               | 0,12        |
| Water          | n.a.             | 0,16          | 0,14      | 0,12           | 0,13               | 0,12        |
| W&s & Dry lube | n.a.             | 0,13          | 0,12      | 0,10           | 0,11               | 0,10        |
| Oil            | n.a.             | 0,10          | n.a.      | n.a.           | n.a.               | n.a.        |

### Friction Factors Between Material and Product

| Lubrication    | Wearstrip Material |              |                 |
|----------------|--------------------|--------------|-----------------|
|                | Stainless steel    | UHMW-PE & PA | <i>BluLub</i> ® |
| Dry            | 0,20               | 0,16         | 0,13            |
| Water          | 0,17               | 0,11         | 0,09            |
| W&s & Dry lube | 0,14               | 0,09         | 0,08            |
| Oil            | 0,10               | 0,10         | 0,10            |

#### Note

Material properties and performance of final product are subject to variation according to operating conditions, e.g. environmental conditions, chemicals, cleanliness.



# PFX

Materials



## Description

**Extra Performance material (PBT with additives)** with a very low coefficient of friction and improved wear resistance. Recommended for high speed and dry running applications.

**Primary Components:** PBT

## General information

| Material              | Chemical abbreviation | Allowable application temperatures |     |     |         |     |     | FDA Approval |
|-----------------------|-----------------------|------------------------------------|-----|-----|---------|-----|-----|--------------|
|                       |                       | Fahrenheit                         |     |     | Celsius |     |     |              |
|                       |                       | Min                                | Max |     | Min     | Max |     |              |
|                       |                       |                                    | Dry | Wet |         | Dry | Wet |              |
| Extra performance PBT | PBT                   | -40                                | 248 | 140 | -40     | 120 | 60  | YES          |

## Friction Factors Between Material and Product

| Lubrication    | Product Material |               |           |                |                    |             |
|----------------|------------------|---------------|-----------|----------------|--------------------|-------------|
|                | Paper & carton   | Metal (steel) | Aluminium | Plastics & PET | Glass (returnable) | Glass (new) |
| Dry            | 0,18             | 0,16          | 0,14      | 0,10           | 0,11               | 0,10        |
| Water          | n.a.             | 0,14          | 0,13      | 0,11           | 0,12               | 0,11        |
| W&s & Dry lube | n.a.             | 0,12          | 0,11      | 0,09           | 0,10               | 0,09        |
| Oil            | n.a.             | 0,09          | n.a.      | n.a.           | n.a.               | n.a.        |

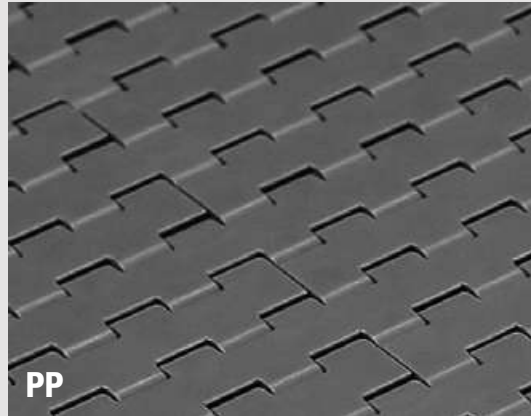
## Friction Factors Between Material and Product

| Lubrication    | Wearstrip Material |              |         |
|----------------|--------------------|--------------|---------|
|                | Stainless steel    | UHMW-PE & PA | BluLub® |
| Dry            | 0,18               | 0,16         | 0,12    |
| Water          | 0,15               | 0,10         | 0,08    |
| W&s & Dry lube | 0,13               | 0,08         | 0,07    |
| Oil            | 0,09               | 0,09         | 0,09    |

### Note

Material properties and performance of final product are subject to variation according to operating conditions, e.g. environmental conditions, chemicals, cleanliness.

## PP-PPB-PPW



Also available:

**PPB**

**PPW**

### Description

**Polypropylene**

for better chemical resistance and higher temperatures.

**Primary Component:** PP

### General information

| Material      | Chemical abbreviation | Allowable application temperatures |     |     |         |     |     | FDA Approval |
|---------------|-----------------------|------------------------------------|-----|-----|---------|-----|-----|--------------|
|               |                       | Fahrenheit                         |     |     | Celsius |     |     |              |
|               |                       | Min                                | Max |     | Min     | Max |     |              |
|               |                       |                                    | Dry | Wet |         | Dry | Wet |              |
| Polypropylene | PP                    | 40                                 | 220 | 220 | 4       | 104 | 104 | YES          |

### Friction Factors Between Material and Product

| Lubrication    | Product Material |               |           |                |                    |             |
|----------------|------------------|---------------|-----------|----------------|--------------------|-------------|
|                | Paper & carton   | Metal (steel) | Aluminium | Plastics & PET | Glass (returnable) | Glass (new) |
| Dry            | 0,40             | 0,30          | 0,32      | 0,28           | 0,29               | 0,26        |
| Water          | n.a.             | 0,24          | 0,26      | 0,22           | 0,23               | 0,21        |
| W&s & Dry lube | n.a.             | 0,20          | 0,20      | 0,18           | 0,19               | 0,18        |
| Oil            | n.a.             | 0,10          | n.a.      | n.a.           | n.a.               | n.a.        |

### Friction Factors Between Material and Product

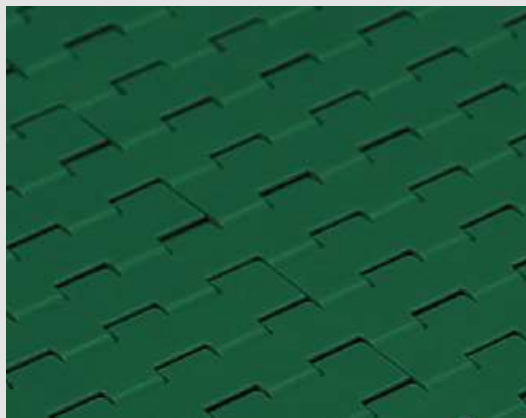
| Lubrication    | Wearstrip Material |              |                 |
|----------------|--------------------|--------------|-----------------|
|                | Stainless steel    | UHMW-PE & PA | <i>BluLub</i> ® |
| Dry            | 0,29               | 0,24         | 0,21            |
| Water          | 0,23               | 0,19         | 0,17            |
| W&s & Dry lube | 0,19               | 0,13         | 0,13            |
| Oil            | 0,10               | 0,10         | 0,10            |

#### Note

Material properties and performance of final product are subject to variation according to operating conditions, e.g. environmental conditions, chemicals, cleanliness.

# PPX

Materials



## Description

**Reinforced Polypropylene**

for improved heat stability and chemical resistance.

**Primary Component:** PP

## General information

| Material                 | Chemical abbreviation | Allowable application temperatures |     |     |         |     |     | FDA Approval |
|--------------------------|-----------------------|------------------------------------|-----|-----|---------|-----|-----|--------------|
|                          |                       | Fahrenheit                         |     |     | Celsius |     |     |              |
|                          |                       | Min                                | Max |     | Min     | Max |     |              |
|                          |                       |                                    | Dry | Wet |         | Dry | Wet |              |
| Reinforced Polypropylene | PP                    | 40                                 | 220 | 220 | 4       | 104 | 104 | YES          |

## Friction Factors Between Material and Product

| Lubrication    | Product Material |               |           |                |                    |             |
|----------------|------------------|---------------|-----------|----------------|--------------------|-------------|
|                | Paper & carton   | Metal (steel) | Aluminium | Plastics & PET | Glass (returnable) | Glass (new) |
| Dry            | 0,40             | 0,30          | 0,32      | 0,28           | 0,29               | 0,26        |
| Water          | n.a.             | 0,24          | 0,26      | 0,22           | 0,23               | 0,21        |
| W&s & Dry lube | n.a.             | 0,20          | 0,20      | 0,18           | 0,19               | 0,18        |
| Oil            | n.a.             | 0,10          | n.a.      | n.a.           | n.a.               | n.a.        |

## Friction Factors Between Material and Product

| Lubrication    | Wearstrip Material |              |         |
|----------------|--------------------|--------------|---------|
|                | Stainless steel    | UHMW-PE & PA | BluLub® |
| Dry            | 0,29               | 0,24         | 0,21    |
| Water          | 0,23               | 0,19         | 0,17    |
| W&s & Dry lube | 0,19               | 0,13         | 0,13    |
| Oil            | 0,10               | 0,10         | 0,10    |

### Note

Material properties and performance of final product are subject to variation according to operating conditions, e.g. environmental conditions, chemicals, cleanliness.

## MWX



Materials

### Description

**MWX increases wear life**

Used in applications where chain is subject to abrasives conditions such as glass sand and dirt.

**Primary Component:** Nylon (PA)

### General information

| Material           | Chemical abbreviation | Allowable application temperatures |     |      |         |     |      | FDA Approval |
|--------------------|-----------------------|------------------------------------|-----|------|---------|-----|------|--------------|
|                    |                       | Fahrenheit                         |     |      | Celsius |     |      |              |
|                    |                       | Min                                | Max |      | Min     | Max |      |              |
|                    |                       |                                    | Dry | Wet  |         | Dry | Wet  |              |
| Polyamid Composite | PA                    | -40                                | 219 | N.R. | -40     | 104 | N.R. | -            |

### Friction Factors Between Material and Product

| Lubrication    | Product Material |               |           |                |                    |             |
|----------------|------------------|---------------|-----------|----------------|--------------------|-------------|
|                | Paper & carton   | Metal (steel) | Aluminium | Plastics & PET | Glass (returnable) | Glass (new) |
| Dry            | 0,24             | 0,21          | 0,18      | 0,15           | 0,17               | 0,14        |
| Water          | n.a.             | 0,19          | 0,17      | 0,14           | 0,15               | 0,14        |
| W&s & Dry lube | n.a.             | 0,15          | 0,14      | 0,12           | 0,13               | 0,12        |
| Oil            | n.a.             | 0,10          | n.a.      | n.a.           | n.a.               | n.a.        |

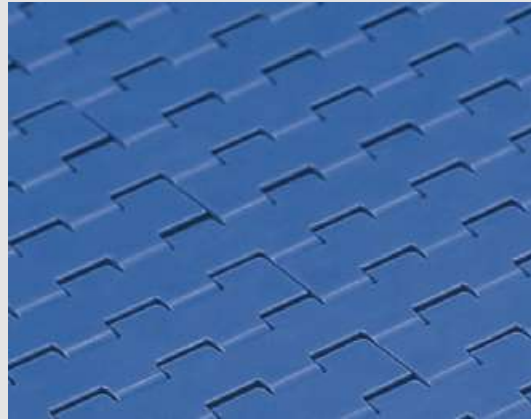
### Friction Factors Between Material and Product

| Lubrication    | Wearstrip Material |              |                 |
|----------------|--------------------|--------------|-----------------|
|                | Stainless steel    | UHMW-PE & PA | <i>BluLub</i> ® |
| Dry            | 0,24               | 0,19         | 0,15            |
| Water          | 0,20               | 0,13         | 0,11            |
| W&s & Dry lube | 0,17               | 0,11         | 0,09            |
| Oil            | 0,10               | 0,10         | 0,10            |

#### Note

Material properties and performance of final product are subject to variation according to operating conditions, e.g. environmental conditions, chemicals, cleanliness.

## PA



Materials

**Description****PA Polyamide composite**

The high crystallinity of this material gives it excellent mechanical properties such as high abrasion, high wear resistance as well as good hardness and stiffness.

**Primary Components:** Nylon

**General information**

| Material           | Chemical abbreviation | Allowable application temperatures |     |      |         |     |      | FDA Approval |
|--------------------|-----------------------|------------------------------------|-----|------|---------|-----|------|--------------|
|                    |                       | Fahrenheit                         |     |      | Celsius |     |      |              |
|                    |                       | Min                                | Max |      | Min     | Max |      |              |
|                    |                       |                                    | Dry | Wet  |         | Dry | Wet  |              |
| Polyamid Composite | PA                    | -40                                | 219 | N.R. | -40     | 104 | N.R. | -            |

**Friction Factors Between Material and Product**

| Lubrication    | Product Material |               |           |                |                    |             |
|----------------|------------------|---------------|-----------|----------------|--------------------|-------------|
|                | Paper & carton   | Metal (steel) | Aluminium | Plastics & PET | Glass (returnable) | Glass (new) |
| Dry            | 0,24             | 0,21          | 0,18      | 0,15           | 0,17               | 0,14        |
| Water          | n.a.             | 0,19          | 0,17      | 0,14           | 0,15               | 0,14        |
| W&s & Dry lube | n.a.             | 0,15          | 0,14      | 0,12           | 0,13               | 0,12        |
| Oil            | n.a.             | 0,10          | n.a.      | n.a.           | n.a.               | n.a.        |

**Friction Factors Between Material and Product**

| Lubrication    | Wearstrip Material |              |                 |
|----------------|--------------------|--------------|-----------------|
|                | Stainless steel    | UHMW-PE & PA | <i>BluLub</i> ® |
| Dry            | 0,24               | 0,19         | 0,15            |
| Water          | 0,20               | 0,13         | 0,11            |
| W&s & Dry lube | 0,17               | 0,11         | 0,09            |
| Oil            | 0,10               | 0,10         | 0,10            |

**Note**

Material properties and performance of final product are subject to variation according to operating conditions, e.g. environmental conditions, chemicals, cleanliness.

SS



### Description

**Ferritic Stainless Steel (1.4016)**  
for standard applications.

Materials

### General information

| Material                 | Chemical abbreviation | Allowable application temperatures |     |     |         |     |     | FDA Approval |
|--------------------------|-----------------------|------------------------------------|-----|-----|---------|-----|-----|--------------|
|                          |                       | Fahrenheit                         |     |     | Celsius |     |     |              |
|                          |                       | Min                                | Max |     | Min     | Max |     |              |
|                          |                       |                                    | Dry | Wet |         | Dry | Wet |              |
| Standard Stainless Steel | 1.4016                | -22                                | 750 | 265 | -30     | 400 | 130 | -            |

### Friction Factors Between Material and Product

| Lubrication    | Product Material |               |           |                |                    |             |
|----------------|------------------|---------------|-----------|----------------|--------------------|-------------|
|                | Paper & carton   | Metal (steel) | Aluminium | Plastics & PET | Glass (returnable) | Glass (new) |
| Dry            | 0,40             | 0,50          | 0,35      | 0,30           | 0,47               | 0,35        |
| Water          | n.a.             | 0,35          | 0,30      | 0,25           | 0,31               | 0,30        |
| W&s & Dry lube | n.a.             | 0,20          | 0,15      | 0,15           | 0,21               | 0,15        |
| Oil            | n.a.             | 0,20          | n.a.      | n.a.           | n.a.               | n.a.        |

### Friction Factors Between Material and Product

| Lubrication    | Wearstrip Material |              |                 |
|----------------|--------------------|--------------|-----------------|
|                | Stainless steel    | UHMW-PE & PA | <i>BluLub</i> ® |
| Dry            | n.a.               | 0,35         | 0,32            |
| Water          | 0,40               | 0,27         | 0,24            |
| W&s & Dry lube | 0,20               | 0,18         | 0,15            |
| Oil            | 0,20               | 0,18         | 0,15            |

#### Note

Material properties and performance of final product are subject to variation according to operating conditions, e.g. environmental conditions, chemicals, cleanliness.

SSE



Materials

**Description**

**Specially treated Ferritic Stainless Steel (1.4589)**  
for improved working-load and less friction.

**General information**

| Material                | Chemical abbreviation | Allowable application temperatures |     |     |         |     |     | FDA Approval |
|-------------------------|-----------------------|------------------------------------|-----|-----|---------|-----|-----|--------------|
|                         |                       | Fahrenheit                         |     |     | Celsius |     |     |              |
|                         |                       | Min                                | Max |     | Min     | Max |     |              |
|                         |                       |                                    | Dry | Wet |         | Dry | Wet |              |
| Special Stainless Steel | 1.4589                | -22                                | 750 | 265 | -30     | 400 | 130 | -            |

**Friction Factors Between Material and Product**

| Lubrication    | Product Material |               |           |                |                    |             |
|----------------|------------------|---------------|-----------|----------------|--------------------|-------------|
|                | Paper & carton   | Metal (steel) | Aluminium | Plastics & PET | Glass (returnable) | Glass (new) |
| Dry            | 0,38             | 0,48          | 0,33      | 0,29           | 0,45               | 0,33        |
| Water          | n.a.             | 0,33          | 0,29      | 0,24           | 0,29               | 0,29        |
| W&s & Dry lube | n.a.             | 0,19          | 0,14      | 0,14           | 0,20               | 0,14        |
| Oil            | n.a.             | 0,19          | n.a.      | n.a.           | n.a.               | n.a.        |

**Friction Factors Between Material and Product**

| Lubrication    | Wearstrip Material |              |                 |
|----------------|--------------------|--------------|-----------------|
|                | Stainless steel    | UHMW-PE & PA | <i>BluLub</i> ® |
| Dry            | n.a.               | 0,33         | 0,30            |
| Water          | 0,38               | 0,26         | 0,23            |
| W&s & Dry lube | 0,19               | 0,17         | 0,14            |
| Oil            | 0,19               | 0,17         | 0,14            |

**Note**

Material properties and performance of final product are subject to variation according to operating conditions, e.g. environmental conditions, chemicals, cleanliness.

## SSM



## Description

**Specially treated Ferritic SS (1.4589)**  
with optimized surface finish for superior sliding properties. For High-Speed and more critical applications.

Materials

## General information

| Material                  | Chemical abbreviation | Allowable application temperatures |     |     |         |     |     | FDA Approval |
|---------------------------|-----------------------|------------------------------------|-----|-----|---------|-----|-----|--------------|
|                           |                       | Fahrenheit                         |     |     | Celsius |     |     |              |
|                           |                       | Min                                | Max |     | Min     | Max |     |              |
|                           |                       |                                    | Dry | Wet |         | Dry | Wet |              |
| Max Speed Stainless Steel | 1.4589                | -22                                | 750 | 265 | -30     | 400 | 130 | -            |

## Friction Factors Between Material and Product

| Lubrication    | Product Material |               |           |                |                    |             |
|----------------|------------------|---------------|-----------|----------------|--------------------|-------------|
|                | Paper & carton   | Metal (steel) | Aluminium | Plastics & PET | Glass (returnable) | Glass (new) |
| Dry            | 0,34             | 0,43          | 0,30      | 0,26           | 0,40               | 0,30        |
| Water          | n.a.             | 0,30          | 0,26      | 0,21           | 0,26               | 0,26        |
| W&s & Dry lube | n.a.             | 0,17          | 0,13      | 0,13           | 0,18               | 0,13        |
| Oil            | n.a.             | 0,17          | n.a.      | n.a.           | n.a.               | n.a.        |

## Friction Factors Between Material and Product

| Lubrication    | Wearstrip Material |              |         |
|----------------|--------------------|--------------|---------|
|                | Stainless steel    | UHMW-PE & PA | BluLub® |
| Dry            | n.a.               | 0,32         | 0,29    |
| Water          | 0,36               | 0,24         | 0,22    |
| W&s & Dry lube | 0,18               | 0,16         | 0,14    |
| Oil            | 0,18               | 0,16         | 0,14    |

## Note

Material properties and performance of final product are subject to variation according to operating conditions, e.g. environmental conditions, chemicals, cleanliness.



SSA



Materials

**Description**

Austenitic Stainless Steel with high resistance to corrosion and acid (AISI 304)  
for improved working-load and less friction.

**General information**

| Material                   | Chemical abbreviation | Allowable application temperatures |     |     |         |     |     | FDA Approval |
|----------------------------|-----------------------|------------------------------------|-----|-----|---------|-----|-----|--------------|
|                            |                       | Fahrenheit                         |     |     | Celsius |     |     |              |
|                            |                       | Min                                | Max |     | Min     | Max |     |              |
|                            |                       |                                    | Dry | Wet |         | Dry | Wet |              |
| Austenitic Stainless Steel | AISI 304              | -22                                | 750 | 265 | -30     | 400 | 130 | -            |

**Friction Factors Between Material and Product**

| Lubrication    | Product Material |               |           |                |                    |             |
|----------------|------------------|---------------|-----------|----------------|--------------------|-------------|
|                | Paper & carton   | Metal (steel) | Aluminium | Plastics & PET | Glass (returnable) | Glass (new) |
| Dry            | 0,43             | 0,38          | 0,34      | 0,30           | 0,33               | 0,33        |
| Water          | n.a.             | 0,30          | 0,27      | 0,21           | 0,29               | 0,29        |
| W&s & Dry lube | n.a.             | 0,15          | 0,14      | 0,14           | 0,15               | 0,15        |
| Oil            | n.a.             | n.a.          | n.a.      | n.a.           | n.a.               | n.a.        |

**Friction Factors Between Material and Product**

| Lubrication    | Wearstrip Material |              |         |
|----------------|--------------------|--------------|---------|
|                | Stainless steel    | UHMW-PE & PA | BluLub® |
| Dry            | 0,40               | 0,30         | 0,30    |
| Water          | 0,35               | 0,22         | 0,22    |
| W&s & Dry lube | 0,15               | 0,15         | 0,15    |
| Oil            | 0,15               | 0,10         | 0,10    |

**Note**

Material properties and performance of final product are subject to variation according to operating conditions, e.g. environmental conditions, chemicals, cleanliness.

## PA



### Description

#### PA Polyamide composite

The high crystallinity of this material gives it excellent mechanical properties such as high abrasion, high wear resistance as well as good hardness and stiffness.

**Primary Component:** Polyamide (PA)

**Screws:** Stainless steel

**Nuts:** Zinc plated steel

Materials

### General information

| Material  | Chemical abbreviation | Allowable application temperatures |     |      |         |     |      | FDA Approval |
|-----------|-----------------------|------------------------------------|-----|------|---------|-----|------|--------------|
|           |                       | Fahrenheit                         |     |      | Celsius |     |      |              |
|           |                       | Min                                | Max |      | Min     | Max |      |              |
|           |                       |                                    | Dry | Wet  |         | Dry | Wet  |              |
| Polyamide | PA                    | -40                                | 221 | N.R. | -40     | 105 | N.R. | YES          |

**Note:** Material properties and performance of final product are subject to variation according to operating conditions, e.g. environmental conditions, chemicals, cleanliness.

## Reinforced PA



### Description

#### PA Polyamide reinforced

High quality polyamide specifically developed for injection molding, glass fiber reinforced.

**Primary Component:** Polyamide (PA)

**Screws:** Stainless steel

**Nuts:** Nickel plated brass

Materials

### General information

| Material             | Chemical abbreviation | Allowable application temperatures |     |     |         |     |     | FDA Approval |
|----------------------|-----------------------|------------------------------------|-----|-----|---------|-----|-----|--------------|
|                      |                       | Fahrenheit                         |     |     | Celsius |     |     |              |
|                      |                       | Min                                | Max |     | Min     | Max |     |              |
|                      |                       |                                    | Dry | Wet |         | Dry | Wet |              |
| Polyamide Reinforced | PA                    | -4                                 | 248 | 248 | -20     | 120 | 120 | -            |

**Note:** Material properties and performance of final product are subject to variation according to operating conditions, e.g. environmental conditions, chemicals, cleanliness.

# **Movex®**

This catalogue presents and includes the latest generations of products shown in earlier publications and it relates to the current production.

Other information, which may be different from that contained in this catalogue has to be considered invalid.

**Movex® S.p.A.** reserves the right to carry out modifications rendered necessary by the technical evolution of the products.

© Copyright **Movex® S.p.A.** 2022

The contents of this catalogue are the copyright of **Movex® S.p.A.** and may not be reproduced (even extracts) unless written permission is granted.

Every care has been taken to ensure the accuracy of the information contained in this publication but no liability can be accepted for any error or omissions.

Catalogue N° M999512\_V1

The digital version of this catalogue  
is available on:

**[www.movexii.com](http://www.movexii.com)**



## **Movex S.p.A.**

### **Headquarter**

Viale Industria, 22  
24060 Castelli Calepio (BG)

### **Logistics Center**

Via della Repubblica, 21/E  
24060 Castelli Calepio (BG)

P +39 035 8359711  
info@movexii.com  
www.movexii.com

## **Movex around the world**

### **Movex GmbH**

P +49-6204-9375-0

### **Movex Brasil Ltda**

P +55-15-3141-2550

### **Movex France**

P +39-335-8085980

### **Movex AG India**

P +91-120-4159660-62

### **Movex Russia**

P +7 (495) 925-88-56

### **Movex UK Ltd.**

P +44-77-20678442

### **Movex Nederland**

P +31-630-994850

### **Movex USA Inc.**

P +1-919-274-5477

### **Movex SA de CV**

P +52-1-3318458187

### **Movex CIS countries**

P +380-667507756



**movexii.com**